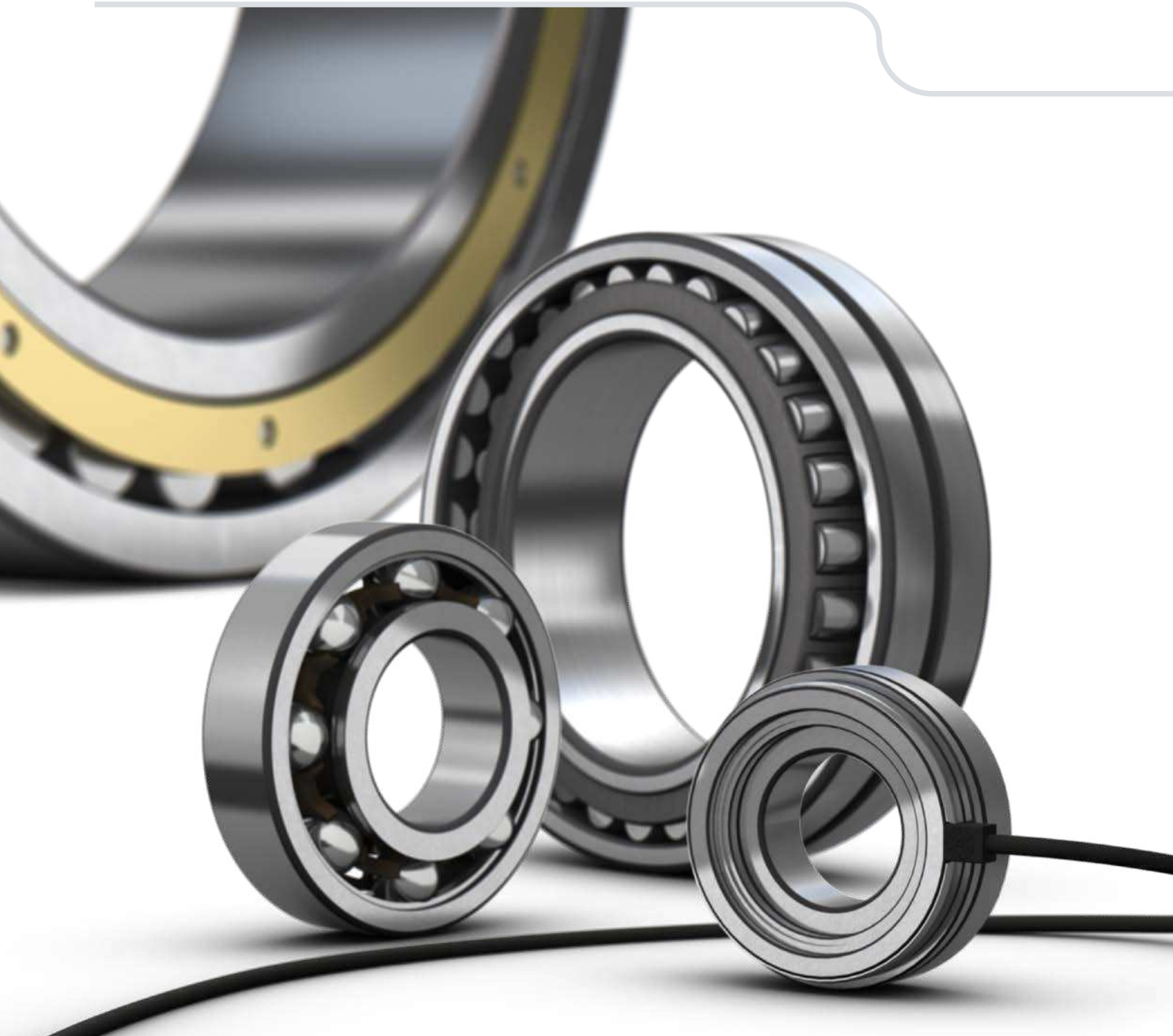
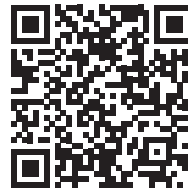


Rolling bearings



SKF mobile apps

SKF mobile apps are available from both Apple App Store and Google Play. These apps provide useful information and allow you to make critical calculations, providing SKF Knowledge Engineering at your fingertips.



Apple App Store

To download a PDF document of this catalogue and for information about important updates, go to skf.com/go/17000. Please note product data in this printed catalogue was accurate on the day of printing. The latest and most accurate product data is always available for you on skf.com.



Google Play

skf.com

© SKF, Duoflex, CARB, ICOS, INSOCOAT, KMT, KMTA, Monoflex, Multiflex, NoWear, SensorMount, SKF Explorer, SYSTEM 24 and Wave are registered trademarks of the SKF Group.

AMP Superseal 1.6 Series is a trademark of the TE connectivity family of companies .

Apple is a trademark of Apple Inc., registered in the US and other countries.

Google Play is a trademark of Google Inc.

© SKF Group 2018

The contents of this publication are the copyright of the publisher and may not be reproduced (even extracts) unless prior written permission is granted. Every care has been taken to ensure the accuracy of the information contained in this publication but no liability can be accepted for any loss or damage whether direct, indirect or consequential arising out of the use of the information contained herein.

PUB BU/P1 17000 EN · June 2018

Rolling bearings

Contents

Unit conversions	6	B.3 Bearing size	85
Foreword	7	Size selection based on rating life	88
What is new in this edition	8	Size selection based on static load	104
Catalogue information and how to use it	10	Requisite minimum load	106
Units of measurement	11	Checklist after the bearing size is determined	106
Rotating equipment performance	12	SKF life testing	107
SKF Care	13	B.4 Lubrication	109
		Selecting grease or oil	110
		Selecting a suitable grease	116
		Selecting a suitable oil	120
		SKF bearing grease selection chart	124
		Technical specifications for SKF greases	126
		B.5 Operating temperature and speed	129
		Thermal equilibrium	131
		Bearing friction, power loss and starting torque	132
		Estimating bearing operating temperature	133
		Speed limitations	135
		B.6 Bearing interfaces	139
		The ISO tolerance system	140
		Selecting fits	140
		Tolerances for bearing seats and abutments	144
		Surface texture of bearing seats	147
		Seat tolerances for standard conditions	148
		Tolerances and resultant fits	153
		Provisions for mounting and dismounting	176
		Axial location of bearing rings	178
		Radially free mounted bearings for axial load	179
		Raceways on shafts and in housings	179
		B.7 Bearing execution	181
		Selecting internal clearance or preload	182
		Bearing tolerance class	187
		Cages	187
		Integral sealing	189
		Additional options	189
		B.8 Sealing, mounting and dismounting	193
		External sealing	194
		Mounting and dismounting	199
		Inspection and monitoring	211
Principles of rolling bearing selection	15		
General bearing knowledge	17		
A.1 Bearing basics	19		
Why rolling bearings?	20		
Terminology	22		
Components and materials	24		
Internal clearance	26		
Heat and surface treatment	27		
Standardized boundary dimensions	28		
Basic bearing designation system	29		
A.2 Tolerances	35		
Tolerance values	36		
Tolerance symbols	36		
Diameter series identification	37		
Chamfer dimensions	37		
Rounding values	55		
A.3 Storage	57		
Bearing selection process	59		
Bearing selection process, introduction	60		
B.1 Performance and operating conditions	65		
B.2 Bearing type and arrangement	69		
Arrangements and their bearing types	70		
Selection criteria	77		

Bearing selection examples	215	5 Thrust ball bearings	465
C.1 Vibrating screen	216	Designs and variants	467
C.2 Rope sheave	222	Bearing data	469
C.3 Centrifugal pump	228	Loads	469
		Temperature limits	470
		Permissible speed	470
		Mounting	470
		Designation system	471
		Product tables	472
Product data	237	6 Cylindrical roller bearings	493
 		Designs and variants	496
Ball bearings		Bearing data	504
1 Deep groove ball bearings	239	Loads	509
Designs and variants	241	Temperature limits	511
Bearing data	250	Permissible speed	511
Loads	254	Design considerations	512
Temperature limits	256	Mounting	512
Permissible speed	256	Designation system	514
Designation system	258	Product tables	516
Product tables	260		
2 Insert bearings (Y-bearings)	339	7 Needle roller bearings	581
Designs and variants	341	Designs and variants	583
Lubrication	348	Bearing data	598
Bearing data	350	Loads	606
Loads	353	Temperature limits	608
Temperature limits	355	Permissible speed	608
Permissible speed	355	Design considerations	609
Design considerations	356	Mounting	611
Mounting and dismounting	359	Designation system	612
Designation system	364	Product tables	614
Product tables	366	8 Tapered roller bearings	665
3 Angular contact ball bearings	383	Designs and variants	669
Designs and variants	385	Bearing data	676
Bearing data	392	Loads	680
Loads	398	Temperature limits	685
Temperature limits	402	Permissible speed	686
Permissible speed	402	Design considerations	687
Design considerations	403	Mounting	690
Designation system	404	Bearing designations	691
Product tables	406	Designation system	692
4 Self-aligning ball bearings	437	Product tables	694
Designs and variants	439	9 Spherical roller bearings	773
Bearing data	443	Designs and variants	775
Loads	445	Bearing data	781
Temperature limits	445	Loads	784
Permissible speed	446	Temperature limits	785
Design considerations	446	Permissible speed	785
Mounting	447	Design considerations	786
Designation system	449	Mounting	788
Product tables	450	Designation system	790
		Product tables	792

10 CARB toroidal roller bearings	841	15 Support rollers	943
Designs and variants	844	Designs and variants	945
Bearing data	846	Lubrication	947
Loads	849	Bearing data	948
Temperature limits	850	Loads	949
Permissible speed	850	Temperature limits	950
Design considerations	850	Speed limits	950
Mounting	853	Design considerations	950
Designation system	855	Mounting	951
Product tables	856	Designation system	952
		Product tables	954
11 Cylindrical roller thrust bearings	877	16 Cam followers	963
Designs and variants	879	Designs and variants	965
Bearing data	881	Accessories	968
Loads	884	Lubrication	971
Temperature limits	884	Bearing data	972
Permissible speed	884	Loads	973
Design considerations	885	Temperature limits	974
Designation system	886	Speed limits	974
Product table	888	Design considerations	974
		Mounting	975
12 Needle roller thrust bearings	895	Designation system	976
Designs and variants	896	Product table	978
Bearing data	899		
Loads	902		
Temperature limits	902		
Permissible speed	902		
Design considerations	903		
Designation system	904		
Product tables	906		
13 Spherical roller thrust bearings	913		
Designs and variants	915		
Bearing data	916		
Loads	917		
Temperature limits	918		
Permissible speed	918		
Design considerations	918		
Lubrication	919		
Mounting	920		
Designation system	921		
Product table	922		

Track rollers

14 Cam rollers	931
Designs and variants	933
Bearing data	934
Loads	935
Temperature limits	936
Speed limits	936
Design considerations	936
Designation system	937
Product tables	938

Engineered products

17 Sensor bearing units	987
Motor encoder units	988
Roller encoder units	996
Rotor positioning sensor bearing units	998
Rotor positioning bearings	1000
Product table	1002
18 High temperature bearings	1005
Deep groove ball bearings for high temperature applications	1008
Insert bearings for high temperature applications	1010
Bearing data	1011
Loads and selecting bearing size	1012
Design considerations	1013
Relubrication and running in	1014
Mounting	1014
Designation system	1014
Product tables	1016
19 Bearings with Solid Oil	1023
Designs and variants	1025
Bearing data	1025
Loads	1026
Temperature limits	1026
Speed limits	1026
Friction characteristics	1027
Mounting	1027
Designation system	1027

20	INSOCOAT bearings	1029
	Designs and variants	1031
	Bearing data	1033
	Loads	1034
	Temperature limits	1034
	Permissible speed	1034
	Design considerations	1035
	Mounting	1035
	Designation system	1035
	Product tables	1036
21	Hybrid bearings	1043
	Designs and variants	1045
	Bearing data	1047
	Loads	1048
	Temperature limits	1048
	Permissible speed	1048
	Designation system	1049
	Product tables	1050
22	NoWear coated bearings	1059
	Designs and variants	1061
	Bearing data	1062
	Bearing service life	1062
	Loads	1062
	Temperature limits	1062
	Permissible speed	1062
	Lubrication	1062
	Designation system	1062

Bearing accessories

23	Adapter sleeves	1065
	Designs and variants	1067
	Product data	1070
	Designation system	1071
	Product tables	1072
24	Withdrawal sleeves	1087
25	Lock nuts	1089
	Designs and variants	1090
	Product data	1098
	Installation and removal	1100
	Designation system	1103
	Product tables	1104

Indexes

Text index	1120
Product index	1136

Unit conversions

Quantity	Unit	Conversion			
Length	inch	1 mm	0.03937 in	1 in	25,4 mm
	foot	1 m	3.281 ft	1 ft	0,3048 m
	yard	1 m	1.094 yd	1 yd	0,9144 m
	mile	1 km	0.6214 mi	1 mi	1,609 km
Area	square inch	1 mm ²	0.00155 in ²	1 in ²	645,16 mm ²
	square foot	1 m ²	10.76 ft ²	1 ft ²	0,0929 m ²
Volume	cubic inch	1 cm ³	0.061 in ³	1 in ³	16,387 cm ³
	cubic foot	1 m ³	35 ft ³	1 ft ³	0,02832 m ³
	imperial gallon	1 l	0.22 gallon	1 gallon	4,5461 l
	US gallon	1 l	0.2642 US gallon	1 US gallon	3,7854 l
Speed, velocity	foot per second	1 m/s	3.28 ft/s	1 ft/s	0,3048 m/s
	mile per hour	1 km/h	0.6214 mph	1 mph	1,609 km/h
Mass	ounce	1 g	0.03527 oz	1 oz	28,35 g
	pound	1 kg	2.205 lb	1 lb	0,45359 kg
	short ton	1 tonne	1.1023 short ton	1 short ton	0,90719 tonne
	long ton	1 tonne	0.9842 long ton	1 long ton	1,0161 tonne
Density	pound per cubic inch	1 g/cm ³	0.0361 lb/in ³	1 lb/in ³	27,68 g/cm ³
Force	pound-force	1 N	0.225 lbf	1 lbf	4,4482 N
Pressure, stress	pounds per square inch	1 MPa	145 psi	1 psi	6,8948 × 10 ³ Pa
		1 N/mm ²	145 psi		
		1 bar	14.5 psi	1 psi	0,068948 bar
Moment	pound-force inch	1 Nm	8.85 lbf-in	1 lbf-in	0,113 Nm
Power	foot-pound per second	1 W	0.7376 ft-lb/s	1 ft-lb/s	1,3558 W
	horsepower	1 kW	1.36 hp	1 hp	0,736 kW
Temperature	degree	Celsius	$t_c = 0.555 (t_f - 32)$	Fahrenheit	$t_f = 1,8 t_c + 32$

Foreword

This catalogue contains detailed information on SKF rolling bearings that are typically used in industrial applications. It also includes information on engineered products such as:

- motor encoder units, which measure rotation speed and direction
- rolling bearings designed to withstand extreme temperatures
- bearings with electrical insulation
- bearings with balls or rollers made from ceramic materials

Products presented in this catalogue are available worldwide through SKF sales channels. For information about lead times and deliveries, contact your local SKF representative or SKF Authorized Distributor.

The complete assortment of SKF rolling bearings is much larger than what is presented in this catalogue. Visit [skf.com](https://www.skf.com) or contact SKF to learn more about rolling bearings, including:

- super-precision bearings
- ball and roller bearing units
- fixed section ball bearings
- large deep groove ball bearings with filling slots
- large angular contact thrust ball bearings
- tapered roller thrust bearings
- multi-row ball or roller bearings
- split roller bearings
- crossed tapered roller bearings
- slewing bearings
- linear ball bearings
- bearings for inline skates and skateboards

- backing bearings for cluster mills
- indexing roller units for continuous furnaces of sintering plants
- application specific bearings for railway rolling stock
- application specific bearings for cars and trucks
- triple ring bearings for the pulp and paper industry
- bearings for printing press rollers
- bearings for critical aerospace applications

The information in this catalogue reflects SKF's state-of-the-art technology and production capabilities as of 2018. The information herein may differ from that shown in earlier catalogues because of redesign, technological developments, or revised calculation methods. SKF reserves the right to continually improve its products with respect to materials, design and manufacturing methods, some of which are driven by technological developments.

SKF Explorer bearings

SKF Explorer rolling bearings accommodate higher load levels and provide extended service life. Optimized internal geometry reduces friction, wear and heat generation, allowing heavier loads to be accommodated. Their advanced surface finish reduces friction and enhances lubricating conditions.

Benefits of using SKF Explorer bearings include:

- significantly extended service life
- increased uptime and productivity
- extended lubricant life
- reduced sensitivity to misalignment
- reduced noise and vibration
- the prospect of downsizing applications

SKF Explorer bearings are shown coloured blue in the product tables.

What is new in this edition









The four main differences in this edition of the SKF catalogue *Rolling bearings*, compared to the previous, are described below.

1. The bearing selection process

When selecting bearings for any purpose, ultimately you want to be certain of achieving the required level of equipment performance – and at the lowest possible cost. In addition to the bearing rating life, there are other key factors you must consider when putting together the bearing specifications for an application. The bearing selection process helps to evaluate these key factors.



Go to section B, [page 60](#), to learn more about bearing selection.

-  Performance and operating conditions
-  Bearing type and arrangement
-  Bearing size
-  Lubrication
-  Operating temperature and speed
-  Bearing interfaces
-  Bearing execution
-  Sealing, mounting and dismounting

2. Popular items

Popular items are marked in the product tables with the symbol ▶. Bearings marked as popular items are of sizes that SKF produces for many customers and are usually in stock. They have a high level of availability and generally provide a cost-effective solution.

3. Streamlined content and easy online access

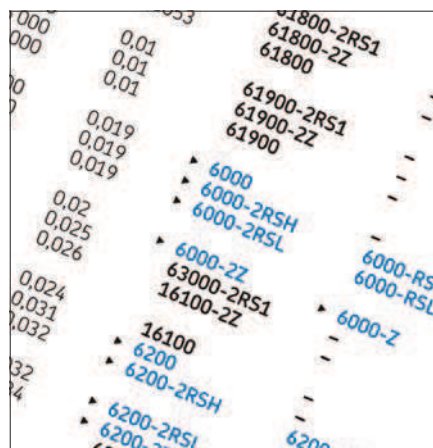
This catalogue contains information on rolling bearings commonly used in industrial applications. To reduce the volume of the book and make it more manageable, we have excluded less common bearing types and sizes, though you can readily find these in our online product information.

Short URLs in the product sections provide direct access to related online information.

1	-	0,15	HJ 207 EC	0,033
1	-	0,15	-	-
1	0,6	0,2	-	-
1	-	0,2	-	-
1	-	0,2	-	-
1,5	1	0,15	HJ 307 EC	0,058
1,5	1	0,12	-	-
1,5	-	0,15	HJ 307 EC	0,058
1,5	-	0,15	-	-

Product data online → skf.com/go/17000-6-1

Short URLs in the product sections provide direct access to related online information.



A triangle indicates popular items. They have a high level of availability and generally provide a cost-effective solution.

4. Important product updates

Tapered roller bearings

Tapered roller bearings with an outside diameter up to 600 mm have been redesigned. These new bearings have an increased dynamic load rating, and most of the range is available as SKF Explorer bearings. A consolidated catalogue assortment and a simplified designation system provide a clear view of what is available.



Angular contact ball bearings with 25° contact angle

These new bearings have a raceway geometry optimized for high speeds and reduced sensitivity to axial loading and misalignment. They can increase robustness when used as the backup bearing in sets that are predominantly loaded in one direction.



Upgraded INSOCOAT bearings

INSOCOAT bearings feature electrical insulation on either the inner or outer ring. The upgraded coating provides higher Ohmic resistance, including high Ohmic resistance even in a humid environment, and higher breakdown voltage.



Spherical roller bearings for wind energy applications

Spherical roller bearings for wind energy applications are designed explicitly for wind turbine main shafts. They have an optimized internal geometry with large diameter rollers and increased contact angle for increased axial load carrying capacity.

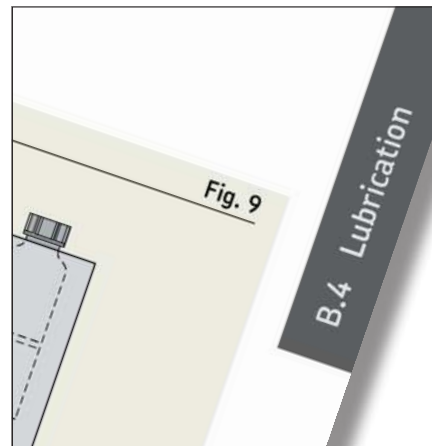


Catalogue information and how to use it

This catalogue is divided into three parts:

Principles of rolling bearing selection

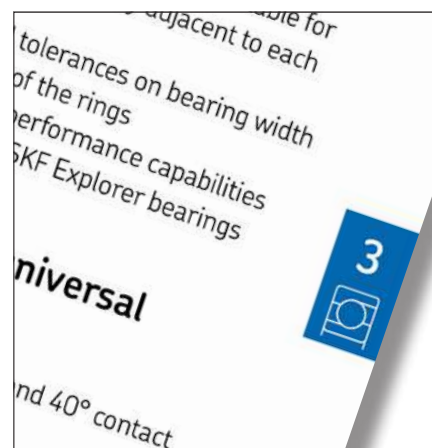
This part is marked by grey bars at the page edge. It provides general information about rolling bearings (section **A**), explains the bearing selection process (section **B**), and presents three examples on how to apply the bearing selection process for various applications (section **C**).



Grey bars mark the three sections under Principles of rolling bearing selection.

Product data

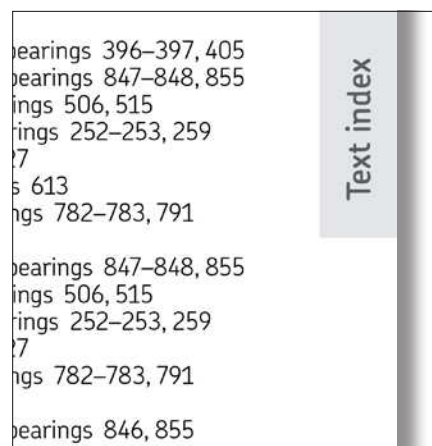
The part is divided into sections per bearing type. Each product section is marked by blue tabs containing the section number and a descriptive icon.



Sections by bearing type are marked with blue tabs including section number and an icon.

Indexes

The product index and text index are marked with grey bars. The product index lists series designations, relates them to the bearing type, and guides you to the relevant product section and product table. The text index lists entries in alphabetical order, including designation suffixes, and helps you locate specific information quickly.



Indexes are marked with grey bars.

Use case: Select a bearing for an application

If you are unsure whether you have adequate knowledge or experience to select a bearing that best suits your application requirements, you will probably find the *Bearing selection process*, [page 60](#), helpful.

If you are an experienced bearing expert, go directly to the section for the relevant bearing type, browse the product tables for the required size, and then look at additional details and information on more specific variants in the text part preceding the product tables.

Use case: Find details of a known bearing

The easiest way to find detailed information about a bearing for which you have the designation is to use the product index, [page 1136](#). Compare the initial characters in a bearing designation with the entries in the product index; each entry specifies the related bearing type, and the relevant product section and product table.

To understand the suffixes used in a bearing designation, go to the text index, [page 1120](#), locate the entry for the suffix and follow the reference to the relevant product section, where you can find detailed information.

Units of measurement

This catalogue is for global use. Therefore, the predominant units of measurement are in accordance with ISO 80000-1. Imperial units are used wherever necessary. Unit conversions can be made using the conversion table, [page 6](#).

For easier use, temperature values are provided in both °C and °F. Specified temperature values are typically rounded. Therefore, values obtained using conversion formulae may not exactly match those specified.

Rotating equipment performance

Every customer is different, with their own drivers and needs, and we have engineered a broad range of products and services to better serve all our customers. So whether you have a problem that needs solving, you want to digitalize your operations, or you want access to design advice, SKF has the right solution to help you get the most out of your rotating equipment.

What does it mean to you?

Performance looks different for every business. We are here to help our customers make choices that deliver against what performance means to them:

- **Improve output**
By working with SKF to optimise the performance of your rotating equipment you can increase availability, application speed and quality – all driving greater overall equipment effectiveness, and boosting output for your business.
- **Trim your total cost of ownership**
Poor performance doesn't just affect your output, it can cost you in energy, maintenance, spare parts, labour and more – all adding up to a greater TCO. SKF can help you achieve more reliable rotation, so you can reduce your total cost of ownership.
- **Realise your digital ambitions**
Make immediate and tangible progress towards your digitalization ambitions. SKF has the digital products, software, services and analytics capabilities to help you gain visibility of the health of your equipment and to turn data into performance-driving insight. Allowing your business to be more agile, deliver greater output, or optimise safety and sustainability.
- **Reduce reliance on scarce talent**
Work with us to bring rotating equipment expertise into your business, and you can reduce the time and cost burden of recruiting and retaining increasingly scarce and expensive maintenance and diagnostic skillsets.
- **Operate more safely**
Whether you want to ensure maximum operational safety, reduce hygiene incidents or navigate the minefield of EHSS regulations, SKF can help you drive operational safety, and a reduced incident rate will feed into your productivity too.

- **Be more sustainable**

SKF can work with you to reduce energy usage, waste output, spare parts consumption and more, helping you to deliver against your sustainability agenda, as well as saving on costs.

The way that works for you

It is not all about the technologies, services and solutions to meet your business needs. Every customer can have different commercial needs. As a result we have created innovative business models for delivering our rotating equipment performance solutions, which in themselves can contribute towards the performance that matters to your business.

Delivered through our distribution partners

Many of our distribution partners are now delivering greater value to their customers through maintenance, reliability and operations services powered by SKF digitalization capabilities. Find out how SKF Authorized

Distributors and SKF Certified Maintenance Partners could support you on this journey via our support network and services tailored for distributor enablement.

SKF Care

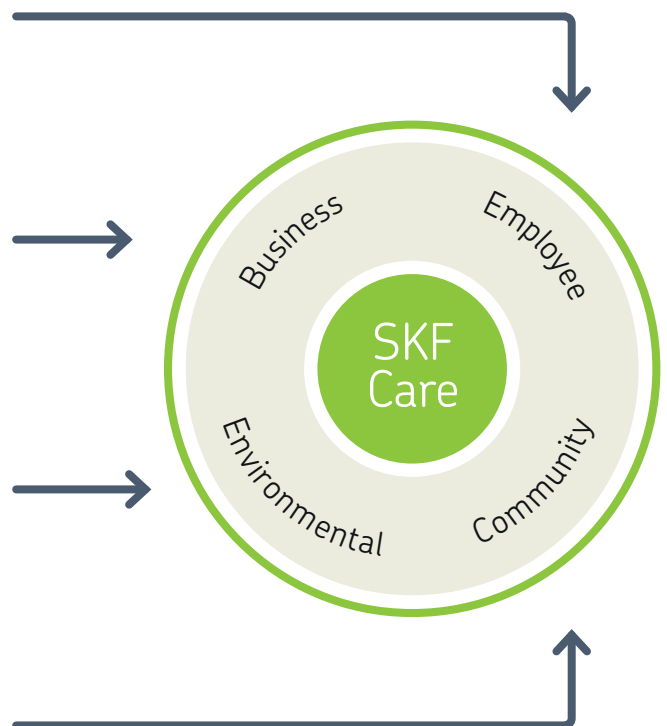
SKF Care is our definition of sustainability. The framework comprises four main perspectives that help us to create value for business partners, the environment, our employees, and the communities around us.

The employee perspective is about ensuring a safe working environment and promote health, education and well-being of employees at SKF and in the supply chain.

The business perspective is about customer focus, financial performance and returns for shareholders – with the highest standards of ethical behaviour.

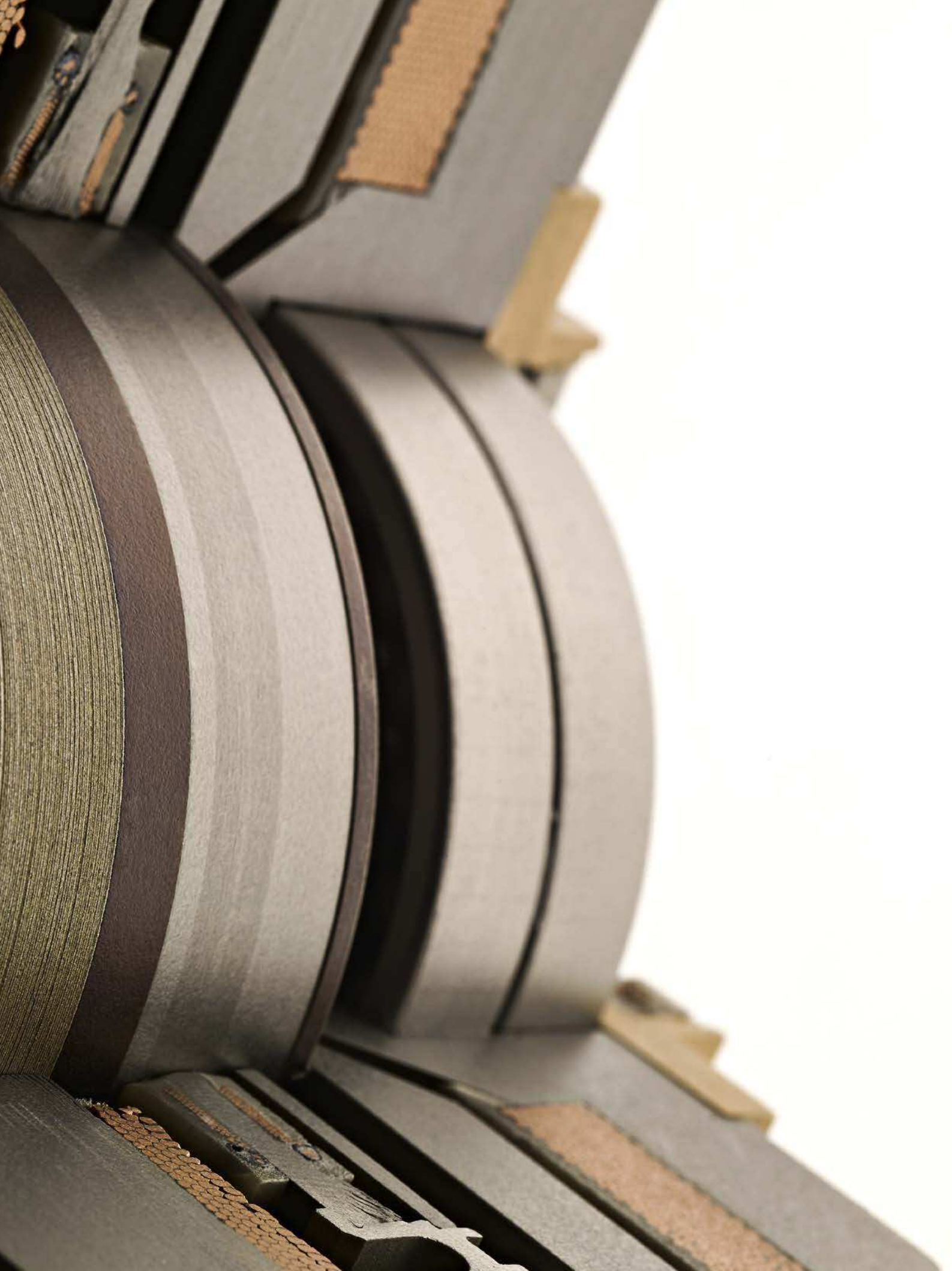
The environmental perspective is about continually reducing the environmental impact from the Group's operations, as well as actions to significantly improve customers' environmental performance through the products, solutions and services that SKF supplies.

The community perspective is about making positive contributions to the communities in which we operate and guides us to run our business in a way that supports positive development.



SKF BeyondZero

SKF BeyondZero is our mindset to integrate environmental concern into the way we do business. It includes actions to reduce the environmental impact resulting from SKF's operations and those of our suppliers, while at the same time providing customers with solutions to reduce the impact of their products or operations.



Principles of rolling bearing selection

A. General bearing knowledge	17
B. Bearing selection process	59
C. Bearing selection examples	215



General bearing
knowledge

General bearing knowledge

A.1 Bearing basics	19
A.2 Tolerances	35
A.3 Storage	57

This section provides general information that is valid for rolling bearings.

Bearing basics contains information that all readers should know. When you have read that section you will:

- know what rolling bearings are
- know about their components
- have a basic understanding about materials used for rolling bearings
- be familiar with the terminology
- understand the system of standardized boundary dimension
- be able to determine information about a bearing from its designation (part number)

Tolerances provides information that enables you to identify and determine the tolerances of practically every bearing presented here. This is possible because bearing tolerances are standardized internationally, predominantly by ISO. The individual product sections refer to the information in this section, where needed.

Storage provides advice on how to deal with SKF bearings and how to administer them while in storage.



Bearing basics

A.1 Bearing basics

Why rolling bearings?	20
Ball and roller bearings	20
Radial and thrust bearings	21
Terminology	22
Shaft-bearing-housing system	22
Radial bearings	23
Thrust bearings	23
Components and materials	24
Bearing rings	24
Rolling elements	24
Cages	25
Integral sealing	26
Internal clearance	26
Heat and surface treatment	27
Hardening	27
Dimensional stability	27
Surface treatment and coatings	27
Standardized boundary dimensions	28
Bearings with inch dimensions	28
Basic bearing designation system	29
Basic designations	31
Bearing series	31
Prefixes and suffixes	32
Bearing designations not covered by the basic system ...	32
Insert bearings	32
Needle roller bearings	32
Tapered roller bearings	32
Customized bearings	32
Other rolling bearings	32
Designation system	33

A.1 Bearing basics

Why rolling bearings?

Rolling bearings support and guide, with minimal friction (fig. 1), rotating or oscillating machine elements – such as shafts, axles or wheels – and transfer loads between machine components. Rolling bearings provide high precision and low friction and therefore enable high rotational speeds while reducing noise, heat, energy consumption and wear. They are cost-effective and exchangeable machine elements that typically follow national or international dimension standards.

Ball and roller bearings

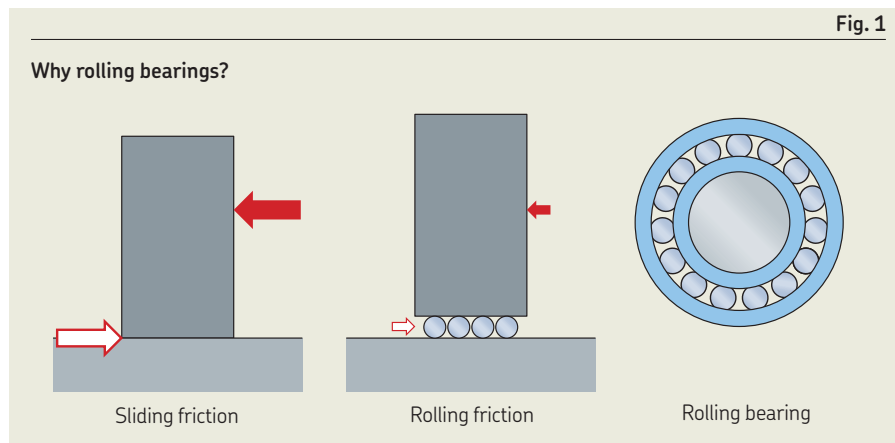
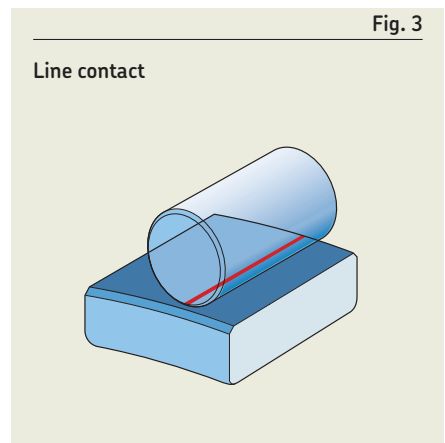
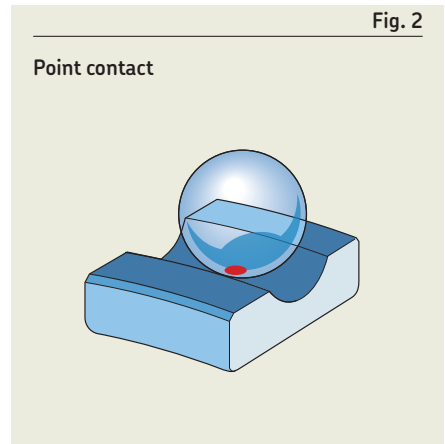
The two basic types of rolling element distinguish the two basic types of rolling bearing:

- ball → ball bearing
- roller → roller bearing

Balls and rollers are different in how they make contact with the raceways.

Balls make point contact with the ring raceways (fig. 2). With increasing load acting on the bearing, the contact point becomes an elliptical area. The small contact area provides low rolling friction, which enables ball bearings to accommodate high speeds but also limits their load-carrying capacity.

Rollers make line contact with the ring raceways (fig. 3). With increasing load acting on the bearing, the contact line becomes somewhat rectangular in shape. Because of the larger contact area and the consequently higher friction, a roller bearing can accommodate heavier loads, but lower speeds, than a same-sized ball bearing.



Radial and thrust bearings

Rolling bearings are classified into two groups based on the direction of the load they predominantly accommodate:

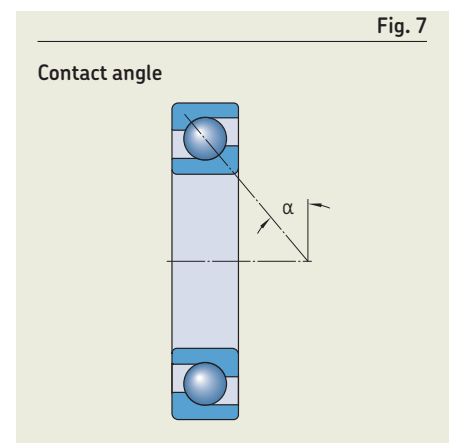
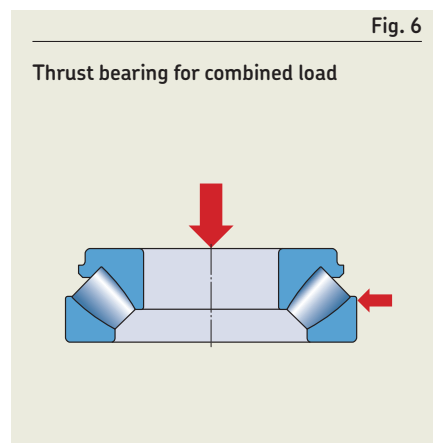
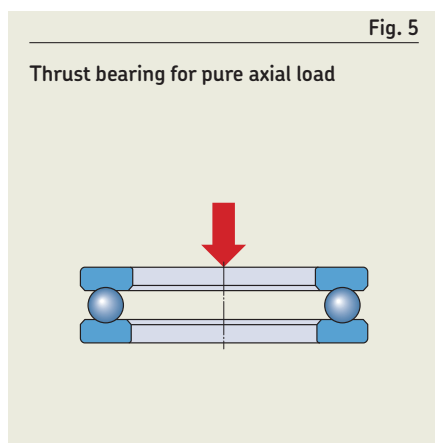
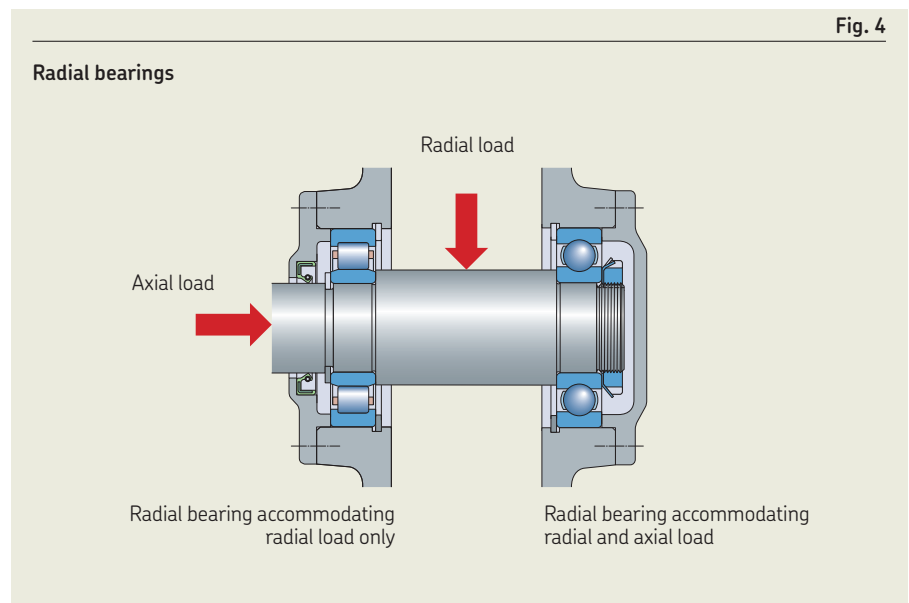
- **Radial bearings**

Radial bearings accommodate loads that are predominantly perpendicular to the shaft. Some radial bearings can support only pure radial loads, while most can additionally accommodate some axial loads in one direction and, in some cases, both directions (fig. 4).

- **Thrust bearings**

Thrust bearings accommodate loads that act predominantly along the axis of the shaft. Depending on their design, thrust bearings may support pure axial loads in one or both directions (fig. 5), and some can additionally accommodate radial loads (combined loads, fig. 6). Thrust bearings cannot accommodate speeds as high as same-sized radial bearings.

The contact angle (fig. 7) determines which group the bearing belongs to. Bearings with a contact angle $\leq 45^\circ$ are radial bearings, the others are thrust bearings.



Terminology

Some frequently used bearing terms are explained here. For a detailed collection of bearing-specific terms and definitions, refer to ISO 5593 *Rolling bearings – Vocabulary*. Symbols used in this catalogue are mainly in accordance with ISO standards. The most common symbols are (fig. 8 and fig. 9):

- d** Bore diameter
- D** Outside diameter
- B** Bearing width
- H** Bearing height
- r** Chamfer dimension
- α** Contact angle

Shaft-bearing-housing system

(fig. 10)

- 1 Cylindrical roller bearing
- 2 Four-point contact ball bearing
- 3 Housing
- 4 Shaft
- 5 Shaft abutment shoulder
- 6 Shaft diameter
- 7 Shaft seat
- 8 End plate
- 9 Radial shaft seal
- 10 Seal wear ring
- 11 Housing bore diameter
- 12 Housing seat
- 13 Housing cover
- 14 Snap ring

Fig. 8

Symbols for boundary dimensions – radial bearings

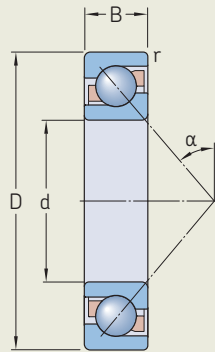


Fig. 9

Symbols for boundary dimensions – thrust bearings

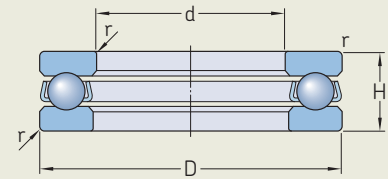
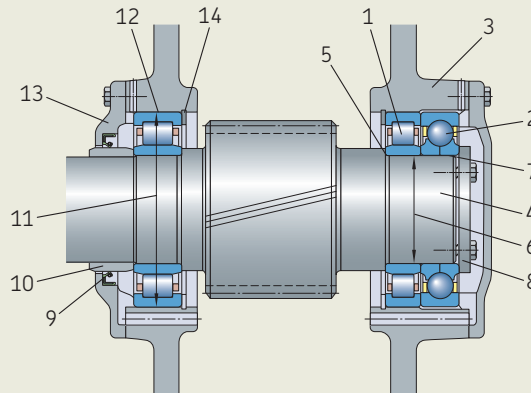


Fig. 10

Terminology – Shaft-bearing-housing system



Radial bearings

(fig. 11 and fig. 12)

- 1 Inner ring
- 2 Outer ring
- 3 Rolling element: ball, cylindrical roller, needle roller, tapered roller, spherical roller, or toroidal roller
- 4 Cage
- 5 Capping device
Seal – made of elastomer
Shield – made of sheet steel
- 6 Outer ring outside surface
- 7 Inner ring bore
- 8 Inner ring shoulder surface
- 9 Outer ring shoulder surface
- 10 Snap ring groove
- 11 Snap ring
- 12 Outer ring side face
- 13 Recess for capping device
- 14 Outer ring raceway
- 15 Inner ring raceway
- 16 Recess for capping device
- 17 Inner ring side face
- 18 Chamfer
- 19 Bearing pitch circle diameter
- 20 Total bearing width
- 21 Guide flange
- 22 Retaining flange
- 23 Contact angle

Thrust bearings

(fig. 13)

- 24 Shaft washer
- 25 Rolling element and cage assembly
- 26 Housing washer
- 27 Housing washer with a sphered seat surface
- 28 Seat washer

Fig. 11

Terminology – Radial bearing

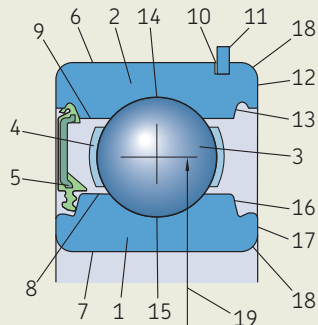


Fig. 12

Terminology – Radial bearing

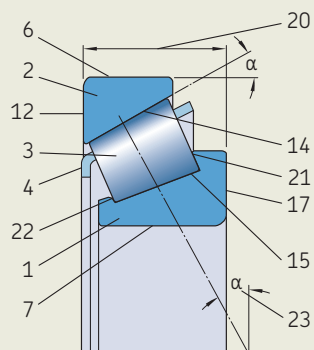
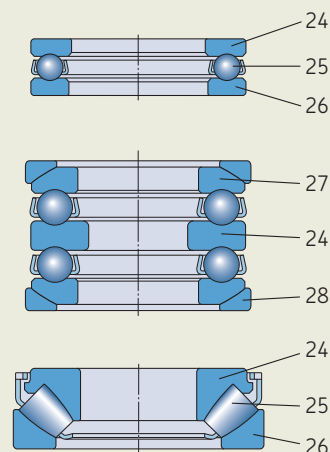


Fig. 13

Terminology – Thrust bearing



Components and materials

A typical rolling bearing consists of the following components (fig. 14):

- an inner ring
- an outer ring
- balls or rollers, as rolling elements
- a cage

SKF supplies several bearing types capped with a seal or shield on one or both sides. Bearings capped on both sides are factory-filled with grease. They provide an economic and space-saving solution compared to external sealing.

Bearing rings

The pressure at the rolling contact area and the cyclic overrolling creates fatigue in the bearing rings when the bearing is in operation. To cope with such fatigue, rings that are made of steel must be hardened.

The standard steel for bearing rings and washers is 100Cr6, a steel containing approximately 1% carbon and 1,5% chromium.

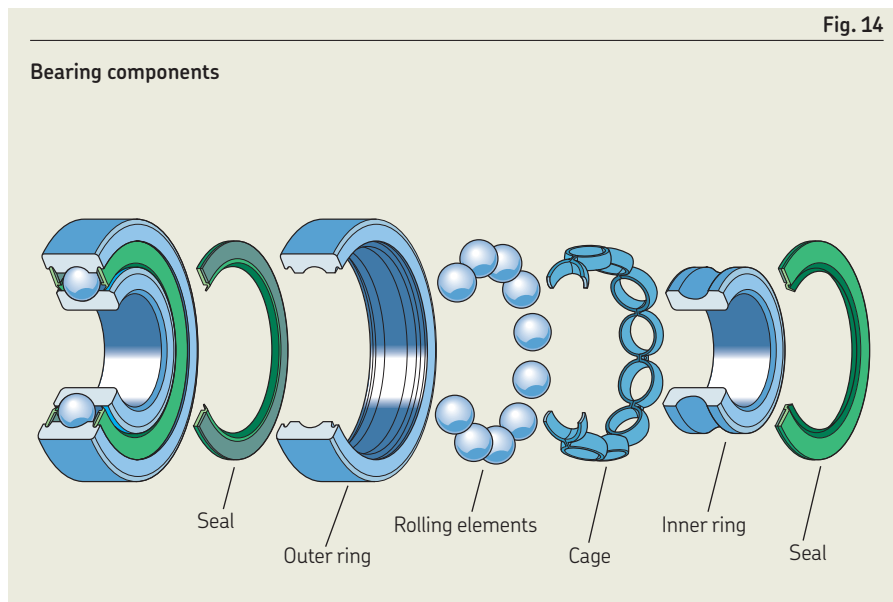
SKF bearing rings and washers are made of steel in accordance with SKF specifications. They cover all aspects that are relevant to providing a long service life for the bearing. Depending on specific requirements, SKF uses stainless steels or high-temperature steels.

Rolling elements

The rolling elements (balls or rollers) transfer the load between inner and outer rings.

Typically, the same steel is used for rolling elements as for bearing rings and washers. When required, rolling elements can be made of ceramic material. Bearings containing ceramic rolling elements are considered hybrid bearings and are becoming more and more common.

Fig. 14



Cages

The primary purposes of a cage are:

- separating the rolling elements to reduce the frictional heat generated in the bearing
- keeping the rolling elements evenly spaced to optimize load distribution
- guiding the rolling elements in the unloaded zone of the bearing
- retaining the rolling elements of separable bearings when one bearing ring is removed during mounting or dismounting

Cages are radially centred ([fig. 15](#)) either on:

- the rolling elements
- the inner ring
- the outer ring

Cages centred on the rolling elements permit the lubricant to enter the bearing easily. Ring centred cages, which provide more precise guidance, are typically used when bearings must accommodate high speeds, high vibration levels or inertia forces stemming from movements of the whole bearing.

The main cage types are:

- **Stamped metal cages ([fig. 16](#))**

Stamped metal cages (sheet steel or sometimes sheet brass) are lightweight and withstand high temperatures.

- **Machined metal cages ([fig. 17](#))**

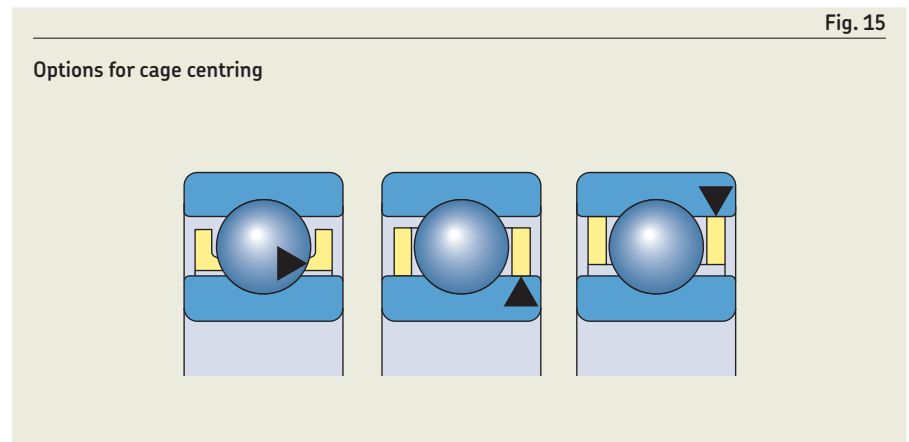
Machined metal cages are made of brass or sometimes steel or light alloy. They permit high speeds, temperatures, accelerations and vibrations.

- **Polymer cages ([fig. 18](#))**

Polymer cages are made of polyamide 66 (PA66), polyamide 46 (PA46) or sometimes polyetheretherketone (PEEK) or other polymer materials. The good sliding properties of polymer cages produce little friction and, therefore, permit high speeds. Under poor lubrication conditions, these cages reduce the risk of seizure and secondary damage because they can operate for some time with limited lubrication.

- **Pin-type cages ([fig. 19](#))**

Steel pin-type cages need pierced rollers and are only used together with large-sized roller bearings. These cages have relatively low weight and enable a large number of rollers to be incorporated.



Integral sealing

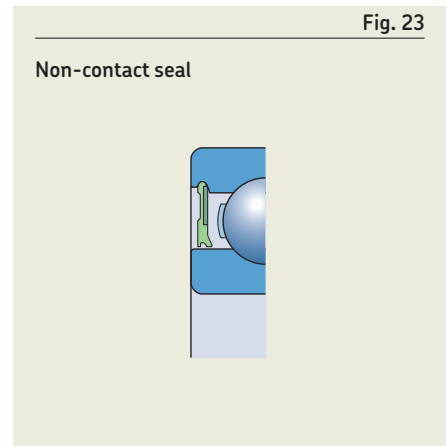
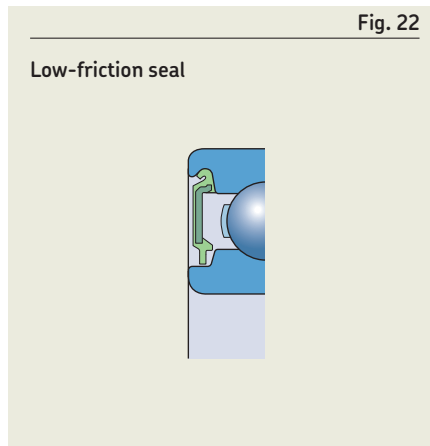
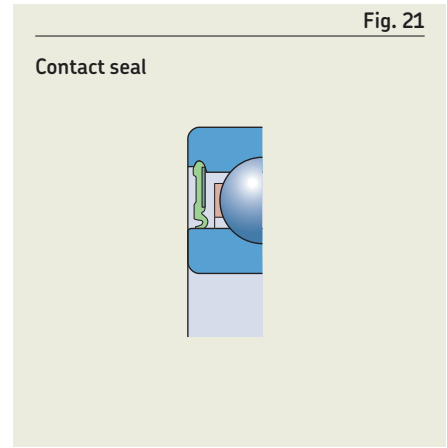
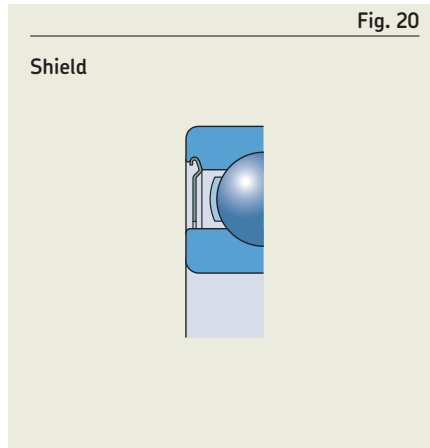
Integral sealing can significantly prolong bearing service life because it keeps lubricant in the bearing and contaminants out of it. SKF bearings are available with various capping devices:

- **Shields**

There is a small gap between the shield and inner ring. Bearings fitted with shields ([fig. 20](#)) are used where the operating conditions are relatively clean, or where low friction is important because of speed or operating temperature considerations.

- **Seals**

Bearings with seals are preferred for arrangements where contamination is moderate. Where the presence of water or moisture cannot be ruled out, contact seals ([fig. 21](#)) are typically used. These seals make positive contact with the sliding surface on one of the bearing rings. Low-friction seals ([fig. 22](#)) and non-contact seals ([fig. 23](#)) can accommodate the same speeds as bearings with shields, but with improved sealing effectiveness.



Internal clearance

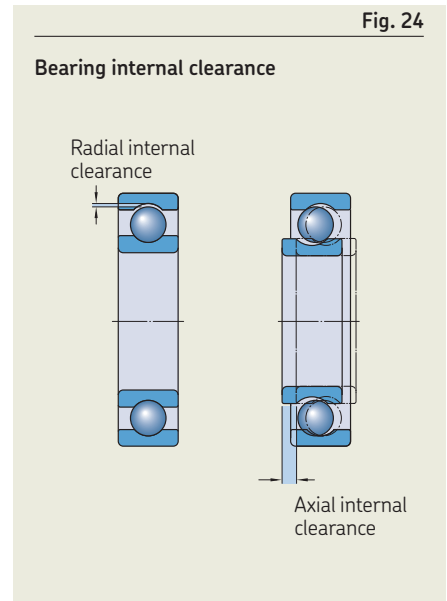
Bearing internal clearance ([fig. 24](#)) is defined as the total distance through which one bearing ring can be moved relative to the other in the radial direction (radial internal clearance) or in the axial direction (axial internal clearance).

In almost all applications, the initial clearance in a bearing is greater than its operating clearance. The difference is mainly caused by two effects:

- Bearings are typically mounted with an interference fit on the shaft or in the housing. The expansion of the inner ring or the compression of the outer ring reduces the internal clearance.
- Bearings generate heat in operation. Differential thermal expansion of the bearing and mating components influences the internal clearance.

Sufficient internal clearance in a bearing during operation is important. Preload (clearance below zero) is possible for certain bearing types.

To enable selection of the appropriate initial internal clearance to achieve the desired operational internal clearance, bearings are available in different clearance classes. ISO has established five clearance classes for many bearing types. SKF uses designation suffixes to indicate when the bearing internal clearance differs from Normal ([table 1](#)).



Heat and surface treatment

Rolling bearing rings and rolling elements must:

- be hard enough to cope with fatigue and plastic deformations
- be tough enough to cope with applied loads
- be sufficiently stable to experience only limited changes of dimensions over time

The required properties are achieved by heat and surface treatments.

Hardening

There are three typical hardening methods that may be applied to bearing components:

- **Through-hardening**
This is the standard method for most bearings and provides good fatigue and wear-resistance, as hardening is applied over the full cross section.
- **Induction-hardening**
Surface induction-hardening is used to selectively harden a component's raceway to limit rolling contact fatigue, leaving the remainder of the component unaffected to maintain structural strength.
- **Case-hardening**
Case-hardening provides hardness to the surface. It is used, for example, where bearing rings are subjected to high shock loads causing structural deformations.

Dimensional stability

Heat treatment is used to limit dimensional changes caused by metallurgical effects at extreme temperatures. There is a standardized classification system for dimensional stability (table 2). The various SKF bearing types are stabilized to different classes as standard.

Surface treatment and coatings

Coating is a well-established method for providing bearings with additional functional benefits to accommodate specific application conditions. Widely used coatings are zinc chromate and black oxide.

Two other methods developed by SKF have proven successful in many applications:

- INSOCOAT bearings are standard bearings that have the external surfaces of their inner or outer ring coated with an aluminium oxide layer. This coating increases resistance to electric current through the bearing.
- NoWear enhances wear-resistance of the raceway or rolling element surfaces. It can help the bearing withstand long periods of operation under poor lubrication conditions and to reduce the risk for low load damage.

Table 1

Internal clearance classes		
ISO clearance class	SKF designation suffix	Internal clearance
–	C1	Smaller than C2
Group 2	C2	Smaller than Normal
Group N	–	Normal
Group 3	C3	Greater than Normal
Group 4	C4	Greater than C3
Group 5	C5	Greater than C4

Table 2

Dimensional stability

Stabilization class	Stabilized up to	
	°C	°F
–		
SN	120	250
S0	150	300
S1	200	390
S2	250	480
S3	300	570
S4	350	660

Standardized boundary dimensions

Boundary dimensions are the main dimensions of a bearing (fig. 25 and fig. 26). They comprise:

- the bore diameter (d)
- the outside diameter (D)
- the width or height (B, C, T or H)
- the chamfer dimensions (r)

The boundary dimensions for metric bearings are standardized in the ISO (International Organization for Standardization) general plans:

- ISO 15 for radial rolling bearings, except insert bearings, some types of needle roller bearings and tapered roller bearings
- ISO 104 for thrust bearings
- ISO 355 for tapered roller bearings

Most rolling bearings follow ISO standard dimensions, which is a prerequisite to enable interchangeability.

The ISO general plan for radial bearings provides several series of standardized outside diameters for every standard bore diameter. They are called diameter series and are numbered 7, 8, 9, 0, 1, 2, 3 and 4 (in order of increasing outside diameter). Within each diameter series, different width series exist (width series 8, 0, 1, 2, 3, 4, 5 and 6 in order of increasing width). The diameter series 0, 2 and 3, combined with width series 0, 1, 2 and 3, are shown in fig. 27.

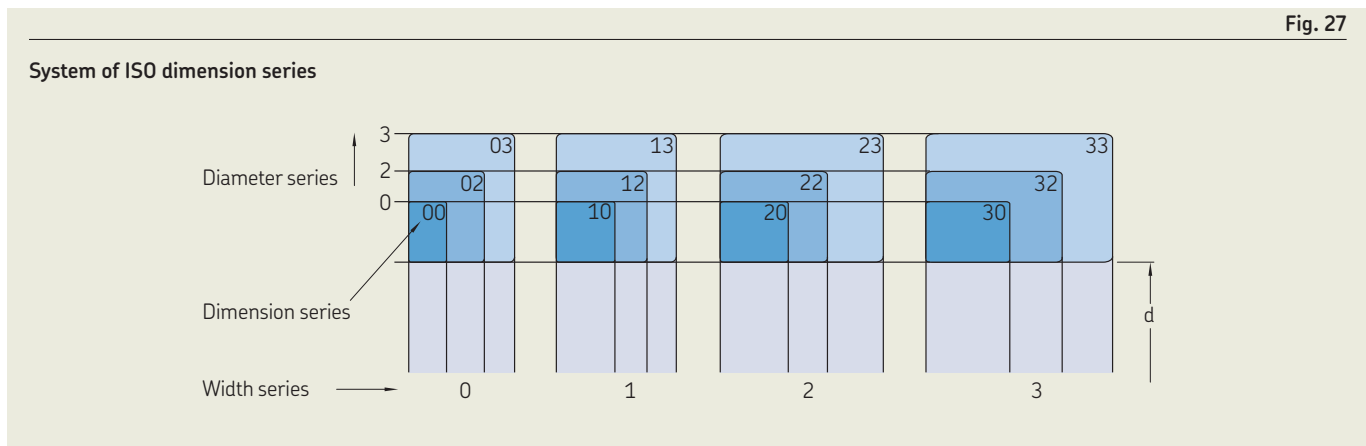
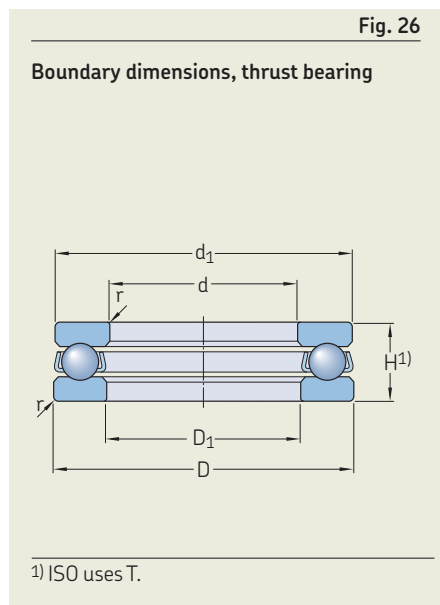
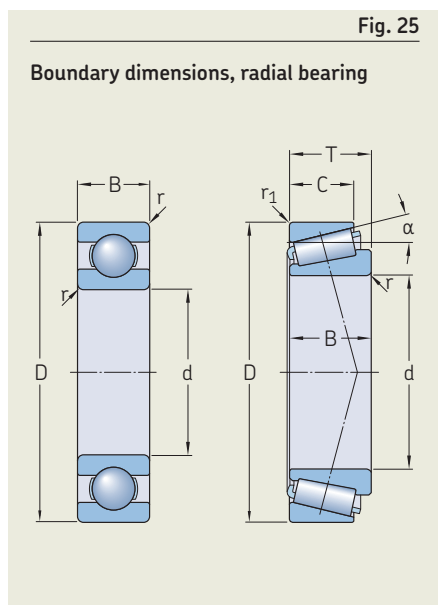
For thrust bearings, height series are used instead of width series. Height series are numbered 7, 9, 1 and 2.

Bearings to ISO general plans have the same boundary dimensions when they share the same bore diameter and dimension series (table 3). If not, they have different boundary dimensions.

Bearings with inch dimensions

In addition to the bearings in accordance with ISO dimensions, SKF has a comprehensive assortment of bearings with inch dimensions following American and British standards.

A.1 Bearing basics



Basic bearing designation system

The designations of most SKF rolling bearings follow a designation system. The complete bearing designation may consist of a basic designation with or without one or more supplementary prefixes and suffixes ([diagram 1](#)). The basic designation identifies:

- the bearing type
- the basic design
- the boundary dimensions

Prefixes and suffixes identify design features or bearing components.

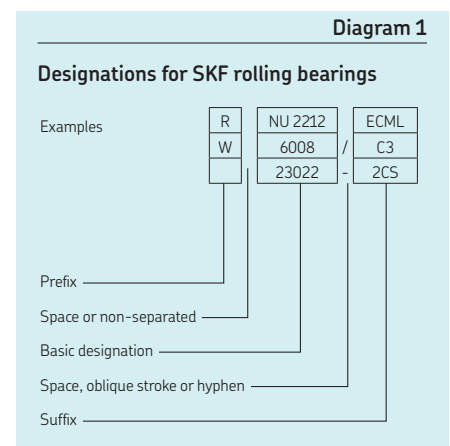


Table 3

Examples of boundary dimensions

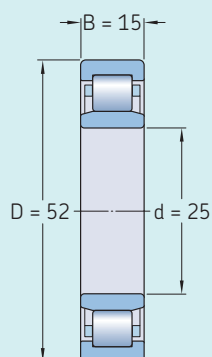
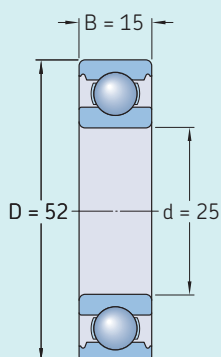
Same bore diameter and dimension series

Deep groove ball bearing
6205

Cylindrical roller bearing
NU 205

Dimension series 02

Dimension series 02



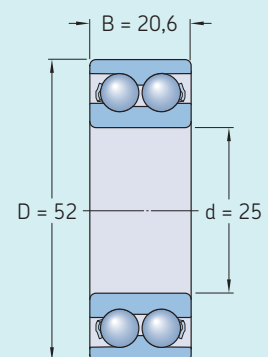
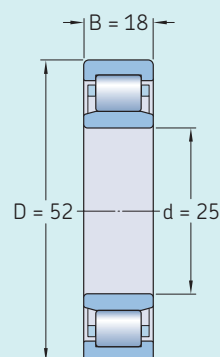
Same bore diameter, but different dimension series

Cylindrical roller bearing
NU 2205 ECP

Angular contact ball bearing
3205 A

Dimension series 22

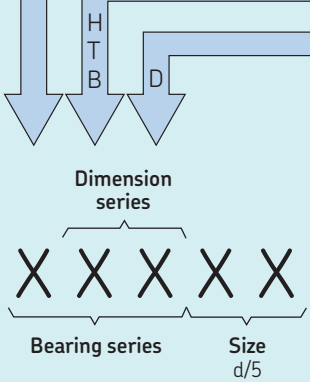
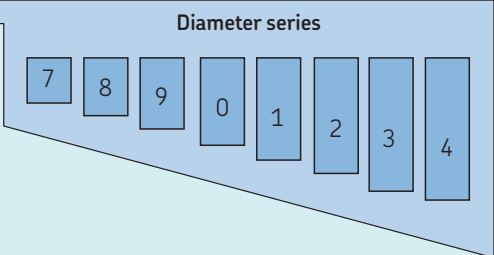
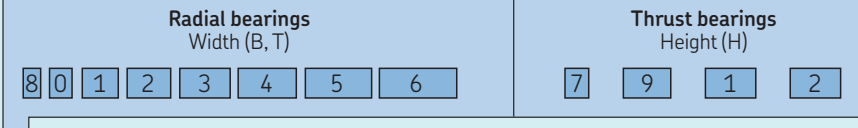
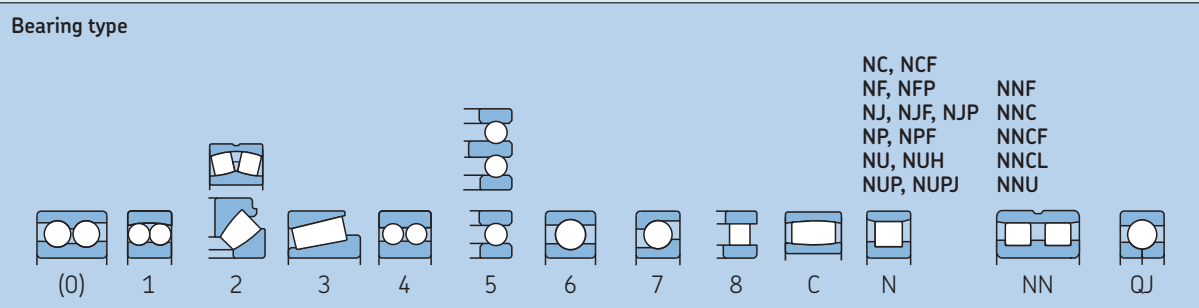
Dimension series 32



Basic designation system for SKF standard metric ball and roller bearings

Bearing series

						6(0)4												
						544	623					(0)4						
			223			524	6(0)3					33						
			213			543	622					23						
			232			523	6(0)2					(0)3						
			222			542	630					23	22					
			241			522	6(1)0					32	12					
			231				16(0)0					22	(0)2					
			240	323		534	639					41	31				41	
			230	313		514	619					31	30				31	
			249	303		533	609					60	20				60	
			139	239	332	513	638	7(0)4	814	50	10	50	10				50	
			130	248	322	532	628	7(0)3	894	40	39	40	39				40	23
			(1)23	238	302	512	618	7(0)2	874	30	29	30	29				30	(0)3
			1(0)3		331	511	608	7(1)0	813	69	19	69	19				69	12
			(1)22	294	330	510	637	719	893	59	38	49	38				49	(0)2
		(0)33	1(0)2	293	320	4(2)3	591	627	718	812	49	28	39	28			39	10
		(0)32	1(1)0	292	329	4(2)2	590	617	708	811	39	18	48	18			48	19



Code	Bearing type	Code	Bearing type	Code	Bearing type
0	Double row angular contact ball bearing	7	Single row angular contact ball bearing	QJ	Four-point contact ball bearing
1	Self-aligning ball bearing	8	Cylindrical roller thrust bearing	T	Tapered roller bearing in accordance with ISO 355
2	Spherical roller bearing, spherical roller thrust bearing	C	CARB toroidal roller bearing		
3	Tapered roller bearing	N	Cylindrical roller bearing. Two or more letters are used to identify the number of the rows or the configuration of the flanges, e.g. NJ, NU, NUP, NN, NNU, NNCF		
4	Double row deep groove ball bearing				
5	Thrust ball bearing				
6	Single row deep groove ball bearing				

A.1 Bearing basics

Basic designations

A basic designation typically contains three to five digits. The basic designation system is shown in [table 4](#). The number and letter combinations have the following meaning:

- The first digit or letter or combination of letters identifies the bearing type and eventually a basic variant.
- The following two digits identify the ISO dimension series. The first digit indicates the width or height series (dimensions B, T or H). The second digit identifies the diameter series (dimension D).
- The last two digits of the basic designation identify the size code of the bearing bore. The size code multiplied by 5 gives the bore diameter (d) in mm.

The most important exceptions in the basic bearing designation system are:

- 1 In a few cases the digit for the bearing type or the first digit of the dimension series identification is omitted. These digits are shown in brackets in [table 4](#).
- 2 Bearings with a bore diameter of 10, 12, 15 or 17 mm have the following size code identifications:
 - 00 = 10 mm
 - 01 = 12 mm
 - 02 = 15 mm
 - 03 = 17 mm
- 3 For bearings with a bore diameter < 10 mm, or ≥ 500 mm, the bore diameter is generally given in millimetres (uncoded). The size identification is separated from the rest of the bearing designation by an oblique stroke, e.g. 618/8 (d = 8 mm) or 511/530 (d = 530 mm). This is also true for standard bearings in accordance with ISO 15 that have a bore diameter of 22, 28 or 32 mm, e.g. 62/22 (d = 22 mm).

- 4 For some bearings with a bore diameter < 10 mm, such as deep groove, self-aligning and angular contact ball bearings, the bore diameter is also given in millimetres (uncoded) but is not separated from the series designation by an oblique stroke, e.g. 629 or 129 (d = 9 mm).
- 5 Bore diameters that deviate from the standard bore diameter of a bearing are uncoded and given in millimetres up to three decimal places. This bore diameter identification is part of the basic designation and is separated by an oblique stroke, e.g. 6202/15.875 (d = 15,875 mm = 5/8 in).

Bearing series

Bearing series designations consist of an identification for the bearing type and the dimension series. The most common series designations are shown in [table 4](#). The digits in brackets belong to the system, but are not used in the series designation in practice.

Prefixes and suffixes

The designations of most SKF rolling bearings follow a system that consists of a basic designation with or without one or more prefixes and/or suffixes, as shown in [diagram 2](#).

Prefixes and suffixes provide additional information about the bearing.

Prefixes are mainly used to identify components of a bearing. They can also identify bearing variants.

Suffixes identify designs or variants, which differ in some way from the original design or from the current basic design. The suffixes are divided into groups. When more than one special feature is to be identified, suffixes are provided in the order shown in [diagram 2](#).

Details of the significance of specific prefixes and suffixes are given in the relevant product sections.

Bearing designations not covered by the basic system

Insert bearings

The designations for insert bearings differ somewhat from those described in the basic designation system and are described under *Insert bearings*, [page 339](#).

Needle roller bearings

The designations for needle roller bearings do not fully follow the basic designation system and are described under *Needle roller bearings*, [page 581](#).

Tapered roller bearings

The designations for metric tapered roller bearings follow either the basic designation system or a designation system, established by ISO in 1977, covered in ISO 355. Inch tapered roller bearings are designated in accordance with the relevant ANSI/ABMA standard. The designation system is explained under *Tapered roller bearings*, [page 665](#).

Customized bearings

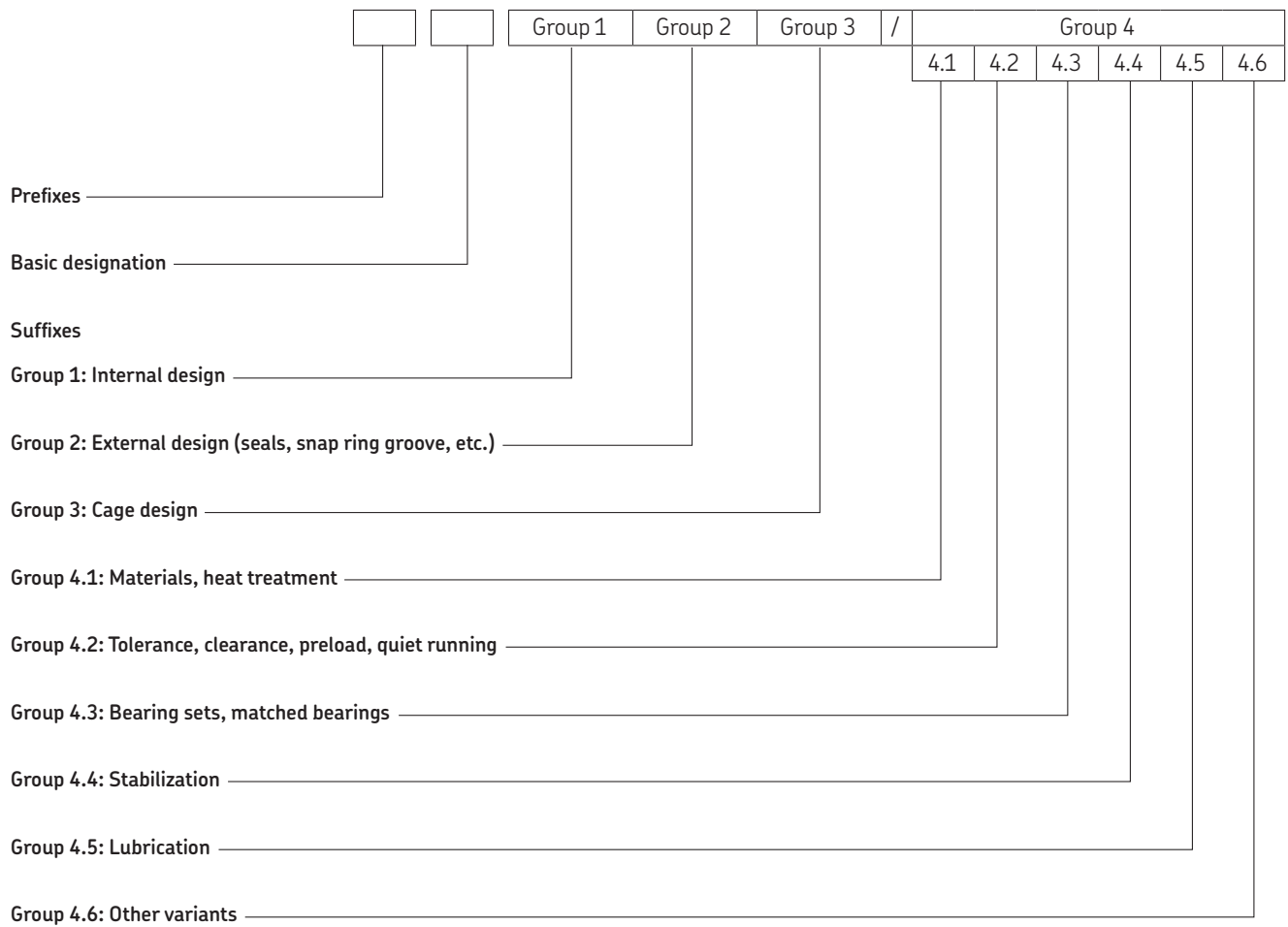
Bearings designed to meet a specific customer requirement are typically designated by a drawing number. The drawing number does not provide any information about the bearing.

Other rolling bearings

Rolling bearings not covered in the ball bearings and roller bearings sections, such as super-precision bearings, thin section bearings, slewing bearings or linear bearings, follow designation systems that can differ significantly from the basic designation system.

Diagram 2

Designation system





Tolerances

A.2 Tolerances

Tolerance values	36
Tolerance symbols	36
Diameter series identification	37
Chamfer dimensions	37
Minimum chamfer dimensions	37
Maximum chamfer dimensions	37
Rounding values	55
Shoulder diameters	55
Load and speed ratings and fatigue load limits	55
Masses	55
Temperatures	55

A.2 Tolerances

Tolerance classes and the corresponding values for certain tolerance characteristics are specified in ISO 492 (for radial bearings) and ISO 199 (for thrust bearings). In 2014 these standards were aligned with general ISO GPS (Geometrical Product Specification) standards such as ISO 1101 and ISO 5459. For additional information on ISO 492 and ISO 199, and the changes that have been made to their previous editions, refer to the SKF e-learning platform (skf.com/go/17000-learnGPS).

There are three common tolerance classes for SKF ball and roller bearings ([table 1](#)).

The product sections for the various bearing types provide information on compliance with applicable tolerance classes. The tolerance class of a bearing cannot always be determined from its designation suffixes. Where the tolerance class is standard for the bearing, it is not specified in the designation suffixes.

For information about SKF bearings that have a tolerance class better than class 5, refer to the SKF catalogue *Super-precision bearings* or skf.com/super-precision.

Tolerance values

Actual tolerance values are listed in the following tables.

Metric radial bearings, except tapered roller bearings:

- Normal tolerances ([table 2, page 38](#))
- P6 class tolerances ([table 3, page 39](#))
- P5 class tolerances ([table 4, page 40](#))

Metric tapered roller bearings:

- Normal and CL7C class tolerances ([table 5, page 41](#))
- CLN class tolerances ([table 6, page 42](#))
- P5 class tolerances ([table 7, page 43](#))

Inch radial bearings, except tapered roller bearings:

- Normal tolerances ([table 8, page 44](#))

Inch tapered roller bearings:

- Normal, CL2, CL3 and CLO class tolerances ([table 9, page 45](#))

Thrust bearings:

- Normal, P6 and P5 class tolerances ([table 10, page 46](#))

Tapered bore, taper 1:12:

- Normal, P6 and P5 class tolerances ([table 11, page 47](#))

Tapered bore, taper 1:30:

- Normal tolerances ([table 12, page 48](#))

Where standardized, the values are in accordance with ISO 492, ISO 199 and ANSI/ABMA Std. 19.2.

Tolerance symbols

The tolerance symbols that we use are in line with ISO 492 and ISO 199 and are explained in [table 13, page 49](#). The symbols normally refer to dimensional tolerances, only Kia, Kea, Sd, SD, Sia and Sea refer to geometrical tolerances.

Table 1

Common tolerance classes for SKF ball and roller bearings

ISO tolerance class	SKF designation suffix	Description
Normal	–	Minimum standard for all SKF ball and roller bearings.
Class 6	P6	Tighter tolerances than Normal.
Class 5	P5	Tighter tolerances than class 6.

Diameter series identification

The bore and outside diameter variation tolerances t_{Vdsp} and t_{VDsp} for metric radial bearings (table 2, page 38, to table 4, page 40) vary depending on the diameter series to which the bearing belongs. To determine the diameter series, refer to table 14, page 52.

Chamfer dimensions

Minimum chamfer dimensions

Minimum chamfer dimensions (fig. 1) are listed in the product tables, for the radial (r_1 , r_3) and axial (r_2 , r_4) directions. For metric SKF bearings, these values are in accordance with the general plans listed in the following standards:

- ISO 15, ISO 12043 and ISO 12044 for radial bearings
- ISO 355 for radial tapered roller bearings
- ISO 104 for thrust bearings

Maximum chamfer dimensions

The maximum chamfer dimensions (fig. 1) for the radial (r_1 , r_3) and axial (r_2 , r_4) directions, appropriate to the respective minimum values and the bore or outside diameter, are listed in the following tables:

- Metric radial and thrust bearings, except radial tapered roller bearings (table 15, page 53)
- Metric radial tapered roller bearings (table 16, page 53)
- Inch tapered roller bearings (table 17, page 54)

The maximum chamfer dimensions for metric SKF bearings are in accordance with ISO 582.

Example

What is the largest radial and axial value ($r_{1\max}$ and $r_{2\max}$) for the chamfer of a 6211 deep groove ball bearing?

From the relevant product table,

$r_{1,2\min} = 1,5$ mm and $d = 55$ mm.

From table 15, with $r_{s\min} = 1,5$ mm and $d < 120$ mm, the largest radial value

$r_{1\max} = 2,3$ mm and the largest axial value $r_{2\max} = 4$ mm.

Fig. 1

Minimum and maximum chamfer dimensions

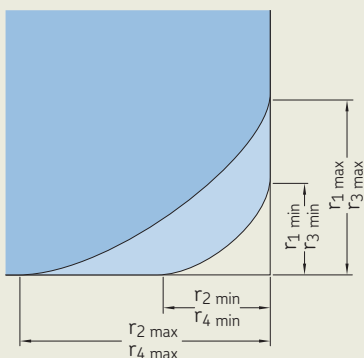


Table 2

Normal tolerances for radial bearings, except tapered roller bearings

Inner ring

d	> ≤	t _{Δdmp} ¹⁾		t _{VDsp} ¹⁾ Diameter series 7, 8, 9 ²⁾ 0, 1 2, 3, 4			t _{Vdmp}	t _{ΔBs} All U	Normal L	Modified ³⁾ L	t _{VBs}	t _{Kia}
		U	L	μm	μm	μm						
–	2,5	0	–8	10	8	6	6	0	–40	–	12	10
2,5	10	0	–8	10	8	6	6	0	–120	–250	15	10
10	18	0	–8	10	8	6	6	0	–120	–250	20	10
18	30	0	–10	13	10	8	8	0	–120	–250	20	13
30	50	0	–12	15	12	9	9	0	–120	–250	20	15
50	80	0	–15	19	19	11	11	0	–150	–380	25	20
80	120	0	–20	25	25	15	15	0	–200	–380	25	25
120	180	0	–25	31	31	19	19	0	–250	–500	30	30
180	250	0	–30	38	38	23	23	0	–300	–500	30	40
250	315	0	–35	44	44	26	26	0	–350	–500	35	50
315	400	0	–40	50	50	30	30	0	–400	–630	40	60
400	500	0	–45	56	56	34	34	0	–450	–	50	65
500	630	0	–50	63	63	38	38	0	–500	–	60	70
630	800	0	–75	–	–	–	–	0	–750	–	70	80
800	1 000	0	–100	–	–	–	–	0	–1 000	–	80	90
1 000	1 250	0	–125	–	–	–	–	0	–1 250	–	100	100
1 250	1 600	0	–160	–	–	–	–	0	–1 600	–	120	120
1 600	2 000	0	–200	–	–	–	–	0	–2 000	–	140	140

Outer ring

D	> ≤	t _{ΔDmp}		t _{VDsp} ⁴⁾ Open bearings Diameter series 7, 8, 9 ²⁾ 0, 1 2, 3, 4			Capped bearings ⁵⁾ 2, 3, 4	t _{VDmp} ⁴⁾	t _{ΔCs} , t _{VCs}	t _{Kea}
		U	L	μm	μm	μm				
2,5	18	0	–8	10	8	6	10	6	Identical to t _{ΔBs} and t _{VBs} of an inner ring of the same bearing as the outer ring	15
18	30	0	–9	12	9	7	12	7		15
30	50	0	–11	14	11	8	16	8		20
50	80	0	–13	16	13	10	20	10	25	
80	120	0	–15	19	19	11	26	11	35	
120	150	0	–18	23	23	14	30	14	40	
150	180	0	–25	31	31	19	38	19	45	
180	250	0	–30	38	38	23	–	23	50	
250	315	0	–35	44	44	26	–	26	60	
315	400	0	–40	50	50	30	–	30	70	
400	500	0	–45	56	56	34	–	34	80	
500	630	0	–50	63	63	38	–	38	100	
630	800	0	–75	94	94	55	–	55	120	
800	1 000	0	–100	125	125	75	–	75	140	
1 000	1 250	0	–125	–	–	–	–	–	160	
1 250	1 600	0	–160	–	–	–	–	–	190	
1 600	2 000	0	–200	–	–	–	–	–	220	
2 000	2 500	0	–250	–	–	–	–	–	250	

1) Tolerances for tapered bores (table 11, page 47 and table 12, page 48).

2) Diameter series 7 and 8 not covered by ISO 492.

3) Applies to inner rings and outer rings of bearings of matched bearing sets consisting of two or more bearings. Does not apply to universally matchable angular contact ball bearings.

4) Applies to bearings prior to mounting and after removal of internal or external snap ring.

5) Capped bearings are sealed or shielded bearings.

Table 3

P6 class tolerances for radial bearings, except tapered roller bearings

Inner ring

d	>	≤	$t_{\Delta dmp}^{1)}$		$t_{Vdsp}^{1)}$ Diameter series			t_{Vdmp}	$t_{\Delta Bs}$		t_{VBs}	t_{Kia}	
			U	L	7, 8, 9 ²⁾	0, 1	2, 3, 4		All	Normal			Modified ³⁾
mm			μm	μm	μm	μm	μm	μm	μm	μm	μm	μm	
–	2,5		0	–7	9	7	5	5	0	–40	–	12	5
2,5	10		0	–7	9	7	5	5	0	–120	–250	15	6
10	18		0	–7	9	7	5	5	0	–120	–250	20	7
18	30		0	–8	10	8	6	6	0	–120	–250	20	8
30	50		0	–10	13	10	8	8	0	–120	–250	20	10
50	80		0	–12	15	15	9	9	0	–150	–380	25	10
80	120		0	–15	19	19	11	11	0	–200	–380	25	13
120	180		0	–18	23	23	14	14	0	–250	–500	30	18
180	250		0	–22	28	28	17	17	0	–300	–500	30	20
250	315		0	–25	31	31	19	19	0	–350	–500	35	25
315	400		0	–30	38	38	23	23	0	–400	–630	40	30
400	500		0	–35	44	44	26	26	0	–450	–	45	35
500	630		0	–40	50	50	30	30	0	–500	–	50	40
630	800		0	–50	–	–	–	–	0	–750	–	60	45
800	1 000		0	–60	–	–	–	–	0	–1 000	–	60	50
1 000	1 250		0	–75	–	–	–	–	0	–1 250	–	70	60
1 250	1 600		0	–90	–	–	–	–	0	–1 600	–	70	70
1 600	2 000		0	–115	–	–	–	–	0	–2 000	–	80	80

Outer ring

D	>	≤	$t_{\Delta Dmp}$		$t_{VDsp}^{4)}$ Open bearings Diameter series			Capped bearings ⁵⁾	$t_{VDmp}^{4)}$	$t_{\Delta Cs}, t_{VCs}$	t_{Kea}
			U	L	7, 8, 9 ²⁾	0, 1	2, 3, 4				
mm			μm	μm	μm	μm	μm	μm	μm	μm	
2,5	18		0	–7	9	7	5	9	5	Identical to $t_{\Delta Bs}$ and t_{VBs} of an inner ring of the same bearing as the outer ring	8
18	30		0	–8	10	8	6	10	6		9
30	50		0	–9	11	9	7	13	7		10
50	80		0	–11	14	11	8	16	8		13
80	120		0	–13	16	16	10	20	10		18
120	150		0	–15	19	19	11	25	11		20
150	180		0	–18	23	23	14	30	14		23
180	250		0	–20	25	25	15	–	15		25
250	315		0	–25	31	31	19	–	19		30
315	400		0	–28	35	35	21	–	21		35
400	500		0	–33	41	41	25	–	25		40
500	630		0	–38	48	48	29	–	29		50
630	800		0	–45	56	56	34	–	34		60
800	1 000		0	–60	75	75	45	–	45		75
1 000	1 250		0	–75	–	–	–	–	–		85
1 250	1 600		0	–90	–	–	–	–	–		100
1 600	2 000		0	–115	–	–	–	–	–		100
2 000	2 500		0	–135	–	–	–	–	–		120

1) Tolerances for tapered bores (table 11, page 47).

2) Diameter series 7 and 8 not covered by ISO 492.

3) Applies to inner rings and outer rings of bearings of matched bearing sets consisting of two or more bearings. Does not apply to universally matchable angular contact ball bearings.

4) Applies to bearings prior to mounting and after removal of internal or external snap ring.

5) Capped bearings are sealed or shielded bearings.

Table 4

P5 class tolerances for radial bearings, except tapered roller bearings

Inner ring

d	> ≤	t _{ADmp} ¹⁾		t _{VDsp} ¹⁾ Diameter series 7, 8, 9 ²⁾		t _{VDmp}	t _{ABs} All U	Normal L	Modified ⁴⁾ L	t _{VBs}	t _{Kia}	t _{SD}	t _{Sea} ³⁾
		U	L	7, 8, 9 ²⁾	0, 1, 2, 3, 4								
mm		μm		μm		μm	μm			μm	μm	μm	μm
–	2,5	0	–5	5	4	3	0	–40	–250	5	4	7	7
2,5	10	0	–5	5	4	3	0	–40	–250	5	4	7	7
10	18	0	–5	5	4	3	0	–80	–250	5	4	7	7
18	30	0	–6	6	5	3	0	–120	–250	5	4	8	8
30	50	0	–8	8	6	4	0	–120	–250	5	5	8	8
50	80	0	–9	9	7	5	0	–150	–250	6	5	8	8
80	120	0	–10	10	8	5	0	–200	–380	7	6	9	9
120	180	0	–13	13	10	7	0	–250	–380	8	8	10	10
180	250	0	–15	15	12	8	0	–300	–500	10	10	11	13
250	315	0	–18	18	14	9	0	–350	–500	13	13	13	15
315	400	0	–23	23	18	12	0	–400	–630	15	15	15	20
400	500	0	–28	28	21	14	0	–450	–	18	17	18	23
500	630	0	–35	35	26	18	0	–500	–	20	19	20	25
630	800	0	–45	–	–	–	0	–750	–	26	22	26	30
800	1 000	0	–60	–	–	–	0	–1 000	–	32	26	32	30
1 000	1 250	0	–75	–	–	–	0	–1 250	–	38	30	38	30
1 250	1 600	0	–90	–	–	–	0	–1 600	–	45	35	45	30
1 600	2 000	0	–115	–	–	–	0	–2 000	–	55	40	55	30

Outer ring

D	> ≤	t _{ADmp}		t _{VDsp} ⁵⁾ Diameter series 7, 8, 9 ²⁾		t _{VDmp}	t _{ΔCs}	t _{VCs}	t _{Kea}	t _{SD} ⁶⁾	t _{Sea} ³⁾
		U	L	7, 8, 9 ²⁾	0, 1, 2, 3, 4						
mm		μm		μm		μm		μm	μm	μm	μm
2,5	18	0	–5	5	4	3	Identical to t _{ABs} of an inner ring of the same bearing as the outer ring	5	5	4	8
18	30	0	–6	6	5	3		5	6	4	8
30	50	0	–7	7	5	4		5	7	4	8
50	80	0	–9	9	7	5		6	8	4	10
80	120	0	–10	10	8	5		8	10	4,5	11
120	150	0	–11	11	8	6		8	11	5	13
150	180	0	–13	13	10	7		8	13	5	14
180	250	0	–15	15	11	8		10	15	5,5	15
250	315	0	–18	18	14	9		11	18	6,5	18
315	400	0	–20	20	15	10		13	20	6,5	20
400	500	0	–23	23	17	12		15	23	7,5	23
500	630	0	–28	28	21	14		18	25	9	25
630	800	0	–35	35	26	18		20	30	10	30
800	1 000	0	–50	50	29	25		25	35	12,5	–
1 000	1 250	0	–63	–	–	–		30	40	15	–
1 250	1 600	0	–80	–	–	–		35	45	17,5	–
1 600	2 000	0	–100	–	–	–		38	55	20	–
2 000	2 500	0	–125	–	–	–		45	65	25	–

1) Tolerances for tapered bores (table 11, page 47).

2) Diameter series 7 and 8 not covered by ISO 492.

3) Applies to groove ball bearings only, except for self-aligning ball bearings.

4) Applies to inner rings and outer rings of bearings of matched bearing sets consisting of two or more bearings. Does not apply to universally matchable angular contact ball bearings.

5) No values have been established for capped (sealed or shielded) bearings.

6) Tolerance values have become half the values in accordance with the revised ISO standard because SD is defined as perpendicularity of outer ring outside surface axis with respect to datum established from the outer ring face.

Table 5

Normal and CL7C class tolerances for metric tapered roller bearings

Inner ring, bearing width and ring widths

d		$t_{\Delta dmp}$		t_{Vdsp}	t_{Vdmp}	$t_{\Delta Bs}$		t_{Kia} Tolerance classes Normal CL7C ¹⁾		$t_{\Delta Ts}$		$t_{\Delta T1s}$		$t_{\Delta T2s}$	
		U	L			U	L	U	L	U	L	U	L	U	L
>	≤	μm		μm	μm	μm		μm		μm		μm		μm	
10	18	0	-12	12	9	0	-120	15	7	200	0	100	0	100	0
18	30	0	-12	12	9	0	-120	18	8	200	0	100	0	100	0
30	50	0	-12	12	9	0	-120	20	10	200	0	100	0	100	0
50	80	0	-15	15	11	0	-150	25	10	200	0	100	0	100	0
80	120	0	-20	20	15	0	-200	30	13	200	-200	100	-100	100	-100
120	180	0	-25	25	19	0	-250	35	-	350	-250	150	-150	200	-100
180	250	0	-30	30	23	0	-300	50	-	350	-250	150	-150	200	-100
250	315	0	-35	35	26	0	-350	60	-	350	-250	150	-150	200	-100
315	400	0	-40	40	30	0	-400	70	-	400	-400	200	-200	200	-200

Outer ring

D		$t_{\Delta Dmp}$		t_{VDsp}	t_{VDmp}	$t_{\Delta Cs}$		t_{Kea} Tolerance classes Normal CL7C ¹⁾	
		U	L			U	L	U	L
>	≤	μm		μm	μm	μm		μm	
18	30	0	-12	12	9	0	-120	18	9
30	50	0	-14	14	11	0	-120	20	10
50	80	0	-16	16	12	0	-150	25	13
80	120	0	-18	18	14	0	-200	35	18
120	150	0	-20	20	15	0	-250	40	20
150	180	0	-25	25	19	0	-250	45	23
180	250	0	-30	30	23	0	-300	50	-
250	315	0	-35	35	26	0	-350	60	-
315	400	0	-40	40	30	0	-400	70	-
400	500	0	-45	45	34	0	-450	80	-
500	630	0	-50	60	38	0	-500	100	-
630	800	0	-75	80	55	0	-750	120	-

¹⁾ Tolerances are not in accordance with any ISO tolerance class and are for high-performance design tapered roller bearings.

CLN class tolerances¹⁾ for metric tapered roller bearings

Inner ring, bearing width and ring widths

d	>	≤	t _{Δdmp}		t _{Vdsp}	t _{Vdmp}	t _{ΔBs}		t _{Kia}	t _{ΔTs}		t _{ΔT1s}		t _{ΔT2s}	
			U	L			U	L		U	L	U	L	U	L
mm			μm		μm	μm	μm		μm	μm		μm		μm	
10	18		0	-12	12	9	0	-50	15	100	0	50	0	50	0
18	30		0	-12	12	9	0	-50	18	100	0	50	0	50	0
30	50		0	-12	12	9	0	-50	20	100	0	50	0	50	0
50	80		0	-15	15	11	0	-50	25	100	0	50	0	50	0
80	120		0	-20	20	15	0	-50	30	100	0	50	0	50	0
120	180		0	-25	25	19	0	-50	35	150	0	50	0	100	0
180	250		0	-30	30	23	0	-50	50	150	0	50	0	100	0
250	315		0	-35	35	26	0	-50	60	200	0	100	0	100	0
315	400		0	-40	40	30	0	-50	70	200	0	100	0	100	0

Outer ring

D	>	≤	t _{ΔDmp}		t _{Vdsp}	t _{Vdmp}	t _{ΔCs}		t _{Kea}
			U	L			U	L	
mm			μm		μm	μm	μm		μm
18	30		0	-12	12	9	0	-100	18
30	50		0	-14	14	11	0	-100	20
50	80		0	-16	16	12	0	-100	25
80	120		0	-18	18	14	0	-100	35
120	150		0	-20	20	15	0	-100	40
150	180		0	-25	25	19	0	-100	45
180	250		0	-30	30	23	0	-100	50
250	315		0	-35	35	26	0	-100	60
315	400		0	-40	40	30	0	-100	70
400	500		0	-45	45	34	0	-100	80
500	630		0	-50	60	38	0	-100	100

¹⁾ Tolerance class CLN is in accordance with ISO tolerance class 6X.

Table 7

P5 class tolerances for metric tapered roller bearings

Inner ring and bearing width

d		$t_{\Delta dmp}$		t_{Vdsp}	t_{VDmp}	$t_{\Delta Bs}$		t_{Kia}	t_{Sd}	$t_{\Delta Ts}$		$t_{\Delta T1s}$		$t_{\Delta T2s}$	
		U	L			U	L			U	L	U	L	U	L
mm		μm		μm	μm	μm		μm	μm	μm		μm		μm	
10	18	0	-7	5	5	0	-200	5	7	+200	-200	+100	-100	+100	-100
18	30	0	-8	6	5	0	-200	5	8	+200	-200	+100	-100	+100	-100
30	50	0	-10	8	5	0	-240	6	8	+200	-200	+100	-100	+100	-100
50	80	0	-12	9	6	0	-300	7	8	+200	-200	+100	-100	+100	-100
80	120	0	-15	11	8	0	-400	8	9	+200	-200	+100	-100	+100	-100
120	180	0	-18	14	9	0	-500	11	10	+350	-250	+150	-150	+200	-100
180	250	0	-22	17	11	0	-600	13	11	+350	-250	+150	-150	+200	-100
250	315	0	-25	19	13	0	-700	13	13	+350	-250	+150	-150	+200	-100
315	400	0	-30	23	15	0	-800	15	15	+400	-400	+200	-200	+200	-200
400	500	0	-35	28	17	0	-900	20	17	+450	-450	+225	-225	+225	-225
500	630	0	-40	35	20	0	-1 100	25	20	+500	-500	-	-	-	-
630	800	0	-50	45	25	0	-1 600	30	25	+600	-600	-	-	-	-
800	1 000	0	-60	60	30	0	-2 000	37	30	+750	-750	-	-	-	-
1 000	1 250	0	-75	75	37	0	-2 000	45	40	+750	-750	-	-	-	-
1 250	1 600	0	-90	90	45	0	-2 000	55	50	+900	-900	-	-	-	-

Outer ring

D		$t_{\Delta Dmp}$		t_{VDsp}	t_{VDmp}	$t_{\Delta Cs}$	t_{Kea}	$t_{SD}^{1)}$
		U	L					
mm		μm		μm	μm		μm	μm
18	30	0	-8	6	5	Identical to $t_{\Delta Bs}$ of an inner ring of the same bearing as the outer ring	6	4
30	50	0	-9	7	5		7	4
50	80	0	-11	8	6		8	4
80	120	0	-13	10	7		10	4,5
120	150	0	-15	11	8		11	5
150	180	0	-18	14	9		13	5
180	250	0	-20	15	10		15	5,5
250	315	0	-25	19	13		18	6,5
315	400	0	-28	22	14		20	6,5
400	500	0	-33	26	17		24	8,5
500	630	0	-38	30	20		30	10
630	800	0	-45	38	25		36	12,5
800	1 000	0	-60	50	30		43	15
1 000	1 250	0	-80	65	38		52	19
1 250	1 600	0	-100	90	50		62	25
1 600	2 000	0	-125	120	65		73	32,5

¹⁾ Tolerance values have become half the values in accordance with the revised ISO standard (2014) because SD is defined as perpendicularity of the outer ring outside surface axis with respect to datum established from the outer ring face.

Normal tolerances for inch radial bearings, except tapered roller bearings

Inner ring

d		$t_{\Delta dmp}$		t_{Vdsp}	$t_{\Delta Bs}$		t_{VBs}	t_{Kia}	t_{Sia}
>	≤	U	L		U	L			
mm		μm		μm	μm		μm	μm	μm
–	25,4	+5	–5	10	0	–127	13	10	15
25,4	50,8	+5	–8	10	0	–127	13	10	20
50,8	76,2	+5	–8	13	0	–127	13	15	30
76,2	152,4	+5	–8	18	0	–127	15	20	38
152,4	203,2	+5	–13	33	0	–127	15	25	51
203,2	304,8	+5	–13	33	0	–254	20	30	51
304,8	381	+5	–20	51	0	–406	25	38	64

Outer ring

D		$t_{\Delta Dmp}$		t_{VDsp}	$t_{\Delta Cs}$	t_{VCs}	t_{Kea}	t_{Sea}
>	≤	U	L					
mm		μm		μm		μm	μm	μm
–	25,4	–8	–18	10	Identical to $t_{\Delta Bs}$ of an inner ring of the same bearing as the outer ring	13	10	15
25,4	50,8	–8	–20	10		13	13	15
50,8	76,2	–13	–25	13		13	15	20
76,2	127	–20	–33	18		15	18	30
127	203,2	–33	–46	33		15	20	38
203,2	304,8	–33	–46	33		20	25	51
304,8	381	–33	–58	51		25	30	51
381	508	–33	–58	51		30	38	64

Table 9

Tolerances for inch tapered roller bearings

Inner ring

d		$t_{\Delta dmp}$ Tolerance classes Normal, CL2				t_{Kia} , t_{Sia}	
>	≤	U	L	U	L		
mm		μm		μm			
–	76,2	+13	0	+13	0	Values are given in outer ring table	
76,2	101,6	+25	0	+13	0		
101,6	266,7	+25	0	+13	0		
266,7	304,8	+25	0	+13	0		
304,8	609,6	+51	0	+25	0		
609,6	914,4	+76	0	+38	0		

Outer ring

D		$t_{\Delta Dmp}$ Tolerance classes Normal, CL2				t_{Kia} , t_{Kea} , t_{Sia} , t_{Sea} Tolerance classes				t_{Kea} Tolerance class CL7C
>	≤	H	L	H	L	Normal	CL2	CL3	CL0	
mm		μm		μm		μm				μm
–	304,8	+25	0	+13	0	51	38	8	4	→ table 5, page 41
304,8	609,6	+51	0	+25	0	51	38	18	9	
609,6	914,4	+76	0	+38	0	76	51	51	26	

Abutment width of single row bearings

d		D		$t_{\Delta Ts}$ Tolerance classes Normal		CL2		CL3, CL0	
>	≤	>	≤	U	L	U	L	U	L
mm		mm		μm		μm			
–	101,6	–	–	+203	0	+203	0	+203	–203
101,6	266,7	–	–	+356	–254	+203	0	+203	–203
266,7	304,8	–	–	+356	–254	+203	0	+203	–203
304,8	609,6	–	508	+381	–381	+381	–381	+203	–203
304,8	609,6	508	–	+381	–381	+381	–381	+381	–381
609,6	–	–	–	+381	–381	–	–	+381	–381

Table 10

Tolerances for thrust bearings

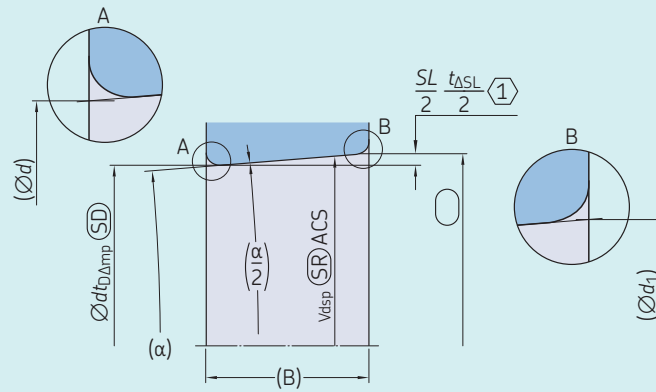
Nominal diameter		Shaft washer						Housing washer					
d, d ₂ , D ¹⁾		t _{Δdmp} , t _{Δd2mp} Tolerance classes Normal, P6, P5		t _{Vdsp} , t _{Vd2sp}		t _{Si} ²⁾³⁾ Tolerance classes Normal P6		t _{Si} ²⁾³⁾ P5		t _{ΔDmp} Tolerance classes Normal, P6, P5		t _{Vdsp} t _{Se} ²⁾	
>	≤	U	L							U	L		
mm		μm						μm					
–	18	0	–8	6	10	5	3	0	–11	8	Identical to t _{Si} of shaft washer of same bearing		
18	30	0	–10	8	10	5	3	0	–13	10			
30	50	0	–12	9	10	6	3	0	–16	12			
50	80	0	–15	11	10	7	4	0	–19	14			
80	120	0	–20	15	15	8	4	0	–22	17			
120	180	0	–25	19	15	9	5	0	–25	19			
180	250	0	–30	23	20	10	5	0	–30	23			
250	315	0	–35	26	25	13	7	0	–35	26			
315	400	0	–40	30	30	15	7	0	–40	30			
400	500	0	–45	34	30	18	9	0	–45	34			
500	630	0	–50	38	35	21	11	0	–50	38			
630	800	0	–75	55	40	25	13	0	–75	55			
800	1 000	0	–100	75	45	30	15	0	–100	75			
1 000	1 250	0	–125	95	50	35	18	0	–125	95			
1 250	1 600	0	–160	120	60	40	25	0	–160	120			
1 600	2 000	0	–200	150	75	45	30	0	–200	150			
2 000	2 500	0	–250	190	90	50	40	0	–250	190			

Bearing height d, d ₂ ¹⁾		t _{ΔTs} Single direction bearings without seat washer		t _{ΔT1s} ⁴⁾ Single direction bearings with seat washer		t _{ΔT1s} Double direction bearings without seat washers		t _{ΔT3s} ⁴⁾ Double direction bearings with seat washers		t _{ΔT4s} ⁴⁾⁵⁾ Spherical roller thrust bearings			
>	≤	U	L	U	L	U	L	U	L	SKF		SKF Explorer	
		U	L	U	L	U	L	U	L	U	L	U	L
mm		μm		μm		μm		μm		μm			
–	30	20	–250	100	–250	150	–400	300	–400	–	–	–	–
30	50	20	–250	100	–250	150	–400	300	–400	–	–	–	–
50	80	20	–300	100	–300	150	–500	300	–500	0	–125	0	–100
80	120	25	–300	150	–300	200	–500	400	–500	0	–150	0	–100
120	180	25	–400	150	–400	200	–600	400	–600	0	–175	0	–125
180	250	30	–400	150	–400	250	–600	500	–600	0	–200	0	–125
250	315	40	–400	–	–	–	–	–	–	0	–225	0	–150
315	400	40	–500	–	–	–	–	–	–	0	–300	0	–200
400	500	50	–500	–	–	–	–	–	–	0	–400	–	–
500	630	60	–600	–	–	–	–	–	–	0	–500	–	–
630	800	70	–750	–	–	–	–	–	–	0	–630	–	–
800	1 000	80	–1 000	–	–	–	–	–	–	0	–800	–	–
1 000	1 250	100	–1 400	–	–	–	–	–	–	0	–1 000	–	–
1 250	1 600	120	–1 600	–	–	–	–	–	–	0	–1 200	–	–
1 600	2 000	140	–1 900	–	–	–	–	–	–	–	–	–	–
2 000	2 500	160	–2 300	–	–	–	–	–	–	–	–	–	–

1) For double direction bearings, the values apply only for d₂ ≤ 190 mm and D ≤ 360 mm.
 2) Applies only to thrust ball bearings and thrust cylindrical roller bearings, each with 90° contact angle.
 3) Not applicable for central shaft washers.
 4) Not included in ISO 199.
 5) ISO 199 uses symbol T.

Table 11

Normal, P6 and P5 class tolerances for tapered bores, taper 1:12



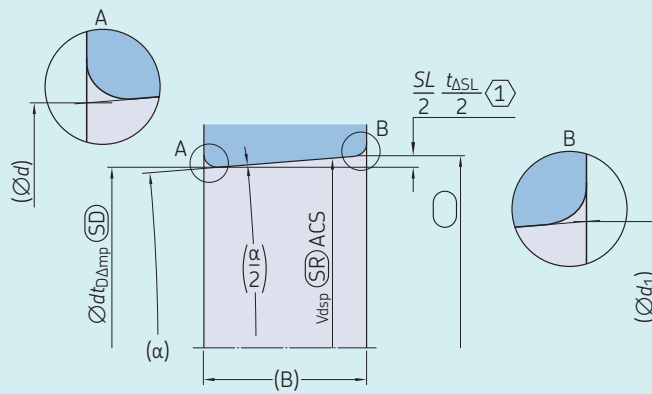
① = SL is a calculated nominal size from d and d_1 , i.e. $SL = (d_1 - d) = 2B \tan(\alpha/2)$;
 ΔSL is a calculated characteristic, i.e. $\Delta SL = \Delta d_{1mp} - \Delta d_{mp}$

Bore diameter		Tolerance classes									
		Normal ¹⁾ , P6					P5				
d		$t_{\Delta d_{mp}}$		$t_{V_{dsp}^{2)}$	$t_{\Delta SL}$		$t_{\Delta d_{mp}}$		$t_{V_{dsp}^{2)}$	$t_{\Delta SL}$	
>	≤	U	L		U	L	U	L		U	L
mm		μm									
18	30	+21	0	13	+21	0	+13	0	13	+13	0
30	50	+25	0	15	+25	0	+16	0	15	+16	0
50	80	+30	0	19	+30	0	+19	0	19	+19	0
80	120	+35	0	22	+35	0	+22	0	22	+22	0
120	180	+40	0	31	+40	0	+25	0	25	+25	0
180	250	+46	0	38	+46	0	+29	0	29	+29	0
250	315	+52	0	44	+52	0	+32	0	32	+32	0
315	400	+57	0	50	+57	0	+36	0	36	+36	0
400	500	+63	0	56	+63	0	+40	0	–	+40	0
500	630	+70	0	70	+70	0	+44	0	–	+44	0
630	800	+80	0	–	+80	0	+50	0	–	+50	0
800	1 000	+90	0	–	+90	0	+56	0	–	+56	0
1 000	1 250	+105	0	–	+105	0	+66	0	–	+66	0
1 250	1 600	+125	0	–	+125	0	+78	0	–	+78	0
1 600	2 000	+150	0	–	+150	0	+92	0	–	+92	0

¹⁾ Smaller tolerance zones than ISO 492.

²⁾ Applies in any cross section of the bore.

Normal tolerances for tapered bores, taper 1:30



(1) =

SL is a calculated nominal size from d and d_1 , i.e. $SL = (d_1 - d) = 2B \tan(\alpha/2)$;
 ΔSL is a calculated characteristic, i.e. $\Delta SL = \Delta d_{1mp} - \Delta d_{mp}$

Bore diameter		Tolerance class				
		Normal				
d		$t_{\Delta d_{mp}}$		$t_{V_{dsp}^{1)}$	t_{ASL}	
>	≤	U	L		U	L
mm		μm				
-	80	+15	0	19	+30	0
80	120	+20	0	22	+35	0
120	180	+25	0	40	+40	0
180	250	+30	0	46	+46	0
250	315	+35	0	52	+52	0
315	400	+40	0	57	+57	0
400	500	+45	0	63	+63	0
500	630	+50	0	70	+70	0
630	800	+75	0	-	+100	0
800	1 000	+100	0	-	+100	0
1 000	1 250	+125	0	-	+115	0
1 250	1 600	+160	0	-	+125	0
1 600	2 000	+200	0	-	+150	0

¹⁾ Applies in any cross section of the bore.

Table 13

Tolerance symbols

Tolerance symbol	Definition
Radial bearings inner ring – cylindrical and tapered bore	
d	<ol style="list-style-type: none"> 1 Cylindrical bore: Nominal bore diameter 2 Tapered bore: Nominal bore diameter at the theoretical small end
Δdmp	<ol style="list-style-type: none"> 1 Cylindrical bore: Deviation of a mid-range size (out of two-point sizes) of bore diameter in any cross section from its nominal size 2 Tapered bore: Deviation of a mid-range size (out of two-point sizes) of bore diameter at the theoretical small end from its nominal size
Δds	Deviation of a two-point size of bore diameter of a cylindrical bore from its nominal size
Vdsp	Range of two-point sizes of bore diameter in any cross section of a cylindrical or tapered bore
Vdmp	Range of mid-range sizes (out of two-point sizes) of bore diameter obtained from any cross section of a cylindrical bore
B	Nominal inner ring width
ΔBs Nomal, Modified ¹⁾	<ol style="list-style-type: none"> 1 Symmetrical rings: Deviation of a two-point size of inner ring width from its nominal size 2 Asymmetrical rings, upper limit: Deviation of a minimum circumscribed size of inner ring width, between two opposite lines, in any longitudinal section which includes the inner ring bore axis, from its nominal size 3 Asymmetrical rings, lower limit: Deviation of a two-point size of inner ring width from its nominal size
VBs	<ol style="list-style-type: none"> 1 Symmetrical rings: Range of two-point sizes of inner ring width 2 Asymmetrical rings: Range of minimum circumscribed sizes of inner ring width, between two opposite lines, obtained from any longitudinal section which includes the inner ring bore axis
Kia²⁾	Circular radial run-out of inner ring bore surface of assembled bearing with respect to datum, i.e. axis, established from the outer ring outside surface
Sd²⁾	Circular axial run-out of inner ring face with respect to datum, i.e. axis, established from the inner ring bore surface
Sia²⁾	Circular axial run-out of inner ring face of assembled bearing with respect to datum, i.e. axis, established from the outer ring outside surface
Radial bearings inner ring – tapered bore only	
d₁	Nominal bore diameter at the theoretical large end of a tapered bore
Δd1mp	Deviation of a mid-range size (out of two-point sizes) of bore diameter at the theoretical large end from its nominal size
SL	Taper slope, the difference between nominal diameters at the theoretical large end and small end of a tapered bore ($d_1 - d$)
ΔSL	Deviation of taper slope of a tapered inner ring bore from its nominal size

¹⁾ Modified applies to inner rings and outer rings of bearings of matched bearing sets consisting of two or more bearings. Does not apply to universally matchable angular contact ball bearings.

²⁾ Geometrical tolerances

Tolerance symbols

Tolerance symbol Definition

Radial bearings outer ring

D	Nominal outside diameter
ΔD_{mp}	Deviation of a mid-range size (out of two-point sizes) of outside diameter in any cross section from its nominal size
ΔD_s	Deviation of a two-point size of outside diameter from its nominal size
VD_{sp}	Range of two-point sizes of outside diameter in any cross section
VD_{mp}	Range of mid-range sizes (out of two-point sizes) of outside diameter obtained from any cross section
C	Nominal outer ring width
ΔC_s Nomal, Modified ¹⁾	<ol style="list-style-type: none"> 1 Symmetrical rings: Deviation of a two-point size of outer ring width from its nominal size 2 Asymmetrical rings, upper limit: Deviation of a minimum circumscribed size of outer ring width, between two opposite lines, in any longitudinal section which includes the outer ring outside surface axis, from its nominal size 3 Asymmetrical rings, lower limit: Deviation of a two-point size of outer ring width from its nominal size
VC_s	<ol style="list-style-type: none"> 1 Symmetrical rings: Range of two-point sizes of outer ring width 2 Asymmetrical rings: Range of minimum circumscribed sizes of outer ring width, between two opposite lines, obtained from any longitudinal section which includes the outer ring outside surface axis
$Kea^{2)}$	Circular radial run-out of outer ring outside surface of assembled bearing with respect to datum, i.e. axis, established from the inner ring bore surface
$SD^{2)}$	Perpendicularity of outer ring outside surface axis with respect to datum established from the outer ring face
$Sea^{2)}$	Circular axial run-out of outer ring face of assembled bearing with respect to datum, i.e. axis, established from the inner ring bore surface

Chamfer limits

r_s	Single chamfer dimension
$r_{s \min}$	Smallest single chamfer dimension of $r_s, r_1, r_2, r_3, r_4, \dots$
r_1, r_3	Radial direction chamfer dimensions
r_2, r_4	Axial direction chamfer dimensions

Tapered roller bearings

T	Nominal assembled bearing width
ΔT_s	Deviation of minimum circumscribed size of assembled bearing width from its nominal size
T_1	Nominal effective width of cone (inner ring, with roller and cage assembly) assembled with a master cup (outer ring)
T_2	Nominal effective width of cup assembled with a master cone
ΔT_{1s}	Deviation of minimum circumscribed size of effective width (cone assembled with a master cup) from its nominal size
ΔT_{2s}	Deviation of minimum circumscribed size of effective width (cup assembled with a master cone) from its nominal size

¹⁾ Modified applies to inner rings and outer rings of bearings of matched bearing sets consisting of two or more bearings. Does not apply to universally matchable angular contact ball bearings.

²⁾ Geometrical tolerances

Tolerance symbols

Tolerance symbol Definition

Thrust bearings shaft washer

d	Nominal bore diameter of shaft washer, single direction bearing
Δd_s	Deviation of a two-point size of shaft washer bore diameter from its nominal size
Δd_{mp}	Deviation of a mid-range size (out of two-point sizes) of shaft washer bore diameter in any cross section from its nominal size
Vd_{sp}	Range of two-point sizes of shaft washer bore diameter in any cross section
d_2	Nominal bore diameter of central shaft washer, double direction bearing
Δd_{2mp}	Deviation of a mid-range size (out of two-point sizes) of central shaft washer bore diameter in any cross section from its nominal size
Vd_{2sp}	Range of two-point sizes of central shaft washer bore diameter in any cross section
Si	<ol style="list-style-type: none"> 1 Range of two-point sizes of thickness between shaft washer raceway and the back face, cylindrical roller thrust bearing 2 Range of minimum spherical sizes between the raceway and the opposite back face of the shaft washer, obtained from any longitudinal section which includes the shaft washer bore axis, thrust ball bearing

Thrust bearings housing washer

D	Nominal outside diameter of housing washer
ΔD_s	Deviation of a two-point size of housing washer outside diameter from its nominal size
ΔD_{mp}	Deviation of a mid-range size (out of two-point sizes) of housing washer outside diameter in any cross section from its nominal size
VD_{sp}	Range of two-point sizes of housing washer outside diameter in any cross section
Se	<ol style="list-style-type: none"> 1 Range of two-point sizes of thickness between housing washer raceway and the back face, cylindrical roller thrust bearing 2 Range of minimum spherical sizes between the raceway and the opposite back face of the housing washer, obtained from any longitudinal section which includes the housing washer outside surface axis, thrust ball bearing

Thrust bearings assembled bearing height

T	Nominal assembled bearing height, single direction thrust bearing (except spherical roller thrust bearing $\rightarrow T_4$)
ΔT_s	Deviation of minimum circumscribed size of assembled bearing height from its nominal size, single direction thrust bearing (except spherical roller thrust bearing $\rightarrow \Delta T_4s$)
T_1	<ol style="list-style-type: none"> 1 Nominal assembled bearing height, double direction thrust bearing 2 Nominal assembled bearing height, single direction thrust bearing with a seat washer
ΔT_{1s}	<ol style="list-style-type: none"> 1 Deviation of minimum circumscribed size of assembled bearing height from its nominal size, double direction thrust bearing 2 Deviation of minimum circumscribed size of assembled bearing height from its nominal size, single direction thrust bearing with a seat washer
$T_3^{3)}$	Nominal assembled bearing height, double direction thrust bearing with seat washers
$\Delta T_{3s}^{3)}$	Deviation of minimum circumscribed size of assembled bearing height from its nominal size, double direction thrust bearing with seat washers
$T_4^{4)}$	Nominal assembled bearing height, spherical roller thrust bearing
$\Delta T_{4s}^{4)}$	Deviation of minimum circumscribed size of assembled bearing height from its nominal size, spherical roller thrust bearing

³⁾ Not included in ISO 199.

⁴⁾ In ISO 199, the symbol T is used.

Diameter series (radial bearings)

Bearing type	Diameter series 7, 8, 9	0, 1	2, 3, 4
Deep groove ball bearings ¹⁾	617, 618, 619 627, 628 637, 638, 639	60 160, 161 630	2, 3 42, 43 62, 63, 64, 622, 623
Angular contact ball bearings		70	32, 33 72, 73 QJ 2, QJ 3
Self-aligning ball bearings ²⁾	139	10, 130	12, 13, 112 22, 23
Cylindrical roller bearings		NU 10, 20 NJ 10	NU 2, 3, 4, 12, 22, 23 NJ 2, 3, 4, 22, 23 NUP 2, 3, 22, 23 N 2, 3
Full complement cylindrical roller bearings	NCF 18, 19, 28, 29 NNC 48, 49 NNCF 48, 49 NNCL 48, 49	NCF 30 NNF 50 NNCF 50	NCF 22 NJG 23
Needle roller bearings	NA 48, 49, 69		
Spherical roller bearings	238, 239 248, 249	230, 231 240, 241	222, 232 213, 223
CARB toroidal roller bearings	C 39, 49, 59, 69	C 30, 31 C 40, 41	C 22, 23 C 32

¹⁾ Bearings 604, 607, 608, 609 belong to diameter series 0, bearings 623, 624, 625, 626, 627, 628 and 629 to diameter series 2, bearings 634, 635 and 638 to diameter series 3, bearing 607/8 to diameter series 9.

²⁾ Bearing 108 belongs to diameter series 0, bearings 126, 127 and 129 to diameter series 2, bearing 135 to diameter series 3.

Table 15

Chamfer dimension limits for metric radial and thrust bearings, except tapered roller bearings

Minimum single chamfer dimension	Nominal bearing bore diameter		Maximum chamfer dimensions		
			Radial bearings		Thrust bearings
$r_{s \text{ min}}$	d		$r_{1,3}$	$r_{2,4}$	$r_{1,2,3,4}$
mm	>	≤	mm	mm	mm
0,05	–	–	0,1	0,2	0,1
0,08	–	–	0,16	0,3	0,16
0,1	–	–	0,2	0,4	0,2
0,15	–	–	0,3	0,6	0,3
0,2	–	–	0,5	0,8	0,5
0,3	–	40	0,6	1	0,8
	40	–	0,8	1	0,8
0,6	–	40	1	2	1,5
	40	–	1,3	2	1,5
1	–	50	1,5	3	2,2
	50	–	1,9	3	2,2
1,1	–	120	2	3,5	2,7
	120	–	2,5	4	2,7
1,5	–	120	2,3	4	3,5
	120	–	3	5	3,5
2	–	80	3	4,5	4
	80	220	3,5	5	4
	220	–	3,8	6	4
2,1	–	280	4	6,5	4,5
	280	–	4,5	7	4,5
2,5	–	100	3,8	6	–
	100	280	4,5	6	–
	280	–	5	7	–
3	–	280	5	8	5,5
	280	–	5,5	8	5,5
4	–	–	6,5	9	6,5
5	–	–	8	10	8
6	–	–	10	13	10
7,5	–	–	12,5	17	12,5
9,5	–	–	15	19	15
12	–	–	18	24	18

Table 16

Chamfer dimension limits for metric radial tapered roller bearings

Minimum single chamfer dimension	Nominal bearing bore/ outside diameter		Maximum chamfer dimensions	
	d, D		$r_{1,3}$	$r_{2,4}$
$r_{s \text{ min}}$	>	≤	mm	mm
mm	mm		mm	mm
0,3	–	40	0,7	1,4
	40	–	0,9	1,6
0,5	–	40	1,1	1,7
	40	–	1,2	1,9
0,6	–	40	1,1	1,7
	40	–	1,3	2
1	–	50	1,6	2,5
	50	–	1,9	3
1,5	–	120	2,3	3
	120	250	2,8	3,5
	250	–	3,5	4
2	–	120	2,8	4
	120	250	3,5	4,5
	250	–	4	5
2,5	–	120	3,5	5
	120	250	4	5,5
	250	–	4,5	6
3	–	120	4	5,5
	120	250	4,5	6,5
	250	400	5	7
	400	–	5,5	7,5
4	–	120	5	7
	120	250	5,5	7,5
	250	400	6	8
	400	–	6,5	8,5
5	–	180	6,5	8
	180	–	7,5	9
6	–	180	7,5	10
	180	–	9	11

Chamfer dimension limits for inch tapered roller bearings

Minimum single chamfer dimension		Inner ring				Outer ring			
		Nominal bearing bore diameter		Maximum chamfer dimensions		Nominal bearing outside diameter		Maximum chamfer dimensions	
$r_{s \min}$		d		r_1	r_2	D		r_3	r_4
$>$	\leq	$>$	\leq			$>$	\leq		
mm		mm		mm		mm		mm	
0,6	1,4	–	101,6	$r_{1 \min} + 0,5$	$r_{2 \min} + 1,3$	–	168,3	$r_{3 \min} + 0,6$	$r_{4 \min} + 1,2$
		101,6	254	$r_{1 \min} + 0,6$	$r_{2 \min} + 1,8$	168,3	266,7	$r_{3 \min} + 0,8$	$r_{4 \min} + 1,4$
		254	–	$r_{1 \min} + 0,9$	$r_{2 \min} + 2$	266,7	355,6	$r_{3 \min} + 1,7$	$r_{4 \min} + 1,7$
						355,6	–	$r_{3 \min} + 0,9$	$r_{4 \min} + 2$
1,4	2,5	–	101,6	$r_{1 \min} + 0,5$	$r_{2 \min} + 1,3$	–	168,3	$r_{3 \min} + 0,6$	$r_{4 \min} + 1,2$
		101,6	254	$r_{1 \min} + 0,6$	$r_{2 \min} + 1,8$	168,3	266,7	$r_{3 \min} + 0,8$	$r_{4 \min} + 1,4$
		254	–	$r_{1 \min} + 2$	$r_{2 \min} + 3$	266,7	355,6	$r_{3 \min} + 1,7$	$r_{4 \min} + 1,7$
						355,6	–	$r_{3 \min} + 2$	$r_{4 \min} + 3$
2,5	4,0	–	101,6	$r_{1 \min} + 0,5$	$r_{2 \min} + 1,3$	–	168,3	$r_{3 \min} + 0,6$	$r_{4 \min} + 1,2$
		101,6	254	$r_{1 \min} + 0,6$	$r_{2 \min} + 1,8$	168,3	266,7	$r_{3 \min} + 0,8$	$r_{4 \min} + 1,4$
		254	400	$r_{1 \min} + 2$	$r_{2 \min} + 4$	266,7	355,6	$r_{3 \min} + 1,7$	$r_{4 \min} + 1,7$
		400	–	$r_{1 \min} + 2,5$	$r_{2 \min} + 4,5$	355,6	400	$r_{3 \min} + 2$	$r_{4 \min} + 4$
						400	–	$r_{3 \min} + 2,5$	$r_{4 \min} + 4,5$
4,0	5,0	–	101,6	$r_{1 \min} + 0,5$	$r_{2 \min} + 1,3$	–	168,3	$r_{3 \min} + 0,6$	$r_{4 \min} + 1,2$
		101,6	254	$r_{1 \min} + 0,6$	$r_{2 \min} + 1,8$	168,3	266,7	$r_{3 \min} + 0,8$	$r_{4 \min} + 1,4$
		254	–	$r_{1 \min} + 2,5$	$r_{2 \min} + 4$	266,7	355,6	$r_{3 \min} + 1,7$	$r_{4 \min} + 1,7$
						355,6	–	$r_{3 \min} + 2,5$	$r_{4 \min} + 4$
5,0	6,0	–	101,6	$r_{1 \min} + 0,5$	$r_{2 \min} + 1,3$	–	168,3	$r_{3 \min} + 0,6$	$r_{4 \min} + 1,2$
		101,6	254	$r_{1 \min} + 0,6$	$r_{2 \min} + 1,8$	168,3	266,7	$r_{3 \min} + 0,8$	$r_{4 \min} + 1,4$
		254	–	$r_{1 \min} + 3$	$r_{2 \min} + 5$	266,7	355,6	$r_{3 \min} + 1,7$	$r_{4 \min} + 1,7$
						355,6	–	$r_{3 \min} + 3$	$r_{4 \min} + 5$
6,0	7,5	–	101,6	$r_{1 \min} + 0,5$	$r_{2 \min} + 1,3$	–	168,3	$r_{3 \min} + 0,6$	$r_{4 \min} + 1,2$
		101,6	254	$r_{1 \min} + 0,6$	$r_{2 \min} + 1,8$	168,3	266,7	$r_{3 \min} + 0,8$	$r_{4 \min} + 1,4$
		254	–	$r_{1 \min} + 4,5$	$r_{2 \min} + 6,5$	266,7	355,6	$r_{3 \min} + 1,7$	$r_{4 \min} + 1,7$
						355,6	–	$r_{3 \min} + 4,5$	$r_{4 \min} + 6,5$
7,5	9,5	–	101,6	$r_{1 \min} + 0,5$	$r_{2 \min} + 1,3$	–	168,3	$r_{3 \min} + 0,6$	$r_{4 \min} + 1,2$
		101,6	254	$r_{1 \min} + 0,6$	$r_{2 \min} + 1,8$	168,3	266,7	$r_{3 \min} + 0,8$	$r_{4 \min} + 1,4$
		254	–	$r_{1 \min} + 6,5$	$r_{2 \min} + 9,5$	266,7	355,6	$r_{3 \min} + 1,7$	$r_{4 \min} + 1,7$
						355,6	–	$r_{3 \min} + 6,5$	$r_{4 \min} + 9,5$
9,5	12	–	101,6	$r_{1 \min} + 0,5$	$r_{2 \min} + 1,3$	–	168,3	$r_{3 \min} + 0,6$	$r_{4 \min} + 1,2$
		101,6	254	$r_{1 \min} + 0,6$	$r_{2 \min} + 1,8$	168,3	266,7	$r_{3 \min} + 0,8$	$r_{4 \min} + 1,4$
		254	–	$r_{1 \min} + 8$	$r_{2 \min} + 11$	266,7	355,6	$r_{3 \min} + 1,7$	$r_{4 \min} + 1,7$
						355,6	–	$r_{3 \min} + 8$	$r_{4 \min} + 11$

Rounding values

Shoulder diameters

The dimensions for the shoulder diameters of radial bearings are rounded up or down to a level that is suitable for general machinery applications. Diameter dimensions of the inner ring are rounded down, whereas those of the outer ring are rounded up.

Load and speed ratings and fatigue load limits

The values of these parameters are rounded to a level that fits the accuracy of the calculations they are intended to be used in.

Masses

Masses are rounded to approximately $\pm 5\%$ of the actual value. They do not include the weight of any packaging.

Temperatures

Temperatures are typically rounded to 5 °C and are presented in both units (°C and °F). Because of the rounding, temperature values may not match when using unit conversion formulae.



Storage

A.3 Storage

Storage time is the period that a bearing can remain in storage in order to avoid adverse effects on operational performance of the bearing. SKF bearings are coated with a high-quality preservative oil to protect them from corrosion. Long storage times can be attained by storing bearings in their original, unopened and undamaged, packaging. The storage time of bearings also depends on their storage environment conditions. To maintain the potential operating performance of a bearing, SKF recommends a “first in, first out” inventory policy.

Storage time for open bearings

Typical storage times for open (unsealed) bearings are listed in [table 1](#).

Storage time for capped bearings

Capped bearings (bearings with seals or shields) should be stored for a maximum of three years to avoid deterioration of their grease fill.

Additional storage-related factors

To avoid deterioration of your bearings while in storage, consider these factors:

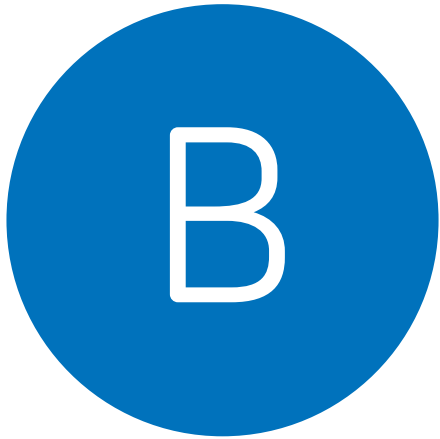
- Store indoors, in a frost- and condensation-free environment, at a maximum ambient temperature of 40 °C (105 °F), avoiding air flow.
- Store in vibration-free conditions. Vibration can cause damage to raceways.
- Store horizontally, preferably, to avoid damage that could be caused by the bearing falling over.
- Do not open or damage the original packaging.

Table 1

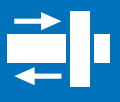
Storage time for open (unsealed) bearings

Storage environment conditions			Storage time
Relative air humidity	Ambient temperature		
%	°C	°F	years
65	20 to 25	70 to 75	10
75	20 to 25	70 to 75	5
75	35 to 40	95 to 105	3
Uncontrolled tropical conditions ¹⁾			1

¹⁾ Contact SKF for advice on coping with extreme conditions or attaining a longer storage time.



Bearing selection process



Bearing selection process

B.1 Performance and operating conditions	65
B.2 Bearing type and arrangement	69
B.3 Bearing size	85
B.4 Lubrication	109
B.5 Operating temperature and speed	129
B.6 Bearing interfaces	139
B.7 Bearing execution	181
B.8 Sealing, mounting and dismounting	193

Bearing selection process

When selecting bearings for any purpose, ultimately you want to be certain of achieving the required level of equipment performance – and at the lowest possible cost. Robustness also is very important because the conditions in which your equipment is assembled, operated and maintained may not be precisely known and may, in fact, vary over time.

In addition to the bearing rating life, there are key factors you must consider when putting together the bearing specifications for an application, including:

- lubricant and supply method
- shaft and housing fits
- bearing clearance class
- cage material and guidance
- dimensional stability
- precision requirements
- bearing sealing
- mounting method and maintenance

To help evaluate these key factors, we recommend following the selection process shown on the right.

The process provides a straightforward step-by-step approach that shows the general relationship between each step. By clearly defining and naming the steps in this way, it should be easier to find information on a specific topic. In reality, however, you will find interdependencies that require you to loop back and forth between the steps.

Bearing selection process



-  Performance and operating conditions
-  Bearing type and arrangement
-  Bearing size
-  Lubrication
-  Operating temperature and speed
-  Bearing interfaces
-  Bearing execution
-  Sealing, mounting and dismounting

SKF support

SKF application engineering service

The SKF application engineering service provides expertise to help and support you with your technical needs.

Drawing on a wealth of experience, and supported by a global network of experts in a wide range of industries, local SKF application engineers work with original equipment manufacturers and end users to help and support them with their challenges.

Following a step-by-step application analysis process, and using SKF online and proprietary calculation tools, SKF application engineers can evaluate correct bearing type and size, and other requirements such as lubrication, fits and sealing, in order to obtain the right application solution and achieve reliable rotating equipment performance.

Contact the SKF application engineering service through your local SKF representative if you have any questions, or require any assistance, when using the bearing selection process guidelines or information in the product sections.

Supporting calculation tools

In the early stages of the application analysis and design process, bearing selection is initially made using various assumptions and, as the process progresses, additional input is included to fine tune results.

SKF can support you throughout this process with our engineering software tools (*Engineering software tools*, [page 63](#)), ranging from easy-to-use online tools, based on formulae provided in this catalogue, to our most sophisticated simulation systems incorporating the latest theories.

SKF is constantly developing its engineering software tools for SKF engineers and customers to support them in obtaining solutions that are technically, commercially and environmentally optimal.

Online tools

The SKF online engineering tools (*Engineering software tools*, [page 63](#)) provide functionality to:

- search for bearing data based on designation or dimensions
- calculate many useful bearing and application related parameters, including bearing basic rating life, SKF rating life, minimum load limit, shaft/housing tolerances and fits, relubrication intervals
- evaluate simple bearing arrangements
- generate drawings of bearings and housings that can be used in most commercially available CAD programs

SKF SimPro Quick

SKF SimPro Quick (*Engineering software tools*) is bearing simulation software that provides functionality to rapidly evaluate the design of bearing arrangements, and their field performance, based on relevant application requirements and conditions. In addition to the basic analysis provided by the online tools, it enables you to determine bearing load distribution and the effects of bearing stiffness and bearing clearance.

SKF SimPro Quick is intuitive, quick to learn, follows the SKF process for application analysis and bearing selection, and enables you to take greater advantage of SKF engineering know-how. It is fully compatible with the SKF SimPro platform, thus allowing you to easily exchange and discuss results with your SKF representative.

SKF SimPro Expert

SKF SimPro Expert (*Engineering software tools*) is the mainstream bearing application program used within the SKF application engineering community. It is a sophisticated bearing simulation system that enables analysis of multi-shaft systems at a deeper level than SKF SimPro Quick. It provides a wealth of functionality including:

- most of the needed modelling functionality for rotational analysis in general industry applications
- extensive analysis options for system behaviour, such as clearance effects, detailed rolling contact stress distribution
- design of experiments (DOE)

SKF SimPro Expert has also the option to add advanced modules for further analysis, as for example impact of bearing performance with a flexible support.

For additional information regarding SKF SimPro Expert and how it could help you, contact your local SKF representative.





SKF BEAST

SKF BEAST (Bearing Simulation Tool) (*Engineering software tools*) is a software simulation tool that enables SKF engineers to study the detailed dynamic behaviour within a mechanical sub-system, such as a bearing, under virtually any load condition.

It is a multibody system with special focus on transient conditions and detailed geometry and contacts, thus enabling detailed analysis, for example, of bearing cage behaviour and its wear mechanisms.

This enables the “testing” of new concepts and designs in a shorter time and with more information gained compared with traditional physical testing.

Engineering software tools

User needs	SKF tool	Software capabilities	
<ul style="list-style-type: none"> Bearing design verification Detailed, dynamic bearing and system evaluation Evaluation of surface and contact behaviours 	SKF BEAST 	Advanced analysis, bearing dynamics Examples: <ul style="list-style-type: none"> advanced contact models dynamic behaviour of bearing components structural fatigue 	SKF internal use
<ul style="list-style-type: none"> Bearing performance verification Detailed bearing and system evaluation on complex models or multi-shafts 	SKF SimPro Expert 	Advanced analysis, complex systems Examples: <ul style="list-style-type: none"> clearance optimization flexible systems detailed contact pressure distribution influence on gear meshing 	
<ul style="list-style-type: none"> Bearing performance verification Detailed bearing and system evaluation on single shaft 	SKF SimPro Quick 	Advanced analysis, single shaft Examples: <ul style="list-style-type: none"> modified rating life according to ISO/TS16281 bearing load distribution bearing stiffness impact clearance effect 	Customer accessible
<ul style="list-style-type: none"> Initial selection Basic performance evaluation 	Online tools <ul style="list-style-type: none"> SKF Bearing Calculator SKF Bearing Select SKF LubeSelect 	Standard analysis, single bearing, single shaft Examples: <ul style="list-style-type: none"> SKF rating life basic rating life grease life minimum load limit 	

Level of complexity

B.1

Performance and operating conditions



B.1 Performance and operating conditions

The first step in the bearing selection process is to understand and document:

- the required performance
- the operating conditions and assumptions of them
- any other application prerequisites

An application can set various requirements on the bearing solution. Common factors include:

- bearing life
- speed capability and ability to withstand applied acceleration levels
- precision of the radial and axial position of the shaft
- ability to cope with low or high temperatures or temperature gradients
- generated noise and vibration levels

The relative importance of these performance factors can influence the nature of the path you take through the steps of the bearing selection and application analysis process.

You should evaluate the operating conditions in as much detail as possible. The most important operating parameters are:

- load
- speed
- temperature
- lubricant and lubricant cleanliness

Usually these can be determined from physical and mechanical analysis of the application, or from experience with similar applications. Make sure that any assumptions made are clearly documented.

Operating conditions typically vary over time, e.g. in variable speed applications or because of seasonal temperature changes or increased output power. The range of the variation is important. In some cases, both

limits of the range may be important, whereas in others, only the lower or the upper limit may be.

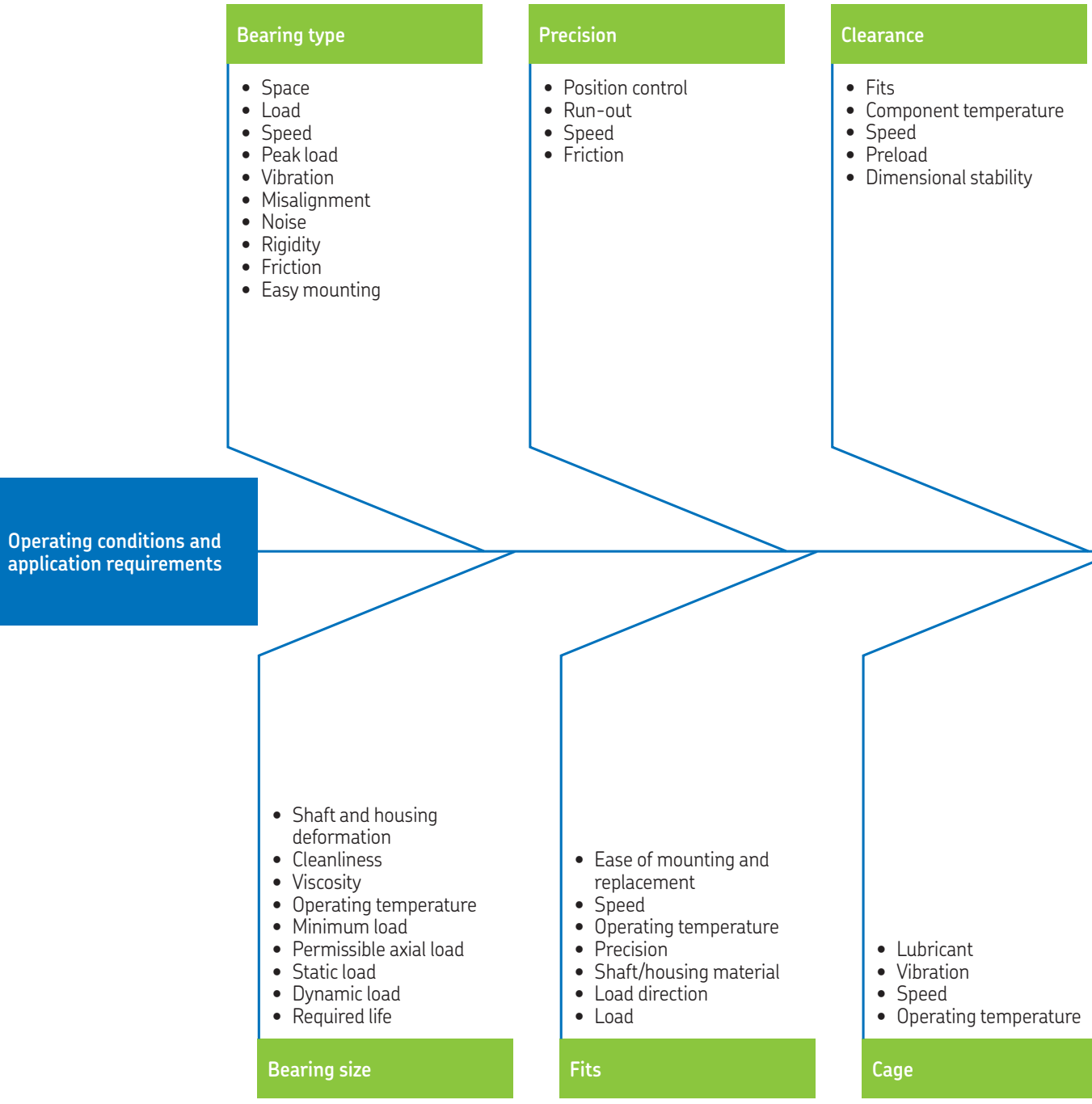
In order to optimize a design, you may need to loop through various steps of the bearing selection process. To minimize these, review and prioritize any application prerequisites, such as:

- available radial or axial space
- shaft diameters defined by shaft strength requirements
- lubricant choice determined by other components in the application

The shows the relationship between principal operating conditions, application requirements and various aspects of a bearing arrangement's design are shown in *Factors to consider when translating operating conditions and application requirements into a bearing solution*, [page 66](#). The lists are not comprehensive and you may have to consider other factors and interrelationships, like cost and availability, when striving to obtain a robust and cost-effective solution.

Use the *Application data sheet*, at the end of this catalogue, to help when contacting the SKF application engineering service.

Factors to consider when translating operating conditions and application



requirements into a bearing solution

Material and heat treatment

- Operating temperature
- Environment
- Lubricant
- Load
- Contamination
- Corrosion
- Coatings

Sealing

- Speed
- Seal temperature
- Frictional moment
- Necessity of relubrication
- Environment
- Lubricant
- Load
- Pressure differential
- Run-out

Bearing solution

- Lubricant life
- Relubrication interval
- Seal type
- Environment
- Vibration
- Speed
- Operating temperature

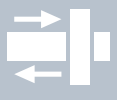
Lubrication

- Ease of replacement
- Accessibility
- Tooling
- Mounting/dismounting procedure

Mounting

B.2

Bearing type and arrangement



B.2 Bearing type and arrangement

Arrangements and their bearing types	70
Locating/non-locating bearing arrangements.	70
Bearings for the locating support.	70
Bearing combinations for the locating support	71
Bearings for the non-locating support.	71
Suitability of rolling bearing for industrial applications.	72
Typical combinations of bearing supports	74
Adjusted bearing arrangements.	76
Floating bearing arrangements	76
Selection criteria	77
Available space	77
Loads.	78
Combined radial and axial loads	78
Speed and friction.	79
Misalignment	80
Temperature	80
Precision	81
Stiffness	81
Mounting and dismounting	82
Separable bearings.	82
Tapered bore.	82
Integral sealing	82
Cost and availability	82
Popular items	82
Large bearings	82
Capped bearings.	82
Availability of standard housings and sleeves	82

B.2 Bearing type and arrangement

Each bearing type has characteristic properties that make it more or less suitable for use in a given application. An overview is provided in *Suitability of rolling bearings for industrial applications*, [page 72](#), of the main bearing types (including their major features and design variants) and their degree of suitability for certain aspects of use.

This section provides information on what to consider when selecting a bearing arrangement and the types of bearing to use with it. It also provides guidelines on choosing bearing types to satisfy specific demands of an application, such as accommodating available space, loads, misalignment, and more.

Arrangements and their bearing types

A bearing arrangement supports and locates a shaft, radially and axially, relative to other components such as housings. Typically, two bearing supports are required to position a shaft. Depending on certain requirements, such as stiffness or load directions, a bearing support may consist of one or more bearings.

Bearing arrangements comprising two bearing supports are:

- locating/non-locating bearing arrangements
- adjusted bearing arrangements
- floating bearing arrangements

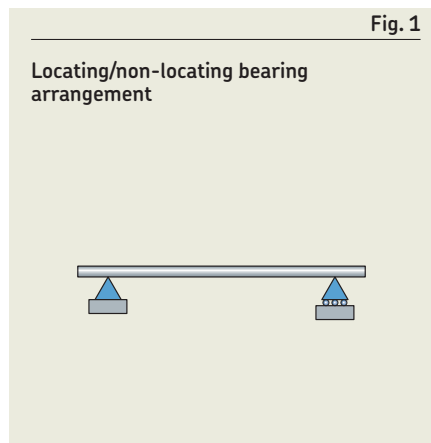
An overview is provided in *Suitability of rolling bearings for industrial applications*, [page 72](#), of the suitability of various bearing types for different bearing arrangements.

A single bearing arrangement consists of just one bearing that supports radial, axial and moment loads.

Locating/non-locating bearing arrangements

In locating/non-locating bearing arrangements ([fig. 1](#)):

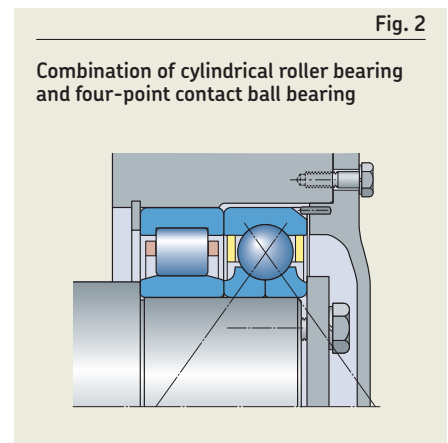
- The locating support provides axial location of the shaft relative to the housing.
- The non-locating support accommodates axial displacements that occur when thermal expansion of the shaft relative to the housing changes the distance between the two bearings. Additionally, it compensates for the accumulation of tolerances of the components, which affects the distance between the two bearings.



Bearings for the locating support

Radial bearings that can accommodate combined (radial and axial) loads are used for the locating bearing support. These include:

- deep groove ball bearings ([page 239](#))
- two universally matchable single row angular contact ball bearings, arranged back-to-back or face-to-face ([page 386](#))
- double row angular contact ball bearings ([page 386](#))
- self-aligning ball bearings ([page 438](#))
- spherical roller bearings ([page 774](#))
- matched tapered roller bearings, arranged back-to-back or face-to-face ([page 670](#))
- cylindrical roller bearings with flanges on both rings or cylindrical roller bearings mounted with an angle ring (thrust collar) ([page 494](#))



Bearing combinations for the locating support

The locating bearing support can consist of a combination of bearings. For example (fig. 2):

- To accommodate the radial load, a cylindrical roller bearing that has one ring without flanges may be used.
- To provide the axial location, a deep groove ball bearing, a four-point contact ball bearing, or a pair of angular contact ball bearings may be used.

The outer ring of the axial locating bearing must be mounted radially free and should not be clamped. Otherwise, this bearing can be subjected to unintended radial loads.

where an interference fit is required for both rings.

- 2 Use a loose fit between one bearing ring and its seat. Suitable bearing types include:
 - deep groove ball bearings (page 240)
 - self-aligning ball bearings (page 438)
 - spherical roller bearings (page 774)
 - pairs of angular contact ball bearings (page 385) or tapered roller bearings (page 670)

Axial movements of a bearing on its seat cause axial loads, which might have an impact on the bearing service life.

When using other bearing types, you may need to take additional design considerations into account.

Bearings for the non-locating support

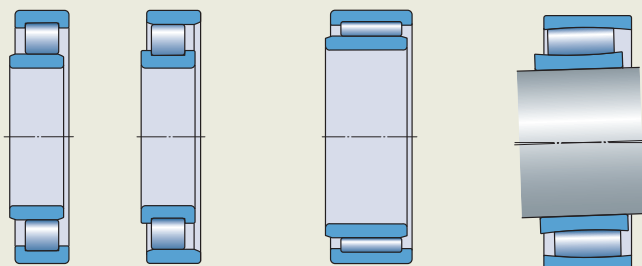
There are two ways to accommodate axial displacements at the non-locating bearing support:

- 1 Use a bearing type that enables axial displacement within the bearing (fig. 3):
 - cylindrical roller bearings with flanges on one ring only (page 494)
 - needle roller bearings (page 582)
 - CARB toroidal roller bearings (page 842)

When these bearings are rotating, they accommodate axial displacement and induce almost no axial load on the bearing arrangement. You should use this solution

Fig. 3

Bearings that accommodate axial displacement



Cylindrical roller bearings (NU and N design)

Needle roller bearing




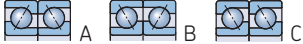


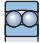






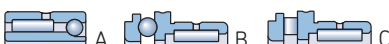
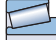
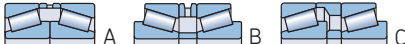


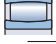
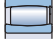



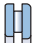

CARB toroidal roller bearing

Suitability of rolling bearings for industrial applications

Symbols

+++ excellent	↔ double direction
++ good	← single direction
+ fair	□ non-locating displacement on the seat
- poor	■ non-locating displacement within the bearing
-- unsuitable	✓ yes
	✗ no

Bearing type

Bearing type	Load carrying capability			Misalignment	
	Radial load	Axial load	Moment load	Static misalignment	Dynamic misalignment (few tenths of a degree)
Deep groove ball bearings 	+	+ ↔	A-, B+	-	--
Insert bearings 	+	+ ↔	--	++	--
Angular contact ball bearings, single row 	+1)	++ ←	--	-	--
matched single row 	A, B ++ C ++1)	A, B ++ ↔ C ++ ←	A ++, B + C --	A, C --, B -	--
double row 	++	++ ↔	++	--	--
four-point contact 	+1)	++ ↔	--	--	--
Self-aligning ball bearings 	+	-	--	+++	+2)
Cylindrical roller bearings, with cage 	++	--	--	-	--
	++	A, B + ← C, D + ↔	--	-	--
full complement, single row 	+++	+ ←	--	-	--
full complement, double row 	+++	A --, B + ← C + ↔	--	-	--
Needle roller bearings, with steel rings 	++	--	--	A, B - C ++	--
assemblies / drawn cups 	++	A, B -- C -	--	-	--
combined bearings 	++	A -, B + C ++	--	--	--
Tapered roller bearings, single row 	+++1)	++ ←	--	-	--
matched single row 	A, B +++ C +++1)	A, B ++ ↔ C ++ ←	A +, B ++ C --	A - B, C --	--
double row 	+++	++ ↔	A + B ++	A -, B --	--
Spherical roller bearings 	+++	+ ↔	--	+++	+2)
CARB toroidal roller bearings, with cage 	+++	--	-	++	-
full complement 	+++	--	-	++	-
Thrust ball bearings 	--	A + ← B + ↔	--	--	--
with sphered housing washer 	--	A + ← B + ↔	--	++	--
Cylindrical roller thrust bearings 	--	++ ←	--	--	--
Needle roller thrust bearings 	--	++ ←	--	--	--
Spherical roller thrust bearings 	+1)	+++ ←	--	+++	+2)

1) Provided the F_a/F_r ratio requirement is met

2) Reduced misalignment angle – contact SKF

3) Depending on cage and axial load level

Arrangement				Suitable for					Design features			
Locating	Non-locating	Adjusted	Floating	Long grease life	High speed	Low run-out	High stiffness	Low friction	Integral sealing	Separable ring mounting	Tapered bore	Standard housings and accessories available
⇔	□	X	✓	A+++ B++	A+++ B+	A+++ B++	+	+++	A✓	X	X	X
⇔	⇔	X	X	+++	++	A, B+ C++	+	++	✓	X	X	✓
X	X	✓	X	++	++	+++	++	++	✓	X	X	X
A, B ⇔ C ←	A, B □ C X	X	X	++	++	+++	++	++	X	X	X	X
↔	□	X	X	++	++	++	++	++	A✓	B✓	X	X
⇔ ¹⁾	--	--	--	+	+++	++	++	++	X	✓	X	X
⇔	□	X	✓	+++	++	++	+	+++	✓	X	✓	✓
X	■	X	X	++	+++	+++	++	+++	X	✓	X	X
A, B ← C, D ⇔	A, B ■ ← C, D X	X	A✓ B, C, D X	++ ³⁾	+++	++	++	+++	X	✓	X	X
←	A, B ←	X	✓	-	+	+	+++	-	X	A X B ✓	X	X
B ← C, D ⇔	A ■ ⇔ B ■ ←	X	X	-	+	+	+++	-	D✓	X	X	X
X	■ ⇔	X	X	++	++	+	++	+	A✓	✓	X	X
A, B X C ←	A, B ■ C ■ ←	X	X	++	++	+	++	+	B, C✓	✓	X	X
←	X	✓	X	+	+	+	++	+	X	✓	X	X
←	X	✓	X	+	++	+++	++	+	X	✓	X	X
A, B ⇔ C ←	A, B □ C X	A, B X C ✓	X	+	+	++	+++	+	X	✓	X	X
⇔	□	X	X	+	+	++	+++	+	✓	✓	B✓	X
⇔	□	X	✓	+	++	+++	++	+	✓	X	✓	✓
X	■	X	X	+	++	+++	++	+	X	X	✓	✓
X	■	X	X	-	+	+++	++	-	✓	X	✓	✓
A ← B ⇔	X	X	X	+	-	++	+	+	X	✓	X	X
A ← B ⇔	X	X	X	+	-	+	+	+	X	✓	X	X
←	X	X	X	-	-	+	+++	+	X	✓	X	X
←	X	X	X	-	-	+	+++	+	X	✓	X	X
←	X	✓	X	-	+	+	+++	+	X	✓	X	X

B.2 Bearing type and arrangement

Typical combinations of bearing supports

From the large number of possible locating/non-locating bearing combinations, the following are the most popular.

For bearing arrangements where the axial displacement is accommodated within the bearing

Conventional bearing arrangements in which limited angular misalignment occurs include:

- deep groove ball bearing / cylindrical roller bearing (fig. 4)
- double row angular contact ball bearing / NU or N design cylindrical roller bearing (fig. 5)
- matched single row tapered roller bearings / NU or N design cylindrical roller bearing (fig. 6)
- NUP design cylindrical roller bearing / NU design cylindrical roller bearing (fig. 7)
- NU design cylindrical roller bearing and a four-point contact ball bearing / NU design cylindrical roller bearing (fig. 8)

SKF self-aligning bearing systems, which can compensate for more misalignment, are:

- spherical roller bearing / CARB toroidal roller bearing (fig. 9)
- self-aligning ball bearing / CARB toroidal roller bearing

For bearing arrangements where the axial displacement is accommodated between a bearing ring and its seat

- deep groove ball bearing / deep groove ball bearing (fig. 10)
- self-aligning ball bearings or spherical roller bearings (fig. 11) for both bearing positions
- matched single row angular contact ball bearings / deep groove ball bearing (fig. 12)

Fig. 4

Deep groove ball bearing / cylindrical roller bearing

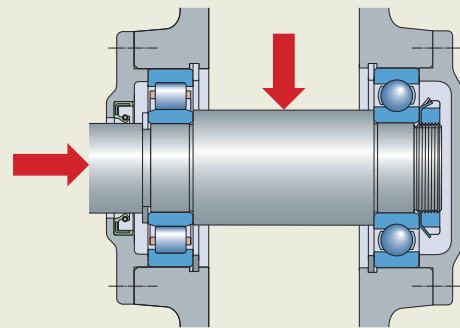


Fig. 5

Double row angular contact ball bearing / NU design cylindrical roller bearing

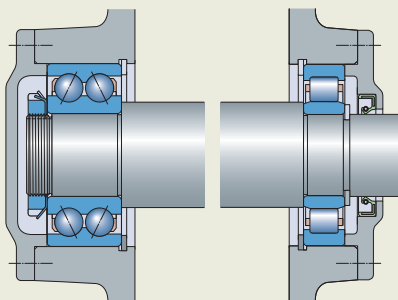


Fig. 6

Matched single row tapered roller bearings / NU design cylindrical roller bearing

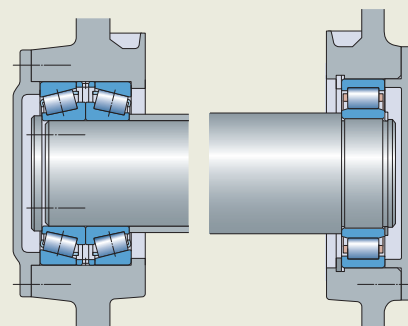


Fig. 7

NUP design cylindrical roller bearing / NU design cylindrical roller bearing

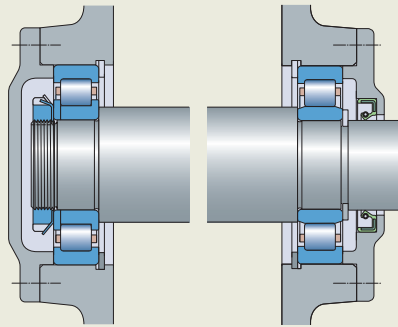


Fig. 8

NU design cylindrical roller bearing and a four-point contact ball bearing / NU design cylindrical roller bearing

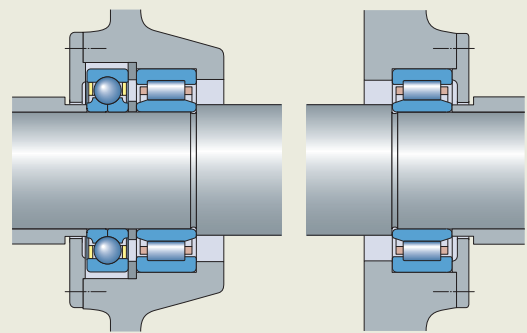


Fig. 9

Spherical roller bearing / CARB toroidal roller bearing

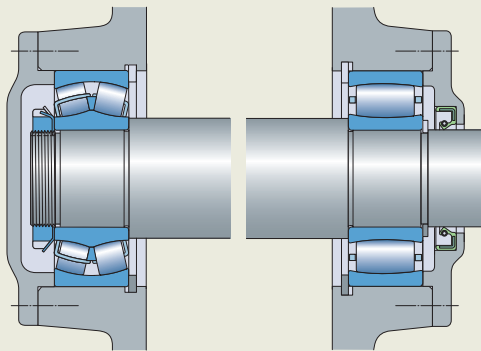


Fig. 10

Deep groove ball bearing / deep groove ball bearing

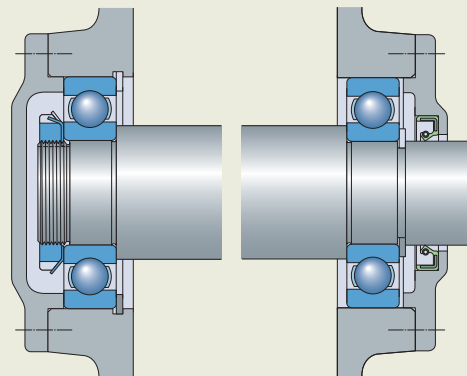


Fig. 11

Spherical roller bearing / spherical roller bearing

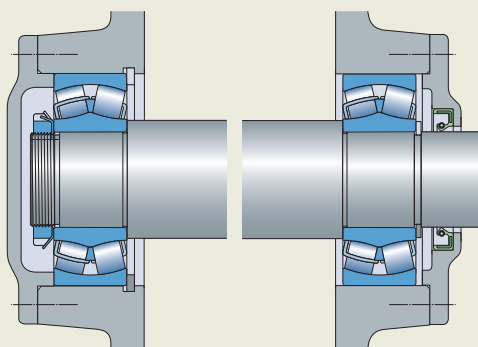
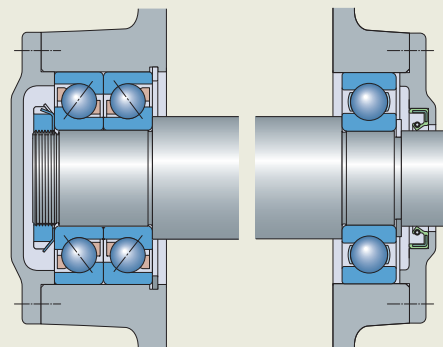


Fig. 12

Matched single row angular contact ball bearings / deep groove ball bearing



Adjusted bearing arrangements

In adjusted bearing arrangements, the shaft is located axially in one direction by one bearing support and in the opposite direction by the other (cross-located). Adjusted bearing arrangements require proper adjustment of clearance or preload during mounting.

These bearing arrangements are generally used for short shafts, where thermal expansion has only a little effect. The most suitable bearings are:

- angular contact ball bearings (fig. 13)
- tapered roller bearings (fig. 14)

Floating bearing arrangements

In floating bearing arrangements the shaft is cross-located, but is able to move axially a certain distance between the two end positions, i.e. "float".

When determining the required "float" distance, consider thermal expansion of the shaft relative to the housing and tolerances of the components, which affect the distance between the two bearings.

With this arrangement, the shaft can also be axially located by other components on

the shaft, e.g. a double helical gear. Most common bearings are:

- deep groove ball bearings (fig. 15)
- self-aligning ball bearings
- spherical roller bearings (fig. 16)
- NJ design cylindrical roller bearings, mirrored, with offset rings (fig. 17)

Fig. 13

Adjusted bearing arrangement, angular contact ball bearings arranged face-to-face

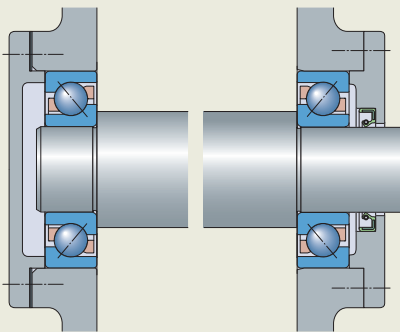


Fig. 14

Adjusted bearing arrangement, tapered roller bearings arranged back-to-back

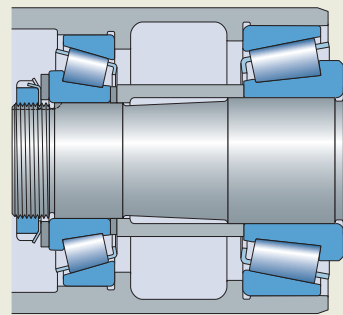


Fig. 15

Floating bearing arrangement, deep groove ball bearings

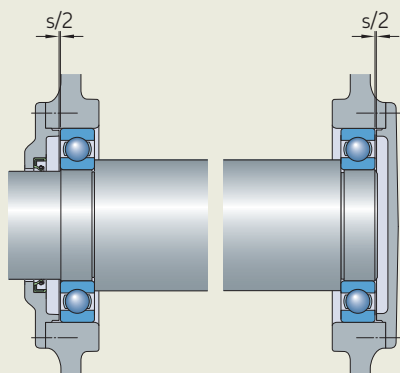
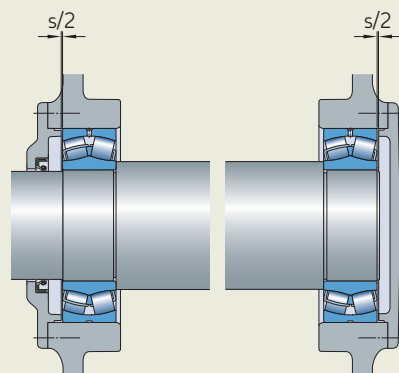


Fig. 16

Floating bearing arrangement, spherical roller bearings



Selection criteria

Available space

Often the boundary dimensions of a bearing are predetermined by the machine's design. Typically, the shaft diameter determines the bearing bore diameter. For the same bore diameter, different outside diameters and widths may be available (fig. 18). The availability of bearings in a certain ISO dimension series depends on bearing type and bore diameter.

Other space-related criteria that influence the selection of bearing type include:

- shafts with small diameter (approx. $d < 10$ mm)
 - deep groove ball bearings
 - needle roller bearings
 - self-aligning ball bearings
 - thrust ball bearings
 - shafts with normal diameter
 - all bearing types
- very limited radial space
 - needle roller bearings
 - deep groove ball bearings in the 618 or 619 series
 - CARB toroidal roller bearings in the C49, C59 or C69 series
 - bearings without inner or outer ring and raceways machined directly on the shaft or in the housing

Fig. 17

Floating bearing arrangement, NJ design cylindrical roller bearings, mirrored, with offset rings

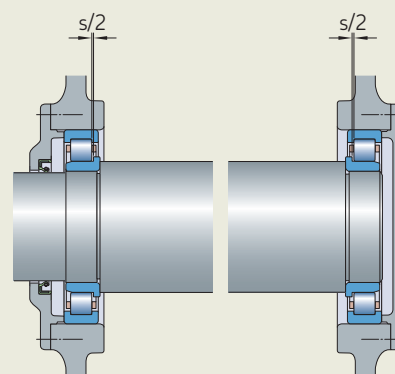
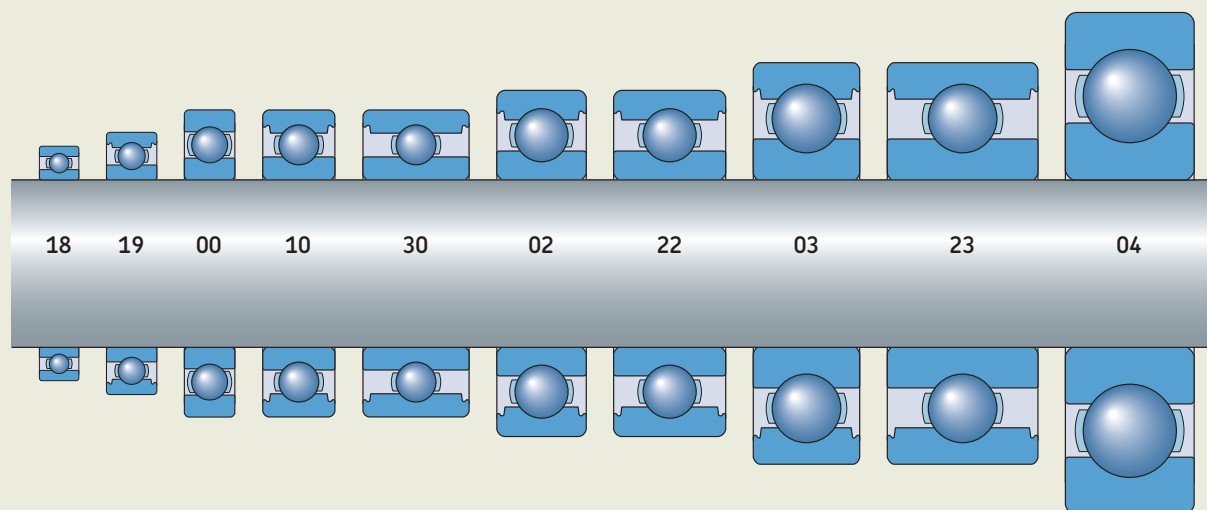


Fig. 18

ISO dimension series for the same bore diameter



B.2 Bearing type and arrangement

Loads

When selecting bearing type based on load criteria, you should bear in mind that:

- Roller bearings accommodate heavier loads than same-sized ball bearings.
- Full complement bearings accommodate heavier loads than the corresponding bearing with a cage.

An overview is provided in *Suitability of rolling bearings for industrial applications*, page 72, the radial, axial and moment load capability of various bearing types.

Combined radial and axial loads

The direction of load is a primary factor in bearing type selection. Where the load on a bearing is a combination of radial and axial load, the ratio of the components determines the direction of the combined load (fig. 19).

The suitability of a bearing for a certain direction of load corresponds to its contact angle α (diagram 1) – the greater the contact angle, the higher the axial load carrying capacity of the bearing. You can see this indicated in the value of the calculation factor Y (refer to individual product sections), which decreases as the contact angle increases.

ISO defines bearings with contact angles $\leq 45^\circ$ as radial bearings, and the others as thrust bearings, independent of their actual use.

To accommodate combined loads with a light axial component, bearings with a small contact angle can be used. Deep groove ball bearings are a common choice for light to moderate axial loads. With increasing axial load, a larger deep groove ball bearing (with higher axial load carrying capacity) can be used. For even higher axial load, bearings with a larger contact angle may be required, such as angular contact ball bearings or tapered roller bearings. These bearing types can be arranged in tandem to accommodate high axial loads.

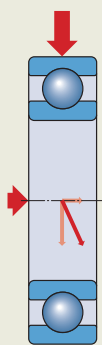
When combined loads have a large alternating axial load component, suitable solutions include:

- a pair of universally matchable angular contact ball bearings
- matched sets of tapered roller bearings
- double-row tapered roller bearings

Where a four-point contact ball bearing is used to accommodate the axial component of a combined load (fig. 2, page 70), the bearing outer ring must be mounted radially free and should not be clamped axially. Otherwise, the bearing may be subjected to unintended radial load.

Fig. 19

Direction of load



Combined load

The resulting load direction is determined by the ratio of radial to axial load.

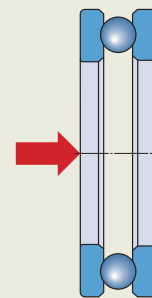
Example: Deep groove ball bearing



Pure radial load

Load direction 0°

Example: NU design cylindrical roller bearing (accommodates radial load only)



Pure axial load

Load direction 90°

Example: Thrust ball bearing (accommodates axial load only)

Speed and friction

The permissible operating temperature of rolling bearings imposes limits on the speed at which they can be operated. The operating temperature is determined, to a great extent, on the frictional heat generated in the bearing, except in machines where process heat is dominant.

An overview is provided in *Suitability of rolling bearings for industrial applications*, page 72, of the speed capability of various bearing types.

When selecting bearing type on the basis of operating speed, you should consider the following:

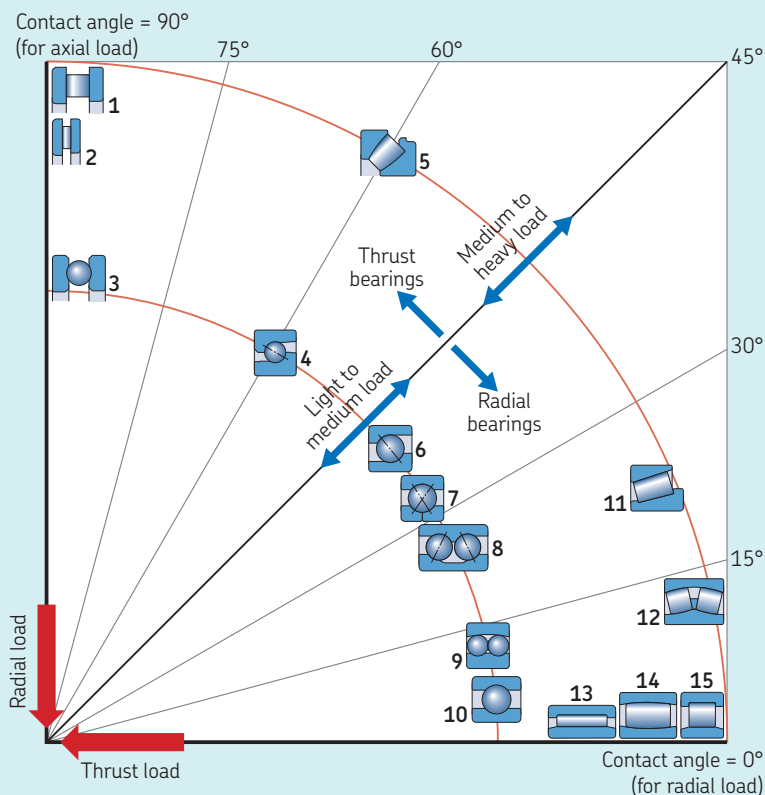
- Ball bearings have a lower frictional moment than same-sized roller bearings.
- Thrust bearings cannot accommodate speeds as high as same-sized radial bearings.
- Single row bearing types typically generate low frictional heat and are therefore more suitable for high-speed operation than double or multi-row bearings.

- Bearings with rolling elements made of ceramics (hybrid bearings) accommodate higher speeds than their all-steel equivalents.

Diagram 1

Contact angles of various bearing types

- 1 Cylindrical roller thrust bearing
- 2 Needle roller thrust bearing
- 3 Thrust ball bearing
- 4 Angular contact thrust ball bearing
- 5 Spherical roller thrust bearing
- 6 Single row angular contact ball bearing
- 7 Four-point contact ball bearing
- 8 Double row angular contact ball bearing
- 9 Self-aligning ball bearing
- 10 Deep groove ball bearing
The contact angle depends on load and clearance.
- 11 Tapered roller bearing
- 12 Spherical roller bearing
- 13 Needle roller bearing
- 14 CARB toroidal roller bearing
- 15 Cylindrical roller bearings



Misalignment

An overview is provided in *Suitability of rolling bearings for industrial applications*, page 72, of the capability of various bearing types to accommodate misalignment. The different types of misalignment are explained in table 1.

Bearing types vary in their ability to compensate for misalignment between the shaft and housing:

- **Self-aligning bearings (fig. 20)**

Self-aligning bearings can compensate for misalignment within the bearing. Values for the permissible misalignment are listed in the relevant product section.

- **Alignment bearings (fig. 21)**

Alignment bearings can accommodate initial static misalignment because of their sphered outside surface. Values for the permissible misalignment are listed in the relevant product section.

- **Rigid bearings**

Rigid bearings (deep groove ball bearings, angular contact ball bearings, cylindrical, needle and tapered roller bearings) accommodate misalignment within the limits of their internal clearance. Values for the permissible misalignment are listed in the relevant product section. For rigid bearings, any misalignment may reduce service life.

Temperature

The permissible operating temperature of rolling bearings can be limited by:

- the dimensional stability of the bearing rings and rolling elements (table 2, for details refer to the relevant product section)
- the cage (Cages, page 187)
- the seals (relevant product section)
- the lubricant (Lubrication, page 110)

Table 1

Types of misalignment	
Static misalignment	There is an initial alignment error between the two supports of a shaft.
	Shaft deflection creates misalignment between bearing inner and outer rings that is constant in magnitude and direction.
Dynamic misalignment	Varying shaft deflection creates misalignment between bearing inner and outer rings that is continuously changing in magnitude or direction.

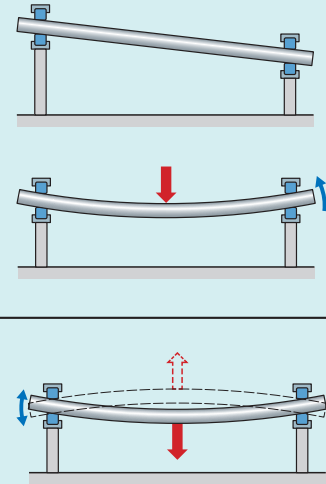
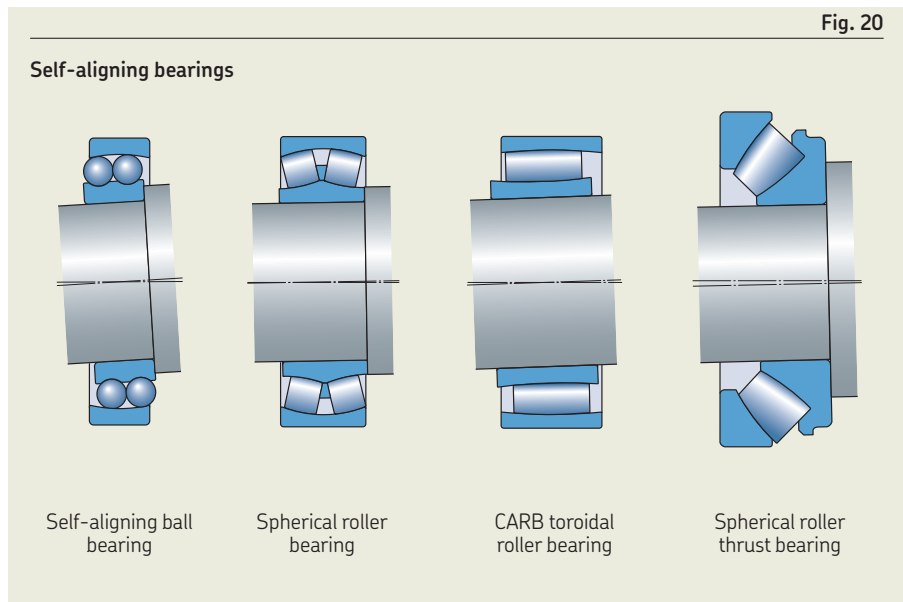


Fig. 20



Precision

Precision requirements typically do not influence bearing type selection. Most SKF bearings are available in various tolerance classes. Details are provided in the product sections.

For very high precision requirements, e.g. machine tool applications, use SKF super-precision bearings (SKF catalogue *Super-precision bearings* or available at skf.com/super-precision).

Stiffness

The stiffness of a rolling bearing is characterized by the magnitude of the elastic deformation in the bearing under load and depends not only on bearing type, but also on bearing size and operating clearance.

When selecting bearing type on the basis of stiffness requirements, you should consider, for bearings with the same size, that:

- stiffness is higher for roller than for ball bearings
- stiffness is higher for full complement bearings than for the corresponding bearing with a cage
- stiffness is higher for hybrid bearings than for the corresponding all-steel bearing
- stiffness can be enhanced by applying a preload (*Selecting preload*, [page 186](#))

Table 2

Stabilization of SKF rolling bearings

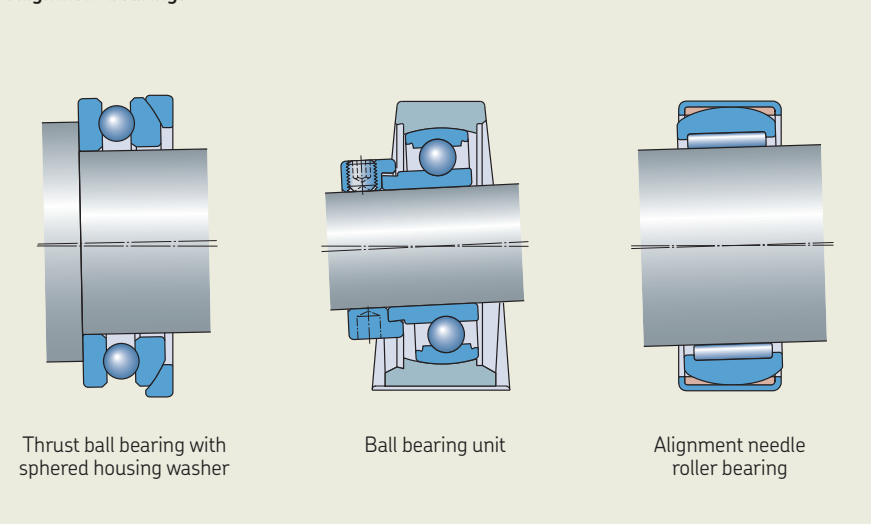
Stabilized for temperatures
 ≤ 120 °C (250 °F) ≤ 150 °C (300 °F) ≤ 200 °C (390 °F)

Ball bearings	Radial	Deep groove ball bearings	•	–	–
			Angular contact ball bearings	•	•
		Four-point contact ball bearings	•	•	–
		Self-aligning ball bearings	•	◦	–
	Thrust	Thrust ball bearings	•	• ¹⁾	–
Roller bearings	Radial	Cylindrical roller bearings	•	•	–
		Needle roller bearings	•	–	–
		Tapered roller bearings	•	•	–
		Spherical roller bearings	•	•	•
		CARB toroidal roller bearings	•	•	•
	Thrust	Cylindrical roller thrust bearings	•	–	–
		Needle roller thrust bearings	•	–	–
		Spherical roller thrust bearings	•	•	•

• Available as standard
 ◦ Check availability with SKF, check cage material
 – Check with SKF
¹⁾ Not for all sizes.

Fig. 21

Alignment bearings



Mounting and dismounting

When selecting bearing type, you should consider the mounting and dismounting requirements:

- Is it required or beneficial to mount the inner and outer ring independently?
 - Select a separable bearing.
- Is it required or beneficial to mount the bearing on a tapered seat or with a tapered sleeve?
 - Select a bearing with a tapered bore.
 - Consider using SKF ConCentra ball or roller bearing units (skf.com/ball-bearing-units and skf.com/roller-bearing-units).

Separable bearings

Separable bearings are easier to mount and dismount, particularly if interference fits are required for both rings.

For separable bearing types, refer to *Suitability of rolling bearings for industrial applications*, [page 72](#).

Tapered bore

Bearings with a tapered bore can be mounted on a tapered shaft seat or mounted on a cylindrical shaft seat using an adapter or withdrawal sleeve ([fig. 22](#)). For bearing types available with tapered bore, refer to *Suitability of rolling bearings for industrial applications*, [page 72](#).

Integral sealing

There are two reasons for sealing bearings or bearing arrangements:

- keeping the lubricant in the bearing, and avoiding pollution of adjacent components
- protecting the bearing from contamination, and prolonging bearing service life

Capped bearings (sealed bearings or bearings with shields) can provide cost-effective and space-saving solutions for many applications. Bearing types, for which integral sealing is available, are indicated in *Suitability of rolling bearings for industrial applications*, [page 72](#).

Cost and availability

Popular items

After determining your required bearing type, you may find it beneficial to select an appropriate bearing from our assortment of popular items, because they have a high level of availability and generally provide a cost-effective solution. Popular items are marked in the product tables with the symbol ▶.

Large bearings

If a required bearing has an outside diameter $D \geq 420$ mm, and is not marked as popular, then check its availability with SKF.

Capped bearings

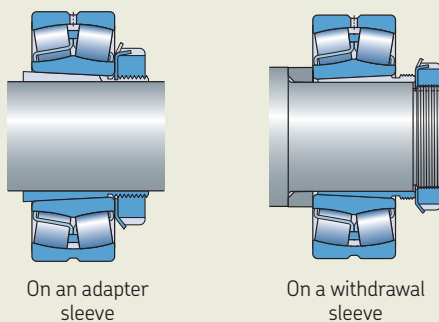
Capped (sealed bearings or bearings with shields) typically provide more cost-effective solutions than using external sealing. In addition to providing good sealing performance, these ready-greased bearings do not require initial grease fill.

Availability of standard housings and sleeves

Using standard housings and sleeves generally leads to more cost-effective bearing arrangements. Bearing types for which these standard components are available are indicated in *Suitability of rolling bearings for industrial applications*, [page 72](#).

Fig. 22

Bearings with tapered bore on sleeves





Bearing size



B.3 Bearing size

Size selection based on rating life	88
Bearing rating life	88
Bearing life definition	88
Basic rating life	89
SKF rating life	89
Calculating bearing life with variable operating conditions, fluctuating load	90
Basic dynamic load rating, C	91
Dynamic load rating for SKF Explorer bearings	91
Equivalent dynamic bearing load, P	91
Calculating equivalent dynamic bearing load	92
Equivalent mean load	92
Considerations when calculating equivalent dynamic bearing load	93
Life modification factor, a_{SKF}	94
Lubrication condition – the viscosity ratio, κ	102
κ value below 1	102
EP (extreme pressure) and AW (anti-wear) additives ..	102
Fatigue load limit, P_u	104
Contamination factor, η_c	104
Size selection based on static load	104
Static load rating	104
Equivalent static bearing load	105
Guideline values for static safety factor, s_0	106
Requisite minimum load	106
Checklist after the bearing size is determined	106
SKF life testing	107

B.3 Bearing size

The size of a bearing must be sufficient to ensure that it is strong enough to deliver the required/expected life under defined operating conditions.

A bearing can be viewed as a system of components: raceways, rolling elements, cage, seals (if present) and lubricant (fig. 1). The performance of each component contributes to or determines the performance and life of the bearing (diagram 1). Consider these aspects:

- rolling contact fatigue (RCF) on the rolling elements and raceways – this is the primary aspect that dictates bearing life in most applications
- permanent deformation of rolling elements and raceways because of heavy loads acting on the bearing, while it is stationary or oscillating slowly, or high peak loads acting on the bearing while it is rotating
- cage type or cage material – these may limit the operating speed or the permissible acceleration or temperature¹⁾

- speed limit of contacting seal lips – this can determine the maximum allowable speed, which affects operating temperature, thereby affecting life
- lubricant life – when the lubricant deteriorates, the resulting poor relubrication condition quickly reduces bearing life

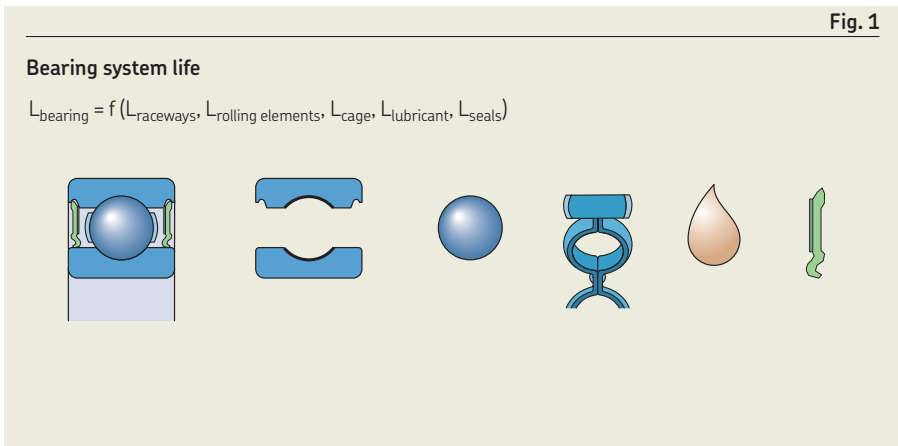
The operating conditions of the application determine which of these factors most influence the performance and life of the bearing.

This section provides guidance on determining the required bearing size.

The effect of RCF or permanent deformation on rolling elements and raceways is directly related to bearing size. Effects of cage type and material are not related to bearing size. In capped bearings, the effects of the lubricant and integral seal are only indirectly related to bearing size.

Therefore, the two main criteria that can be used for determining appropriate bearing size are:

- **Size selection based on rating life, page 88**
This is based on the required bearing life, taking into account the possible effects of rolling contact fatigue, and requires calculation of the basic rating life, L_{10} , or SKF rating life, L_{10m} , for the bearing.
- **Size selection based on static load, page 104**
This is based on the static load that the bearing can accommodate, taking into account the possible effects of permanent deformation, and requires calculation of the static safety factor, s_0 , for the bearing.



¹⁾ Special cage executions are often available for bearing types that are commonly used in applications where such challenging conditions are present.

These selection criteria and the related bearing ratings and static safety factor are shown in [diagram 2](#) and are described in detail in the relevant subsections.

Which selection criteria you should use depends on the operating conditions of the bearing:

- For applications where bearings are running in typical operating conditions – i.e. normal speeds, good lubrication conditions and not highly or peak loaded – use *Size selection based on rating life*, [page 88](#).
- For applications where bearings are running under very low speeds or which are used under stationary conditions, very bad lubrication conditions or where occasional peak loads occur, use *Size selection based on static load*, [page 104](#).

Note that there are applications where both selection criteria must be considered, for example where a duty cycle has occasional peak loads. Also, in applications where the bearing is lightly loaded, the minimum load requirement (*Requisite minimum load*, [page 106](#)) must also be considered.

After determining bearing size, and before going to the next step, check the items listed in *Checklist after the bearing size is determined*, [page 106](#).

Other attributes of the bearing components, such as strength and suitability, are addressed elsewhere in the *Bearing selection process*, including *Lubrication*, [page 110](#), and *Bearing execution*, [page 182](#), as well as in the product sections. Consider these attributes, in addition to bearing size, to ensure you obtain best bearing performance.

Diagram 1

Performance and related bearing system components

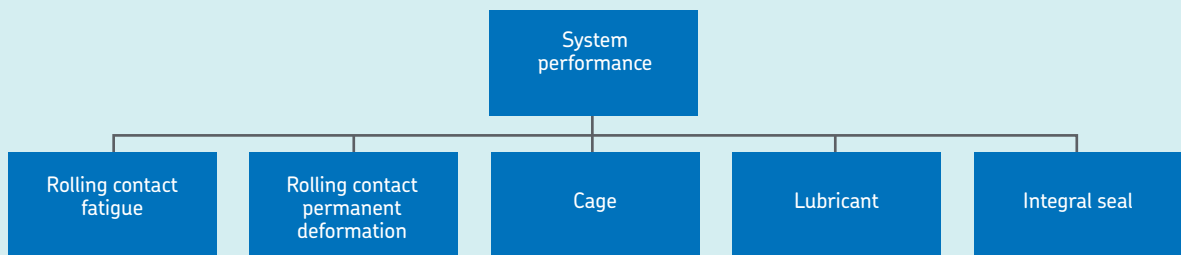
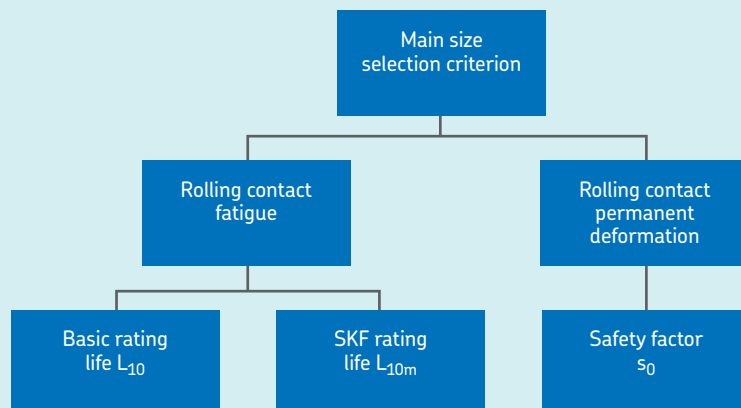


Diagram 2

Main selection criteria for bearing size and related bearing ratings and safety factor



Size selection based on rating life

For applications where bearings are running in typical operating conditions – i.e. normal speeds, good lubrication conditions and not highly or peak loaded – determine the appropriate bearing size based on the required bearing life, taking into account the possible effects of rolling contact fatigue (RCF).

This subsection describes the bearing rating life equations and the factors that must be determined to make the evaluation:

- *Bearing rating life* – the basis for bearing rating life, showing how to calculate basic rating life, L_{10} , and SKF rating life, L_{10m}
- *Basic dynamic load rating, C*, [page 91](#)
- *Equivalent dynamic bearing load, P*, [page 91](#)
- *Life modification factor, a_{SKF}* , [page 94](#)
- *Lubrication condition – the viscosity ratio, κ* , [page 102](#)
- *Fatigue load limit, P_w* , [page 104](#)
- *Contamination factor, η_c* , [page 104](#)

Bearing rating life

For estimating the expected bearing life, you can either use basic rating life, L_{10} , or SKF rating life, L_{10m} .

If you have experience with the operating conditions related to lubrication and contamination, and know that the conditions you are working with do not have a dramatic effect on the life of your bearings, use the basic rating life calculation, otherwise SKF recommends using the SKF rating life.

Bearing life definition

Bearing life is defined as the number of revolutions (or the number of operating hours) at a given speed that the bearing is capable of enduring before the first sign of metal fatigue (spalling) occurs on a rolling element or the raceway of the inner or outer ring.

Tests on seemingly identical bearings, under identical operating conditions, result in a large variation in the number of cycles, or time, needed to cause metal fatigue. Therefore, bearing life estimates based on rolling contact fatigue (RCF) are insufficiently

accurate and so a statistical approach is needed to determine bearing size.

The basic rating life, L_{10} , is the fatigue life that 90% of a sufficiently large group of apparently identical bearings, operating under identical operating conditions, can be expected to attain or exceed.

To determine a relevant bearing size using the definition given here, compare the calculated rating life against the service life expectations of the bearing application, using experience from previous dimensioning where available. Otherwise, use the guidelines regarding specification life of various bearing applications provided in [table 1](#) and [table 2](#).

Because of the statistical spread of bearing fatigue life, an observed time to failure for an individual bearing can be evaluated in relation to its rated life, only if the failure probability of that particular bearing is determined in relation to the general population of bearings running under similar conditions.

Numerous investigations on bearing failure, in a variety of applications, have confirmed that design guidelines based on 90% reliability, and use of dynamic safety factors, lead to robust bearing solutions in which typical fatigue failures are avoided.

Table 1

Guideline values of specification life for different machine types

Machine type	Specification life Operating hours
Household machines, agricultural machines, instruments, technical equipment for medical use	300 ... 3 000
Machines used for short periods or intermittently: electric hand tools, lifting tackle in workshops, construction equipment and machines	3000 ... 8 000
Machines used for short periods or intermittently where high operational reliability is required: lifts (elevators), cranes for packaged goods or slings of drums, etc.	8 000 ... 12 000
Machines for use 8 hours a day, but not always fully utilized: gear drives for general purposes, electric motors for industrial use, rotary crushers	10 000 ... 25 000
Machines for use 8 hours a day and fully utilized: machine tools, woodworking machines, machines for the engineering industry, cranes for bulk materials, ventilator fans, conveyor belts, printing equipment, separators and centrifuges	20 000 ... 30 000
Machines for continuous 24-hour use: rolling mill gear units, medium-sized electrical machinery, compressors, mine hoists, pumps, textile machinery	40 000 ... 50 000
Wind energy machinery, this includes main shaft, yaw, pitching gearbox, generator bearings	30 000 ... 100 000
Water works machinery, rotary furnaces, cable stranding machines, propulsion machinery for ocean-going vessels	60 000 ... 100 000
Large electric machines, power generation plant, mine pumps, mine ventilator fans, tunnel shaft bearings for ocean-going vessels	100 000 ... 200 000

Basic rating life

If you consider only the load and speed, you can use the basic rating life, L_{10} .

The basic rating life of a bearing in accordance with ISO 281 is

$$L_{10} = \left(\frac{C}{P}\right)^p$$

If the speed is constant, it is often preferable to calculate the life expressed in operating hours using

$$L_{10h} = \frac{10^6}{60 n} L_{10}$$

where

L_{10} = basic rating life (at 90% reliability)
[millions of revolutions]

L_{10h} = basic rating life (at 90% reliability)
[operating hours]

C = basic dynamic load rating [kN]

P = equivalent dynamic bearing load [kN]

n = rotational speed [r/min]

p = exponent of the life equation

= 3 for ball bearings

= 10/3 for roller bearings

SKF rating life

For modern high-quality bearings, the calculated basic rating life can deviate significantly from the actual service life in a given application. Service life in a particular application depends not only on load and bearing size, but also on a variety of influencing factors including lubrication, degree of contamination, proper mounting and other environmental conditions.

ISO 281 uses a modified life factor to supplement the basic rating life. The life modification factor a_{SKF} applies the same concept of a fatigue load limit P_u (*Fatigue load limit*, P_u , [page 104](#)) as used in ISO 281. Values of P_u are listed in the product tables. Just as in ISO 281, to reflect three of the important operating conditions, the life modification factor a_{SKF} takes the lubrication conditions (*Lubrication condition – the viscosity ratio*, κ , [page 102](#)), the load level in relation to the bearing fatigue load limit, and a factor η_c for the contamination level (*Contamination factor*, η_c , [page 104](#)) into consideration using

$$L_{nm} = a_1 a_{SKF} L_{10} = a_1 a_{SKF} \left(\frac{C}{P}\right)^p$$

If the speed is constant, the life can be expressed in operating hours, using

$$L_{nmh} = \left(\frac{10^6}{60 n}\right) L_{nm}$$

where

L_{nm} = SKF rating life (at 100 – n^1)% reliability) [millions of revolutions]

L_{nmh} = SKF rating life (at 100 – n^1)% reliability) [operating hours]

L_{10} = basic rating life (at 90% reliability) [millions of revolutions]

a_1 = life adjustment factor for reliability ([table 3, page 90](#), values in accordance with ISO 281)

a_{SKF} = SKF life modification factor

C = basic dynamic load rating [kN]

P = equivalent dynamic bearing load [kN]

n = rotational speed [r/min]

p = exponent of the life equation

= 3 for ball bearings

= 10/3 for roller bearings

For 90% reliability:

L_{nm} = SKF rating life (at 100 – n^1)% reliability) [million revolutions]

Becomes:

L_{10m} = SKF rating life [million revolutions]

Since the life adjustment factor a_1 is related to fatigue, it is less relevant for load levels P below the fatigue load limit P_u . Dimensioning with life adjustment factors reflecting very high reliability (such as 99%) will result in large bearings for given loads. In these cases, the bearing load must be checked against the minimum load requirement for the bearing. Calculating minimum load is described in *Requisite minimum load*, [page 106](#).

Commonly used conversion factors for bearing life in units other than million revolutions are provided in [table 4, page 91](#).

Table 2

Guideline values of specification life for axlebox bearings and units for railway vehicles

Type of vehicle	Specification life Million kilometres
Freight wagons to UIC specification based on continuously acting maximum axle load	0,8
Mass transit vehicles: suburban trains, underground carriages, light rail and tramway vehicles	1,5
Main line passenger coaches	3
Main line diesel and electric multiple units	3 ... 4
Main line diesel and electric locomotives	3 ... 5

¹⁾ The factor n represents the failure probability, which is the difference between the requisite reliability and 100%.

B.3 Bearing size

Calculating bearing life with variable operating conditions, fluctuating load

In some applications – for example, industrial gearboxes, vehicle transmissions or wind-mills – the operating conditions, such as the magnitude and direction of loads, speeds, temperatures and lubrication conditions, are continually changing. In these types of applications, bearing life cannot be calculated without first reducing the load spectrum or duty cycle of the application to a limited number of simplified load cases (diagram 3).

For continuously changing loads, each different load level can be accumulated and the load spectrum reduced to a histogram plotting constant-load blocks. Each block should characterize a given percentage or time-fraction during operation. Heavy and normal loads consume bearing life at a faster rate than light loads. Therefore, it is important to have peak loads well represented in the load diagram, even if the occurrence of these loads is relatively rare and of relatively short duration.

Within each duty interval, the bearing load and operating conditions can be averaged to a representative, constant value. The number of operating hours or revolutions expected from each duty interval, showing the life fraction required by that particular load condition, should also be included. Therefore, if N_1 equals the number of revolutions

required under the load condition P_1 , and N is the expected number of revolutions for the completion of all variable loading cycles, then the cycle fraction $U_1 = N_1/N$ is used by the load condition P_1 , which has a calculated life of L_{10m1} . Under variable operating conditions, bearing life can be rated using

$$L_{10m} = \frac{1}{\frac{U_1}{L_{10m1}} + \frac{U_2}{L_{10m2}} + \frac{U_3}{L_{10m3}} + \dots}$$

where

L_{10m} = SKF rating life (at 90% reliability) [million revolutions]

$L_{10m1}, L_{10m2}, \dots$ = SKF rating lives (at 90% reliability) under constant conditions 1, 2, ... [million revolutions]

U_1, U_2, \dots = life cycle fraction under the conditions 1, 2, ...
 $U_1 + U_2 + \dots + U_n = 1$

The use of this calculation method is well suited for application conditions of varying load level and varying speed with known time fractions.

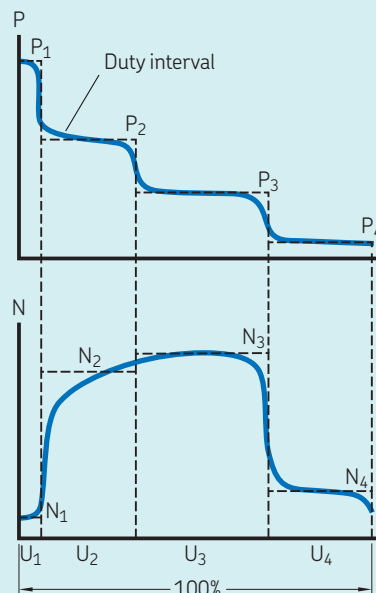
Table 3

Values for life adjustment factor a_1

Reliability	Failure probability n	SKF rating life L_{nm}	Factor a_1
%	%	million revolutions	–
90	10	L_{10m}	1
95	5	L_{5m}	0,64
96	4	L_{4m}	0,55
97	3	L_{3m}	0,47
98	2	L_{2m}	0,37
99	1	L_{1m}	0,25

Diagram 3

Duty intervals with constant bearing load P and number of revolutions N



Basic dynamic load rating, C

The basic dynamic load rating C is used for calculating basic rating life and SKF rating life for bearings that rotate under load. The C value is defined as: the bearing load that will result in an ISO 281 basic rating life of 1 000 000 revolutions. It is assumed that the load is constant in magnitude and direction and is radial for radial bearings and axial, centrally acting, for thrust bearings.

The basic dynamic load ratings for SKF bearings are determined in accordance with the procedures outlined in ISO 281, and apply to bearings made of chromium bearing steel, heat treated to a minimum hardness of 58 HRC, operating under normal conditions.

Dynamic load rating for SKF Explorer bearings

SKF Explorer bearings have undergone design, material and manufacturing improvements that require adjusted factors to calculate the dynamic load ratings in accordance with ISO 281. The SKF Explorer adjusted dynamic load ratings, which are higher than the ratings for SKF basic design bearings, are verified by extensive endurance testing.

To fully utilize the improved performance of SKF Explorer bearings, the SKF rating life calculation including the life modification factor a_{SKF} is recommended. In fact, it is the modified rating life of the bearing, L_{10m} , rather than the dynamic load rating, C, that provides the most valuable information regarding the endurance performance of a bearing. For detailed information, refer to *Life modification factor, a_{SKF}* , [page 94](#).

Equivalent dynamic bearing load, P

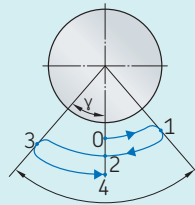
When calculating the bearing rating life, a value for equivalent dynamic bearing load is required for both basic bearing life and SKF bearing life equations.

The loads acting on a bearing are calculated according to the laws of mechanics using the external forces – such as forces from power transmission, work forces, gravitational or inertial forces – that are known or can be calculated.

In real-world circumstances, the loads acting on a bearing may not be constant, can act both radially and axially, and are subject to other factors that require the load calculations to be modified or, in some cases, simplified.

Table 4

Unit conversion factors for bearing life



The complete oscillation = 4 γ
(= from point 0 to point 4)

Basic units	Conversion factor Million revolutions	Operating hours	Million kilometres	Million oscillation cycles ¹⁾
1 million revolutions	1	$\frac{10^6}{60 n}$	$\frac{\pi D}{10^3}$	$\frac{180}{2 \gamma}$
1 operating hour	$\frac{60 n}{10^6}$	1	$\frac{60 n \pi D}{10^9}$	$\frac{180 \times 60 n}{2 \gamma 10^6}$
1 million kilometres	$\frac{10^3}{\pi D}$	$\frac{10^9}{60 n \pi D}$	1	$\frac{180 \times 10^3}{2 \gamma \pi D}$
1 million oscillation cycles ¹⁾	$\frac{2 \gamma}{180}$	$\frac{2 \gamma 10^6}{180 \times 60 n}$	$\frac{2 \gamma \pi D}{180 \times 10^3}$	1

D = vehicle wheel diameter [m]

n = rotational speed [r/min]

γ = oscillation amplitude (angle of max. deviation from centre position) [°]

¹⁾ Not valid for small amplitudes ($\gamma < 10^\circ$).

B.3 Bearing size

Calculating equivalent dynamic bearing load

The load value, P , used in the bearing rating life equations is the equivalent dynamic bearing load. The equivalent dynamic bearing load is defined as: a hypothetical load, constant in magnitude and direction, that acts radially on radial bearings and axially and centrally on thrust bearings.

This hypothetical load, when applied, would have the same influence on bearing life as the actual loads to which the bearing is subjected (fig. 2).

If a bearing is loaded with simultaneously acting radial load F_r and axial load F_a that are constant in magnitude and direction, the equivalent dynamic bearing load P can be obtained from the general equation.

$$P = X F_r + Y F_a$$

where

P = equivalent dynamic bearing load [kN]

F_r = actual radial bearing load [kN]

F_a = actual axial bearing load [kN]

X = radial load factor for the bearing

Y = axial load factor for the bearing

An axial load only influences the equivalent dynamic load P for a single row radial bearing if the ratio F_a/F_r exceeds a certain limiting factor e . With double row bearings, even light axial loads influence the equivalent load and have to be considered.

The same general equation also applies to spherical roller thrust bearings, which can accommodate both axial and radial loads.

Certain thrust bearings, such as thrust ball bearings and cylindrical and needle roller thrust bearings, can only accommodate pure axial loads. For these bearings, provided the load acts centrally, the equation is simplified to

$$P = F_a$$

Information and data required for calculating the equivalent dynamic bearing load for the different bearing types is provided in the relevant product sections.

Equivalent mean load

Other loads may vary with time. For these situations, an equivalent mean load must be calculated.

Mean load within a duty interval

Within each loading interval, the operating conditions can vary slightly from the nominal value. Assuming that the operating conditions, such as speed and load direction, are fairly constant and the magnitude of the load constantly varies between a minimum value F_{min} and a maximum value F_{max} (diagram 4), the mean load can be calculated using

$$F_m = \frac{F_{min} + 2F_{max}}{3}$$

Rotating load

If, as illustrated in diagram 5, the load on the bearing consists of a load F_1 which is constant in magnitude and direction, such as the weight of a rotor, and a rotating constant load F_2 such as an unbalanced load, the mean load can be calculated using

$$F_m = f_m (F_1 + F_2)$$

Values for the factor f_m are provided in diagram 6.

Peak load

High loads acting for short times (diagram 7) may not influence the mean load used in a fatigue life calculation. Evaluate such peak loads against the bearing static load rating C_0 , using a suitable static safety factor s_0 (Size selection based on static load, page 104).

Fig. 2

Equivalent dynamic bearing load

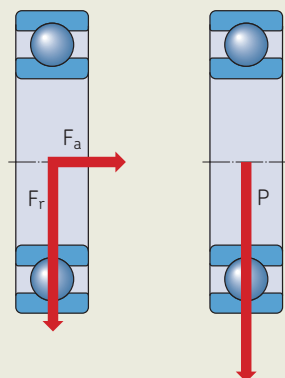


Diagram 4

Load averaging

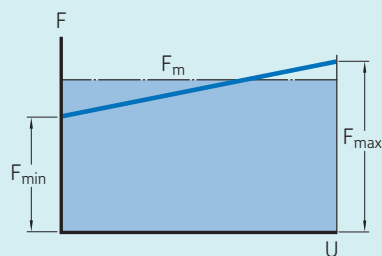
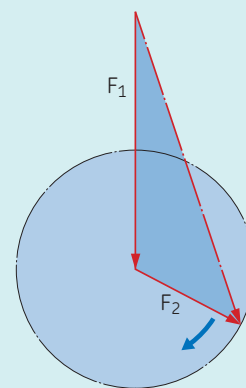


Diagram 5

Rotating load



Considerations when calculating equivalent dynamic bearing load

For the sake of simplification, when calculating the load components for bearings supporting a shaft, the shaft is considered as a statically determined beam resting on rigid, moment-free supports. Elastic deformations in the bearing, the housing or the machine frame are not considered, nor are the moments produced in the bearing as a result of shaft deflection. These simplifications are necessary if you are making bearing arrangement calculations without the aid of relevant computer software. The standardized methods for calculating basic load ratings and equivalent bearing loads are based on similar assumptions.

It is possible to calculate bearing loads based on the theory of elasticity, without making the above assumptions, but this requires the use of complex computer programs (SKF SimPro Quick and SKF SimPro Expert). In these programs, the bearings, shaft and housing are considered as resilient components of a system.

If external forces and loads – such as inertial forces or loads resulting from the weight of a shaft and its components – are not known, they can be calculated. However, when determining work forces and loads – such as rolling forces, moment loads, unbalanced loads and impact loads – it may be necessary to rely on estimates based on experience with similar machines or bearing arrangements.

Geared transmissions

With geared transmissions, the theoretical tooth forces can be calculated from the power transmitted and the design characteristics of the gear teeth. However, there are additional dynamic forces, produced either by the gear, or by the input or output shaft. Additional dynamic forces from gears can be the result of pitch or form errors of the teeth and from unbalanced rotating components. Gears produced to a high level of accuracy have negligible additional forces. For lower precision gears, use the following gear load factors:

- pitch and form errors < 0,02 mm: 1,05 to 1,1
- pitch and form errors 0,02 to 0,1 mm: 1,1 to 1,3

Additional forces arising from the type and mode of operation of the machines that are coupled to the transmission can only be determined when the operating conditions, the inertia of the drive line and the behaviour of couplings or other connectors are known. Their influence on the rating lives of the bearings is included by using an “operation” factor that takes into account the dynamic effects of the system.

Belt drives

When calculating bearing loads for belt driven applications, “belt pull” must be taken into consideration. Belt pull, which is a circumferential load, depends on the amount of torque being transmitted. The belt pull must be multiplied by a factor whose value depends on the type of belt, belt tension and any additional dynamic forces. Belt manufacturers usually publish the values. However, should information not be available, the following can be used:

- toothed belts = 1,1 to 1,3
- V-belts = 1,2 to 2,5
- plain belts = 1,5 to 4,5

The larger values apply:

- where the distance between shafts is short
- for heavy or peak load type duty
- where belt tension is high

Diagram 6

Rotating load

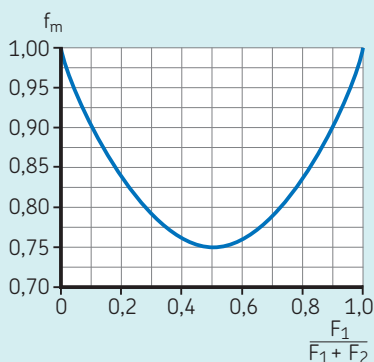
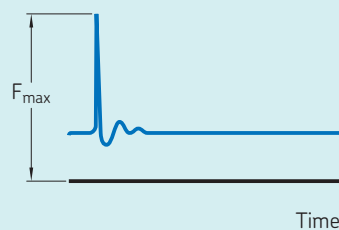


Diagram 7

Short time peak load



Life modification factor, a_{SKF}

The life modification factor a_{SKF} expands the scope of the basic rating life model, L_{10} , which depends purely on load and size, by taking the following important operational factors into account:

- the fatigue load limit in relation to the acting bearing equivalent load (P_u/P)
- the effect of the contamination level in the bearing (η_c)
- the lubrication condition (viscosity ratio κ)

This makes the resulting SKF rating life, L_{10m} , more encompassing than L_{10} when verifying bearing size selection:

$$L_{10m} = a_1 a_{SKF} L_{10} = a_1 a_{SKF} \left(\frac{C}{P}\right)^p$$

A graph for estimating a_{SKF} is shown in [diagram 8](#). The horizontal axis represents the combined influence of load and contamination on fatigue. The viscosity ratio, κ , represents the lubrication conditions and their influence on fatigue.

Use [diagram 8](#) to see how operating conditions affect the basic rating life:

- **Area A** is dominated by very high load and/or severe indentations.
The lubricating conditions in this domain can only marginally improve the expected fatigue life, so a potential life improvement depends on what dominates the relationship between the contamination level factor and the load level P_u/P . To achieve a greater SKF rating life, either the load must be reduced, or the cleanliness must be improved, or both.
- **Area B** offers high life modification factors, which is beneficial because a large life modification value will convert a low basic rating life sufficiently to produce a large SKF rating life.

In this part of the graph, small deviations from estimated load level, cleanliness factor and lubrication conditions will greatly affect the life modification factor. Small changes to lubricating conditions, slightly higher loading and larger indentation severity (for example, from mounting or transport damage) may result in a change in a_{SKF} from 50 to 5. This would result in a 90% loss of SKF rating life. In cases where the SKF rating life consists of

a large life modification factor a_{SKF} and a limited basic rating life L_{10} , the impact of variations in operating conditions should be evaluated in a sensitivity analysis.

- **Area C** is where the life modification factor is less sensitive to changes.

Deviations from estimated load level, cleanliness factor and lubrication conditions (for example, from uncertainties in temperature) will not substantially affect the value of a_{SKF} , which means the resulting SKF rating life is more robust.

In the load level domain, area C has the ranges:

- $P_u \leq P \leq 0,5 C$ for ball bearings
- $P_u \leq P \leq 0,33 C$ for roller bearings

Use the schematic a_{SKF} graph to evaluate how changes to operational conditions would affect the life modification factor. This can help you check whether a potential benefit is worth the effort. For example, you can see how:

- improved cleanliness (better sealing, filtration and assembly conditions) increases the contamination level factor η_c
- cooling or using a lubricant with higher viscosity increases the viscosity ratio κ
- choosing a larger bearing size increases the ratio P_u/P (and the basic rating life L_{10})
- using SKF Explorer bearings allows a more favourable scale on the horizontal axis for the combined effect of the η_c times P_u/P

The following graphs show plots of the life modification factor a_{SKF} for the four bearing types, as a function of $\eta_c(P_u/P)$, for SKF Explorer and SKF basic design bearings, and for different values of the viscosity ratio κ :

- [diagram 9, page 96](#): radial ball bearings
- [diagram 10, page 97](#): radial roller bearings
- [diagram 11, page 98](#): thrust ball bearings
- [diagram 12, page 99](#): thrust roller bearings

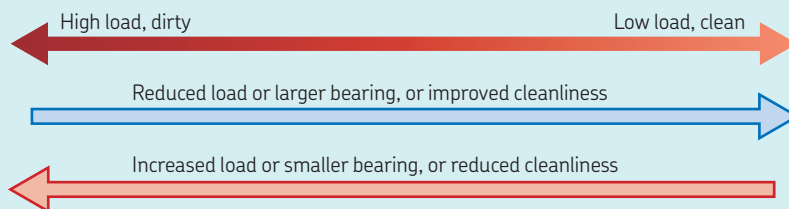
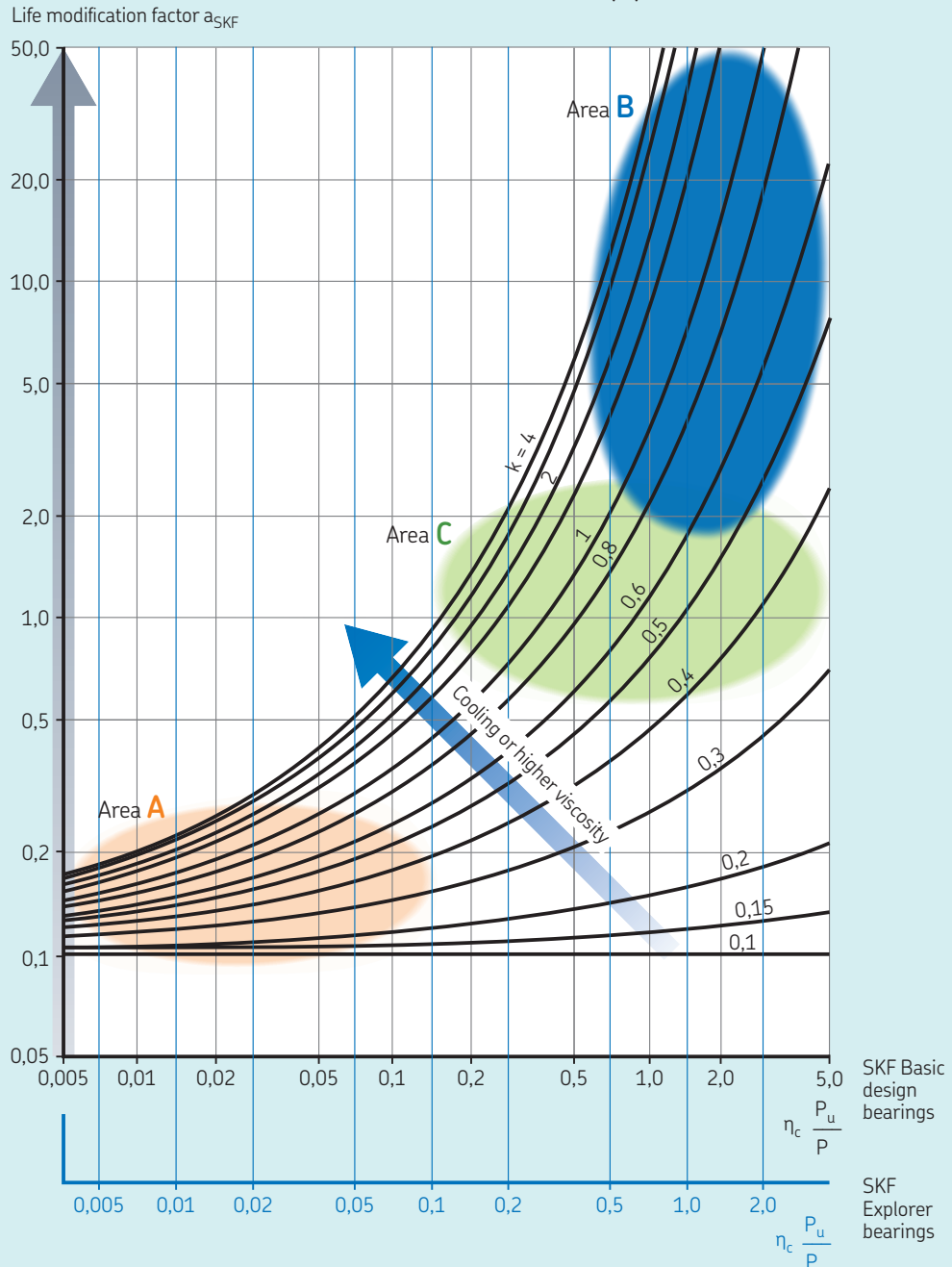
NOTE

The graphs in [diagram 9, 10, 11](#) and [12](#) are plotted for values and safety factors typically associated with fatigue load limits for other mechanical components. Considering the simplifications inherent in the SKF rating life equation, even if the operating conditions are accurately identified, it is not meaningful to use values of a_{SKF} in excess of 50.

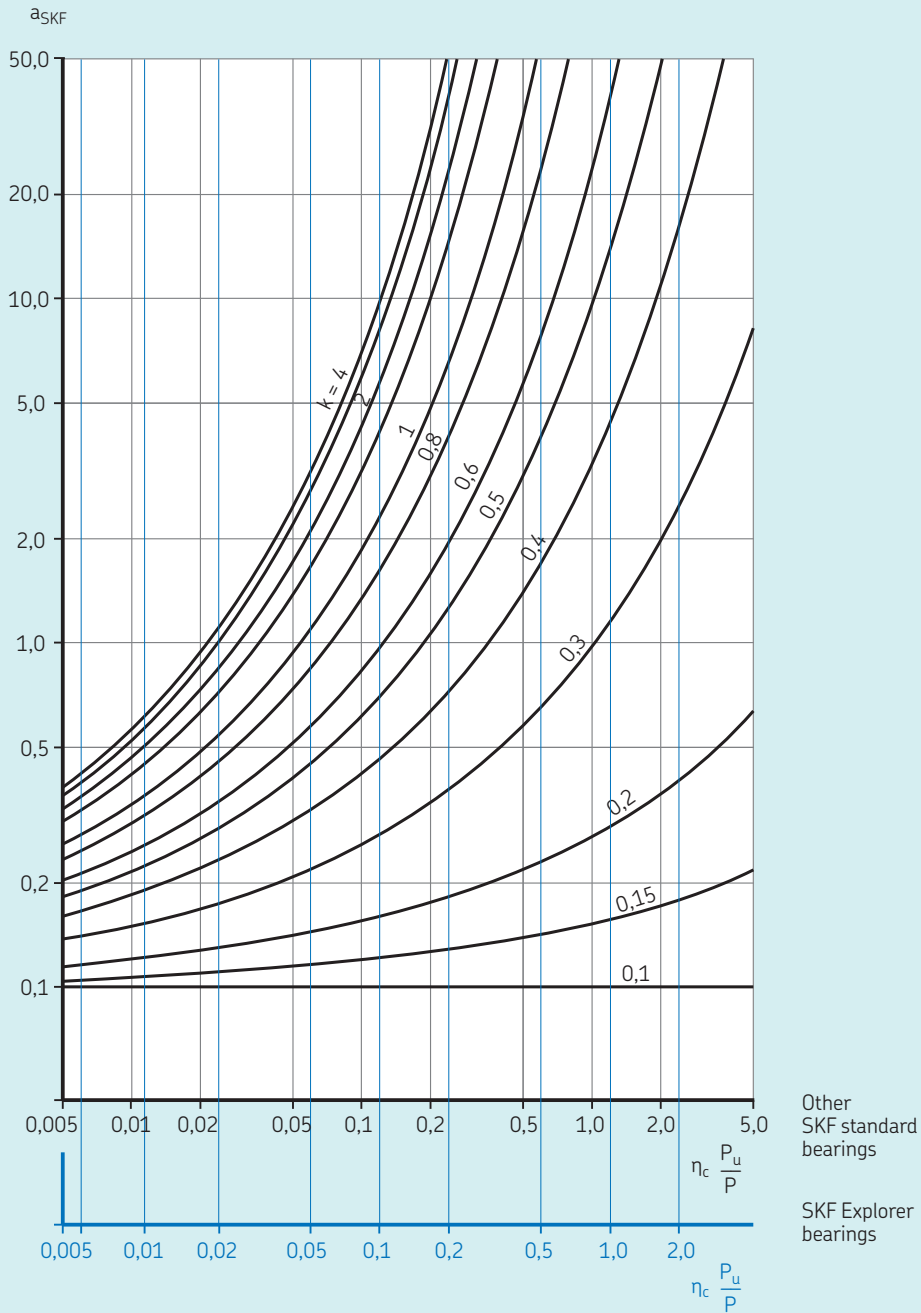
Diagram 8

Factors influencing the life modification factor, a_{SKF}

$$L_{nm} = a_1 a_{SKF} L_{10} = a_1 a_{SKF} \left(\frac{C}{P}\right)^p$$

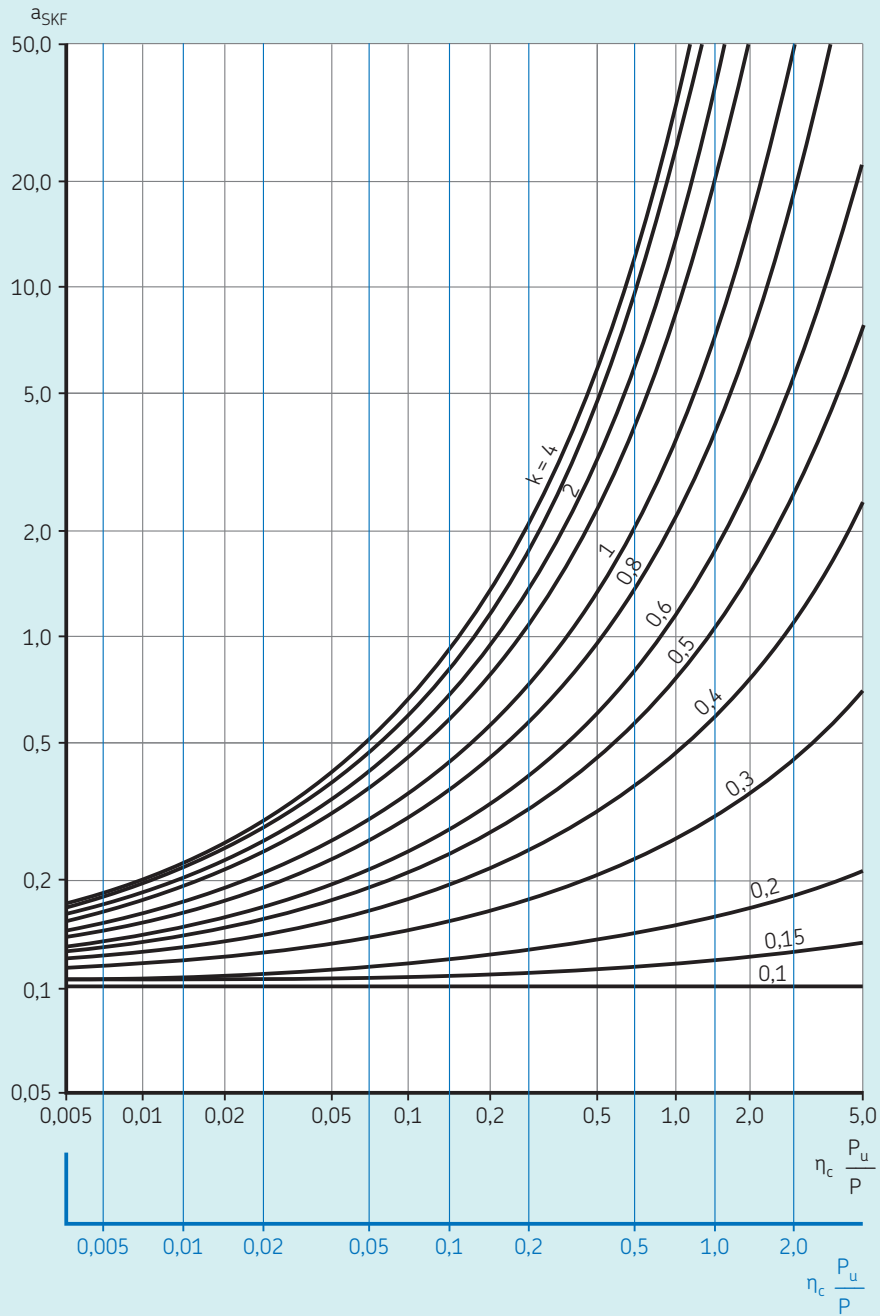


Factor a_{SKF} for radial ball bearings



B.3 Bearing size

Factor a_{SKF} for radial roller bearings



Other
SKF standard
bearings

SKF Explorer
bearings

Factor a_{SKF} for thrust ball bearings

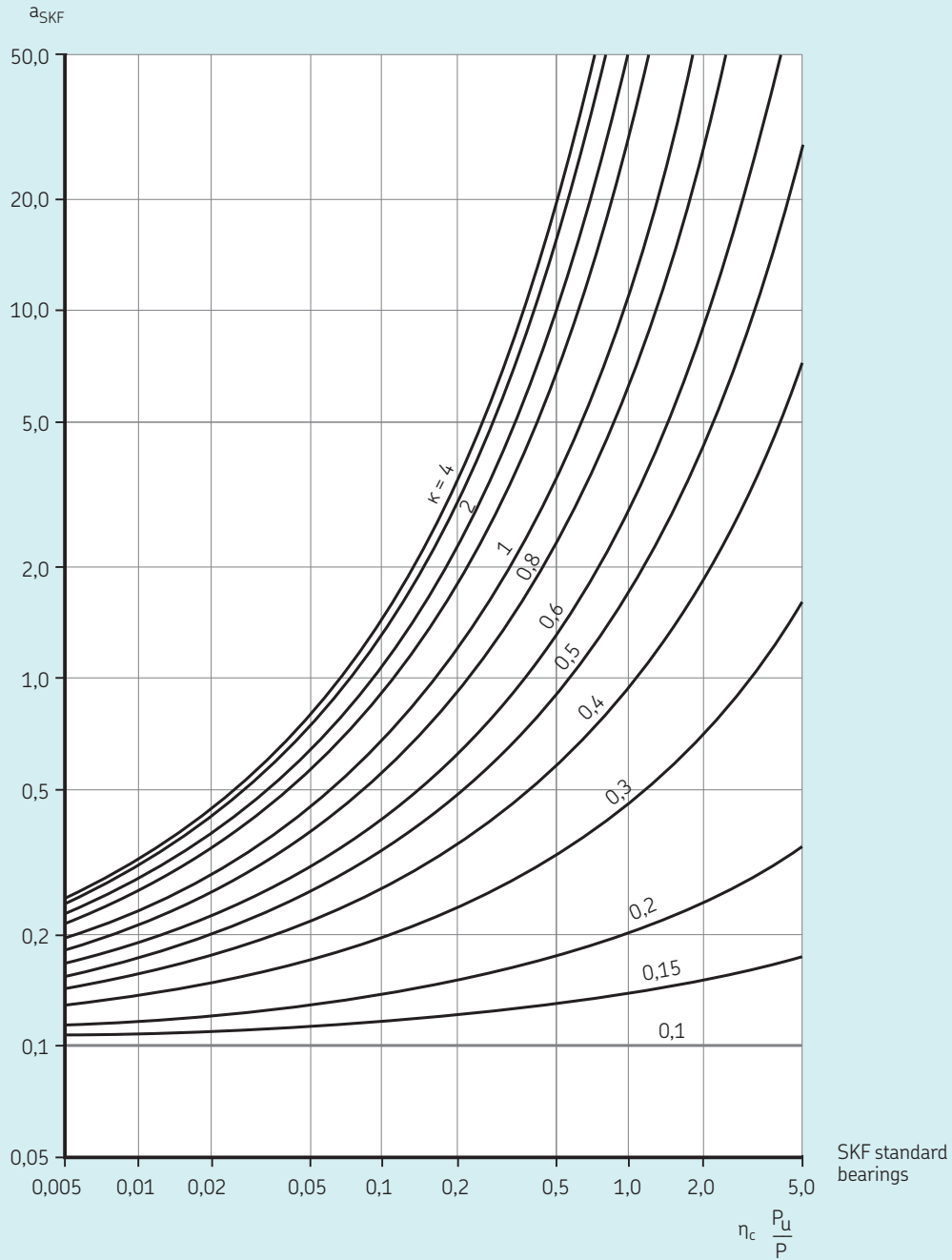
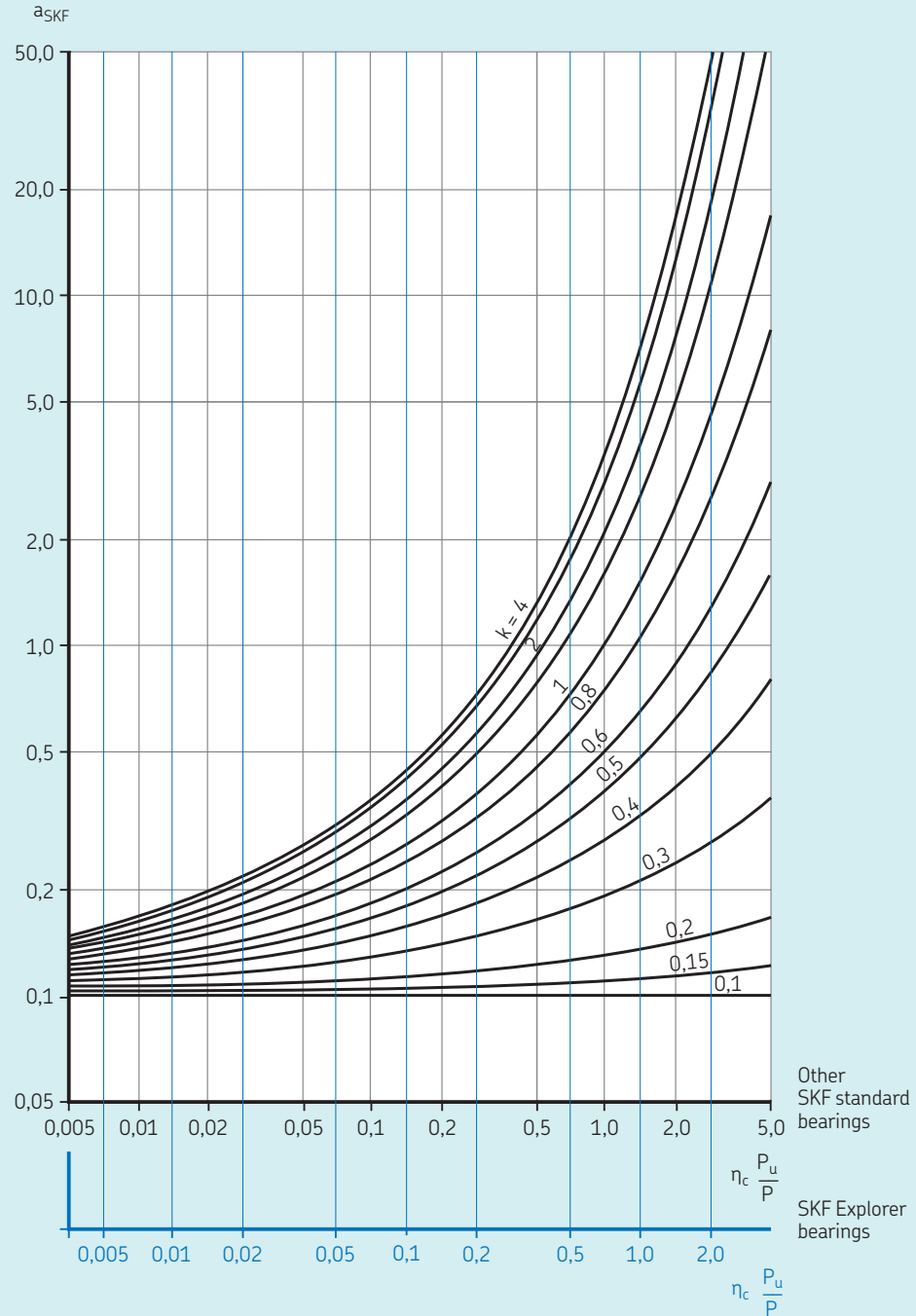
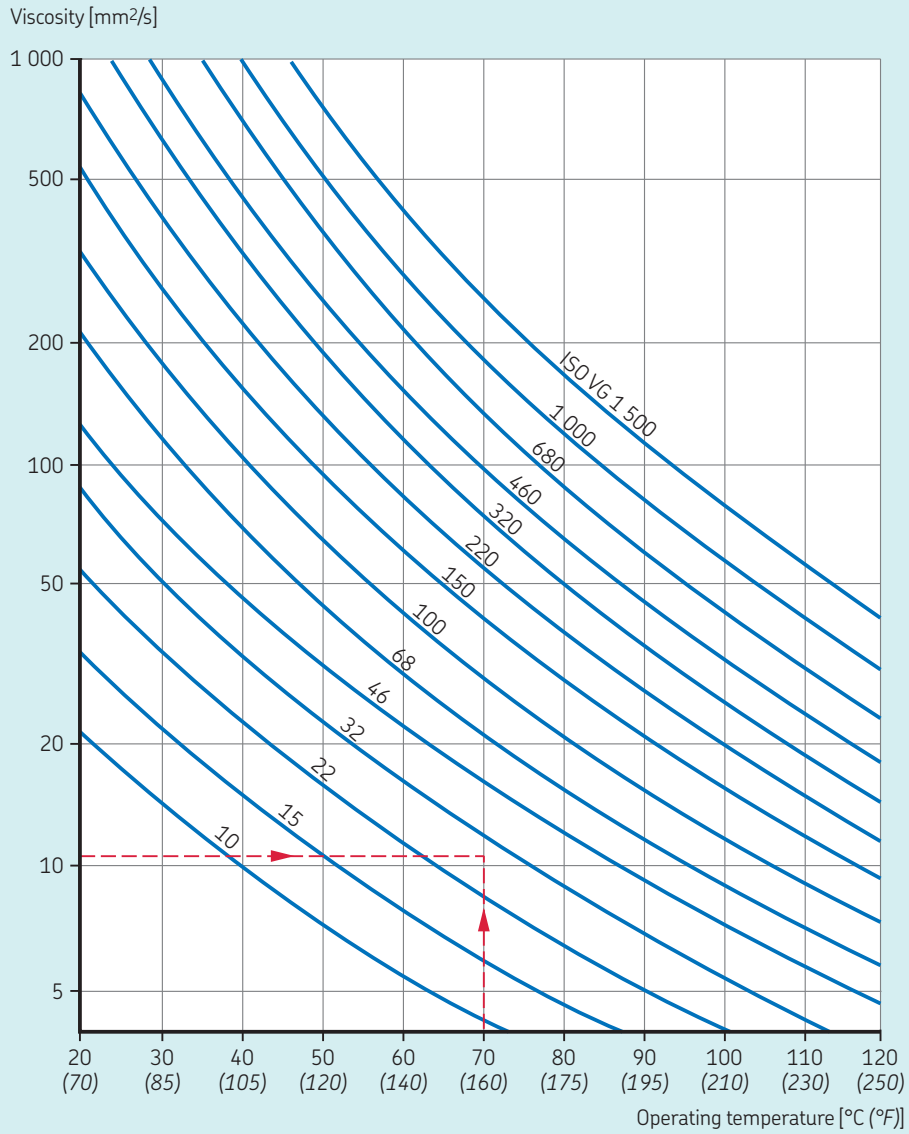


Diagram 12

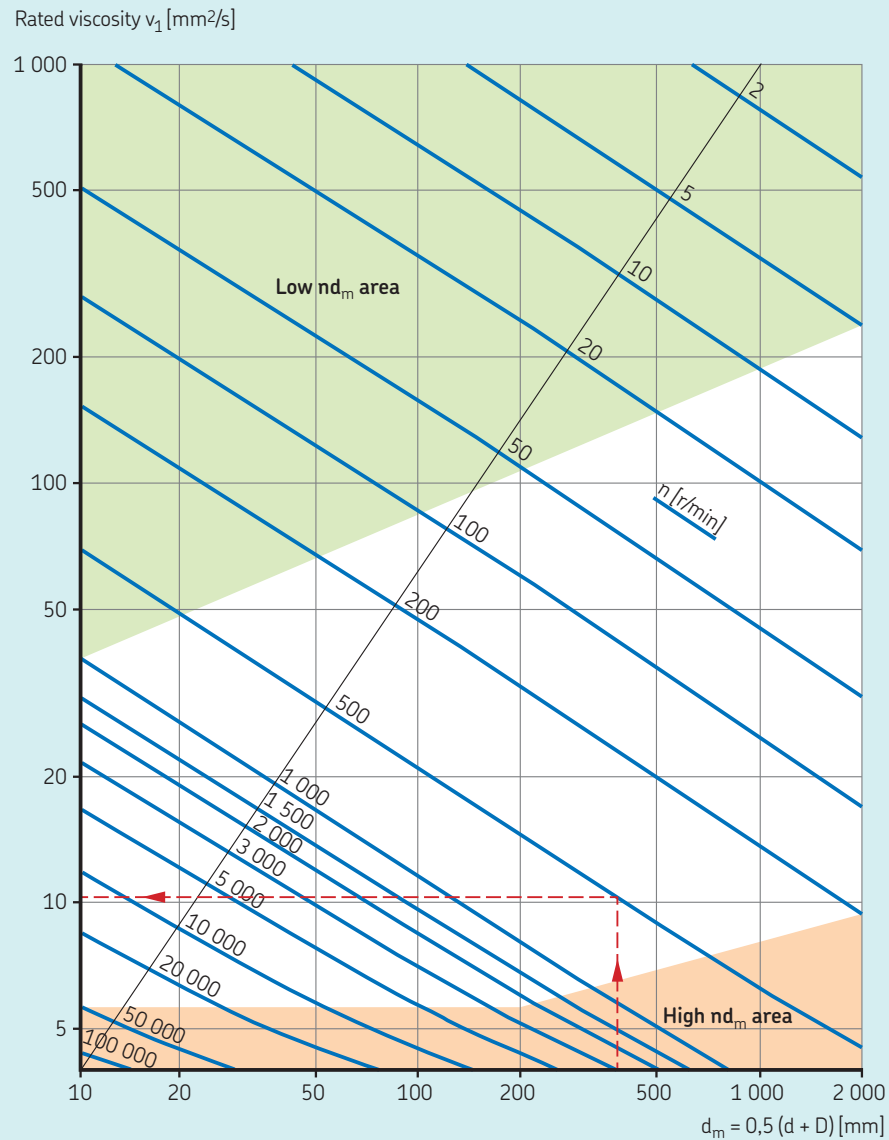
Factor a_{SKF} for thrust roller bearings



Viscosity-temperature diagram for ISO viscosity grades
(Mineral oils, viscosity index 95)



B.3 Bearing size

Estimation of the rated viscosity v_1 

Low nd_m area, where $nd_m \leq 10\,000$ mm/min.
At these lower nd_m values, AW or EP additives are needed to reduce wear.

High nd_m area, where $nd_m \geq 500\,000$ mm/min for $d_m \leq 200$ mm, and $nd_m \geq 400\,000$ mm/min for $d_m > 200$ mm.
At these higher nd_m values, operating temperature must be given more attention. Certain bearing types, such as spherical roller bearings, tapered roller bearings and spherical roller thrust bearings, normally have a higher operating temperature than others, such as deep groove ball bearings and cylindrical roller bearings, under comparable operating conditions.

Lubrication condition – the viscosity ratio, κ

When a bearing has reached its normal speed and operating temperature, the lubrication condition of the bearing is:

$$\kappa = \frac{\nu}{\nu_1}$$

where

κ = lubrication condition of the bearing, i.e. viscosity ratio

ν = actual operating viscosity of the oil or the grease base oil [mm²/s]

ν_1 = rated viscosity, function of the mean bearing diameter and rotational speed [mm²/s]

The actual operating viscosity, ν , of the lubricant can be determined from the ISO viscosity grade of the oil, or the grease base oil, and the operating temperature of the bearing ([diagram 13, page 100](#)).

You can determine the rated viscosity, ν_1 , from [diagram 14, page 101](#), using the bearing mean diameter $d_m = 0,5(d + D)$ [mm] and the rotational speed of the bearing, n [r/min]. Alternatively, you can use the *SKF Bearing Calculator* (skf.com/bearingcalculator).

Viscosity grades, in accordance with ISO 3448, are listed in [table 5](#), along with the viscosity range for each grade at 40 °C (105 °F).

The higher the κ value, the better the lubrication condition of the bearing and its expected rated life. This must be judged against the possible friction increase because of the higher oil viscosity. Therefore, most bearing applications are designed for a lubrication condition ranging from κ 1 to 4 ([diagram 15](#)). Alternatively, you can use the *SKF Bearing Calculator* (skf.com/bearingcalculator) to calculate the lubrication condition.

- $\kappa = 4$ indicates a regimen for which the rolling contact load is carried by the lubricant film – i.e. full film lubrication.
- $\kappa > 4$ (i.e. better than full film lubrication) will not further increase the rating of the bearing. However, $\kappa > 4$ may be useful in applications where the bearing temperature rise is small and additional lubrication condition reliability is desirable. This would apply, for example, to bearing applications with frequent start-stop running conditions or occasional temperature variations.
- $\kappa < 0,1$ indicates a regimen for which the rolling element load is carried by the contact of the asperities between rolling element and raceway – i.e. boundary lubrication. The use of fatigue life rating for lubrication conditions below 0,1 is not appropriate as it is beyond the applicability limits of the life rating model. Where $\kappa < 0,1$, select the bearing size on the basis of static loading criteria by means of the static safety factor, s_0 (*Size selection based on static load, page 104*).

κ value below 1

For lubrication conditions with $0,1 < \kappa < 1$, take into account the following:

- If the κ value is low because of very low speed, base the bearing size selection on the static safety factor s_0 (*Size selection based on static load, page 104*).
- If the κ value is low because of low viscosity, counteract this by selecting a higher viscosity oil or by improving the cooling. Under these lubrication conditions, it is not appropriate to calculate the basic rating life L_{10} only, because it does not take into account the detrimental effects of inadequate lubrication of the bearing. Instead, to estimate the rolling contact fatigue life of the bearing, use the SKF rating life method.

Where $\kappa < 1$, EP/AW additives are recommended.

The speed factor nd_m is used to characterize the speed condition of the bearing.

- If the nd_m of the bearing is lower than 10 000, the application is operating under low-speed conditions ([diagram 14, page 101](#)). This regimen requires high oil viscosity to ensure that the rolling element load is carried by the lubricant film.
- Operating conditions leading to $nd_m > 500\,000$ for d_m values up to 200 mm, and $> 400\,000$ for larger d_m values, are typical of bearings operating at high speeds ([diagram 14](#)). At very high speeds, the rated viscosity drops to very low values. Lubrication conditions and κ values are generally high.

EP (extreme pressure) and AW (anti-wear) additives

EP/AW additives in the lubricant are used to improve the lubrication condition of the bearing in situations where small κ values are in use, e.g. when $\kappa = 0,5$. Furthermore, EP/AW additives are also used to prevent smearing between lightly loaded rollers and raceway, for example, when especially heavy rollers enter a loaded zone at a reduced speed.

For operating temperatures lower than 80 °C (175 °F), EP/AW additives in the lubricant may extend bearing service life when κ is lower than 1 and the factor for the contamination level, η_c , is higher than 0,2 and the resulting a_{SKF} factor is lower than 3. Under those conditions, a value of $\kappa_{EP} = 1$ can be applied, in place of the actual κ value, in the calculation of a_{SKF} for a maximum advantage of up to $a_{SKF} = 3$.

Some modern EP/AW additives containing sulphur-phosphorus, which are most commonly used today, can reduce bearing life. Generally, SKF recommends testing chemical reactivity of EP/AW for operating temperatures lower than 80 °C (175 °F).

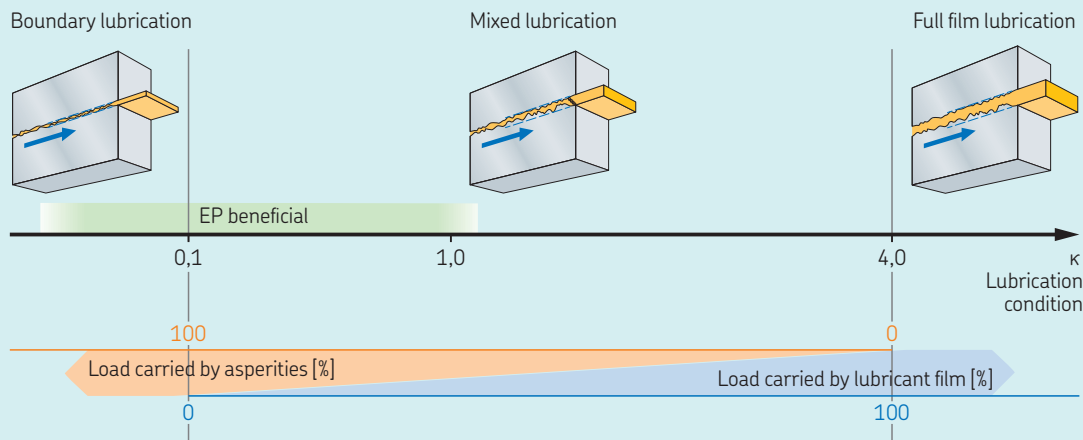
Table 5

Viscosity classification to ISO 3448

Viscosity grade	Kinematic viscosity limits at 40 °C (105°F)		
	mean	min.	max.
–	mm ² /s		
ISO VG 2	2,2	1,98	2,42
ISO VG 3	3,2	2,88	3,52
ISO VG 5	4,6	4,14	5,06
ISO VG 7	6,8	6,12	7,48
ISO VG 10	10	9,00	11,0
ISO VG 15	15	13,5	16,5
ISO VG 22	22	19,8	24,2
ISO VG 32	32	28,8	35,2
ISO VG 46	46	41,4	50,6
ISO VG 68	68	61,2	74,8
ISO VG 100	100	90,0	110
ISO VG 150	150	135	165
ISO VG 220	220	198	242
ISO VG 320	320	288	352
ISO VG 460	460	414	506
ISO VG 680	680	612	748
ISO VG 1 000	1 000	900	1 100
ISO VG 1 500	1 500	1 350	1 650

Diagram 15

Lubrication condition



Lubrication condition	κ	Size selection
Boundary lubrication Full asperity contact, wear without EP/AW additives, high friction	$\kappa \leq 0,1$	static safety factor
Mixed lubrication Reducing asperity contact, wear and surface fatigue without EP/AW additives, friction reduced	$0,1 < \kappa \leq 4$	SKF rating life and static safety factor ¹⁾
Full film lubrication No asperity contact, increasing viscous frictional moment	$\kappa > 4$	SKF rating life (no life gain, possible higher temperatures) and static safety factor ¹⁾

¹⁾ This applies to peak load.

Fatigue load limit, P_U

The fatigue load limit P_U for a bearing is defined as the load level below which metal fatigue will not occur. For this to be valid, the lubricant film must fully separate the rolling elements from the raceways and no indentations, from contaminants or from damage related to handling, may exist on the rolling surfaces.

Contamination factor, η_C

The contamination factor, η_C , takes into account how the level of solid particle contamination of the lubricant influences the calculated bearing fatigue life. The particles cause indentations in the rolling surfaces of the bearing, and these indentations increase the local contact stress, which reduces the expected fatigue life (fig. 3).

- $\eta_C = 1$ means perfectly clean conditions without any indentations.
- $\eta_C \rightarrow 0$ means severely contaminated conditions resulting in pronounced indentations.

In the SKF rating life model, the contamination factor for a certain bearing acts as a stress raiser, by reducing the bearing fatigue load limit P_U (i.e. multiplying it by the contamination factor η_C).

Comparing the reduced fatigue load limit to the actual bearing load, the fatigue resistance value ($\eta_C P_U / P$) takes both the relative bearing load and the local stress field into account (diagram 8, page 95).

- Clean conditions (large contamination factor η_C) and a bearing load lower than the fatigue load limit results in a high resistance to fatigue.
- Contaminated conditions and a bearing load larger than the fatigue load limit results in a lower resistance to fatigue.

The stress-raising influence of contamination on bearing fatigue depends on a number of parameters, including: bearing size, relative lubricant condition, size and distribution of solid contaminant particles and types of contaminants (soft, hard, etc.). Therefore, it is not meaningful to specify precise values for the contamination factor

η_C that would have general validity. However, guideline values in accordance with ISO 281 are listed in table 6.

To simplify calculation of the contamination factor η_C , use the *SKF Bearing Calculator* (skf.com/bearingcalculator).

A more detailed method for estimating the contamination factor η_C is described in a separate paper (*Method for estimating contamination factor, η_C , based on lubricant cleanliness*, skf.com/go/17000-B3).

Size selection based on static load

When any of the following conditions exist, bearing size should be selected or verified based on the static load that the bearing can accommodate, taking into account the possible effects of permanent deformation:

- The bearing is not rotating and is subjected to continuous high load or intermittent peak loads.
- The bearing makes slow oscillating movements under load.
- The bearing rotates and, in addition to the normal fatigue life dimensioning operating loads, has to sustain temporary high peak loads.
- The bearing rotates under load at low speed ($n < 10$ r/min) and is required to have only a limited life. In such a case, the rating life equations, for a given equivalent load P , would give such a low requisite basic dynamic load rating C , that a bearing selected on a fatigue life basis would be seriously overloaded in service.

In such conditions, the resulting deformation can include flattened areas on the rolling elements or indentations in the raceways. The indentations may be irregularly spaced around the raceway, or evenly spaced at positions corresponding to the spacing of the rolling elements. A stationary or slowly oscillating bearing supporting a load great enough to cause permanent deformation will generate high levels of vibration and friction when subjected to continuous rotation. It is also possible that the internal clearance will increase or the character of the housing and shaft fits may be affected.

Static load rating

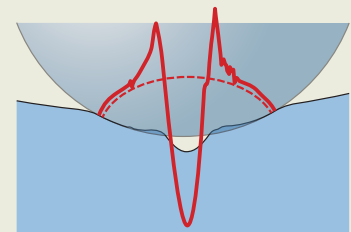
The basic static load rating C_0 is defined in ISO 76 as the load that results in a certain value of contact stress at the centre of contact of the most heavily loaded rolling element/raceway. The contact stress values are:

- 4 600 MPa for self-aligning ball bearings
- 4 200 MPa for all other ball bearings
- 4 000 MPa for all roller bearings

These stress values produce a total permanent deformation of the rolling element and raceway that is approximately 0,0001 of the rolling element diameter. The loads are purely radial for radial bearings and axial, centrally acting, for thrust bearings.

Fig. 3

Example of stress fields



Equivalent static bearing load

Loads comprising radial and axial components that are to be evaluated in relation to the static load rating C_0 , must be converted into an equivalent static bearing load. This is defined as that hypothetical load (radial for a radial bearing and axial for a thrust bearing) which, when applied, would cause the same maximum rolling element load in the bearing as the actual loads to which the bearing is subjected. It is obtained from the general equation

$$P = X_0 F_r + Y_0 F_a$$

where

P_0 = equivalent static bearing load [kN]

F_r = actual radial bearing load [kN]

F_a = actual axial bearing load [kN]

X_0 = radial load factor for the bearing

Y_0 = axial load factor for the bearing

Information and data required for calculating the equivalent static bearing load P_0 is provided in the relevant product sections.

In the equation, use radial and axial component values (fig. 4) for the maximum load that can occur. If the load varies then consider the combination that induces the highest value of P_0 .

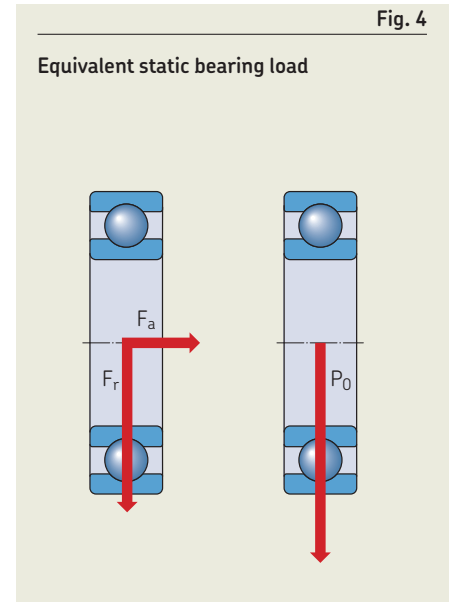


Table 6

Guideline values for factor η_c for different level of contamination

Conditions	Factor $\eta_c^{(1)}$ for bearings with diameter	
	$d_m < 100$	$d_m \geq 100$ mm
Extreme cleanliness <ul style="list-style-type: none"> Particle size of the order of the lubricant film thickness Laboratory conditions 	1	1
High cleanliness <ul style="list-style-type: none"> Oil filtered through an extremely fine filter Typical conditions: sealed bearings that are greased for life 	0,8 ... 0,6	0,9 ... 0,8
Normal cleanliness <ul style="list-style-type: none"> Oil filtered through a fine filter Typical conditions: shielded bearings that are greased for life 	0,6 ... 0,5	0,8 ... 0,6
Slight contamination <ul style="list-style-type: none"> Typical conditions: bearings without integral seals, coarse filtering, wear particles and slight ingress of contaminants 	0,5 ... 0,3	0,6 ... 0,4
Typical contamination <ul style="list-style-type: none"> Typical conditions: bearings without integral seals, coarse filtering, wear particles, and ingress from surroundings 	0,3 ... 0,1	0,4 ... 0,2
Severe contamination <ul style="list-style-type: none"> Typical conditions: high levels of contamination due to excessive wear and/or ineffective seals Bearing arrangement with ineffective or damaged seals 	0,1 ... 0	0,1 ... 0
Very severe contamination <ul style="list-style-type: none"> Typical conditions: contamination levels so severe that values of η_c are outside the scale, which significantly reduces the bearing life 	0	0

¹⁾ The scale for η_c refers only to typical solid contaminants. Contamination by water or other fluids detrimental to bearing life is not included. Because of strong abrasive wear in highly contaminated environments ($\eta_c = 0$), the useful life of the bearing can be significantly shorter than the rating life.

Guideline values for static safety factor, s_0

The static safety factor s_0 is given by

$$s_0 = C_0/P_0$$

where

s_0 = static safety factor

C_0 = required basic static load rating [kN]

P_0 = equivalent static bearing load [kN]

Alternatively, you can calculate the required basic static load rating C_0 .

Guideline values for the static safety factor s_0 , based on experience, are listed for ball bearings in [table 7](#), and roller bearings in [table 8](#). The s_0 values given for continuous motion relate to the influence of permanent deformation on bearing performance – ranging from noticeable friction peaks, vibrations and reduced fatigue resistance (for the lowest s_0 values), to no influence on friction, vibration or fatigue life (for the highest s_0 values). The certainty of load level reflects how well the actual bearing load is known and/or can be predicted.

Requisite minimum load

In applications where the bearing size is determined by factors other than load – for example, shaft diameter constrained by critical speed – the bearing may be lightly loaded in relation to its size and carrying capacity. Where there are very light loads, failure mechanisms other than fatigue, such as skidding and smearing of raceways or cage damage, often prevail. To provide satisfactory operation, rolling bearings must always be subjected to a given minimum load. As a general rule, minimum loads of 0,01 C should be imposed on ball bearings and 0,02 C on roller bearings. More accurate minimum load requirements are given in the product sections.

The importance of applying a minimum load is greater in applications where there are rapid accelerations or rapid starts and stops, and where speeds exceed 50% of the limiting speeds listed in the product tables (*Speed limitations*, [page 135](#)). If minimum load requirements cannot be met, potential improvements are:

- Use a bearing with a smaller dimension series.
- Consider special lubrication or running-in procedures.
- Consider *NoWear coated bearings*, [page 1060](#).
- Consider applying a preload (*Selecting preload*, [page 186](#)).

Checklist after the bearing size is determined

When you have worked through this section and determined bearing size, before continuing to the section on *Lubrication*, [page 110](#), check the following by referring to the product sections:

- grease life for capped bearings
- allowed axial/radial loads and F_a/F_r ratios
- minimum load
- adjusted reference speed and limiting speed
- misalignment
- stabilization class

Table 7

Guideline values for the static safety factor s_0 – for continuous and/or occasional loads – ball bearings

Certainty of load level	Continuous motion Permanent deformation acceptance			Infrequent motion Permanent deformation acceptance Yes
	Yes	Some	No	
High certainty For example, gravity loading and no vibration	0,5	1	2	0,4
Low certainty For example, peak loading	≥ 1,5	≥ 1,5	≥ 2	≥ 1

SKF life testing

SKF carries out life testing in the ISO 17025 accredited SKF Engineering and Research Centre in the Netherlands, together with the other SKF group research and testing facilities.

The purpose of this life testing is to improve the design, the materials and the manufacturing processes of bearing products, and the engineering analysis tools required for the design of bearing applications.

Typical life testing activities include tests on bearing population samples under different conditions, such as:

- full film lubrication conditions
- boundary and mixed lubrication conditions
- predefined contamination conditions of the lubricant

Apart from testing in different conditions, SKF life tests are performed to:

- verify the data published in product catalogues
- audit the quality of the manufacturing of SKF bearings
- research how lubricants and lubrication conditions influence bearing life
- support the development of rolling contact fatigue and friction models
- compare SKF products with competitors' products

Life tests are sophisticated and wide-ranging and are run under strictly controlled conditions. Post-test investigations with state-of-the-art equipment make it possible to investigate the factors that affect the life of the bearings in a systematic way.

As an example, the SKF Explorer bearing design is the result of optimizing influencing factors determined by analytical simulations and experimental verification.

Table 8

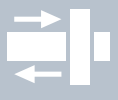
Guideline values for the static safety factor s_0 – for continuous and/or occasional loads – roller bearings¹⁾

Certainty of load level	Continuous motion Permanent deformation acceptance			Infrequent motion Permanent deformation acceptance Yes
	Yes	Some	No	
High certainty For example, gravity loading and no vibration	1	1,5	3	0,8
Low certainty For example, peak loading	≥ 2,5	≥ 3	≥ 4	≥ 2

¹⁾ For spherical roller thrust bearings, use $s_0 \geq 4$.

B.4

Lubrication



B.4 Lubrication

Selecting grease or oil	110
Lubrication selection flow chart and criteria	110
Estimating the relubrication interval for grease	111
Relubrication intervals	112
Adjustments for relubrication intervals	112
Determining grease quantity for initial fill and relubrication	112
Relubrication procedures	114
Selecting a suitable grease	116
Selecting a suitable SKF grease	116
Using LubeSelect and selection rules.	116
The SKF traffic light concept for grease temperature performance	117
Additional factors and considerations when selecting a grease	118
Assessing the suitability of non-SKF greases	118
Lubrication systems	120
Selecting a suitable oil	120
Oil selection criteria	120
Viscosity and viscosity index	120
Oil type	120
Additives	121
Oil change interval	121
Overview of main oil lubrication methods	122
SKF bearing grease selection chart	124
Technical specifications for SKF greases	126

B.4 Lubrication

Rolling bearings must be adequately lubricated to operate reliably. The lubricant is required to reduce friction, inhibit wear, protect the bearing surfaces against corrosion and may also be needed to provide cooling. This section describes:

- how to select between grease or oil
- how to select a suitable grease
- how to select a suitable oil

For information on lubrication of sealed bearings, refer to the relevant product sections.

How lubrication relates to other selection criteria

Lubrication selection and lubricant properties greatly influence the operating temperature, which in turn influences:

- whether you should use grease or oil
- the relubrication interval required for grease
- whether oil lubrication is necessary, because circulating oil can be used to remove heat
- the lubrication condition – the viscosity ratio, κ , which influences the bearing size selection based on SKF rating life

Selecting grease or oil

The first step in the lubrication selection process is to decide whether to use grease or oil. In most cases, grease is the appropriate choice for open bearings.

Lubrication selection flow chart and criteria

A flow chart to help select the correct lubrication method is shown in [diagram 1](#).

The main reasons to choose grease are:

- cost-effectiveness
- simplicity – grease is easily retained in the bearing and housing, thus requiring less complicated sealing arrangements compared with those for oil lubrication

The main exceptions to choosing grease are in applications where:

- operating conditions require a grease relubrication interval that is unacceptably short
- lubricating oil must be used for other purposes (such as in gearboxes)
- heat removal via circulating oil is required
- purging or removing used grease becomes cumbersome or expensive to handle

Estimating the relubrication interval for grease

Lubricating grease slowly degrades and therefore has a limited life. Grease life depends on the operating conditions of the bearing and the grease type. Rolling bearings therefore have to be relubricated if:

- the grease life is shorter than the specified bearing life
- the grease becomes contaminated

It is important to calculate the grease relubrication interval and if it is unacceptably short then, unless you use automatic

(centralized) greasing (*Lubrication systems*, page 120), you should choose oil instead.

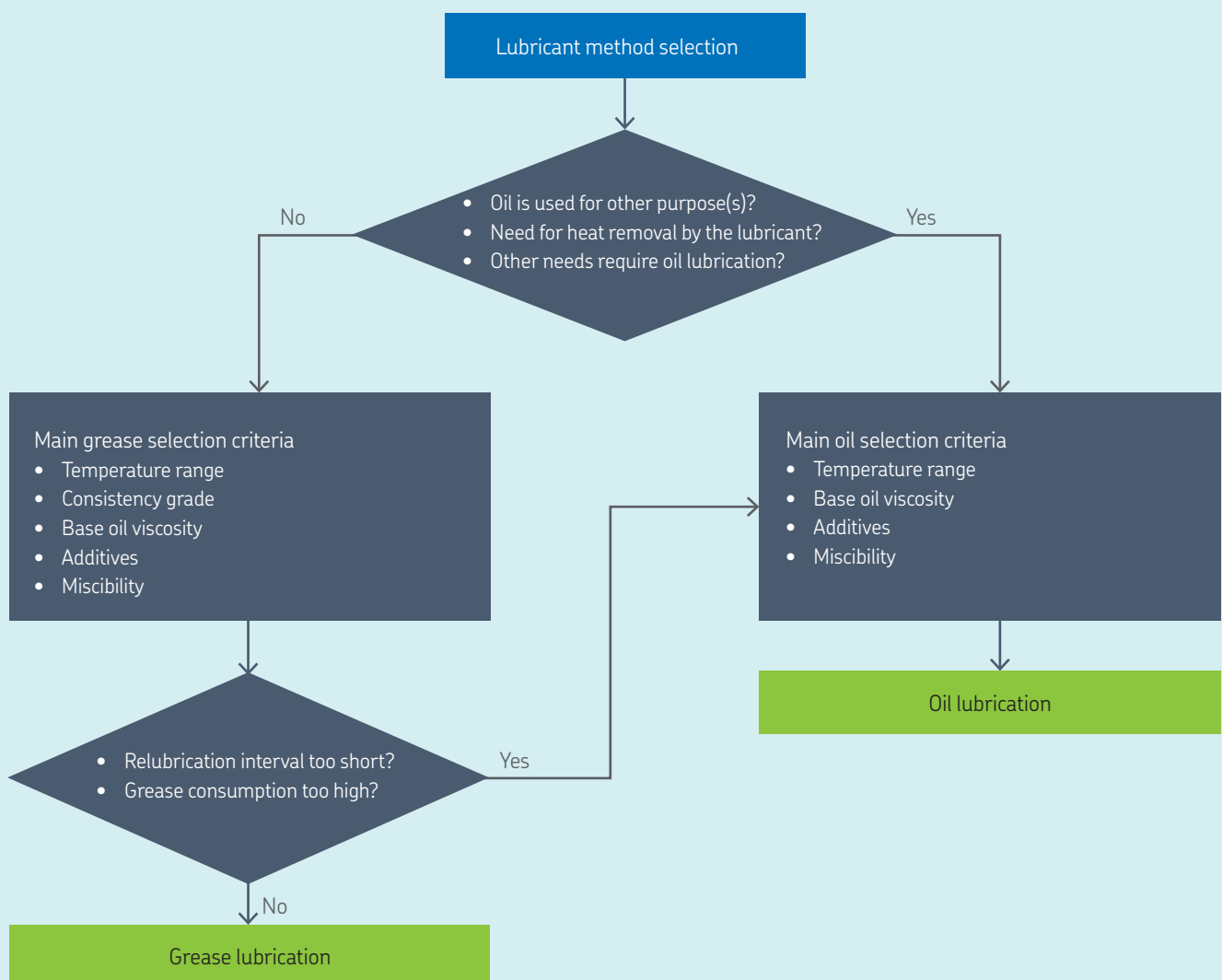
Relubrication should occur frequently enough to avoid grease deterioration having an adverse effect on the bearing life. Therefore, the SKF relubrication interval, t_r , is defined as the time period at the end of which there is only a 1% probability that the bearing will fail because of grease degradation. This represents the L_{-1} grease life. L_{-10} grease life represents a 10% probability failure because of grease degradation. Grease life depends mainly on:

- bearing type and size
- speed
- load ratio C/P
- operating temperature
- grease type

As a rule, standard greases have a practical upper temperature limit of 100 °C (210 °F) on the ring with the highest temperature. Above this temperature, special greases or automatic (centralized) greasing systems should be used – otherwise, commonly the grease life would be too short.

Diagram 1

Process for selecting a suitable lubrication method for open bearings



B.4 Lubrication

Relubrication intervals

Use **diagram 2** to estimate the relubrication intervals t_f . The diagram is valid for bearings with a rotating inner ring on horizontal shafts under normal and clean operating conditions, using:

- the nd_m factor multiplied by the relevant bearing factor b_f where
 - n = rotational speed [r/min]
 - d_m = bearing mean diameter [mm]
= 0,5 (d + D)
 - b_f = bearing factor dependent on bearing type and load conditions (**table 1**)
- the load ratio C/P

The relubrication interval t_f is the estimated number of operating hours that a good quality lithium soap grease with a mineral base oil can perform adequately when the operating temperature is 70 °C (160 °F). High performance greases can extend relubrication intervals and grease life.

The relubrication intervals given in **diagram 2** must be adjusted according to **table 2, page 115**.

When the speed factor nd_m exceeds 70% of the recommended limits (**table 1**), check the influence of the selected lubricant on the operating temperature and speed.

In practice, relubrication intervals above 30 000 h are not reliable, because intervals of that length exceed the predictable performance life (because of lubricant ageing) of most greases.

Adjustments for relubrication intervals

Various adjustments for relubrication intervals are described in **table 2** under various operating conditions. You may also calculate lubrication intervals using the *SKF Bearing Calculator* (skf.com/bearingcalculator).

Determining grease quantity for initial fill and relubrication

Commonly, the free volume in bearings is completely filled during installation and the free volume in SKF plummer block housings is partly filled. SKF recommends that the free volume on each side of the bearing in a customer-designed housing is equal to the free volume of the bearing. For bearings with a metallic cage, the free volume in the bearing is approximately

$$V = \frac{\pi}{4} B (D^2 - d^2) \times 10^{-3} - \frac{M}{7,8 \times 10^{-3}}$$

where

V = free volume in the bearing [cm³]
(for standard grease, mass in grams multiplied by 0,9; for fluorinated grease, mass in grams multiplied by approximately 2)

B = bearing width [mm]

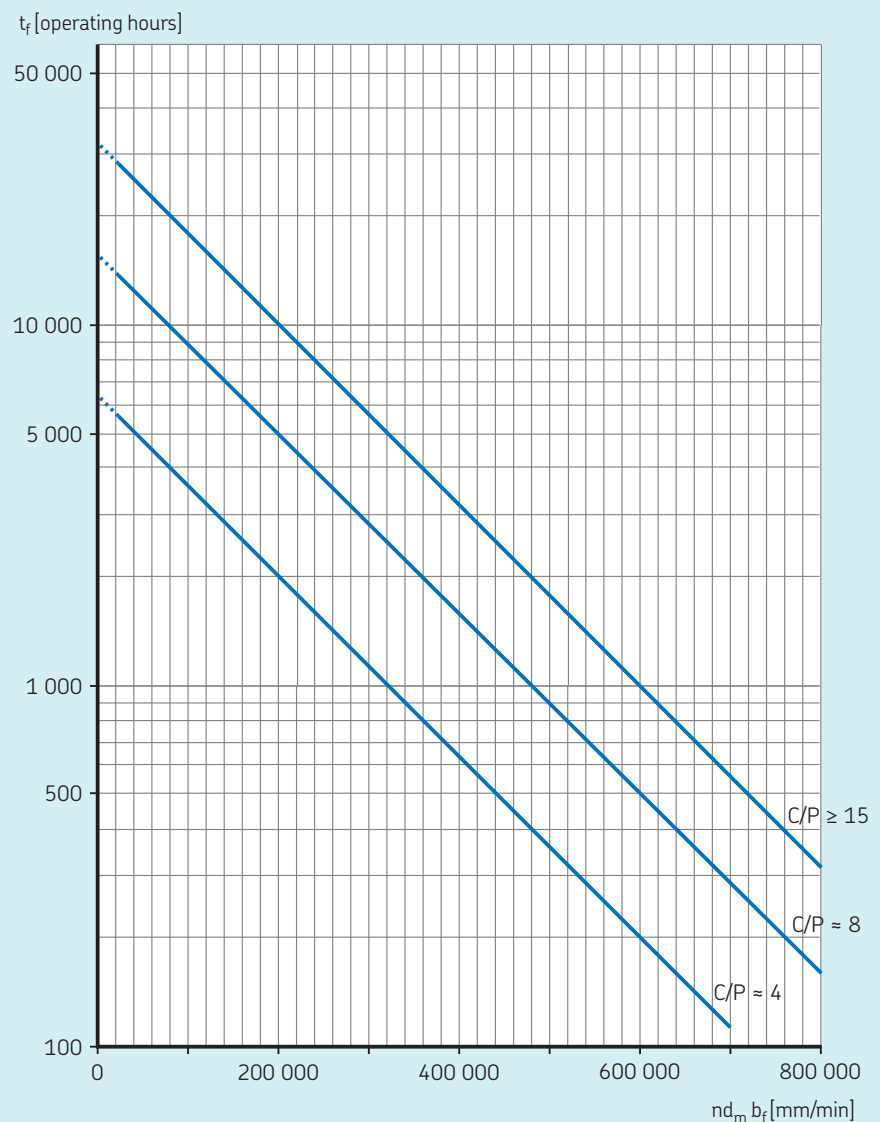
D = outside diameter [mm]

d = bore diameter [mm]

M = bearing mass [kg]

Diagram 2

Relubrication intervals at operating temperatures of 70 °C (160 °F)



For bearings with non-metallic cages, the formula gives a slight overestimation.

Depending on the intended method of relubrication, SKF recommends:

- relubrication from the side of the bearing (fig. 1, page 114)
 - initial fill: 40% of the free volume in the housing
 - replenishment quantity: $G_p = 0,005 D B$
- relubrication through holes in the centre of the inner or outer ring (fig. 2, page 114)
 - initial fill: 20% of the free volume in the housing
 - replenishment quantity: $G_p = 0,002 D B$

where

G_p = grease quantity to be added when replenishing [g]

D = bearing outside diameter [mm]

B = total bearing width [mm]

(for tapered roller bearings use T , for thrust bearings use height H)

During a running-in period, excess grease in the bearing distributes or escapes. At the end of the running-in period, the operating temperature drops, indicating that the grease has been distributed.

In applications where bearings operate at very low speeds and good protection against contaminants and corrosion is required, SKF recommends filling 70% to 100% of the housing with grease.

Table 1
Bearing factors and recommended nd_m limits

Bearing type ¹⁾	Bearing factor b_f	Recommended nd_m limits for load ratio		
		$C/P \geq 15$	$C/P \approx 8$	$C/P \approx 4$
–	–	mm/min		
Deep groove ball bearings	1	500 000	400 000	300 000
Angular contact ball bearings	1	500 000	400 000	300 000
Self-aligning ball bearings	1	500 000	400 000	300 000
Cylindrical roller bearings				
– non-locating bearing	1,5	450 000	300 000	150 000
– locating bearing, without external axial loads or with light but alternating axial loads	2	300 000	200 000	100 000
– locating bearing, with constantly acting light axial load	4	200 000	120 000	60 000
– without a cage, full complement ²⁾	4	NA ³⁾	NA ³⁾	20 000
Needle roller bearings				
– with a cage	3	350 000	200 000	100 000
Tapered roller bearings	2	350 000	300 000	200 000
Spherical roller bearings				
– when the load ratio $F_a/F_r \leq e$ and $d_m \leq 800$ mm				
series 213, 222, 238, 239	2	350 000	200 000	100 000
series 223, 230, 231, 232, 240, 248, 249	2	250 000	150 000	80 000
series 241	2	150 000	80 000	50 000
– when the load ratio $F_a/F_r \leq e$ and $d_m > 800$ mm				
series 238, 239	2	230 000	130 000	65 000
series 230, 231, 232, 240, 248, 249	2	170 000	100 000	50 000
series 241	2	100 000	50 000	30 000
– when the load ratio $F_a/F_r > e$				
all series	6	150 000	50 000	30 000
CARB toroidal roller bearings				
– with a cage	2	350 000	200 000	100 000
– without a cage, full complement ²⁾	4	NA ³⁾	NA ³⁾	20 000
Thrust ball bearings	2	200 000	150 000	100 000
Cylindrical roller thrust bearings	10	100 000	60 000	30 000
Needle roller thrust bearings	10	100 000	60 000	30 000
Spherical roller thrust bearings				
– rotating shaft washer	4	200 000	120 000	60 000

¹⁾ The bearing factors and recommended nd_m limits apply to bearings with standard internal geometry and standard cage execution. For alternative internal bearing design and special cage execution, contact the SKF application engineering service.

²⁾ The t_r value obtained from diagram 2 needs to be divided by a factor of 10.

³⁾ Not applicable, as a bearing with a cage is recommended for these C/P values.

Relubrication procedures

Select a relubrication procedure that suits the application and the relubrication interval t_r . SKF recommends one of the following procedures:

- Manual relubrication by replenishment** is a convenient procedure. It enables uninterrupted operation and provides, when compared with continuous relubrication, a lower steady-state temperature.
- Automatic (centralized) relubrication** avoids performance issues related to over- or under-greasing. This is also commonly used where there are multiple points to lubricate, or where access to positions is difficult, or where equipment is operated remotely with no local maintenance staff (diagram 3).

- Continuous lubrication** is used when the estimated relubrication intervals are short because of the adverse effects of very severe contamination. Continuous lubrication of applications is recommended typically with nd_m values $< 150\,000$ for ball bearings and $< 75\,000$ for roller bearings. In these cases, the initial grease fill for the housing can be from 70% to 100% (depending on the operation condition and housing seal), and the quantity for relubrication per unit of time is derived from the equations for G_p (*Determining grease quantity for initial fill and relubrication*, page 112) by spreading the required quantity over the relubrication interval.

There must be provision for the used grease to be purged from the housing. If an excess

of used grease needs to be purged from the housing, contacting seals must allow for this (consider seal type and seal orientation). Otherwise, an escape hole should be provided in the housing – tubing is not allowed, because it can restrict grease escape. The escape hole should be plugged during high-pressure cleaning.

Where a variety of bearing types is used in a bearing arrangement, it is common practice to apply the shortest estimated relubrication interval from the bearings in the arrangement.

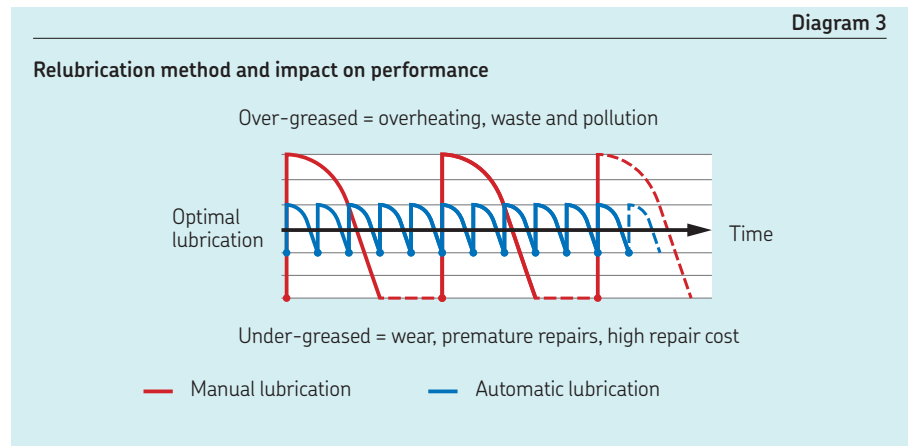
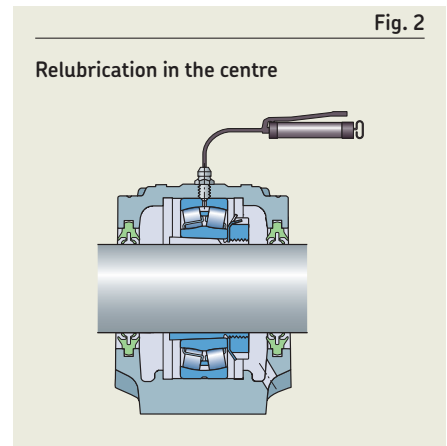
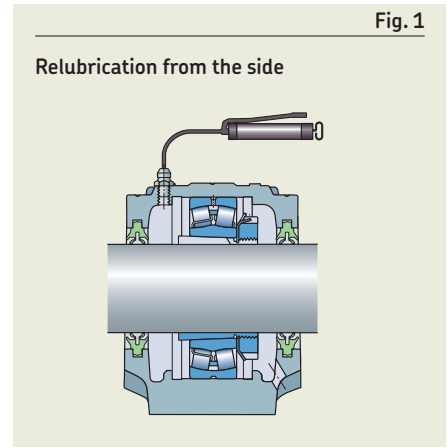


Table 2

Relubrication interval adjustments			
Operating condition / bearing type	Description	Recommended adjustment of t_r	Reason for adjustment
Operating temperature	For every 15 °C (27 °F) above 70 °C (160 °F) up to the high temperature limit (HTL)	Halve the interval	To account for the accelerated ageing of grease at higher temperatures
	For 15 °C (27 °F) under 70 °C (160 °F)	Double the interval (maximum once) ¹⁾	To account for the reduced risk of ageing of grease at lower temperatures
Shaft orientation	Bearings mounted on a vertical shaft	Halve the interval	The grease tends to leak out due to gravity
Vibration	High vibration or acceleration levels	Reduce the interval	Interval reduced depending on machine specific instructions (e.g. vibrating screen)
Outer ring rotation	Outer ring rotation or eccentric shaft weight	Calculate the speed as nD rather than nd_m	The grease has a shorter grease life under these conditions
Contamination	Contamination or presence of fluid contaminants	Adjust depending on the contamination level: Low Relubrication intervals are given by grease life. It is assumed that there will be no or slight ingress of contamination entering the bearing. Medium Some contaminants may enter the bearing. Some additional relubrication is required to remove contaminants. High There is a clear risk that contaminants will enter the bearing. Relubrication is required to remove aged grease and to remove contaminants. Severe Relubrication is primarily needed to flush the bearing and remove contaminants.	To reduce the damaging effects caused by contaminants
Bearing size	Bearings with a bore diameter $d > 300$ mm	Reduce the interval by a factor 0,5 initially. If grease samples taken before relubrication are found to be satisfactory, the relubrication interval can be increased gradually.	These are typically critical arrangements, which require strict, frequent relubrication programmes
Cylindrical roller bearings	Bearings fitted with J, JA, JB, MA, MB, ML, MP and PHA cages ²⁾	Halve the interval	These cage designs require higher oil bleeding from the grease

¹⁾ For full complement and thrust bearings, do not extend the interval.

²⁾ For P, PH, M and MR cages, there is no need for adjustment.

Selecting a suitable grease

Selecting a suitable SKF grease

The assortment of SKF greases for rolling bearings provides adequate choice for most application requirements. These greases have been developed based on the latest knowledge of rolling bearing lubrication and their quality is continuously monitored.

Using LubeSelect and selection rules

SKF LubeSelect is an online tool that lists SKF greases that fulfil the demands of your specified operating conditions. The analysis performed by the tool is based on generalized selection rules that have been carefully developed by SKF lubrication experts.

The same selection rules are used in the *SKF bearing grease selection chart*, [page 124](#), where the speed, temperature and load range are used as the primary operating parameters for selecting a suitable grease.

The most important technical specifications for SKF greases are provided in *Technical specifications for SKF greases*, [page 126](#).

Temperature, speed, and load ranges for grease selection

The terms used to specify the ranges of temperature, speed and load, for grease lubricated bearings, are defined in [table 3](#) to [table 5](#).

Consistency, NLGI

Consistency is a measure of the stiffness of the grease. Classification of greases by consistency is in accordance with the National Lubricating Grease Institute (NLGI), ISO 2137. Greases with a metallic soap thickener and a consistency grade of 1, 2 or 3 (soft to stiff) on the NLGI scale are typically used for rolling bearings. The most commonly used greases have a consistency of grade 2.

Table 3

Temperature ranges for greases			
Range		Temperature	
		°C	°F
L	Low	< 50	< 120
M	Medium	50 to 100	120 to 210
H	High	> 100	> 210
EH	Extremely high	> 150	> 300

Table 5

Load ranges for greases		
Load range		Load ratio C/P
L	Low	≥ 15
M	Medium	≈ 8
H	High	≈ 4
VH	Very high	< 2

Table 4

Speed ranges for grease lubricated radial bearings

Speed range		Speed factor	Speed factor	
			Spherical roller, tapered roller, CARB toroidal roller bearings	Cylindrical roller bearings
		nd _m		
–		mm/min		
VL	Very low	–	< 30 000	< 30 000
L	Low	< 100 000	< 75 000	< 75 000
M	Medium	< 300 000	≤ 210 000	≤ 270 000
H	High	< 500 000	> 210 000	> 270 000
VH	Very high	≤ 700 000	–	–
EH	Extremely high	> 700 000	–	–

n = rotational speed [r/min]

d_m = bearing mean diameter [mm] = 0,5 (d + D)

Mechanical stability

During rotation of a bearing, the grease is mechanically worked and a change in consistency may result. This property is known as the mechanical stability of the grease and is measured in standardized tests, ASTM D217 and/or ASTM D1831. Greases that soften may leak from the bearing cavity. Those that stiffen may restrict bearing rotation or limit oil bleeding. The mechanical stability should not change drastically if operation is within the specified temperature range of the grease.

Corrosion protection

In applications where water or condensation is present, the corrosion inhibiting properties of the grease are very important. The corrosion inhibiting ability is determined by the properties of the rust inhibitor additive and/or the thickener type. The performance is measured using the EMCOR test, ISO 11007. For applications where water or condensation is present, the rating should be 0-0.

The SKF traffic light concept for grease temperature performance

The temperature range over which a grease can be used depends mainly on the type of base oil, thickener and additives. The relevant temperature limits are schematically illustrated in [diagram 4](#) in the form of a double traffic light, with additional details provided in [diagram 5](#).

- The low temperature limit (LTL) is determined by the low temperature frictional torque test according to ASTM D1478 or IP 186. The LTL is determined by the temperature at which the starting torque is equal to 1 000 Nmm and the running torque is 100 Nmm.
- The high temperature limit (HTL) is the temperature at which a grease loses its consistency and becomes a fluid. It is determined using the dropping point (ISO 2176).

Diagram 4

The SKF traffic light concept

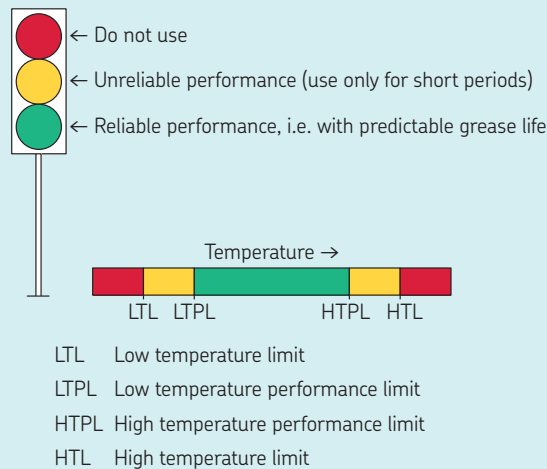
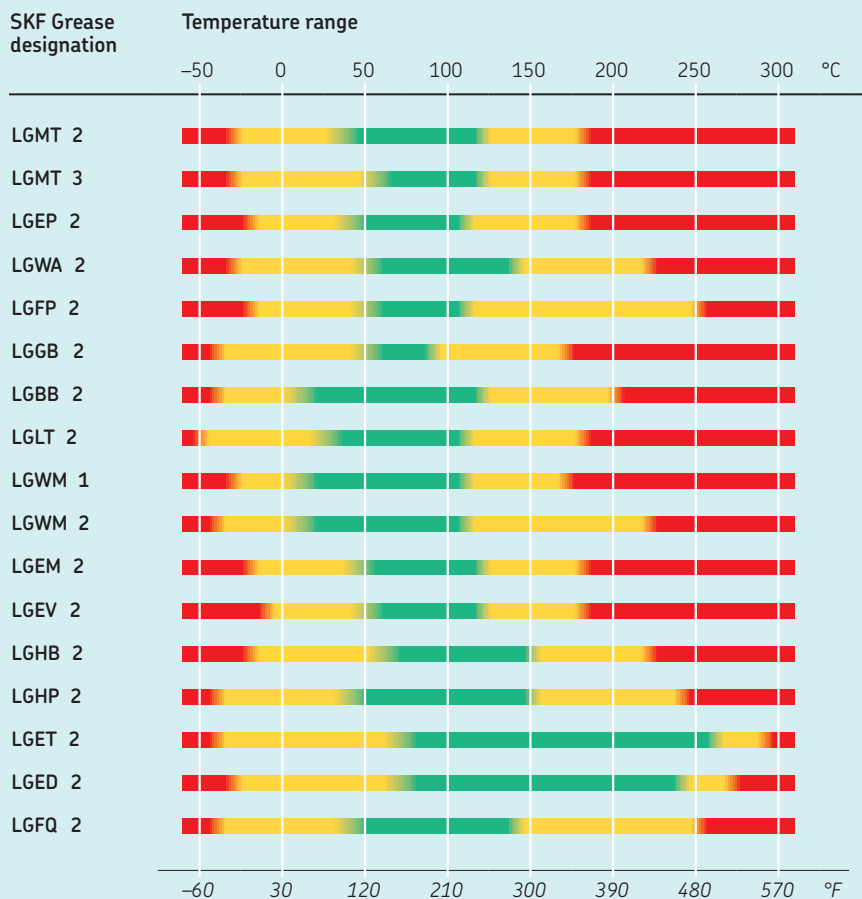


Diagram 5

SKF traffic light concept – SKF greases¹⁾



¹⁾ The low temperature performance limits (LTPL) are valid for roller bearings. LTPL values for ball bearings are approx. 20 °C (35 °F) lower.

B.4 Lubrication

The low and high temperature limits for reliable operation, indicated by the green zone in [diagram 4, page 117](#), are:

- low temperature performance limit (LTPL), defined as the temperature at which grease no longer shows sufficient oil bleed as measured in DIN 51817. The LTPL values for roller bearings are provided in [diagram 5, page 117](#). The LTPL values for ball bearings are approximately 20 °C (35 °F) lower.
- high temperature performance limit (HTPL), determined by the SKF ROF grease life test

Within these two limits, the grease fulfils its function reliably and the relubrication interval or grease life is predictable. Because the definition of the temperature performance limits is not standardized internationally, care must be taken when interpreting data from grease suppliers other than SKF.

At temperatures above the high temperature performance limit (HTPL), grease degrades with increasing rapidity. Therefore, temperatures in the amber zone, between the high temperature performance limit (HTPL) and the high temperature limit (HTL), should only be allowed to occur for very short periods.

An amber zone also exists for low temperatures, between the low temperature limit (LTL) and the low temperature performance limit (LTPL). In this zone, the temperatures are too low to provide sufficient oil bleeding. The width of the amber zone depends on the grease type and bearing type. Serious damage can result when the bearings are operated continuously below the LTPL. Short periods in this zone, such as during a cold start, are generally not harmful because the heat caused by friction brings the bearing temperature into the green zone.

Additional factors and considerations when selecting a grease

Verify the lubrication condition, consider EP/AW additives

The lubrication condition, κ , is evaluated by using the base oil viscosity as described in *Lubrication condition – the viscosity ratio, κ* , [page 102](#). In the lubrication condition domain defined by κ below 1, EP/AW additives are recommended.

EP/AW additives of the sulphur-phosphorus type, which are the most commonly used today, may also have a negative influence on the fatigue life of the bearings. This is because in the presence of humidity, which can never be completely avoided, sulphur and phosphorus acids are produced which induce a more aggressive chemical process at the rolling contact. This effect increases with temperature and, for temperatures above 80 °C (175 °F), a lubricant with EP/AW additives should only be used after careful testing. SKF greases have been tested and can be used above 80 °C (175 °F) until the HTPL is reached.

Low speeds

Bearings that operate at very low to low speeds ([table 4, page 116](#)) under heavy loads should be lubricated with a grease that has a high viscosity base oil containing EP additives. The thickener should contribute to the surface separation. Sufficient oil bleeding should assure oil replenishment during operation.

Solid additives, such as graphite or molybdenum disulfide (MoS_2), should be considered for a speed factor $nd_m < 20\,000$ mm/min. SKF LGEV2 is successfully used up to $nd_m = 80\,000$.

Heavy and very heavy bearing loads

For bearings subjected to a load ratio $C/P < 4$, the calculated relubrication interval may be so short that it dictates the use of continuous relubrication or oil lubrication.

Miscibility with other greases

If it becomes necessary to change from one grease type to another, consider the miscibility of the greases and their ability to be mixed without adverse effects ([table 6](#) and [table 7](#)). If incompatible greases are mixed, the consistency of the grease mix can change dramatically such that bearing damage because of severe leakage could result. Note that PTFE-thickened greases are not compatible with other grease types.

Miscibility with preservation oils

The preservative oils with which SKF bearings are treated are compatible with the majority of lubricating greases, with the exception of synthetic fluorinated oil based greases using a PTFE thickener, for example, SKF LGET 2 grease. For PTFE-thickened greases, the bearing preservatives must be removed before applying the grease. White spirit is recommended as a solvent. Make sure all remnants of solvent have evaporated and then immediately apply the grease.

Assessing the suitability of non-SKF greases

Greases from suppliers other than SKF must be approved by the supplier. Use [diagram 6, page 120](#), to evaluate the temperature performance and grease life prediction. Where relevant, take into account the considerations specified for SKF greases.

Table 6

Compatibility of base oil types

	Mineral oil	Ester oil	Polyglycol	Silicone-methyl	Silicone-phenyl	Polyphenyl-ether
Mineral oil	+	+	-	-	+	o
Ester oil	+	+	+	-	+	o
Polyglycol	-	+	+	-	-	-
Silicone-methyl	-	-	-	+	+	-
Silicone-phenyl	+	+	-	+	+	+
Polyphenylether	o	o	-	-	+	+

+ compatible
 - incompatible
 o individual testing required

Table 7

Compatibility of thickener types

	Lithium soap	Calcium soap	Sodium soap	Lithium complex soap	Calcium complex soap	Sodium complex soap	Barium complex soap	Aluminium complex soap	Clay	Polyurea
Lithium soap	+	o	-	+	-	o	o	-	o	o
Calcium soap	o	+	o	+	-	o	o	-	o	o
Sodium soap	-	o	+	o	o	+	+	-	o	o
Lithium complex soap	+	+	o	+	+	o	o	+	-	-
Calcium complex soap	-	-	o	+	+	o	-	o	o	+
Sodium complex soap	o	o	+	o	o	+	+	-	-	o
Barium complex soap	o	o	+	o	-	+	+	+	o	o
Aluminium complex soap	-	-	-	+	o	-	+	+	-	o
Clay	o	o	o	-	o	-	o	-	+	o
Polyurea	o	o	o	-	+	o	o	o	o	+

+ compatible
 - incompatible
 o individual testing required

Lubrication systems

Continuous lubrication can be achieved via singlepoint or multipoint automatic lubricators, e.g. SKF's SYSTEM 24 or SYSTEM MultiPoint.

Centralized lubrication systems, such as SKF MonoFlex, SKF ProFlex, SKF DuoFlex, SKF MultiFlex (table 8) and Lincoln Centro Matic, Quickclub and Dual Line can reliably deliver grease in a wide range of quantities.

For additional information about SKF lubrication systems, refer to skf.com/lubrication.

Selecting a suitable oil

Oil selection criteria

When you select a lubricating oil, the most important parameters are the viscosity and viscosity index, the temperature stability (which influences the choice of oil type) and the additive package (EP/AW and corrosion protection) that fits the operating conditions for the application.

Viscosity and viscosity index

The required viscosity is primarily given by the lubrication condition κ , at the expected operating temperature, evaluated as described in *Lubrication condition – the viscosity ratio, κ* , page 102. The viscosity index, VI, is the measure of how the oil viscosity changes with temperature. VI is a part of the selection process, in particular for applications that operate in a large temperature range. Oils with a VI of at least 95 are recommended.

Oil type

There are two broad categories of oil types – mineral and synthetic – with the following types of synthetic oils available:

- polyalphaolefins (PAO)
- esters
- polyglycols (PAG)

Choice of oil type is mainly determined by the temperature range in which the application is expected to operate.

- Mineral oils are generally favoured as the lubricant for rolling bearings.
- Synthetic oils should be considered for operational temperatures above 90 °C (195 °F) because of their improved thermal and oxidation resistance, or below –40 °C (–40 °F) because of their better properties at low temperatures.

The pour point of an oil is defined as the lowest temperature at which a lubricant will flow, but it must not be used as a functional limit when selecting oil type. If the temperature is above but near the pour point, the viscosity is still very high, which may impair pumping, filtering, and other characteristics.

The thickness of the hydrodynamic film is determined, in part, by the viscosity index (VI) and the pressure-viscosity coefficient. For most mineral oil based lubricants, the pressure-viscosity coefficient is similar, and you can use the generic values obtained from literature. However, for synthetic oils, the effect on viscosity to increasing pressure is determined by the chemical structure of its base stock. As a result, there is considerable variation in pressure-viscosity coefficients for different types of synthetic base stocks.

Because of the differences in the viscosity index and pressure-viscosity coefficient, the formation of a hydrodynamic lubricant film, when using a synthetic oil, may differ from that of a mineral oil with the same viscosity.

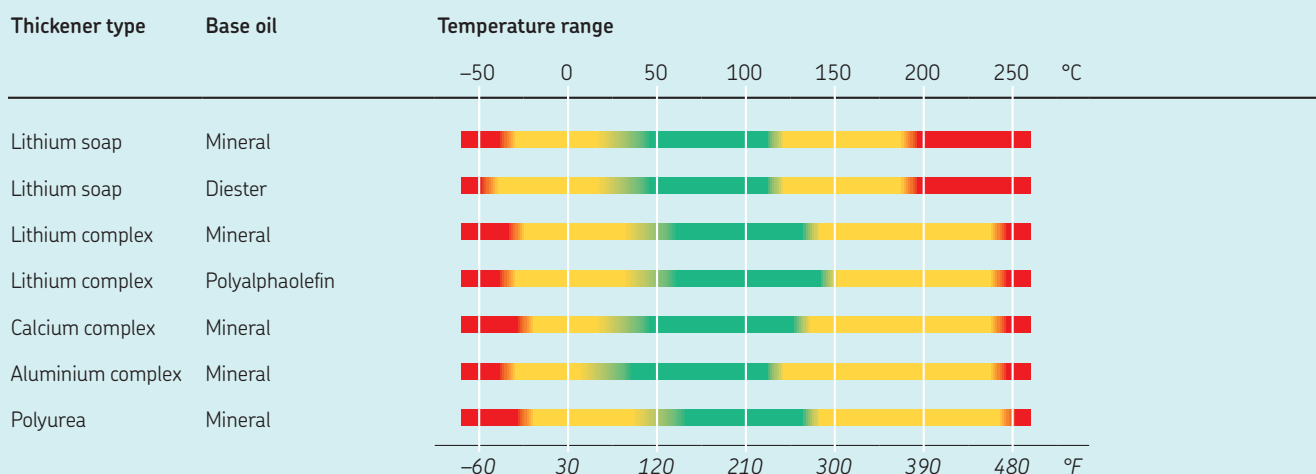
Regarding the lubrication condition for mineral and synthetic oils, the combined effect of the viscosity index and the pressure-viscosity coefficient normally cancel each other out.

The properties of the different oil types are summarized in table 9. For additional information about synthetic oils, contact the lubricant supplier.

Oils, and in particular synthetic oils, may interact with such things as seals, paint or water in a different way than mineral oils, so such effects, as well as miscibility, must be investigated.

Diagram 6

The SKF traffic light concept – standard greases



Additives

Lubricating oils usually contain additives of various kinds. The most important ones are antioxidants, corrosion protection agents, anti-foaming additives, and EP/AW additives. In the lubrication condition domain defined by $\kappa < 1$, EP/AW additives are recommended, but for temperatures above 80 °C (175 °F), a lubricant with EP/AW additives should only be used after careful testing.

Oil change interval

The oil change interval depends on the operating conditions and the oil type. With oil-bath lubrication, it is generally sufficient to change the oil once a year, provided the operating temperature does not exceed 50 °C (120 °F). Typically, at higher temperatures or with heavy contamination, the oil must be changed more often.

With oil circulation, the interval after which the oil needs to be changed is determined by an inspection of the oil quality, taking into account oxidation and the presence of water and abrasive particles. Oil life in circulation systems can be extended by removing particles and water from the oil.

A summary of oil change intervals for various systems and conditions is shown in [table 10, page 122](#).

Table 8

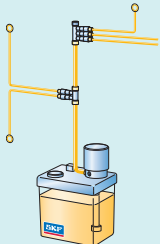
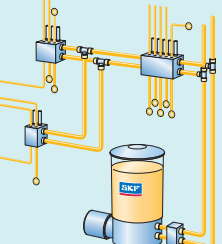
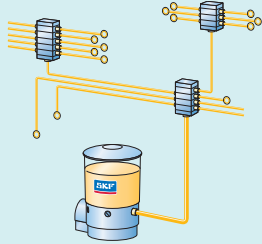
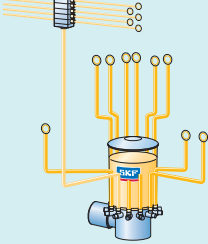
SKF Centralized Lubrication Systems				
	SKF MonoFlex	SKF DuoFlex	SKF ProFlex	SKF MultiFlex
				
Type	Single-line	Dual-line	Progressive	Multi-line
Suitable lubricants	Oil Grease with NLGI grades from 000 to 2	Oil Grease with NLGI grades from 000 to 3	Oil Grease with NLGI grades from 000 to 2	Oil Grease with NLGI grades from 000 to 3
Application examples	Machine tools, printing, textile and off-highway applications	Metal working machines, pulp and paper industry, mining and cement plants, deck cranes, power plants	Printing and industrial presses machines, off-highway applications, wind turbines	Oil and gas industry, heavy industrial applications

Table 9

Properties of lubricating oil types					
Properties		Base oil type	PAO	Ester	PAG
		Mineral			
Pour point	[°C] [°F]	-30 .. 0 -20 .. 30	-50 .. -40 -60 .. -40	-60 .. -40 -75 .. -40	approx. -30 approx. -20
Viscosity index		low	moderate	high	high
Pressure-viscosity coefficient		high	moderate	low to moderate	moderate

Overview of main oil lubrication methods

The oil lubrication methods are:

- oil bath without circulating oil
- oil bath with self-circulating oil through bearing pumping action
- circulating oil with external pump
- oil jet method
- oil air method

The choice of the oil lubrication method depends mainly on:

- the bearing speed
- the need to remove heat
- the need to remove contaminants (solid particles or liquid)

SKF offers a wide range of products for oil lubrication that are not covered here. For additional information about SKF lubrication systems and related products, refer to skf.com/lubrication.

Oil bath without circulating oil

The simplest method of oil lubrication is the oil bath. The oil, which is picked up by the rotating components of the bearing, is distributed within the bearing and then flows back to the oil bath in the housing. Ideally, the oil level should reach the centre of the lowest rolling element (fig. 3) when the bearing is stationary. Oil levels higher than recommended will increase bearing temperature because of churning (*Bearing friction, power loss and starting torque*, page 132).

Oil bath with self-circulating oil

Oil from a bath is forced to circulate by different methods. Here are some examples:

- Oil is salvaged and directed to the bearings by means of drain and ducts (fig. 4).
- A dedicated component (ring, disc, etc.) picks up oil from an oil bath and transports it (fig. 5).
- The pumping effect of some bearing types can be used to circulate the oil. In fig. 6, the spherical thrust roller bearing pumps oil which returns to the thrust bearing by connecting ducts located under it.

All designs of such lubricating methods should be validated individually by tests.

Circulating oil without a bath

Circulating oil by means of an external oil pump, instead of an oil bath, is mainly used when it is needed to remove heat generated by the bearing and/or other sources. Oil circulation is also a good lubricating method for evacuating solid or liquid contaminants from the bearing to filters and/or oil/liquid separators. The design and layout of the oil drainage must ensure that there is no build-up of oil level (*Heat flow from adjacent parts or process*, page 131).

A basic circulating oil system (fig. 7) includes:

- oil pump
- filter
- oil reservoir
- oil cooling and/or heating system

Oil jet

The oil jet lubricating method (fig. 8) is an extension of circulating oil systems, and is used for bearings operating at very high speeds. The dimensioning of oil flow and corresponding jet size is selected so that the oil jet speed reaches at least 15 m/s.

Oil injectors must be positioned so that the oil jet penetrates the bearing between one of the rings and the cage. To prevent churning that can cause increased friction

and temperature, the design and layout of the oil drainage must ensure that there is no oil level build-up.

Oil-air

The oil-air lubrication method (fig. 9), also called the oil-spot lubrication method, uses compressed air to transport small, accurately-metered quantities of oil as small droplets along the inside of the feed lines to an injector nozzle, where it is delivered to a bearing. This minimum-quantity lubrication method enables the bearings to operate at very high speeds at a relatively low operating temperature. The compressed air also cools the bearing and prevents dust or aggressive gases from entering. For additional information, refer to skf.com/super-precision.

Table 10

Summary of oil change intervals for different oil systems and operating conditions

Oil lubrication system	Typical operating conditions	Approximate oil change interval ¹⁾
Oil bath or oil pick-up ring	Operating temperature < 50 °C (120 °F) Little risk of contamination	12 months
	Operating temperature 50 to 100 °C (120 to 210 °F) Some contamination	3 to 12 months
	Operating temperature > 100 °C (210 °F) Contaminated environment	3 months
Circulating oil or oil jet	All	Determined by test runs and regular inspection of the oil condition. Dependent on how frequently the total oil quantity is circulated and whether or not the oil is cooled.

¹⁾ More frequent oil changes are needed if the operating conditions are more demanding.

Fig. 3

Oil bath

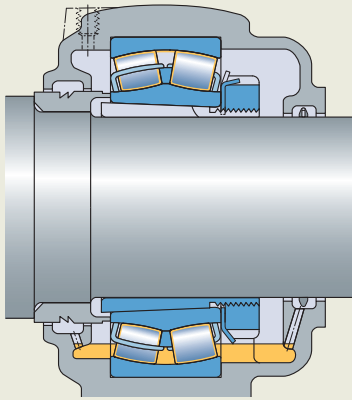


Fig. 4

Self-circulating oil by drain and ducts

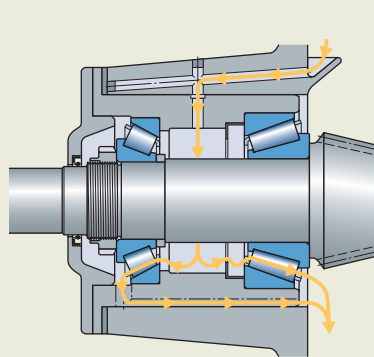


Fig. 5

Oil pick-up rings on SONL housing

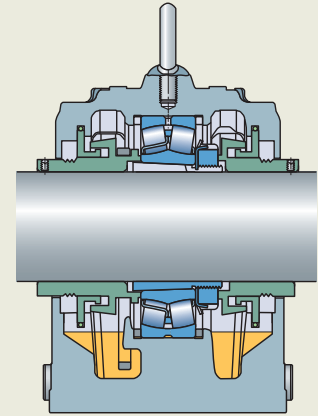


Fig. 6

Pumping effect in vertical shaft application

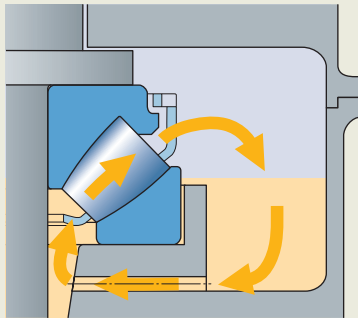


Fig. 8

Oil jet

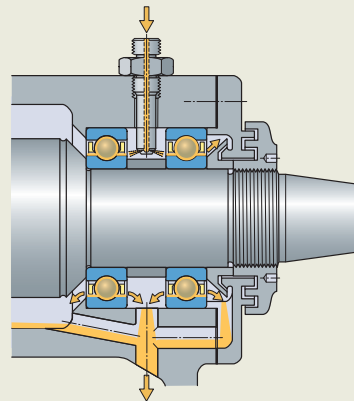


Fig. 7

Circulating oil

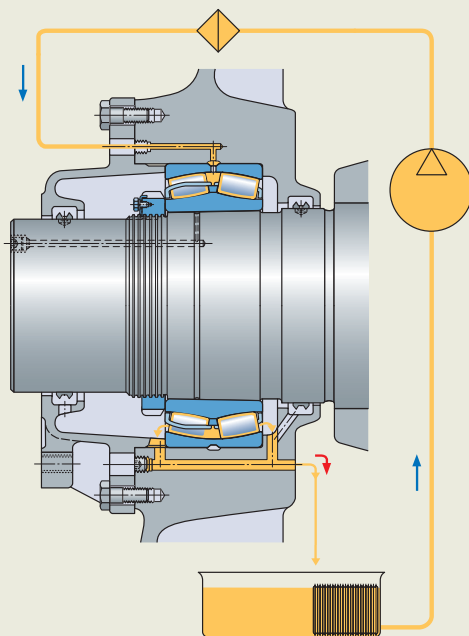
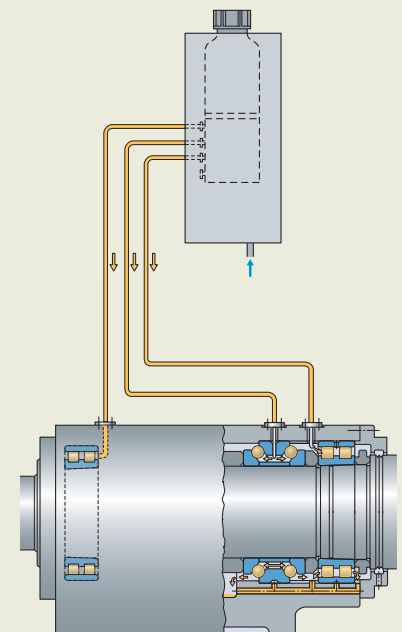


Fig. 9

Oil-air



SKF bearing grease selection chart

Grease	Description	Application example	Temperature range ¹⁾		Temp.	Speed
			LTL	HTPL		
LGMT 2	General purpose industrial and automotive	Automotive wheel bearings Conveyors and fans Small electric motors	-30 °C (-20 °F)	120 °C (250 °F)	M	M
LGMT 3	General purpose industrial and automotive	Bearings with d > 100 mm Vertical shaft or outer bearing ring rotation Car, truck and trailer wheel bearings	-30 °C (-20 °F)	120 °C (250 °F)	M	M
LGEP 2	Extreme pressure	Forming and press section of paper mills Work roll bearings in steel industry Heavy machinery, vibrating screens	-20 °C (-5 °F)	110 °C (230 °F)	M	L to M
LGWA 2	Wide temperature ³⁾ , extreme pressure	Wheel bearings in cars, trailers and trucks Washing machines Electric motors	-30 °C (-20 °F)	140 °C (285 °F)	M to H	L to M
LGGB 2	Biodegradable, low toxicity ⁴⁾	Agricultural and forestry equipment Construction and earthmoving equipment Water treatment and irrigation	-40 °C (-40 °F)	90 °C (195 °F)	L to M	L to M
LGFP 2	Food compatible	Food processing equipment Wrapping machines Bottling machines	-20 °C (-5 °F)	110 °C (230 °F)	M	M
LGFQ 2	Food compatible High load	Pellet presses Mills Mixers	-40 °C (-40 °F)	140 °C (285 °F)	L to H	VL to M
LGBB 2	Wind turbine blade and yaw bearing grease	Wind turbine blade and yaw slewing bearings	-40 °C (-40 °F)	120 °C (250 °F)	L to M	VL
LGLT 2	Low temperature, extremely high speed	Textile and machine tool spindles Small electric motors and robots Printing cylinders	-50 °C (-60 °F)	110 °C (230 °F)	L to M	M to EH
LGWM 1	Extreme pressure, low temperature	Main shaft of wind turbines Centralised lubrication systems Spherical roller thrust bearing applications	-30 °C (-20 °F)	110 °C (230 °F)	L to M	L to M
LGWM 2	High load, wide temperature	Main shaft of wind turbines Heavy duty off road or marine applications Snow exposed applications	-40 °C (-40 °F)	110 °C (230 °F)	L to M	L to M
LGEM 2	High viscosity plus solid lubricants	Jaw crushers Construction machinery Vibrating machinery	-20 °C (-5 °F)	120 °C (250 °F)	M	VL
LGEV 2	Extremely high viscosity with solid lubricants	Trunnion bearings Support and thrust rollers on rotary kilns and dryers Slewing ring bearings	-10 °C (-15 °F)	120 °C (250 °F)	M	VL
LGHB 2	EP high viscosity, high temperature ⁵⁾	Steel on steel plain bearings Dryer section of paper mills Work roll bearings and continuous casting in steel industry Sealed spherical roller bearings up to 150 °C (300 °F)	-20 °C (-5 °F)	150 °C (300 °F)	M to H	VL to M
LGHP 2	High performance polyurea grease	Electric motors Fans, even at high speed High speed ball bearings at medium and high temperatures	-40 °C (-40 °F)	150 °C (300 °F)	M to H	M to H
LGED 2	High temperature Harsh environment	Bakery/brick oven equipment Glass industry Vacuum pumps	-30 °C (-20 °F)	240 °C (464 °F)	VH	L to M
LGET 2	Extreme temperature	Bakery equipment (ovens) Wafer baking machines Textile dryers	-40 °C (-40 °F)	260 °C (500 °F)	VH	L to M

¹⁾ LTL = Low Temperature Limit. Defined by means of the IP 186 Low temperature torque test. HTPL = High Temperature Performance Limit

²⁾ mm²/s at 40 °C (105 °F) = cSt.

³⁾ LGWA 2 can withstand peak temperatures of 220 °C (430 °F)

⁴⁾ LGGB 2 can withstand peak temperatures of 120 °C (250 °F)

⁵⁾ LGHB 2 can withstand peak temperatures of 200 °C (390 °F)

Load	Thickener / base oil	NLGI	Base oil viscosity ²⁾	Vertical shaft	Fast outer ring rotation	Oscillating movements	Severe vibrations	Peak loads or frequent startup	Rust inhibiting properties	
L to M	Lithium soap / mineral oil	2	110	●			+		+	Wide application greases
L to M	Lithium soap / mineral oil	3	125	+	●		+		●	
H	Lithium soap / mineral oil	2	200	●		●	+	+	+	
L to H	Lithium complex soap / mineral oil	2	185	●	●	●	●	+	+	
M to H	Lithium-calcium soap / synthetic ester oil	2	110	●		+	+	+	●	Special requirements
L to M	Aluminium complex / medical white oil	2	150	●					+	
L to VH	Complex calcium sulphionate/PAO	1-2	320	●	●	+	+	+	+	Low temperature
M to H	Lithium complex soap / synthetic PAO oil	2	68			+	+	+	+	
L	Lithium soap / synthetic PAO oil	2	18	●				●	●	
H	Lithium soap / mineral oil	1	200			+		+	+	High loads
L to h	Complex calcium sulphionate / synthetic PAO oil / mineral oil	1-2	80	●	●	+	+	+	+	
H to VH	Lithium soap / mineral oil	2	500	●		+	+	+	+	High temperature
H to VH	Lithium-calcium soap / mineral oil	2	1020	●		+	+	+	+	
L to VH	Complex calcium sulphionate / mineral oil	2	425	●	+	+	+	+	+	
L to M	Di-urea / mineral oil	2 to 3	96	+			●	●	+	High temperature
H to VH	PTFE / synthetic fluorinated polyether oil	2	460	●	●	+	●	●	●	
H to VH	PTFE / synthetic fluorinated polyether oil	2	400	●	+	+	●	●	●	

● = Suitable + = Recommended

Technical specifications for SKF greases

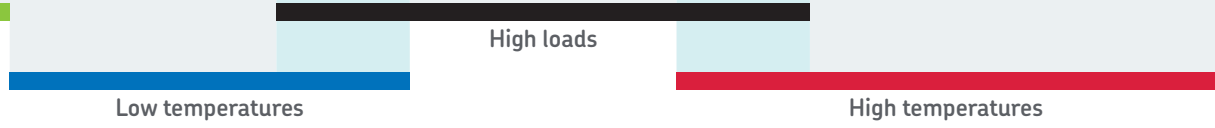
		LGMT 2	LGMT 3	LGEP 2	LGWA 2	LGGB 2	LGFP 2	LGFAQ 2
DIN 51825 code		K2K-30	K3K-30	KP2G-20	KP2N-30	KPE 2K-40	K2G-20	KP1/2N-40
NLGI consistency grade		2	3	2	2	2	2	1-2
Thickener		Lithium	Lithium	Lithium	Lithium complex	Lithium/calcium	Aluminium complex	Complex calcium sulphate
Colour		Red brown	Amber	Light brown	Amber	Off white	Transparent	Brown
Base oil type		Mineral	Mineral	Mineral	Mineral	Synthetic (Ester)	Medical white oil	Synthetic (PAO)
Operating temperature range	°C °F	-30 to +120 (-20 to +250)	-30 to +120 (-20 to +250)	-20 to +110 (-5 to +230)	-30 to +140 (-20 to +285)	-40 to +90 (-40 to +195)	-20 to +110 (-5 to +230)	-40 to +140 (-40 to +284)
Dropping point DIN ISO 2176	°C °F	>180 (>355)	>180 (>355)	>180 (>355)	>250 (>480)	>170 (>340)	>250 (>480)	>300 (>570)
Base oil viscosity								
40 °C (105 °F)	mm ² /s	110	125	200	185	110	150	320
100 °C (210 °F)	mm ² /s	11	12	16	15	13	15,3	30
Penetration DIN ISO 2137								
60 strokes	10 ⁻¹ mm	265-295	220-250	265-295	265-295	265-295	265-295	280-310
100 000 strokes	10 ⁻¹ mm	+50 max. (325 max.)	280 max.	+50 max. (325 max.)	+50 max. (325 max.)	+50 max. (325 max.)	+30 max.	+30 max.
Mechanical stability								
Roll stability, 50 h at 80 °C (175 °F)	10 ⁻¹ mm	+50 max.	295 max.	+50 max.	+50 max. change	+70 max. (350 max.)		-20 to +30 max.
V2F test		"M"	"M"	"M"	"M"			
Corrosion protection								
Emcor:								
- standard ISO 11007		0-0	0-0	0-0	0-0	0-0	0-0 ¹⁾	0-0
- water washout test		0-0	0-0	0-0	0-0			
- salt water test (100% seawater)		0-1 ¹⁾		1-1 ¹⁾				0-0
Water resistance								
DIN 51 807/1, 3 h at 90 °C (195 °F)		1 max.	2 max.	1 max.	1 max.	0 max.	1 max.	1 max.
Oil separation								
DIN 51 817, 7 days at 40 °C (105 °F), static	%	1-6	1-3	2-5	1-5	0,8-3	1-5	3 max.
Lubrication ability								
R2F, running test B at 120 °C (250 °F)		Pass	Pass	Pass	Pass 100 °C (210 °F)	Pass 100 °C (210 °F) ¹⁾		Pass
R2F, cold chamber test, -30 °C (-20 °F), +20 °C (+70 °F)								
Copper corrosion								
DIN 51 811		2 max. 110 °C (230 °F)	2 max. 130 °C (265 °F)	2 max. 110 °C (230 °F)	2 max. 100 °C (210 °F)		1 max. 120 °C (250 °F)	1b max. 100 °C (210 °F)
Rolling bearing grease life								
ROF test	h		1 000 min., 130 °C (265 °F)			>300, 120 °C (250 °F)	1 000, 110 °C (230 °F) ¹⁾	
L ₅₀ life at 10 000 r/min								
EP performance								
Wear scar DIN 51350/5, 1 400 N	mm			1,4 max.	1,6 max.	1,8 max.	1 100 min.	1 max.
4-ball test, welding load DIN 51350/4	N			2 800 min.	2 600 min.	2 600 min.		>4 000
Fretting corrosion								
ASTM D4170 FAFNIR test at +25 °C (75 °F)	mg			5,7 ¹⁾				0,8 ¹⁾
Low temperature torque								
IP186, starting torque	Nmm ¹⁾	98, -30 °C (-20 °F)	145, -30 °C (-20 °F)	70, -20 °C (-5 °F)	40, -30 °C (-20 °F)		137, -30 °C (-20 °F)	369, -40 °C (-40 °F)
IP186, running torque	Nmm ¹⁾	58, -30 °C (-20 °F)	95, -30 °C (-20 °F)	45, -20 °C (-5 °F)	30, -30 °C (-20 °F)		51, -30 °C (-20 °F)	223, -40 °C (-40 °F)

Special requirements

Wide applications greases

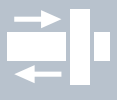
¹⁾ Typical value

	LGBB 2	LGLT 2	LGWM 1	LGWM 2	LGEM 2	LGEV 2	LGHB 2	LGHP 2	LGED 2	LGET 2
Grease	KP2G-40	K2G-50	KP1G-30	KP2G-40	KPF2K-20	KPF2K-10	KP2N-20	K2N-40	KFK2U-30	KFK2U-40
Consistency	2	2	1	1-2	2	2	2	2-3	2	2
Base oil	Lithium complex	Lithium	Lithium	Complex calcium sulphonate	Lithium	Lithium/calcium	Complex calcium sulphonate	Di-urea	PTFE	PTFE
Color	Yellow	Beige	Brown	Yellow	Black	Black	Brown	Blue	Off white	Off white
Base oil type	Synthetic (PAO)	Synthetic (PAO)	Mineral	Synthetic (PAO)/Mineral	Mineral	Mineral	Mineral	Mineral	Synthetic (fluorinated polyether)	Synthetic (fluorinated polyether)
Operating temperature range	-40 to +120 (-40 to +250)	-50 to +110 (-60 to +230)	-30 to +110 (-20 to +230)	-40 to +110 (-40 to +230)	-20 to +120 (-5 to +250)	-10 to +120 (15 to 250)	-20 to +150 (-5 to +300)	-40 to +150 (-40 to +300)	-30 to +240 (-22 to +464)	-40 to +260 (-40 to +500)
Drop point	>200 (390)	>180 (>355)	>170 (>340)	>300 (>570)	>180 (>355)	>180 (>355)	>220 (>430)	>240 (>465)	>300 (>570)	>300 (>570)
Grease life	68	18 4,5	200 16	80 8,6	500 32	1020 58	425 26,5	96 10,5	460 42	400 38
Load capacity	265-295 +50 max.	265-295 +50 max.	310-340 +50 max.	280-310 +30 max.	265-295 325 max.	265-295 325 max.	265-295 -20 to +50 (325 max.)	245-275 365 max.	265-295 271 ¹⁾	265-295 -
Shock load capacity	+50 max.			+50 max.	345 max. "M"	+50 max. "M"	-20 to +50 "M"	365 max.		±30 max. 130 °C (265 °F)
Water content	0-0 0-1 ¹⁾	0-1	0-0 0-0	0-0 0-0 0-0 ¹⁾	0-0 0-0	0-0 0-0 ¹⁾ 0-0 ¹⁾	0-0 0-0 0-0 ¹⁾	0-0 0-0 0-0	0-0 ¹⁾	1-1 max.
Water washability	1 max.	1 max.	1 max.	1 max.	1 max.	1 max.	1 max.	1 max.	1 max.	0 max.
Water resistance	4 max, 2,5 ¹⁾	<4	8-13	3 max.	1-5	1-5	1-3, 60 °C (140 °F)	1-5 ¹⁾		13 max. 30 h 200 °C (390 °F)
Water resistance (high temp)				Pass, 140 °C (285 °F) Pass, Pass	Pass, 100 °C (210 °F)		Pass, 140 °C (285 °F)	Pass		
High temperature stability	1 max. 120 °C (250 °F)	1 max. 100 °C (210 °F)	2 max. 90 °C (>195 °F)	2 max. 100 °C (210 °F)	2 max. 100 °C (210 °F)	1 max. 100 °C (210 °F)	2 max. 150 °C (300 °F)	1 max. 150 °C (300 °F)	1 max. 100 °C (210 °F) ¹⁾	1 max. 150 °C (300 °F)
High speed stability		>1 000, 20 000 r/min 100 °C (210 °F)		1 824 ¹⁾ , 110 °C (230 °F)			>1 000, 130 °C (265 °F)	1 000 min. 150 °C (300 °F)	>700 at 220 °C (430 °F)	>1 000 ¹⁾ at 220 °C (428 °F)
High speed stability (low temp)	0,4 ¹⁾ 5 500 ¹⁾	2 000 min.	1,8 max. 3 200 min. ¹⁾	1,5 max. ¹⁾ 4 000 min. ¹⁾	1,4 max. 3 000 min.	1,2 max. 3 000 min.	0,86 ¹⁾ 4 000 min.		8 000 min.	8 000 min.
High speed stability (high temp)	0-1 ¹⁾		5,5 ¹⁾	5,2 / 1,1 at -20 °C (-5 °F) ¹⁾			0 ¹⁾	7 ¹⁾		
Low temperature stability	313, -40 °C (-40 °F) 75, -40 °C (-40 °F)	32, -50 °C (-60 °F) 21, -50 °C (-60 °F)	178, 0 °C (32 °F) 103, 0 °C (32 °F)	249, -40 °C (-40 °F) 184, -40 °C (-40 °F)	160, -20 °C (-5 °F) 98, -20 °C (-5 °F)	96, -10 °C (14 °F) 66, -10 °C (14 °F)	250, -20 °C (-5 °F) 133, -20 °C (-5 °F)	1 000, -40 °C (-40 °F) 280, -40 °C (-40 °F)		



B.5

Operating temperature and speed



B.5 Operating temperature and speed

Bearing operating temperature and heat flow	130
Bearing size, operating temperature and lubrication conditions	131
Thermal equilibrium	131
Generated heat	131
Dissipated heat	132
Bearing friction, power loss and starting torque	132
SKF model of bearing friction	132
Starting torque	133
Estimating bearing operating temperature	133
Estimating heat dissipation from SKF plummer (pillow) blocks	133
Cooling via circulating oil	134
Further temperature-related checks	135
Speed limitations	135
Approximate thermal speed limit based on ISO standard conditions	135
Adjusted reference speed	135
Mechanical speed limit	135
Speeds above the reference or limiting speed	136

B.5 Operating temperature and speed

The relationships between the temperature and power loss of components within an application is complex and these factors, in turn, have interdependencies with many others such as bearing sizes, loads and lubrication conditions.

They influence many performance characteristics of an application and its parts, and do so in various ways depending on the operational state, such as at start-up or in normal operation, when steady-state conditions have been reached.

Estimating the operating temperature and verifying speed limitations is a critical aspect of the analysis of an application.

This section provides details of these primary relationships, and guidance on what to consider.

Bearing operating temperature and heat flow

Temperature has a major influence on many performance characteristics of an application. The heat flow to, from and within an application determines the temperature of its parts.

The operating temperature of a bearing is the steady-state temperature it attains when running and in thermal equilibrium with its surrounding elements. The operating temperature results from ([diagram 1](#)):

- the heat generated by the bearing, as a result of the combined bearing and seal frictional power loss
- the heat from the application transferred to the bearing via the shaft, housing, foundation and other elements in its surroundings
- the heat dissipated from the bearing via the shaft, housing, foundation, lubricant cooling system (if used) and other cooling devices

The bearing operating temperature depends as much on the application design as on the bearing generated friction. Therefore, the bearing, its adjacent parts and the application should all be thermally analysed.

Bearing size, operating temperature and lubrication conditions

For a given bearing type, the bearing size, operating temperature and lubrication conditions are interdependent as follows (diagram 2):

- Bearing size is selected based on bearing load, speed and lubrication conditions.
- Operating temperature is a function of the bearing load, size, speed and lubrication conditions.
- Lubrication conditions depend on the operating temperature, the viscosity of the lubricant and the speed.

These interdependencies are dealt with by taking an iterative approach to the analysis, in order to achieve an optimum design for a bearing arrangement and select the most appropriate components for it.

Thermal equilibrium

The operating temperature of a bearing reaches a steady state when there is thermal equilibrium – i.e. there is a balance between generated heat and dissipated heat.

Provided that the load ratio $C/P > 10$ and the speed is below 50% of the limiting speed n_{lim} , and there is no pronounced external heat input, then cooling via the surrounding air and foundation is usually sufficient to result in an operating temperature well below 100 °C (210 °F). Where these conditions are not met, perform a more detailed analysis, as additional heat dissipation may be required.

Generated heat

The heat generated is the sum of:

- heat generated by the bearing, as a result of the combined bearing and seal frictional power loss
- heat flow from adjacent parts or processes

Bearing frictional heat (power loss)

Bearing friction consists mainly of rolling friction, sliding friction, seal friction and oil drag losses (*Bearing friction, power loss and starting torque*, page 132).

Heat flow from adjacent parts or processes

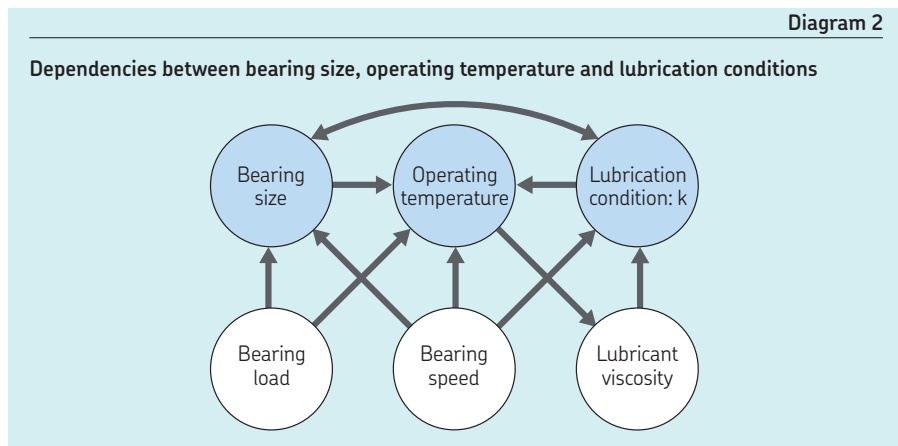
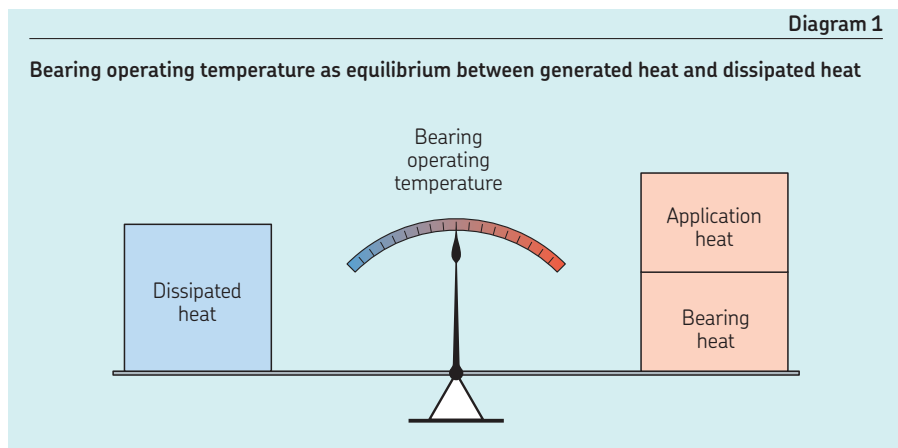
In many applications, the bearings are in locations where they receive:

- heat from working parts of the machine, e.g. caused by friction in gears or shaft seals
- external heat, e.g. from hot steam going through a hollow shaft

The operating temperature of the bearings is influenced by this, in addition to their self-generated heat. Examples of such applications include:

- drying cylinders in paper machines
- calender rolls in plastic foil machines
- compressors
- hot gas fans

The heat input from adjacent parts within the application or from the process can be very pronounced and is typically very difficult to estimate. The rule is to insulate the bearing, as far as possible, from the additional heat flow.



Dissipated heat

The heat dissipated is the sum of:

- heat dissipated by the shaft, housing and ambient airflow, e.g. cooling effects in arctic conditions
- heat dissipated via the lubricant or lubrication system

Bearing friction, power loss and starting torque

Bearing friction is not constant and depends on certain tribological phenomena that occur in the lubricant film between the rolling elements, raceways and cages.

Friction changes as a function of speed, in a bearing with a given lubricant, are shown in [diagram 3](#). Four zones are distinguishable:

- **Zone 1 – Boundary lubrication condition**, in which only the asperities carry the load, and so friction between the moving surfaces is high.
- **Zone 2 – Mixed lubrication condition**, in which a separating oil film carries part of the load, with fewer asperities in contact, and so friction decreases.
- **Zone 3 – Full film lubrication condition**, in which the lubricant film carries the load, but with increased viscous losses, and so friction increases.
- **Zone 4 – Full film lubrication with thermal and starvation effects**, in which the inlet shear heating and kinematic replenishment reduction factors compensate partially for the viscous losses, and so friction evens off.

SKF model of bearing friction

In the SKF model for calculating bearing friction, the total frictional moment, M , is derived from four sources:

$$M = M_{rr} + M_{sl} + M_{seal} + M_{drag}$$

where

M_{rr} = the rolling frictional moment, and includes effects of lubricant starvation and inlet shear heating [Nmm]

M_{sl} = the sliding frictional moment, and includes the effects of the quality of lubrication conditions [Nmm]

M_{seal} = the frictional moment from integral seals [Nmm]

Where bearings are fitted with contact seals, the frictional losses from the seals may exceed those generated in the bearing.

M_{drag} = the frictional moment from drag losses, churning, splashing, etc., in an oil bath [Nmm]

Calculating values for these four sources of friction is complex. Therefore, we recommend using the *SKF Bearing Calculator* (skf.com/bearingcalculator).

For detailed information on the calculations, refer to *The SKF model for calculating the frictional moment* (skf.com/go/17000-B5).

When the total frictional moment, M , of the bearing is known, you can calculate the bearing frictional power loss using

$$P_{loss} = 1,05 \times 10^{-4} M n$$

where

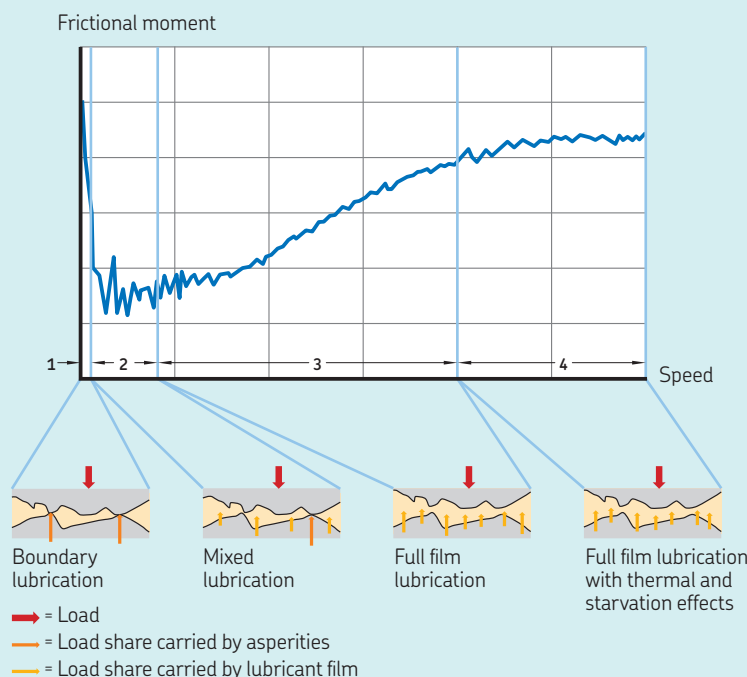
P_{loss} = bearing frictional power loss [W]

M = total frictional moment [Nmm]

n = rotational speed [r/min]

Diagram 3

Bearing frictional moment as a function of speed



Starting torque

The starting torque of a rolling bearing is defined as the frictional moment that must be overcome by the bearing to start rotating, at an ambient temperature of 20 to 30 °C (70 to 85 °F). Therefore, only the sliding frictional moment and the frictional moment of seals, if applied, are taken into consideration.

$$M_{\text{start}} = M_{\text{sl}} + M_{\text{seal}}$$

where

M_{start} = starting frictional moment [Nmm]

M_{sl} = sliding frictional moment [Nmm]

M_{seal} = frictional moment of the seals [Nmm]

We recommend using the *SKF Bearing Calculator* (skf.com/bearingcalculator) for calculating starting torque values.

Estimating bearing operating temperature

If you are able to estimate a value for the heat dissipation from a bearing, W_s , you can estimate the operating temperature, T_{bear} , for a bearing in thermal equilibrium, under steady-state conditions, using

$$T_{\text{bear}} = (P_{\text{loss}} / W_s) + T_{\text{amb}}$$

where

T_{bear} = estimated average bearing operating temperature [°C]

P_{loss} = bearing frictional power loss [W]

W_s = total heat dissipation per degree above ambient temperature [W/°C]

T_{amb} = ambient temperature [°C]

Should the value of the estimated bearing operating temperature be too high for the application requirements – for example, resulting in a κ value that is too low, or a relubrication interval that is too short – a possible solution may be to reduce the operating temperature by means of a circulating oil lubrication system.

Estimating heat dissipation from SKF plummer (pillow) blocks

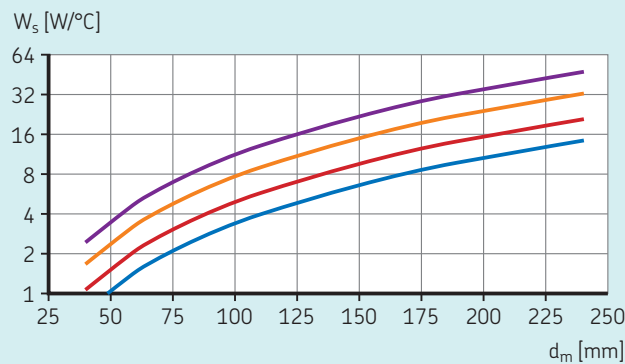
For SKF plummer (pillow) block housings, you can use a model based on bearing size to estimate heat dissipation values.

Using [diagram 4](#), you can estimate the heat dissipation per degree above ambient temperature, W_s , for a bearing with bearing mean diameter d_m in a plummer block housing, with the shaft exposed to the surrounding air.

The estimation is valid for SKF plummer block housings used with grease or oil bath lubrication and only where there is no significant heat input from external sources, such as steam heating of shafts or pronounced radiation from hot surfaces.

Diagram 4

Heat dissipation for SKF plummer block housings



Key	Foundation material	Velocity of surrounding air	Dissipation method
		m/s	
	concrete	0,5	by natural airflow
	steel	0,5	by natural airflow
	steel	2,5	by forced airflow
	steel	5	by forced airflow

B.5 Operating temperature and speed

Cooling via circulating oil

By circulating the oil, it is possible to cool it, and thereby remove heat from the bearing arrangement.

In **Diagram 5**, the curved line shows the bearing frictional power loss, P_{loss} , and the angled line shows the heat dissipation, W_s .

Taking the heat dissipated via oil circulation into account, the bearing thermal equilibrium under steady-state conditions becomes:

$$P_{\text{loss}} = W_s (T_{\text{bear}} - T_{\text{amb}}) + P_{\text{oil}}$$

where

P_{loss} = bearing frictional power loss [W]

W_s = total heat dissipation per degree above ambient temperature [W/°C]

T_{bear} = estimated required bearing operating temperature [°C]

T_{amb} = the ambient temperature [°C]

P_{oil} = estimated power dissipated in the oil cooler [W]

Taking the heat dissipation via oil circulation into account, you can estimate the bearing operating temperature using

$$T_{\text{bear}} = ((P_{\text{loss}} - P_{\text{oil}}) / W_s) + T_{\text{amb}}$$

You can estimate the power that must be dissipated by oil cooling, for a given bearing temperature, using

$$P_{\text{oil}} = P_{\text{loss}} - W_s (T_{\text{bear}} - T_{\text{amb}})$$

You can estimate the required oil flow, for a given quantity of power that must be dissipated by oil cooling (P_{oil}), using

$$Q = P_{\text{oil}} / (27 (T_{\text{out}} - T_{\text{in}}))$$

where

Q = required oil flow [l/min]

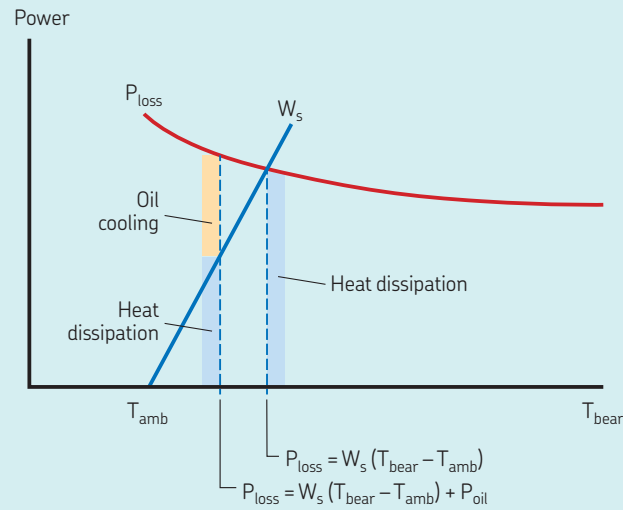
P_{oil} = power dissipated in the oil cooler [W]

T_{out} = oil temperature at the housing oil outlet [°C]

T_{in} = oil temperature at the housing oil inlet [°C]

Diagram 5

Relationship between power loss, heat dissipation and temperature



If you do not have values for T_{out} or T_{in} , you may assume a temperature difference of 5 to 10 °C (10 to 20 °F).

The limit of cooling that is possible via circulating oil is determined by the degree of heat transfer that can be obtained from a given bearing. As a rule of thumb, you can determine the maximum oil flow, above which no significant temperature reduction is obtained, using

$$Q_{\text{max}} = (D B) / 12\,500$$

where

Q_{max} = maximum oil flow [l/min]

D = bearing outer diameter [mm]

B = bearing width [mm]

Further temperature-related checks

After you have estimated the operating temperature, check:

- that the temperature assumption for calculating bearing life (operating viscosity) was correct
- the lubricant selection and temperature limits
- the grease or oil change interval
- the cage and seal material limits

Speed limitations

The speed capability of a bearing is normally determined by the bearing operating temperature. However, for certain bearing types and arrangements, the mechanical limits of the bearing components may have a significant influence.

The product tables typically provide two speed ratings:

- the reference speed, which is based on thermal conditions
- the limiting speed, which is based on mechanical limits

Both speed ratings are cautionary limits, rather than strict prohibiting limits, but approaching either of them signals that deeper analysis of the operating conditions is required.

For bearings with contact seals, no reference speeds are listed in the product tables. Typically, the limiting speed determines the maximum speed for these bearings.

Approximate thermal speed limit based on ISO standard conditions

The reference speed listed in the product tables is based on the SKF friction model and derived from thermal equilibrium under the ISO 15312 standardized operating and cooling conditions. Its main purpose is to provide a quick assessment of the speed capabilities of a bearing. You can also use it to estimate a thermal speed limit.

The ISO reference speed is valid for open bearings only, operating under the following conditions:

- predefined reference heat dissipation
- light loads
 - radial load $P = 0,05 C_0$ for radial bearings
 - axial load $P = 0,02 C_0$ for thrust bearings
- nominal temperature increase of 50 °C (90 °F) above an ambient reference temperature of 20 °C (70 °F)
- oil lubrication with mineral oil without EP additives
 - ISO VG32 for radial bearings
 - ISO VG68 for thrust bearings
- clean conditions
- sufficient operating clearance (*Selecting initial internal clearance*, [page 183](#))
- horizontal shaft, rotating inner ring and stationary outer ring

The ISO standard does not provide reference conditions for sealed bearings.

The ISO standard, established for oil lubrication, is also valid for grease lubrication, provided a lithium based grease with mineral base oil having a viscosity between 100 and 200 mm²/s is used. Grease lubricated bearings may, however, undergo a temperature peak during initial start-up, requiring a running-in period before they reach their steady-state operating temperature.

Adjusted reference speed

The ISO reference speed is valid for a standardized set of operating conditions including standardized heat dissipation. Therefore, SKF recommends calculating the adjusted reference speed considering the actual load and lubricant viscosity in your application. Do this using the *SKF Bearing Calculator* (skf.com/bearingcalculator). However, this reference speed adjustment does not include the data regarding the actual heat dissipation for your application, so a conservative approach to the result is recommended. To include effects from heat dissipation, a detailed thermal analysis is required.

Mechanical speed limit

The limiting speed indicated in the product tables is a maximum speed valid for the standard bearing execution that should not be exceeded unless the bearing design and the application is adapted to a higher speed.

The limiting speed is determined by:

- the form stability or strength of the cage
- lubrication of the cage guiding surfaces
- centrifugal and gyratory forces acting on the rolling elements
- other speed-limiting factors, such as seals and the lubricant for sealed bearings

NOTE

Some open ball bearings have very low friction, and the reference speeds listed for them might be higher than their limiting speeds. Do not use only the mechanical speed limit. Also calculate the adjusted reference speed. The lower of the two sets the speed limit.

Speeds above the reference or limiting speed

It is possible to operate a bearing at speeds above its reference speed, its adjusted reference speed, or even the limiting speed.

Before doing so, first make a detailed thermal analysis, and take whatever further measures may be required, such as use of special cage executions, or consider using high precision bearings. Regarding management of the effects of increased speed, consider the following options:

- Control the resulting increase in bearing temperature by additional cooling.
- Compensate for any reduction in bearing clearance resulting from increased bearing temperature.
- Revise the housing fitting tolerance choice to ensure that the influence of increased bearing temperature does not impair the axial displaceability of non-locating bearing outer rings.
- Revise the bearing tolerance class, together with the geometrical precision of the shaft and housing seats, to ensure these are sufficient to avoid excessive vibration.
- Consider using an alternative cage execution that is suitable for higher speed operation, in particular when approaching or exceeding the limiting speed.
- Ensure that the lubricant and lubrication method used are compatible with the higher operating temperature and the cage execution.
- Check that the relubrication interval is still acceptable, particularly for grease lubricated bearings. Oil lubrication may be required.

B.6

Bearing interfaces



B.6 Bearing interfaces

The ISO tolerance system	140
Selecting fits	140
Conditions of rotation	142
Magnitude of load	143
Temperature differences	143
Precision requirements	143
Design and material of the shaft and housing	143
Ease of mounting and dismounting	143
Axial displacement of the bearing in the non-locating position	143
Tolerances for bearing seats and abutments	144
Tolerances for seats on hollow shafts	146
Tolerances for tapered seats	147
Taper position	147
Checking tolerances	147
Surface texture of bearing seats	147
Seat tolerances for standard conditions	148
Bearings with a tapered bore	149
Tolerances and resultant fits	153
Provisions for mounting and dismounting	176
Axial location of bearing rings	178
Bearings with a tapered bore	178
Abutments and fillets	178
Radially free mounted bearings for axial load	179
Raceways on shafts and in housings	179

B.6 Bearing interfaces

Bearing seats on shafts and in housings, and components which locate a bearing axially, have a significant impact on bearing performance. To fully exploit the load carrying ability of a bearing, its rings or washers should be fully supported around their complete circumference and across the entire width of the raceway. Bearing seats should be manufactured to adequate geometrical and dimensional tolerances and be uninterrupted by grooves, holes or other features.

In this section you can find recommendations and requirements for designing bearing interfaces, including:

- criteria when selecting bearing fits
- recommended fits for standard conditions
- tables to help determine minimum, maximum and probable values of clearance or interference between the bearing and its seat
- recommendations for specifying geometrical tolerances of bearing seats
- recommendations for the axial support of bearing rings
- further design considerations for bearing interfaces

The ISO tolerance system

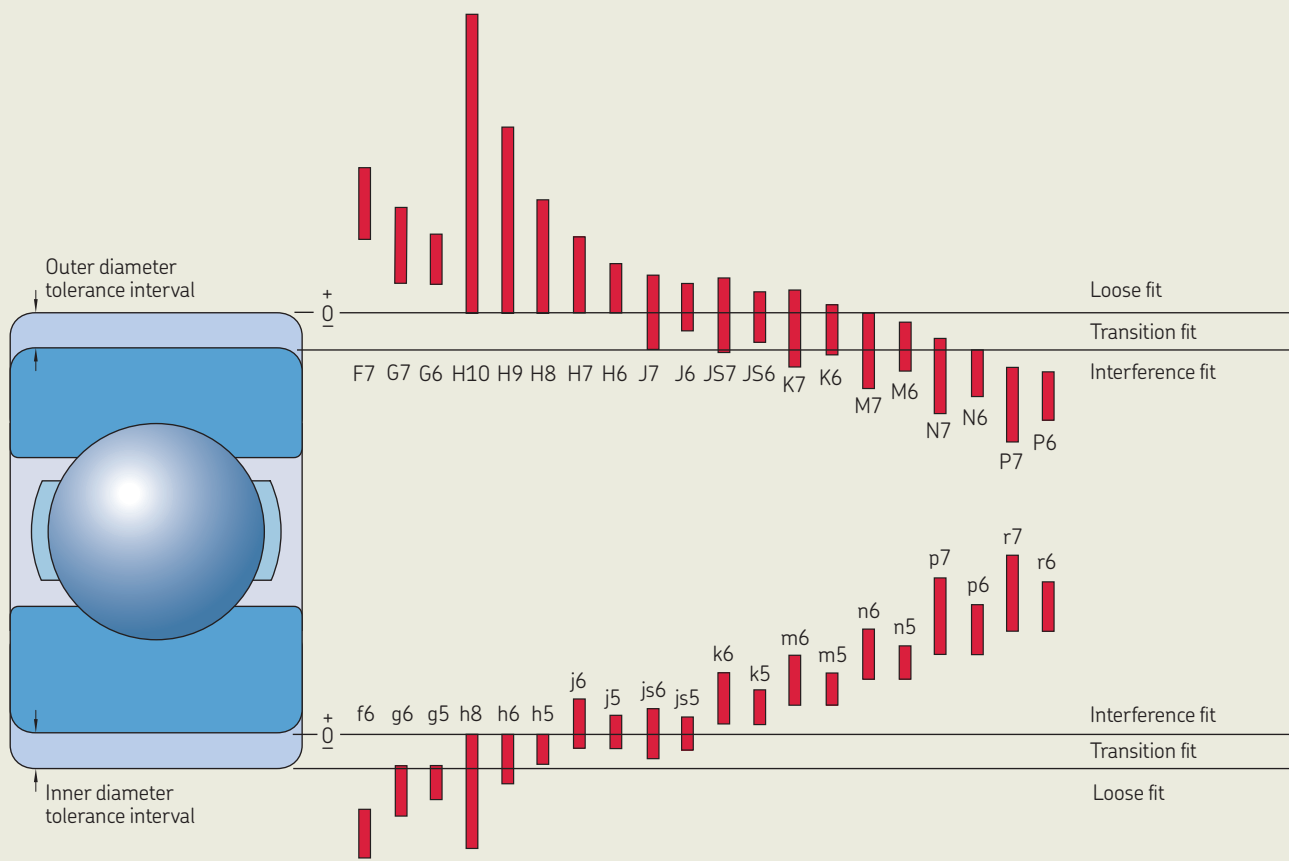
Fits for rolling bearings are typically specified with standard tolerance classes for holes and shafts as described in ISO 286-2. As bearings are typically manufactured to ISO tolerances (*Tolerances*, [page 36](#)), the selection of the tolerance class for the bearing seat determines the fit. The position and width of the tolerance intervals of commonly used tolerance classes relative to the bearing bore and outside diameter tolerances are illustrated in [fig. 1](#), which is valid for bearings with Normal tolerances and of medium size. It is important to note that the ISO tolerance classes for rolling bearings and for holes and shafts are different. The tolerances for each size vary over the full range of actual sizes. You should therefore select the respective tolerance classes for bearing seats based on the actual bearing size for your application.

Selecting fits

Fits can be selected by following the recommendations for bearing seat diameter tolerances (*Seat tolerances for standard conditions*, [page 148](#)). These recommendations will provide adequate solutions for the majority of applications. However, they do not cover all details of a specific application and so you may find that adjustments may be necessary. When selecting fits, you should consider the following topics.

Fig. 1

Position and width of shaft and housing tolerance classes



Conditions of rotation

Conditions of rotation refer to the relative motion between a bearing ring and the load acting upon it (table 1). Essentially, there are three different conditions:

- **Rotating loads**

These loads occur where either the bearing ring or the applied load is stationary while the other rotates. A bearing ring mounted with a loose fit will creep on its seat when subjected to a rotating load, and this can lead to fretting corrosion and eventually wear. To prevent this from happening, an adequate interference fit, between the ring subjected to rotating load and its seat, is required. For the purpose of selecting fits, loads that oscillate (such as loads acting on connecting rod bearings) are considered to be rotating loads.

- **Stationary loads**

These loads occur where both the bearing ring and the applied load are stationary or both are rotating at the same speed.

Under these conditions, a bearing ring normally does not creep and there is no risk of fretting corrosion or wear. In this case, the ring does not need to have an interference fit.

- **Direction of load indeterminate**

This refers to variable or alternating external loads, sudden load peaks, vibration or unbalanced loads in high-speed applications. These give rise to changes in the direction of load, which cannot be accurately described. Where the direction of load is indeterminate and particularly where heavy loads are involved, there is a risk of fretting corrosion or wear. You should use an interference fit for both rings. The same fit as for a rotating load is normally suitable. Where the outer ring

should be able to move axially in its housing, a loose fit must be used. However, a loose fit can result in housing wear. Where this cannot be tolerated, either protect the bearing seat surface or select a bearing that accommodates the axial displacement within itself (cylindrical roller, needle roller or CARB bearing). These bearings can be mounted with an interference fit for both rings.

Table 1

Conditions of rotation	Schematic illustration	Load condition	Recommended fits
Operating conditions Rotating inner ring Stationary outer ring Constant load direction		Rotating inner ring load Stationary outer ring load	Interference fit for the inner ring Loose fit for the outer ring possible
Rotating inner ring Stationary outer ring Load rotates with the inner ring		Stationary inner ring load Rotating outer ring load	Loose fit for the inner ring possible Interference fit for the outer ring
Stationary inner ring Rotating outer ring Constant load direction		Stationary inner ring load Rotating outer ring load	Loose fit for the inner ring possible Interference fit for the outer ring
Stationary inner ring Rotating outer ring Load rotates with outer ring		Rotating inner ring load Stationary outer ring load	Interference fit for the inner ring Loose fit for the outer ring possible

Magnitude of load

The ring of a bearing deforms proportionately to the load. For rotating inner ring loads, this deformation can loosen the interference fit between the inner ring and shaft, causing the ring to creep on its shaft seat. The heavier the load, the tighter the interference fit required. The required interference can be estimated using:

$$\Delta = 2,5 \sqrt{F_r \frac{d}{B}}$$

where

Δ = required interference [μm]
 d = bearing bore diameter [mm]
 B = bearing width [mm]
 F_r = radial load [kN]

Where sudden load peaks or vibration occurs, a tighter fit can be required.

Temperature differences

In operation, bearing rings normally reach a temperature that is higher than that of the components to which they are fitted. This can loosen the fit on the shaft seat, while outer ring expansion can prevent the desired axial displacement in the housing.

Rapid start-up can loosen the inner ring fit when the frictional heat generated by the bearing is not dissipated quickly enough. In some cases, friction from seals can generate enough heat to loosen the inner ring fit.

External heat and the direction of heat flow can have an effect on fits. Steady-state and transient conditions must be considered. For additional information about temperature differences, refer to *Selecting internal clearance or preload*, [page 182](#).

Precision requirements

To minimize deflections and vibration in precision or high-speed applications, interference or transition fits are recommended.

Design and material of the shaft and housing

Distortion of the bearing rings caused by shaft or housing design, for example by discontinuities of the seat or uneven wall thickness, should be avoided.

For split housings, SKF generally recommends loose fits. The tighter (less loose) the fit is in a split housing, the higher are the requirements for the geometrical tolerances of the seat. Split housings machined to tight tolerances, such as SKF plummer block housings, can be used for transition fits up to K7.

Bearings mounted in thin-walled housings or on hollow shafts require tighter interference fits than those recommended for robust cast iron housings or solid shafts (*Tolerances for seats on hollow shafts*, [page 146](#)).

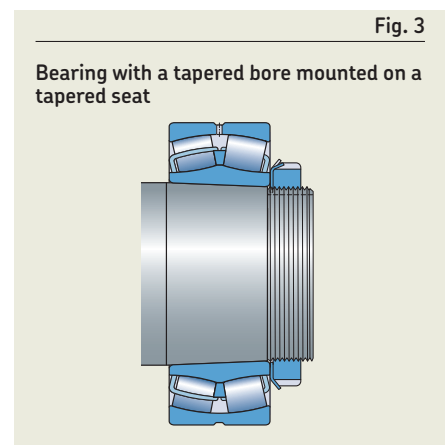
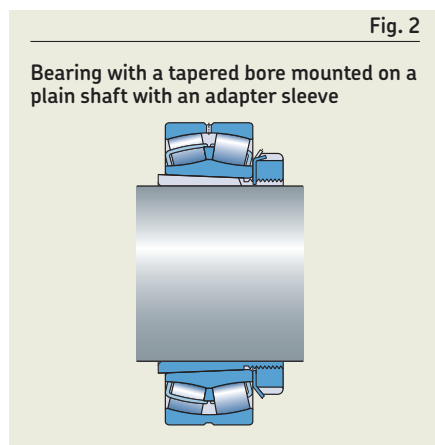
Shafts or housings made of materials other than steel or cast iron may require different fits depending on material strength and thermal properties.

Ease of mounting and dismounting

Loose fits are beneficial for easy mounting and dismounting. In applications where interference fits are required for both the shaft and housing seat, separable bearings or bearings with a tapered bore should be considered. Bearings with a tapered bore can be mounted on tapered sleeves ([fig. 2](#)) or on a tapered shaft seat ([fig. 3](#)).

Axial displacement of the bearing in the non-locating position

When a non-locating bearing needs to be able to move axially on its seat, the ring subjected to the stationary load should have a loose fit. For additional information about bearings in the non-locating position, refer to *Arrangements and their bearing types*, [page 70](#).



Tolerances for bearing seats and abutments

Dimensional tolerances for bearing seats are dictated by the required fit. Precision requirements of the application will direct you to which bearing tolerance class to use (*Bearing execution*, page 182) and, consequently, what run-out tolerance of the seat is needed. The run-out of the seat is specified by the total radial run-out of the seat surface and the total axial run-out of the abutment (ISO 1101, 18.16).

For bearings with Normal tolerances in general industrial applications, seats are

typically machined to the following tolerances:

- shaft seats to grade IT6 dimensional tolerances and grade IT5 total run-out tolerances
- housing seats to grade IT7 dimensional tolerances and grade IT6 total run-out tolerances

Suitable combinations of tolerance grades are listed in table 2. The tolerance zone for the total radial run-out is limited to half of the ISO tolerance grade, because the run-out tolerance is specified as a difference in radii of two coaxial cylinders, and the ISO tolerance grade refers to the diameter.

For seats of bearings mounted on withdrawal or adapter sleeves, wider diameter

tolerances are permissible. The total run-out tolerances should be the same as for bearings on cylindrical seats.

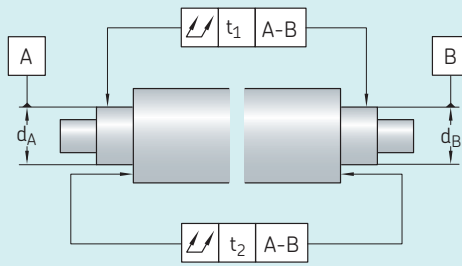
Tolerance values for ISO tolerance grades are listed in table 3.

Table 2

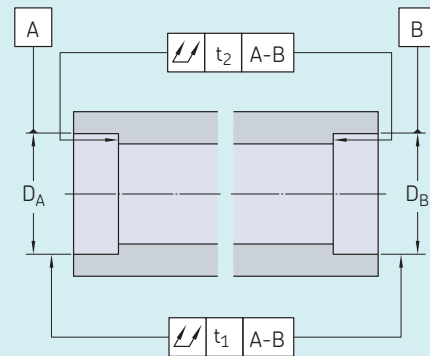
Tolerance grades for bearing seats¹⁾

Application requirements

Shaft seat



Housing seat



Dimensional tolerance grade

Geometrical tolerance grades

Radial run-out t_1 Axial run-out t_2

Dimensional tolerance grade

Geometrical tolerance grades

Radial run-out t_1 Axial run-out t_2

Bearing to Normal tolerances (moderate speed and running accuracy)

IT6 IT5/2 IT5

Bearing to P6 tolerances (higher speeds or running accuracy)

IT5 IT4/2 IT4

Bearing to P5 tolerances (high speeds and running accuracy)

IT4 IT3/2 IT3

IT7 IT6/2 IT6

IT6 IT5/2 IT5

IT5 IT4/2 IT4

¹⁾ For very high-speed and high-precision applications, use SKF super-precision bearings and reduced IT tolerances (skf.com/super-precision).

Example

A deep groove ball bearing 6030 is to be used in an electric motor. The bearing accommodates normal to heavy loads ($0,05 C < P \leq 0,1 C$), and requirements for speed and precision are moderate. An interference fit on the shaft is required. For this fit, the shaft diameter should be $150 \text{ m6} \text{ (E)}$. The total radial run-out should be within IT5/2 (from table 3: $18/2 = 9 \mu\text{m}$), and the total axial run-out of the abutment should be within IT5 (from table 3: $18 \mu\text{m}$).

The dimensional tolerance zone in grey and the tolerance zone for the total radial run-out in blue are shown in fig. 4. The blue zone can be located at any place within the grey zone, but must not be wider than $9 \mu\text{m}$.



Table 3

Values of ISO tolerance grades

Nominal dimension	Nominal dimension	Tolerance grades						
		IT3 max.	IT4	IT5	IT6	IT7	IT8	IT9
>	≤	μm						
mm		μm						
1	3	2	3	4	6	10	14	25
3	6	3	4	5	8	12	18	30
6	10	3	4	6	9	15	22	36
10	18	3	5	8	11	18	27	43
18	30	4	6	9	13	21	33	52
30	50	4	7	11	16	25	39	62
50	80	5	8	13	19	30	46	74
80	120	6	10	15	22	35	54	87
120	180	8	12	18	25	40	63	100
180	250	10	14	20	29	46	72	115
250	315	12	16	23	32	52	81	130
315	400	13	18	25	36	57	89	140
400	500	15	20	27	40	63	97	155
500	630	-	-	32	44	70	110	175
630	800	-	-	36	50	80	125	200
800	1 000	-	-	40	56	90	140	230
1 000	1 250	-	-	47	66	105	165	260
1 250	1 600	-	-	55	78	125	195	310
1 600	2 000	-	-	65	92	150	230	370
2 000	2 500	-	-	78	110	175	280	440

Tolerances for seats on hollow shafts

When a bearing is mounted on a hollow shaft using an interference fit, the shaft experiences more elastic deformation than a solid shaft. As a result, the effectiveness of the fit is less than for the same size solid shaft. The effectiveness of an interference fit on a hollow shaft depends on certain diameter ratios (fig. 5):

- the diameter ratio of the hollow shaft $c_i = d_i / d$
For diameter ratios $c_i \leq 0,5$ the reduction of effectiveness is negligible.
- the diameter ratio of the bearing inner ring $c_e = d / d_e$
When the average outside diameter of the inner ring d_e is not known, the diameter ratio can be estimated from

$$c_e = \frac{d}{k(D - d) + d}$$

- where
- c_e = diameter ratio of the bearing inner ring
 - d = bearing bore diameter [mm]
 - D = bearing outside diameter [mm]
 - k = adjustment factor
 - = 0,25 for self-aligning ball bearings in the 22 and 23 series
 - = 0,25 for cylindrical roller bearings
 - = 0,3 for other bearings

For shaft diameter ratios $c_i > 0,5$ the diameter tolerance determined for a seat on a solid shaft should be adjusted to achieve the same effectiveness of the fit on the hollow shaft. This can be done with the following procedure.

- 1 Determine the mean probable interference for the tolerance selected for a seat on a solid shaft, Δ_S (*Tolerances and resultant fits*, page 153).
- 2 Determine the required increase of interference for the seat on the hollow shaft from diagram 1, based on the diameter ratios c_i and c_e .
- 3 Calculate the required mean probable interference for the seat on the hollow shaft and select the tolerance class accordingly.

Example

A 6208 deep groove ball bearing with $d = 40$ mm and $D = 80$ mm is to be mounted on a hollow shaft with a diameter ratio $c_i = 0,8$. What is the appropriate tolerance class for the shaft seat?

The bearing is subjected to normal loads, and a tolerance class k5 is appropriate for a seat on a solid shaft.

- The diameter ratio of the bearing inner ring is

$$c_e = \frac{40}{0,3(80 - 40) + 40} = 0,77$$

- The mean probable interference on a solid shaft is $\Delta_S = (22 + 5) / 2 = 13,5 \mu\text{m}$ (table 14, page 160, k5 for a 40 mm shaft diameter)
- The increase in interference for the seat on the hollow shaft is $\Delta_H / \Delta_S = 1,7$ (diagram 1, $c_i = 0,8$ and $c_e = 0,77$)
- The requisite interference for the seat on the hollow shaft is $\Delta_H = 1,7 \times 13,5 = 23 \mu\text{m}$
- The appropriate tolerance class for the seat on the hollow shaft is m6 (table 14, mean probable interference, $(33 + 13) / 2 = 23 \mu\text{m}$)

Fig. 5

Seat on a hollow shaft

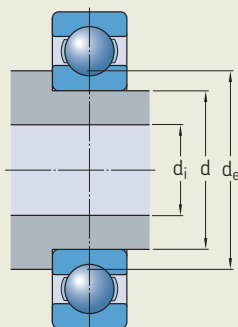
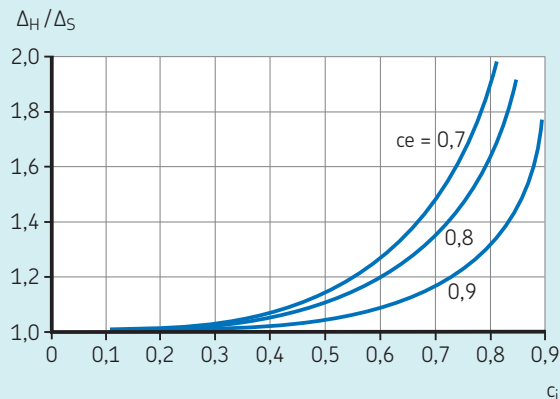


Diagram 1

Relationship of interference Δ_H , needed for a hollow steel shaft, to the known interference Δ_S for a solid steel shaft



Tolerances for tapered seats

For tapered shaft seats, SKF recommends the following tolerances (fig. 6):

- The permissible deviation for the slope of the taper is a \pm tolerance in accordance with IT7/2. The bearing width B is the nominal size, which determines the standard tolerance values. The permissible deviation for the slope of the taper can be determined using

$$\Delta_k = \frac{IT7/2}{B}$$

The permissible range of dispersion of the slope of the taper can be determined using

$$V_k = 1/k \pm \frac{IT7/2}{B}$$

where

Δ_k = the permissible deviation of the slope of the taper

V_k = the permissible range of dispersion of the slope of the taper

B = bearing width [mm]

IT7 = the value of the tolerance grade, based on the bearing width [mm]

k = factor for the taper
= 12 for taper 1:12
= 30 for taper 1:30

- The roundness tolerance is defined as "distance t between two concentric circles in each radial plane along the tapered surface of the shaft". t is the value of tolerance grade IT5/2, based on the diameter d. Where a high degree of precision is required, IT4/2 should be used instead.
- The straightness is defined as "In each axial plane through the tapered shaft, the tolerance zone is limited by two parallel lines a distance t apart". t is the value of tolerance grade IT5/2, based on the diameter d.

Taper position

Only dimensional and geometrical tolerances of the taper are indicated in fig. 6. The axial position of the taper requires additional specifications. When specifying the axial position, you should also take into account the axial drive-up distance of the bearing, which is required to achieve a suitable interference fit.

Checking tolerances

To check whether a tapered shaft seat is within its tolerances, SKF recommends measuring it with a special taper gauge, based on saddles and gauging pins. More practical, but less accurate measurement methods include ring gauges, taper gauges and sine bars. For information about SKF measuring devices, refer to skf.com (GRA 30 ring gauges and DMB taper gauges).

Surface texture of bearing seats

The surface texture of a bearing seat has less of an impact on bearing performance compared to the dimensional and geometrical tolerances of the seat. However, the texture of the mating surfaces affects smoothing, which can reduce the interference in a fit. The surface texture should be limited to ensure the required fit is obtained.

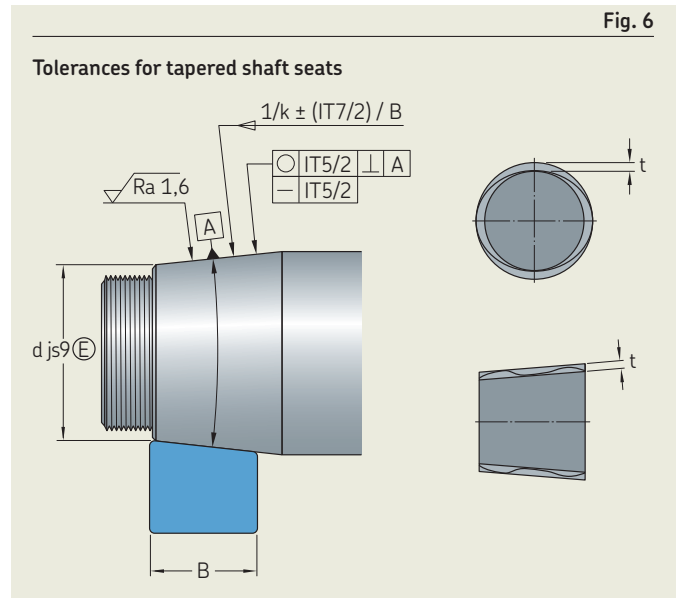
Guideline values for the roughness profile parameter Ra are listed in table 4. These recommendations apply to ground seats, which are normally assumed for shaft seats. For housing seats, which are normally fine-turned, the Ra values may be one class higher. For applications where some loss of interference is not critical, rougher surfaces than recommended in table 4 can be used.

Table 4

Surface roughness of bearing seats				
Seat diameter		Ra (guideline values for ground seats)		
d, D		Diameter tolerance grade		
>	≤	IT7	IT6	IT5
mm		μm		
–	80	1,6	0,8	0,4
80	500	1,6	1,6	0,8
500	1 250	3,2 ¹⁾	1,6	1,6

¹⁾ When using the oil injection method for mounting, Ra should not exceed 1,6 μm.

Fig. 6



Seat tolerances for standard conditions

The following tables provide recommendations for tolerances of shaft and housing seats. They are valid for standard applications but do not cover all details of a specific application. The information under *Selecting fits*, [page 140](#), and *Tolerances for bearing seats and abutments*, [page 144](#), should be additionally considered.

These recommendations are valid for bearings with Normal dimensional tolerances. They can also be used for bearings to P6 dimensional tolerances. The tighter P6 tolerance zone changes the resulting fit only slightly.

Recommended seat tolerances for metric bearings:

- For solid steel shafts:
 - Radial ball bearings ([table 5](#), except insert bearings)
 - Radial roller bearings ([table 6](#), except needle roller bearings)
 - Thrust ball bearings and spherical roller thrust bearings ([table 7](#), [page 150](#))
- For cast iron and steel housings:
 - Radial bearings ([table 8](#), [page 151](#))
 - Thrust bearings ([table 9](#), [page 152](#))

For the following bearing types, recommendations are listed in the product sections:

- Insert bearings, *Design considerations*, [page 356](#)
- Needle roller bearings, relevant sections under *Needle roller bearings*, [page 903](#)
- Cylindrical roller thrust bearings, *Design considerations*, [page 885](#)
- Needle roller thrust bearings, *Design considerations*, [page 903](#)
- Inch tapered roller bearings, *Design considerations*, [page 687](#)

All ISO tolerance classes used in the tables are valid with the envelope requirement (such as H7 \oplus), in accordance with ISO 14405-1. For practical reasons, symbol \oplus is not indicated in the tables.

Table 5

Tolerances for solid steel shafts – seats for radial ball bearings¹⁾

Conditions	Shaft diameter	Dimensional tolerance ²⁾	Total radial run-out tolerance ³⁾	Total axial run-out tolerance ³⁾	Ra
	mm	–	–	–	µm
Rotating inner ring load or direction of load indeterminate					
Light loads (P ≤ 0,05 C)	≤ 17	js5	IT4/2	IT4	0,4
	> 17 to 100	j6	IT5/2	IT5	0,8
	> 100 to 140	k6	IT5/2	IT5	1,6
Normal to heavy loads (0,05 C < P ≤ 0,1 C)	≤ 10	js5	IT4/2	IT4	0,4
	> 10 to 17	j5	IT4/2	IT4	0,4
	> 17 to 100	k5	IT4/2	IT4	0,8
	> 100 to 140	m5	IT4/2	IT4	0,8
	> 140 to 200	m6	IT5/2	IT5	1,6
	> 200 to 500	n6	IT5/2	IT5	1,6
	> 500	p7	IT6/2	IT6	3,2
Stationary inner ring load					
Easy axial displacement of inner ring on shaft desirable		g6 ⁴⁾	IT5/2	IT5	1,6
Easy axial displacement of inner ring on shaft unnecessary		h6	IT5/2	IT5	1,6
Axial loads only		j6	IT5/2	IT5	1,6

¹⁾ For insert bearings, refer to *Design considerations*, [page 356](#).

²⁾ The envelope requirement (symbol \oplus) from ISO 14405-1 is not shown but applies to all tolerance classes.

³⁾ Values listed are for bearings to Normal tolerances. For bearings with tighter tolerance classes, use the recommendations in [table 2](#), [page 144](#).

⁴⁾ Depending on bearing size, a shifted g6 \oplus tolerance may be needed to obtain a loose fit.

Bearings with a tapered bore

Bearings with a tapered bore are always mounted with an interference fit for the inner ring. The fit is determined by the distance through which the inner ring is driven up on a tapered seat or sleeve. For detailed information, refer to the information in the product sections:

- *Self-aligning ball bearings*, [page 438](#)
- *Spherical roller bearings*, [page 774](#)
- *CARB toroidal roller bearings*, [page 842](#)

For seats of bearings mounted on tapered sleeves, wider diameter tolerances are permissible. The total run-out tolerances should be the same as for bearings on cylindrical seats (*Tolerances for bearing seats and abutments*, [page 144](#)).

Suitable tolerances are listed in [table 10](#), [page 152](#). They are valid for moderate speeds and moderate precision requirements.

Table 6

Tolerances for solid steel shafts – seats for radial roller bearings¹⁾

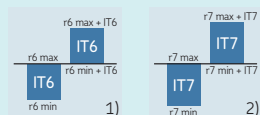
Conditions	Shaft diameter	Dimensional tolerance ²⁾	Total radial run-out tolerance ³⁾	Total axial run-out tolerance ³⁾	Ra
	mm	–	–	–	µm
Rotating inner ring load or direction of load indeterminate					
Light loads ($P \leq 0,05 C$)	≤ 25	j6	IT5/2	IT5	0,8
	> 25 to 60	k6	IT5/2	IT5	0,8
	> 60 to 140	m6	IT5/2	IT5	0,8
Normal to heavy loads ($0,05 C < P \leq 0,1 C$)	≤ 30	k6	IT5/2	IT5	0,8
	> 30 to 50	m5	IT5/2	IT5	0,8
	> 50 to 65	n5	IT5/2	IT5	0,8
	> 65 to 100	n6	IT5/2	IT5	0,8
	> 100 to 280	p6	IT5/2	IT5	1,6
	> 280 to 500	r6	IT5/2	IT5	1,6
Heavy to very heavy loads and high peak loads under difficult operating conditions ($P > 0,1 C$)	> 500	r7	IT6/2	IT6	3,2
	> 50 to 65	n5	IT5/2	IT5	0,8
	> 65 to 85	n6	IT5/2	IT5	0,8
	> 85 to 140	p6	IT5/2	IT5	0,8
	> 140 to 300	r6	IT5/2	IT5	1,6
> 300 to 500	r6 + IT6 ⁴⁾	IT5/2	IT5	1,6	
> 500	r7 + IT7 ⁴⁾	IT6/2	IT6	3,2	
Stationary inner ring load					
Easy axial displacement of inner ring on shaft desirable		g6 ⁵⁾	IT5/2	IT5	1,6
Easy axial displacement of inner ring on shaft unnecessary		h6	IT5/2	IT5	1,6
Axial loads only					
		j6	IT5/2	IT5	1,6

¹⁾ For needle roller bearings, refer to the relevant sections under *Needle roller bearings*, [page 581](#).

²⁾ The envelope requirement (symbol $\text{\textcircled{E}}$ from ISO 14405-1) is not shown but applies to all tolerance classes.

³⁾ Values listed are for bearings to Normal tolerances. For bearings with tighter tolerance classes, use the recommendations in [table 2](#), [page 144](#).

⁴⁾ Shifted tolerance field.



⁵⁾ Depending on bearing size, a shifted g6 $\text{\textcircled{E}}$ tolerance may be needed to obtain a loose fit.

Table 7

Tolerances for solid steel shafts – seats for thrust bearings¹⁾

Conditions	Shaft diameter	Dimensional tolerance ²⁾	Total radial run-out tolerance	Total axial run-out tolerance	Ra
	mm	–	–	–	µm
Axial loads only on thrust ball bearings		h6	IT5/2	IT5	1,6 ³⁾
Combined radial and axial loads on spherical roller thrust bearings					
Stationary load on shaft washer	all	j6	IT5/2	IT5	1,6 ³⁾
Rotating load on shaft washer, or direction of load indeterminate	≤ 200	k6	IT5/2	IT5	1,6 ³⁾
	> 200 to 400	m6	IT5/2	IT5	1,6
	> 400	n6	IT5/2	IT5	1,6

¹⁾ For cylindrical roller thrust bearings, refer to *Design considerations*, page 885. For needle roller thrust bearings, refer to *Design considerations*, page 903.

²⁾ The envelope requirement (symbol E) from ISO 14405-1) is not shown but applies to all tolerance classes.

³⁾ For $d \leq 80$ mm, use $Ra = 0,8 \mu\text{m}$.

Table 8

Tolerances for cast iron and steel housings – seats for radial bearings¹⁾

	Conditions	Dimensional tolerance ²⁾³⁾	Total radial run-out tolerance	Total axial run-out tolerance	Ra ⁶⁾	Displacement of outer ring
		–	–	–	µm	–
<i>For non-split housings only</i>	Rotating outer ring load					
	Heavy loads on bearings in thin-walled housings, heavy peak loads ($P > 0,1 C$)	P7	IT6/2	IT6	3,2	Cannot be displaced
	Normal to heavy loads ($P > 0,05 C$)	N7	IT6/2	IT6	3,2	Cannot be displaced
	Light and variable loads ($P \leq 0,05 C$)	M7	IT6/2	IT6	3,2	Cannot be displaced
	Direction of load indeterminate					
	Heavy peak loads	M7	IT6/2	IT6	3,2	Cannot be displaced
Normal to heavy loads ($P > 0,05 C$), axial displacement of outer ring unnecessary	K7 ⁵⁾	IT6/2	IT6	3,2	In most cases, cannot be displaced	
<i>For non-split housings and split housings</i>	Direction of load indeterminate					
	Light to normal loads ($P \leq 0,1 C$), axial displacement of outer ring desirable	J7	IT6/2	IT6	3,2	In most cases, can be displaced
	Stationary outer ring load					
	Loads of all kinds	H7 ³⁾	IT6/2	IT6	3,2	Can be displaced
	Light to normal loads ($P \leq 0,1 C$) with simple working conditions	H8 ³⁾	IT6/2	IT6	3,2	Can be displaced
	Thermal expansion of the shaft	G7 ⁴⁾	IT6/2	IT6	3,2	Can be displaced

¹⁾ For drawn cup, alignment and combined needle roller bearings, refer to *Shaft and housing tolerances*, page 610.

²⁾ The envelope requirement (symbol E) from ISO 14405-1) is not shown but applies to all tolerance classes.

³⁾ For large bearings ($D > 250$ mm), or temperature differences between the outer ring and housing > 10 °C (18 °F), tolerance class G7 E should be used instead of tolerance class H7 E .

⁴⁾ For large bearings ($D > 500$ mm), or temperature differences between the outer ring and housing > 10 °C (18 °F), tolerance class F7 E should be used instead of tolerance class G7 E .

⁵⁾ A split housing is allowed provided housing halves are well aligned during machining of the housing, with relief chamfers at the split.

⁶⁾ For $D > 500$ mm, use $Ra = 6,3$ µm.

Table 9

Tolerances for cast iron and steel housings – seats for thrust bearings¹⁾

Conditions	Dimensional tolerance ²⁾	Total axial run-out tolerance	Ra	Remarks
	–	–	µm	–
Axial loads only				
Thrust ball bearings	H8	IT7	6,3	For less precise bearing arrangements, there can be a radial clearance of up to 0,001 D.
Spherical roller thrust bearings where separate bearings provide radial location	–	IT6		Housing washer must be fitted with an adequate radial gap so that no radial load can act on the thrust bearings.
Combined radial and axial loads on spherical roller thrust bearings				
Stationary load on housing washer arrangements	H7	IT6	3,2 ³⁾	For additional information, refer to <i>Design considerations</i> , page 918.
Rotating load on housing washer	M7	IT6	3,2 ³⁾	

¹⁾ For cylindrical roller thrust bearings, refer to *Design considerations*, page 885. For needle roller thrust bearings, refer to *Design considerations*, page 903.
²⁾ The envelope requirement (symbol \oplus from ISO 14405-1) is not shown but applies to all tolerance classes.
³⁾ For D < 80 mm, use Ra = 1,6 µm.

Table 10

Tolerances for seats of bearings mounted on tapered sleeves

Shaft diameter		Diameter tolerance		Total radial run-out
d		h9 \oplus	L	IT5/2 max.
Nominal	≤	U		
>				
mm		µm		mm
10	18	0	-43	4
18	30	0	-52	5
30	50	0	-62	6
50	80	0	-74	7
80	120	0	-87	8
120	180	0	-100	9
180	250	0	-115	10
250	315	0	-130	12
315	400	0	-140	13
400	500	0	-155	14
500	630	0	-175	16
630	800	0	-200	18
800	1 000	0	-230	20
1 000	1 250	0	-260	24

Tolerances and resultant fits

The tables in this section provide information about bearing tolerances, seat tolerances and resultant fits (fig. 7). These should enable you to determine easily the maximum and minimum values of fits when using ISO tolerance classes for bearing seats and bearings with Normal tolerances for the bore and outside diameter. The *SKF Bearing Calculator* (skf.com/bearingcalculator) provides a similar function for every individual bearing.

The tables cannot be used for tapered roller bearings when $d \leq 30$ mm or $D \leq 150$ mm or for thrust bearings when $D \leq 150$ mm. The diameter tolerances for these bearings deviate from the Normal tolerances for other rolling bearings.

The tables list:

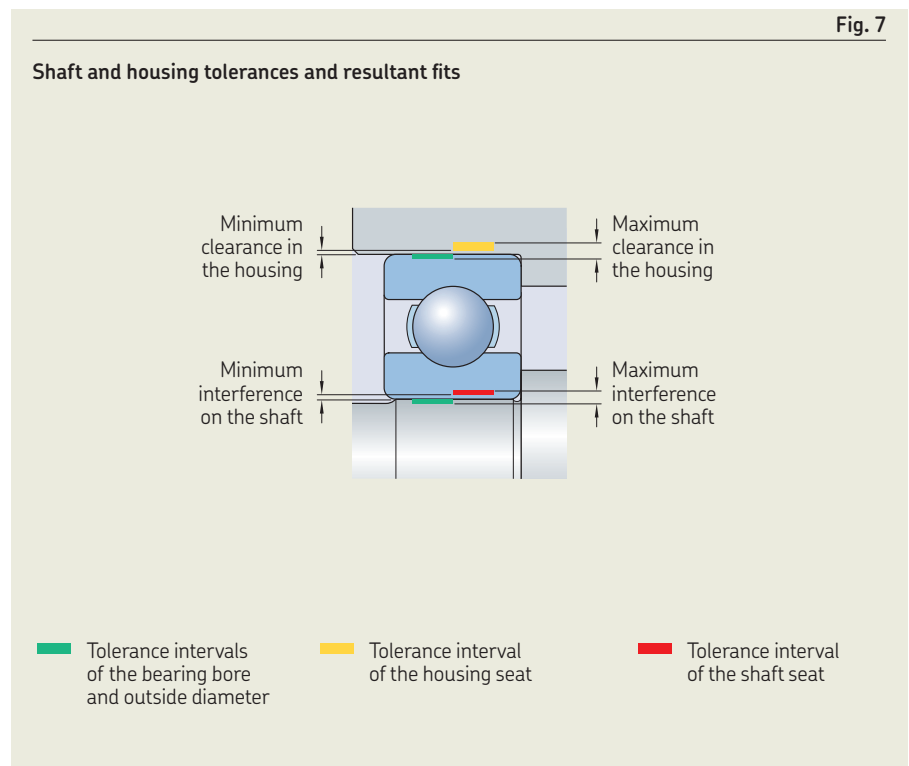
- the upper and lower limits of bore or outside diameter deviations for bearings with Normal tolerances
- the upper and lower limits of shaft or housing bore diameter deviations for relevant tolerance classes in accordance with ISO 2862
- the smallest and largest values of the theoretical interference (-) or clearance (+)
- the smallest and largest values of the $\pm 3\sigma$ probable interference (-) or clearance (+)

The appropriate values for shaft seats are listed for the following tolerance classes:

- f5, f6, g5, g6, h5 (table 11, page 154)
- h6, h8, h9, j5, j6 (table 12, page 156)
- js4, js5, js6, js7, k4 (table 13, page 158)
- k5, k6, m5, m6, n5 (table 14, page 160)
- n6, p6, p7, r6, r7 (table 15, page 162)
- r6+IT6, r7+IT7 (table 16, page 164)

The appropriate values for housing seats are listed for the following tolerance classes:

- F7, G6, G7, H5, H6 (table 17, page 166)
- H7, H8, H9, H10, J6 (table 18, page 168)
- J7, JS5, JS6, JS7, K5 (table 19, page 170)
- K6, K7, M5, M6, M7 (table 20, page 172)
- N6, N7, P6, P7 (table 21, page 174)



Shaft tolerances and resultant fits

Shaft Normal diameter d		Bearing Bore diameter tolerance $t_{\Delta dmp}$		Shaft diameter deviations, resultant fits ¹⁾																															
				Tolerance classes																															
				f5 \oplus		f6 \oplus		g5 \oplus		g6 \oplus		h5 \oplus																							
over	incl.	low	high	Deviations (shaft diameter)																															
				Theoretical interference (-)																															
				Probable interference (-)																															
mm		μm		μm																															
-	3	-8	0	-6	-10	-6	-12	-2	-6	-2	-8	0	-4	-2	+10	-2	+12	-6	+6	-6	+8	-8	-8	-4	+4	-1	+9	0	+10	-5	+5	-4	+6	-7	+3
3	6	-8	0	-10	-15	-10	-18	-4	-9	-4	-12	0	-5	+2	+15	+2	+18	-4	+9	-4	+12	-8	-8	+5	+3	+14	+4	+16	-3	+8	-2	+10	-7	+4	
6	10	-8	0	-13	-19	-13	-22	-5	-11	-5	-14	0	-6	+5	+19	+5	+22	-3	+11	-3	+14	-8	-8	+6	+7	+17	+7	+20	-1	+9	-1	+12	-6	+4	
10	18	-8	0	-16	-24	-16	-27	-6	-14	-6	-17	0	-8	+8	+24	+8	+27	-2	+14	-2	+17	-8	-8	+8	+10	+22	+10	+25	0	+12	0	+15	-6	+6	
18	30	-10	0	-20	-29	-20	-33	-7	-16	-7	-20	0	-9	+10	+29	+10	+33	-3	+16	-3	+20	-10	-10	+9	+12	+27	+13	+30	-1	+14	0	+17	-8	+7	
30	50	-12	0	-25	-36	-25	-41	-9	-20	-9	-25	0	-11	+13	+36	+13	+41	-3	+20	-3	+25	-12	-12	+11	+16	+33	+17	+37	0	+17	+1	+21	-9	+8	
50	80	-15	0	-30	-43	-30	-49	-10	-23	-10	-29	0	-13	+15	+43	+15	+49	-5	+23	-5	+29	-15	-15	+13	+19	+39	+19	+45	-1	+19	-1	+25	-11	+9	
80	120	-20	0	-36	-51	-36	-58	-12	-27	-12	-34	0	-15	+16	+51	+16	+58	-8	+27	-8	+34	-20	-20	+15	+21	+46	+22	+52	-3	+22	-2	+28	-15	+10	
120	180	-25	0	-43	-61	-43	-68	-14	-32	-14	-39	0	-18	+18	+61	+18	+68	-11	+32	-11	+39	-25	-25	+18	+24	+55	+25	+61	-5	+26	-4	+32	-19	+12	
180	250	-30	0	-50	-70	-50	-79	-15	-35	-15	-44	0	-20	+20	+70	+20	+79	-15	+35	-15	+44	-30	-30	+20	+26	+64	+28	+71	-9	+29	-7	+36	-24	+14	
250	315	-35	0	-56	-79	-56	-88	-17	-40	-17	-49	0	-23	+21	+79	+21	+88	-18	+40	-18	+49	-35	-35	+23	+29	+71	+30	+79	-10	+32	-9	+40	-27	+15	
315	400	-45	0	-62	-87	-62	-98	-18	-43	-18	-54	0	-25	+22	+87	+22	+98	-22	+43	-22	+54	-40	-40	+25	+30	+79	+33	+87	-14	+35	-11	+43	-32	+17	
400	500	-45	0	-68	-95	-68	-108	-20	-47	-20	-60	0	-27	+23	+95	+23	+108	-25	+47	-25	+60	-45	-45	+27	+32	+86	+35	+96	-16	+38	-13	+48	-36	+18	
500	630	-50	0	-76	-104	-76	-120	-22	-50	-22	-66	0	-28	+26	+104	+26	+120	-28	+50	-28	+66	-50	-50	+28	+36	+94	+39	+107	-18	+40	-15	+53	-40	+18	

Table 11

Shaft tolerances and resultant fits

Shaft Nominal diameter d		Bearing Bore diameter tolerance $t_{\Delta dmp}$		Shaft diameter deviations, resultant fits ¹⁾ Tolerance classes									
				f5 \oplus		f6 \oplus		g5 \oplus		g6 \oplus		h5 \oplus	
over	incl.	low	high	Deviations (shaft diameter)									
				Theoretical interference (-)									
				Probable interference (-)									
mm		μm		μm									
630	800	-75	0	-80	-112	-80	-130	-24	-56	-24	-74	0	-32
				+5	+112	+5	+130	-51	+56	-51	+74	-75	+32
				+17	+100	+22	+113	-39	+44	-34	+57	-63	+20
800	1 000	-100	0	-86	-122	-86	-142	-26	-62	-26	-82	0	-36
				-14	+122	-14	+142	-74	+62	-74	+82	-100	+36
				0	+108	+6	+122	-60	+48	-54	+62	-86	+22
1 000	1 250	-125	0	-98	-140	-98	-164	-28	-70	-28	-94	0	-42
				-27	+140	-27	+164	-97	+70	-97	+94	-125	+42
				-10	+123	-3	+140	-80	+53	-73	+70	-108	+25
1 250	1 600	-160	0	-110	-160	-110	-188	-30	-80	-30	-108	0	-50
				-50	+160	-50	+188	-130	+80	-130	+108	-160	+50
				-29	+139	-20	+158	-109	+59	-100	+78	-139	+29
1 600	2 000	-200	0	-120	-180	-120	-212	-32	-92	-32	-124	0	-60
				-80	+180	-80	+212	-168	+92	-168	+124	-200	+60
				-55	+155	-45	+177	-143	+67	-133	+89	-175	+35

¹⁾ Values are valid for most bearings with Normal tolerances. For exceptions, refer to *Tolerances and resultant fits*, page 153.


Shaft tolerances and resultant fits



Shaft Normal diameter d		Bearing Bore diameter tolerance $t_{\Delta dmp}$		Shaft diameter deviations, resultant fits ¹⁾																													
				Tolerance classes																													
				h6 \oplus		h8 \oplus		h9 \oplus		j5 \oplus		j6 \oplus																					
				Deviations (shaft diameter)																													
				Theoretical interference (-)/clearance (+)																													
				Probable interference (-)/clearance (+)																													
>	≤	L	U																														
mm		μm		μm																													
-	3	-8	0	0	-6	0	-14	0	-25	+2	-2	+4	-2	-8	+6	-8	+14	-8	+25	-10	+2	-12	+2	-6	+4	-6	+12	-5	+22	-9	+1	-10	0
3	6	-8	0	0	-8	0	-18	0	-30	+3	-2	+6	-2	-8	+8	-8	+18	-8	+30	-11	+2	-14	+2	-6	+6	-5	+15	-5	+27	-10	+1	-12	0
6	10	-8	0	0	-9	0	-22	0	-36	+4	-2	+7	-2	-8	+9	-8	+22	-8	+36	-12	+2	-15	+2	-6	+7	-5	+19	-5	+33	-10	0	-13	0
10	18	-8	0	0	-11	0	-27	0	-43	+5	-3	+8	-3	-8	+11	-8	+27	-8	+43	-13	+3	-16	+3	-6	+9	-5	+24	-5	+40	-11	+1	-14	+1
18	30	-10	0	0	-13	0	-33	0	-52	+5	-4	+9	-4	-10	+13	-10	+33	-10	+52	-15	+4	-19	+4	-7	+10	-6	+29	-6	+48	-13	+2	-16	+1
30	50	-12	0	0	-16	0	-39	0	-62	+6	-5	+11	-5	-12	+16	-12	+39	-12	+62	-18	+5	-23	+5	-8	+12	-7	+34	-7	+57	-15	+2	-19	+1
50	80	-15	0	0	-19	0	-46	0	-74	+6	-7	+12	-7	-15	+19	-15	+46	-15	+74	-21	+7	-27	+7	-11	+15	-9	+40	-9	+68	-17	+3	-23	+3
80	120	-20	0	0	-22	0	-54	0	-87	+6	-9	+13	-9	-20	+22	-20	+54	-20	+87	-26	+9	-33	+9	-14	+16	-12	+46	-12	+79	-21	+4	-27	+3
120	180	-25	0	0	-25	0	-63	0	-100	+7	-11	+14	-11	-25	+25	-25	+63	-25	+100	-32	+11	-39	+11	-18	+18	-15	+53	-15	+90	-26	+5	-32	+4
180	250	-30	0	0	-29	0	-72	0	-115	+7	-13	+16	-13	-30	+29	-30	+72	-30	+115	-37	+13	-46	+13	-22	+21	-18	+60	-17	+102	-31	+7	-38	+5
250	315	-35	0	0	-32	0	-81	0	-130	+7	-16	+16	-16	-35	+32	-35	+81	-35	+130	-42	+16	-51	+16	-26	+23	-22	+68	-20	+115	-34	+8	-42	+7
315	400	-40	0	0	-36	0	-89	0	-140	+7	-18	+18	-18	-40	+36	-40	+89	-40	+140	-47	+18	-58	+18	-29	+25	-25	+74	-23	+123	-39	+10	-47	+7
400	500	-45	0	0	-40	0	-97	0	-155	+7	-20	+20	-20	-45	+40	-45	+97	-45	+155	-52	+20	-65	+20	-33	+28	-28	+80	-26	+136	-43	+11	-53	+8

Table 12

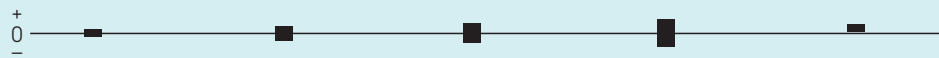
Shaft tolerances and resultant fits



Shaft Normal diameter d	Bearing Bore diameter tolerance t_{Admp}		Shaft diameter deviations, resultant fits ¹⁾										
			Tolerance classes										
			h6 \oplus	h8 \oplus	h9 \oplus	j5 \oplus			j6 \oplus				
>	≤	L	U	Deviations (shaft diameter)									
				Theoretical interference (-)/clearance (+)									
				Probable interference (-)/clearance (+)									
mm		μm		μm									
500	630	-50	0	0	-44	0	-110	0	-175	-	-	-22	-22
				-50	+44	-50	+110	-50	+175	-	-	-72	+22
				-37	+31	-31	+91	-29	+154	-	-	-59	+9
630	800	-75	0	0	-50	0	-125	0	-200	-	-	+25	-25
				-75	+50	-75	+125	-75	+200	-	-	-100	+25
				-58	+33	-48	+98	-45	+170	-	-	-83	+8
800	1 000	-100	0	0	-56	0	-140	0	-230	-	-	+28	-28
				-100	+56	-100	+140	-100	+230	-	-	-128	+28
				-80	+36	-67	+107	-61	+191	-	-	-108	+8
1 000	1 250	-125	0	0	-66	0	-165	0	-260	-	-	+33	-33
				-125	+66	-125	+165	-125	+260	-	-	-158	+33
				-101	+42	-84	+124	-77	+212	-	-	-134	+9
1 250	1 600	-160	0	0	-78	0	-195	0	-310	-	-	+39	-39
				-160	+78	-160	+195	-160	+310	-	-	-199	+39
				-130	+48	-109	+144	-100	+250	-	-	-169	+9
1 600	2 000	-200	0	0	-92	0	-230	0	-370	-	-	+46	-46
				-200	+92	-200	+230	-200	+370	-	-	-246	+46
				-165	+57	-138	+168	-126	+296	-	-	-211	+11

¹⁾ Values are valid for most bearings with Normal tolerances. For exceptions, refer to *Tolerances and resultant fits*, page 153.

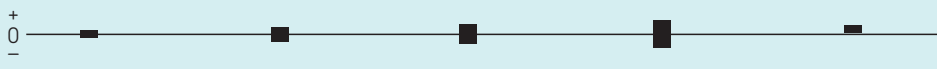
Shaft tolerances and resultant fits



Shaft		Bearing		Shaft diameter deviations, resultant fits ¹⁾																															
Nominal diameter		Bore diameter tolerance		Tolerance classes																															
d		$t_{\Delta dmp}$		js4 \oplus	js5 \oplus		js6 \oplus		js7 \oplus		k4 \oplus																								
over	incl.	low	high	Deviations (shaft diameter)																															
				Theoretical interference (-)/clearance (+)																															
				Probable interference (-)/clearance (+)																															
mm		μm		μm																															
-	3	-8	0	+1,5	-1,5	+2	-2	+3	-3	+5	-5	+3	0	-9,5	+1,5	-10	+2	-11	+3	-13	+5	-11	0	-8,5	+0,5	-9	+1	-9	+1	-11	+3	-10	+3	-10	-1
3	6	-8	0	+2	-2	+2,5	-2,5	+4	-4	+6	-6	+5	+1	-10	+2	-10,5	+2,5	-12	+4	-14	+6	-13	-1	-9	+1	-9	+1	-10	+2	-12	+4	-12	+4	-12	-2
6	10	-8	0	+2	-2	+3	-3	+4,5	-4,5	+7,5	-7,5	+5	+1	-10	+2	-11	+3	+12,5	-4,5	+15,5	-7,5	+13	-1	-9	+1	-9	+1	-11	+3	-13	+5	-12	+5	-12	-2
10	18	-8	0	+2,5	-2,5	+4	-4	+5,5	-5,5	+9	-9	+6	+1	-10,5	+2,5	-12	+4	-13,5	+5,5	-17	+9	-14	-1	-9,5	+1,5	-10	+2	-11	+3	-14	+6	-13	+6	-13	-2
18	30	-10	0	+3	-3	+4,5	-4,5	+6,5	-6,5	+10,5	-10,5	+8	+2	-13	+3	-14,5	+4,5	-16,5	+6,5	-20,5	+10,5	-18	-2	-10,5	+1,5	-12	+2	-14	+4	-17	+7	-16	+8	-16	-4
30	50	-12	0	+3,5	-3,5	+5,5	-5,5	+8	-8	+12,5	-12,5	+9	+2	-15,5	+3,5	-17,5	+5,5	-20	+8	-24,5	+12,5	-21	-2	-13,5	+1,5	-15	+3	-16	+4	-20	+8	-19	+9	-19	-4
50	80	-15	0	+4	-4	+6,5	-6,5	+9,5	-9,5	+15	-15	+10	+2	-19	+4	-21,5	+6,5	-24,5	+9,5	-30	+15	-25	-2	-15,5	+1,5	-18	+3	-20	+5	-25	+10	-22	+10	-22	-5
80	120	-20	0	+5	-5	+7,5	-7,5	+11	-11	+17,5	-17,5	+13	+3	-25	+5	-27,5	+7,5	-31	+11	-37,5	+17,5	-33	-3	-22	+2	-23	+3	-25	+5	-31	+11	-30	+13	-30	-6
120	180	-25	0	+6	-6	+9	-9	+12,5	-12,5	+20	-20	+15	+3	-31	+6	-34	+9	-37,5	+12,5	-45	+20	-40	-3	-27	+2	-28	+3	-31	+6	-37	+12	-36	+15	-36	-7
180	250	-30	0	+7	-7	+10	-10	+14,5	-14,5	+23	-23	+18	+4	-37	+7	-40	+10	-44,5	+14,5	-53	+23	-48	-4	-32	+2	-34	+4	-36	+6	-43	+13	-43	+18	-43	-9
250	315	-35	0	+8	-8	+11,5	-11,5	+16	-16	+26	-26	+20	+4	-4	+8	-46,5	+11,5	-51	+16	-61	+26	-55	-4	-37	+2	-39	+4	-42	+7	-49	+14	-49	+20	-49	-10
315	400	-40	0	+9	-9	+12,5	-12,5	+18	-18	+28,5	-28,5	+22	+4	-49	+9	-52,5	+12,5	-58	+18	-68,5	+28,5	-62	-4	-42	+2	-44	+4	-47	+7	-55	+15	-55	+22	-55	-11
400	500	-45	0	+10	-10	+13,5	-13,5	+20	-20	+31,5	-31,5	+25	+5	-55	+10	-58,5	+13,5	-65	+20	-76,5	+31,5	-70	-5	-48	+3	-49	+4	-53	+8	-62	+17	-63	+25	-63	-12
500	630	-50	0	-	-	+14	-14	+22	-22	+35	-35	-	-	-	-	-64	+14	-72	+22	-85	+35	-	-	-	-	-54	+4	-59	+9	-69	+19	-	-	-	-

Table 13

Shaft tolerances and resultant fits



Shaft Nominal diameter d		Bearing Bore diameter tolerance $t_{\Delta dmp}$		Shaft diameter deviations, resultant fits ¹⁾ Tolerance classes									
over	incl.	low	high	js4 $\text{\textcircled{E}}$	js5 $\text{\textcircled{E}}$	js6 $\text{\textcircled{E}}$	js7 $\text{\textcircled{E}}$	k4 $\text{\textcircled{E}}$					
				Deviations (shaft diameter)									
				Theoretical interference (-)/clearance (+)									
				Probable interference (-)/clearance (+)									
mm		μm		μm									
630	800	-75	0	-	-	+16	-16	+25	-25	+40	-40	-	-
				-	-	-91	+16	-100	+25	-115	+40	-	-
				-	-	-79	+4	-83	+8	-93	+18	-	-
800	1 000	-100	0	-	-	+18	-18	+28	-28	+45	-45	-	-
				-	-	-118	+18	-128	+28	-145	+45	-	-
				-	-	-104	+4	-108	+8	-118	+18	-	-
1 000	1 250	-125	0	-	-	+21	-21	+33	-33	+52	-52	-	-
				-	-	-146	+21	-158	+33	-177	+52	-	-
				-	-	-129	+4	-134	+9	-145	+20	-	-
1 250	1 600	-160	0	-	-	+25	-25	+39	-39	+62	-62	-	-
				-	-	-185	+25	-199	+39	-222	+62	-	-
				-	-	-164	+4	-169	+9	-182	+22	-	-
1 600	2 000	-200	0	-	-	+30	-30	+46	-46	+75	-75	-	-
				-	-	-230	+30	-246	+46	-275	+75	-	-
				-	-	-205	+5	-211	+11	-225	+25	-	-

¹⁾ Values are valid for most bearings with Normal tolerances. For exceptions, refer to *Tolerances and resultant fits*, page 153.


Shaft tolerances and resultant fits



Shaft Nominal diameter d		Bearing Bore diameter tolerance $t_{\Delta dmp}$		Shaft diameter deviations, resultant fits ¹⁾ Tolerance classes																																	
				k5 $\text{\textcircled{E}}$		k6 $\text{\textcircled{E}}$		m5 $\text{\textcircled{E}}$		m6 $\text{\textcircled{E}}$		n5 $\text{\textcircled{E}}$																									
>	≤	L	U	Deviations (shaft diameter)																																	
				Theoretical interference (-)																																	
				Probable interference (-)																																	
mm		μm		μm																																	
-	3	-8	0	+4	0	+6	0	+6	+2	+8	+2	+8	+4	-12	0	-14	0	-14	-2	-16	-2	-16	-4	-11	-1	-12	-2	-13	-3	-14	-4	-15	-5				
				3	6	-8	0	+6	+1	+9	+1	+9	+4	+12	+4	+13	+8	-14	-1	-17	-1	-17	-4	-20	-4	-21	-8	-13	-2	-15	-3	-16	-5	-18	-6	-20	-9
								6	10	-8	0	+7	+1	+10	+1	+12	+6	+15	+6	+16	+10	-15	-1	-18	-1	-20	-6	-23	-6	-24	-10	-13	-3	-16	-3	-18	-8
10	18	-8	0									+9	+1	+12	+1	15	+7	+18	+7	+20	+12	-17	-1	-20	-1	-23	-7	-26	-7	-28	-12	-15	-3	-18	-3	-21	-9
				18	30	-10	0					+11	+2	+15	+2	+17	+8	+21	+8	+24	+15	-21	-2	-25	-2	-27	-8	-31	-8	-34	-15	-19	-4	-22	-5	-25	-10
								30	50	-12	0	+13	+2	+18	+2	+20	+9	+25	+9	+28	+17	-25	-2	-30	-2	-32	-9	-37	-9	-40	-17	-22	-5	-26	-6	-29	-12
50	80	-15	0									+15	+2	+21	+2	+24	+11	+30	+11	+33	+20	-30	-2	-36	-2	-39	-11	-45	-11	-48	-20	-26	-6	-32	-6	-35	-15
				80	120	-20	0					+18	+3	+25	+3	+28	+13	+35	+13	+38	+23	-38	-3	-45	-3	-48	-13	-55	-13	-58	-23	-33	-8	-39	-9	-43	-18
								120	180	-25	0	+21	+3	+28	+3	+33	+15	+40	+15	+45	+27	-46	-3	-53	-3	-58	-15	-65	-15	-70	-27	-40	-9	-46	-10	-52	-21
180	250	-30	0									+24	+4	+33	+4	+37	+17	+46	+17	+51	+31	-54	-4	-63	-4	-67	-17	-76	-17	-81	-31	-48	-10	-55	-12	-61	-23
				250	315	-35	0					+27	+4	+36	+4	+43	+20	+52	+20	+57	+34	-62	-4	-71	-4	-78	-20	-87	-20	-92	-34	-54	-12	-62	-13	-70	-28
								315	400	-40	0	+29	+4	+40	+4	+46	+21	+57	+21	+62	+37	-69	-4	-80	-4	-86	-21	-97	-21	-102	-37	-61	-12	-69	-15	-78	-29
400	500	-45	0									+32	+5	+45	+5	+50	+23	+63	+23	+67	+40	-77	-5	-90	-5	-95	-23	-108	-23	-112	-40	-68	-14	-78	-17	-86	-32

Table 14

Shaft tolerances and resultant fits



Shaft Nominal diameter d		Bearing Bore diameter tolerance $t_{\Delta dmp}$		Shaft diameter deviations, resultant fits ¹⁾ Tolerance classes									
				k5 \oplus		k6 \oplus		m5 \oplus		m6 \oplus		n5 \oplus	
>	≤	L	U	Deviations (shaft diameter)									
				Theoretical interference (-)									
				Probable interference (-)									
mm		μm		μm									
500	630	-50	0	+29	0	+44	0	+55	+26	+70	+26	+73	+44
				-78	0	-94	0	-105	-26	-120	-26	-122	-44
630	800	-75	0	-68	-10	-81	-13	-94	-36	-107	-39	-112	-54
				+32	0	+50	0	+62	+30	+80	+30	+82	+50
800	1 000	-100	0	-107	0	-125	0	-137	-30	-155	-30	-157	-50
				-95	-12	-108	-17	-125	-42	-138	-47	-145	-62
800	1 000	-100	0	+36	0	+56	0	+70	+34	+90	+34	+92	+56
				-136	0	-156	0	-170	-34	-190	-34	-192	-56
1 000	1 250	-125	0	-122	-14	-136	-20	-156	-48	-170	-54	-178	-70
				+42	0	+66	0	+82	+40	+106	+40	+108	+66
1 000	1 250	-125	0	-167	0	-191	0	-207	-40	-231	-40	-233	-66
				-150	-17	-167	-24	-190	-57	-207	-64	-216	-83
1 250	1 600	-160	0	+50	0	+78	0	+98	+48	+126	+48	+128	+78
				-210	0	-238	0	-258	-48	-286	-48	-288	-78
1 250	1 600	-160	0	-189	-21	-208	-30	-237	-69	-256	-78	-267	-99
				+60	0	+92	0	+118	+58	+150	+58	+152	+92
1 600	2 000	-200	0	-260	0	-292	0	-318	-58	-350	-58	-352	-92
				-235	-25	-257	-35	-293	-83	-315	-93	-327	-117


¹⁾ Values are valid for most bearings with Normal tolerances. For exceptions, refer to *Tolerances and resultant fits*, page 153.

Shaft tolerances and resultant fits

Shaft		Bearing		Shaft diameter deviations, resultant fits ¹⁾											
Nominal diameter		Bore diameter tolerance		Tolerance classes											
d		t _{Δdmp}		n6 [Ⓔ]	p6 [Ⓔ]		p7 [Ⓔ]		r6 [Ⓔ]		r7 [Ⓔ]				
over	incl.	low	high	Deviations (shaft diameter)											
				Theoretical interference (-)											
				Probable interference (-)											
mm		μm		μm											
50	80	-15	0	+39	+20	+51	+32	+62	+32	-	-	-	-		
				-54	-20	-66	-32	-77	-32	-	-	-	-		
				-50	-24	-62	-36	-72	-38	-	-	-	-		
80	100	-20	0	+45	+23	+59	+37	+72	+37	+73	+51	+86	+51		
				-65	-23	-79	-37	-92	-37	-93	-51	-106	-51		
				-59	-29	-73	-43	-85	-44	-87	-57	-99	-58		
100	120	-20	0	+45	+23	+59	+37	+72	+37	+76	+54	+89	+54		
				-65	-23	-79	-37	-92	-37	-96	-54	-109	-54		
				-59	-29	-73	-43	-85	-44	-90	-60	-102	-61		
120	140	-25	0	+52	+27	+68	+43	+83	+43	+88	+63	+103	+63		
				-77	-27	-93	-43	-108	-43	-113	-63	-128	-63		
				-70	-34	-86	-50	-100	-51	-106	-70	-120	-71		
140	160	-25	0	+52	+27	+68	+43	+83	+43	+90	+65	+105	+65		
				-77	-27	-93	-43	-108	-43	-115	-65	-130	-65		
				-70	-34	-86	-50	-100	-51	-108	-72	-122	-73		
160	180	-25	0	+52	+27	+68	+43	+83	+43	+93	+68	+108	+68		
				-77	-27	-93	-43	-108	-43	-118	-68	-133	-68		
				-70	-34	-86	-50	-100	-51	-111	-75	-125	-76		
180	200	-30	0	+60	+31	+79	+50	+96	+50	+106	+77	+123	+77		
				-90	-31	-109	-50	-126	-50	-136	-77	-153	-77		
				-82	-39	-101	-58	-116	-60	-128	-85	-143	-87		
200	225	-30	0	+60	+31	+79	+50	+96	+50	+109	+80	+126	+80		
				-90	-31	-109	-50	-126	-50	-139	-80	-156	-80		
				-82	-39	-101	-58	-116	-60	-131	-88	-146	-90		
225	250	-30	0	+60	+31	+79	+50	+96	+50	+113	+84	+130	+84		
				-90	-31	-109	-50	-126	-50	-143	-84	-160	-84		
				-82	-39	-101	-58	-116	-60	-135	-92	-150	-94		
250	280	-35	0	+66	+34	+88	+56	+108	+56	+126	+94	+146	+94		
				-101	-34	-123	-56	-143	-56	-161	-94	-181	-94		
				-92	-43	-114	-65	-131	-68	-152	-103	-169	-106		
280	315	-35	0	+66	+34	+88	+56	+108	+56	+130	+98	+150	+98		
				-101	-34	-123	-56	-143	-56	-165	-98	-185	-98		
				-92	-43	-114	-65	-131	-68	-156	-107	-173	-110		
315	355	-40	0	+73	+37	+98	+62	+119	+62	+144	+108	+165	+108		
				-113	-37	-138	-62	-159	-62	-184	-108	-205	-108		
				-102	-48	-127	-73	-146	-75	-173	-119	-192	-121		
355	400	-40	0	+73	+37	+98	+62	+119	+62	+150	+114	+171	+114		
				-113	-37	-138	-62	-159	-62	-190	-114	-211	-114		
				-102	-48	-127	-73	-146	-75	-179	-125	-198	-127		
400	450	-45	0	+80	+40	+108	+68	+131	+68	+166	+126	+189	+126		
				-125	-40	-153	-68	-176	-68	-211	-126	-234	-126		
				-113	-52	-141	-80	-161	-83	-199	-138	-219	-141		

Table 15

Shaft tolerances and resultant fits



Shaft		Bearing		Shaft diameter deviations, resultant fits ¹⁾									
Nominal diameter		Bore diameter tolerance		Tolerance classes									
d		t _{Δdmp}		n6(ES)		p6(ES)		p7(ES)		r6(ES)		r7(ES)	
over	incl.	low	high	Deviations (shaft diameter)									
				Theoretical interference (-)									
				Probable interference (-)									
mm		µm		µm									
450	500	-45	0	+80	+40	+108	+68	+131	+68	+172	+132	+195	+132
				-125	-40	-153	-68	-176	-68	-217	-132	-240	-132
				-113	-52	-141	-80	-161	-83	-205	-144	-225	-147
500	560	-50	0	+88	+44	+122	+78	+148	+78	+194	+150	+220	+150
				-138	-44	-172	-78	-198	-78	-244	-150	-270	-150
				-125	-57	-159	-91	-182	-94	-231	-163	-254	-166
560	630	-50	0	+88	+44	+122	+78	+148	+78	+199	+155	+225	+155
				-138	-44	-172	-78	-198	-78	-249	-155	-275	-155
				-125	-57	-159	-91	-182	-94	-236	-168	-259	-171
630	710	-75	0	+100	+50	+138	+88	+168	+88	+225	+175	+255	+175
				-175	-50	-213	-88	-243	-88	-300	-175	-330	-175
				-158	-67	-196	-105	-221	-110	-283	-192	-308	-197
710	800	-75	0	+100	+50	+138	+88	+168	+88	+235	+185	+265	+185
				-175	-50	-213	-88	-243	-88	-310	-185	-340	-185
				-158	-67	-196	-105	-221	-110	-293	-202	-318	-207
800	900	-100	0	+112	+56	+156	+100	+190	+100	+266	+210	+300	+210
				-212	-56	-256	-100	-290	-100	-366	-210	-400	-210
				-192	-76	-236	-120	-263	-127	-346	-230	-373	-237
900	1 000	-100	0	+112	+56	+156	+100	+190	+100	+276	+220	+310	+220
				-212	-56	-256	-100	-290	-100	-376	-220	-410	-220
				-192	-76	-236	-120	-263	-127	-356	-240	-383	-247
1 000	1 120	-125	0	+132	+66	+186	+120	+225	+120	+316	+250	+355	+250
				-257	-66	-311	-120	-350	-120	-441	-250	-480	-250
				-233	-90	-287	-144	-317	-153	-417	-274	-447	-283
1 120	1 250	-125	0	+132	+66	+186	+120	+225	+120	+326	+260	+365	+260
				-257	-66	-311	-120	-350	-120	-451	-260	-490	-260
				-233	-90	-287	-144	-317	-153	-427	-284	-457	-293
1 250	1 400	-160	0	+156	+78	+218	+140	+265	+140	+378	+300	+425	+300
				-316	-78	-378	-140	-425	-140	-538	-300	-585	-300
				-286	-108	-348	-170	-385	-180	-508	-330	-545	-340
1 400	1 600	-160	0	+156	+78	+218	+140	+265	+140	+408	+330	+455	+330
				-316	-78	-378	-140	-425	-140	-568	-330	-615	-330
				-286	-108	-348	-170	-385	-180	-538	-360	-575	-370
1 600	1 800	-200	0	+184	+92	+262	+170	+320	+170	+462	+370	+520	+370
				-384	-92	-462	-170	-520	-170	-662	-370	-720	-370
				-349	-127	-427	-205	-470	-220	-627	-405	-670	-420
1 800	2 000	-200	0	+184	+92	+262	+170	+320	+170	+492	+400	+550	+400
				-384	-92	-462	-170	-520	-170	-692	-400	-750	-400
				-349	-127	-427	-205	-470	-220	-657	-435	-700	-450

¹⁾ Values are valid for most bearings with Normal tolerances. For exceptions, refer to *Tolerances and resultant fits*, page 153.

Shaft tolerances and resultant fits

Shaft Nominal diameter d		Bearing Bore diameter tolerance $t_{\Delta dmp}$		Shaft diameter deviations, resultant fits ¹⁾ Tolerance classes			
over	incl.	low	high	r6+IT6		r7+IT7	
				Deviations (shaft diameter)			
				Theoretical interference (-)			
				Probable interference (-)			
mm		µm		µm			
315	355	-40	0	+180	+144	+222	+165
				-220	-144	-262	-165
				-209	-155	-248	-179
355	400	-40	0	+186	+150	+228	+171
				-226	-150	-268	-171
				-215	-161	-254	-185
400	450	-45	0	+206	+166	+252	+189
				-251	-166	-297	-189
				-239	-178	-282	-204
450	500	-45	0	+212	+172	+258	+195
				-257	-172	-303	-195
				-245	-184	-288	-210
500	560	-50	0	+238	+194	+290	+220
				-288	-194	-340	-220
				-274	-208	-323	-237
560	630	-50	0	+243	+199	+295	+225
				-293	-199	-345	-225
				-279	-213	-328	-242
630	710	-75	0	+275	+225	+335	+255
				-350	-225	-410	-255
				-333	-242	-387	-278
710	800	-75	0	+285	+235	+345	+265
				-360	-235	-420	-265
				-343	-252	-397	-288
800	900	-100	0	+322	+266	+390	+300
				-422	-266	-490	-300
				-401	-287	-462	-328
900	1 000	-100	0	+332	+276	+400	+310
				-432	-276	-500	-310
				-411	-297	-472	-338
1 000	1 120	-125	0	+382	+316	+460	+355
				-507	-316	-585	-355
				-482	-341	-552	-388
1 120	1 250	-125	0	+392	+326	+470	+365
				-517	-326	-595	-365
				-492	-351	-562	-398

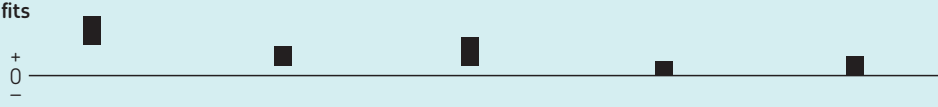
Table 16

Shaft tolerances and resultant fits

Shaft Nominal diameter d		Bearing Bore diameter tolerance $t_{\Delta dmp}$		Shaft diameter deviations, resultant fits ¹⁾ Tolerance classes			
over	incl.	low	high	r6+IT6 r7+IT7			
				Deviations (shaft diameter)			
				Theoretical interference (-)			
				Probable interference (-)			
mm		μm		μm			
1 250	1 400	-160	0	+456	+378	+550	+425
				-616	-378	-710	-425
				-586	-408	-669	-466
1 400	1 600	-160	0	+486	+408	+580	+455
				-646	-408	-740	-455
				-616	-438	-699	-496
1 600	1 800	-200	0	+554	+462	+670	+520
				-754	-462	-870	-520
				-718	-498	-820	-570
1 800	2 000	-200	0	+584	+492	+700	+550
				-784	-492	-900	-550
				-748	-528	-850	-600

¹⁾ Values are valid for most bearings with Normal tolerances. For exceptions, refer to *Tolerances and resultant fits*, page 153.


Housing tolerances and resultant fits



Housing Nominal bore diameter D		Bearing Outside diameter tolerance $t_{\Delta Dmp}$		Housing bore diameter deviations, resultant fits ¹⁾ Tolerance classes									
				F7 [Ⓔ]		G6 [Ⓔ]		G7 [Ⓔ]		H5 [Ⓔ]		H6 [Ⓔ]	
over	incl.	low	high	Deviations (housing bore diameter)									
				Theoretical clearance (+)									
				Probable clearance (+)									
mm		μm		μm									
6	10	0	-8	+13	+28	+5	+14	+5	+20	0	+6	0	+9
				+13	+36	+5	+22	+5	+28	0	+14	0	+17
				+16	+33	+7	+20	+8	+25	+2	+12	+2	+15
10	18	0	-8	+16	+34	+6	+17	+6	+24	0	+8	0	+11
				+16	+42	+6	+25	+6	+32	0	+16	0	+19
				+19	+39	+8	+23	+9	+29	+2	+14	+2	+17
18	30	0	-9	+20	+41	+7	+20	+7	+28	0	+9	+0	+13
				+20	+50	+7	+29	+7	+37	0	+18	0	+22
				+23	+47	+10	+26	+10	+34	+2	+16	+3	+19
30	50	0	-11	+25	+50	+9	+25	+9	+34	0	+11	0	+16
				+25	+61	+9	+36	+9	+45	0	+22	0	+27
				+29	+57	+12	+33	+13	+41	+3	+19	+3	+24
50	80	0	-13	+30	+60	+10	+29	+10	+40	0	+13	0	+19
				+30	+73	+10	+42	+10	+53	0	+26	0	+32
				+35	+68	+14	+38	+15	+48	+3	+23	+4	+28
80	120	0	-15	+36	+71	+12	+34	+12	+47	0	+15	0	+22
				+36	+86	+12	+49	+12	+62	0	+30	0	+37
				+41	+81	+17	+44	+17	+57	+4	+26	+5	+32
120	150	0	-18	+43	+83	+14	+39	+14	+54	0	+18	0	+25
				+43	+101	+14	+57	+14	+72	0	+36	0	+43
				+50	+94	+20	+51	+21	+65	+5	+31	+6	+37
150	180	0	-25	+43	+83	+14	+39	+14	+54	0	+18	0	+25
				+43	+108	+14	+64	+14	+79	0	+43	0	+50
				+51	+100	+21	+57	+22	+71	+6	+37	+7	+43
180	250	0	-30	+50	+96	+15	+44	+15	+61	0	+20	0	+29
				+50	+126	+15	+74	+15	+91	0	+50	0	+59
				+60	+116	+23	+66	+25	+81	+6	+44	+8	+51
250	315	0	-35	+56	+108	+17	+49	+17	+69	0	+23	0	+32
				+56	+143	+17	+84	+17	+104	0	+58	0	+67
				+68	+131	+26	+75	+29	+92	+8	+50	+9	+58
315	400	0	-40	+62	+119	+18	+54	+18	+75	0	+25	0	+36
				+62	+159	+18	+94	+18	+115	0	+65	0	+76
				+75	+146	+29	+83	+31	+102	+8	+57	+11	+65
400	500	0	-45	+68	+131	+20	+60	+20	+83	0	+27	0	+40
				+68	+176	+20	+105	+20	+128	0	+72	0	+85
				+83	+161	+32	+93	+35	+113	+9	+63	+12	+73
500	630	0	-50	+76	+146	+22	+66	+22	+92	0	+28	0	+44
				+76	+196	+22	+116	+22	+142	0	+78	0	+94
				+92	+180	+35	+103	+38	+126	+10	+68	+13	+81
630	800	0	-75	+80	+160	+24	+74	+24	+104	0	+32	0	+50
				+80	+235	+24	+149	+24	+179	0	+107	0	+125
				+102	+213	+41	+132	+46	+157	+12	+95	+17	+108

Table 17

Housing tolerances and resultant fits



Housing		Bearing		Housing bore diameter deviations, resultant fits ¹⁾									
Nominal bore diameter D		Outside diameter tolerance t_{Dmp}		Tolerance classes									
				F7 [Ⓔ]		G6 [Ⓔ]		G7 [Ⓔ]		H5 [Ⓔ]		H6 [Ⓔ]	
over	incl.	low	high	Deviations (housing bore diameter)									
				Theoretical clearance (+)									
				Probable clearance (+)									
mm		μm		μm									
800	1 000	0	-100	+86	+176	+26	+82	+26	+116	0	+36	0	+56
				+86	+276	+26	+182	+26	+216	0	+136	0	+156
				+113	+249	+46	+162	+53	+189	+14	+122	+20	+136
1 000	1 250	0	-125	+98	+203	+28	+94	+28	+133	0	+42	0	+66
				+98	+328	+28	+219	+28	+258	0	+167	0	+191
				+131	+295	+52	+195	+61	+225	+17	+150	+24	+167
1 250	1 600	0	-160	+110	+235	+30	+108	+30	+155	0	+50	0	+78
				+110	+395	+30	+268	+30	+315	0	+210	0	+238
				+150	+355	+60	+238	+70	+275	+21	+189	+30	+208
1 600	2 000	0	-200	+120	+270	+32	+124	+32	+182	0	+60	0	+92
				+120	+470	+32	+324	+32	+382	0	+260	0	+292
				+170	+420	+67	+289	+82	+332	+25	+235	+35	+257
2 000	2 500	0	-250	+130	+305	+34	+144	+34	+209	0	+70	0	+110
				+130	+555	+34	+394	+34	+459	0	+320	0	+360
				+189	+496	+77	+351	+93	+400	+30	+290	+43	+317

¹⁾ Values are valid for most bearings with Normal tolerances. For exceptions, refer to *Tolerances and resultant fits*, page 153.

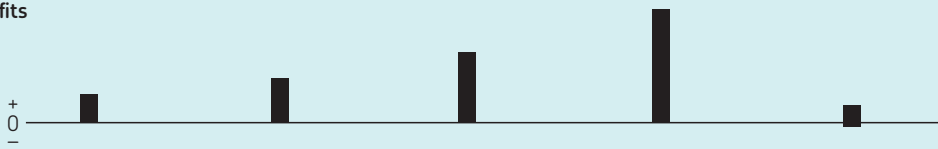
Housing tolerances and resultant fits



Housing Nominal bore diameter D		Bearing Outside diameter tolerance $t_{\Delta Dmp}$		Housing bore diameter deviations, resultant fits ¹⁾ Tolerance classes									
over	incl.	low	high	H7 \oplus	H8 \oplus	H9 \oplus	H10 \oplus	J6 \oplus					
				Deviations (housing bore diameter)									
				Theoretical interference (-)/clearance (+)									
				Probable interference (-)/clearance (+)									
mm		μm		μm									
6	10	0	-8	0	+15	0	+22	0	+36	0	+58	-4	+5
				0	+23	0	+30	0	+44	0	+66	-4	+13
				+3	+20	+3	+27	+3	+41	+3	+63	-2	+11
10	18	0	-8	0	+18	0	+27	0	+43	0	+70	-5	+6
				0	+26	0	+35	0	+51	0	+78	-5	+14
				+3	+23	+3	+32	+3	+48	+3	+75	-3	+12
18	30	0	-9	0	+21	0	+33	0	+52	0	+84	-5	+8
				0	+30	0	+42	0	+61	0	+93	-5	+17
				+3	+27	+3	+39	+4	+57	+4	+89	-2	+14
30	50	0	-11	0	+25	0	+39	0	+62	0	+100	-6	+10
				0	+36	0	+50	0	+73	0	+111	-6	+21
				+4	+32	+4	+46	+5	+68	+5	+106	-3	+18
50	80	0	-13	0	+30	0	+46	0	+74	0	+120	-6	+13
				0	+43	0	+59	0	+87	0	+133	-6	+26
				+5	+38	+5	+54	+5	+82	+6	+127	-2	+22
80	120	0	-15	0	+35	0	+54	0	+87	0	+140	-6	+16
				0	+50	0	+69	0	+102	0	+155	-6	+31
				+5	+45	+6	+63	+6	+96	+7	+148	-1	+26
120	150	0	-18	0	+40	0	+63	0	+100	0	+160	-7	+18
				0	+58	0	+81	0	+118	0	+178	-7	+36
				+7	+51	+7	+74	+8	+110	+8	+170	-1	+30
150	180	0	-25	0	+40	0	+63	0	+100	0	+160	-7	+18
				0	+65	0	+88	0	+125	0	+185	-7	+43
				+8	+57	+10	+78	+10	+115	+11	+174	0	+36
180	250	0	-30	0	+46	0	+72	0	+115	0	+185	-7	+22
				0	+76	0	+102	0	+145	0	+215	-7	+52
				+10	+66	+12	+90	+13	+132	+13	+202	+1	+44
250	315	0	-35	0	+52	0	+81	0	+130	0	+210	-7	+25
				0	+87	0	+116	0	+165	0	+245	-7	+60
				+12	+75	+13	+103	+15	+150	+16	+229	+2	+51
315	400	0	-40	0	+57	0	+89	0	+140	0	+230	-7	+29
				0	+97	0	+129	0	+180	0	+270	-7	+69
				+13	+84	+15	+114	+17	+163	+18	+252	+4	+58
400	500	0	-45	0	+63	0	+97	0	+155	0	+250	-7	+33
				0	+108	0	+142	0	+200	0	+295	-7	+78
				+15	+93	+17	+125	+19	+181	+20	+275	+5	+66
500	630	0	-50	0	+70	0	+110	0	+175	0	+280	-	-
				0	+120	0	+160	0	+225	0	+330	-	-
				+16	+104	+19	+141	+21	+204	+22	+308	-	-

Table 18

Housing tolerances and resultant fits



Housing		Bearing		Housing bore diameter deviations, resultant fits ¹⁾									
Nominal bore diameter D		Outside diameter tolerance $t_{\Delta Dmp}$		Tolerance classes									
D				H7 E		H8 E		H9 E		H10 E		J6 E	
over	incl.	low	high	Deviations (housing bore diameter)									
				Theoretical interference (-)/clearance (+)									
				Probable interference (-)/clearance (+)									
mm		μm		μm									
630	800	0	-75	0	+80	0	+125	0	+200	0	+320	-	-
				0	+155	0	+200	0	+275	0	+395	-	-
				+22	+133	+27	+173	+30	+245	+33	+362	-	-
800	1 000	0	-100	0	+90	0	+140	0	+230	0	+360	-	-
				0	+190	0	+240	0	+330	0	+460	-	-
				+27	+163	+33	+207	+39	+291	+43	+417	-	-
1 000	1 250	0	-125	0	+105	0	+165	0	+260	0	+420	-	-
				0	+230	0	+290	0	+385	0	+545	-	-
				+33	+197	+41	+249	+48	+337	+53	+492	-	-
1 250	1 600	0	-160	0	+125	0	+195	0	+310	0	+500	-	-
				0	+285	0	+355	0	+470	0	+660	-	-
				+40	+245	+51	+304	+60	+410	+67	+593	-	-
1 600	2 000	0	-200	0	+150	0	+230	0	+370	0	+600	-	-
				0	+350	0	+430	0	+570	0	+800	-	-
				+50	+300	+62	+368	+74	+496	+83	+717	-	-
2 000	2 500	0	-250	0	+175	0	+280	0	+440	0	+700	-	-
				0	+425	0	+530	0	+690	0	+950	-	-
				+59	+366	+77	+453	+91	+599	+103	+847	-	-

¹⁾ Values are valid for most bearings with Normal tolerances. For exceptions, refer to *Tolerances and resultant fits*, page 153.

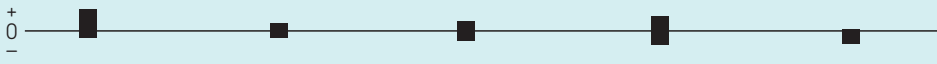
Housing tolerances and resultant fits



Housing Nominal bore diameter D		Bearing Outside diameter tolerance $t_{\Delta Dmp}$		Housing bore diameter deviations, resultant fits ¹⁾ Tolerance classes									
over	incl.	low	high	J7(E)		JS5(E)		JS6(E)		JS7(E)		K5(E)	
				Deviations (housing bore diameter)									
				Theoretical interference (-)/clearance (+)									
				Probable interference (-)/clearance (+)									
mm		µm		µm									
6	10	0	-8	-7	+8	-3	+3	-4,5	+4,5	-7,5	+7,5	-5	+1
				-7	+16	-3	+11	-4,5	+12,5	-7,5	+15,5	-5	+9
				-4	+13	-1	+9	-3	+11	-5	+13	-3	+7
10	18	0	-8	-8	+10	-4	+4	-5,5	+5,5	-9	+9	-6	+2
				-8	+18	-4	+12	-5,5	+13,5	-9	+17	-6	+10
				-5	+15	-2	+10	-3	+11	-6	+14	-4	+8
18	30	0	-9	-9	+12	-4,5	+4,5	-6,5	+6,5	-10,5	+10,5	-8	+1
				-9	+21	-4,5	+13,5	-6,5	+15,5	-10,5	+19,5	-8	+10
				-6	+18	-2	+11	-4	+13	-7	+16	-6	+8
30	50	0	-11	-11	+14	-5,5	+5,5	-8	+8	-12,5	+12,5	-9	+2
				-11	+25	-5,5	+16,5	-8	+19	-12,5	+23,5	-9	+13
				-7	+21	-3	+14	-5	+16	-9	+20	-6	+10
50	80	0	-13	-12	+18	-6,5	+6,5	-9,5	+9,5	-15	+15	-10	+3
				-12	+31	-6,5	+19,5	-9,5	+22,5	-15	+28	-10	+16
				-7	+26	-3	+16	-6	+19	-10	+23	-7	+13
80	120	0	-15	-13	+22	-7,5	+7,5	-11	+11	-17,5	+17,5	-13	+2
				-13	+37	-7,5	+22,5	-11	+26	-17,5	+32,5	-13	+17
				-8	+32	-4	+19	-6	+21	-12	+27	-9	+13
120	150	0	-18	-14	+26	-9	+9	-12,5	+12,5	-20	+20	-15	+3
				-14	+44	-9	+27	-12,5	+30,5	-20	+38	-15	+21
				-7	+37	-4	+22	-7	+25	-13	+31	-10	+16
150	180	0	-25	-14	+26	-9	+9	-12,5	+12,5	-20	+20	-15	+3
				-14	+51	-9	+34	-12,5	+37,5	-20	+45	-15	+28
				-6	+43	-3	+28	-6	+31	-12	+37	-9	+22
180	250	0	-30	-16	+30	-10	+10	-14,5	+14,5	-23	+23	-18	+2
				-16	+60	-10	+40	-14,5	+44,5	-23	+53	-18	+32
				-6	+50	-4	+34	-6	+36	-13	+43	-12	+26
250	315	0	-35	-16	+36	-11,5	+11,5	-16	+16	-26	+26	-20	+3
				-16	+71	-11,5	+46,5	-16	+51	-26	+61	-20	+38
				-4	+59	-4	+39	-7	+42	-14	+49	-12	+30
315	400	0	-40	-18	+39	-12,5	+12,5	-18	+18	-28,5	+28,5	-22	+3
				-18	+79	-12,5	+52,5	-18	+58	-28,5	+68,5	-22	+43
				-5	+66	-4	+44	-7	+47	-15	+55	-14	+35
400	500	0	-45	-20	+43	-13,5	+13,5	-20	+20	-31,5	+31,5	-25	+2
				-20	+88	-13,5	+58,5	-20	+65	-31,5	+76,5	-25	+47
				-5	+73	-4	+49	-8	+53	-17	+62	-16	+38
500	630	0	-50	-	-	-14	+14	-22	+22	-35	+35	-	-
				-	-	-14	+64	-22	+72	-35	+85	-	-
				-	-	-4	+54	-9	+59	-19	+69	-	-

Table 19

Housing tolerances and resultant fits



Housing		Bearing		Housing bore diameter deviations, resultant fits ¹⁾									
Nominal bore diameter D		Outside diameter tolerance $t_{\Delta Dmp}$		Tolerance classes									
				J7 E		JS5 E		JS6 E		JS7 E		K5 E	
over	incl.	low	high	Deviations (housing bore diameter)									
				Theoretical interference (-)/clearance (+)									
				Probable interference (-)/clearance (+)									
mm		μm		μm									
630	800	0	-75	-	-	-16	+16	-25	+25	-40	+40	-	-
				-	-	-16	+91	-25	+100	-40	+115	-	-
				-	-	-4	+79	-8	+83	-18	+93	-	-
800	1 000	0	-100	-	-	-18	+18	-28	+28	-45	+45	-	-
				-	-	-18	+118	-28	+128	-45	+145	-	-
				-	-	-4	+104	-8	+108	-18	+118	-	-
1 000	1 250	0	-125	-	-	-21	+21	-33	+33	-52	+52	-	-
				-	-	-21	+146	-33	+158	-52	+177	-	-
				-	-	-4	+129	-9	+134	-20	+145	-	-
1 250	1 600	0	-160	-	-	-25	+25	-39	+39	-62	+62	-	-
				-	-	-25	+185	-39	+199	-62	+222	-	-
				-	-	-4	+164	-9	+169	-22	+182	-	-
1 600	2 000	0	-200	-	-	-30	+30	-46	+46	-75	+75	-	-
				-	-	-30	+230	-46	+246	-75	+275	-	-
				-	-	-5	+205	-11	+211	-25	+225	-	-
2 000	2 500	0	-250	-	-	-35	+35	-55	+55	-87	+87	-	-
				-	-	-35	+285	-55	+305	-87	+337	-	-
				-	-	-5	+255	-12	+262	-28	+278	-	-

¹⁾ Values are valid for most bearings with Normal tolerances. For exceptions, refer to *Tolerances and resultant fits*, page 153.


Housing tolerances and resultant fits



Housing Nominal bore diameter D		Bearing Outside diameter tolerance $t_{\Delta Dmp}$		Housing bore diameter deviations, resultant fits ¹⁾ Tolerance classes																																	
over	incl.	low	high	K6		K7		M5		M6		M7																									
				Deviations (housing bore diameter)																																	
				Theoretical interference (-)/clearance (+)																																	
				Probable interference (-)/clearance (+)																																	
mm		μm		μm																																	
6	10	0	-8	-7	+2	-10	+5	-10	-4	-12	-3	-15	0	-7	+10	-10	+13	-10	+4	-12	+5	-15	+8	-5	+8	-7	+10	-8	+2	-10	+3	-12	+5				
				10	18	0	-8	-9	+2	-12	+6	-12	-4	-15	-4	-18	0	-9	+10	-12	+14	-12	+4	-15	+4	-18	+8	-7	+8	-9	+11	-10	+2	-13	+2	-15	+5
								18	30	0	-9	-11	+2	-15	+6	-14	-4	-17	-4	-21	0	-11	+11	-15	+15	-14	+4	-17	+5	-21	+9	-8	+8	-12	+12	-12	+2
30	50	0	-11	-13	+3	-18	+7					-16	-5	-20	-4	-25	0	-13	+14	-18	+18	-16	+6	-20	+7	-25	+11	-10	+11	-14	+14	-13	+3	-17	+4	-21	+7
				50	80	0	-13					-15	+4	-21	+9	-19	-6	-24	-5	-30	0	-15	+17	-21	+22	-19	+7	-24	+8	-30	+13	-11	+13	-16	+17	-16	+4
								80	120	0	-15	-18	+4	-25	+10	-23	-8	-28	-6	-35	0	-18	+19	-25	+25	-23	+7	-28	+9	-35	+15	-13	+14	-20	+20	-19	+3
120	150	0	-18									-21	+4	-28	+12	-27	-9	-33	-8	-40	0	-21	+22	-28	+30	-27	+9	-33	+10	-40	+18	-15	+16	-21	+23	-22	+4
				150	180	0	-25					-21	+4	-28	+12	-27	-9	-33	-8	-40	0	-21	+29	-28	+37	-27	+16	-33	+17	-40	+25	-14	+22	-20	+29	-21	+10
								180	250	0	-30	-24	+5	-33	+13	-31	-11	-37	-8	-46	0	-24	+35	-33	+43	-31	+19	-37	+22	-46	+30	-16	+27	-23	+33	-25	+13
250	315	0	-35									-27	+5	-36	+16	-36	-13	-41	-9	-52	0	-27	+40	-36	+51	-36	+22	-41	+26	-52	+35	-18	+31	-24	+39	-28	+14
				315	400	0	-40					-29	+7	-40	+17	-39	-14	-46	-10	-57	0	-29	+47	-40	+57	-39	+26	-46	+30	-57	+40	-18	+36	-27	+44	-31	+18
								400	500	0	-45	-32	+8	-45	+18	-43	-16	-50	-10	-63	0	-32	+53	-45	+63	-43	+29	-50	+35	-63	+45	-20	+41	-30	+48	-34	+20
500	630	0	-50									-44	0	-70	0	-	-	-70	-26	-96	-26	-44	+50	-70	+50	-	-	-70	+24	-96	+24	-31	+37	-54	+34	-	-

Table 20

Housing tolerances and resultant fits



Housing		Bearing		Housing bore diameter deviations, resultant fits ¹⁾									
Nominal bore diameter D		Outside diameter tolerance $t_{\Delta Dmp}$		Tolerance classes									
				K6 [Ⓔ]		K7 [Ⓔ]		M5 [Ⓔ]		M6 [Ⓔ]		M7 [Ⓔ]	
over	incl.	low	high	Deviations (housing bore diameter)									
				Theoretical interference (-)/clearance (+)									
				Probable interference (-)/clearance (+)									
mm		μm		μm									
630	800	0	-75	-50	0	-80	0	-	-	-80	-30	-110	-30
				-50	+75	-80	+75	-	-	-80	+45	-110	+45
				-33	+58	-58	+53	-	-	-63	+28	-88	+23
800	1 000	0	-100	-56	0	-90	0	-	-	-90	-34	-124	-34
				-56	+100	-90	+100	-	-	-90	+66	-124	+66
				-36	+80	-63	+73	-	-	-70	+46	-97	+39
1 000	1 250	0	-125	-66	0	-105	0	-	-	-106	-40	-145	-40
				-66	+125	-105	+125	-	-	-106	+85	-145	+85
				-42	+101	-72	+92	-	-	-82	+61	-112	+52
1 250	1 600	0	-160	-78	0	-125	0	-	-	-126	-48	-173	-48
				-78	+160	-125	+160	-	-	-126	+112	-173	+112
				-48	+130	-85	+120	-	-	-96	+82	-133	+72
1 600	2 000	0	-200	-92	0	-150	0	-	-	-158	-58	-208	-58
				-92	+200	-150	+200	-	-	-150	+142	-208	+142
				-57	+165	-100	+150	-	-	-115	+107	-158	+92
2 000	2 500	0	-250	-110	0	-175	0	-	-	-178	-68	-243	-68
				-110	+250	-175	+250	-	-	-178	+182	-243	+182
				-67	+207	-116	+191	-	-	-135	+139	-184	+123

¹⁾ Values are valid for most bearings with Normal tolerances. For exceptions, refer to *Tolerances and resultant fits*, page 153.

Housing tolerances and resultant fits



Housing Nominal bore diameter D		Bearing Outside diameter tolerance $t_{\Delta D_{mp}}$		Housing bore diameter deviations, resultant fits ¹⁾ Tolerance classes							
				N6(E)		N7(E)		P6(E)		P7(E)	
ove	incl.	low	high	Deviations (housing bore diameter)							
				Theoretical interference (-)/clearance (+)							
				Probable interference (-)/clearance (+)							
mm		μm		μm							
6	10	0	-8	-16	-7	-19	-4	-21	-12	-24	-9
				-16	+1	-19	+4	-21	-4	-24	-1
				-14	-1	-16	+1	-19	-6	-21	-4
10	18	0	-8	-20	-9	-23	-5	-26	-15	-29	-11
				-20	-1	-23	+3	-26	-7	-29	-3
				-18	-3	-20	0	-24	-9	-26	-6
18	30	0	-9	-24	-11	-28	-7	-31	-18	-35	-14
				-24	-2	-28	+2	-31	-9	-35	-5
				-21	-5	-25	-1	-28	-12	-32	-8
30	50	0	-11	-28	-12	-33	-8	-37	-21	-42	-17
				-28	-1	-33	+3	-37	-10	-42	-6
				-25	-4	-29	-1	-34	-13	-38	-10
50	80	0	-13	-33	-14	-39	-9	-45	-26	-51	-21
				-33	-1	-39	+4	-45	-13	-51	-8
				-29	-5	-34	-1	-41	-17	-46	-13
80	120	0	-15	-38	-16	-45	-10	-52	-30	-59	-24
				-38	-1	-45	+5	-52	-15	-59	-9
				-33	-6	-40	0	-47	-20	-54	-14
120	150	0	-18	-45	-20	-52	-12	-61	-36	-68	-28
				-45	-2	-52	+6	-61	-18	-68	-10
				-39	-8	-45	-1	-55	-24	-61	-17
150	180	0	-25	-45	-20	-52	-12	-61	-36	-68	-28
				-45	+5	-52	+13	-61	-11	-68	-3
				-38	-2	-44	+5	-54	-18	-60	-11
180	250	0	-30	-51	-22	-60	-14	-70	-41	-79	-33
				-51	+8	-60	+16	-70	-11	-79	-3
				-43	0	-50	+6	-62	-19	-69	-13
250	315	0	-35	-57	-25	-66	-14	-79	-47	-88	-36
				-57	+10	-66	+21	-79	-12	-88	-1
				-48	+1	-54	+9	-70	-21	-76	-13
315	400	0	-40	-62	-26	-73	-16	-87	-51	-98	-41
				-62	+14	-73	+24	-87	-11	-98	-1
				-51	+3	-60	+11	-76	-22	-85	-14
400	500	0	-45	-67	-27	-80	-17	-95	-55	-108	-45
				-67	+18	-80	+28	-95	-10	-108	0
				-55	+6	-65	+13	-83	-22	-93	-15
500	630	0	-50	-88	-44	-114	-44	-122	-78	-148	-78
				-88	+6	-114	+6	-122	-28	-148	-28
				-75	-7	-98	-10	-109	-41	-132	-44

Table 21

Housing tolerances and resultant fits

Housing		Bearing		Housing bore diameter deviations, resultant fits ¹⁾							
Nominal bore diameter D		Outside diameter tolerance $t_{\Delta D_{mp}}$		Tolerance classes							
D		$t_{\Delta D_{mp}}$		N6(E)		N7(E)		P6(E)		P7(E)	
over	incl.	low	high	Deviations (housing bore diameter)							
				Theoretical interference (-)/clearance (+)							
				Probable interference (-)/clearance (+)							
mm		μm		μm							
630	800	0	-75	-100	-50	-130	-50	-138	-88	-168	-88
				-100	+25	-130	+25	-138	-13	-168	-13
				-83	+8	-108	+3	-121	-30	-146	-35
800	1 000	0	-100	-112	-56	-146	-56	-156	-100	-190	-100
				-112	+44	-146	+44	-156	0	-190	0
				-92	+24	-119	+17	-136	-20	-163	-27
1 000	1 250	0	-125	-132	-66	-171	-66	-186	-120	-225	-120
				-132	+59	-171	+59	-186	+5	-225	+5
				-108	+35	-138	+26	-162	-19	-192	-28
1 250	1 600	0	-160	-156	-78	-203	-78	-218	-140	-265	-140
				-156	+82	-203	+82	-218	+20	-265	+20
				-126	+52	-163	+42	-188	-10	-225	-20
1 600	2 000	0	-200	-184	-92	-242	-92	-262	-170	-320	-170
				-184	+108	-242	+108	-262	+30	-320	+30
				-149	+73	-192	+58	-227	-5	-270	-20
2 000	2 500	0	-250	-220	-110	-285	-110	-305	-195	-370	-195
				-220	+140	-285	+140	-305	+55	-370	+55
				-177	+97	-226	+81	-262	+12	-311	-4

¹⁾ Values are valid for most bearings with Normal tolerances. For exceptions, refer to *Tolerances and resultant fits*, page 153.

Provisions for mounting and dismounting

Particularly when large bearings are involved, SKF recommends that during the design stage you make provisions to facilitate mounting and dismounting, including:

- slots or recesses machined in the shaft or housing shoulders so that withdrawal tools can be used ([fig. 8](#))
- threaded holes in the housing shoulders so that bolts can be used for dismounting ([fig. 9](#))
- oil supply ducts and distribution grooves in the shaft to enable the oil injection method to be used ([fig. 10](#))

Recommended dimensions for oil supply ducts and distribution grooves are listed in [table 22](#), and for threaded holes in [table 23](#). When using the oil injection method, Ra should not exceed 1,6 µm.

Fig. 8

Slots or recesses in the shaft to apply withdrawal tools

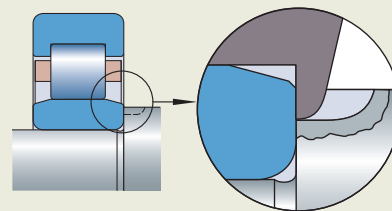


Fig. 9

Threaded holes in the housing to push bearing with bolts from its seat

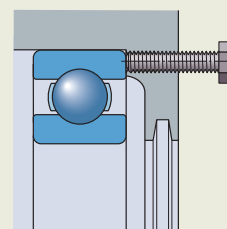


Fig. 10

Duct and groove for oil injection

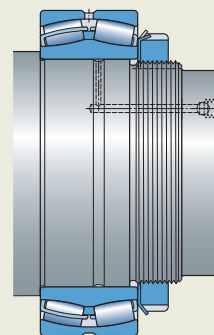
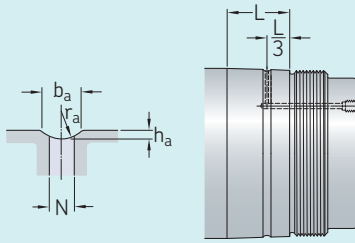


Table 22

Recommended dimensions for oil supply ducts and distribution grooves

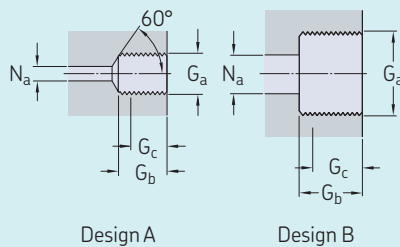


Seat diameter		Dimensions			
>	≤	b_a	h_a	r_a	N
mm		mm			
–	100	3	0,5	2,5	2,5
100	150	4	0,8	3	3
150	200	4	0,8	3	3
200	250	5	1	4	4
250	300	5	1	4	4
300	400	6	1,25	4,5	5
400	500	7	1,5	5	5
500	650	8	1,5	6	6
650	800	10	2	7	7
800	1 000	12	2,5	8	8

L = width of bearing seat

Table 23

Design and recommended dimensions for threaded holes for connecting oil supply



Design A

Design B

Thread	Design	Dimensions		N_a max.
G_a		G_b	$G_c^{1)}$	
–	–	mm		
M6	A	10	8	3
G 1/8	A	12	10	3
G 1/4	A	15	12	5
G 3/8	B	15	12	8
G 1/2	B	18	14	8
G 3/4	B	20	16	8

1) Effective threaded length

Axial location of bearing rings

Typically, it is not sufficient to use an interference fit alone to axially locate a bearing ring on a cylindrical seat. Common ways of locating bearing rings axially include:

- shaft or housing shoulders
- lock nuts or threaded rings ([fig. 11](#) and [fig. 12](#))
- end plates or housing covers ([fig. 13](#) and [fig. 14](#))
- distance rings, which support against adjacent parts ([fig. 15](#))
- snap rings ([fig. 16](#))

Any axial location should be able to accommodate the axial loads that may be applied to the bearing.

Bearings with a tapered bore

Depending on conditions and requirements, common ways of axially locating the inner ring of a bearing with a tapered bore are:

- a lock nut for bearings mounted on a tapered seat ([fig. 17](#))
- an adapter sleeve only ([fig. 18](#)), if no precise axial positioning is required and the axial loads do not exceed the friction between sleeve and shaft
- an adapter sleeve and a distance ring ([fig. 19](#)), if precise axial positioning is required or elevated axial loads occur
- a withdrawal sleeve with a distance ring (or shaft shoulder) and lock nut ([fig. 20](#))

Abutments and fillets

When designing abutments, allow enough space to avoid contact between rotating and stationary parts.

Shaft and housing fillet dimensions should always be smaller than the bearing chamfer radii. Heavily loaded shafts can require large fillets and a spacing collar may be necessary ([fig. 21](#)).

Appropriate abutment and fillet dimensions are listed in the product tables.

Fig. 11

Inner ring supported by a lock nut and shaft shoulder

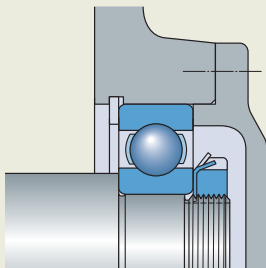


Fig. 13

Inner ring supported by an end plate and shaft shoulder

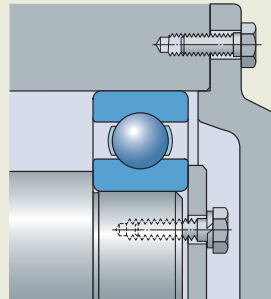


Fig. 15

Inner ring supported by a distance ring and lock nut

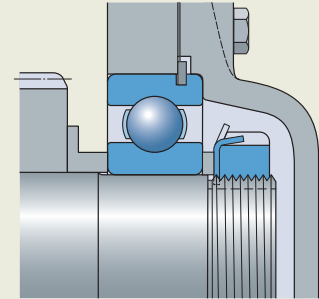


Fig. 12

Outer ring supported by a threaded ring

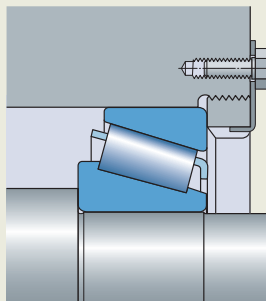


Fig. 14

Outer ring supported by housing cover and housing shoulder

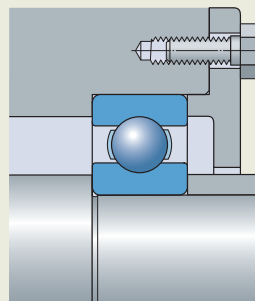
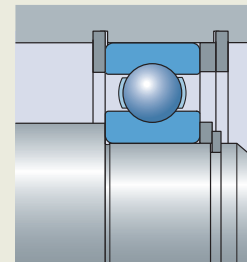


Fig. 16

Bearing supported axially by snap rings and shaft shoulder



Radially free mounted bearings for axial load

You may want to use individual bearings in a bearing arrangement to separately accommodate the radial and axial component of the load. A typical arrangement is to use a cylindrical roller bearing and a four-point contact ball bearing (fig. 22).

When using an individual bearing to accommodate the axial load, you should ensure that this bearing is not subjected to unintended radial loads by:

- designing the bore diameter of its housing to be approximately 1 mm larger than the bearing outer diameter
- not clamping its outer ring in the axial direction to permit its free radial positioning

Also consider the use of an anti-rotation pin. The designation suffix N2 indicates that the bearing has two locating slots in the outer ring.

Raceways on shafts and in housings

In order to save space, the rolling elements of cylindrical, needle or tapered roller bearings can run directly on raceways on the shaft and/or in the housing. To fully exploit the load carrying capacity, the raceways should comply with certain requirements, including:

- suitable material properties such as cleanliness, hardness and heat treatment
- suitable roughness and surface texture
- adequate tolerances for profile, roundness and total run-out

For additional information, contact the SKF application engineering service.

Fig. 17

Bearing on a tapered seat, supported by a lock nut

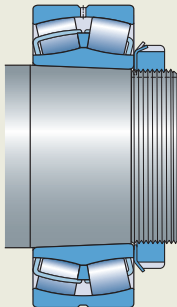


Fig. 19

Bearing on an adapter sleeve, positioned by a distance ring

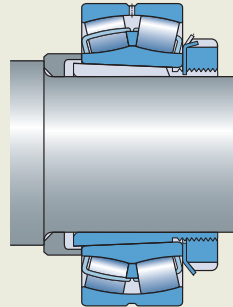


Fig. 21

Spacing collar designed not to contact the shaft fillet

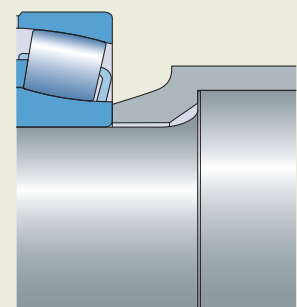


Fig. 18

Bearing on an adapter sleeve



Fig. 20

Bearing on a withdrawal sleeve

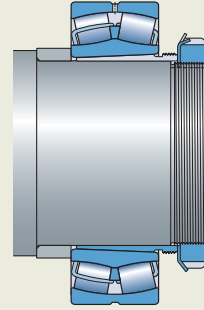
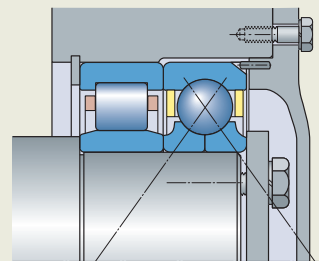


Fig. 22

Cylindrical roller bearing for radial load and four-point contact ball bearing for axial load



B.7

Bearing execution



B.7 Bearing execution

Selecting internal clearance or preload	182
Importance of selecting correct clearance/preload	183
Selecting initial internal clearance	183
Range of initial internal clearance	184
Clearance reduction caused by interference fits	184
Clearance reduction caused by temperature difference between shaft, bearing rings and housing.	184
Other influences on clearance/preload.	185
Required minimum initial internal clearance.	185
Selecting preload	186
Considerations for preload	186
Preloading with springs	186
Bearing tolerance class	187
Cages	187
Integral sealing	189
Additional options	189
Coatings	189
Features for special requirements	190

B.7 Bearing execution

As part of the bearing selection process, when the bearing type, size, and fit have been determined, additional factors must be considered to enable you to further define the final variant of the bearing.

In this section you can find recommendations and requirements for selecting:

- the bearing internal clearance or preload
- the bearing tolerances
- the appropriate cage (where applicable)
- integral seals (where applicable)
- additional options, such as coatings and other features to meet any special needs/requirements

Selecting internal clearance or preload

Bearing internal clearance ([fig. 1](#)) is defined as the total distance through which one bearing ring can be moved relative to the other in the radial direction (radial internal clearance) or in the axial direction (axial internal clearance).

Initial internal clearance is the internal clearance in the bearing prior to mounting.

Mounted clearance is the internal clearance in the bearing after mounting but prior to operation.

Operating clearance is the internal clearance in the bearing when it is in operation and has reached a stable temperature.

In most applications, the initial internal clearance in a bearing is greater than its operating clearance. This is because of the effects of ([fig. 2](#)):

- interference fits with the shaft and/or housing
- thermal expansion of the bearing rings and associated components

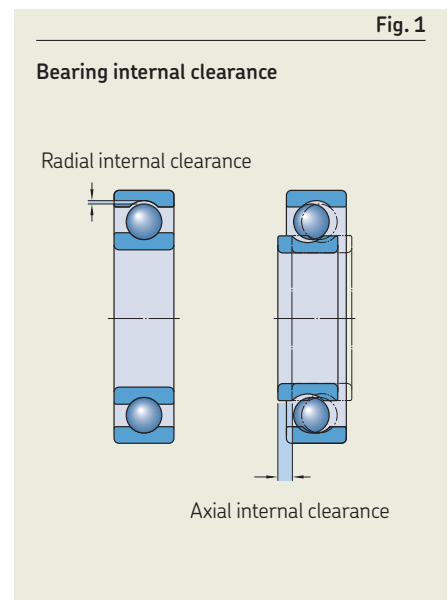
Bearings must have the appropriate operating clearance to operate satisfactorily (*Importance of selecting correct clearance/preload*).

In most cases, bearings require a certain degree of clearance (*Selecting initial internal clearance*). However, in some cases, they may require preload (i.e. negative clearance, refer to *Selecting preload*, [page 186](#)).

As a general rule:

- Ball bearings should have an operating clearance that is virtually zero.
- Cylindrical, needle, spherical and CARB toroidal roller bearings typically require at least a small operational clearance.
- Tapered roller and angular contact ball bearings should have a small operational clearance, except in applications where a high degree of stiffness or positional control is required, in which case they can be mounted with a degree of preload.

Sections *Selecting initial internal clearance* and *Selecting preload*, describe the influencing factors that you must consider and provide the methods by which you can calculate the initial internal clearance needed to achieve the degree of operational clearance/preload required by your application.



Importance of selecting correct clearance/preload

The operating clearance or preload in a bearing influences, among other things, the friction, load zone size and fatigue life of a bearing. The relationship between these parameters is shown in [diagram 1](#). The diagram is generalized and based on rolling bearings under radial load.

For general applications, the operating clearance range should be within the recommended zone shown in [diagram 1](#).

Selecting initial internal clearance

The operating clearance required for a bearing to perform satisfactorily is application dependent (*Importance of selecting correct clearance/preload*).

You must ensure that the bearing has a minimum initial internal clearance of a size that, when it is reduced by the effects of mounting and other influences, is equal to or greater than the required minimum operating clearance.

To achieve this, follow this procedure:

- consider the reduction of clearance caused by interference fits ([page 184](#))

- consider the reduction of clearance caused by temperature difference between the shaft, bearing rings and housing ([page 184](#))
- consider the reduction of clearance caused by other influences ([page 185](#))
- consider the required minimum initial internal clearance ([page 185](#))

- select the required minimum initial internal clearance ([page 185](#))

In case of doubt, contact the SKF application engineering service for support.

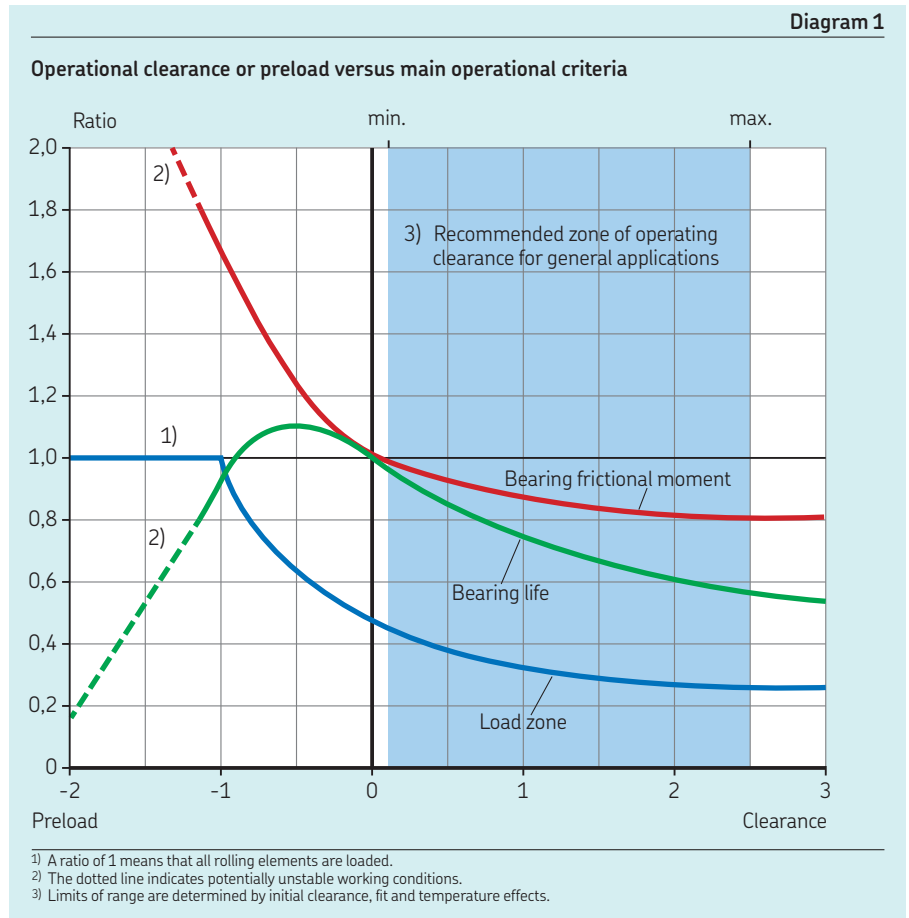
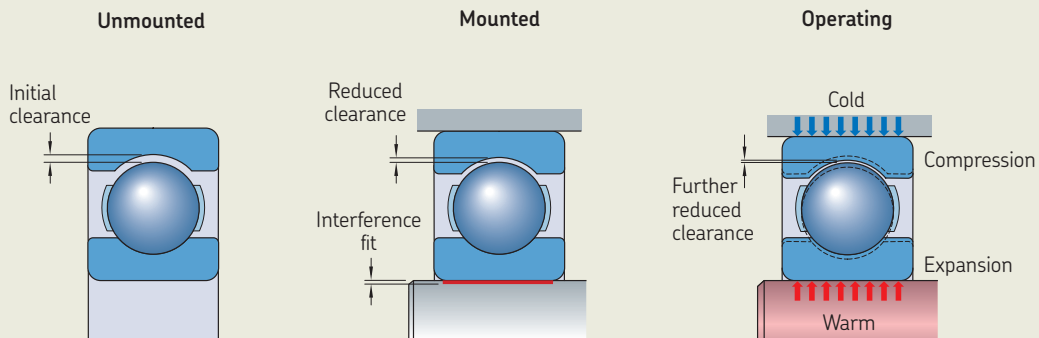


Fig. 2

Initial internal clearance and operating clearance



Range of initial internal clearance

Bearing types for adjusted bearing arrangements – such as angular contact ball bearings, tapered roller bearings and spherical roller thrust bearings – have their internal clearance set during mounting. The internal clearance of such an arrangement, even though set by adjustment during mounting, will nevertheless have a range.

For other bearing types, the initial internal clearance is determined during their manufacture. ISO has defined five clearance classes for specifying the degree of initial internal clearance in a bearing (*Internal clearance*, page 26). Each clearance class represents a range of values. The size of the ranges varies depending on bearing type and size. Clearance class details are listed in relevant product sections.

Initial clearances greater than Normal, such as C3 or even C4 clearance classes, are very common today. This is because modern bearings take higher loads and require tighter interference fits, and typical operating conditions are different, compared to when the clearance classes were defined.

For universally matchable single row angular contact ball bearings and matched tapered roller bearings, double row angular contact ball bearings and four-point contact ball bearings, values for the axial internal clearance are given instead of radial internal clearance, because the axial clearance is of greater practical importance for these bearing types. Radial internal clearance is related to axial internal clearance and that relationship is determined by the bearing type and its internal geometry. For detailed information, refer to the product sections.

Clearance reduction caused by interference fits

An interference fit causes clearance reduction because inner rings are expanded and outer rings are compressed. The reduction equals the effective interference fit multiplied by a reduction factor using

$$\Delta r_{\text{fit}} = \Delta_1 f_1 + \Delta_2 f_2$$

where

Δr_{fit} = clearance reduction caused by the fit [μm]

f_1 = reduction factor for the inner ring

f_2 = reduction factor for the outer ring

Δ_1 = effective interference between the inner ring and shaft [μm]

Δ_2 = effective interference between the outer ring and housing [μm]

Reduction factors valid for a solid steel shaft and a thick-walled cast iron or steel housing can be obtained from [diagram 2](#) as a function of the ratio of the bearing bore diameter d to the outside diameter D . For the effective interference value, use the maximum probable interference value listed in the appropriate tables in *Tolerances and resultant fits*, [page 153](#).

For a more detailed analysis, consider using SKF calculation tools, such as *SKF Bearing Calculator* (skf.com/bearingcalculator), *SKF SimPro Quick* or *SKF SimPro Expert*, or contact the SKF application engineering service.

Clearance reduction caused by temperature difference between shaft, bearing rings and housing

The temperature behaviour of an application can create a difference in temperature between a bearing inner ring and outer ring, which changes the mounted bearing clearance/preload. For a steel shaft and steel or cast iron housing, the change can be estimated using

$$\Delta r_{\text{temp}} = 0,012 \Delta T d_m$$

where

Δr_{temp} = clearance reduction caused by temperature difference [mm]

ΔT = temperature difference between inner and outer ring [$^{\circ}\text{C}$]

d_m = the bearing mean diameter [mm]
= $(d + D)/2$

Steady state

The operating temperature of a bearing reaches a steady state when there is thermal equilibrium ([page 131](#)) – i.e. there is a balance between generated heat and dissipated heat. In the common case where the ambient temperature of the surroundings of the housing of a bearing arrangement is cooler than its shaft, a steady-state temperature gradient is developed that results in the inner ring of the bearing being hotter than the outer ring (ΔT_{steady} in [diagram 3](#)).

Diagram 2

Factors for clearance reduction caused by interference fits

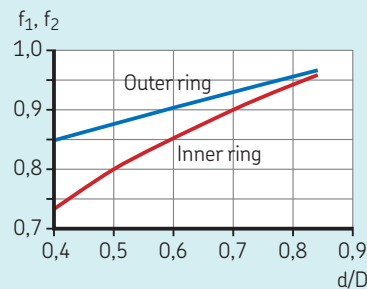
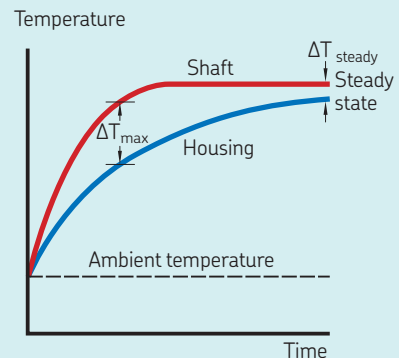


Diagram 3

Temperature differences during start-up going into steady state



Start-up

During start-up, the temperature gradient over the bearing is largely determined by the transient heat flow. Among the various components in contact with the bearing, the one that has the smallest thermal capacity will rise in temperature faster than the one that has the largest thermal capacity. Therefore, the start-up sequence can result in a larger temperature differential between bearing inner and outer ring than in the steady-state condition. It results in a temperature peak during start-up (ΔT_{max} in [diagram 3](#)). This is especially pronounced in machines that either are working outdoors in a cold climate or have a heated shaft.

Higher speeds

Whether during start-up or at steady state, higher speeds generate larger frictional losses. This typically results in a larger temperature differential between the bearing inner and outer ring and therefore a need for larger initial clearance.

Other influences on clearance/preload

Axial clamping of a ring results in a small increase of its diameter. Normally, this has a negligible influence. For machines where there is a large axial load on any of the rings, or where two bearings (e.g. angular contact ball bearings or tapered roller bearings, with or without distance rings) are clamped axially, the influence on clearance or preload from the axial compression and the radial expansion must be considered.

Misalignment beyond the limits specified in the product sections will reduce the clearance which, because of unfavourable load distribution, will result in reduced service life and increased friction.

Where light alloy materials are used, the temperature differences between rings and shaft or housing may have a more pronounced influence on the clearance of the bearing.

Required minimum initial internal clearance

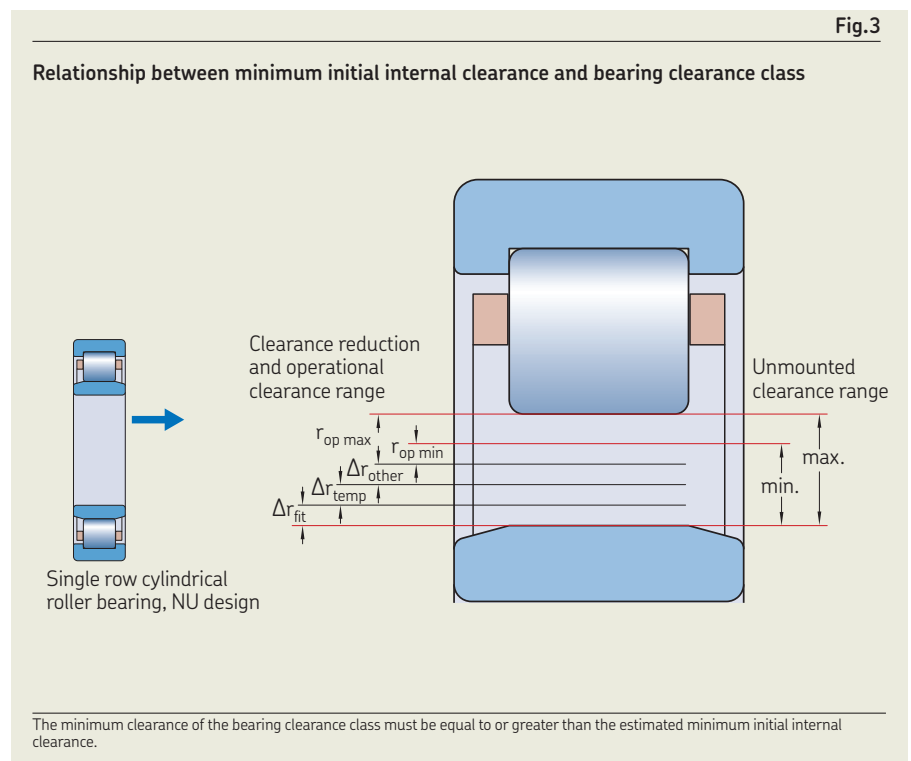
The required minimum initial internal clearance can be estimated using

$$r = r_{op} + \Delta r_{fit} + \Delta r_{temp} + \Delta r_{other}$$

where

- r = required minimum initial internal clearance [μm]
- r_{op} = required operating clearance [μm]
- Δr_{fit} = clearance change caused by the maximum expected fits [μm]
- Δr_{temp} = maximum clearance change expected from the temperature difference during start-up or in steady state [μm]
- Δr_{other} = maximum clearance change expected from other effects such as axial clamping [μm]

- Bearing types for adjusted bearing arrangements – such as angular contact ball bearings, tapered roller bearings or spherical roller thrust bearings – have their internal clearance set during mounting (*Mounting adjusted bearing arrangements*, [page 203](#)).
- For other bearing types, select a bearing clearance class (*Internal clearance*, [page 26](#): Normal, C3, C4, etc.) whose minimum clearance is equal to or greater than the estimated minimum initial internal clearance ([fig.3](#)). Then verify whether the resulting maximum clearance of the selected clearance class is acceptable for the application. If the maximum clearance, for whatever reason, is too large then consider choosing a reduced clearance group – e.g. C3L, which includes only the lower half of the C3 clearance group range.



Selecting preload

Depending on the application, there may be a need to preload a bearing arrangement. For example, if a high degree of stiffness or positional control is required then preload may be suitable. Similarly, where there is a very light or no external load on the bearing in operation then preload may be required to ensure a minimum load.

Applying the preload is typically done by measuring a force, sometimes a displacement over a distance or path, or by measuring the frictional torque during mounting.

Empirical preload values can be obtained from proven designs and can be applied to similar designs. For new designs, SKF recommends calculating the appropriate preload range by using SKF SimPro Quick or SKF SimPro Expert and then checking it by testing in the application. The agreement between the calculation and the actual application depends on how closely the estimated operating temperature and elastic behaviour of the associated components – most importantly the housing – coincide with the actual conditions in operation. In this context, the effects of start-up at low ambient temperature must be included in the testing.

Considerations for preload

Depending on the bearing type, preload may be either radial or axial. Super-precision cylindrical roller bearings, for example, can only be preloaded radially because of their design, while angular contact ball bearings or tapered roller bearings can only be preloaded axially.

Single tapered roller bearings or angular contact ball bearings are generally mounted together with a second bearing of the same type and size in a back-to-back (load lines diverge, [fig. 4](#)) or face-to-face (load lines converge, [fig. 5](#)) arrangement. The same is true for single row angular contact ball bearings.

The distance L between the pressure centres is longer when the bearings are arranged back-to-back compared to bearings that are arranged face-to-face. The back-to-back arrangement can accommodate larger tilting moments.

If the shaft temperature in operation is higher than the housing temperature, the preload, which was adjusted at ambient temperature during mounting, will change. Since thermal growth of a shaft makes it larger both in the axial and in the radial direction, the back-to-back arrangements are less sensitive to thermal effects than the face-to-face arrangements.

When adjusting preload in a bearing system, it is important that the established preload value is attained with the least possible variation. To reduce variation when mounting tapered roller bearings, the shaft should be turned several times to ensure that the rollers are in correct contact with the guide flange of the inner ring.

Preloading with springs

By preloading bearings it is possible to reduce the noise in, for example, small electric motors or similar applications. In this example, the bearing arrangement comprises a preloaded single row deep groove ball bearing at each end of the shaft ([fig. 6](#)). The simplest method of applying preload is to use a wave spring. The spring acts on the outer ring of one of the two bearings. This outer ring must be able to be axially displaced.

The preload force remains practically constant, even when there is axial displacement of the bearing as a result of thermal elongation.

The requisite preload force can be estimated using

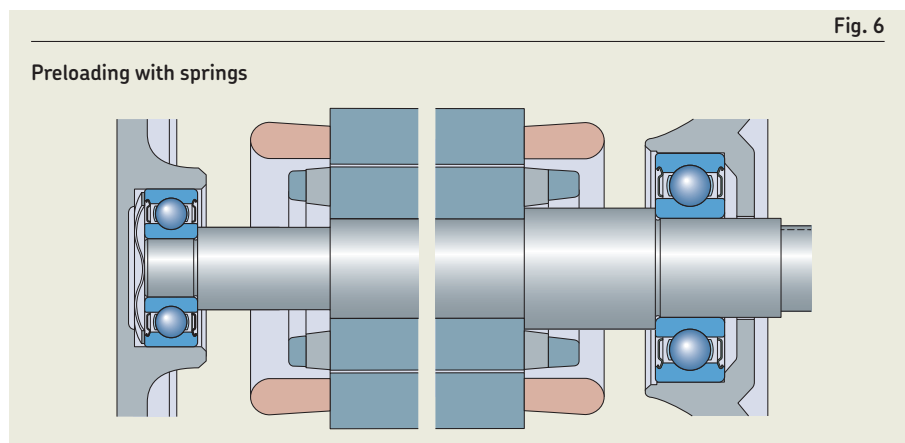
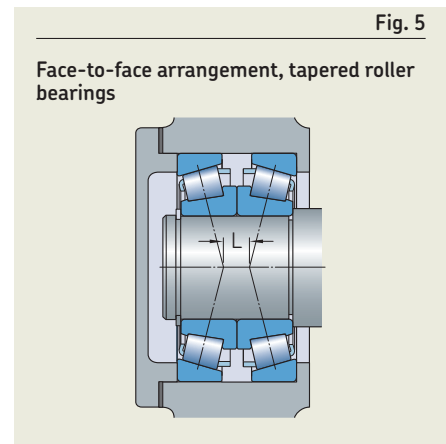
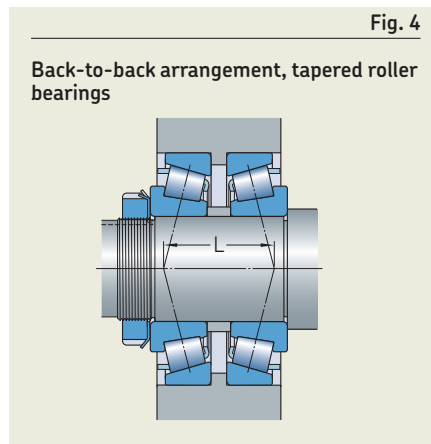
$$F = k d$$

where

F = preload force [kN]

k = a factor, described in the following text

d = bearing bore diameter [mm]



For small electric motors, values of between 0,005 and 0,01 are used for the factor k. If preload is used primarily to protect the bearing from the damage caused by external vibrations when stationary, then greater preload is required and $k = 0,02$ should be used.

Spring loading is also a common method of applying preload to angular contact ball bearings in high-speed grinding spindles. The method is not suitable for bearing applications where a high degree of stiffness is required, where the direction of axial load changes, or where undefined peak loads can occur.

For additional information, refer to *Bearing preload*, (skf.com/go/17000-B7).

Bearing tolerance class

The dimensional and geometrical tolerances of bearings are described by their tolerance classes (*Tolerances*, [page 36](#)). In addition to the Normal, P6 and P5 tolerance classes, SKF also manufactures bearings with even narrower tolerances. These include P4, UP and other tolerance classes. For information about SKF bearings that have a tolerance class better than P5, refer to skf.com/super-precision.

Select the tolerance class for a bearing based on the application requirements for precision of rotation and operational speed ([diagram 4](#)).

If the application requirements for precision of rotation are moderate (*Selecting fits*, [page 140](#)) and operational speed are moderate (*Speed limitations*, [page 135](#)), then choose a Normal tolerance class. If the requirements for precision of rotation and/or operational speed are greater than moderate, then choose an appropriately more accurate tolerance class ([diagram 4](#)).

For detailed information about standard tolerances, please refer to the product sections.

Cages

The main cage types are described in *Components and materials*, [page 24](#). Additionally, information about standard cages, and possible cage options, for a particular bearing type is given in the relevant product section. If a bearing with a non-standard cage is required, check availability before ordering.

There are fundamental design differences between bearings which, together with the influence of bearing size, make certain cage designs necessary. For example:

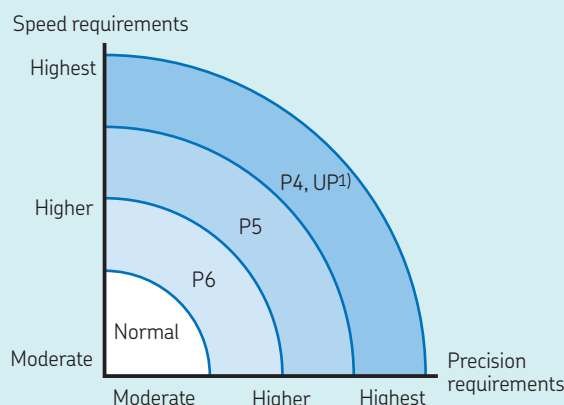
- some bearing types need either split or snap-type cages, because they are assembled after the rings and rolling elements have been sub-assembled
- other bearing types need roller-guided cages, to be self-containing
- bearings of a certain combination of size and series need ring-guided cages, to limit contact stress between rolling elements and cage

Given the specific functional demands and quantity of bearings being manufactured, the material and manufacturing methods are chosen to provide the most reliable and cost-effective cage.

Cages are mechanically stressed during bearing operation by frictional, impact, centrifugal and inertial forces. They can also be chemically influenced by certain organic solvents or coolants, lubricants, and lubricant additives. Therefore, the material type used for a cage has a significant influence on the suitability of a rolling bearing for a particular application.

Diagram 4

Bearing tolerance class related to precision of rotation and operational speed



¹ For information about SKF bearings that have a tolerance class better than P5, refer to skf.com/super-precision.

B.7 Bearing execution

Steel cages

Steel cages can be used at operating temperatures up to 300 °C (570 °F).

Sheet steel cages

Stamped sheet steel cages are made of low carbon steel. These lightweight cages have relatively high strength and, for some bearing types, can be surface treated to further reduce friction and wear in critical conditions.

Machined steel cages

Machined steel cages are normally made of non-alloyed structural steel. To reduce friction and wear, some machined steel cages are surface treated.

Machined steel cages are not affected by the mineral or synthetic oil-based lubricants normally used for rolling bearings, or by the organic solvents used to clean bearings.

Brass cages

Brass cages can be used at operating temperatures up to 250 °C (480 °F).

Sheet brass cages

Stamped sheet brass cages are used for some small and medium-size bearings. In applications such as refrigeration compressors that use ammonia, machined brass or steel cages should be used.

Machined brass cages

Most brass cages are machined from cast or wrought brass. They are unaffected by most common bearing lubricants, including synthetic oils and greases, and can be cleaned using organic solvents.

Polymer cages

Polyamide 66

Polyamide 66 (PA66) is the most commonly used material for injection moulded cages. This material, with or without glass fibres, is characterized by a favourable combination of strength and elasticity. The mechanical properties, such as strength and elasticity, of polymer materials are temperature

dependent and subject to ageing. The factors that most influence the ageing process are temperature, time and the medium (lubricant) to which the polymer is exposed. The relationship between these factors for glass fibre reinforced PA66 is shown in [diagram 5](#). Cage life decreases with increasing temperature and the aggressiveness of the lubricant.

Therefore, whether polyamide cages are suitable for a specific application depends on the operating conditions and life requirements. The classification of lubricants into “aggressive” and “mild” is reflected by the “permissible operating temperature” for cages made of glass fibre reinforced PA66 with various lubricants ([table 1](#)). The permissible operating temperature in [table 1](#) is defined as the temperature that provides a cage ageing life of at least 10 000 operating hours.

Some media are even more “aggressive” than those specified in [table 1](#). A typical example is ammonia, used as a refrigerant in compressors. In those cases, cages made of glass fibre reinforced PA66 should not be used at operating temperatures above 70 °C (160 °F).

Polyamide loses its elasticity at low temperatures. Therefore, cages made of glass fibre reinforced PA66 should not be used in applications where the continuous operating temperature is below -40 °C (-40 °F).

Polyamide 46

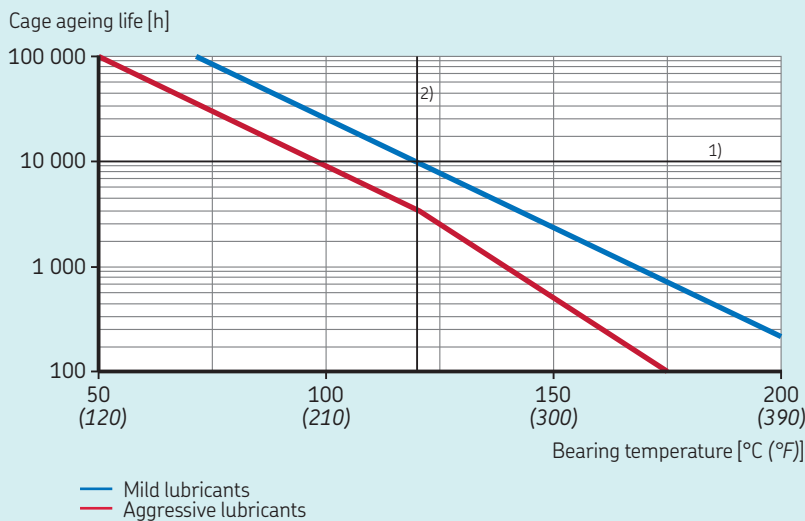
Glass fibre reinforced polyamide 46 (PA46) is the standard cage material for some small and medium-size CARB toroidal roller bearings. The permissible operating temperature is 15 °C (25 °F) higher than for glass fibre reinforced PA66.

Polyetheretherketone

Glass fibre reinforced polyetheretherketone (PEEK) is more suitable for demanding conditions regarding high speeds, chemical resistance or high temperatures than PA66 and PA46. The exceptional properties of PEEK provide a superior combination of strength and flexibility, high operating temperature range, and high chemical and wear resistance. Because of these outstanding features, PEEK cages are commonly available for hybrid and/or super-precision ball and cylindrical roller bearings. The material does not show signs of ageing by temperature or oil additives up to 200 °C (390 °F). However, the maximum temperature for high-speed use is limited to 150 °C (300 °F) as this is the softening temperature of the polymer.

Diagram 5

Cage ageing life for glass fibre reinforced PA66



¹⁾ The permissible operating temperature is defined as the temperature that provides a cage ageing life of at least 10 000 operating hours.

²⁾ Generally, “aggressive” lubricants have a permissible temperature that is less than 120 °C (250 °F).

Cages made of other materials

In addition to the materials described previously, SKF bearings for special applications may be fitted with cages made of other engineered polymers, light alloys or special cast iron. For additional information about alternative cage materials, contact SKF.

Integral sealing

Integral sealing can significantly prolong bearing service life by keeping lubricant in the bearing and contaminants out.

The various types of capping devices that are available for SKF bearings are described in *Components and materials*, [page 24](#).

Information about which integral seal options are available for a particular bearing type is given in the relevant product section.

Additional options

Coatings

Coating is a well-established method to upgrade materials and to provide bearings with additional benefits for specific application conditions. Various coating methods developed by SKF are available and have been proven successful in many applications.

Black oxide

Black oxide coating of rings and rollers improves reliability and performance in highly demanding applications, especially under low load conditions and high vibration. In addition, it improves corrosion protection and lubricant adhesion on the bearing surfaces.

SKF also supplies customized black oxide coating layers that are optimized for best tribological results and highest bearing performance, produced using well-defined processes and fine tuned to the individual steel grade, bearing type and size. SKF's evaluation and quality control technology for the black oxide application process includes a

scanning electron microscope and a patented examination method.

NoWear

NoWear is a wear-resistant surface coating that applies a low-friction carbon coating on the bearing inner ring raceway(s) and/or the rolling elements. It can withstand long periods of operation under marginal lubrication conditions. For additional information, refer to *NoWear coated bearings*, [page 1060](#)

INSOCOAT

INSOCOAT bearings are standard bearings that have the external surfaces of their inner or outer ring plasma-sprayed with an aluminium oxide, impregnated with a resin sealant, to form a coating. It offers resistance to the damage that can be caused by the passage of stray electric current through the bearing. For additional information, refer to *INSOCOAT bearings*, [page 1030](#).

Other coatings are available that provide an alternative to stainless steel bearings (especially for ready-to-mount bearing units) that are used in a corrosive environment.

Table 1

Permissible operating temperatures for PA66 cages with various bearing lubricants

Lubricant	Permissible operating temperature ¹⁾	
	°C	°F
–		
Mineral oils		
Oils without EP additives, e.g. machine or hydraulic oils	120	250
Oils with EP additives, e.g. industrial and automotive gearbox oils	110	230
Oils with EP additives, e.g. automotive rear axle and differential gear oils (automotive), hypoid gear oils	100	210
Synthetic oils		
Polyglycols, poly-alpha-olefins	120	250
Diesters, silicones	110	230
Phosphate esters	80	175
Greases		
Lithium greases	120	250
Polyurea, bentonite, calcium complex greases	120	250

For sodium and calcium greases and other greases with a maximum operating temperature ≤ 120 °C (250 °F), the maximum temperature for a polyamide cage is the same as the maximum operating temperature for the grease.

¹⁾ Measured on the outside surface of the outer ring; defined as the temperature that provides a cage ageing life of at least 10 000 operating hours.

Features for special requirements

SKF supplies many more bearing variants, in addition to those presented in the product sections, for accomplishing various tasks and satisfying special application needs. Among the more common special variants manufactured by SKF are:

- special chamfers – e.g. with a larger radius or with a modified shape (fig. 7)
- additional anti-rotation slots in the outer ring (standard for some bearing types, such as four-point contact ball bearings) (table 2, fig. 8)
- threaded holes in the rings to accommodate eye bolts to ease lifting (fig. 9)
- special greases
- sensors – e.g. to aid mounting (fig. 10) or for monitoring speed and direction of rotation (fig. 11)
- measuring reports, material certificate, additional inspections
- tailor-made bearings and units (fig.12 and fig.13)

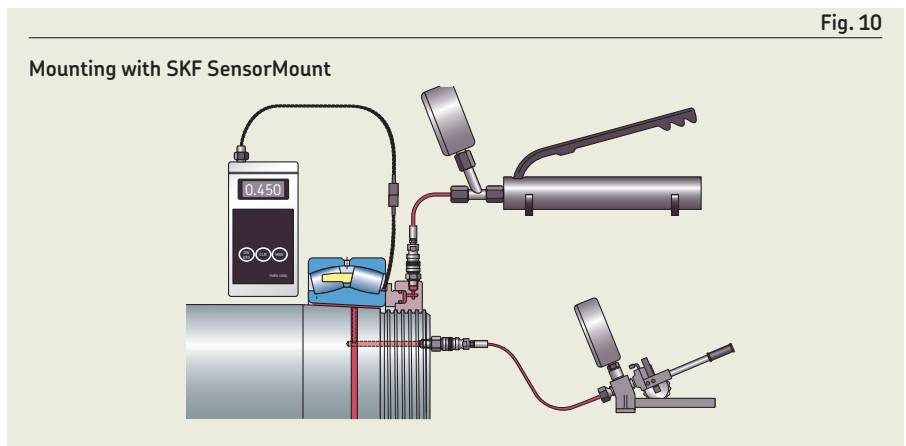
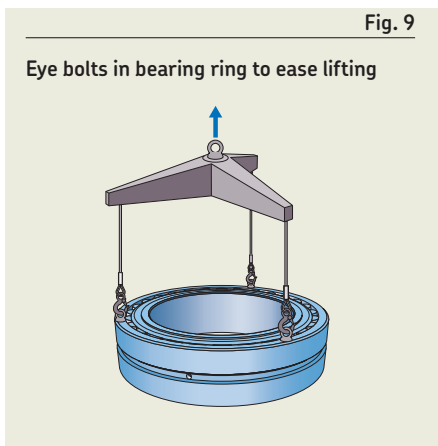
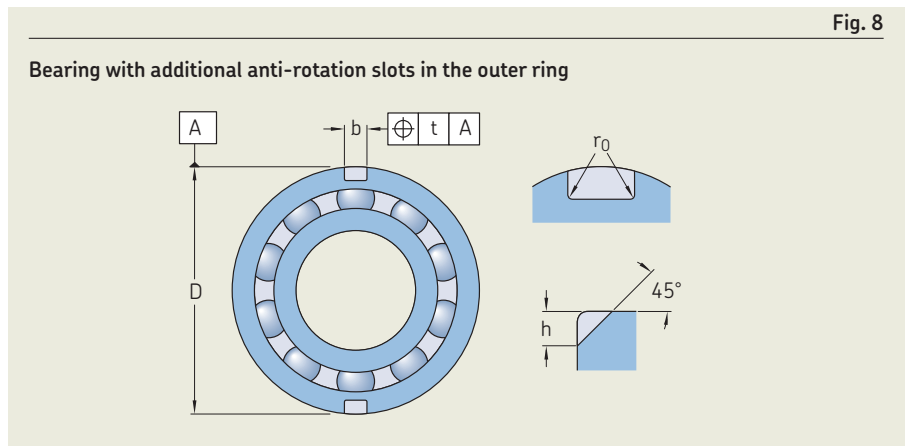
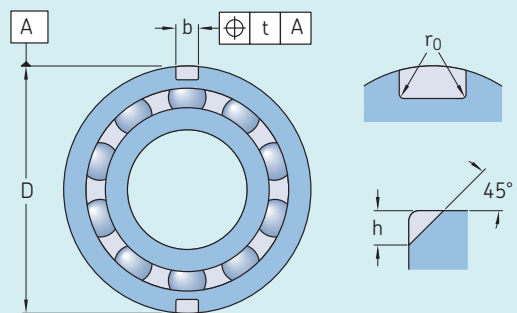


Table 2

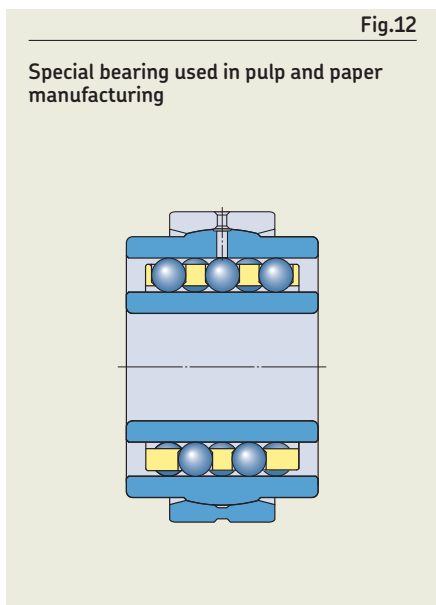
Locating slots in the outer ring of four-point contact ball bearings



Outside diameter		Dimensions Diameter series 2			Diameter series 3			Tolerance ¹⁾	
D	≤	h	b	r ₀	h	b	r ₀	t	U
mm		mm						mm	
35	45	2,5	3,5	0,5	–	–	–	0,2	
45	60	3	4,5	0,5	3,5	4,5	0,5	0,2	
60	72	3,5	4,5	0,5	3,5	4,5	0,5	0,2	
72	95	4	5,5	0,5	4	5,5	0,5	0,2	
95	115	5	6,5	0,5	5	6,5	0,5	0,2	
115	130	6,5	6,5	0,5	8,1	6,5	1	0,2	
130	145	8,1	6,5	1	8,1	6,5	1	0,2	
145	170	8,1	6,5	1	10,1	8,5	2	0,2	
170	190	10,1	8,5	2	11,7	10,5	2	0,2	
190	210	10,1	8,5	2	11,7	10,5	2	0,2	
210	240	11,7	10,5	2	11,7	10,5	2	0,2	
240	270	11,7	10,5	2	11,7	10,5	2	0,2	
270	400	12,7	10,5	2	12,7	10,5	2	0,4	

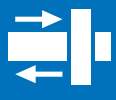
¹⁾ Other tolerances are in accordance with ISO 20515.

B.7 Bearing execution





Sealing, mounting and dismounting



B.8 Sealing, mounting and dismounting

External sealing	194
Seal selection criteria	195
Seal types	195
Non-contact seals.	196
Contact seals.	197
Mounting and dismounting	199
Mounting.	200
Mounting bearings with a cylindrical bore	201
SKF methods and tools.	202
Mounting adjusted bearing arrangements	203
Mounting bearings with a tapered bore.	203
Test running	206
Machines on standby	207
Dismounting	207
Dismounting bearings fitted on a cylindrical shaft seat.	207
Dismounting bearings fitted on a tapered shaft seat.	208
Dismounting bearings fitted on an adapter sleeve	209
Dismounting bearings fitted on a withdrawal sleeve	210
Inspection and monitoring	211
Inspection during operation	211
Inspection during a machine shutdown	212
Troubleshooting	213

B.8 Sealing, mounting and dismounting

This section is the last step in the *Bearing selection process* and it covers:

- **External sealing**
How to select appropriate seals for rolling bearing applications and the different types of seal available.
- **Mounting and dismounting**
The preparation and guidelines for mounting and dismounting bearings.
- **Inspection and monitoring**
Various aspects of inspecting and monitoring bearings in operation for the purpose of preventing problems, and an introduction to troubleshooting.

External sealing

Bearing arrangements generally include a shaft, bearings, housing(s), lubricant, associated components, and seals. Seals are vital to the cleanliness of the lubricant and the service life of the bearings.

The section on *Integral sealing*, [page 189](#), gives a general description of the integral seals used in capped bearings. For detailed information, refer to the relevant product sections.

This section describes seals outside the bearing, and how they affect bearing performance. Because of their importance for bearing applications, this section deals exclusively with non-contact and contact shaft seals, their various designs and executions.

Seal selection criteria Seal types

Seals for bearing applications should provide maximum protection with a minimum amount of friction and wear, under the prevailing operating conditions. Because bearing performance and service life are so closely tied to the effectiveness and cleanliness of the lubricant, the seal is a key component. For additional information on the influence of solid contaminants on bearing performance, refer to *Contamination factor*, η_c , [page 104](#)

Many factors must be considered when selecting the most suitable seal for a particular bearing-shaft-housing system. These include:

- the lubricant type: oil or grease
- the contaminant type: particles or fluid or both
- the circumferential speed at the seal lip
- the shaft arrangement: horizontal or vertical
- possible shaft misalignment or deflection
- run-out and concentricity
- available space
- seal friction and the resulting temperature increase
- environmental influences
- cost
- required operating time
- maintenance requirements

For additional information, refer to *Power transmission seals*, (skf.com/seals).

The purpose of a seal is to retain lubricant and prevent any contaminants from entering into a controlled environment.

There are several basic seal types:

- non-contact seals
- contact seals
- static seals

Non-contact radial shaft seals form a narrow gap between the stationary and the rotating component. The gap can be arranged axially, radially or in combination. Non-contact seals, which range from simple gap-type seals to multi-stage labyrinths ([fig. 1](#)), do not wear.

Seals in contact with sliding surfaces are called contact seals and are used to seal passages between machine components that move relative to each other, either linearly or circumferentially.

The most common contact seal is the radial shaft seal ([fig. 2](#)), which is installed between a stationary and a rotating component.

Seals between stationary surfaces are called static seals. Their effectiveness depends on the radial or axial deformation of their cross section when installed. Gaskets ([fig. 3](#)) and O-rings ([fig. 4](#)) are typical examples of static seals.

Fig. 1

Multi-stage labyrinth seal

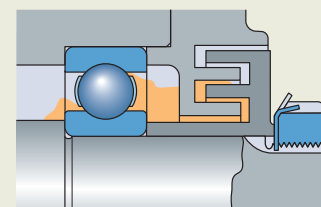


Fig. 2

Radial shaft seal

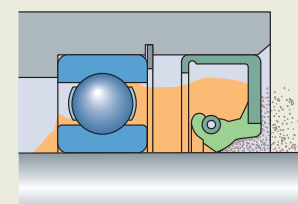


Fig. 3

Gasket

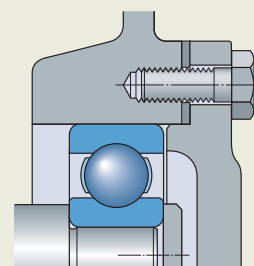
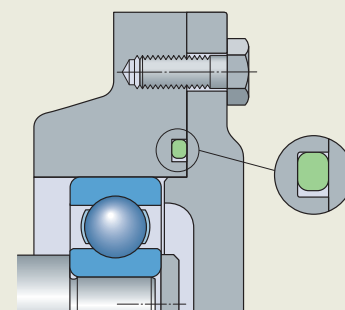


Fig. 4

O-ring



Non-contact seals

The simplest seal used outside a bearing is the gap-type seal, which creates a small gap between the shaft and housing cover (fig. 5). This type of seal is mainly used for grease lubricated applications that operate in dry, dust-free environments. To enhance the effectiveness of this seal, one or more concentric grooves can be machined in the housing cover bore at the shaft end (fig. 6). The grease emerging through the gap fills the grooves and helps to prevent entry of contaminants.

With oil lubrication and horizontal shafts, helical grooves can be machined into the shaft or housing bore, either right-handed or left-handed, depending on the direction of shaft rotation (fig. 7). These grooves are designed to return emerging oil to the bearing; therefore, it is essential that the shaft rotates in one direction only.

Other shapes can be machined into the shaft. Non-helical grooves may be used on the shaft and in the housing; these function as disruptors/flingers. Additional shaft collars can prevent oil leakage, whatever the direction of rotation.

Single or multi-stage labyrinth seals, typically used with grease lubrication, are considerably more effective than simple gap-type seals, but are also more expensive. Their effectiveness can be further improved by periodically applying grease, via a duct, to the labyrinth passages. The passages of the labyrinth seal can be arranged axially (fig. 8) or radially (fig. 9), depending on the housing type (split or non-split), mounting procedures, available space, etc. The radial gaps of the labyrinth (fig. 8) remain unchanged when axial displacement of the shaft occurs in operation; therefore, the gaps can be very narrow. Where angular misalignment of the shaft relative to the housing can occur, labyrinths with inclined passages can be used (fig. 10).

Effective and inexpensive labyrinth seals can be made using SKF sealing washers (fig. 11). Sealing effectiveness increases with the number of washer sets and can be further improved by incorporating flocked washers. For additional information on these sealing washers, refer to *Power transmission seals*, (skf.com/seals).

Rotating discs (fig. 12) are often fitted to the shaft to act as a shield. Flingers, grooves or discs are also used with oil lubrication. The oil from the flinger is collected in a channel in the housing and returned to the housing sump through suitable ducts (fig. 13).

Fig. 5

External gap-type seal

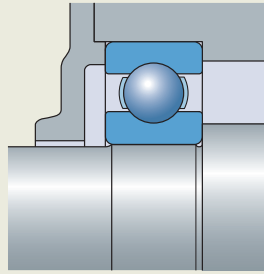


Fig. 6

External gap-type seal with concentric grooves

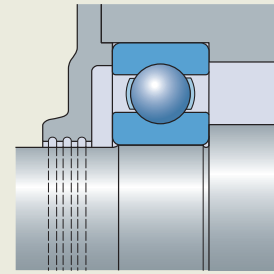


Fig. 7

External gap-type seal with helical grooves

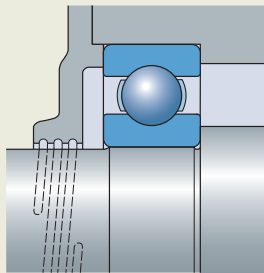


Fig. 8

External labyrinth seal, passages arranged axially

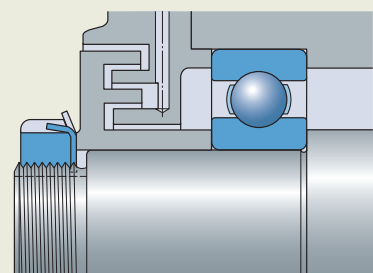


Fig. 9

External labyrinth seal, passages arranged radially

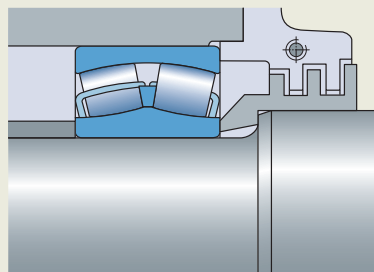


Fig. 10

External labyrinth seal, with inclined passages

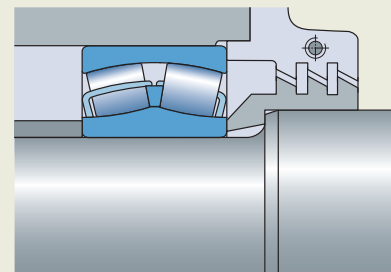


Fig. 11

Labyrinth seal consisting of multiple SKF sealing washers

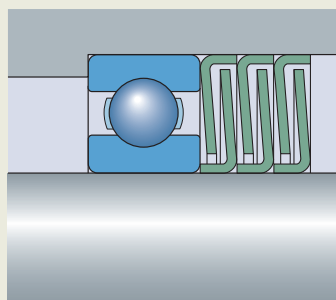
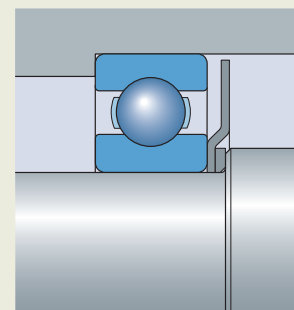


Fig. 12

Rotating disc acting as a shield



Contact seals

There are four common types of contact seals:

- radial shaft seals
- V-ring seals
- axial clamp seals
- mechanical seals

The seal type selected for a particular application typically depends on:

- the primary purpose of the seal (to retain lubricant or exclude contaminants)
- the type of lubricant (oil, grease or other)
- the operating conditions (speed, temperature, pressure and environment)

Radial shaft seals

Radial shaft seals (fig. 14 and fig. 15) are contact seals that are used for oil and grease lubricated applications. For detailed information, refer to the SKF catalogue *Industrial shaft seals*. These ready-to-mount components typically consist of a metal reinforcement or casing, a synthetic rubber body, a seal lip and a garter spring. The seal lip is pressed against the shaft by the garter spring. Depending on the seal material and medium to be retained and/or excluded, commonly used materials for radial shaft seals can be used at temperatures between -55 °C (-65 °F) and $+200\text{ °C}$ (390 °F).

The seal counterface, that part of the shaft where the seal lip makes contact, is of vital importance to sealing effectiveness. The surface hardness of the counterface should be at least 45 HRC at a depth of at least 0,3 mm. The surface texture should be in accordance with ISO 4288 and within the guidelines of $R_a = 0,2$ to $0,5\text{ }\mu\text{m}$. In applications where speeds are low, lubrication is

good, and contamination levels are minimal, a lower hardness can be acceptable. For oil lubrication, to avoid the pumping effect induced by helical grinding marks, SKF recommends plunge grinding the counterface.

If the primary purpose of the radial shaft seal is lubricant retention, the seal should be mounted with the lip facing inward (fig. 14). If the primary purpose is to exclude contaminants, the lip should face outward, away from the bearing (fig. 15).

SKF can also supply machined polyurethane radial shaft seals.

⚠ WARNING

Safety precautions for fluoro rubber and Polytetrafluoroethylene

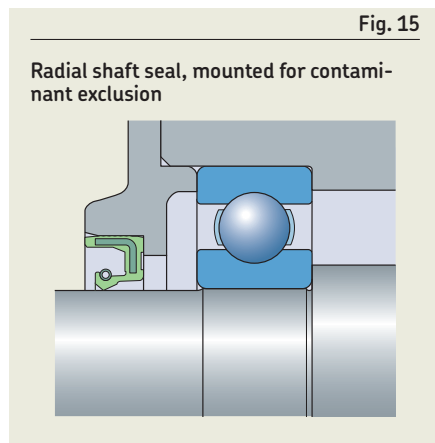
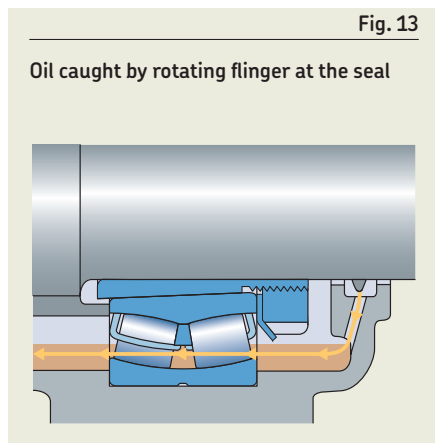
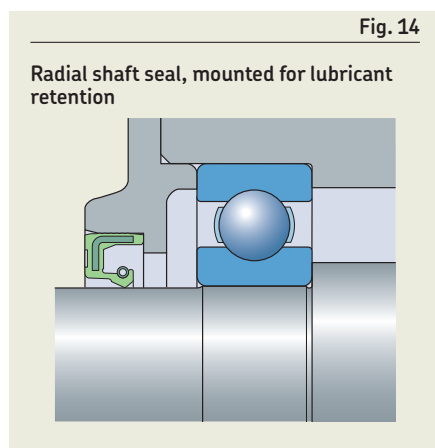
Fluoro rubber (FKM) and Polytetrafluoroethylene (PTFE) are very stable and harmless up to normal operating temperatures of 200 °C (390 °F). However, if exposed to temperatures above 300 °C (570 °F), such as fire or the open flame of a cutting torch, FKM and PTFE give off hazardous fumes. These fumes can be harmful if inhaled, as well as if they contact the eyes. In addition, once the seals have been heated to such temperatures, they are dangerous to handle even after they have cooled. Therefore, they should never come in contact with the skin.

If it is necessary to handle bearings with seals that have been subjected to high temperatures, such as when dismantling the bearing, the following safety precautions should be observed:

- Always wear protective goggles, gloves and appropriate breathing apparatus.
- Place all of the remains of the seals in an airtight plastic container marked with a symbol for "material will etch".
- Follow the safety precautions in the appropriate safety data sheet (SDS).

If there is contact with the seals, wash hands with soap and plenty of water and, if contact has been made with the eyes, flush eyes with plenty of water and consult a doctor immediately. If the fumes have been inhaled, consult a doctor immediately.

The user is responsible for the correct use of the product during its service life and its proper disposal. SKF takes no responsibility for the improper handling of FKM or PTFE, or for any injury resulting from their use.



B.8 Sealing, mounting and dismounting

V-ring seals

V-ring seals (fig. 16) can be used with either oil or grease lubrication. The elastic rubber body of the seal grips the shaft and rotates with it, while the seal lip exerts a light axial pressure on a stationary component, such as a housing. Depending on the material, V-rings can be used at operating temperatures between $-40\text{ }^{\circ}\text{C}$ ($-40\text{ }^{\circ}\text{F}$) and $+200\text{ }^{\circ}\text{C}$ ($390\text{ }^{\circ}\text{F}$). They are simple to install and permit relatively large angular misalignments of the shaft at low speeds.

The recommended counterface surface finish (surface texture) depends on the circumferential speed (table 1). At circumferential speeds above 8 m/s, the body of the seal must be located axially on the shaft. At speeds above 12 m/s, the body must be prevented from lifting from the shaft. A sheet metal support ring can be used to do this. When circumferential speeds exceed 15 m/s, the seal lip lifts away from the counterface and the V-ring becomes a gap-type seal.

V-ring seals have good sealing abilities, which can be attributed to the body of the seal, which acts as a flinger, repelling dirt and fluids. As a result, these seals are generally arranged outside the housing in grease lubricated applications and inside the housing, with the lip pointing away from the bearing, in oil lubricated applications. Used as a secondary seal, V-rings protect the primary seal from excessive contaminants and moisture.

For added protection in extremely contaminated applications, SKF also supplies MVR seals (fig. 17 and SKF catalogue *Industrial shaft seals*).

Axial clamp seals

Axial clamp seals (fig. 18) are used as secondary seals for large-diameter shafts in applications where protection is required for the primary seal. They are clamped in position on a non-rotating component and seal axially against a rotating counterface. For this type of seal, it is sufficient if the counterface is fine-turned and has a surface texture of $R_a = 2,5\text{ }\mu\text{m}$.

Mechanical seals

Mechanical seals (fig. 19) are used to seal grease or oil lubricated applications, where speeds are relatively low and operating conditions arduous. Mechanical seals consist of two sliding steel rings with finely finished sealing surfaces and two Belleville rubber compound washers, which position the sliding rings in the housing bore and provide the necessary preload force to the sealing surfaces. There are no special requirements for the mating surfaces in the housing bore.

Other seals

Felt seals (fig. 20) are generally used with grease lubrication. They are simple, cost-effective and can be used at circumferential speeds of up to 4 m/s and at operating temperatures up to $100\text{ }^{\circ}\text{C}$ ($210\text{ }^{\circ}\text{F}$). The counterface should be ground to a surface texture of $R_a \leq 3,2\text{ }\mu\text{m}$. The effectiveness of a felt seal can be improved substantially by mounting a simple labyrinth seal as a secondary seal. Before being inserted in the housing groove, felt seals should be soaked in oil at about $80\text{ }^{\circ}\text{C}$ ($175\text{ }^{\circ}\text{F}$) prior to mounting.

Metal seals (fig. 21) are simple, cost-effective and space-saving seals for grease lubricated bearings. The seals are clamped against either the inner or outer ring and exert a resilient axial pressure against the other ring. After a certain running-in period, a narrow gap forms and these become non-contact seals.

Table 1

Recommended counterface surface finish

Circumferential speed		Surface finish R_a	
m/s	ft/min.	μm	$\mu\text{in.}$
>10	>1 969	0,4–0,8	16–32
5–10	984–1 969	0,8–1,6	32–64
1–5	199–984	1,6–2,0	64–80
<1	<199	2,0–2,5	80–100

The surface finish must not be lower than $R_a = 0,05\text{ }\mu\text{m}$ ($2\text{ }\mu\text{in.}$).

Fig. 16

V-ring seal

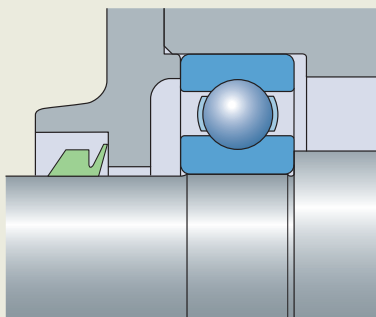
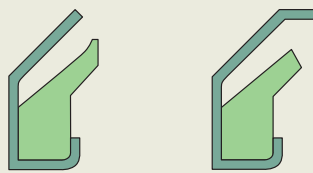


Fig. 17

MVR seal designs

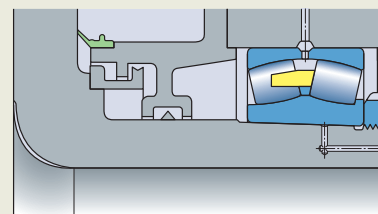


MVR1

MVR2

Fig. 18

Axial clamp seal



Mounting and dismounting

Rolling bearings are reliable machine elements that can provide long service life, if they are mounted properly. Proper mounting requires experience, accuracy, a clean work environment, correct working methods and the appropriate tools. SKF offers a comprehensive assortment of high-quality tools for this purpose. For detailed information, refer to *Maintenance products*, (skf.com/mapro).

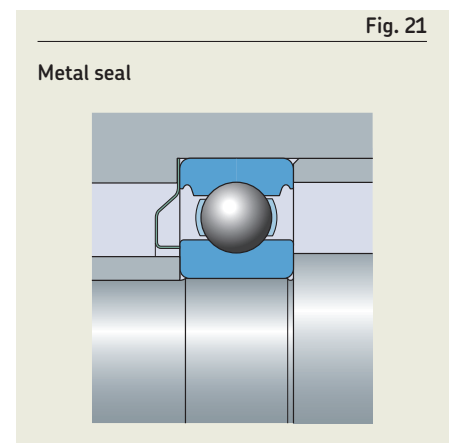
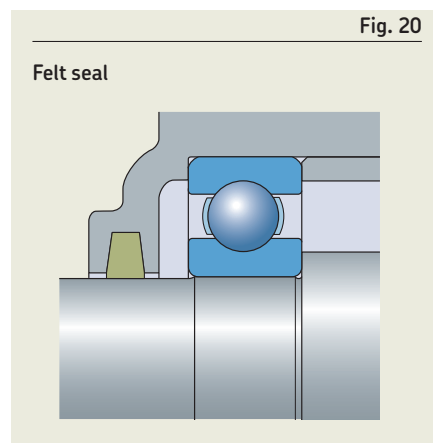
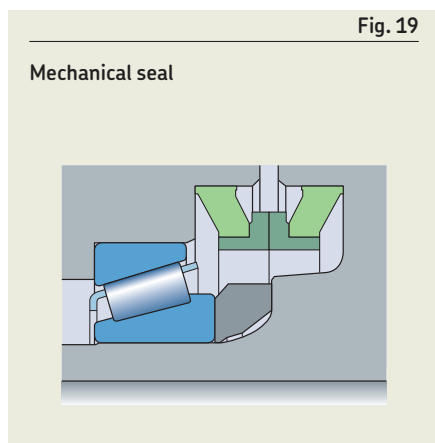
Mounting bearings correctly is often more difficult than it appears, especially where large bearings are concerned. As part of the SKF Services and Solutions program, SKF offers seminars and hands-on training courses. Mounting and maintenance assistance may also be available from your local SKF company or SKF Authorized Distributor.

The information provided in this section is quite general and is intended primarily to indicate what must be considered by machine and equipment designers to facilitate bearing mounting and dismounting. It includes:

- Mounting
- Test running
- Machines on standby
- Dismounting

Further reading on bearing mounting and dismounting

- *SKF bearing maintenance handbook* (ISBN 978-91-978966-4-1)
- Mounting instructions for individual bearings (skf.com/mount)



Mounting

Before mounting, be sure you have all the necessary parts, tools, equipment and data available and ready to use. Review any drawings or instructions to determine the correct sequence and orientation in which components are to be assembled. Leave the bearings in their original packages until immediately before mounting so that they are not exposed to any contaminants. If there is a risk that the bearings have become contaminated because of improper handling or damaged packaging, they should be washed, dried and inspected before mounting.

Assembly area

Bearings should be mounted in a dry, dust-free area, away from machines producing swarf and dust. When bearings have to be mounted in an unprotected area, which is often the case with large bearings, steps should be taken to protect the bearing and mounting position from contaminants such as dust, dirt and moisture. This can be done by covering or wrapping bearings and machine components with plastic or foil.

Checking associated components

Housings, shafts, seals and other components of the bearing–shaft–housing system should be checked to make sure they are clean. This is particularly important for lubrication holes and threaded holes, lead-ins or grooves where remnants of previous machining operations might have collected. Also, make sure that all unpainted surfaces of cast housings are free of core sand and that any burrs are removed.

When all components have been cleaned and dried, check the dimensional and geometrical tolerances of each piece. The bearings only perform satisfactorily if the associated components comply with the prescribed tolerances. The diameters of cylindrical shaft and housing seats are usually checked with a micrometer, or internal gauge, at two cross sections and in four directions (fig. 22). Tapered shaft seats can be checked using a *GRA 30 series ring gauge* or a *DMB or 9205 series taper gauge* refer to skf.com, or a sine bar.

Removing the preservative

Normally, the preservative applied to new bearings does not need to be removed. It is only necessary to wipe off the outside and bore surfaces. However, if the lubricant to be used is not compatible with the preservative, the bearing should be washed and dried carefully. Bearings capped with seals or shields are filled with grease and should not be washed prior to mounting.

Bearing handling and safety

SKF recommends use of personal protection clothing and equipment, such as gloves, safety shoes and goggles, as well as carrying and lifting tools (fig. 23) that have been specially designed for handling bearings. Using the proper tools enhances safety, while saving time and effort.

When handling hot or oily bearings, SKF recommends wearing the appropriate heat or oil resistant gloves (fig. 24).

For large, heavy bearings, use lifting tackle that supports the bearing from the bottom (fig. 25). A spring between the hook and tackle can facilitate positioning of the bearing onto the shaft.

To ease lifting, large bearings can be provided, on request, with threaded holes in the ring side faces to accommodate eye bolts. These holes are designed to bear only the weight of the bearing, because the size and depth of the hole is limited by the ring thickness. Make sure that the eye bolts are only subjected to load in the direction of the shank axis (fig. 26).

Fig. 22

Measuring of cylindrical shaft and housing seats

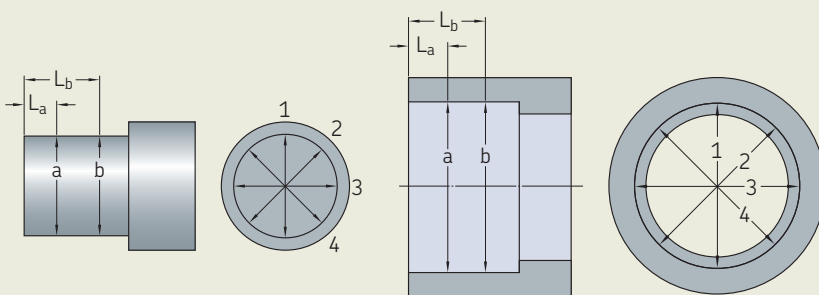


Fig. 23

Carrying tool

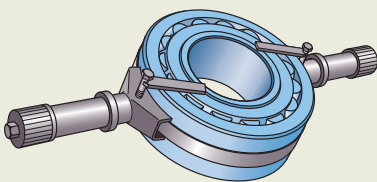


Fig. 24

Heat resistant glove

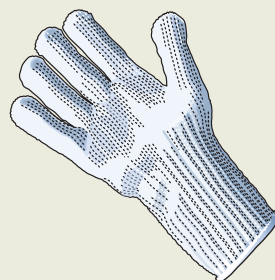
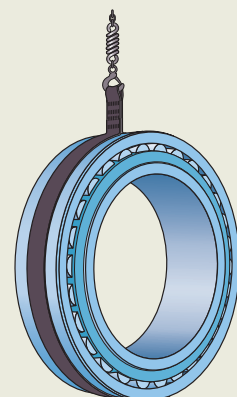


Fig. 25

Lifting of heavy bearings



Methods and tools

Depending on the bearing type and size, mechanical, thermal or hydraulic methods are used for mounting ([table 2, page 202](#)). Bearing sizes are categorized as follows:

- small → $d \leq 80$ mm
- medium-size → $80 \text{ mm} < d < 200$ mm
- large → $d \geq 200$ mm

In all cases, it is important that the bearing rings, cages and rolling elements or seals are never struck directly with any hard object and that the mounting force is never applied through the rolling elements.

For an interference fit, the mating surfaces should be coated with a thin layer of light oil. For a loose fit, the mating surfaces should be coated with SKF anti-fretting agent.

Mounting bearings with a cylindrical bore

Non-separable bearings

With non-separable bearings, the ring that requires the tighter fit is usually mounted first.

Separable bearings

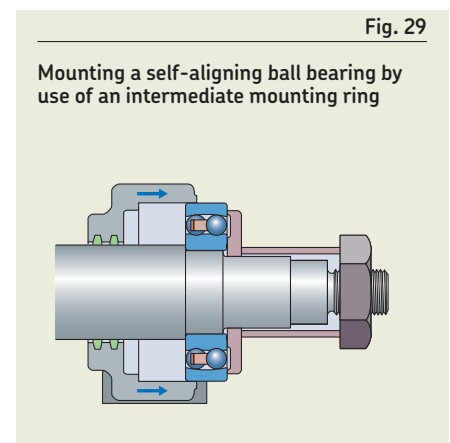
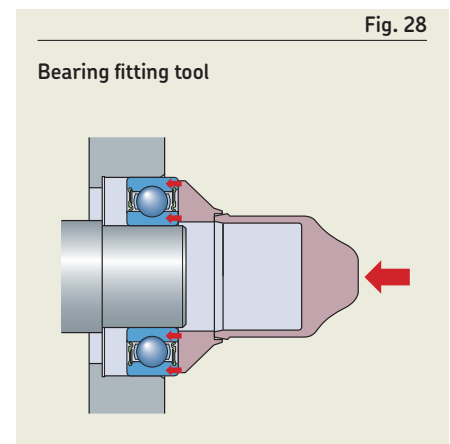
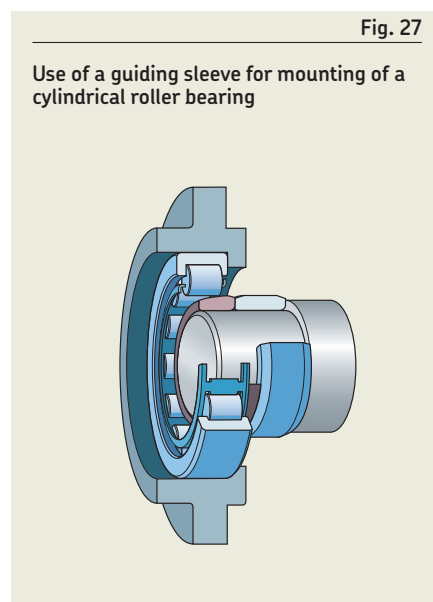
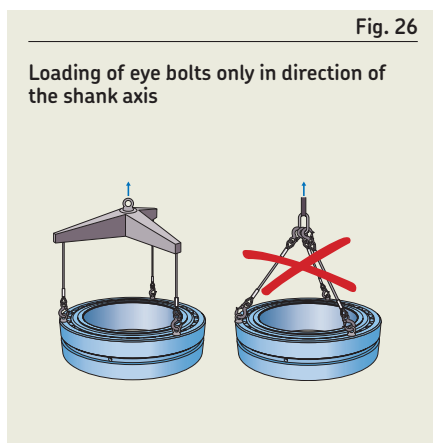
With separable bearings, the inner ring can be mounted independently of the outer ring, which simplifies mounting, particularly where both rings have an interference fit. When mounting the shaft and inner ring assembly into the housing containing the outer ring, careful alignment is required to avoid scoring the raceways and rolling elements. When mounting cylindrical or needle roller bearings with an inner ring without flanges or with a flange on one side only, a guiding sleeve should be used ([fig. 27](#)). The outside diameter of the sleeve should be the same as the raceway diameter of the inner ring and should be machined to tolerance class $d10 \text{E}$ for cylindrical roller bearings, and to tolerance $0/-0,025$ mm for needle roller bearings.

Cold mounting

If the fit is not too tight, small bearings can be driven into position by applying light hammer blows to a bearing fitting tool ([fig. 28](#)). The tool enables the mounting force to be applied centrally.

If a bearing has to be pressed onto the shaft and into the housing bore at the same time, the mounting force must be applied equally to both rings and the abutment surfaces of the mounting tool must lie in the same plane. Whenever possible, mounting should be done with an SKF bearing fitting tool ([fig. 28](#)).

With self-aligning bearings, the use of an intermediate mounting ring prevents the outer ring from tilting and swivelling when the bearing and shaft assembly is introduced into the housing bore ([fig. 29](#)). The balls of larger self-aligning ball bearings in the 12 and 13 series protrude from the sides of the bearing, therefore the mounting ring must have a recess.



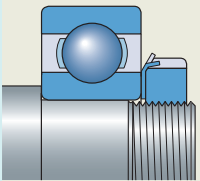
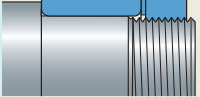

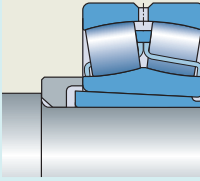
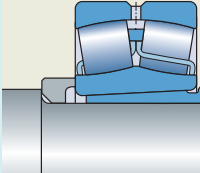
SKF methods and tools

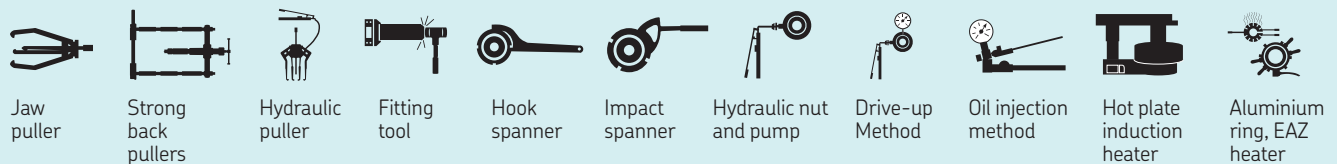
Shaft seat

Mounting tools

Dismounting tools

Mechanical Hydraulic Oil injection Heaters Mechanical Hydraulic Oil injection Heaters

Shaft seat	Bearing size	Mounting tools				Dismounting tools				
		Mechanical	Hydraulic	Oil injection	Heaters	Mechanical	Hydraulic	Oil injection	Heaters	
Cylindrical seat 	Small bearings									
	Medium-size bearings									
	Large bearings									
Cylindrical roller bearing types NU, NJ, NUP, all sizes 										
	Small bearings									
	Medium-size bearings									
Tapered seat 	Large bearings									
	Medium-size bearings									
	Small bearings									
Adapter sleeve 	Large bearings									
	Medium-size bearings									
	Small bearings									
Withdrawal sleeve 	Large bearings									
	Medium-size bearings									
	Small bearings									



Hot mounting

It is generally not possible to mount larger bearings without heating either the bearing or the housing, as the force required to mount a bearing increases considerably with increasing bearing size.

The requisite difference in temperature between the bearing ring and shaft or housing depends on the degree of interference and the diameter of the bearing seat. Generally, open bearings must not be heated to more than 120 °C (250 °F). SKF does not recommend heating bearings capped with seals or shields above 80 °C (175 °F). However, if higher temperatures are necessary, make sure that the temperature does not exceed the permissible temperature of either the seal or grease, whichever is lowest.

When heating bearings, local overheating must be avoided. To heat bearings evenly and reliably, SKF recommends using SKF electric induction heaters (fig. 30). If hot-plates are used, the bearing must be turned over a number of times. The seals on sealed bearings should never contact the heating plate directly. Place a ring between the plate and bearing. Read and follow the safety precautions on page 197.

For additional information about these mounting methods, refer to the *SKF bearing maintenance handbook*.

Mounting adjusted bearing arrangements

The following recommendations refer only to the adjustment of the mounted clearance for bearing arrangements with single row angular contact ball bearings or tapered roller bearings.

The mounted clearance of single row angular contact ball bearings and single row tapered roller bearings is only established when the bearing is adjusted against a second bearing. Usually, they are arranged back-to-back or face-to-face, and one bearing ring is axially displaced until a given clearance or preload is obtained. For information about bearing preload, refer to *Selecting preload*, page 186.

The appropriate value for the clearance to be obtained when mounting depends on the bearing size and arrangement, and operating conditions such as load and temperature. Since there is a definite relationship between the radial and axial clearance of angular contact ball bearings and tapered roller bearings, it is sufficient to specify one value, generally the axial clearance for the arrangement. This specified value is then obtained by measuring the clearance during adjustment and by loosening or tightening a nut on the shaft or a threaded ring in the housing bore or by inserting calibrated washers or shims between one of the bearing rings and its abutment. The actual method used to adjust and measure the clearance depends on whether this is an occasional or repetitive process.

One way to check the axial clearance in a bearing arrangement is to use a dial indicator attached to the hub (fig. 31). When adjusting tapered roller bearings and measuring clearance, the shaft or housing should be turned through several revolutions in

both directions to be sure that there is proper contact of the roller ends with the guide flange on the inner ring. Without proper contact, the measured result will not be correct.

Mounting bearings with a tapered bore

For bearings with a tapered bore, inner rings are always mounted with an interference fit. The degree of interference is determined by how far the bearing is driven up onto a tapered shaft seat or an adapter or withdrawal sleeve. As the bearing is driven up the tapered seat, its radial internal clearance is reduced. This reduction in clearance, or the axial drive-up distance, can be measured to determine the degree of interference and the proper fit. Recommended values of clearance reduction and axial drive-up are listed in the relevant product section.

The SKF Drive-up Method is a reliable and well-proven method for mounting SKF bearings on tapered seats. For additional information, refer to the *SKF Drive-up Method Program* (skf.com/drive-up).

Small and medium-size bearings

Bearings with bore diameters up to 80 mm ($d \leq 80$ mm), can be driven up onto a tapered seat using either a bearing fitting tool or, preferably, a lock nut. For adapter sleeves, use the sleeve nut that can be tightened with a hook or impact spanner. Withdrawal sleeves can be driven into the bearing bore using a bearing fitting tool or a nut. Starting from a 50 mm thread, SKF hydraulic nuts can also be used.

Medium-size and large bearings

Larger bearings, with bore diameters greater than 80 mm ($d > 80$ mm), require considerably more force to mount. Therefore, SKF hydraulic nuts should be used. Where applicable, SKF also recommends using shafts and sleeves with grooves and ducts for the oil injection method. When combining the two methods, bearing mounting and dismounting becomes much faster, easier and safer. For additional information about the oil injection equipment required for both the hydraulic nut and the oil injection method, refer to skf.com/mapro and skf.com/mount.

Fig. 30

SKF electric induction heater

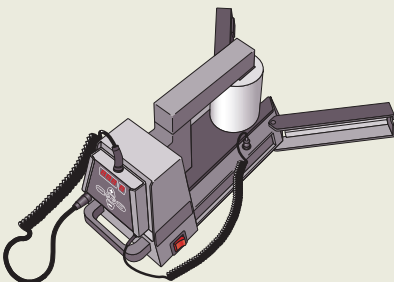
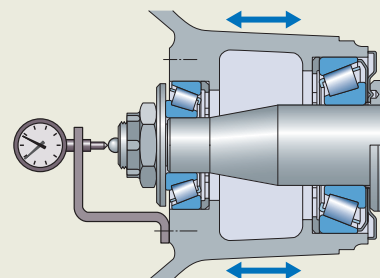


Fig. 31

Checking of axial clearance using a dial indicator



B.8 Sealing, mounting and dismounting

Mounting with SKF hydraulic nuts

Bearings with a tapered bore can be mounted with the aid of an SKF hydraulic nut:

- on a tapered shaft seat (fig. 32)
- on an adapter sleeve (fig. 33)
- on a withdrawal sleeve (fig. 34)

The hydraulic nut can be positioned onto a threaded section of the shaft (fig. 32), or onto the thread of a sleeve (fig. 33 and fig. 34). The annular piston abuts the inner ring of the bearing (fig. 32 and fig. 33) or a stop on the shaft, which can be either a nut on a shaft thread (fig. 34) or a plate attached to the end of the shaft. Pumping oil into the hydraulic nut displaces the piston axially with the force needed to drive the inner ring up the taper for accurate and safe mounting.

Oil injection method

With the oil injection method, oil under high pressure is injected via ducts and distribution grooves between the bearing and bearing seat to form an oil film. This oil film separates the mating surfaces and considerably reduces the friction between them. This method is typically used when mounting bearings directly on tapered shaft seats (fig. 35). The necessary ducts and grooves should be an integral part of the shaft design. This method can also be used to mount bearings on adapter or withdrawal sleeves if they are equipped with the relevant features, ducts and grooves.

A spherical roller bearing mounted on a withdrawal sleeve with oil ducts is shown in fig. 36. Oil is injected between all mating surfaces so that the withdrawal sleeve can be pressed into the bearing bore as the bolts are tightened.

Verifying the interference fit

During mounting, the degree of interference is normally determined by one of the following methods:

- measuring the clearance reduction
- measuring the lock nut tightening angle
- measuring the axial drive-up
- measuring the inner ring expansion

For self-aligning ball bearings, feeling the clearance reduction by swivelling the outer ring is an additional method (*Mounting*, page 447).

Fig. 32

Mounting on tapered seat with aid of a hydraulic nut

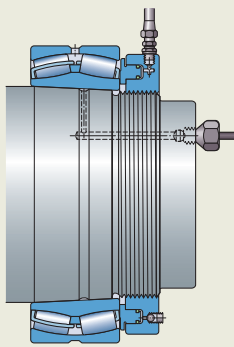


Fig. 33

Mounting on adapter sleeve with aid of a hydraulic nut

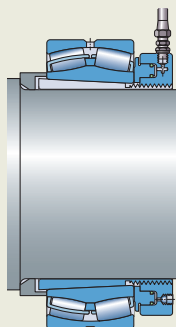


Fig. 34

Mounting on withdrawal sleeve with aid of a hydraulic nut

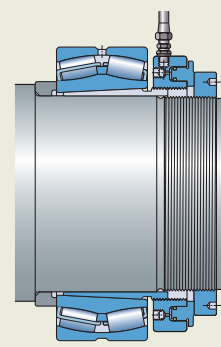


Fig. 35

Mounting on tapered seat with aid of oil injection

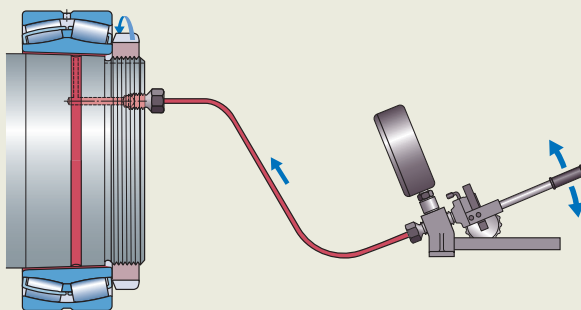
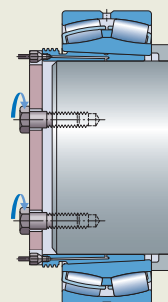


Fig. 36

Mounting on withdrawal sleeve with aid of oil injection



Measuring the clearance reduction

A feeler gauge is most often used to measure the radial internal clearance in medium-size and large spherical and CARB toroidal roller bearings. Recommended values for the reduction of radial internal clearance to obtain the correct interference fit are listed in the relevant product section.

Before mounting, measure the clearance between the outer ring and upper-most roller (fig. 37). During mounting, measure the clearance between the inner or outer ring and lowest roller, depending on the bearing internal design (fig. 38).

Before measuring, rotate the inner or outer ring a few times. Both bearing rings and the roller complement must be centrally arranged relative to each other.

For larger bearings, especially those with a thin-walled outer ring, the measurements are affected by the elastic deformation of the rings, caused by the weight of the bearing or the force to draw the feeler gauge blade through the gap between the raceway and an unloaded roller. To establish the “true” clearance before and after mounting, use the following procedure (fig. 39):

- 1 Measure the clearance “c” at the 12 o’clock position for a standing bearing or at the 6 o’clock position for an unmounted bearing hanging from the shaft.
- 2 Measure the clearance “a” at the 9 o’clock position and “b” at the 3 o’clock position without moving the bearing.
- 3 Obtain the “true” radial internal clearance with relatively good accuracy from $0,5(a + b + c)$.

Measuring the lock nut tightening angle

This method can be used when mounting bearings with a bore diameter $d \leq 120$ mm. Recommended values for the tightening angle α are listed in the relevant product section.

Before starting the final tightening procedure, push the bearing up onto the tapered seat until it is firmly in position. By tightening the nut through the recommended angle α (fig. 40), the bearing is driven up over the proper distance on the tapered seat. The bearing inner ring then has the requisite interference fit. The residual clearance should be checked if possible.

Fig. 39

Procedure to establish the “true” clearance before and after mounting

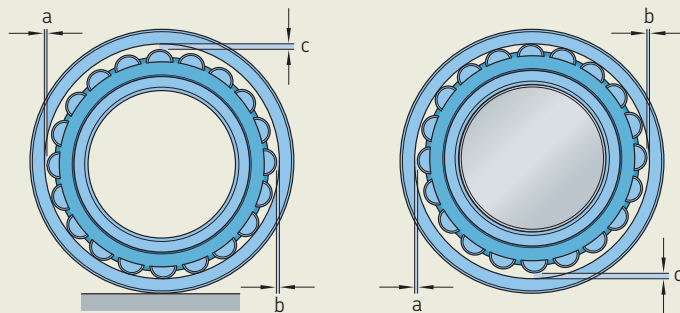


Fig. 37

Measuring of internal clearance before mounting

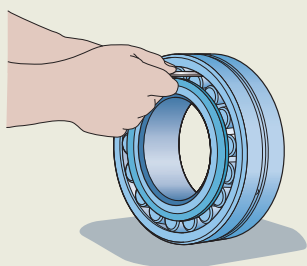


Fig. 38

Measuring of internal clearance during mounting

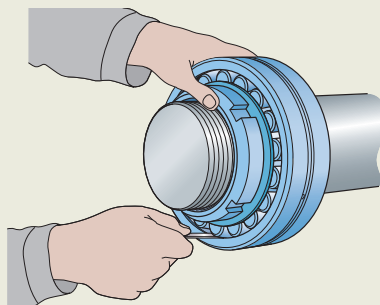
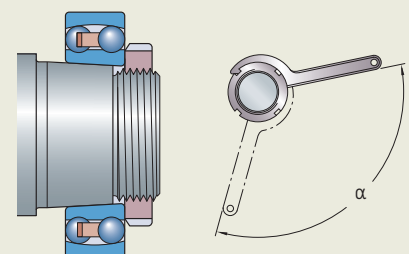


Fig. 40

Tightening angle α



B.8 Sealing, mounting and dismounting

Measuring the axial drive-up

Bearings with a tapered bore can be mounted by measuring the axial drive-up of the inner ring on its seat. Recommended values for the required axial drive-up are listed in the relevant product section.

However, the SKF Drive-up Method is recommended for medium-size and large bearings. This method provides a reliable and easy way to determine the degree of interference. The correct fit is achieved by controlling the axial displacement of the bearing from a pre-determined position. The equipment for the SKF Drive-up Method is shown in [fig. 41](#). It includes an SKF hydraulic nut (1) fitted with a dial indicator (2), and a hydraulic pump (3) fitted with a pressure gauge (4).

The SKF Drive-up Method is based on a two-step mounting procedure ([fig. 42](#)):

- Step 1
Push the bearing to its starting position by applying the prescribed pressure to the hydraulic nut.
- Step 2
Increase the pressure on the hydraulic nut so the bearing inner ring is pushed further on its tapered seat to its final position. The prescribed displacement is measured by the dial indicator.

Recommended values for the requisite oil pressure to reach the start position and the axial displacement to reach the final position for individual bearings are available from the *SKF Drive-up Method Program* (skf.com/drive-up).

Measuring the inner ring expansion

Measuring the inner ring expansion is a quick and accurate method for determining the correct position of large spherical and CARB toroidal roller bearings on their seats ($d \geq 340$ mm, depending on the series). To apply this method, use common hydraulic mounting tools and a SensorMount, which consists of a bearing with a sensor embedded in the inner ring and a dedicated hand-held indicator ([fig. 43](#)). Aspects such as bearing size, shaft material and design (solid or hollow), and surface finish do not need any special consideration.

Test running

Once assembly is complete, an application should undergo a test run to determine that all components are operating properly. During a test run, the application should run under partial load and, where there is a wide speed range, at low or moderate speeds.

IMPORTANT: A rolling bearing should never be started up unloaded and then rapidly accelerated to high speed, as there is a significant risk that the rolling elements will slide and damage the raceways. A minimum bearing load needs to be applied (refer to *Minimum load* in the relevant product section).

Any noise or vibration can be checked using SKF condition monitoring equipment. Normally, bearings produce an even “purring” noise. Whistling or screeching indicates inadequate lubrication. An uneven rumbling or hammering is, in most cases, caused by the presence of contaminants in the bearing or to bearing damage caused during mounting.

An increase in bearing temperature immediately after start-up is normal. In the case of grease lubrication, the temperature does not drop until the grease has been evenly distributed in the bearing arrangement, after which an equilibrium temperature is reached. Unusually high or constantly peaking temperatures indicate too much lubricant in the arrangement, too heavy preload or that the bearing is radially or axially distorted. Other causes could be that associated components have not been made or mounted correctly, or that the seals are generating too much heat.

Fig. 41

Equipment for the SKF Drive-up Method

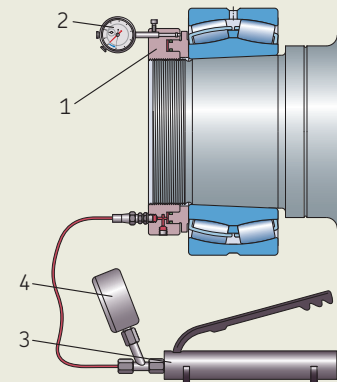


Fig. 42

Two-step mounting procedure for the SKF Drive-up Method

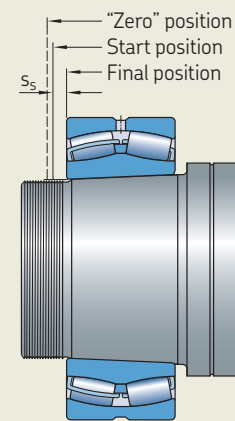
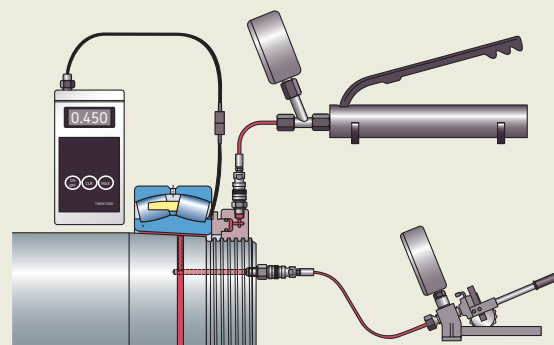


Fig. 43

Mounting with SKF SensorMount



During the test run, or immediately afterwards, check the seals, any lubrication systems and all fluid levels. If noise and vibration levels are severe, it is advisable to check the lubricant for signs of contamination.

Machines on standby

Machines on standby should be rotated or run as frequently as possible to redistribute the lubricant within the bearings and change the position relative to the raceways to reduce the risk of false brinelling and stand-still corrosion.

Dismounting

There are several reasons why bearings may need to be dismounted. For example, the bearings may need to be replaced or they may have to be removed to access other components. If bearings are to be used again after dismounting, the force used to dismount them must never be applied through the rolling elements.

With separable bearings, the ring with the rolling element and cage assembly can be removed independently of the other ring. With non-separable bearings, the ring having the looser fit should be withdrawn from its seat first. To dismount a bearing with an interference fit, the tools described in the following section can be used. The choice of tools depends on the bearing type, size and fit ([table 2, page 202](#)). Bearing sizes are categorized as follows:

- small → $d \leq 80$ mm
- medium-size → $80 \text{ mm} < d < 200$ mm
- large → $d \geq 200$ mm

Dismounting bearings fitted on a cylindrical shaft seat

Cold dismounting

Small bearings can be dismounted from a shaft by applying light hammer blows via a suitable drift to the ring side face, or preferably by using a mechanical puller. The claws must be applied to the inner ring or an adjacent component ([fig. 44](#)). Dismounting is made easier if slots for the claws of a puller are provided in the shaft and/or housing shoulders. Alternatively, tapped holes in the housing shoulder can be provided to accommodate push-out bolts ([fig. 45](#)).

Medium-size and large bearings generally require greater force than a mechanical tool can provide. Therefore, SKF recommends using either hydraulically assisted tools or the oil injection method, or both. Using the oil injection method assumes that the necessary oil supply ducts and distribution grooves have been designed into the shaft ([fig. 46](#)).

Fig. 44

Dismounting with aid of a mechanical puller

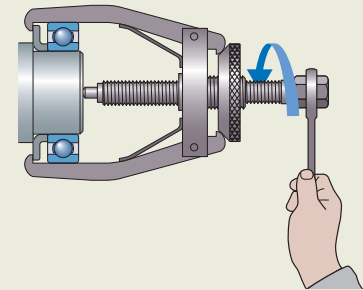


Fig. 45

Dismounting with aid of push-out bolts

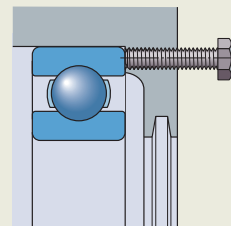
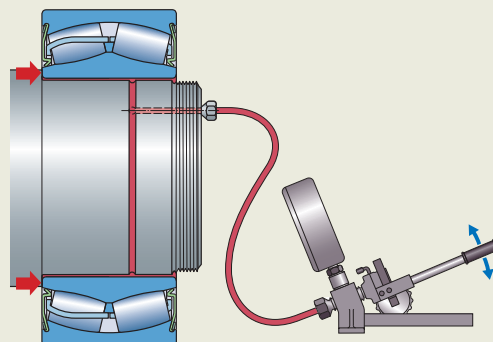


Fig. 46

Dismounting with aid of oil injection



B.8 Sealing, mounting and dismounting

Hot dismounting

Dismounting by heating is a suitable method when removing the inner rings of needle roller bearings or cylindrical roller bearings of the type NU, NJ and NUP. Two different tools for this purpose are common: heating rings and adjustable induction heaters.

Heating rings are typically used to mount and dismount the inner ring of small to medium-size bearings that are all the same size. Heating rings are made of light alloy. They are radially slotted and equipped with insulated handles (fig. 47).

If inner rings with different diameters are dismounted frequently, SKF recommends using an adjustable induction heater. These heaters (fig. 48) heat the inner ring rapidly without heating the shaft.

Special, fixed induction heaters have been developed to dismount the inner rings of large cylindrical roller bearings (fig. 49).

Induction heaters and heating rings are available from SKF. For additional information, refer to the *SKF bearing maintenance handbook* or skf.com/mapro.

⚠ WARNING

Fire hazard. Never use an open flame for hot dismounting.

Dismounting bearings fitted on a tapered shaft seat

Small bearings can be dismounted using a mechanical or hydraulic puller that engages the inner ring. Self-centring pullers equipped with spring-operated arms should be used to simplify the procedure and avoid damage to the bearing seat. If it is not possible to apply the claws of the puller to the inner ring, withdraw the bearing via the outer ring or use a puller in combination with a pulling plate (fig. 50).

It is much easier and safer to dismount medium-size and large bearings when the oil injection method is used. This method injects oil, under high pressure, between the two tapered mating surfaces, via a supply duct and a distribution groove. This significantly reduces the friction between the two surfaces and separates the bearing from its seat (fig. 51).

⚠ WARNING

To avoid the risk of serious injury, attach a provision such as a lock nut or end plate to the shaft end to limit the bearing travel when it suddenly comes loose.

Fig. 47

Heating ring

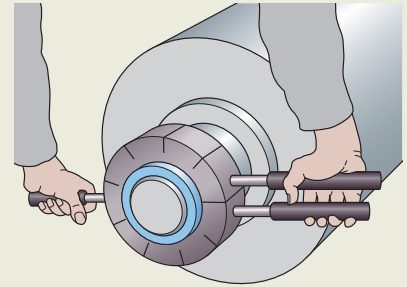


Fig. 48

Adjustable induction heater

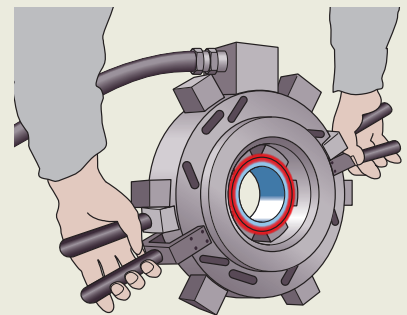


Fig. 49

Special fixed induction heater

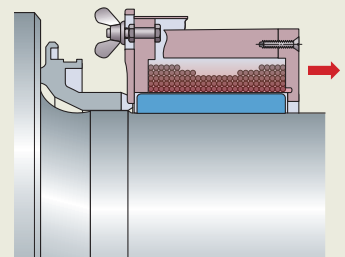


Fig. 50

Dismounting with aid of a puller

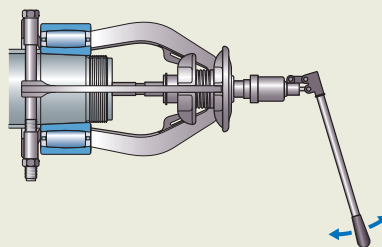
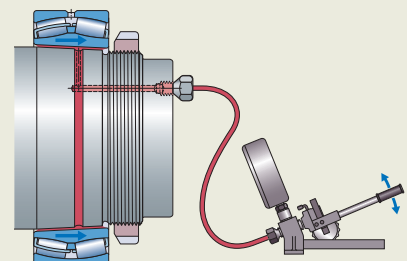


Fig. 51

Dismounting with aid of oil injection – a stop is provided



Dismounting bearings fitted on an adapter sleeve

To dismount small bearings fitted on an adapter sleeve and a plain shaft, loosen the sleeve lock nut a few turns, then use a hammer of suitable size to tap a small steel block evenly around the bearing inner ring side face (fig. 52).

For small bearings fitted on an adapter sleeve and a stepped shaft with a spacing collar between the shoulder and the bearing side face, loosen the adapter sleeve lock nut a few turns and apply a couple of sharp hammer blows to a bearing fitting tool abutting the sleeve lock nut (fig. 53).

Using a hydraulic nut for dismantling bearings fitted on an adapter sleeve and a stepped shaft with a spacing collar makes bearing dismantling easy. However, to use this method, you should mount a suitable stop that abuts the piston of the hydraulic nut (fig. 54). If the sleeves are provided with oil supply ducts and distribution grooves, dismantling becomes easier because the oil injection method can be used.

Fig. 52

Dismounting by tapping a small steel block with an appropriate hammer

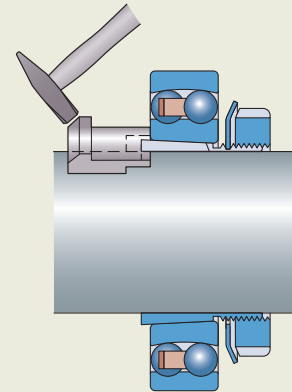


Fig. 53

Dismounting by a couple of sharp hammer blows applied to a bearing fitting tool abutting the sleeve lock nut

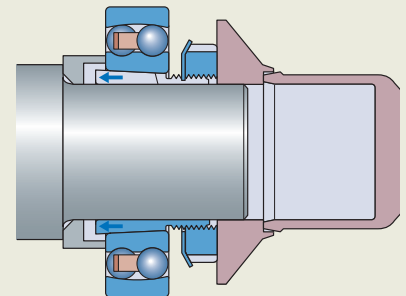
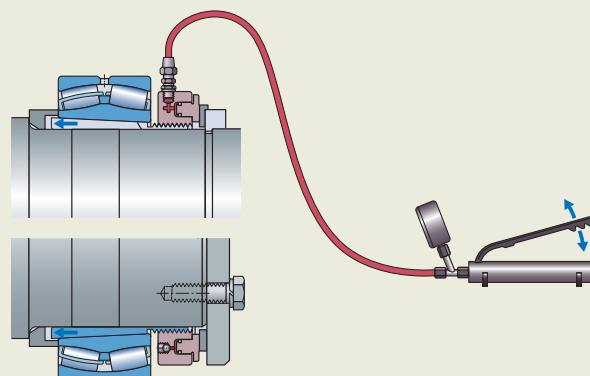


Fig. 54

Dismounting from adapter sleeve with aid of a hydraulic nut



Dismounting bearings fitted on a withdrawal sleeve

When dismounting a bearing fitted on a withdrawal sleeve, the locking device (for example a lock nut or end plate) must be removed.

Small and medium-size bearings can be dismounted with a lock nut and a hook or impact spanner (fig. 55).

Medium-size and large bearings fitted on a withdrawal sleeve can be easily dismounted using a hydraulic nut.

Withdrawal sleeves with a bore diameter ≥ 200 mm are provided, as standard, with two oil supply ducts and distribution grooves in both the bore and outside surface. When using the oil injection method, two hydraulic pumps or oil injectors and appropriate extension pipes are needed (fig. 56).

⚠ WARNING

To avoid the risk of serious injury, attach a stop behind the hydraulic nut at the shaft end (fig. 57). The stop prevents the withdrawal sleeve and hydraulic nut from shooting off the shaft if the sleeve separates suddenly from its seat.

Fig. 55

Dismounting with a lock nut and a hook or impact spanner

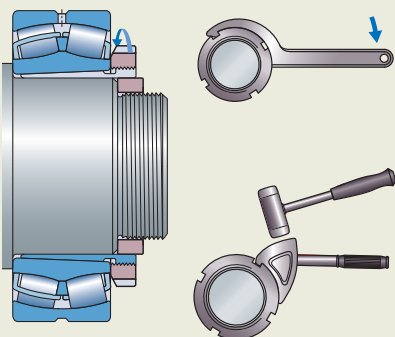


Fig. 56

Dismounting from withdrawal sleeve with oil injection

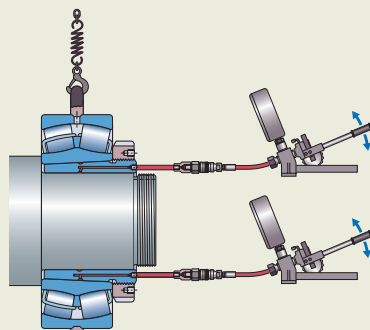
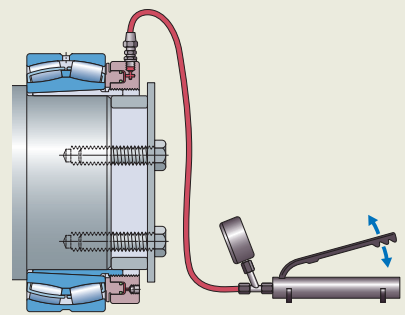


Fig. 57

Dismounting from withdrawal sleeve with aid of a hydraulic nut



Inspection and monitoring

This section describes various aspects of inspecting and monitoring bearings in operation for the purpose of preventing problems. It also gives an introduction to troubleshooting and links to more detailed troubleshooting procedures.

Inspection during operation

Spotting early indications of bearing damage makes it possible to replace bearings during regularly scheduled maintenance. This avoids otherwise costly unscheduled machine downtime if a bearing fails. Important parameters for monitoring machine condition include noise, temperature and vibration.

Bearings that are worn or damaged usually exhibit identifiable symptoms (*Troubleshooting*, page 213). There can be a number of possible causes and this section helps identify some of these.

For practical reasons, not all machines or machine functions can be monitored using advanced systems. In these cases, trouble can be detected by looking at or listening to the machine. However, if deterioration can be detected by human senses, damage may already be extensive. Using objective technologies, such as advanced vibration analysis, means damage can be detected before it becomes problematic (*diagram 1*). By using condition-monitoring instruments and the SKF enveloped acceleration technology, the pre-warning time can be maximized.

An example of how damage can progress is shown in *fig. 58* and shown conceptually in *diagram 1*. A damage scenario may follow this sequence:

- 1 Bearing starts to show abrasive wear.
- 2 First spall, detected by SKF enveloped acceleration technology.
- 3 Spalling has developed to an extent that the damage can be detected by standard vibration monitoring.
- 4 Advanced spalling causes high vibration and noise levels and an increase in operating temperature.

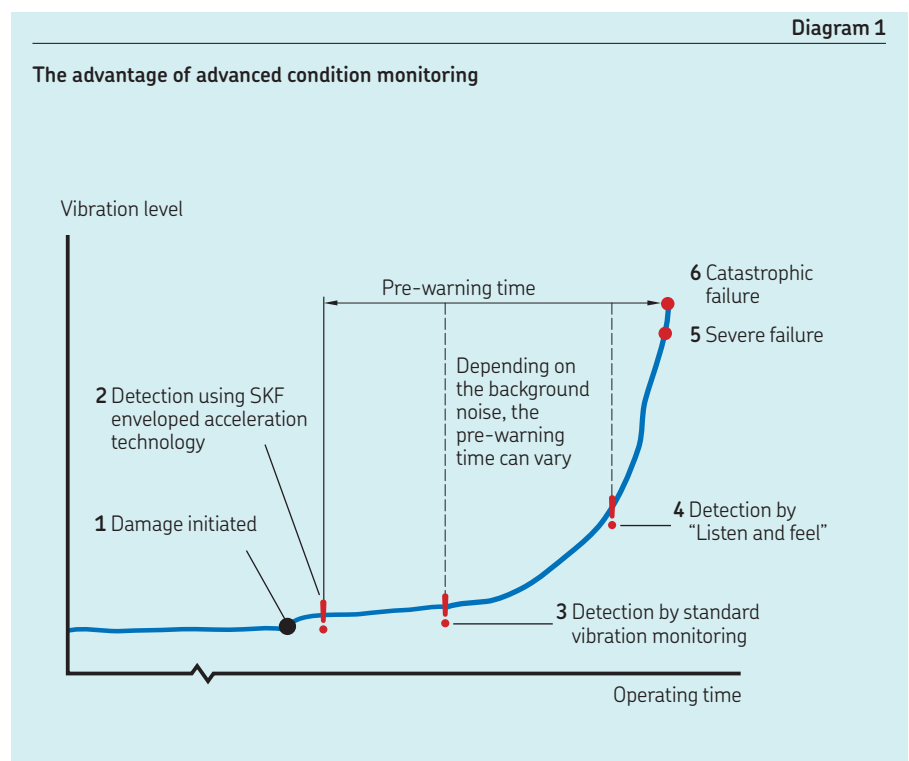
- 5 Severe damage occurs: fatigue fracture of the bearing inner ring.
- 6 Catastrophic failure occurs with secondary damage to other components.

Vibration monitoring is based on three fundamental facts:

- All machines vibrate.
- The onset of a mechanical problem is generally accompanied by an increase in vibration levels.
- The nature of the fault can be determined by analyzing the vibration characteristics.

Monitoring noise and vibration

A common method used to try to identify deterioration or damage in a bearing is to listen. Bearings in good condition produce a soft purring noise. Grinding, squeaking and other irregular sounds usually indicate that the bearings are in poor condition, or that something is wrong. However, sound monitoring is of limited use. SKF recommends vibration monitoring. It is more thorough and allows better monitoring of bearings and rotating equipment.



B.8 Sealing, mounting and dismounting

Monitoring temperature

It is important to monitor the operating temperature at bearing positions. If the operating conditions have not been altered, a sudden increase in temperature is often an indication of developed bearing damage and possible imminent failure of the bearing. However, keep in mind that a natural temperature rise can last up to one or two days immediately after first machine start-up and after each relubrication when using grease.

Monitoring lubrication conditions

Bearings can only achieve maximum performance levels with adequate lubrication. The lubrication conditions of a bearing should therefore be monitored closely. The condition of the lubricant itself should also be assessed periodically, preferably by taking samples and having them analysed.

SKF recommends the following general guidelines for lubrication-related inspection activities:

- Check for lubricant leaks in the areas surrounding the bearing positions.
- Keep protective collars and labyrinth seals filled with grease for maximum protection.
- Check that automatic lubricating systems are functioning properly and providing the appropriate amount of lubricant to the bearings.
- Check the lubricant level in sumps and reservoirs, and replenish as necessary.
- Where manual grease lubrication is employed, relubricate according to schedule.
- Where oil lubrication is used, change oil according to schedule.
- Always make sure that the specified lubricant is used.

Inspection during a machine shutdown

When a machine is not in operation, it is an opportunity to assess the condition of bearings, seals, seal counterfaces, housings, and lubricant. A general inspection can often be done by removing a housing cover or cap. If a bearing appears to be damaged, it should be dismantled and thoroughly inspected.

Shaft and belt alignment, and a thorough inspection of the machine foundation and exterior, can also be done during a machine shutdown.

Any condition, whether it is a missing shim or a deteriorating foundation, can negatively affect machine performance. The sooner any problem is identified, the sooner corrective action can begin. It is far less costly to replace bearings and associated components during a regularly scheduled shutdown than during unscheduled downtime that unexpectedly takes the machine out of service.

Inspecting bearings

Bearings are not always easily accessible. However, when bearings are partially or fully exposed, visual checks can be made. The most practical time to inspect bearings is during routine maintenance.

When inspecting a mounted bearing, SKF recommends following these general guidelines:

- **Preparation**
 - Clean the external surface of the machine.
 - Remove the housing cover, or the housing cap, to expose the bearing.
 - Take lubricant samples for analysis. For oil lubrication, take samples from the sump/reservoir. For grease lubricated open bearings, take samples from various positions within the bearing and surroundings. Inspect the condition of the lubricant. Impurities can often be detected by spreading a thin layer of the lubricant on a sheet of paper and examining it under a light.
 - Clean the exposed external surfaces of the bearing with a lint-free cloth.

- **Inspection**

- Inspect the exposed external surfaces of the bearing for corrosion. Inspect the bearing rings for any abnormal signs.
- For sealed bearings, inspect the seals for wear or damage.
- Where possible, rotate the shaft very slowly and feel for uneven resistance in the bearing; an undamaged bearing turns smoothly.

- **Detailed inspection of grease lubricated bearings**

Grease lubricated open bearings in split plummer blocks can be subjected to a more detailed in-situ inspection as follows:

- Remove all grease around the bearing.
- Remove as much grease from the bearing as possible using a non-metallic scraper.
- Clean the bearing with a petroleum-based solvent by spraying the solvent into the bearing. Rotate the shaft very slowly while cleaning it, and continue to spray until the solvent ceases to collect dirt and grease. For large bearings that contain a build-up of severely oxidized lubricant, clean them with a strong alkaline solution containing up to 10% caustic soda and 1% wetting agent.
- Dry the bearing, and surrounding parts, with a lint-free cloth or clean, moisture-free compressed air (but do not rotate or spin the bearing).
- Inspect the bearing raceways, cage(s) and rolling elements for spalls, marks, scratches, streaks, discolouration and mirror-like areas. Where applicable, measure the radial internal clearance of the bearing (to determine if wear has taken place) and confirm that it is within the expected range.
- If the condition of the bearing is satisfactory, apply the appropriate grease to the bearing and the housing and immediately close the housing. If bearing damage is evident, dismantle the bearing and protect it from corrosion. Then conduct a full analysis.

- **General recommendations**

- Take photographs throughout the inspection process to help document the condition of the bearing, lubricant and machine in general.
- Check the condition of the grease at different places and compare with fresh grease (fig. 59). Keep a representative sample of the grease for further analysis.
- Certain large and medium-size bearings are suitable for reconditioning. For additional information, refer to the *SKF bearing maintenance handbook* and publication *SKF Remanufacturing Services*.

Inspecting seal counterfaces

To be effective, a seal lip must run on a smooth counterface. If the counterface is worn or damaged, the seal lip will cease to function properly.

When inspecting the seal counterface, also check for corrosion, shaft wear, scratches, dents, lip wear, lip tears and so on. If corrosion is evident but not severe, use a fine wet/dry abrasive paper to remove it, and then make sure all remnants are also removed. Worn counterface parts of the shaft can be repaired using SKF Speedi-Sleeve.

⚠ WARNING

Avoid inhaling, ingesting or contacting solvents and alkaline solutions. These can cause skin and eye burns or damage to respiratory or digestive tract. If necessary, seek medical assistance.

Troubleshooting

Bearings that are not operating properly usually exhibit identifiable symptoms. The best way to identify these symptoms, and take corrective action at an early stage, is to establish a plant-wide condition monitoring programme.

In cases where condition monitoring equipment is not available or practical, the section *Troubleshooting* of the *SKF bearing maintenance handbook* presents some useful hints to help identify the most common symptoms, their causes and, whenever possible, some practical solutions. Depending on the degree of bearing damage, some symptoms may be misleading and, in many cases, are the result of secondary damage. To effectively troubleshoot bearing problems, it is necessary to analyse the symptoms according to those first observed in the application. This is dealt with in more detail in the publication *Bearing damage and failure analysis*.

Fig. 59

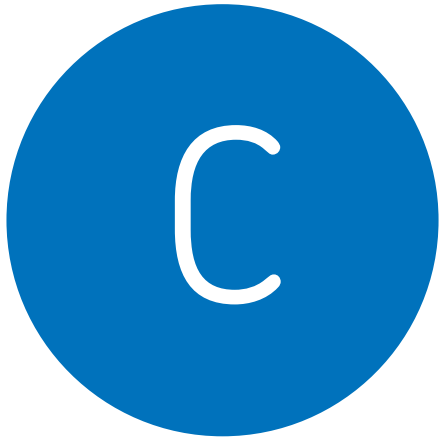
Condition of the grease



Fresh grease:
brown colour



Used grease:
colour turned
greyish



Bearing selection examples

Bearing selection examples

C.1 Vibrating screen.....	216
C.2 Rope sheave.....	222
C.3 Centrifugal pump.....	228

This section contains several worked examples that show the *Bearing selection process*, [page 60](#), applied to various machines and application cases.

Each example is presented as a number of steps that generally follows the sequence in the bearing selection process. However, interdependencies in any particular application case may require looping back and forth between the process steps and where this occurs it is fully described in the example.

C.1 Vibrating screen

This example shows the bearing selection process applied to an application case in which a vibrating screen manufacturer is selecting the bearings for a new machine.

The steps in the example follow the sequence in the bearing selection process. Refer to sections [B.1 – B.8](#) for a full description of each process step.

Performance and operating conditions



The new machine is a free circular motion vibrating screen. The vibrator unit is composed of a shaft with two bearings and counterweights. This means the main radial load rotates with the shaft while the outer ring is stationary. The application drawing is shown in [fig. 1](#).

The relevant performance requirements, operating conditions and input parameters for the bearing selection are:

- mass of screen box without charge: $G = 6\,100\text{ kg}$
- shaft diameter: 140 mm
- rotational speed: $n = 756\text{ r/min}$
- angular velocity ($n \times 2\pi/60$): $\omega = 79,2\text{ rad/s}$
- radius of vibration: $r = 8,1\text{ mm}$
- distance between the centres of gravity of the counterweights and shaft axis: $R = 80\text{ mm}$
- distance between the bearings: 3 m
- lubrication method: grease
- operating temperature of the bearings: $T = 75\text{ °C (165 °F)}$
- environment: the screen may be located outdoors, in harsh, dusty and humid conditions
- required SKF rating life: $20\,000\text{ h}$

Bearing type and arrangement



A locating/non-locating bearing arrangement is used. The bearing on the drive side is the locating bearing. This limits axial displacement of the transmission pulley, which saves energy and increases belt life. The opposite bearing is non-locating to accommodate axial displacement caused by thermal expansion of the shaft.

The distance between the bearings is 3 metres, and the vibrating screen structure is made of welded and bolted steel parts. Shaft deflection and misalignment of supports under load require bearings that can compensate for misalignment.

Spherical roller bearings are selected for this new vibrating screen ([fig. 2](#)), which is the typical solution. They can carry high loads and accommodate misalignment between the inner and outer ring without any reduction of their service life.

Fig. 1

Free circular motion vibrating screen

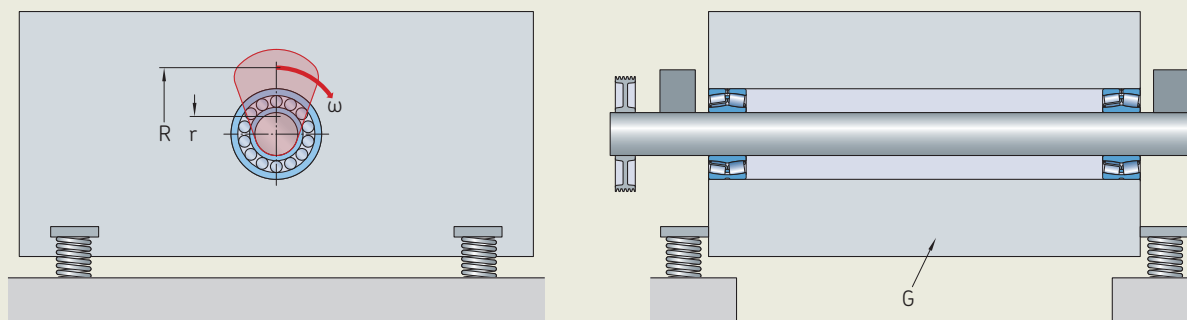
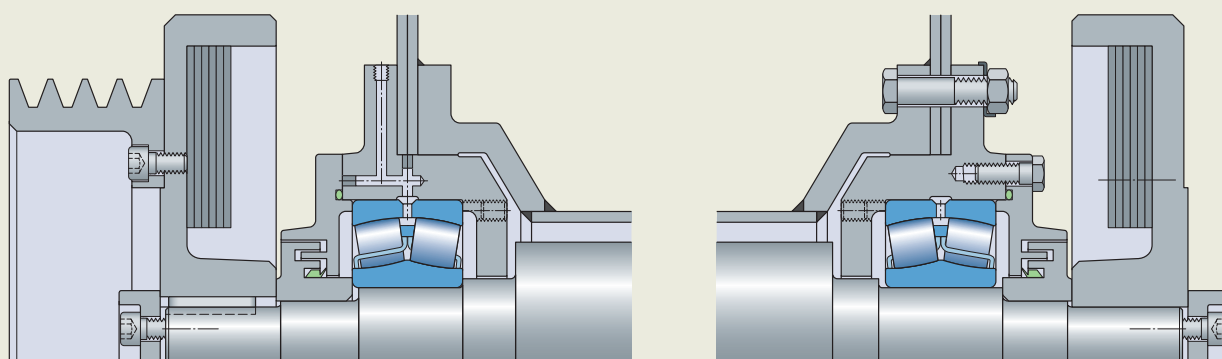


Fig. 2

Bearing arrangement



Bearing size



A shaft diameter of 140 mm is needed to transmit the required shaft drive torque and limit shaft deflection.

SKF supplies bearings in the 223 series for vibratory applications. Based on the required shaft diameter, the 22328 CCJA/W33VA405 is selected. We will check its size using the SKF rating life.

Product data for 22328 CCJA/W33VA405 is on [page 800](#).

For vibrating screens, the equivalent dynamic bearing load, P, can be estimated using:

$$P = \left(\frac{1,2 \times G \times r \times \omega^2}{2} \right) = \left(\frac{1,2 \times 6\,100 \times 0,0081 \times 79,2^2}{2} \right) = 186 \text{ kN}$$

The load ratio $C/P = 1\,357/186 = 7,3$

SKF rating life

$$L_{10mh} = a_{SKF} L_{10h}$$

1. Lubrication condition – the viscosity ratio, κ

$$\kappa = v/v_1$$

The rated viscosity $v_1 = 10 \text{ mm}^2/\text{s}$ ([diagram 14, page 101](#)).

A viscosity ratio, κ , of about 4 is targeted to operate in full film lubrication conditions, therefore v should be about $40 \text{ mm}^2/\text{s}$.

You need to verify the viscosity ratio after you have selected your lubricant.

2. Contamination factor, η_c

Given:

- contamination conditions are typical (i.e. open bearings, no filtering, wear particles and ingress from surrounding and harsh environment)
- $d_m = 220 \text{ mm}$

then, using [table 6, page 105](#), $\eta_c = 0,2$

3. Life modification factor, a_{SKF}

Given:

- $\kappa = 4$
- $\eta_c P_{UL}/P = 0,2 \times 132/186 = 0,14$
- 22328 CCJA/W33VA405 is an SKF Explorer bearing

then, using [diagram 10, page 97](#), for radial roller bearings, $a_{SKF} = 1,3$

$$L_{10mh} = a_{SKF} \left(\frac{10^6}{60 n} \right) \left(\frac{C}{P} \right)^{10/3}$$

$$= 1,3 \times (10^6 / (60 \times 756)) (7,3)^{10/3} = 21\,500 \text{ h} > 20\,000 \text{ h}$$

Conclusion

SKF bearing 22328 CCJA/W33VA405 is a suitable size to meet the rating life requirements.

Lubrication



Selecting grease or oil

On [page 113, table 1](#) provides limits for the nd_m value, up to which grease lubrication is normally a suitable solution in terms of relubrication intervals at normal temperatures.

Input values:

- spherical roller bearing in the 223 series
- $C/P = 7,3$
- $n d_m = 756 \times (140 + 300)/2 = 166\,320$

From [table 1, page 113](#), the recommended nd_m limit for $C/P \approx 8$ is 150 000, which is somewhat below the actual nd_m value. The operating conditions are at the limits where grease lubrication is suitable, and you can expect short relubrication intervals. But this is not an issue for vibrating screens, and you can select grease lubrication.

Grease selection

You can find a suitable SKF grease using the *SKF bearing grease selection chart*, [page 124](#). Grease selection criteria are:

- temperature: 75°C (165°F) \rightarrow M
- speed: $n d_m \approx 166\,000 \rightarrow$ M to H
- load: $C/P \approx 8 \rightarrow$ M
- severe vibrations
- humid outdoor conditions \rightarrow good rust inhibiting properties

SKF LGEP2 is a suitable choice provided a viscosity ratio, κ , of 4 is confirmed.

LGEP2 has the following properties:

- $v = 200 \text{ mm}^2/\text{s}$ at 40°C (105°F)
- $v = 16 \text{ mm}^2/\text{s}$ at 100°C (210°F)
- operating viscosity at 75°C (165°F) is around $40 \text{ mm}^2/\text{s}$, based on [diagram 13, page 100](#).
- $\kappa = v/v_1 = 40/10 = 4$ is confirmed

Relubrication interval and quantity

Experience suggests relubricating the bearings in the vibrating screen every 75 h with 30 g of grease. The short intervals are needed to push out contamination, while the reduced quantity limits heat generation caused by high grease volumes.

Using the standard relubrication interval from [diagram 2, page 112](#), and input values gives:

- $n d_m b_f = 166\,320 \times 2 \approx 330\,000$
- $C/P \approx 8$

The relubrication interval is 1 700 h. This needs to be reduced, with contamination and vibration considered ([table 2, page 115](#)), confirming approximately the experienced values used for vibrating screen bearings.

Relubrication quantity is:

$$G_p = 0,002 D B = 0,002 \times 300 \times 102 = 61 \text{ g}$$

Standard relubrication of the bearings every 75 h with 30 g of grease will maintain adequate lubrication condition.

Initial grease fill

The free volume in the bearing, which should be filled with grease, is approximately:

$$V = \frac{\pi}{4} B (D^2 - d^2) \times 10^{-3} - \frac{M}{7,8 \times 10^{-3}}$$

$$V = 3,14/4 \times 102 \times (300^2 - 140^2) \times 10^{-3} - 36,5/0,0078 = 957 \text{ cm}^3$$

For a filling degree of 50%, you need about 430 g of grease per bearing.

Operating temperature and speed



Experience from similar applications is broad and a bearing operating temperature between 70 to 80 °C (160 to 175 °F) can be assumed.

The screen charge is at ambient temperature and there are no other external sources generating heat. The speed is < 50% of the limiting speed. Although the load ratio $C/P < 10$, no detailed thermal analysis is required.

The actual operating temperature should be checked on the real machine.

The bearing frictional losses are 1 900 W per bearing, calculated with the *SKF Bearing Calculator* (skf.com/bearingcalculator).

Bearing interfaces



The radial load turns in phase with the rotating inner ring, while the outer ring stands still. Therefore, the inner ring has a stationary load condition and the outer ring a rotating load condition. An interference fit is needed between the outer ring and the housing. A loose fit can be used between the inner ring and the shaft.

The standard fit recommendations are listed in [table 1](#).

There are reasons for choosing dimensional tolerances other than the standard fits:

- Choose $f6$ (E) for easy axial displacement of the inner ring. To reduce the risk of fretting corrosion, consider hardening the shaft seat.
- Select $P6$ (E) (tighter tolerances) to improve outer ring support and bearing service life.

Additional recommendations

The following additional factors are recommended:

- The bearing centre should be aligned with the frame centre of the vibrating screen ([fig. 3](#)).
- The housing wall thickness should be greater than 40% of the bearing width.
- Design the housing to be as symmetrical as possible, so it has the same thickness on both sides of the vibrating screen frame, in order to avoid housing deformation ([fig. 4](#)).
- Machine threads in the housing to make it easier when dismantling the housing from the screen body and the bearing of the housing by the use of bolts ([fig. 5](#) and [fig. 6](#), page 220).

Table 1

Seat tolerances for standard conditions

	Dimensional tolerance	Total radial run-out tolerance	Total axial run-out tolerance	Ra
Shaft	$g6$ (E)	IT5/2	IT5	1,6 μm
Housing	$P7$ (E)	IT6/2	IT6	3,2 μm

Fig. 3

Aligning the bearing centrally with the vibrating screen frame

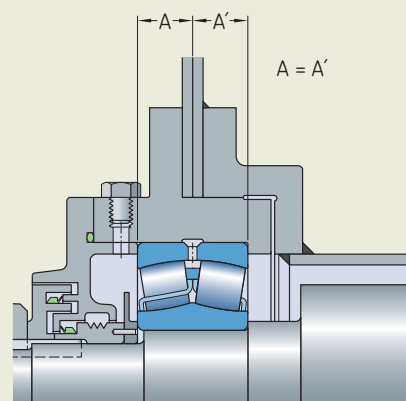
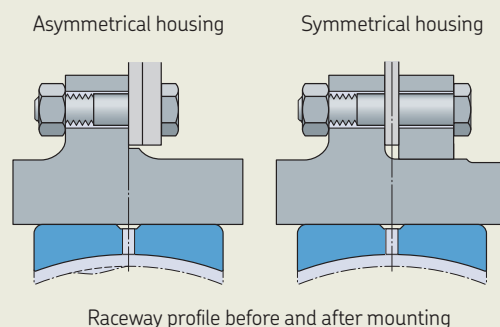


Fig. 4

Symmetrical housing prevents raceway deformation



Bearing execution



The bearing selected for this application is a spherical roller bearing for vibratory applications (*Designs and variants* [page 775](#)).

These bearings are identified by the designation suffixes VA405 and VA406. They have a C4 internal clearance, which is required because of the interference fit of the outer ring in combination with the temperature difference between inner and outer rings, particularly during start-up situations. Their hardened window-type cages reduce friction and wear in the bearing when operating under rotating outer ring load and high acceleration conditions, resulting in a lower operating temperature and longer lubricant life.

The VA406 execution is intended for the non-locating support and has a PTFE coated bore. This helps to prevent fretting corrosion, which can occur because of the loose fit and vibration.

Sealing, mounting and dismounting



Vibrating screen designs generally use labyrinth seals to protect the rolling bearings. With this type of seal, it is important to maintain a sufficient quantity of grease in the labyrinth gaps so that dirt and moisture are kept away from the bearings. Quantities and relubrication intervals should be adjusted according to the operator's observations.

Check the total radial run-out of the housing seat when the housing is mounted to the screen frame. Inadmissible deformation might occur and can require corrective action.

Overall conclusions

- The 22328 CCJA/W33VA405 bearing meets the rating life requirement.
- SKF grease LGEP2 is appropriate for the given operating conditions.
- Maintenance and condition monitoring aspects have not been included in this example. For additional information about SKF offers for vibrating screens, refer to the information on the SKF website under *Industry Solutions*.

Fig. 5

Bolts used to dismount the housing from the screen body

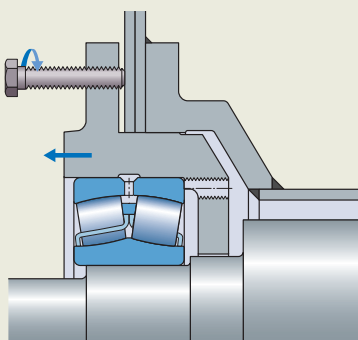
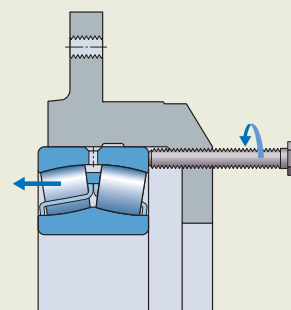


Fig. 6

Bolts used to dismount the bearing from the housing



C.2 Rope sheave

This example shows the bearing selection process applied to an application case in which bearings are to be selected for the rope sheaves on a new paper machine.

A paper machine manufacturer wants to build a new machine using rope sheaves of their standard design. The end customer requires the sheaves to be maintenance free for five years.

The steps in the example follow the sequence in the bearing selection process. Some steps, such as *Bearing size*, require more than one iteration if the calculation is dependent on a subsequent stage in the process. This is indicated in the heading (for example, *Bearing size (step 2)*, [page 224](#)). Refer to sections [B.1 – B.8](#) for a full description of each process step.

Performance and operating conditions

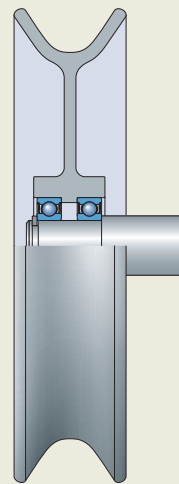


The rope sheaves ([fig. 1](#)) are positioned between rolls/cylinders of the paper machine and rotate all the time that the machine is in operation. In this application the outer ring of each rope sheave rotates continuously. The operating conditions are:

- rotational speed: 2 450 r/min
- radial load: 1,1 kN created by the weight of the sheave and by the rope tension, shared between the bearings
- axial load: zero – because of the orientation of the sheaves, the rope creates no axial load
- environment: hot and humid, with 80 °C (175 °F) ambient temperature

Fig. 1

Traditional rope sheave used in paper machines



Bearing type and arrangement



Because loads are low and speeds moderate, rope sheaves use two deep groove ball bearings. For a long, maintenance-free period sealed bearings are required. SKF deep groove ball bearings are available with various seal executions.

A floating bearing arrangement is used, where each bearing locates the sheave axially in one direction and the whole arrangement is able to move axially over a small distance between the two end positions.

Bearing size



The manufacturer's existing rope sheave design uses two 6207-2RS1 bearings. SKF has replaced the RS1 seal with the RSH seal. In this example we check the suitability of 6207-2RSH bearings ([page 274](#)).

The next step in the selection process is to determine the method, on which to base the size selection. The bearings are running in typical operating conditions and, therefore, rolling contact fatigue is the probable failure mode. We base the size selection on rating life.

Basic rating life

$$L_{10h} = \left(\frac{10^6}{60n} \right) \left(\frac{C}{P} \right)^p$$

As there is no axial load, the equivalent dynamic bearing load, P , on each bearing is equal to the radial load divided by two.

- $P = 0,55 \text{ kN}$
- load ratio $C/P = 49$

The basic rating life $L_{10h} = 804\,800 \text{ h}$. This is much longer than the required maintenance-free period of 5 years (43 800 h).

Conclusion

- With such a high basic rating life at 2 450 r/min, it is recommended to check that the bearing is sufficiently loaded to maintain ball rolling and avoid ball sliding. This will be done after the lubrication is checked, because lubricant viscosity influences the requisite minimum load.
- Grease life should be checked to see if the bearing fulfills the end-customer's requirement.

The SKF rating life, L_{10mh} , will be calculated after the lubrication is checked and the operating temperature and speed are checked, because lubricant viscosity influences the result. This will be done in *Bearing size (step 2)*, [page 224](#).

Lubrication



Bearing 6207-2RSH is filled with MT33 grease ([table 2, page 245](#)). The operating temperature should be defined before continuing.

Operating temperature and speed



When the load ratio $C/P > 10$, the operating temperature is below $100 \text{ }^\circ\text{C}$ ($210 \text{ }^\circ\text{F}$), the operating speed is below 50% of the limiting speed, and there is no pronounced external heat input, a detailed thermal analysis is not required. In this example:

- load ratio: $C/P = 49 > 10$
- operating speed: $2\,450 \text{ r/min} < 0,5 \times 6\,300$ (limiting speed)
- From experience of rope sheaves operating in similar conditions, the bearing operating temperature is about $90 \text{ }^\circ\text{C}$ ($195 \text{ }^\circ\text{F}$).

So a detailed thermal analysis is not required.

Lubrication (step 2)



1. Grease life MT33

Grease life can be estimated using [diagram 1, page 246](#). Because the bearing outer ring rotates, for grease life estimations, nD is used instead of nd_m ([table 2, page 115](#)).

Then, using the input values:

- $nD = 2\,450 \times 72 = 176\,400$
- MT33 grease with a grease performance factor, $GPF = 1$
- operating temperature of about $90 \text{ }^\circ\text{C}$ ($195 \text{ }^\circ\text{F}$)

The grease life, L_{10h} , is about 12 500 hours, which is less than the required 5-year maintenance-free period.

2. Grease life WT

The SKF bearing 6207-2RSH is available with the grease WT, which has a $GPF = 4$. It is a polyurea-type grease with an ester base oil, [table 3, page 245](#).

From [diagram 1, page 246](#) the grease life, L_{10h} , is 50 000 hours, which is greater than 5 years.

Conclusion

The SKF bearing 6207-2RSH with the grease WT fulfills the requirement in terms of grease life.

Bearing size (step 2)



From the conclusions in *Bearing size*, [page 223](#), the minimum load needs to be checked and, now the lubrication has been selected, the SKF rating life can be verified.

Minimum load

Using the minimum load equation from *Loads*, [page 254](#), the minimum load, F_{rm} , is given by:

$$F_{rm} = k_r \left(\frac{v n}{1\,000} \right)^{2/3} \left(\frac{d_m}{100} \right)^2$$

where:

$$k_r = 0,025$$

$$v = 210 \text{ mm}^2/\text{s}$$

When determining the minimum load, to cover all critical operating conditions, use the highest oil viscosity that might occur.

This will be at the lowest temperature, which is 20 °C (70 °F).

Base oil viscosity of WT grease at 40 °C (105 °F) is 70 mm²/s ≈ ISO VG 68. Estimated from [diagram 13, page 100](#), or calculated with the *SKF Bearing Calculator*

(skf.com/bearingcalculator), for WT grease $v = 210 \text{ mm}^2/\text{s}$ at 20 °C (70 °F).

$$d_m = (d+D)/2 = (35+72)/2 = 53,5 \text{ mm}$$

Therefore:

$F_{rm} = 0,44 \text{ kN} < 0,55 \text{ kN}$, so the bearing 6207-2RSH/WT is adequate.

SKF rating life

$$L_{10mh} = a_{SKF} L_{10h}$$

Because $P < P_u$, fatigue is not a factor (*Fatigue load limit*, P_u , [page 104](#)). However, it is useful to verify the lubrication condition (viscosity ratio) and life modification factor.

1. Lubrication condition – the viscosity ratio, κ

$$\kappa = v/v_1$$

The following are used:

- v_1 is determined from [diagram 14, page 101](#)
- with $d_m = 53,5$ and $n = 2\,450 \text{ r/min}$, v_1 is close to 12 mm²/s

For WT, the base oil viscosity at 90 °C (195 °F) can be estimated from [diagram 13, page 100](#), or calculated with the *SKF Bearing Calculator* (skf.com/bearingcalculator) and is 12 mm²/s.

$$\text{Viscosity ratio, } \kappa = 12/12 = 1$$

2. Life modification factor, a_{SKF}

To determine the life modification factor for radial ball bearings, [diagram 9, page 96](#) is used, with:

- $P = 0,55 \text{ kN}$
- $\kappa = 1$
- $P_u = 0,655 \text{ kN}$
- $\eta_c = 0,6$
The contamination factor is chosen based on [table 6, page 105](#).
- SKF 6207-2RSH/WT is an SKF Explorer bearing.

With $\eta_c P_u/P = 0,7$ and using [diagram 9, page 96](#), the a_{SKF} of about 50 is much greater than 1, so the SKF rating life is far above the required life.

Conclusion

The bearing SKF 6207-2RSH/WT is adequate in terms of fatigue life.

Bearing interfaces



The bearing inner rings have a stationary load condition and no spacer between the inner rings in the cross-located arrangement. They are mounted with a loose fit for easy mounting. The recommended fit for standard conditions is g6 \oplus (table 5, page 148).

The outer rings have a rotating load condition, so they are mounted with an interference. The recommended fit for standard conditions is M7 \oplus (table 8, page 151), which has a probable interference range of -25 to +8 (table 20, page 172).

Bearings in rope sheaves of paper machines should always have an interference for the outer ring (application handbook *Rolling bearings in paper machines*). To achieve this select N6 \oplus , which has a probable interference range of -29 to -5 (table 21, page 174). For geometrical tolerances and surface roughness, standard recommendations can be applied.

The tolerances for the bearing seats are:

	Dimensional tolerance	Total radial run-out tolerance	Total axial run-out tolerance	Ra
Inner ring	g6 \oplus	IT5/2	IT5	1,6 μm
Outer ring	N6 \oplus	IT6/2	IT6	3,2 μm

Bearing execution



Initial internal clearance

The current design uses bearings with Normal initial clearance. The interference fit on the outer ring reduces the internal clearance. We determine the operational clearance for both Normal and C3 initial clearance, to select the most appropriate bearing execution.

1. Initial internal clearance

Refer to *Bearing data*, page 250. Values obtained from table 6, page 252.

	Normal	C3
min./avg./max.	6 / 13 / 20 μm	15 / 24 / 33 μm

2. Clearance reduction caused by interference fits

There is no interference on the inner ring, therefore use:

$$\Delta r_{\text{fit}} = \Delta_2 f_2 \text{ (Clearance reduction caused by interference fits, page 184)}$$

Obtain values for:

- factor, f_2 (diagram 2, page 184)
- probable fits for housings, Δ_2 (table 21, page 174)

Results:

d/D		0,49
f_2		0,87
Δ_2	min./avg./max.	-29 / -17 / -5 μm
Δr_{fit}	min./avg./max.	-25 / -15 / -4 μm

3. Internal clearance after mounting

	Normal	C3
min./avg./max.	-19 / -2 / 6 μm	-10 / 9 / 29 μm

At least C3 clearance is required. Analysis with SKF proprietary software, considering the effects from smoothing of the mating surfaces and the probability that maximum fit reduction coincides with minimum bearing clearance, provides the following values for a bearing with C3 internal clearance:

min./avg./max.	-2 / 16 / 32 μm
----------------	----------------------------

A small negative clearance is not critical for ball bearings. C3 clearance is adequate for this application.

Seals

It is not recommended to use shields (suffix 2Z) instead of contact seals (suffix 2RSH) in this application because there is a risk of grease leakage with outer ring rotation. The 2RSH seal design has the advantage of being more resistant to washout (high-pressure cleaning) that happens in paper machines, and so this will increase service life.

Consider hybrid bearings

Depending on the paper machine and position of the rope sheave, the sheave may face higher operating temperatures, which will reduce the grease life. To increase grease life, the use of hybrid bearings (ceramic balls instead of steel ones) of the same size can increase the grease life by at least a factor of two.

Consider design change

By changing the rope sheave hub design so that the bearing's inner ring rotates instead of the outer ring, grease life is increased. The speed factor will be $n d_m = 131\,000$ instead of $nD = 176\,400$.

The grease life, L_{10h} , of the 6207-2RSH/C3WT bearing will increase from 50 000 h to 61 000 h.

SKF has developed a rope sheave hub to take the above consideration into account. The bearings have ceramic balls, and WT grease, and their inner rings rotate (fig. 2). An enhanced design has been created using special bearings. For additional information, see the handbook *Rolling bearings in paper machines*.

Sealing, mounting and dismounting



Sometimes, simple labyrinth seals are added to protect the bearing integral seals further.

The normal mounting and dismounting methods are applicable.

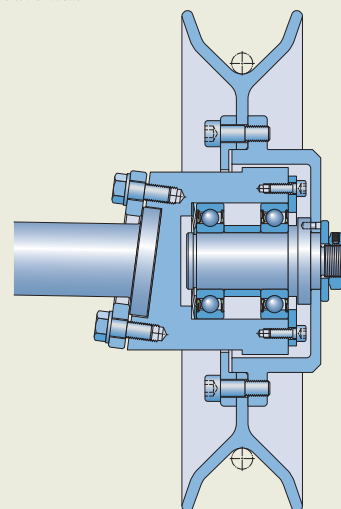
Overall conclusions

The bearing that fulfills the requirements is a sealed and greased SKF Explorer bearing 6207-2RSH/C3WT.

For more demanding operating conditions, or to achieve an even longer maintenance-free period, SKF can provide other solutions.

Fig. 2

SKF rope sheave hub



C.3 Centrifugal pump

This example shows the bearing selection process applied to an application case in which modification is required to a centrifugal pump.

The pump manufacturer wants to improve the efficiency of an existing centrifugal process pump by modifying the impeller. As a result, the bearing loads will be greater, and so the current bearing selection needs to be checked to verify that it can cope with the change. The application drawing is shown in [fig. 1](#).

The steps in the example follow the sequence in the bearing selection process. Refer to sections [B.1 – B.8](#) for a full description of each process step.

Performance and operating conditions

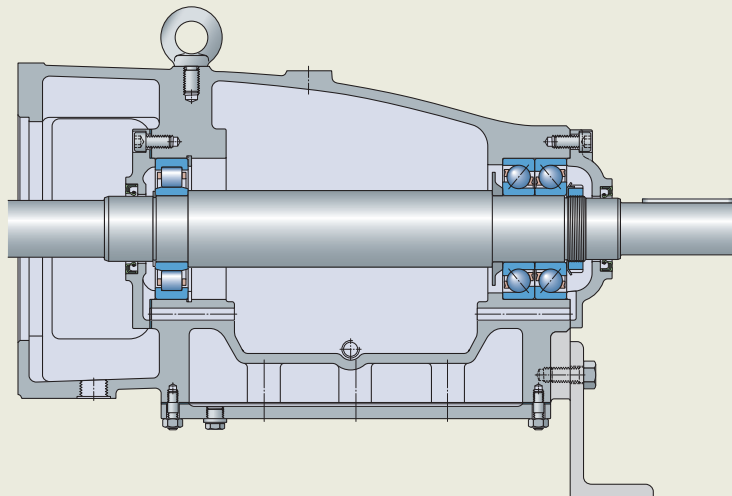


The operating conditions are:

- rotational speed: $n = 3\,000$ r/min
- lubrication:
 - method: oil bath
 - oil viscosity grade: ISO VG 68
- for the non-locating support – a cylindrical roller bearing, NU 311 ECP:
 - max. radial load: $F_r = 3,29$ kN
 - estimated operating temperature: $T = 70$ °C (160 °F)

Fig. 1

The centrifugal pump and its bearing arrangement



- for the locating support – a pair of universally matchable single row angular contact ball bearings, 7312 BECBP, arranged back-to-back:
 - max. radial load: $F_r = 1,45 \text{ kN}$
 - max. axial load: $F_a = 11,5 \text{ kN}$
 - estimated operating temperature: $T = 85 \text{ }^\circ\text{C}$ (185 °F)

Following pump industry standards, the basic rating life L_{10h} should be at least 16 000 h at maximum load conditions.

Bearing type and arrangement



A cylindrical roller bearing is used as the non-locating support and a pair of universally matchable single row angular contact ball bearings are used as the locating support.

The cylindrical roller bearing, of type NU, is used for the following reasons:

- It can accommodate, within itself, thermal expansion of the shaft.
- The inner ring is separable from the outer ring, with rollers and cage – this simplifies assembly of the pump and the use of interference fits on both inner and outer ring.

For the pair of universally matchable single row angular contact ball bearings:

- Ball bearings with a 40° angle are well suited to accommodate high axial loads and medium to high speeds.
- The bearings are arranged back-to-back, with the inner rings clamped and mounted with an interference fit to the shaft. Because the clearance of the pair is controlled by clamping the inner rings, the outer rings can be positioned in the housing between a shoulder and a cover, without the need for precise clamping.

Both bearing housing seats are machined in one clamping position, which guarantees good alignment. Misalignment is less than 2 minutes of arc, which is within the acceptable misalignment limits for the angular contact ball bearing pair and cylindrical roller bearing.

Conclusion

The current selection of bearing type and arrangement is adequate for this application.

Bearing size, non-locating support



The given operating conditions, and the effects of rolling contact fatigue, indicate that bearing size should be determined using the basic rating life and SKF rating life.

Product data for NU 311 ECP is on [page 522](#).

Basic rating life

$$L_{10h} = \left(\frac{10^6}{60 n} \right) \left(\frac{C}{P} \right)^p$$

From *Loads*, [page 509](#), $P = F_r$. Therefore, the load ratio $C/P = 156/3,29 = 47$

$$L_{10h} = \left(\frac{10^6}{60 \times 3\,000} \right) \left(\frac{156}{3,29} \right)^{3,33} > 1\,000\,000 \text{ h}$$

The bearing is oversized.

SKF rating life

$$L_{10mh} = a_{SKF} L_{10h}$$

1. Lubrication condition – the viscosity ratio, κ

$$\kappa = v/v_1$$

Given:

oil viscosity grade = ISO VG 68
operating temperature = 70 °C (160 °F)

then, using [diagram 13](#), [page 100](#), $v = 20 \text{ mm}^2/\text{s}$

Given:

$n = 3\,000 \text{ r/min}$
 $d_m = 0,5 (55 + 120) = 87,5 \text{ mm}$

then, using [diagram 14](#), [page 101](#), $v_1 = 7 \text{ mm}^2/\text{s}$

Therefore, $\kappa = 20/7 = 2,8$

2. Contamination factor, η_c

Given:

- contamination conditions are typical (i.e. open bearings, no filtering, wear particles and ingress from surrounding environment)
- $d_m = 87,5 \text{ mm}$

then, using [table 6](#), [page 105](#), $\eta_c = 0,2$

Given:

$$P_u = 18,6 \text{ kN}$$

$$P = F_r = 3,29 \text{ kN (Loads, page 509)}$$

$$\text{then } \eta_c P_u / P = 0,2 \times 18,6 / 3,29 = 1,13$$

3. Life modification factor, a_{SKF}

Given:

$$\kappa = 2,8$$

$$\eta_c P_u / P = 1,13$$

NU 311 ECP is an SKF Explorer bearing

then, using [diagram 10, page 97](#), $a_{SKF} = 50$

Given:

$$L_{10h} > 1\,000\,000 \text{ h}$$

then $L_{10mh} > 50 \times 1\,000\,000 \text{ h}$

then $L_{10mh} \gg 1\,000\,000 \text{ h}$ indicating that the bearing is oversized for the operating conditions.

Minimum load

The fact that the basic rating life and SKF rating life are both very high and above the required bearing life indicates that the bearing may be too lightly loaded.

Using the minimum load equation from [Loads, page 509](#), the minimum radial load, F_{rm} , required to avoid skidding and roller slip for cylindrical roller bearings is given by:

$$F_{rm} = k_r \left(6 + \frac{4n}{n_r} \right) \left(\frac{d_m}{100} \right)^2$$

Given:

$$d_m = 87,5 \text{ mm}$$

$$k_r = 0,15$$

$$n = 3\,000 \text{ r/min}$$

$$n_r = 6\,000 \text{ r/min}$$

then $F_{rm} = 0,94 \text{ kN} < F_r = 3,29 \text{ kN}$

Conclusion

The bearing is oversized / lightly loaded. Options are:

- Continue to use the current bearing. There is no risk that the bearing will be damaged due to being too lightly loaded.
- Downsize the bearing, and in so doing reduce cost. Consider one of the following:
 - Keep the shaft diameter the same, but use the smaller NU 2 series bearing NU 211 ECP (refer to the product section).
 - Reduce the shaft diameter one step, provided the shaft design permits (strength and stiffness), and use the smaller NU 2 series bearing NU 210 ECP (refer to the product section).

However, both of these downsizing actions require design modifications to the adjacent components.

Bearing size, locating support



The given operating conditions, and the effects of rolling contact fatigue, indicate that bearing size should be determined using the basic rating life and SKF rating life.

Product data for 7312 BECBP is on [page 414](#)

Basic rating life

$$L_{10h} = \left(\frac{10^6}{60n} \right) \left(\frac{C}{P} \right)^P$$

From [Loads, page 398](#):

$$C = 1,62 C_{\text{single bearing}} = 1,62 \times 104 = 168,5 \text{ kN}$$

From [Loads, page 398](#), for bearing pairs arranged back-to-back:

$$F_a / F_r = 11,5 / 1,45 > 1,14$$

So use:

$$P = 0,57 F_r + 0,93 F_a = (0,57 \times 1,45) + (0,93 \times 11,5) = 11,52 \text{ kN}$$

Therefore, the load ratio $C/P = 168,5 / 11,52 = 14,6$

$$L_{10h} = \left(\frac{10^6}{60 \times 3\,000} \right) \left(\frac{168,5}{11,52} \right)^3 = 17\,400 \text{ h}$$

SKF rating life

$$L_{10mh} = a_{SKF} L_{10h}$$

1. Lubrication condition – the viscosity ratio, κ

$$\kappa = v/v_1$$

Given:

oil viscosity grade = ISO VG 68

operating temperature = 85 °C (185 °F)

then, using [diagram 13, page 100](#), $v = 13 \text{ mm}^2/\text{s}$

Given:

$$n = 3\,000 \text{ r/min}$$

$$d_m = 0,5 (60 + 130) = 95 \text{ mm}$$

then, using [diagram 14, page 101](#), $v_1 = 7 \text{ mm}^2/\text{s}$

Therefore, $\kappa = 13/7 = 1,8$

The next higher viscosity grade, ISO VG 100, would give $\kappa = 2,5$. But this would result in the NU 311 ECP bearing having $\kappa > 4$, which, during cold starts in particular, would give unwanted high κ values.

2. Contamination factor, η_c

Given:

- contamination conditions are typical (i.e. open bearings, no filtering, wear particles and ingress from surrounding environment)
- $d_m = 95$ mm

then, using [table 6, page 105](#), $\eta_c = 0,2$

Given:

$$P_u = 2 \times 3,2 = 6,4 \text{ kN}$$

$$P = 11,52 \text{ kN (Basic rating life)}$$

then $\eta_c P_u / P = 0,2 \times 6,4 / 11,52 = 0,11$

3. SKF life modification factor a_{SKF}

Given:

$$\kappa = 1,8$$

$$\eta_c P_u / P = 0,11$$

7312 BECBP are SKF Explorer bearings

then, using [diagram 9, page 96](#), $a_{SKF} = 5$

Given:

$$L_{10h} = 17\,400 \text{ h}$$

then $L_{10mh} = 5 \times 17\,400 = 87\,000 \text{ h}$

Conclusion

The pair of 7312 BECBP SKF Explorer bearings are of a suitable size.

Lubrication



The pump has an oil bath. This is typical of process pumps, because of their requirement for long service intervals. In this pump, for simplicity, the locating and the non-locating support bearings are lubricated by the same oil bath.

As determined in previous steps, κ is 1,8 for the pair of angular contact ball bearings and 2,8 for the cylindrical roller bearing, and so the viscosity grade of the selected oil is adequate.

Operating temperature and speed



Determine whether a detailed thermal analysis is required (*Thermal equilibrium*, [page 131](#)) by checking that:

- the rotational speed is less than 50% of the bearing limiting speed:
 - This is true for the non-locating support.
 - For the locating support, it is 56%, which is just slightly above the limit. That is, for a pair of single row angular contact ball bearings, the limiting speed is reduced by 20% (*Permissible speed*, [page 402](#)), and so $3\,000 / (0,8 \times 6\,700) = 0,56$.
- the load ratio $C/P > 10$:
 - This is true for the locating and non-locating supports.
- there is no pronounced external heat input:
 - The pump is located in an environment where the ambient temperature is 20 to 30 °C (70 to 85 °F).
 - The pump medium is at ambient temperature, so no additional heat flows to the bearings.

Therefore, no further thermal analysis is needed.

Bearing interfaces



Because the loads on the bearings will be greater, as a result of the modification to the pump, you should check the bearing seat tolerances to make sure the bearings are mounted with adequate fits.

Given the standard steel shaft and cast iron housing, the bearing loads, speeds and temperatures, which are all within standard conditions, you can apply *Seat tolerances for standard conditions*, [page 148](#).

Shaft tolerances

You can find shaft tolerances for seats for radial ball bearings in [table 5, page 148](#), and for radial roller bearings in [table 6, page 149](#).

Given:

	NU 311 ECP	7312 BECBP
Condition of rotation	rotating inner ring load	rotating inner ring load
P/C ratio	0,02	0,07
Bore diameter	55 mm	60 mm

Results:

Bearing	Bearing seat			Ra
	Dimensional tolerance	Total radial run-out tolerance	Total axial run-out tolerance	
NU 311 ECP	k6 [Ⓔ]	IT5/2	IT5	0,8 μm
7312 BECBP	k5 [Ⓔ]	IT4/2	IT4	0,8 μm

Housing tolerances

Any wear developing during service may lead to imbalance of the impeller, leading to an indeterminate direction of load on the outer rings of both bearings.

You can find tolerances for seats for cast iron and steel housings, for radial ball bearings, in [table 8, page 151](#).

Given:

	NU 311 ECP	7312 BECBP
Condition of rotation	indeterminate direction of load	indeterminate direction of load
P/C ratio	0,02	0,07
Outer diameter	120 mm	130 mm

Results:

Bearing	Dimensional tolerance	Total radial run-out tolerance	Total axial run-out tolerance	Ra
NU 311 ECP	K7 [Ⓔ]	IT6/2	IT6	3,2 μm
7312 BECBP	K7 [Ⓔ]	IT6/2	IT6	3,2 μm

Axial location

The current design has adequate axial location. Make sure that the lock nut that locates the inner rings of the angular contact ball bearings is sufficiently tightened. Apply the clamp force uniformly around the circumference and respect the abutment dimensions (product data for 7312 BECBP is on [page 414](#)). To avoid distortion of the inner rings and to achieve the desired axial clearance in the bearing pair, limit the clamping force. For centrifugal pumps, a clamping force of $C_0/4$ (19 kN) is recommended.

Bearing execution



Checking the initial internal clearance

The current design uses bearings with Normal initial clearance. The fits for the inner and outer rings, and a temperature difference between the inner and outer rings of 10 °C (20 °F), reduce the internal clearance. Other influences on the internal clearance are negligible.

1. Initial internal clearance

	NU 311 ECP	Pair of 7312 BECBP
min./avg./max.	40 / 55 / 70 μm	22 / 32 / 27 μm
	Refer to <i>Bearing data, page 504</i> . Values obtained from table 3, page 506 .	Refer to <i>Bearing data, page 392</i> . Axial values obtained from table 4, page 394 , converted to radial (axial × tan 40°).

2. Clearance reduction caused by interference fits

Use:

$$\Delta r_{\text{fit}} = \Delta_1 f_1 + \Delta_2 f_2 \quad (\text{Clearance reduction caused by interference fits, page 184})$$

Obtain values for:

- factors f_1 and f_2 ([diagram 2, page 184](#))
- probable fits for shafts, Δ_1 ([table 14, page 160](#))
- probable fits for housings, Δ_2 ([table 20, page 172](#))

Results:

	NU 311 ECP	Pair of 7312 BECBP
d/D	0,46	0,46
f_1	0,78	0,78
f_2	0,86	0,86
Δ_1	min./avg./max. -32 / -19 / -6 μm	-26 / -16 / -6 μm
Δ_2	min./avg./max. -20 / 0 / 20 μm	-21 / 1 / 23 μm
Δr_{fit}	min./avg./max. -42 / -15 / -5 μm	-38 / -12 / -5 μm

3. Clearance reduction caused by temperature difference

Use:

$$\Delta r_{\text{temp}} = 0,012 \Delta T d_m \quad (\text{Clearance reduction caused by temperature difference between shaft, bearing rings and housing, page 184})$$

Results:

	NU 311 ECP	Pair of 7312 BECBP
d_m	87,5 mm	95 mm
Δr_{temp}	-11 μm	-11 μm

4. Operating clearance

	NU 311 ECP	Pair of 7312 BECBP
min./avg./max.	-13 / 30 / 55 μm	-27 / 17 / 4 μm

For a cylindrical roller bearing, negative clearance (i.e. preload) is generally not recommended.

Pairs of angular contact ball bearings should have an average operating clearance close to zero (ranging between small clearance and light preload), particularly when the pairs are loaded predominantly axially. A small range is required to:

- limit preload – to limit friction (increased friction results in higher temperatures, and therefore reduced viscosity and reduced bearing life)
- limit clearance – to avoid ball skidding

This manual calculation does not consider smoothing of the mating surfaces, nor elastic deflection under load, nor the probability of extreme values occurring at the same time.

Analysis using more advanced SKF software gives operating clearance results:

	NU 311 ECP	Pair of 7312 BECBP
min./avg./max.	3 / 34 / 59 μm	-10 / 11 / 24 μm

These results indicate that Normal internal clearance is suitable.

Cage selection

Given the estimated operating temperature of 85 °C (185°) (i.e. the higher temperature of the two bearing supports), a speed of well below the limiting speed, and considering availability and price, the standard rolling element guided polyamide cages are confirmed as adequate.

For historical reasons, in some geographical areas, brass cages are preferred for angular contact ball bearings. These are available as standard from SKF. This also applies to the cylindrical roller bearings.

Conclusion

Non-locating support

The NU 311 ECP bearing, currently used in the centrifugal pump, is adequate. As an alternative, the NU 311 ECM bearing could be used. Downsizing of the bearing is possible.

Bearing execution is described by suffixes in the bearing designation (*Designation system*, [page 514](#)).

Designation suffixes:

	Suffix	Description
Internal design	EC	optimized internal design incorporating more and/or larger rollers and with a modified roller end / flange contact designed to minimize friction
Cage design	P	glass fibre reinforced PA66 cage, roller centred
	M	machined brass cage, riveted, roller centred
Clearance class	–	Normal

Locating support

The pair of universally matchable 7312 BECBP bearings, currently used in the centrifugal pump, are adequate. As an alternative, the 7312 BECBM bearing could be used.

Bearing execution is described by suffixes in the bearing designation (*Designation system*, [page 404](#)).

Designation suffixes:

	Suffix	Description
Internal design	B	40° contact angle
	E	optimized internal design – reinforced rolling element set
External design / clearance class	CB	bearing for universal matching; two bearings arranged back-to-back or face-to-face; have Normal axial internal clearance
Cage design	P	glass fibre reinforced PA66 cage, ball centred
	M	machined brass cage, ball centred

Fig. 2

Radial shaft seal, design HMS5



Fig. 3

Radial shaft seal, design HMSA10



Sealing, mounting and dismounting



Sealing

The current pump design uses radial shaft seals to keep the oil bath lubricant in the pump and to protect the bearings from contamination (fig. 1, page 228). You can use seals SKF HMS5 (fig. 2) or HMSA10 (fig. 3). These are suitable for both oil and grease lubricated applications. The temperature range and speed capability of the nitrile rubber compound used for these seals suits the operating conditions of the pump.

When the seal counterface becomes worn, you can repair the shaft with a wear sleeve, such as SKF Speedi-Sleeve.

Hot mounting of the bearings

The bearings are mounted with an interference fit on the shaft and a transition fit in their housings. You can mount the bearings easily by heating their inner rings to 100 °C (210 °F) and the housing seats to 50 °C (160 °F). For heating the inner rings, use an SKF induction heater or electric hot plate.

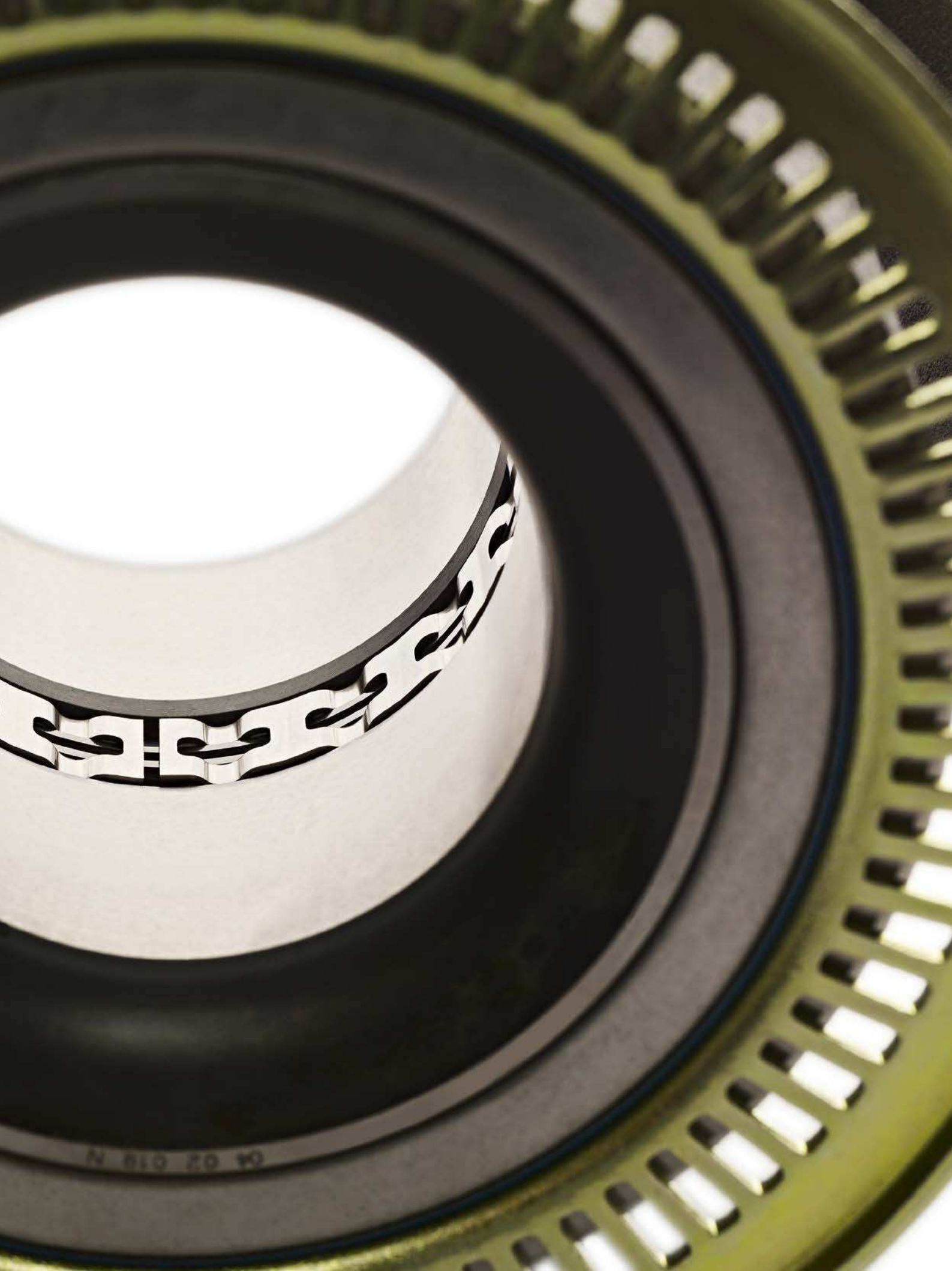
Shaft alignment

To maximize pump life, the pump and its electric motor need to be well aligned. SKF alignment tools can help.

Overall conclusions

The existing bearings can be used in combination with the new impeller design.

Downsizing of the cylindrical roller bearing is recommended.



CA 02 018 N

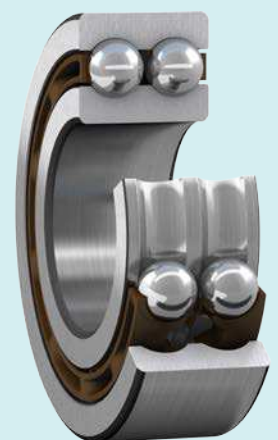
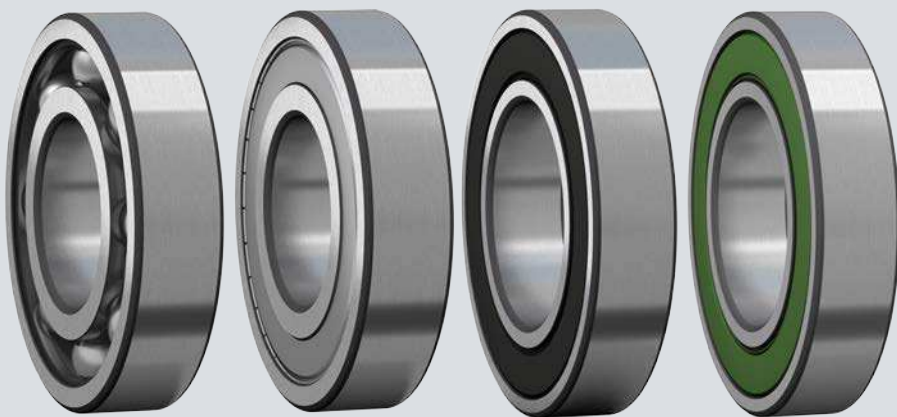
Product data

Ball bearings	
1. Deep groove ball bearings	239
2. Insert bearings (Y-bearings)	339
3. Angular contact ball bearings	383
4. Self-aligning ball bearings	437
5. Thrust ball bearings	465
Roller bearings	
6. Cylindrical roller bearings	493
7. Needle roller bearings	581
8. Tapered roller bearings	665
9. Spherical roller bearings	773
10. CARB toroidal roller bearings	841
11. Cylindrical roller thrust bearings	877
12. Needle roller thrust bearings	895
13. Spherical roller thrust bearings	913
Track rollers	
14. Cam rollers	931
15. Support rollers	943
16. Cam followers	963
Engineered products	
17. Sensor bearing units	987
18. High temperature bearings	1005
19. Bearings with Solid Oil	1023
20. INSOAT bearings	1029
21. Hybrid bearings	1043
22. NoWear coated bearings	1059
Bearing accessories	
23. Adapter sleeves	1065
24. Withdrawal sleeves	1087
25. Lock nuts	1089



1

Deep groove ball bearings



1 Deep groove ball bearings



Designs and variants	241		
Single row deep groove ball bearings	241		
Stainless steel deep groove ball bearings	241		
Single row deep groove ball bearings with filling slots	241		
Double row deep groove ball bearings.	242		
Capped bearings.	242		
Greases for capped bearings	244		
Bearings with a snap ring groove.	247		
Bearings with a flanged outer ring	247		
SKF Explorer bearings	248		
Quiet running bearings for large electric generators.	248		
Cages.	249		
Matched bearings.	249		
Bearing data	250		
(Dimension standards, tolerances, internal clearance, permissible misalignment)			
Loads	254		
(Minimum load, axial load carrying capacity, load carrying capacity of matched bearing pairs, equivalent dynamic bearing load, equivalent static bearing load)			
Temperature limits	256		
Permissible speed	256		
Designation system	258		
Product tables		Other deep groove ball bearings	
1.1 Single row deep groove ball bearings	260	Cam rollers	931
1.2 ICOS oil sealed bearing units	308	Sensor bearing units	987
1.3 Single row deep groove ball bearings with a snap ring groove.	310	High temperature bearings	1005
1.4 Stainless steel deep groove ball bearings	316	Bearings with Solid Oil	1023
1.5 Single row deep groove ball bearings with filling slots	328	INSOCOAT bearings	1029
1.6 Double row deep groove ball bearings	334	Hybrid bearings	1043
		NoWear coated bearings	1059
		Polymer ball bearings	→ skf.com/bearings

1 Deep groove ball bearings

More information

General bearing knowledge	17
Bearing selection process	59
Lubrication	109
Bearing interfaces.	139
Seat tolerances for standard conditions	148
Selecting internal clearance	182
Sealing, mounting and dismounting	193

Mounting instructions for individual bearings → skf.com/mount

SKF bearing maintenance handbook ISBN 978-91-978966-4-1

Deep groove ball bearings are particularly versatile. They are suitable for high and very high speeds, accommodate radial and axial loads in both directions, and require little maintenance. Because deep groove ball bearings are the most widely used bearing type, they are available from SKF in many designs, variants and sizes.

In addition to the bearings presented in this section, deep groove ball bearings for special applications are shown under:

- *Sensor bearing units*, [page 987](#)
- *High temperature bearings and bearing units*, [page 1005](#)
- *Bearings with Solid Oil*, [page 1023](#)
- *INSOCOAT bearings*, [page 1029](#)
- *Hybrid bearings*, [page 1043](#)
- *NoWear coated bearings*, [page 1059](#)

For single row cam rollers, refer to *Cam rollers*, [page 931](#).

Designs and variants

Single row deep groove ball bearings

Single row deep groove ball bearings (fig. 1) are available capped (with seals or shields) or open. Open bearings that are also available capped may have recesses in the ring side faces (fig. 2).

SKF inch bearings in the EE(B), RLS and RMS series are intended as aftermarket items and, therefore, SKF recommends not using these bearings for new bearing arrangement designs (skf.com/go/17000-1-1).

SKF can also supply bearings with a tapered bore. For detailed information, contact SKF.

Stainless steel deep groove ball bearings

Stainless steel deep groove ball bearings (fig. 1) are available capped (with seals or shields) or open. Open bearings that are also available capped may have recesses in the ring side faces (fig. 2).

These bearings have a lower load carrying capacity than same-sized bearings made of high chromium steel.

Inch stainless steel deep groove ball bearings are not listed in this catalogue, but can be found online at skf.com/go/17000-1-4.

Single row deep groove ball bearings with filling slots

Single row deep groove ball bearings with filling slots have a filling slot in both the inner and outer rings (fig. 3) to accommodate more balls than standard deep groove ball bearings.

Filling slot bearings have a higher radial load carrying capacity than bearings without filling slots, but their axial load carrying capacity is limited. They are also unable to operate at the same high speeds as bearings without filling slots.

Deep groove ball bearings with filling slots are available open or with shields on one or both sides. They are also available with or without a snap ring groove. Open bearings that are also available with shields may have recesses in the outer ring (fig. 4).

Large size deep groove ball bearings with filling slots, without cage, are available on request.

Fig. 1

Single row bearing

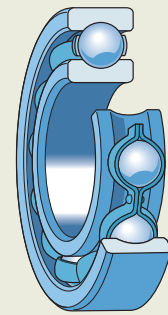


Fig. 2

Open designs

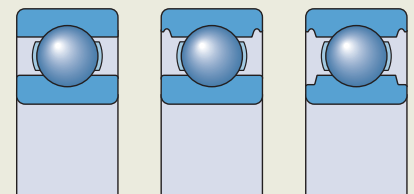


Fig. 3

Bearing with filling slots

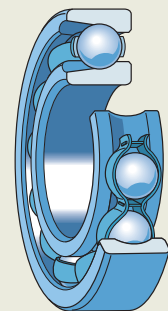
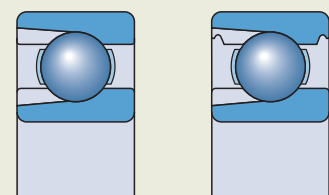


Fig. 4

Open designs of bearings with filling slots



1 Double row deep groove ball bearings

Double row deep groove ball bearings (fig. 5) are very suitable for bearing arrangements where the load carrying capacity of a single row bearing is inadequate. For the same bore and outside diameter, double row bearings are slightly wider than single row bearings in the 62 and 63 series, but have a considerably higher load carrying capacity.

Double row deep groove ball bearings are only available as open bearings (without seals or shields).

Capped bearings

Selection guidelines for different capping devices under various operating conditions are listed in table 1. However, these guidelines cannot substitute for testing a shield or seal in its application. For additional information, refer to *Integral sealing*, page 26.

The seals, which are fitted in a recess on the outer ring, make good, positive contact with the recess, without deforming the outer ring. The capping devices are available as:

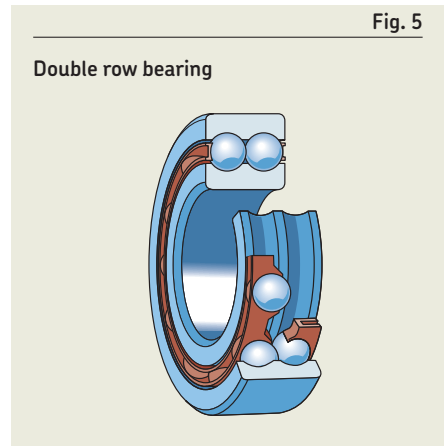


Fig. 5

Double row bearing

Table 1

Selection guidelines for SKF capping devices

Requirement	Shields	Non-contact seals	Low-friction seals		Contact seals	
	Z, ZS	RZ	RSL	RST	RSH	RS1
Low friction	+++	+++	++	++	o	o
High speed	+++	+++	+++	+	o	o
Grease retention	o	+	+++	+++	+++	++
Dust exclusion	o	+	++	++	+++	+++
Water exclusion						
static	-	-	o	+++	+++	++
dynamic	-	-	o	+	++	+
high pressure	-	-	o	o	+++	o
Symbols:	+++ = best	++ = very good	+ = good	o = fair	- = not recommended	

Shields (designation suffixes Z or ZS)

- are primarily intended for applications where the inner ring rotates
- are fitted in the outer ring and form a narrow gap with the inner ring
- are made of sheet steel, or stainless steel for stainless steel bearings
- protect from dirt and debris without friction losses
- are supplied in different designs (fig. 6):
 - with designation suffix Z: either with (a) or without (b) an extension in the shield bore or on some stainless steel bearings, the shield bore can extend into a recess in the inner ring (c)
 - with designation suffix ZS (stainless steel bearings only): fixed in the outer ring by a retaining ring and may extend into a recess (d)
 - available on request for stainless steel bearings only: shields made of PTFE

Non-contact seals (designation suffix RZ)

- provide better sealing effectiveness than shields
- can be operated at the same speeds as shields
- form an extremely narrow gap with the inner ring shoulder (fig. 7)
- are made of sheet steel reinforced NBR (oil- and wear-resistant)

Low-friction seals (designation suffixes RSL or RST)

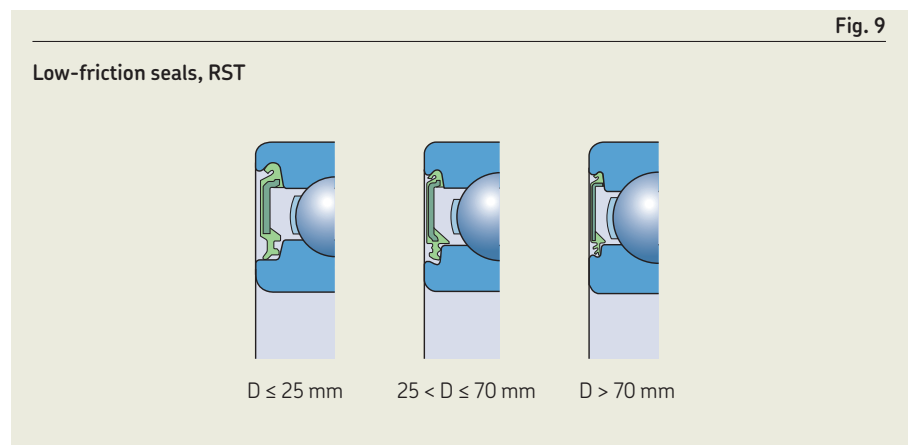
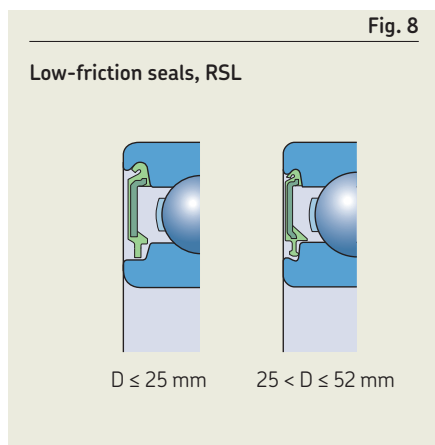
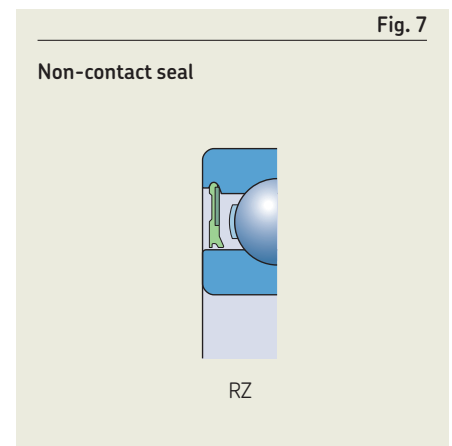
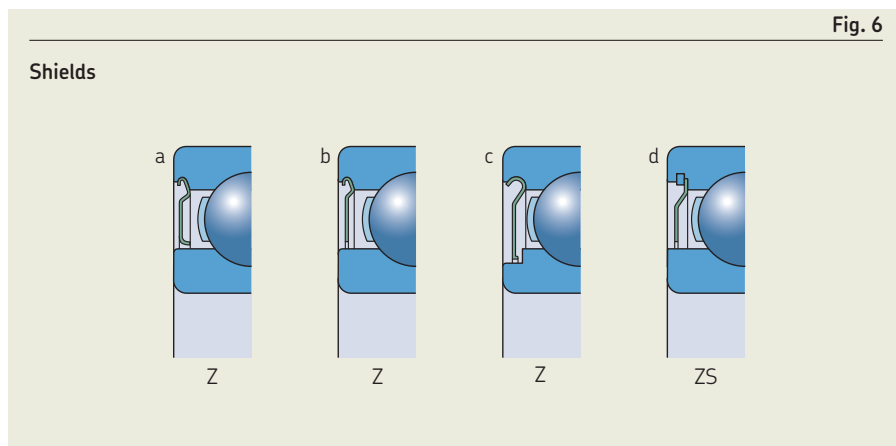
- provide better sealing effectiveness than non-contact seals
- are made of sheet steel reinforced NBR (oil- and wear-resistant)

RSL design (fig. 8):

- can be operated at the same speeds as shields
- make virtually no contact with a recess in the inner ring shoulder
- are available for 60, 62, 63 series bearings in two designs, depending on the size

RST design (fig. 9):

- make positive contact with a recess in the inner ring shoulder for good sealing effectiveness
- are available for 60, 62 and 63 series bearings in three designs, depending on the size



1 Deep groove ball bearings

Contact seals (designation suffixes RSH, RSH2, RS1, RS1/VP311 or RS2)

- are made of sheet steel reinforced
 - NBR
 - FKM (designation suffix RS2 or RSH2, available on request)
 - food compatible, blue-coloured NBR* (designation suffix VP311 and for stainless steel bearings only)
- are available in different designs depending on the bearing they are used with (fig. 10):
 - for 60, 62 and 63 series bearings in two RSH designs (a, b), depending on the size
 - for RS1 designs, with sealing either against the inner ring shoulder (c) or against a recess in the inner ring side face for chromium steel bearings (d) or for stainless steel bearings (e), the relevant design is determined by dimension d_1 or d_2 in the product table.

ICOS oil sealed bearing units

- are typically used for applications with sealing requirements exceeding the capabilities of standard sealing solutions, i.e. oil retention
- have the following features compared to bearings with external sealing solutions:
 - need less axial space
 - simplify mounting
 - avoid expensive machining of the shaft because the inner ring shoulder is the seal counterface

* The material is FDA and EC approved. FDA approval is based on compliance with CFR 21 section 177.2600 "Rubber articles intended for repeated use" for use in contact with aqueous and fatty foods. EC approval is based on compliance with the overall migration requirements of the German BfR recommendation XXI for category 3 materials.

- consist of a 62 series deep groove ball bearing and an SKF WAVE seal (fig. 11):
 - single lip, spring loaded radial shaft seal
 - made of NBR
- have limiting speeds quoted in the product table that are based on the permissible circumferential speed for the seal (14 m/s)

Greases for capped bearings

Bearings capped on both sides are lubricated for the life of the bearing and are virtually maintenance-free.

They are filled with one of the following greases:

Single row bearings

- standard bearings (table 2)

On request, bearings can be supplied with the following special greases:

- high temperature grease GJN
- wide temperature range grease HT or WT
- wide temperature range and low-noise grease LHT23
- low temperature grease LT

Stainless steel bearings

- wide temperature range and low-noise grease LHT23 as standard
- GFJ food-grade grease, registered by NSF as category H1 (designation suffix VP311)

The NSF registration confirms the grease fulfils the requirements listed in the US Food and Drug Administration's guidelines under 21 CFR section 178.3570 (lubricant acceptable with incidental food contact for use in and around food processing areas).
- available on request: special non-toxic grease, registered by NSF as category H1 (designation suffix VT378)

Bearings with filling slots

- high temperature grease GJN

On request, bearings can be supplied with the following special greases:

- wide temperature range grease HT or WT
- wide temperature range and low-noise grease LHT23
- low temperature grease LT

The technical specifications of the various greases are listed in table 3.

The standard grease is not identified in the bearing designation (no designation suffix). Special greases are indicated by the corresponding grease suffix. Check availability of bearings with special grease prior to ordering.

⚠ WARNING

Seals made of FKM (fluoro rubber) exposed to an open flame or temperatures above 300 °C (570 °F) are a health and environmental hazard! They remain dangerous even after they have cooled.

Read and follow the safety precautions on page 197.

Fig. 10

Contact seals

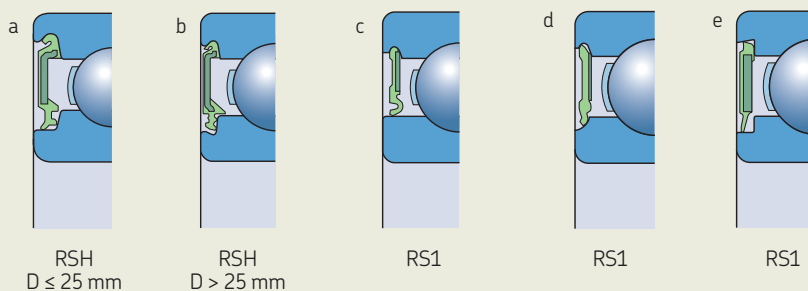


Fig. 11

ICOS oil sealed bearing unit

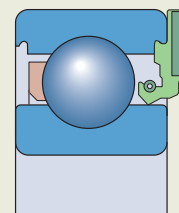


Table 2



SKF standard greases for capped single row deep groove ball bearings made of carbon chromium steel

Bearings in diameter series	SKF standard greases in bearings with outside diameter			
	D ≤ 30 mm d < 10 mm	d ≥ 10 mm	30 < D ≤ 62 mm	D > 62 mm
8, 9	LHT23	LT10	MT47	MT33
0, 1, 2, 3	MT47	MT47	MT47	MT33

Table 3

Technical specifications of SKF standard and special greases for capped deep groove ball bearings

Grease	Temperature range ¹⁾							Thickener	Base oil type	NLGI grade	Base oil viscosity [mm ² /s]		Grease performance factor (GPF)
	-50	0	50	100	150	200	250				at 40 °C (105 °F)	at 100 °C (210 °F)	
MT33								Lithium soap	Mineral	3	100	10	1
MT47								Lithium soap	Mineral	2	70	7,3	1
LT10								Lithium soap	Diester	2	12	3,3	2
LHT23								Lithium soap	Ester	2-3	27	5,1	2
LT								Lithium soap	Diester	2	15	3,7	1
WT								Polyurea	Ester	2-3	70	9,4	4
GJN								Polyurea	Mineral	2	115	12,2	2
HT								Polyurea	Mineral	2-3	96	10,5	2
VT378								Aluminium complex soap	PAO	2	150	15,5	- ²⁾
GFJ								Aluminium complex soap	Synthetic hydro-carbon	2	100	14	1
GE2								Lithium soap	Synthetic	2	25	4,9	2

¹⁾ Refer to the SKF traffic light concept (page 117).

²⁾ For bearings filled with VT378 grease, use the scale corresponding to GPF = 1 and multiply the value obtained from diagram 1, page 246, by 0,2.

1 Deep groove ball bearings

Grease life for capped bearings

- is presented as L_{10} , i.e. the time period at the end of which 90% of the bearings are still reliably lubricated (**diagram 1**)
- depends on:
 - the operating temperature
 - the speed factor, nd_m
 - grease performance factor (GPF) (**table 3, page 245**)

The indicated grease life is valid under this combination of operating conditions:

- horizontal shaft
- inner ring rotation
- light load ($P \leq 0,05 C$)
- operating temperature within the green temperature zone of the grease (**table 3**)
- stationary machine
- low vibration levels

Where the operating conditions differ as described below, the grease life obtained from the diagram should be adjusted:

- for vertical shafts, use 50% of the obtained value
- for heavier loads ($P > 0,05 C$), apply a reduction factor (**table 4**)

When capped bearings must operate under certain extreme conditions, such as very high speeds or high temperatures, grease may appear on the capping diameter. For bearing arrangements where this would be detrimental, appropriate actions could be taken. For additional information, contact the SKF application engineering service.

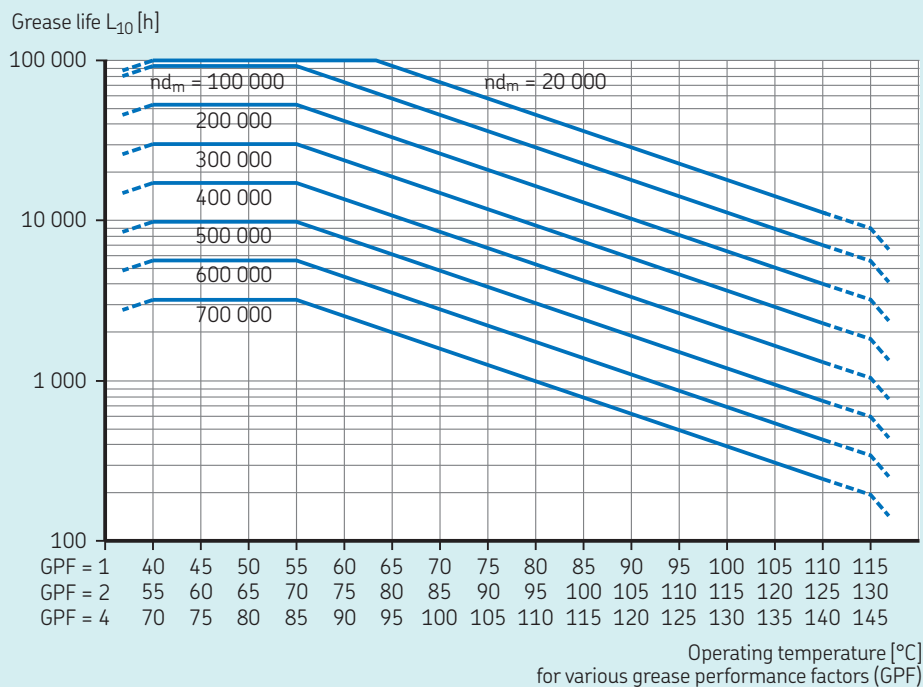
Table 4

Reduction factor for the grease life, depending on the load

Load P	Reduction factor
$\leq 0,05 C$	1
0,1 C	0,7
0,125 C	0,5
0,25 C	0,2

Diagram 1

Grease life for capped deep groove ball bearings where $P = 0,05 C$



n = rotational speed [r/min]
 d_m = bearing mean diameter [mm]
 $= 0,5(d + D)$

Bearings with a snap ring groove

- can simplify the design of an arrangement
 - by locating the bearing axially in the housing by a snap ring (fig. 12)
 - by saving space
 - by significantly reducing mounting time.

Appropriate snap rings are shown in the product table along with their designation and dimensions.

The following variants are available (fig. 13):

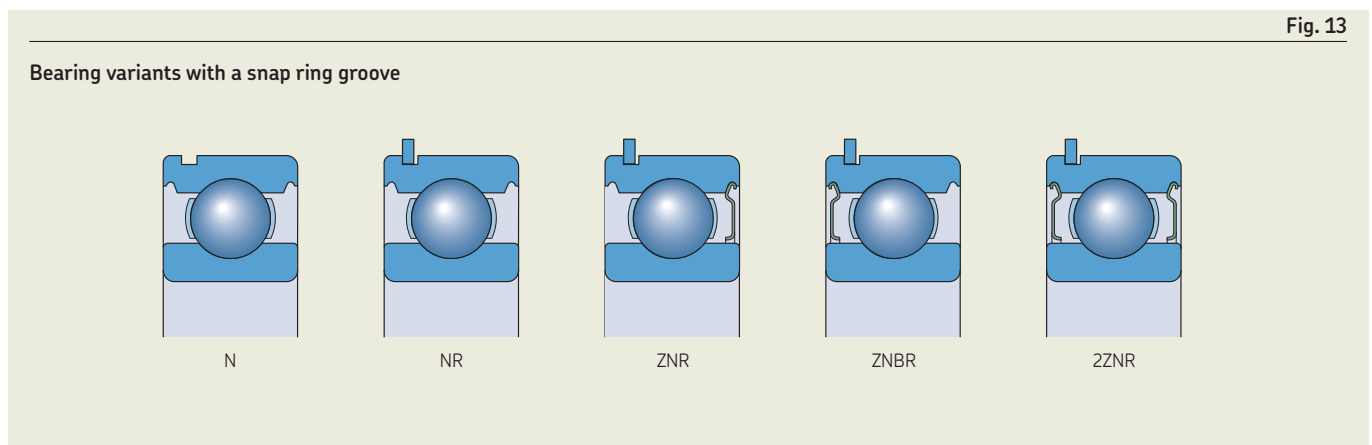
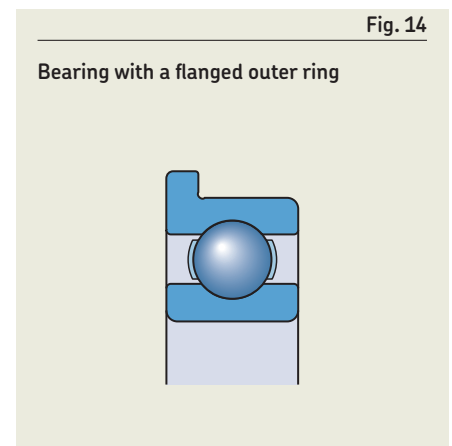
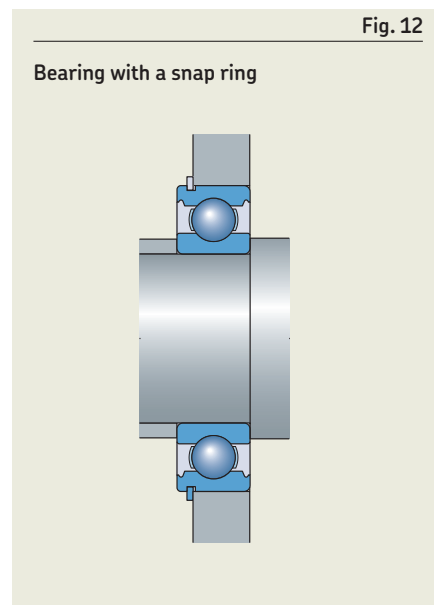
- open bearings with a snap ring groove only (designation suffix N)
- open bearings with a snap ring (designation suffix NR)
- bearings with a snap ring and a shield on the opposite side (designation suffix ZNR)
- bearings with a snap ring and a shield on the same side (designation suffix ZNBR)
- bearings with a snap ring and a shield on both sides (designation suffix 2ZNR)

Bearings with a flanged outer ring

Certain sizes of SKF stainless steel deep groove ball bearings are also available with a flange on the outer ring (designation suffix R, fig. 14). They:

- can be supplied open or capped
- are relatively easy to locate axially in the housing
- enable easier and more cost-effective housing bore manufacture, no shoulders required

These bearings with a flanged outer ring are not listed in this catalogue, but can be found online at skf.com/go/17000-1-4.



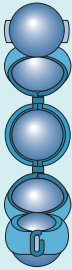


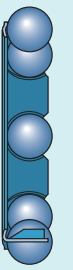
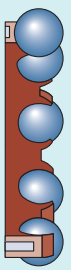
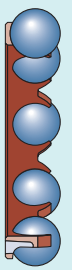
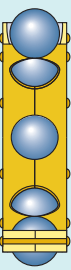
SKF Explorer bearings

Single row deep groove ball bearings are also available as SKF Explorer bearings (page 7).

Quiet running bearings for large electric generators

- are designed to comply with stringent noise requirements
- are typically used in wind turbine generators
- provide consistent performance over a variety of operating conditions
- are identified by the designation suffix VQ658

Table 5

Cages							
	Steel cages			Polymer cages			Brass cages
							
		a	b				
Cage type	Ribbon-type, ball centred	Riveted, ball centred	Snap-type, ball centred	Snap-type, ball centred			Riveted, ball, outer ring or inner ring centred
Material	Stamped steel / stainless steel			PA66, glass fibre reinforced	PA46, glass fibre reinforced	PEEK, glass fibre reinforced	Machined brass
Suffix	–	–	–	TN9	TN9/VG1561	TNH	M, MA or MB
Single row bearings	Standard (metric only)	Standard (a)	–	Standard for inch bearings and ICOS oil sealed bearing units, check availability for other bearings	Check availability (not available for inch bearings)	Check availability (not available for inch bearings)	Standard (metric only)
Stainless steel bearings	Standard	Standard (a)	Standard	Check availability	–	–	–
Bearings with filling slots	–	Standard (b)	–	–	–	–	–
Double row bearings	–	–	–	Standard	–	–	–

Cages

Depending on their design, series and size, SKF deep groove ball bearings are fitted with one of the cages shown in [table 5](#). Double row bearings are equipped with two cages. The standard stamped steel cage is not identified in the bearing designation. If non-standard cages are required, check availability prior to ordering.

When used at high temperatures, some lubricants can have a detrimental effect on polyamide cages. For additional information about the suitability of cages, refer to *Cages*, [page 187](#).

Matched bearings

- are used where the load carrying capacity of a single bearing is inadequate
- are used where the shaft has to be located axially in both directions with a specific axial clearance
- where mounted immediately adjacent to each other, distribute the load between the bearings without having to use shims or similar devices

A 'V-shaped' marking on the outside surface of the outer rings of matched bearings ([fig. 15](#)) indicates how the pair should be mounted. The bearing pairs are supplied as a packaged unit.

Matched pairs can be supplied in three different arrangements ([fig. 16](#)):

Tandem arrangement (designation suffix DT)

- is used where the load carrying capacity of a single bearing is inadequate
- has parallel load lines and therefore shares the radial and axial loads equally
- can accommodate axial loads in both directions

Back-to-back arrangement (designation suffix DB)

- has load lines that diverge towards the bearing axis
- provides a relatively stiff bearing arrangement
- can accommodate tilting moments
- can accommodate axial loads in both directions, but only by one bearing in each direction

Face-to-face arrangement (designation suffix DF)

- has load lines that converge towards the bearing axis
- is less sensitive to misalignment but not as stiff as a back-to-back arrangement
- can accommodate axial loads in both directions, but only by one bearing in each direction

Fig. 15

'V-shaped' marking on matched bearings

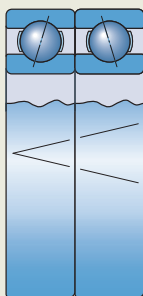
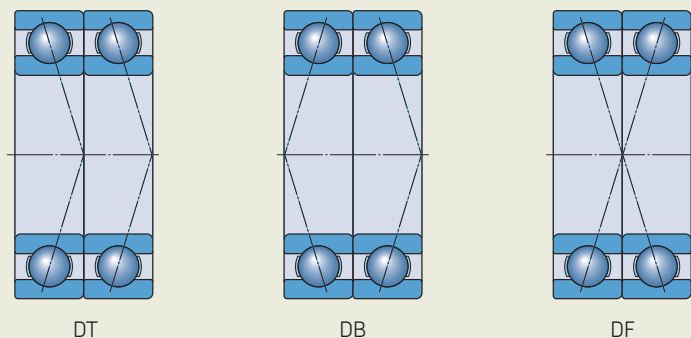


Fig. 16

Matched bearings in different arrangements





Bearing data

Single row deep groove ball bearings

Dimension standards

Boundary dimensions: ISO 15
Snap rings and grooves: ISO 464

Tolerances

Normal
P6 or P5 on request

Except for:

SKF Explorer bearings

Dimensional tolerances to P6 and tighter width tolerance:

$D \leq 110 \text{ mm} \rightarrow 0/ -60 \mu\text{m}$

$D > 110 \text{ mm} \rightarrow 0/ -100 \mu\text{m}$

Geometrical tolerances:

$D \leq 52 \text{ mm} \rightarrow \text{P5}$

$52 \text{ mm} < D \leq 110 \text{ mm} \rightarrow \text{P6}$

$D > 110 \text{ mm} \rightarrow \text{Normal}$

For additional information

→ [page 35](#)

Values: ISO 492 ([table 2, page 38](#), to [table 4, page 40](#))

Internal clearance

Single bearings

Normal

Check availability of C2, C3, C4, C5, reduced ranges of standard clearance classes or partitions of adjacent classes.

Matched bearing pairs

Supplied either with clearance or preload:

- CA – small axial internal clearance
- GA – light preload

For additional information

→ [page 182](#)

Values: ISO 5753-1 ([table 6, page 252](#)), except for stainless steel bearings with $d < 10 \text{ mm}$ ([table 7, page 253](#)) ...

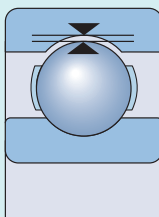
Permissible misalignment

≈ 2 to 10 minutes of arc (single bearings)

Misalignment increases bearing noise and reduces bearing service life, and when it exceeds the guideline values these effects become particularly noticeable. For matched bearing pairs, any misalignment increases bearing ...

Stainless steel deep groove ball bearings	Single row deep groove ball bearings with filling slots	Double row deep groove ball bearings
Boundary dimensions: ISO 15 Except for: <ul style="list-style-type: none"> • bearings with suffix X • bearings with prefix WBB1 • outer ring flange of flanged bearings: ISO 8443 	Boundary dimensions: ISO 15 Snap rings and grooves: ISO 464	Boundary dimensions: ISO 15
Normal P6 or P5 on request	Normal	Normal
Normal Check availability of other clearance classes	Normal	Normal Check availability of C3 clearance class
... and for matched bearing pairs (table 8, page 253). Values are valid for unmounted bearings under zero measuring load.		
≈ 2 to 10 minutes of arc	≈ 2 to 5 minutes of arc	≤ 2 minutes of arc
... noise and reduces bearing service life. For additional information, contact the SKF application engineering service.		

Radial internal clearance of deep groove ball bearings

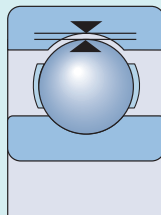


Bore diameter		Radial internal clearance									
d		C2		Normal		C3		C4		C5	
>	≤	min.	max.	min.	max.	min.	max.	min.	max.	min.	max.
mm		μm									
2,5	6	0	7	2	13	8	23	–	–	–	–
6	10	0	7	2	13	8	23	14	29	20	37
10	18	0	9	3	18	11	25	18	33	25	45
18	24	0	10	5	20	13	28	20	36	28	48
24	30	1	11	5	20	13	28	23	41	30	53
30	40	1	11	6	20	15	33	28	46	40	64
40	50	1	11	6	23	18	36	30	51	45	73
50	65	1	15	8	28	23	43	38	61	55	90
65	80	1	15	10	30	25	51	46	71	65	105
80	100	1	18	12	36	30	58	53	84	75	120
100	120	2	20	15	41	36	66	61	97	90	140
120	140	2	23	18	48	41	81	71	114	105	160
140	160	2	23	18	53	46	91	81	130	120	180
160	180	2	25	20	61	53	102	91	147	135	200
180	200	2	30	25	71	63	117	107	163	150	230
200	225	2	35	25	85	75	140	125	195	175	265
225	250	2	40	30	95	85	160	145	225	205	300
250	280	2	45	35	105	90	170	155	245	225	340
280	315	2	55	40	115	100	190	175	270	245	370
315	355	3	60	45	125	110	210	195	300	275	410
355	400	3	70	55	145	130	240	225	340	315	460
400	450	3	80	60	170	150	270	250	380	350	520
450	500	3	90	70	190	170	300	280	420	390	570
500	560	10	100	80	210	190	330	310	470	440	630
560	630	10	110	90	230	210	360	340	520	490	700
630	710	20	130	110	260	240	400	380	570	540	780
710	800	20	140	120	290	270	450	430	630	600	860
800	900	20	160	140	320	300	500	480	700	670	960
900	1 000	20	170	150	350	330	550	530	770	740	1 040
1 000	1 120	20	180	160	380	360	600	580	850	820	1 150
1 120	1 250	20	190	170	410	390	650	630	920	890	1 260
1 250	1 400	30	200	190	440	420	700	680	1 000	–	–
1 400	1 600	30	210	210	470	450	750	730	1 060	–	–

Table 7



Radial internal clearance of stainless steel deep groove ball bearings with a bore diameter < 10 mm



Bore diameter		Radial internal clearance											
d	≤	C1		C2		Normal		C3		C4		C5	
>		min.	max.	min.	max.	min.	max.	min.	max.	min.	max.	min.	max.
mm		μm											
-	9,525	0	5	3	8	5	10	8	13	13	20	20	28

Table 8

Axial internal clearance and preload of matched bearings in the 60, 62 and 63 series

Bore diameter		Axial internal clearance		Preload		
d	≤	CA		GA		
>		min.	max.	Bearings of series		
mm		μm		60	62	63
				N		
-	10	15	35	30	30	-
10	18	20	40	50	50	100
18	30	25	45	100	100	100
30	50	35	55	100	100	200
50	80	40	70	200	200	350
80	120	50	80	300	400	600
120	180	60	100	500	700	900
180	250	70	110	800	1 000	1 200
250	315	80	120	-	-	-
315	400	90	130	-	-	-
400	500	100	140	-	-	-

Loads

	Single row deep groove ball bearings	Stainless steel deep groove ball bearings
Minimum load For additional information → page 106	$F_{rm} = k_r \left(\frac{v n}{1\,000} \right)^{2/3} \left(\frac{d_m}{100} \right)^2$ <p>If minimum load cannot be reached, consider preloading.</p>	
Axial load carrying capacity	Pure axial load → $F_a \leq 0,5 C_0$ Small bearings ¹⁾ and light series bearings ²⁾ → $F_a \leq 0,25 C_0$ Excessive axial load can lead to a considerable reduction in bearing service life.	Pure axial load → $F_a \leq 0,25 C_0$
Load carrying capacity of matched bearing pairs	The values for basic load ratings and fatigue load limits listed in the product table apply to single bearings. For matched bearing pairs mounted immediately adjacent to each other the following values apply: <ul style="list-style-type: none"> • basic dynamic load rating $C = 1,62 C_{\text{single bearing}}$ • basic static load rating $C_0 = 2 C_{0 \text{ single bearing}}$ • fatigue load limit $P_u = 2 P_{u \text{ single bearing}}$ 	
Equivalent dynamic bearing load For additional information → page 91	Single bearings and bearing pairs arranged in tandem: $F_a/F_r \leq e \rightarrow P = F_r$ $F_a/F_r > e \rightarrow P = X F_r + Y F_a$ Bearing pairs arranged back-to-back or face-to-face: $F_a/F_r \leq e \rightarrow P = F_r + Y_1 F_a$ $F_a/F_r > e \rightarrow P = 0,75 F_r + Y_2 F_a$	$F_a/F_r \leq e \rightarrow P = F_r$ $F_a/F_r > e \rightarrow P = X F_r + Y F_a$
Equivalent static bearing load For additional information → page 105	Single bearings and bearing pairs arranged in tandem: $P_0 = 0,6 F_r + 0,5 F_a$ $P_0 < F_r \rightarrow P_0 = F_r$ Bearing pairs arranged back-to-back or face-to-face: $P_0 = F_r + 1,7 F_a$	$P_0 = 0,6 F_r + 0,5 F_a$ $P_0 < F_r \rightarrow P_0 = F_r$

1) $d \leq 12$ mm

2) Diameter series 8, 9, 0, and 1

Single row deep groove ball bearings with filling slots	Double row deep groove ball bearings	Symbols
$F_a \leq 0,6 F_r$	Pure axial load $\rightarrow F_a \leq 0,5 C_0$	<p>Symbols</p> <p>C_0 basic static load rating [kN] <ul style="list-style-type: none"> • single bearings (product tables, page 260) • matched bearing pairs (<i>Load carrying capacity of matched bearing pairs</i>) </p> <p>d_m bearing mean diameter [mm] $= 0,5 (d + D)$</p> <p>e limit for the load ratio depending on the relationship $f_0 F_a / C_0$ (table 9, page 257, and table 10, page 257)</p> <p>f_0 calculation factor (product tables)</p> <p>F_a axial load [kN]</p> <p>F_r radial load [kN]</p> <p>F_{rm} minimum radial load [kN]</p> <p>k_r minimum load factor (product tables)</p> <p>n rotational speed [r/min]</p> <p>P equivalent dynamic bearing load [kN]</p> <p>P_0 equivalent static bearing load [kN]</p> <p>X calculation factor for the radial load (table 9)</p> <p>Y, Y_1, Y_2 calculation factors for the axial load depending on the relationship $f_0 F_a / C_0$ (table 9 and table 10)</p> <p>ν actual operating viscosity of the lubricant [mm²/s]</p>
$F_a / F_r \leq 0,6$ and $P \leq 0,5 C_0$ $\rightarrow P = F_r + F_a$	$F_a / F_r \leq e \rightarrow P = F_r$ $F_a / F_r > e \rightarrow P = X F_r + Y F_a$	
$F_a / F_r \leq 0,6 \rightarrow P_0 = F_r + 0,5 F_a$	$P_0 = 0,6 F_r + 0,5 F_a$ $P_0 < F_r \rightarrow P_0 = F_r$	



Temperature limits

The permissible operating temperature for deep groove ball bearings can be limited by:

- the dimensional stability of the bearing rings and balls
- the cage
- the seals
- the lubricant

Where temperatures outside the permissible range are expected, contact SKF.

Bearing rings and balls

SKF deep groove ball bearings are heat stabilized up to at least 120 °C (250 °F).

Cages

Steel, stainless steel, brass or PEEK cages can be used at the same operating temperatures as the bearing rings and balls. For temperature limits of cages made of other polymer materials, refer to *Polymer cages*, page 188.

Seals

The permissible operating temperature for seals depends on the seal material:

- NBR: -40 to +100 °C (-40 to +210 °F)
Temperatures up to 120 °C (250 °F) can be tolerated for brief periods.
- FKM: -30 to +200 °C (-20 to +390 °F)
Temperatures up to 230 °C (445 °F) can be tolerated for brief periods.

Typically, temperature peaks are at the seal lip.

Lubricants

Temperature limits for greases used in SKF deep groove ball bearings capped on both sides are provided in [table 3, page 245](#). For temperature limits of other SKF greases, refer to *Selecting a suitable SKF grease*, page 116.

When using lubricants not supplied by SKF, temperature limits should be evaluated according to the SKF traffic light concept ([page 117](#)).

Permissible speed

The speed ratings in the product table indicate:

- the **reference speed**, which enables a quick assessment of the speed capabilities from a thermal frame of reference
- the **limiting speed**, which is a mechanical limit that should not be exceeded unless the bearing design and the application are adapted for higher speeds

For additional information, refer to *Operating temperature and speed*, page 130.

SKF recommends oil lubrication for bearings with a ring centred cage (designation suffix MA or MB). When these bearings are grease lubricated, the nd_m value is limited to 250 000 mm/min.

where

$$d_m = \text{bearing mean diameter [mm]} \\ = 0,5 (d + D) \\ n = \text{rotational speed [r/min]}$$

Table 9

Calculation factors for deep groove ball bearings

$f_0 F_a / C_0$	Single row and double row bearings Normal clearance			Single row bearings C3 clearance			C4 clearance		
	e	X	Y	e	X	Y	e	X	Y
0,172	0,19	0,56	2,3	0,29	0,46	1,88	0,38	0,44	1,47
0,345	0,22	0,56	1,99	0,32	0,46	1,71	0,4	0,44	1,4
0,689	0,26	0,56	1,71	0,36	0,46	1,52	0,43	0,44	1,3
1,03	0,28	0,56	1,55	0,38	0,46	1,41	0,46	0,44	1,23
1,38	0,3	0,56	1,45	0,4	0,46	1,34	0,47	0,44	1,19
2,07	0,34	0,56	1,31	0,44	0,46	1,23	0,5	0,44	1,12
3,45	0,38	0,56	1,15	0,49	0,46	1,1	0,55	0,44	1,02
5,17	0,42	0,56	1,04	0,54	0,46	1,01	0,56	0,44	1
6,89	0,44	0,56	1	0,54	0,46	1	0,56	0,44	1

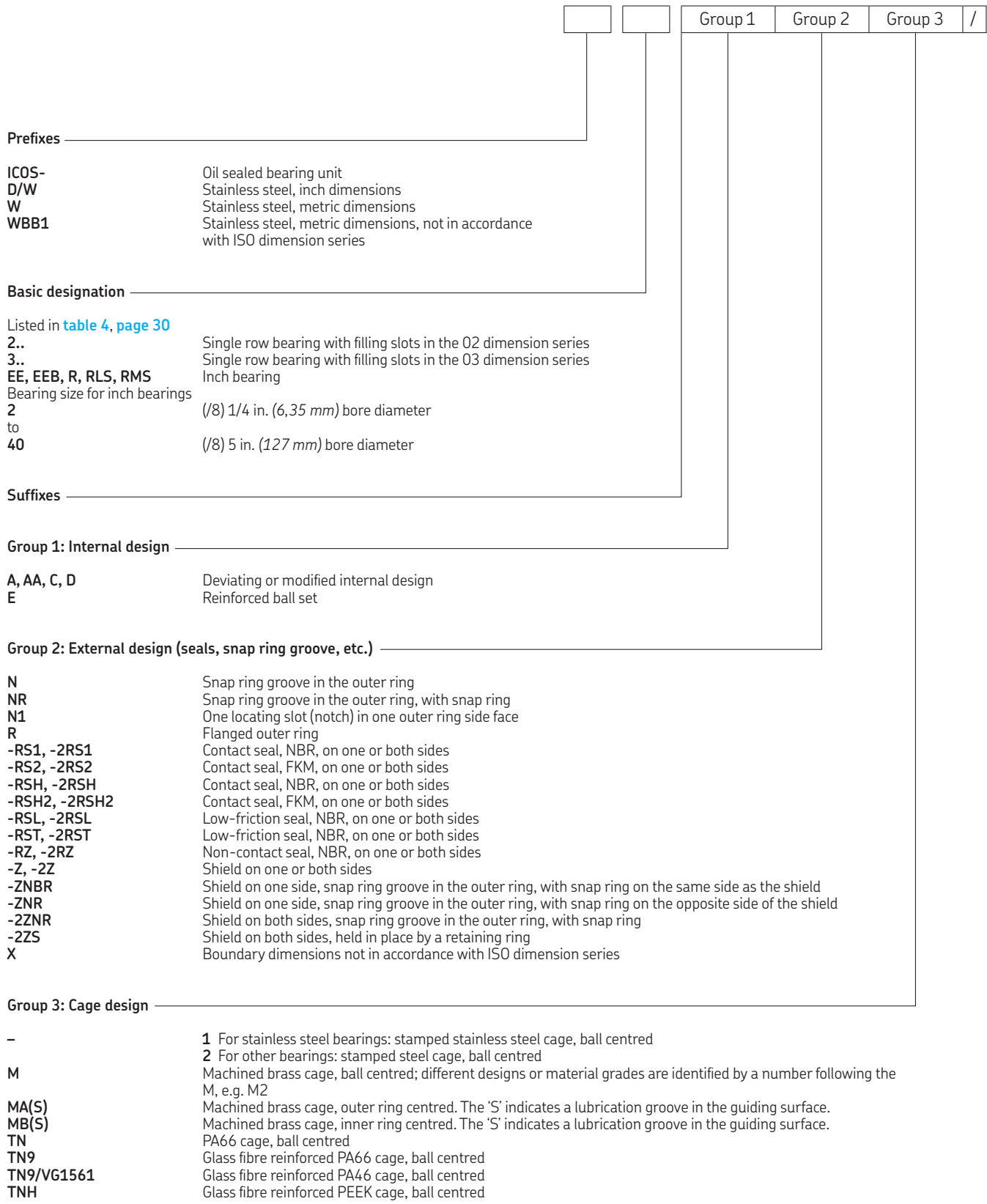
Calculation factors must be selected according to the operating clearance in the bearing, which may differ from the internal clearance before mounting. For additional information or for calculation factors for other clearance classes, contact the SKF application engineering service. Intermediate values can be obtained by linear interpolation.

Table 10

Calculation factors for paired single row deep groove ball bearings arranged back-to-back and face-to-face

$f_0 F_a / C_0$	e	Y_1	Y_2
0,17	0,23	2,8	3,7
0,69	0,30	2,1	2,8
2,08	0,40	1,6	2,15
3,46	0,45	1,4	1,85
5,19	0,50	1,26	1,7

Designation system



Group 4					
4.1	4.2	4.3	4.4	4.5	4.6

Group 4.6: Other variants

- VP311** SKF Food Line bearing: Blue-coloured contact seal made of FDA and EC approved NBR and lubricant (GFJ) registered by NSF as category H1
- VQ658** Quiet running properties

Group 4.5: Lubrication

- GE2
 - GFJ
 - GJN
 - HT
 - LHT23
 - LT
 - LT10
 - MT33
 - MT47
 - VT378
 - WT
- } Grease suffixes ([table 3, page 245](#))

Group 4.4: Stabilization

- S0** Bearing rings heat stabilized for operating temperatures ≤ 150 °C (300 °F)
- S1** Bearing rings heat stabilized for operating temperatures ≤ 200 °C (390 °F)

Group 4.3: Bearing sets, matched bearings

- DB** Two bearings matched for mounting back-to-back
- DF** Two bearings matched for mounting face-to-face
- DT** Two bearings matched for mounting in tandem

Group 4.2: Accuracy, clearance, preload, quiet running

- P5** Dimensional and running tolerances to class P5
- P6** Dimensional and running tolerances to class P6
- P52** P5 + C2
- P62** P6 + C2
- P63** P6 + C3
- CN** Normal radial internal clearance; only used together with an additional letter that identifies a reduced or displaced clearance range
 H = Reduced clearance range corresponding to the upper half of the actual clearance range
 L = Reduced clearance range corresponding to the lower half of the actual clearance range
 P = Displaced clearance range comprising the upper half of the actual clearance range plus the lower half of the next larger clearance range
 The above letters are also used together with the clearance classes C2, C3, C4 and C5, e.g. C2H.
- C1** Radial internal clearance smaller than C2
- C2** Radial internal clearance smaller than Normal
- C3** Radial internal clearance greater than Normal
- C4** Radial internal clearance greater than C3
- C5** Radial internal clearance greater than C4
- CA** Matched bearing set with small axial internal clearance
- GA** Matched bearing set with light preload

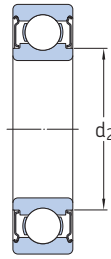
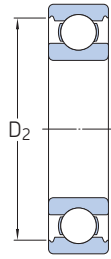
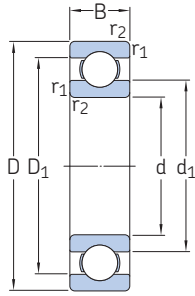
Group 4.1: Materials, heat treatment

- HA1** Case-hardened inner and outer rings

1.1 Single row deep groove ball bearings

d 3 – 6 mm

1.1



2Z



2RSL



2RZ



2RS1



2RSH

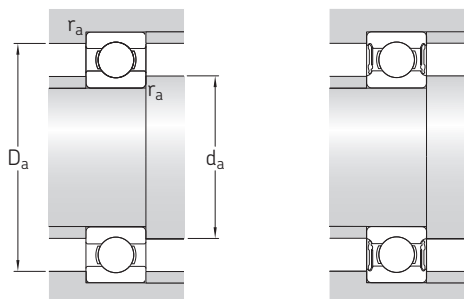
ZZ

Principal dimensions			Basic load ratings		Fatigue load limit	Speed ratings		Mass	Designations		
d	D	B	C	C ₀	P _u	Reference speed	Limiting speed ¹⁾		Bearing open or capped on both sides	capped on one side ¹⁾	
mm			kN		kN	r/min		kg	–		
3	10	4	0,54	0,18	0,007	130 000	80 000	0,0015	▶ 623	–	
	10	4	0,54	0,18	0,007	–	40 000	0,0015	▶ 623-2RS1	623-RS1	
	10	4	0,54	0,18	0,007	130 000	60 000	0,0015	▶ 623-2Z	623-Z	
4	9	2,5	0,423	0,116	0,005	140 000	85 000	0,0007	618/4	–	
	9	3,5	0,54	0,18	0,07	140 000	70 000	0,001	628/4-2Z	–	
	9	4	0,54	0,18	0,07	140 000	70 000	0,0013	638/4-2Z	–	
	11	4	0,624	0,18	0,008	130 000	63 000	0,0017	619/4-2Z	–	
	11	4	0,624	0,18	0,008	130 000	80 000	0,0017	619/4	–	
	12	4	0,806	0,28	0,012	120 000	75 000	0,0021	604	–	
	12	4	0,806	0,28	0,012	120 000	60 000	0,0021	▶ 604-2Z	604-Z	
	13	5	0,936	0,29	0,012	110 000	67 000	0,0031	▶ 624	–	
	13	5	0,936	0,29	0,012	110 000	53 000	0,0031	▶ 624-2Z	624-Z	
	16	5	1,11	0,38	0,016	95 000	60 000	0,0054	634	–	
	16	5	1,11	0,38	0,016	–	28 000	0,0054	634-2RS1	634-RS1	
	16	5	1,11	0,38	0,016	95 000	48 000	0,0054	634-2RZ	634-RZ	
	16	5	1,11	0,38	0,016	95 000	48 000	0,0054	▶ 634-2Z	634-Z	
	5	11	3	0,468	0,143	0,006	120 000	75 000	0,0012	618/5	–
		11	4	0,64	0,26	0,011	120 000	60 000	0,0014	628/5-2Z	–
11		5	0,64	0,26	0,011	120 000	60 000	0,0016	638/5-2Z	–	
13		4	0,884	0,335	0,014	110 000	50 000	0,0025	619/5-2Z	–	
13		4	0,884	0,335	0,014	110 000	70 000	0,0025	619/5	–	
16		5	1,14	0,38	0,016	95 000	60 000	0,005	▶ 625	–	
16		5	1,14	0,38	0,016	95 000	48 000	0,005	▶ 625-2Z	625-Z	
19		6	2,34	0,95	0,04	80 000	50 000	0,0085	635	–	
19		6	2,34	0,95	0,04	–	24 000	0,009	635-2RS1	635-RS1	
19		6	2,34	0,95	0,04	80 000	40 000	0,009	635-2RZ	635-RZ	
19		6	2,34	0,95	0,04	80 000	40 000	0,0093	▶ 635-2Z	635-Z	
6		13	3,5	0,715	0,224	0,01	110 000	67 000	0,002	618/6	–
	13	5	0,88	0,35	0,015	110 000	53 000	0,0026	628/6-2Z	–	
	15	5	0,884	0,27	0,011	100 000	50 000	0,0039	619/6-2Z	–	
	15	5	0,884	0,27	0,011	100 000	63 000	0,0039	619/6	–	
	19	6	2,34	0,95	0,04	80 000	50 000	0,0081	▶ 626	–	
	19	6	2,34	0,95	0,04	–	24 000	0,0083	▶ 626-2RSH	626-RSH	
	19	6	2,34	0,95	0,04	80 000	40 000	0,0083	▶ 626-2RSL	626-RSL	
	19	6	2,34	0,95	0,04	80 000	40 000	0,0088	▶ 626-2Z	626-Z	

SKF Explorer bearing

▶ Popular item

¹⁾ For bearings with only one shield or one non-contact seal (Z, RZ) the limiting speeds of the open bearings are valid.

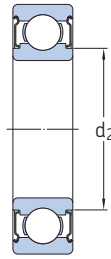
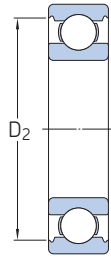
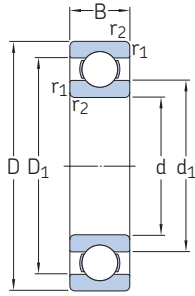


Dimensions						Abutment and fillet dimensions				Calculation factors		
d	d ₁ ≈	d ₂ ≈	D ₁ ≈	D ₂ ≈	r _{1,2} min.	d _a min.	d _a max.	D _a max.	r _a max.	k _r	f ₀	
mm						mm				-		
3	5,2	-	-	8,2	0,15	4,2	-	8,8	0,1	0,025	7,5	
	5,2	-	-	8,2	0,15	4,2	5,1	8,8	0,1	0,025	7,5	
	5,2	-	-	8,2	0,15	4,2	5,1	8,8	0,1	0,025	7,5	
4	5,2	-	7,5	-	0,1	4,6	-	8,4	0,1	0,015	6,5	
	5,2	-	-	8,1	0,1	4,6	5,1	8,4	0,1	0,015	10	
	5,2	-	-	8,1	0,1	4,6	5,1	8,4	0,1	0,015	10	
	6,1	-	-	9,9	0,15	4,8	5,8	10,2	0,1	0,02	6,4	
	6,1	-	-	9,9	0,15	4,8	-	10,2	0,1	0,02	6,4	
	6,1	-	-	9,8	0,2	5,4	-	10,6	0,2	0,025	10	
	6,1	-	-	9,8	0,2	5,4	6	10,6	0,2	0,025	10	
	6,7	-	-	11,2	0,2	5,8	-	11,2	0,2	0,025	10	
	6,7	-	-	11,2	0,2	5,8	6,6	11,2	0,2	0,025	7,3	
	8,4	-	-	13,3	0,3	6,4	-	13,6	0,3	0,03	8,4	
	8,4	-	-	13,3	0,3	6,4	8,3	13,6	0,3	0,03	8,4	
	8,4	-	-	13,3	0,3	6,4	8,3	13,6	0,3	0,03	8,4	
	8,4	-	-	13,3	0,3	6,4	8,3	13,6	0,3	0,03	8,4	
	5	6,8	-	9,2	-	0,15	5,8	-	10,2	0,1	0,015	7,1
		6,8	-	-	9,9	0,15	5,8	6,7	10,2	0,1	0,015	11
-		6,2	-	9,9	0,15	5,8	6	10,2	0,1	0,015	11	
7,5		-	-	11,2	0,2	6,4	7,5	11,6	0,2	0,02	11	
7,5		-	-	11,2	0,2	6,4	-	11,6	0,2	0,02	11	
8,4		-	-	13,3	0,3	7,4	-	13,6	0,3	0,025	8,4	
8,4		-	-	13,3	0,3	7,4	8,3	13,6	0,3	0,025	8,4	
11,1		-	-	16,5	0,3	7,4	-	16,6	0,3	0,03	13	
11,1		-	-	16,5	0,3	7,4	10,6	16,6	0,3	0,03	13	
11,1		-	-	16,5	0,3	7,4	10,6	16,6	0,3	0,03	13	
11,1		-	-	16,5	0,3	7,4	10,6	16,6	0,3	0,03	13	
6		8	-	11	-	0,15	6,8	-	12,2	0,1	0,015	7
		-	7,4	-	11,7	0,15	6,8	7,2	12,2	0,1	0,015	11
		8,2	-	-	13	0,2	7,4	8	13,6	0,2	0,02	6,8
		8,2	-	-	13	0,2	7,4	-	13,6	0,2	0,02	6,8
	11,1	-	-	16,5	0,3	8,4	-	16,6	0,3	0,025	13	
	-	9,5	-	16,5	0,3	8,4	9,4	16,6	0,3	0,025	13	
	-	9,5	-	16,5	0,3	8,4	9,4	16,6	0,3	0,025	13	
	11,1	-	-	16,5	0,3	8,4	11	16,6	0,3	0,025	13	

1.1 Single row deep groove ball bearings

d 7 – 9 mm

1.1



ZZ



2RSL



2RZ



2RS1



2RS1



2RSH

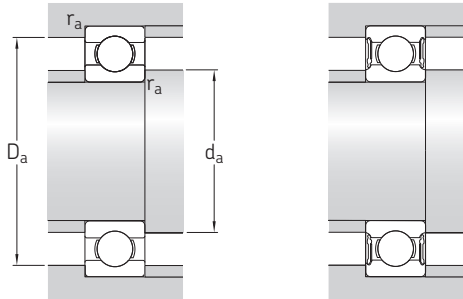
ZZ

Principal dimensions			Basic load ratings		Fatigue load limit	Speed ratings		Mass	Designations		
d	D	B	C	C ₀	P _u	Reference speed	Limiting speed ¹⁾		Bearing open or capped on both sides	capped on one side ¹⁾	
mm			kN		kN	r/min		kg	–		
7	14	3,5	0,78	0,26	0,011	100 000	63 000	0,0022	618/7	–	
	14	5	0,956	0,4	0,017	100 000	50 000	0,0031	628/7-2Z	–	
	17	5	1,06	0,375	0,016	90 000	45 000	0,0049	619/7-2Z	–	
	17	5	1,06	0,375	0,016	90 000	56 000	0,0049	619/7	–	
	19	6	2,34	0,95	0,04	85 000	53 000	0,0076	▶ 607	–	
	19	6	2,34	0,95	0,04	–	24 000	0,0078	▶ 607-2RSH	607-RSH	
	19	6	2,34	0,95	0,04	85 000	43 000	0,0078	▶ 607-2RSL	607-RSL	
	19	6	2,34	0,95	0,04	85 000	43 000	0,0084	▶ 607-2Z	607-Z	
	22	7	3,45	1,37	0,057	70 000	45 000	0,012	▶ 627	–	
	22	7	3,45	1,37	0,057	–	22 000	0,013	▶ 627-2RSH	627-RSH	
	22	7	3,45	1,37	0,057	70 000	36 000	0,013	▶ 627-2RSL	627-RSL	
	22	7	3,45	1,37	0,057	70 000	36 000	0,013	▶ 627-2Z	627-Z	
	8	16	4	0,819	0,3	0,012	90 000	56 000	0,003	618/8	–
		16	5	1,33	0,57	0,024	–	26 000	0,0036	▶ 628/8-2RS1	–
		16	5	1,33	0,57	0,024	90 000	45 000	0,0036	▶ 628/8-2Z	–
16		6	1,33	0,57	0,024	90 000	45 000	0,0043	638/8-2Z	–	
19		6	1,46	0,465	0,02	–	24 000	0,0071	619/8-2RS1	–	
19		6	1,46	0,465	0,02	85 000	43 000	0,0071	619/8-2Z	–	
19		6	1,46	0,465	0,02	85 000	53 000	0,0071	619/8	–	
19		6	2,34	0,95	0,04	85 000	43 000	0,0072	607/8-2Z	607/8-Z	
22		7	3,45	1,37	0,057	75 000	48 000	0,012	▶ 608	–	
22		7	3,45	1,37	0,057	–	22 000	0,012	▶ 608-2RSH	▶ 608-RSH	
22		7	3,45	1,37	0,057	75 000	38 000	0,012	▶ 608-2RSL	608-RSL	
22		7	3,45	1,37	0,057	75 000	38 000	0,013	▶ 608-2Z	608-Z	
22		11	3,45	1,37	0,057	–	22 000	0,016	▶ 630/8-2RS1	–	
24		8	3,9	1,66	0,071	63 000	40 000	0,018	628	–	
24		8	3,9	1,66	0,071	–	19 000	0,017	628-2RS1	628-RS1	
24		8	3,9	1,66	0,071	63 000	32 000	0,017	628-2RZ	628-RZ	
24		8	3,9	1,66	0,071	63 000	32 000	0,018	▶ 628-2Z	628-Z	
28		9	1,33	0,57	0,024	60 000	30 000	0,03	638-2RZ	638-RZ	
9	17	4	0,871	0,34	0,014	85 000	53 000	0,0034	618/9	–	
	17	5	1,43	0,64	0,027	–	24 000	0,0043	628/9-2RS1	–	
	17	5	1,43	0,64	0,027	85 000	43 000	0,0043	628/9-2Z	628/9-Z	
	20	6	2,34	0,98	0,043	80 000	40 000	0,0076	619/9-2Z	–	
	20	6	2,34	0,98	0,043	80 000	50 000	0,0076	619/9	–	
	24	7	3,9	1,66	0,071	70 000	43 000	0,014	▶ 609	–	

SKF Explorer bearing

▶ Popular item

¹⁾ For bearings with only one shield or one non-contact seal (Z, RZ) the limiting speeds of the open bearings are valid.

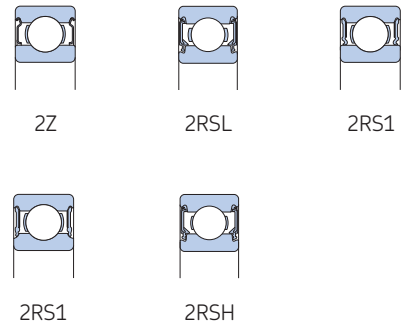
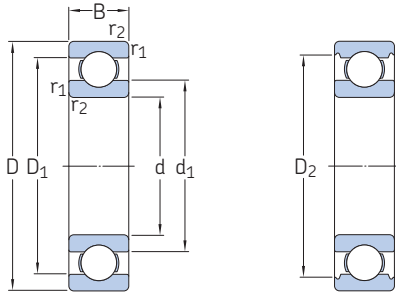


Dimensions						Abutment and fillet dimensions				Calculation factors		
d	d ₁ ≈	d ₂ ≈	D ₁ ≈	D ₂ ≈	r _{1,2} min.	d _a min.	d _a max.	D _a max.	r _a max.	k _r	f ₀	
mm						mm				–		
7	9	–	12	–	0,15	7,8	–	13,2	0,1	0,015	7,2	
	–	8,5	–	12,7	0,15	7,8	8	13,2	0,1	0,015	11	
	10,4	–	–	14,3	0,3	9	9,7	15	0,3	0,02	7,3	
	10,4	–	–	14,3	0,3	9	–	15	0,3	0,02	7,3	
	11,1	–	–	16,5	0,3	9	–	17	0,3	0,025	13	
	–	9,5	–	16,5	0,3	9	9,4	17	0,3	0,025	13	
	–	9,5	–	16,5	0,3	9	9,4	17	0,3	0,025	13	
	11,1	–	–	16,5	0,3	9	11	17	0,3	0,025	13	
	12,1	–	–	19,2	0,3	9,4	–	19,6	0,3	0,025	12	
	–	10,5	–	19,2	0,3	9,4	10,5	19,6	0,3	0,025	12	
	–	10,5	–	19,2	0,3	9,4	10,5	19,6	0,3	0,025	12	
	12,1	–	–	19,2	0,3	9,4	12,1	19,6	0,3	0,025	12	
	8	10,5	–	13,5	–	0,2	9,4	–	14,6	0,2	0,015	7,5
		10,1	–	–	14,2	0,2	9,4	9,4	14,6	0,2	0,015	11
10,1		–	–	14,2	0,2	9,4	10	14,6	0,2	0,015	11	
–		9,6	–	14,2	0,2	9,4	9,5	14,6	0,2	0,015	11	
–		9,8	–	16,7	0,3	9,5	9,8	17	0,3	0,02	6,6	
–		9,8	–	16,7	0,3	9,5	9,8	17	0,3	0,02	6,6	
10,5		–	–	16,7	0,3	10	–	17	0,3	0,02	6,6	
11,1		–	–	16,5	0,3	10	11	17	0,3	0,025	13	
12,1		–	–	19,2	0,3	10	–	20	0,3	0,025	12	
–		10,5	–	19,2	0,3	10	10,5	20	0,3	0,025	12	
–		10,5	–	19,2	0,3	10	10,5	20	0,3	0,025	12	
12,1		–	–	19,2	0,3	10	12	20	0,3	0,025	12	
11,8		–	–	19	0,3	10	11,7	20	0,3	0,025	12	
14,4		–	–	21,2	0,3	10,4	–	21,6	0,3	0,025	13	
14,4		–	–	21,2	0,3	10,4	14,4	21,6	0,3	0,025	13	
14,4		–	–	21,2	0,3	10,4	14,4	21,6	0,3	0,025	13	
14,4		–	–	21,2	0,3	10,4	14,4	21,6	0,3	0,025	13	
14,8		–	–	22,6	0,3	10,4	14,7	25,6	0,3	0,03	12	
9		11,5	–	14,5	–	0,2	10,4	–	15,6	0,2	0,015	7,7
		–	10,7	–	15,2	0,2	10,4	10,5	15,6	0,2	0,015	11
	–	10,7	–	15,2	0,2	10,4	10,5	15,6	0,2	0,015	11	
	11,6	–	–	17,5	0,3	11	11,5	18	0,3	0,02	12	
	11,6	–	–	17,5	0,3	11	–	18	0,3	0,02	12	
	14,4	–	–	21,2	0,3	11	–	22	0,3	0,025	13	

1.1 Single row deep groove ball bearings

d 9 – 10 mm

1.1

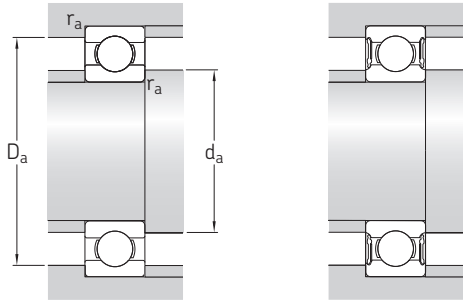


Principal dimensions			Basic load ratings		Fatigue load limit	Speed ratings		Mass	Designations	
d	D	B	dynamic	static		Reference speed	Limiting speed ¹⁾		Bearing open or capped on both sides	capped on one side ¹⁾
mm			kN		kN	r/min	kg	–		
9 cont.	24	7	3,9	1,66	0,071	–	19 000	0,015	▶ 609-2RSH	609-RSH
	24	7	3,9	1,66	0,071	70 000	34 000	0,014	▶ 609-2RSL	609-RSL
	24	7	3,9	1,66	0,071	70 000	34 000	0,015	▶ 609-2Z	609-Z
	26	8	4,75	1,96	0,083	60 000	38 000	0,02	▶ 629	–
	26	8	4,75	1,96	0,083	–	19 000	0,02	▶ 629-2RSH	629-RSH
	26	8	4,75	1,96	0,083	60 000	30 000	0,02	▶ 629-2RSL	629-RSL
	26	8	4,75	1,96	0,083	60 000	30 000	0,021	▶ 629-2Z	629-Z
10	19	5	1,72	0,83	0,036	–	22 000	0,0055	61800-2RS1	–
	19	5	1,72	0,83	0,036	80 000	38 000	0,0055	61800-2Z	–
	19	5	1,72	0,83	0,036	80 000	48 000	0,0053	61800	–
	22	6	2,7	1,27	0,054	–	20 000	0,01	61900-2RS1	–
	22	6	2,7	1,27	0,054	70 000	36 000	0,01	61900-2Z	–
	22	6	2,7	1,27	0,054	70 000	45 000	0,01	61900	–
	26	8	4,75	1,96	0,083	67 000	40 000	0,019	▶ 6000	–
	26	8	4,75	1,96	0,083	–	19 000	0,019	▶ 6000-2RSH	6000-RSH
	26	8	4,75	1,96	0,083	67 000	34 000	0,019	▶ 6000-2RSL	6000-RSL
	26	8	4,75	1,96	0,083	67 000	34 000	0,02	▶ 6000-2Z	▶ 6000-Z
	26	12	4,62	1,96	0,083	–	19 000	0,025	63000-2RS1	–
	28	8	5,07	2,36	0,1	60 000	30 000	0,026	16100-2Z	–
	28	8	5,07	2,36	0,1	60 000	38 000	0,024	16100	–
	30	9	5,4	2,36	0,1	56 000	36 000	0,031	▶ 6200	–
	30	9	5,4	2,36	0,1	–	17 000	0,032	▶ 6200-2RSH	6200-RSH
30	9	5,4	2,36	0,1	56 000	28 000	0,032	▶ 6200-2RSL	6200-RSL	
30	9	5,4	2,36	0,1	56 000	28 000	0,034	▶ 6200-2Z	6200-Z	
30	14	5,07	2,36	0,1	–	17 000	0,04	62200-2RS1	–	
35	11	8,52	3,4	0,143	50 000	32 000	0,053	▶ 6300	–	
35	11	8,52	3,4	0,143	–	15 000	0,054	▶ 6300-2RSH	6300-RSH	
35	11	8,52	3,4	0,143	50 000	26 000	0,053	6300-2RSL	6300-RSL	
35	11	8,52	3,4	0,143	50 000	26 000	0,055	▶ 6300-2Z	6300-Z	
35	17	8,06	3,4	0,143	–	15 000	0,06	62300-2RS1	–	

SKF Explorer bearing

▶ Popular item

¹⁾ For bearings with only one shield or one non-contact seal (Z, RZ) the limiting speeds of the open bearings are valid.

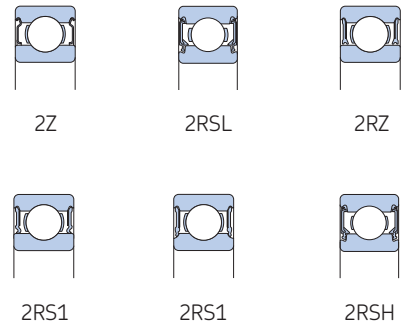
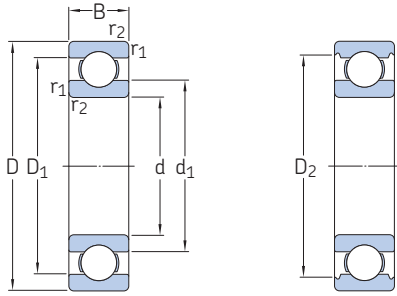


Dimensions						Abutment and fillet dimensions				Calculation factors	
d	d ₁ ≈	d ₂ ≈	D ₁ ≈	D ₂ ≈	r _{1,2} min.	d _a min.	d _a max.	D _a max.	r _a max.	k _r	f ₀
mm						mm				–	
9 cont.	–	12,8	–	21,2	0,3	11	12,5	22	0,3	0,025	13
	–	12,8	–	21,2	0,3	11	12,5	22	0,3	0,025	13
	14,4	–	–	21,2	0,3	11	14,3	22	0,3	0,025	13
	14,8	–	–	22,6	0,3	11,4	–	23,6	0,3	0,025	12
	–	12,5	–	22,6	0,3	11,4	12,5	23,6	0,3	0,025	12
	–	12,5	–	22,6	0,3	11,4	12,5	23,6	0,3	0,025	12
	14,8	–	–	22,6	0,3	11,4	14,7	23,6	0,3	0,025	12
10	–	11,8	–	17,2	0,3	11,8	11,8	17	0,3	0,015	15
	12,7	–	–	17,2	0,3	12	12,5	17	0,3	0,015	15
	12,7	–	16,3	–	0,3	12	–	17	0,3	0,015	15
	–	13,2	–	19,4	0,3	12	12	20	0,3	0,02	14
	13,9	–	–	19,4	0,3	12	12,9	20	0,3	0,02	14
	13,9	–	18,2	–	0,3	12	–	20	0,3	0,02	14
	14,8	–	–	22,6	0,3	12	–	24	0,3	0,025	12
	–	12,5	–	22,6	0,3	12	12,5	24	0,3	0,025	12
	–	12,5	–	22,6	0,3	12	12,5	24	0,3	0,025	12
	14,8	–	–	22,6	0,3	12	14,7	24	0,3	0,025	12
	14,8	–	–	22,6	0,3	12	14,7	24	0,3	0,025	12
	17	–	–	24,8	0,3	14,2	16,6	23,8	0,3	0,025	13
	17	–	–	24,8	0,3	14,2	–	23,8	0,3	0,025	13
	17	–	–	24,8	0,6	14,2	–	25,8	0,6	0,025	13
	–	15	–	24,8	0,6	14,2	15	25,8	0,6	0,025	13
	–	15	–	24,8	0,6	14,2	15	25,8	0,6	0,025	13
	17	–	–	24,8	0,6	14,2	16,9	25,8	0,6	0,025	13
	17	–	–	24,8	0,6	14,2	16,9	25,8	0,6	0,025	13
	17,5	–	–	28,7	0,6	14,2	–	30,8	0,6	0,03	11
	–	15,5	–	28,7	0,6	14,2	15,5	30,8	0,6	0,03	11
	–	15,5	–	28,7	0,6	14,2	15,5	30,8	0,6	0,03	11
17,5	–	–	28,7	0,6	14,2	17,4	30,8	0,6	0,03	11	
17,5	–	–	28,7	0,6	14,2	17,4	30,8	0,6	0,03	11	

1.1 Single row deep groove ball bearings

d 12 – 15 mm

1.1

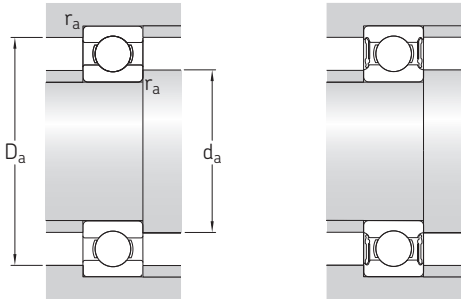


Principal dimensions			Basic load ratings		Fatigue load limit	Speed ratings		Mass	Designations	
d	D	B	C	C ₀		Reference speed	Limiting speed ¹⁾		Bearing open or capped on both sides	capped on one side ¹⁾
mm			kN		kN	r/min		kg	–	
12	21	5	1,74	0,915	0,039	–	20 000	0,0063	▶ 61801-2RS1	–
	21	5	1,74	0,915	0,039	70 000	36 000	0,0063	▶ 61801-2Z	–
	21	5	1,74	0,915	0,039	70 000	43 000	0,0063	▶ 61801	–
	24	6	2,91	1,46	0,062	–	19 000	0,011	▶ 61901-2RS1	–
	24	6	2,91	1,46	0,062	67 000	32 000	0,011	▶ 61901-2Z	–
	24	6	2,91	1,46	0,062	67 000	40 000	0,011	▶ 61901	–
	28	8	5,4	2,36	0,1	60 000	38 000	0,021	▶ 6001	–
	28	8	5,4	2,36	0,1	–	17 000	0,022	▶ 6001-2RSH	6001-RSH
	28	8	5,4	2,36	0,1	60 000	30 000	0,021	▶ 6001-2RSL	6001-RSL
	28	8	5,4	2,36	0,1	60 000	30 000	0,022	▶ 6001-2Z	6001-Z
	28	12	5,07	2,36	0,1	–	17 000	0,029	63001-2RS1	–
	30	8	5,07	2,36	0,1	–	17 000	0,028	16101-2RS1	–
	30	8	5,07	2,36	0,1	56 000	28 000	0,028	16101-2Z	–
	30	8	5,07	2,36	0,1	60 000	38 000	0,026	16101	–
	32	10	7,28	3,1	0,132	50 000	32 000	0,037	▶ 6201	–
	32	10	7,28	3,1	0,132	–	15 000	0,038	▶ 6201-2RSH	6201-RSH
	32	10	7,28	3,1	0,132	50 000	26 000	0,038	▶ 6201-2RSL	6201-RSL
	32	10	7,28	3,1	0,132	50 000	26 000	0,039	▶ 6201-2Z	6201-Z
	32	14	6,89	3,1	0,132	–	15 000	0,045	62201-2RS1	–
	37	12	10,1	4,15	0,176	45 000	28 000	0,06	▶ 6301	–
37	12	10,1	4,15	0,176	–	14 000	0,062	▶ 6301-2RSH	6301-RSH	
37	12	10,1	4,15	0,176	45 000	22 000	0,06	6301-2RSL	6301-RSL	
37	12	10,1	4,15	0,176	45 000	22 000	0,063	▶ 6301-2Z	6301-Z	
37	17	9,75	4,15	0,176	–	14 000	0,07	62301-2RS1	–	
15	24	5	1,9	1,1	0,048	–	17 000	0,0074	▶ 61802-2RS1	–
	24	5	1,9	1,1	0,048	60 000	30 000	0,0074	▶ 61802-2Z	–
	24	5	1,9	1,1	0,048	60 000	38 000	0,0065	▶ 61802	–
	28	7	4,36	2,24	0,095	–	16 000	0,016	▶ 61902-2RS1	–
	28	7	4,36	2,24	0,095	56 000	28 000	0,016	▶ 61902-2RZ	–
	28	7	4,36	2,24	0,095	56 000	28 000	0,016	▶ 61902-2Z	–
	28	7	4,36	2,24	0,095	56 000	34 000	0,016	▶ 61902	–
	32	8	5,85	2,85	0,12	50 000	32 000	0,027	▶ 16002	–
	32	8	5,85	2,85	0,12	50 000	26 000	0,025	▶ 16002-2Z	16002-Z
	32	9	5,85	2,85	0,12	50 000	32 000	0,03	▶ 6002	–
	32	9	5,85	2,85	0,12	–	14 000	0,03	▶ 6002-2RSH	6002-RSH
	32	9	5,85	2,85	0,12	50 000	26 000	0,03	▶ 6002-2RSL	6002-RSL

SKF Explorer bearing

▶ Popular item

¹⁾ For bearings with only one shield or one non-contact seal (Z, RZ) the limiting speeds of the open bearings are valid.

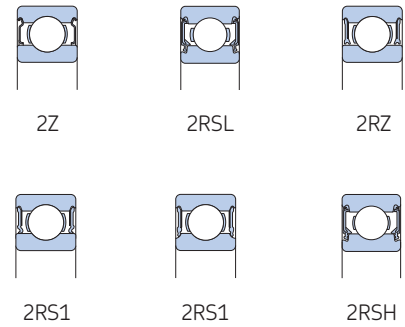
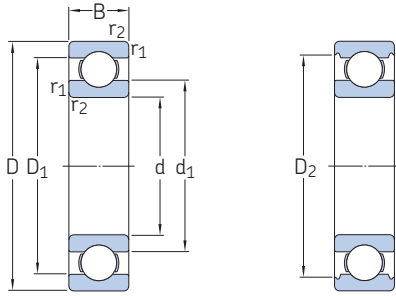


Dimensions						Abutment and fillet dimensions				Calculation factors	
d	d ₁ ≈	d ₂ ≈	D ₁ ≈	D ₂ ≈	r _{1,2} min.	d _a min.	d _a max.	D _a max.	r _a max.	k _r	f ₀
mm						mm				–	
12	–	14,1	–	19	0,3	13,6	13,8	19	0,3	0,015	13
	14,8	–	–	19	0,3	14	14,7	19	0,3	0,015	13
	14,8	–	18,3	–	0,3	14	–	19	0,3	0,015	13
	–	15,3	–	21,4	0,3	14	15,2	22	0,3	0,02	15
	16	–	–	21,4	0,3	14	15,8	22	0,3	0,02	15
	16	–	20,3	–	0,3	14	–	22	0,3	0,02	15
	17	–	–	24,8	0,3	14	–	26	0,3	0,025	13
	–	14,7	–	24,8	0,3	14	15	26	0,3	0,025	13
	–	14,7	–	24,8	0,3	14	15	26	0,3	0,025	13
	17	–	–	24,8	0,3	14	16,9	26	0,3	0,025	13
	17	–	–	24,8	0,3	14	16,9	26	0,3	0,025	13
	17	–	–	24,8	0,3	14,4	16,6	27,6	0,3	0,025	13
	17	–	–	24,8	0,3	14,4	16,6	27,6	0,3	0,025	13
	17	–	–	24,8	0,3	14,4	–	27,6	0,3	0,025	13
	18,4	–	–	27,4	0,6	16,2	–	27,8	0,6	0,025	12
	–	16,2	–	27,4	0,6	16,2	16,5	27,8	0,6	0,025	12
	–	16,2	–	27,4	0,6	16,2	16,5	27,8	0,6	0,025	12
	18,4	–	–	27,4	0,6	16,2	18,4	27,8	0,6	0,025	12
18,5	–	–	27,4	0,6	16,2	18,4	27,8	0,6	0,025	12	
19,5	–	–	31,5	1	17,6	–	31,4	1	0,03	11	
–	17,5	–	31,5	1	17,6	17,8	31,4	1	0,03	11	
–	17,5	–	31,5	1	17,6	17,6	31,4	1	0,03	11	
19,5	–	–	31,5	1	17,6	19,4	31,4	1	0,03	11	
19,5	–	–	31,5	1	17,6	19,4	31,4	1	0,03	11	
15	17,8	–	–	22,2	0,3	17	17,8	22	0,3	0,015	14
	17,8	–	–	22,2	0,3	17	17,8	22	0,3	0,015	14
	17,8	–	21,3	–	0,3	17	–	22	0,3	0,015	14
	18,8	–	–	25,3	0,3	17	18,3	26	0,3	0,02	14
	18,8	–	–	25,3	0,3	17	18,3	26	0,3	0,02	14
	18,8	–	–	25,3	0,3	17	18,3	26	0,3	0,02	14
	18,8	–	–	25,3	0,3	17	–	26	0,3	0,02	14
	20,5	–	–	28,2	0,3	17	–	30	0,3	0,02	14
	20,5	–	–	28,2	0,3	17	20,1	30	0,3	0,02	14
	20,5	–	–	28,2	0,3	17	–	30	0,3	0,025	14
	–	18,3	–	28,2	0,3	17	18,5	30	0,3	0,025	14
	–	18,3	–	28,2	0,3	17	18,5	30	0,3	0,025	14

1.1 Single row deep groove ball bearings

d 15 – 17 mm

1.1

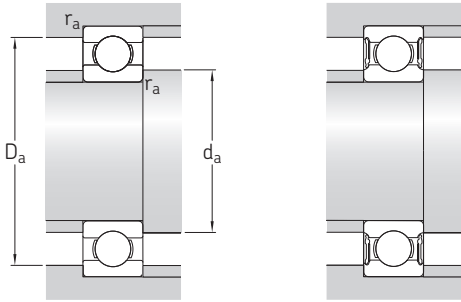


Principal dimensions			Basic load ratings		Fatigue load limit	Speed ratings		Mass	Designations	
d	D	B	dynamic	static		Reference speed	Limiting speed ¹⁾		Bearing open or capped on both sides	capped on one side ¹⁾
mm			kN		kN	r/min		kg	–	
15 cont.	32	9	5,85	2,85	0,12	50 000	26 000	0,032	▶ 6002-Z	6002-Z
	32	13	5,59	2,85	0,12	–	14 000	0,039	▶ 63002-2RS1	–
	35	11	8,06	3,75	0,16	43 000	28 000	0,045	▶ 6202	–
	35	11	8,06	3,75	0,16	–	13 000	0,046	▶ 6202-2RSH	6202-RSH
	35	11	8,06	3,75	0,16	43 000	22 000	0,046	▶ 6202-2RSL	6202-RSL
	35	11	8,06	3,75	0,16	43 000	22 000	0,048	▶ 6202-Z	6202-Z
	35	14	7,8	3,75	0,16	–	13 000	0,054	▶ 62202-2RS1	–
	42	13	11,9	5,4	0,228	38 000	24 000	0,082	▶ 6302	–
	42	13	11,9	5,4	0,228	–	12 000	0,085	▶ 6302-2RSH	6302-RSH
	42	13	11,9	5,4	0,228	38 000	19 000	0,085	▶ 6302-2RSL	6302-RSL
42	13	11,9	5,4	0,228	38 000	19 000	0,086	▶ 6302-Z	6302-Z	
42	17	11,4	5,4	0,228	–	12 000	0,11	▶ 62302-2RS1	–	
52	7	4,49	3,75	0,16	–	7 500	0,034	▶ 61808-2RS1	–	
17	26	5	2,03	1,27	0,054	–	16 000	0,0082	▶ 61803-2RS1	–
	26	5	2,03	1,27	0,054	56 000	28 000	0,0082	▶ 61803-2RZ	–
	26	5	2,03	1,27	0,054	56 000	28 000	0,0082	▶ 61803-Z	–
	26	5	2,03	1,27	0,054	56 000	34 000	0,0075	▶ 61803	–
	30	7	4,62	2,55	0,108	–	14 000	0,017	▶ 61903-2RS1	–
	30	7	4,62	2,55	0,108	50 000	26 000	0,017	▶ 61903-Z	–
	30	7	4,62	2,55	0,108	50 000	26 000	0,018	▶ 61903-2RZ	–
	30	7	4,62	2,55	0,108	50 000	32 000	0,016	▶ 61903	–
	35	8	6,37	3,25	0,137	45 000	22 000	0,032	▶ 16003-Z	–
	35	8	6,37	3,25	0,137	45 000	28 000	0,031	▶ 16003	–
	35	10	6,37	3,25	0,137	45 000	28 000	0,038	▶ 6003	–
	35	10	6,37	3,25	0,137	–	13 000	0,039	▶ 6003-2RSH	6003-RSH
	35	10	6,37	3,25	0,137	45 000	22 000	0,039	▶ 6003-2RSL	6003-RSL
	35	10	6,37	3,25	0,137	45 000	22 000	0,041	▶ 6003-Z	6003-Z
	35	14	6,05	3,25	0,137	–	13 000	0,052	▶ 63003-2RS1	–
	40	12	9,95	4,75	0,2	38 000	24 000	0,065	▶ 6203	–
	40	12	9,95	4,75	0,2	–	12 000	0,067	▶ 6203-2RSH	6203-RSH
40	12	9,95	4,75	0,2	38 000	19 000	0,067	▶ 6203-2RSL	6203-RSL	
40	12	9,95	4,75	0,2	38 000	19 000	0,068	▶ 6203-Z	6203-Z	
40	12	11,4	5,4	0,228	38 000	24 000	0,064	▶ 6203 ETN9	–	
40	16	9,56	4,75	0,2	–	12 000	0,089	▶ 62203-2RS1	–	

SKF Explorer bearing

▶ Popular item

¹⁾ For bearings with only one shield or one non-contact seal (Z, RZ) the limiting speeds of the open bearings are valid.

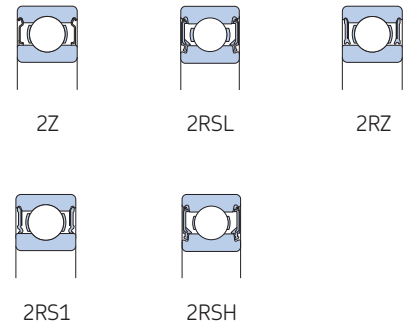
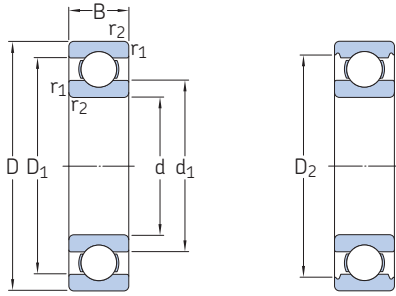


Dimensions						Abutment and fillet dimensions				Calculation factors	
d	d ₁ ≈	d ₂ ≈	D ₁ ≈	D ₂ ≈	r _{1,2} min.	d _a min.	d _a max.	D _a max.	r _a max.	k _r	f ₀
mm						mm				–	
15 cont.	20,5	–	–	28,2	0,3	17	20,4	30	0,3	0,025	14
	20,5	–	–	28,2	0,3	17	20,4	30	0,3	0,025	14
	21,7	–	–	30,5	0,6	19,2	–	30,8	0,6	0,025	13
	–	18,6	–	30,5	0,6	19,2	19,4	31,3	0,6	0,025	13
	–	18,6	–	30,5	0,6	19,2	19,4	30,8	0,6	0,025	13
	21,7	–	–	30,5	0,6	19,2	21,6	30,8	0,6	0,025	13
	21,7	–	–	30,4	0,6	19,2	21,6	30,8	0,6	0,025	13
	23,7	–	–	36,3	1	20,6	–	36,4	1	0,03	12
	–	20,6	–	36,3	1	20,6	21	36,4	1	0,03	12
	–	20,6	–	36,3	1	20,6	21	36,4	1	0,03	12
	23,7	–	–	36,3	1	20,6	23,6	36,4	1	0,03	12
	23,7	–	–	36,3	1	20,6	23,6	36,4	1	0,03	12
–	42,1	–	49,3	0,3	42	42	50	0,3	0,015	15	
17	19,8	–	–	24,2	0,3	18	18,6	24	0,3	0,015	14
	19,8	–	–	24,2	0,3	19	19,6	24	0,3	0,015	14
	19,8	–	–	24,2	0,3	19	19,6	24	0,3	0,015	14
	19,8	–	23,3	–	0,3	19	–	24	0,3	0,015	14
	–	19,4	–	27,7	0,3	19	19,3	28	0,3	0,02	15
	20,4	–	–	27,7	0,3	19	20,3	28	0,3	0,02	15
	20,4	–	–	27,7	0,3	19	20,3	28	0,3	0,02	15
	20,4	–	–	27,7	0,3	19	–	28	0,3	0,02	15
	23	–	–	31,2	0,3	19	22,6	33	0,3	0,02	14
	23	–	–	31,2	0,3	19	–	33	0,3	0,02	14
	23	–	–	31,2	0,3	19	–	33	0,3	0,025	14
	–	20,4	–	31,2	0,3	19	20,5	33	0,3	0,025	14
	–	20,4	–	31,2	0,3	19	20,5	33	0,3	0,025	14
	23	–	–	31,2	0,3	19	22,9	33	0,3	0,025	14
	23	–	–	31,2	0,3	19	22,9	33	0,3	0,025	14
	24,5	–	–	35	0,6	21,2	–	35,8	0,6	0,025	13
	–	21,7	–	35	0,6	21,2	22	35,8	0,6	0,025	13
	–	21,7	–	35	0,6	21,2	22	35,8	0,6	0,025	13
24,5	–	–	35	0,6	21,2	24,4	35,8	0,6	0,025	13	
24,5	–	–	32,7	0,6	21,2	–	35,8	0,6	0,03	12	
–	21,5	–	35	0,6	21,2	24,4	35,8	0,6	0,025	13	

1.1 Single row deep groove ball bearings

d 17 – 22 mm

1.1

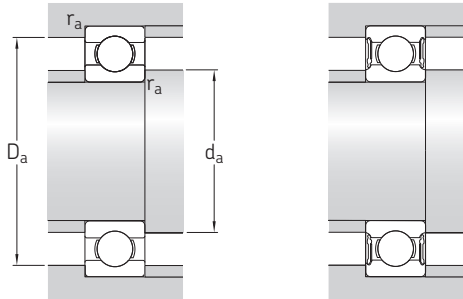


Principal dimensions			Basic load ratings		Fatigue load limit	Speed ratings		Mass	Designations	
d	D	B	C	C ₀		Reference speed	Limiting speed ¹⁾		Bearing open or capped on both sides	capped on one side ¹⁾
mm			kN		kN	r/min	kg	–		
17 cont.	47	14	14,3	6,55	0,275	34 000	22 000	0,11	▶ 6303	–
	47	14	14,3	6,55	0,275	–	11 000	0,12	▶ 6303-2RSH	6303-RSH
	47	14	14,3	6,55	0,275	34 000	17 000	0,12	▶ 6303-2RSL	6303-RSL
	47	14	14,3	6,55	0,275	34 000	17 000	0,12	▶ 6303-2Z	6303-Z
	47	19	13,5	6,55	0,275	–	11 000	0,16	▶ 62303-2RS1	–
	62	17	22,9	10,8	0,455	28 000	18 000	0,27	▶ 6403	–
20	32	7	4,03	2,32	0,104	–	13 000	0,018	▶ 61804-2RS1	–
	32	7	4,03	2,32	0,104	45 000	22 000	0,018	▶ 61804-2RZ	–
	32	7	4,03	2,32	0,104	45 000	28 000	0,018	▶ 61804	–
	37	9	6,37	3,65	0,156	–	12 000	0,038	▶ 61904-2RS1	–
	37	9	6,37	3,65	0,156	43 000	20 000	0,038	▶ 61904-2RZ	–
	37	9	6,37	3,65	0,156	43 000	26 000	0,037	▶ 61904	–
	42	8	7,28	4,05	0,173	38 000	24 000	0,051	▶ 16004	–
	42	12	9,95	5	0,212	38 000	24 000	0,067	▶ 6004	–
	42	12	9,95	5	0,212	–	11 000	0,067	▶ 6004-2RSH	6004-RSH
	42	12	9,95	5	0,212	38 000	19 000	0,069	▶ 6004-2RSL	6004-RSL
	42	12	9,95	5	0,212	38 000	19 000	0,071	▶ 6004-2Z	6004-Z
	42	16	9,36	5	0,212	–	11 000	0,086	▶ 63004-2RS1	–
	47	14	13,5	6,55	0,28	32 000	20 000	0,11	▶ 6204	–
	47	14	13,5	6,55	0,28	–	10 000	0,11	▶ 6204-2RSH	6204-RSH
	47	14	13,5	6,55	0,28	32 000	17 000	0,11	▶ 6204-2RSL	6204-RSL
	47	14	13,5	6,55	0,28	32 000	17 000	0,11	▶ 6204-2Z	6204-Z
	47	14	15,6	7,65	0,325	32 000	20 000	0,098	▶ 6204 ETN9	–
	47	18	12,7	6,55	0,28	–	10 000	0,13	▶ 62204-2RS1	–
	52	15	15,9	7,8	0,335	30 000	15 000	0,15	▶ 6304-2RSL	6304-RSL
	52	15	16,8	7,8	0,335	30 000	19 000	0,14	▶ 6304	–
	52	15	16,8	7,8	0,335	–	9 500	0,15	▶ 6304-2RSH	6304-RSH
52	15	16,8	7,8	0,335	30 000	15 000	0,15	▶ 6304-2Z	6304-Z	
52	15	18,2	9	0,38	30 000	19 000	0,14	▶ 6304 ETN9	–	
52	21	15,9	7,8	0,335	–	9 500	0,21	▶ 62304-2RS1	–	
72	19	30,7	15	0,64	24 000	15 000	0,41	▶ 6404	–	
22	50	14	14	7,65	0,325	–	9 000	0,12	▶ 62/22-2RS1	–
	50	14	14	7,65	0,325	30 000	19 000	0,12	▶ 62/22	–
	56	16	18,6	9,3	0,39	28 000	18 000	0,18	▶ 63/22	–

SKF Explorer bearing

▶ Popular item

¹⁾ For bearings with only one shield or one non-contact seal (Z, RZ) the limiting speeds of the open bearings are valid.

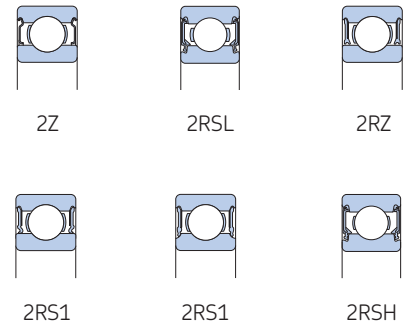
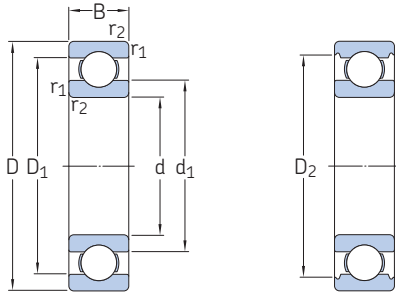


Dimensions						Abutment and fillet dimensions				Calculation factors	
d	d ₁ ≈	d ₂ ≈	D ₁ ≈	D ₂ ≈	r _{1,2} min.	d _a min.	d _a max.	D _a max.	r _a max.	k _r	f ₀
mm						mm				–	
17 cont.	26,5	–	–	39,6	1	22,6	–	41,4	1	0,03	12
	–	23,4	–	39,6	1	22,6	23,5	41,4	1	0,03	12
	–	23,4	–	39,6	1	22,6	23,5	41,4	1	0,03	12
	26,5	–	–	39,6	1	22,6	26,4	41,4	1	0,03	12
	26,5	–	–	39,6	1	22,6	26,4	41,4	1	0,03	12
	32,4	–	–	48,7	1,1	23,5	–	55	1	0,035	11
20	23,8	–	–	29,4	0,6	22	23,6	30	0,3	0,015	15
	23,8	–	–	29,4	0,6	22	23,6	30	0,3	0,015	15
	23,8	–	28,3	–	0,3	22	–	30	0,3	0,015	15
	25,5	–	–	32,7	0,3	22	23	35	0,3	0,02	15
	25,5	–	–	32,7	0,3	22	25,5	35	0,3	0,02	15
	25,5	–	–	32,7	0,3	22	–	35	0,3	0,02	15
	27,2	–	–	37,2	0,3	22	–	40	0,3	0,02	15
	27,2	–	–	37,2	0,6	23,2	–	38,8	0,6	0,025	14
	–	24,6	–	37,2	0,6	23,2	24,5	38,8	0,6	0,025	14
	–	24,6	–	37,2	0,6	23,2	24,5	38,8	0,6	0,025	14
	27,2	–	–	37,2	0,6	23,2	27,1	38,8	0,6	0,025	14
	27,2	–	–	37,2	0,6	23,2	27,1	38,8	0,6	0,025	14
	28,8	–	–	40,6	1	25,6	–	41,4	1	0,025	13
	–	26	–	40,6	1	25,6	26	41,4	1	0,025	13
	–	26	–	40,6	1	25,6	26	41,4	1	0,025	13
	28,8	–	–	40,6	1	25,6	28,7	41,4	1	0,025	13
	28,2	–	39,6	–	1	25,6	–	41,4	1	0,025	12
	28,8	–	–	40,6	1	25,6	28,7	41,4	1	0,025	13
	–	26,9	–	44,8	1,1	27	27	45	1	0,03	12
	30,3	–	–	44,8	1,1	27	–	45	1	0,03	12
	–	26,9	–	44,8	1,1	27	27,3	45	1	0,03	12
	30,3	–	–	44,8	1,1	27	30,3	45	1	0,03	12
	30,3	–	42,6	–	1,1	27	–	45	1	0,03	12
	30,3	–	–	44,8	1,1	27	30,3	45	1	0,03	12
	37,1	–	54,8	–	1,1	29	–	63	1	0,035	11
22	32,2	–	–	44	1	27,6	32	44,4	1	0,025	14
	32,2	–	–	44	1	27,6	–	44,4	1	0,025	14
	32,9	–	45,3	–	1,1	29	–	47	1	0,03	12

1.1 Single row deep groove ball bearings

d 25 – 30 mm

1.1

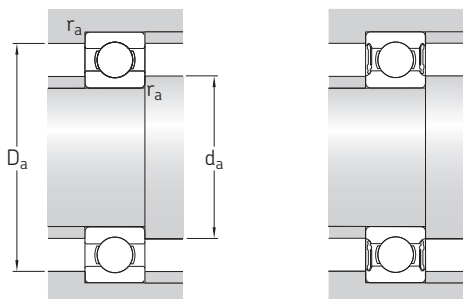


Principal dimensions			Basic load ratings		Fatigue load limit	Speed ratings		Mass	Designations	
d	D	B	C	C ₀	P _u	Reference speed	Limiting speed ¹⁾	kg	Bearing open or capped on both sides	capped on one side ¹⁾
mm			kN		kN	r/min			–	
25	37	7	4,36	2,6	0,125	–	11 000	0,022	▶ 61805-2RS1	–
	37	7	4,36	2,6	0,125	38 000	19 000	0,022	▶ 61805-2RZ	–
	37	7	4,36	2,6	0,125	38 000	24 000	0,022	▶ 61805	–
	42	9	7,02	4,3	0,193	–	10 000	0,045	▶ 61905-2RS1	–
	42	9	7,02	4,3	0,193	36 000	18 000	0,045	▶ 61905-2RZ	–
	42	9	7,02	4,3	0,193	36 000	22 000	0,045	▶ 61905	–
	47	8	8,06	4,75	0,212	32 000	20 000	0,055	▶ 16005	–
	47	12	11,9	6,55	0,275	32 000	20 000	0,078	▶ 6005	–
	47	12	11,9	6,55	0,275	–	9 500	0,081	▶ 6005-2RSH	6005-RSH
	47	12	11,9	6,55	0,275	32 000	16 000	0,08	▶ 6005-2RSL	6005-RSL
	47	12	11,9	6,55	0,275	32 000	16 000	0,083	▶ 6005-2Z	6005-Z
	47	16	11,2	6,55	0,275	–	9 500	0,11	63005-2RS1	–
25	52	15	14,8	7,8	0,335	28 000	18 000	0,13	▶ 6205	–
	52	15	14,8	7,8	0,335	–	8 500	0,13	▶ 6205-2RSH	6205-RSH
	52	15	14,8	7,8	0,335	28 000	14 000	0,13	▶ 6205-2RSL	6205-RSL
	52	15	14,8	7,8	0,335	28 000	14 000	0,13	▶ 6205-2Z	6205-Z
	52	15	17,8	9,3	0,4	28 000	18 000	0,12	6205 ETN9	–
	52	18	14	7,8	0,335	–	8 500	0,13	62205-2RS1	–
	62	17	23,4	11,6	0,49	24 000	16 000	0,23	▶ 6305	–
	62	17	23,4	11,6	0,49	–	7 500	0,24	▶ 6305-2RSH	6305-RSH
	62	17	23,4	11,6	0,49	24 000	13 000	0,23	6305-2RZ	6305-RZ
	62	17	23,4	11,6	0,49	24 000	13 000	0,23	▶ 6305-2Z	6305-Z
	62	17	26	13,4	0,57	24 000	16 000	0,22	6305 ETN9	–
	62	24	22,5	11,6	0,49	–	7 500	0,32	62305-2RS1	–
28	80	21	35,8	19,3	0,815	20 000	13 000	0,54	6405	–
	68	18	25,1	13,7	0,585	22 000	14 000	0,3	62/28	–
28	68	18	25,1	13,7	0,585	22 000	14 000	0,3	63/28	–
	68	18	25,1	13,7	0,585	22 000	14 000	0,3	63/28	–
30	42	7	4,49	2,9	0,146	–	9 500	0,025	▶ 61806-2RS1	–
	42	7	4,49	2,9	0,146	32 000	16 000	0,025	▶ 61806-2RZ	–
	42	7	4,49	2,9	0,146	32 000	20 000	0,025	▶ 61806	–
	47	9	7,28	4,55	0,212	–	8 500	0,051	▶ 61906-2RS1	–
	47	9	7,28	4,55	0,212	30 000	15 000	0,051	▶ 61906-2RZ	–
	47	9	7,28	4,55	0,212	30 000	19 000	0,049	▶ 61906	–

SKF Explorer bearing

▶ Popular item

¹⁾ For bearings with only one shield or one non-contact seal (Z, RZ) the limiting speeds of the open bearings are valid.

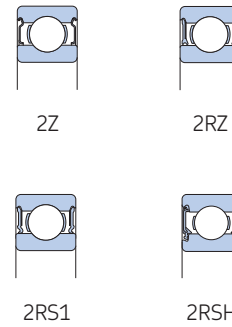
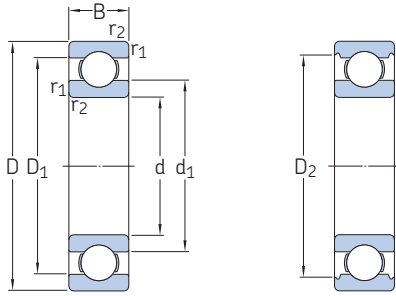


Dimensions						Abutment and fillet dimensions				Calculation factors	
d	d ₁ ≈	d ₂ ≈	D ₁ ≈	D ₂ ≈	r _{1,2} min.	d _a min.	d _a max.	D _a max.	r _a max.	k _r	f ₀
mm						mm				–	
25	–	27,4	–	34,2	0,6	27	27,3	35	0,3	0,015	14
	28,5	–	–	34,2	0,3	27	28,4	35	0,3	0,015	14
	28,5	–	33,2	–	0,6	27	–	35	0,3	0,015	14
	30,2	–	–	37,7	0,6	27	29	40	0,3	0,02	15
	30,2	–	–	37,7	0,6	27	29	40	0,3	0,02	15
	30,2	–	–	37,7	0,6	27	–	40	0,3	0,02	15
	33,3	–	–	42,4	0,3	27	–	45	0,3	0,02	15
	32	–	–	42,2	0,6	28,2	–	43,8	0,6	0,025	14
	–	29,4	–	42,2	0,6	28,2	29,5	43,8	0,6	0,025	14
	–	29,4	–	42,2	0,6	28,2	29,5	43,8	0,6	0,025	14
	32	–	–	42,2	0,6	28,2	31,9	43,8	0,6	0,025	14
	32	–	–	42,2	0,6	29,2	31,9	43,8	0,6	0,025	14
	34,3	–	–	46,3	1	30,6	–	46,4	1	0,025	14
	–	31,3	–	46,3	1	30,6	31,5	46,4	1	0,025	14
	–	31,3	–	46,3	1	30,6	31,5	46,4	1	0,025	14
	34,3	–	–	46,3	1	30,6	34,3	46,4	1	0,025	14
	33,1	–	–	46,3	1	30,6	–	46,4	1	0,025	13
	34,3	–	–	46,3	1	30,6	34,3	46,4	1	0,025	14
	36,6	–	–	52,7	1,1	32	–	55	1	0,03	12
	–	33	–	52,7	1,1	32	33	55	1	0,03	12
36,6	–	–	52,7	1,1	32	36,5	55	1	0,03	12	
36,6	–	–	52,7	1,1	32	36,5	55	1	0,03	12	
36,3	–	51,7	–	1,1	32	–	55	1	0,03	12	
36,6	–	–	52,7	1,1	32	36,5	55	1	0,03	12	
45,4	–	62,9	–	1,5	34	–	71	1,5	0,035	12	
28	37	–	–	51,5	1	33,6	–	52	1	0,025	14
	41,7	–	–	57,8	1,1	35	–	61	1	0,03	13
30	–	32,6	–	39,4	0,6	32	32,5	40	0,3	0,015	14
	33,7	–	–	39,4	0,6	32	33,6	40	0,3	0,015	14
	33,7	–	38,4	–	0,3	32	–	40	0,3	0,015	14
–	34,2	–	42,7	0,3	32	34	45	0,3	0,02	14	
35,2	–	–	42,7	0,3	32	35,1	45	0,3	0,02	14	
35,2	–	–	42,7	0,3	32	–	45	0,3	0,02	14	

1.1 Single row deep groove ball bearings

d 30 – 35 mm

1.1

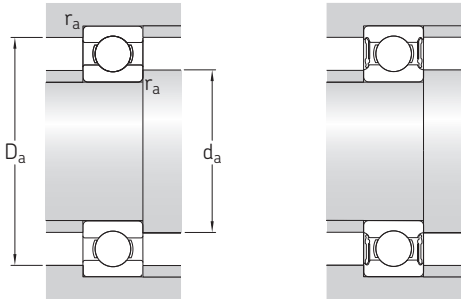


Principal dimensions			Basic load ratings		Fatigue load limit	Speed ratings		Mass	Designations		
d	D	B	dynamic	static		Reference speed	Limiting speed ¹⁾		Bearing open or capped on both sides	capped on one side ¹⁾	
mm			kN		kN	r/min	kg	–			
30 cont.	55	9	11,9	7,35	0,31	28 000	17 000	0,089	▶ 16006	–	
	55	13	13,8	8,3	0,355	28 000	17 000	0,12	▶ 6006	–	
	55	13	13,8	8,3	0,355	–	8 000	0,12	▶ 6006-2RS1	6006-RS1	
	55	13	13,8	8,3	0,355	28 000	14 000	0,12	▶ 6006-2RZ	6006-RZ	
	55	13	13,8	8,3	0,355	28 000	14 000	0,12	▶ 6006-2Z	6006-Z	
	55	19	13,3	8,3	0,355	–	8 000	0,17	63006-2RS1	–	
	62	16	20,3	11,2	0,475	24 000	15 000	0,2	▶ 6206	–	
	62	16	20,3	11,2	0,475	–	7 500	0,21	▶ 6206-2RSH	6206-RSH	
	62	16	20,3	11,2	0,475	24 000	12 000	0,2	▶ 6206-2RZ	6206-RZ	
	62	16	20,3	11,2	0,475	24 000	12 000	0,21	▶ 6206-2Z	6206-Z	
	62	16	23,4	12,9	0,54	24 000	15 000	0,18	6206 ETN9	–	
	62	20	19,5	11,2	0,475	–	7 500	0,25	62206-2RS1	–	
	72	19	29,6	16	0,67	20 000	13 000	0,35	▶ 6306	–	
	72	19	29,6	16	0,67	–	6 300	0,35	▶ 6306-2RSH	▶ 6306-RSH	
	72	19	29,6	16	0,67	20 000	11 000	0,36	6306-2RZ	6306-RZ	
	72	19	29,6	16	0,67	20 000	11 000	0,36	▶ 6306-2Z	6306-Z	
	72	19	32,5	17,3	0,735	22 000	14 000	0,33	6306 ETN9	–	
	72	27	28,1	16	0,67	–	6 300	0,5	62306-2RS1	–	
	35	47	7	4,36	3,35	0,14	–	8 500	0,022	▶ 61807-2RS1	–
		47	7	4,36	3,35	0,14	30 000	15 000	0,03	▶ 61807-2RZ	–
47		7	4,36	3,35	0,14	30 000	18 000	0,029	▶ 61807	–	
55		10	10,8	7,8	0,325	–	7 500	0,08	▶ 61907-2RS1	–	
55		10	10,8	7,8	0,325	26 000	13 000	0,08	▶ 61907-2RZ	–	
55		10	10,8	7,8	0,325	26 000	16 000	0,08	▶ 61907	–	
62		9	13	8,15	0,375	24 000	15 000	0,11	▶ 16007	–	
62		14	16,8	10,2	0,44	24 000	15 000	0,15	▶ 6007	–	
62		14	16,8	10,2	0,44	–	7 000	0,16	▶ 6007-2RS1	6007-RS1	
62		14	16,8	10,2	0,44	24 000	12 000	0,16	6007-2RZ	6007-RZ	
62		14	16,8	10,2	0,44	24 000	12 000	0,16	▶ 6007-2Z	6007-Z	
62		20	15,9	10,2	0,44	–	7 000	0,22	63007-2RS1	–	
72		17	27	15,3	0,655	20 000	13 000	0,29	▶ 6207	–	
72		17	27	15,3	0,655	–	6 300	0,3	▶ 6207-2RSH	▶ 6207-RSH	
72		17	27	15,3	0,655	20 000	10 000	0,3	▶ 6207-2Z	6207-Z	

SKF Explorer bearing

▶ Popular item

¹⁾ For bearings with only one shield or one non-contact seal (Z, RZ) the limiting speeds of the open bearings are valid.

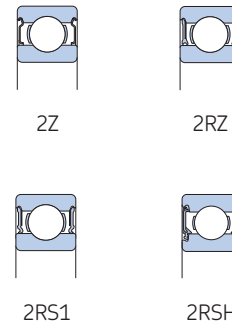
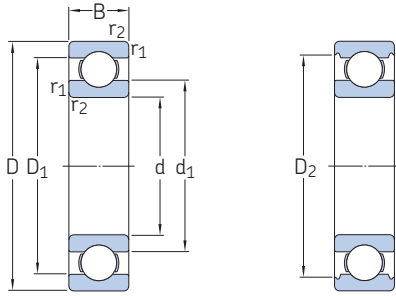


Dimensions						Abutment and fillet dimensions				Calculation factors	
d	d ₁	d ₂	D ₁	D ₂	r _{1,2}	d _a	d _a	D _a	r _a	k _r	f ₀
	≈	≈	≈	≈	min.	min.	max.	max.	max.		
mm						mm					
30 cont.	37,7	–	47,3	–	0,3	32	–	53	0,3	0,02	15
	38,2	–	–	49	1	34,6	–	50	1	0,025	15
	38,2	–	–	49	1	34,6	38,1	50	1	0,025	15
	38,2	–	–	49	1	34,6	38,1	50	1	0,025	15
	38,2	–	–	49	1	34,6	38,1	50	1	0,025	15
	38,2	–	–	49	1	34,6	38,1	50	1	0,025	15
	40,3	–	–	54,1	1	35,6	–	56	1	0,025	14
	–	37,3	–	54,1	1	35,6	37,3	56	1	0,025	14
	40,3	–	–	54,1	1	35,6	40,3	56	1	0,025	14
	40,3	–	–	54,1	1	35,6	40,3	56	1	0,025	14
	39,5	–	52,9	–	1	35,6	–	56	1	0,025	13
	40,3	–	–	54,1	1	35,6	40,3	56	1	0,025	14
	44,6	–	–	61,9	1,1	37	–	65	1	0,03	13
	–	41,1	–	63,2	1,1	37	40,8	65	1	0,03	13
	44,6	–	–	61,9	1,1	37	44,5	65	1	0,03	13
44,6	–	–	61,9	1,1	37	44,5	65	1	0,03	13	
42,3	–	59,6	–	1,1	37	–	65	1	0,03	12	
44,6	–	–	61,9	1,1	37	44,5	65	1	0,03	13	
50,3	–	69,7	–	1,5	41	–	79	1,5	0,035	12	
35	38,2	–	–	44,4	0,3	37	38	45	0,3	0,015	14
	38,2	–	–	44,4	0,3	37	38	45	0,3	0,015	14
	38,2	–	42,8	–	0,3	37	–	45	0,3	0,015	14
	42,2	–	–	52,2	0,6	38,2	41,5	51	0,6	0,02	16
	42,2	–	–	52,2	0,6	38,2	41,5	51	0,6	0,02	16
	42,2	–	–	52,2	0,6	38,2	–	51	0,6	0,02	16
	44	–	53	–	0,3	37	–	60	0,3	0,02	14
	43,7	–	–	55,7	1	39,6	–	57	1	0,025	15
	43,7	–	–	55,7	1	39,6	43,7	57	1	0,025	15
	43,7	–	–	55,7	1	39,6	43,7	57	1	0,025	15
	43,7	–	–	55,7	1	39,6	43,7	57	1	0,025	15
	43,7	–	–	55,7	1	39,6	43,7	57	1	0,025	15
	46,9	–	–	62,7	1,1	42	–	65	1	0,025	14
	–	43,5	–	64,1	1,1	42	43,2	65	1	0,025	14
	46,9	–	–	62,7	1,1	42	46,8	65	1	0,025	14

1.1 Single row deep groove ball bearings

d 35 – 40 mm

1.1

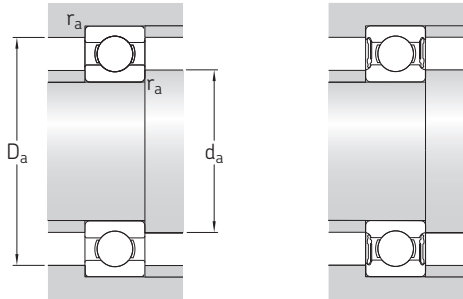


Principal dimensions			Basic load ratings		Fatigue load limit	Speed ratings		Mass	Designations		
d	D	B	dynamic	static		Reference speed	Limiting speed ¹⁾		Bearing open or capped on both sides	capped on one side ¹⁾	
mm			kN		kN	r/min	kg	–			
35 cont.	72	17	31,2	17,6	0,75	20 000	13 000	0,26	6207 ETN9	–	
	72	23	25,5	15,3	0,655	–	6 300	0,4	62207-2RS1	–	
	80	21	35,1	19	0,815	19 000	12 000	0,46	▶ 6307	–	
	80	21	35,1	19	0,815	19 000	17 000	0,54	6307 M	–	
	80	21	35,1	19	0,815	–	6 000	0,46	▶ 6307-2RSH	▶ 6307-RSH	
	80	21	35,1	19	0,815	19 000	9 500	0,48	▶ 6307-2Z	6307-Z	
	80	31	33,2	19	0,815	–	6 000	0,68	62307-2RS1	–	
	100	25	55,3	31	1,29	16 000	10 000	0,97	6407	–	
	40	52	7	4,49	3,75	0,16	26 000	13 000	0,034	▶ 61808-2RZ	–
		52	7	4,49	3,75	0,16	26 000	16 000	0,032	▶ 61808	–
62		12	13,8	10	0,425	–	6 700	0,12	▶ 61908-2RS1	–	
62		12	13,8	10	0,425	24 000	12 000	0,12	▶ 61908-2RZ	–	
62		12	13,8	10	0,425	24 000	14 000	0,12	▶ 61908	–	
68		9	13,8	10,2	0,44	22 000	14 000	0,13	▶ 16008	–	
68		15	17,8	11	0,49	22 000	14 000	0,19	▶ 6008	–	
68		15	17,8	11	0,49	–	6 300	0,2	▶ 6008-2RS1	6008-RS1	
68		15	17,8	11	0,49	22 000	11 000	0,2	6008-2RZ	6008-RZ	
68		15	17,8	11	0,49	22 000	11 000	0,2	▶ 6008-2Z	6008-Z	
68		21	16,8	11	0,49	–	6 300	0,27	63008-2RS1	–	
80		18	32,5	19	0,8	18 000	11 000	0,37	▶ 6208	–	
80		18	32,5	19	0,8	–	5 600	0,37	▶ 6208-2RSH	▶ 6208-RSH	
80		18	32,5	19	0,8	18 000	9 000	0,38	6208-2RZ	6208-RZ	
80		18	32,5	19	0,8	18 000	9 000	0,38	▶ 6208-2Z	6208-Z	
80		18	35,8	20,8	0,88	18 000	11 000	0,34	6208 ETN9	–	
80		23	30,7	19	0,8	–	5 600	0,47	62208-2RS1	–	
90		23	42,3	24	1,02	17 000	11 000	0,63	▶ 6308	–	
90		23	42,3	24	1,02	–	5 000	0,64	▶ 6308-2RSH	▶ 6308-RSH	
90		23	42,3	24	1,02	17 000	8 500	0,65	▶ 6308-2RZ	6308-RZ	
90	23	42,3	24	1,02	17 000	8 500	0,65	▶ 6308-2Z	6308-Z		
90	33	41	24	1,02	–	5 000	0,92	62308-2RS1	–		
110	27	63,7	36,5	1,53	14 000	9 000	1,25	6408	–		

SKF Explorer bearing

▶ Popular item

¹⁾ For bearings with only one shield or one non-contact seal (Z, RZ) the limiting speeds of the open bearings are valid.

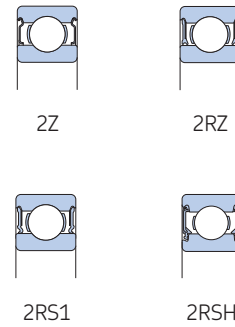
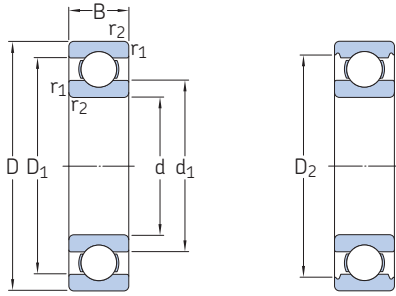


Dimensions						Abutment and fillet dimensions				Calculation factors	
d	d ₁ ≈	d ₂ ≈	D ₁ ≈	D ₂ ≈	r _{1,2} min.	d _a min.	d _a max.	D _a max.	r _a max.	k _r	f ₀
mm						mm				–	
35 cont.	46,1	–	61,7	–	1,1	42	–	65	1	0,025	13
	46,9	–	–	62,7	1,1	42	46,8	65	1	0,025	14
	49,5	–	–	–	69,2	1,5	44	–	71	1,5	0,03
	49,5	–	–	69,2	1,5	44	–	71	1,5	0,03	13
	–	45,9	–	70,2	1,5	44	45,6	71	1,5	0,03	13
	49,5	–	–	69,2	1,5	44	49,5	71	1,5	0,03	13
	49,5	–	–	69,2	1,5	44	49,5	71	1,5	0,03	13
	57,4	–	79,6	–	1,5	46	–	89	1,5	0,035	12
40	43,2	–	–	49,3	0,3	42	43	50	0,3	0,015	15
	43,2	–	48,1	–	0,3	42	–	50	0,3	0,015	15
	46,9	–	–	57,3	0,6	43,2	46,8	58	0,6	0,02	16
	46,9	–	–	57,3	0,6	43,2	46,8	58	0,6	0,02	16
	46,9	–	55,6	–	0,6	43,2	–	58	0,6	0,02	16
	49,4	–	58,6	–	0,3	42	–	66	0,3	0,02	16
	49,2	–	–	61,1	1	44,6	–	63	1	0,025	15
	49,2	–	–	61,1	1	44,6	49,2	63	1	0,025	15
	49,2	–	–	61,1	1	44,6	49,2	63	1	0,025	15
	49,2	–	–	61,1	1	44,6	49,2	63	1	0,025	15
	49,2	–	–	61,1	1	44,6	49,2	63	1	0,025	15
	52,6	–	–	69,8	1,1	47	–	73	1	0,025	14
	–	49,1	–	71,5	1,1	47	48,8	73	1	0,025	14
	52,6	–	–	69,8	1,1	47	52	73	1	0,025	14
	52,6	–	–	69,8	1,1	47	52	73	1	0,025	14
	52	–	68,8	–	1,1	47	–	73	1	0,025	13
	52,6	–	–	69,8	1,1	47	52	73	1	0,025	14
	56,1	–	–	77,7	1,5	49	–	81	1,5	0,03	13
	–	52,3	–	78,6	1,5	49	52	81	1,5	0,03	13
	56,1	–	–	77,7	1,5	49	56	81	1,5	0,03	13
56,1	–	–	77,7	1,5	49	56	81	1,5	0,03	13	
56,1	–	–	77,7	1,5	49	56	81	1,5	0,03	13	
62,8	–	87	–	2	53	–	97	2	0,035	12	

1.1 Single row deep groove ball bearings

d 45 – 50 mm

1.1

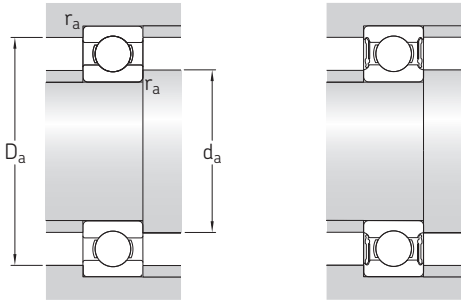


Principal dimensions			Basic load ratings		Fatigue load limit	Speed ratings		Mass	Designations	
d	D	B	dynamic	static		Reference speed	Limiting speed ¹⁾		Bearing open or capped on both sides	capped on one side ¹⁾
mm			kN		kN	r/min	kg	–		
45	58	7	6,63	6,1	0,26	–	6 700	0,04	▶ 61809-2RS1	–
	58	7	6,63	6,1	0,26	22 000	11 000	0,04	▶ 61809-2RZ	–
	58	7	6,63	6,1	0,26	22 000	14 000	0,04	▶ 61809	–
	68	12	14	10,8	0,465	–	6 000	0,14	▶ 61909-2RS1	–
	68	12	14	10,8	0,465	20 000	10 000	0,14	▶ 61909-2RZ	–
	68	12	14	10,8	0,465	20 000	13 000	0,14	▶ 61909	–
	75	10	16,5	10,8	0,52	20 000	12 000	0,17	▶ 16009	–
	75	16	22,1	14,6	0,64	20 000	12 000	0,24	▶ 6009	–
	75	16	22,1	14,6	0,64	–	5 600	0,25	▶ 6009-2RS1	6009-RS1
	75	16	22,1	14,6	0,64	20 000	10 000	0,25	▶ 6009-2Z	6009-Z
	75	23	20,8	14,6	0,64	–	5 600	0,36	63009-2RS1	–
	85	19	35,1	21,6	0,915	17 000	11 000	0,42	▶ 6209	–
	85	19	35,1	21,6	0,915	–	5 000	0,42	▶ 6209-2RSH	▶ 6209-RSH
	85	19	35,1	21,6	0,92	17 000	8 500	0,43	▶ 6209-2Z	6209-Z
	85	23	33,2	21,6	0,915	–	5 000	0,51	62209-2RS1	–
100	25	55,3	31,5	1,34	15 000	9 500	0,84	▶ 6309	–	
100	25	55,3	31,5	1,34	15 000	14 000	0,85	6309 M	–	
100	25	55,3	31,5	1,34	–	4 500	0,85	▶ 6309-2RSH	▶ 6309-RSH	
100	25	55,3	31,5	1,34	15 000	7 500	0,87	▶ 6309-2Z	6309-Z	
100	36	52,7	31,5	1,34	–	4 500	1,2	62309-2RS1	–	
120	29	76,1	45	1,9	13 000	8 500	1,55	6409	–	
50	65	7	6,76	6,8	0,285	–	6 000	0,052	▶ 61810-2RS1	–
	65	7	6,76	6,8	0,285	20 000	10 000	0,052	▶ 61810-2RZ	–
	65	7	6,76	6,8	0,285	20 000	13 000	0,052	▶ 61810	–
	72	12	14,6	11,8	0,5	–	5 600	0,14	▶ 61910-2RS1	–
	72	12	14,6	11,8	0,5	19 000	9 500	0,14	▶ 61910-2RZ	–
	72	12	14,6	11,8	0,5	19 000	12 000	0,14	▶ 61910	–
	80	10	16,8	11,4	0,56	18 000	11 000	0,18	▶ 16010	–
	80	16	22,9	15,6	0,71	18 000	11 000	0,26	▶ 6010	–
	80	16	22,9	15,6	0,71	–	5 000	0,27	▶ 6010-2RS1	6010-RS1
	80	16	22,9	15,6	0,71	18 000	9 000	0,27	6010-2RZ	6010-RZ
	80	16	22,9	15,6	0,71	18 000	9 000	0,27	▶ 6010-2Z	6010-Z
	80	23	21,6	15,6	0,71	–	5 000	0,38	63010-2RS1	–
	90	20	37,1	23,2	0,98	15 000	10 000	0,46	▶ 6210	–
	90	20	37,1	23,2	0,98	15 000	14 000	0,52	6210 M	–
	90	20	37,1	23,2	0,98	–	4 800	0,46	▶ 6210-2RSH	▶ 6210-RSH

SKF Explorer bearing

▶ Popular item

¹⁾ For bearings with only one shield or one non-contact seal (Z, RZ) the limiting speeds of the open bearings are valid.

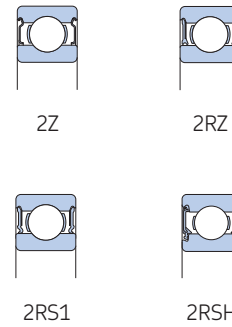
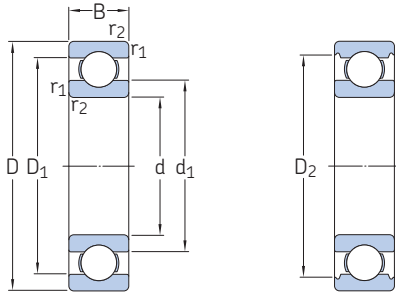


Dimensions						Abutment and fillet dimensions				Calculation factors	
d	d ₁ ≈	d ₂ ≈	D ₁ ≈	D ₂ ≈	r _{1,2} min.	d _a min.	d _a max.	D _a max.	r _a max.	k _r	f ₀
mm						mm				–	
45	48,2	–	–	55,4	0,3	47	49	56	0,3	0,015	17
	48,2	–	–	55,4	0,3	47	49	56	0,3	0,015	17
	48,2	–	54	–	0,3	47	–	56	0,3	0,015	17
	52,4	–	–	62,8	0,6	48,2	52	64	0,6	0,02	16
	52,4	–	–	62,8	0,6	48,2	52	64	0,6	0,02	16
	52,4	–	61,2	–	0,6	48,2	–	64	0,6	0,02	16
	55	–	65	–	0,6	48,2	–	71	0,6	0,02	14
	54,7	–	–	67,8	1	51	–	69	1	0,025	15
	54,7	–	–	67,8	1	51	54	69	1	0,025	15
	54,7	–	–	67,8	1	51	54	69	1	0,025	15
	54,7	–	–	67,8	1	51	54	69	1	0,025	15
	57,6	–	–	75,2	1,1	52	–	78	1	0,025	14
	–	54,1	–	76,5	1,1	52	53	78	1	0,025	14
	57,6	–	–	75,2	1,1	52	57	78	1	0,025	14
	57,6	–	–	75,2	1,1	52	57	78	1	0,025	14
50	62,1	–	–	86,7	1,5	54	–	91	1,5	0,03	13
	62,1	–	–	86,7	1,5	54	–	91	1,5	0,03	13
	–	58,2	–	87,5	1,5	54	57	91	1,5	0,03	13
	62,1	–	–	86,7	1,5	54	62	91	1,5	0,03	13
	62,1	–	–	86,7	1,5	54	62	91	1,5	0,03	13
	68,9	–	95,9	–	2	58	–	107	2	0,035	12
	54,6	–	–	61,8	0,3	52	55	63	0,3	0,015	17
	54,6	–	–	61,8	0,3	52	55	63	0,3	0,015	17
	54,6	–	60,3	–	0,3	52	–	63	0,3	0,015	17
	56,8	–	–	67,3	0,6	54	56	68	0,6	0,02	16
	56,8	–	–	67,3	0,6	54	56	68	0,6	0,02	16
	56,8	–	65,6	–	0,6	54	–	68	0,6	0,02	16
	60	–	70	–	0,6	54	–	76	0,6	0,02	14
	59,7	–	–	72,8	1	55	–	75	1	0,025	15
	59,7	–	–	72,8	1	55	59	75	1	0,025	15
59,7	–	–	72,8	1	55	59	75	1	0,025	15	
59,7	–	–	72,8	1	55	59	75	1	0,025	15	
59,7	–	–	72,8	1	55	59	75	1	0,025	15	
62,5	–	–	81,7	1,1	57	–	83	1	0,025	14	
62,5	–	–	81,7	1,1	57	–	83	1	0,025	14	
–	58,8	–	82,2	1,1	57	58	83	1	0,025	14	

1.1 Single row deep groove ball bearings

d 50 – 55 mm

1.1

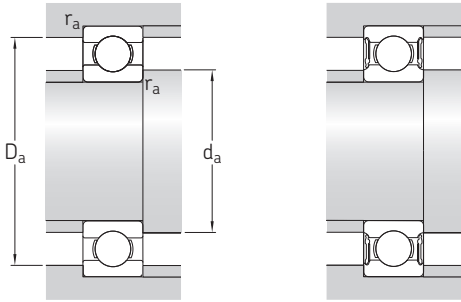


Principal dimensions			Basic load ratings		Fatigue load limit	Speed ratings		Mass	Designations	
d	D	B	C	C ₀		Reference speed	Limiting speed ¹⁾		Bearing open or capped on both sides	capped on one side ¹⁾
mm			kN		kN	r/min	kg	–		
50 cont.	90	20	37,1	23,2	0,98	15 000	8 000	0,47	▶ 6210-2Z	6210-Z
	90	20	37,1	23,2	0,98	15 000	8 000	0,48	▶ 6210-2RZ	6210-RZ
	90	23	35,1	23,2	0,98	–	4 800	0,54	▶ 62210-2RS1	–
	110	27	65	38	1,6	13 000	8 500	1,3	▶ 6310 M	–
	110	27	65	38	1,6	–	4 300	1,1	▶ 6310-2RSH	▶ 6310-RSH
	110	27	65	38	1,6	13 000	8 500	1,1	▶ 6310	–
	110	27	65	38	1,6	13 000	6 700	1,1	▶ 6310-2Z	6310-Z
	110	40	61,8	38	1,6	–	4 300	1,6	▶ 62310-2RS1	–
	130	31	87,1	52	2,2	12 000	7 500	1,95	▶ 6410	–
55	72	9	9,04	8,8	0,375	–	5 300	0,083	▶ 61811-2RS1	–
	72	9	9,04	8,8	0,375	19 000	9 500	0,083	▶ 61811-2RZ	–
	72	9	9,04	8,8	0,375	19 000	12 000	0,083	▶ 61811	–
	80	13	16,5	14	0,6	–	5 000	0,19	▶ 61911-2RS1	–
	80	13	16,5	14	0,6	17 000	8 500	0,19	▶ 61911-2RZ	–
	80	13	16,5	14	0,6	17 000	11 000	0,19	▶ 61911	–
	90	11	20,3	14	0,695	16 000	10 000	0,26	▶ 16011	–
	90	18	29,6	21,2	0,9	16 000	14 000	0,44	▶ 6011 M	–
	90	18	29,6	21,2	0,9	16 000	10 000	0,38	▶ 6011	–
	90	18	29,6	21,2	0,9	–	4 500	0,4	▶ 6011-2RS1	6011-RS1
	90	18	29,6	21,2	0,9	16 000	8 000	0,4	▶ 6011-2Z	6011-Z
	100	21	46,2	29	1,25	14 000	9 000	0,61	▶ 6211	–
	100	21	46,2	29	1,25	14 000	13 000	0,72	▶ 6211 M	–
	100	21	46,2	29	1,25	–	4 300	0,62	▶ 6211-2RSH	▶ 6211-RSH
	100	21	46,2	29	1,25	14 000	7 000	0,64	▶ 6211-2Z	6211-Z
	100	25	43,6	29	1,25	–	4 300	0,75	▶ 62211-2RS1	–
	120	29	74,1	45	1,9	12 000	8 000	1,35	▶ 6311	–
	120	29	74,1	45	1,9	12 000	11 000	1,65	▶ 6311 M	–
	120	29	74,1	45	1,9	–	3 800	1,4	▶ 6311-2RSH	▶ 6311-RSH
	120	29	74,1	45	1,9	12 000	6 300	1,4	▶ 6311-2Z	6311-Z
	120	43	71,5	45	1,9	–	3 800	2,05	▶ 62311-2RS1	–
	140	33	99,5	62	2,6	11 000	7 000	2,35	▶ 6411	–

SKF Explorer bearing

▶ Popular item

¹⁾ For bearings with only one shield or one non-contact seal (Z, RZ) the limiting speeds of the open bearings are valid.

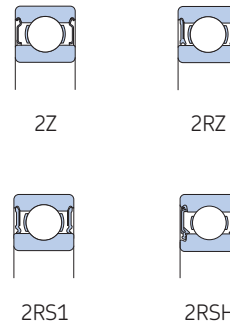
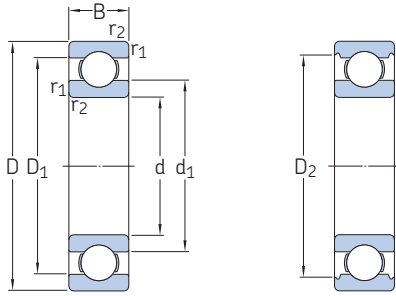


Dimensions						Abutment and fillet dimensions				Calculation factors	
d	d ₁ ≈	d ₂ ≈	D ₁ ≈	D ₂ ≈	r _{1,2} min.	d _a min.	d _a max.	D _a max.	r _a max.	k _r	f ₀
mm						mm				–	
50 cont.	62,5	–	–	81,7	1,1	57	62	83	1	0,025	14
	62,5	–	–	81,7	1,1	57	62	83	1	0,025	14
	62,5	–	–	81,7	1,1	57	62	83	1	0,025	14
	68,7	–	–	95,2	2	61	–	99	2	0,03	13
	–	64,7	–	95,9	2	61	64	99	2	0,03	13
	68,7	–	–	95,2	2	61	–	99	2	0,03	13
	68,7	–	–	95,2	2	61	68	99	2	0,03	13
	68,7	–	–	95,2	2	61	68	99	2	0,03	13
	75,4	–	105	–	2,1	64	–	116	2	0,035	12
	55	60,3	–	–	68,6	0,3	57	60	70	0,3	0,015
60,3		–	–	68,6	0,3	57	60	70	0,3	0,015	17
60,3		–	67	–	0,3	57	–	70	0,3	0,015	17
63		–	–	74,2	1	60	63	75	1	0,02	16
63		–	–	74,2	1	60	63	75	1	0,02	16
63		–	72,3	–	1	60	–	75	1	0,02	16
67		–	78,1	–	0,6	59	–	86	0,6	0,02	14
66,3		–	–	81,5	1,1	61	–	84	1	0,025	15
66,3		–	–	81,5	1,1	61	–	84	1	0,025	15
66,3		–	–	81,5	1,1	61	66	84	1	0,025	15
66,3		–	–	81,5	1,1	61	66	84	1	0,025	15
69		–	–	89,4	1,5	64	–	91	1,5	0,025	14
69		–	–	89,4	1,5	64	–	91	1,5	0,025	14
–		65,2	–	90,5	1,5	64	64	91	1,5	0,025	14
69		–	–	89,4	1,5	64	69	91	1,5	0,025	14
69		–	–	89,4	1,5	64	69	91	1,5	0,025	14
75,3		–	–	104	2	66	–	109	2	0,03	13
75,3		–	–	104	2	66	–	109	2	0,03	13
–		71,1	–	105	2	66	70	109	2	0,03	13
75,3		–	–	104	2	66	75	109	2	0,03	13
75,3		–	–	104	2	66	75	109	2	0,03	13
81,5		–	114	–	2,1	69	–	126	2	0,035	12

1.1 Single row deep groove ball bearings

d 60 – 65 mm

1.1

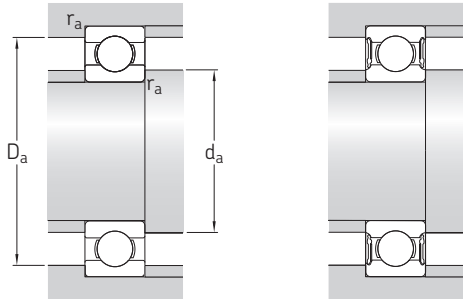


Principal dimensions			Basic load ratings		Fatigue load limit	Speed ratings		Mass	Designations	
d	D	B	C	C ₀		Reference speed	Limiting speed ¹⁾		Bearing open or capped on both sides	capped on one side ¹⁾
mm			kN		kN	r/min	kg	–		
60	78	10	11,9	11,4	0,49	–	4 800	0,11	▶ 61812-2RS1	–
	78	10	11,9	11,4	0,49	17 000	8 500	0,11	▶ 61812-2RZ	–
	78	10	11,9	11,4	0,49	17 000	11 000	0,11	▶ 61812	–
	85	13	16,5	12	0,6	–	4 500	0,21	▶ 61912-2RS1	–
	85	13	16,5	12	0,6	16 000	10 000	0,2	▶ 61912	–
	85	13	16,5	14,3	0,6	16 000	8 000	0,2	▶ 61912-2RZ	–
	95	11	20,8	15	0,735	15 000	9 500	0,29	▶ 16012	–
	95	18	30,7	23,2	0,98	15 000	9 500	0,41	▶ 6012	–
	95	18	30,7	23,2	0,98	–	4 300	0,43	▶ 6012-2RS1	6012-RS1
	95	18	30,7	23,2	0,98	15 000	7 500	0,43	▶ 6012-2RZ	6012-RZ
	95	18	30,7	23,2	0,98	15 000	7 500	0,43	▶ 6012-2Z	6012-Z
	110	22	55,3	36	1,53	13 000	8 000	0,78	▶ 6212	–
	110	22	55,3	36	1,53	13 000	8 000	0,93	▶ 6212 M	–
	110	22	55,3	36	1,53	–	4 000	0,79	▶ 6212-2RSH	▶ 6212-RSH
	110	22	55,3	36	1,53	13 000	6 300	0,81	▶ 6212-2Z	6212-Z
	110	28	52,7	36	1,53	–	4 000	1	▶ 62212-2RS1	–
	130	31	85,2	52	2,2	11 000	7 000	2,1	▶ 6312 M	–
	130	31	85,2	52	2,2	–	3 400	1,75	▶ 6312-2RSH	▶ 6312-RSH
130	31	85,2	52	2,2	11 000	5 600	1,8	▶ 6312-2Z	6312-Z	
130	31	85,2	52	2,2	11 000	7 000	1,7	▶ 6312	–	
130	46	81,9	52	2,2	–	3 400	2,55	▶ 62312-2RS1	–	
150	35	108	69,5	2,9	10 000	6 300	2,85	▶ 6412	–	
65	85	10	12,4	12,7	0,54	–	4 500	0,13	▶ 61813-2RS1	–
	85	10	12,4	12,7	0,54	16 000	8 000	0,13	▶ 61813-2RZ	–
	85	10	12,4	12,7	0,54	16 000	10 000	0,13	▶ 61813	–
	90	13	17,4	16	0,68	–	4 300	0,22	▶ 61913-2RS1	–
	90	13	17,4	16	0,68	15 000	7 500	0,22	▶ 61913-2RZ	–
	90	13	17,4	16	0,68	15 000	9 500	0,22	▶ 61913	–
	100	11	22,5	19,6	0,83	14 000	9 000	0,3	▶ 16013	–
	100	18	31,9	25	1,06	14 000	9 000	0,44	▶ 6013	–
	100	18	31,9	25	1,06	14 000	12 000	0,44	▶ 6013 M	–
	100	18	31,9	25	1,06	–	4 000	0,45	▶ 6013-2RS1	6013-RS1
	100	18	31,9	25	1,06	14 000	7 000	0,46	▶ 6013-2Z	6013-Z
	120	23	58,5	40,5	1,73	12 000	10 000	1,2	▶ 6213 M	–

SKF Explorer bearing

▶ Popular item

¹⁾ For bearings with only one shield or one non-contact seal (Z, RZ) the limiting speeds of the open bearings are valid.

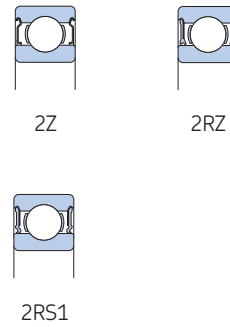
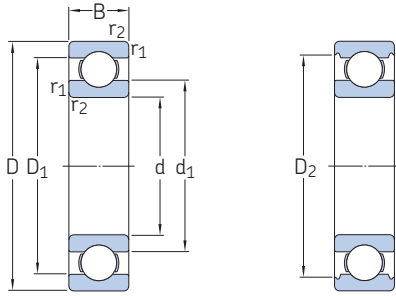


Dimensions						Abutment and fillet dimensions				Calculation factors	
d	d ₁ ≈	d ₂ ≈	D ₁ ≈	D ₂ ≈	r _{1,2} min.	d _a min.	d _a max.	D _a max.	r _a max.	k _r	f ₀
mm						mm				–	
60	65,4	–	–	74,5	0,3	62	65	76	0,3	0,015	17
	65,4	–	–	74,5	0,3	62	65	76	0,3	0,015	17
	65,4	–	72,9	–	0,3	62	–	76	0,3	0,015	17
	68,3	–	–	78,7	1	65	68	80	1	0,02	14
	68,3	–	–	78,7	1	65	–	80	1	0,02	14
	68,3	–	–	78,7	1	65	68	80	1	0,02	16
	72	–	83	–	0,6	64	–	91	0,6	0,02	14
	71,3	–	–	86,5	1,1	66	–	89	1	0,025	16
	71,3	–	–	86,5	1,1	66	71	89	1	0,025	16
	71,3	–	–	86,5	1,1	66	71	89	1	0,025	16
	71,3	–	–	86,5	1,1	66	71	89	1	0,025	16
	75,5	–	–	98	1,5	69	–	101	1,5	0,025	14
	75,5	–	–	98	1,5	69	–	101	1,5	0,025	14
	–	71,5	–	99,5	1,5	69	71	101	1,5	0,025	14
	75,5	–	–	98	1,5	69	75	101	1,5	0,025	14
	75,5	–	–	98	1,5	69	75	101	1,5	0,025	14
	81,8	–	–	113	2,1	72	–	118	2	0,03	13
	–	77,5	–	113	2,1	72	77	118	2	0,03	13
	81,8	–	–	113	2,1	72	81	118	2	0,03	13
	81,8	–	–	113	2,1	72	–	118	2	0,03	13
81,8	–	–	113	2,1	72	81	118	2	0,03	13	
88,1	–	122	–	2,1	74	–	136	2	0,035	12	
65	71,4	–	–	80,5	0,6	69	71	81	0,6	0,015	17
	71,4	–	–	80,5	0,6	69	71	81	0,6	0,015	17
	71,4	–	78,9	–	0,6	69	–	81	0,6	0,015	17
	73	–	–	84,2	1	70	73	85	1	0,02	17
	73	–	–	84,2	1	70	73	85	1	0,02	17
	73	–	82,3	–	1	70	–	85	1	0,02	17
	76,5	–	88,4	–	0,6	69	–	96	0,6	0,02	16
	76,3	–	–	91,5	1,1	71	–	94	1	0,025	16
	76,3	–	–	91,5	1,1	71	–	94	1	0,025	16
	76,3	–	–	91,5	1,1	71	76	94	1	0,025	16
	76,3	–	–	91,5	1,1	71	76	94	1	0,025	16
	83,3	–	–	106	1,5	74	–	111	1,5	0,025	15

1.1 Single row deep groove ball bearings

d 65 – 70 mm

1.1

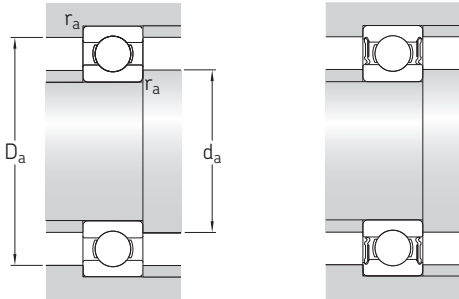


Principal dimensions			Basic load ratings		Fatigue load limit	Speed ratings		Mass	Designations	
d	D	B	dynamic	static		Reference speed	Limiting speed ¹⁾		Bearing open or capped on both sides	capped on one side ¹⁾
mm			kN		kN	r/min	kg	–		
65 cont.	120	23	58,5	40,5	1,73	12 000	7 500	1	▶ 6213	–
	120	23	58,5	40,5	1,73	–	3 600	1,05	▶ 6213-2RS1	6213-RS1
	120	23	58,5	40,5	1,73	12 000	6 000	1,05	▶ 6213-2Z	6213-Z
	120	31	55,9	40,5	1,73	–	3 600	1,4	62213-2RS1	–
	140	33	97,5	60	2,5	10 000	6 700	2,55	6313 M	–
	140	33	97,5	60	2,5	10 000	6 700	2,1	▶ 6313	–
	140	33	97,5	60	2,5	–	3 200	2,15	▶ 6313-2RS1	6313-RS1
	140	33	97,5	60	2,5	10 000	5 300	2,15	▶ 6313-2Z	6313-Z
	140	48	92,3	60	2,5	–	3 200	3	62313-2RS1	–
	160	37	119	78	3,15	9 500	6 000	3,35	6413	–
70	90	10	12,4	13,2	0,56	–	4 300	0,14	▶ 61814-2RS1	–
	90	10	12,4	13,2	0,56	15 000	7 500	0,14	▶ 61814-2RZ	–
	90	10	12,4	13,2	0,56	15 000	9 000	0,14	▶ 61814	–
	100	16	23,8	18,3	0,9	14 000	8 500	0,34	▶ 61914	–
	100	16	23,8	21,2	0,9	–	4 000	0,35	61914-2RS1	–
	100	16	23,8	21,2	0,9	14 000	7 000	0,35	61914-2RZ	–
	110	13	29,1	25	1,06	13 000	8 000	0,44	▶ 16014	–
	110	20	39,7	31	1,32	13 000	11 000	0,7	6014 M	–
	110	20	39,7	31	1,32	13 000	8 000	0,61	▶ 6014	–
	110	20	39,7	31	1,32	–	3 600	0,63	▶ 6014-2RS1	6014-RS1
	110	20	39,7	31	1,32	13 000	6 300	0,64	▶ 6014-2Z	6014-Z
	125	24	60,5	45	1,9	11 000	10 000	1,3	6214 M	–
	125	24	63,7	45	1,9	11 000	7 000	1,1	▶ 6214	–
	125	24	63,7	45	1,9	–	3 400	1,1	▶ 6214-2RS1	6214-RS1
	125	24	63,7	45	1,9	11 000	5 600	1,15	▶ 6214-2Z	6214-Z
	125	31	60,5	45	1,9	–	3 400	1,4	62214-2RS1	–
	150	35	111	68	2,75	9 500	6 300	2,55	▶ 6314	–
	150	35	111	68	2,75	9 500	6 300	3,1	6314 M	–
	150	35	111	68	2,75	–	3 000	2,6	▶ 6314-2RS1	6314-RS1
	150	35	111	68	2,75	9 500	5 000	2,65	▶ 6314-2Z	6314-Z
150	51	104	68	2,75	–	3 000	3,75	62314-2RS1	–	
180	42	143	104	3,9	8 500	5 300	4,95	6414	–	

SKF Explorer bearing

▶ Popular item

¹⁾ For bearings with only one shield or one non-contact seal (Z, RZ) the limiting speeds of the open bearings are valid.

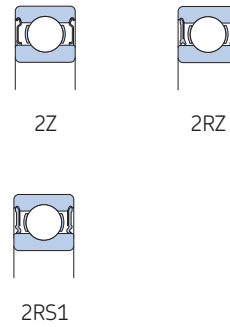
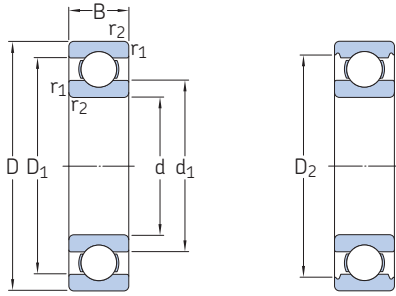


Dimensions						Abutment and fillet dimensions				Calculation factors		
d	d ₁ ≈	d ₂ ≈	D ₁ ≈	D ₂ ≈	r _{1,2} min.	d _a min.	d _a max.	D _a max.	r _a max.	k _r	f ₀	
mm						mm				–		
65 cont.	83,3	–	–	106	1,5	74	–	111	1,5	0,025	15	
	83,3	–	–	106	1,5	74	83	111	1,5	0,025	15	
	83,3	–	–	106	1,5	74	83	111	1,5	0,025	15	
	83,3	–	–	106	1,5	74	83	111	1,5	0,025	15	
	88,3	–	–	122	2,1	77	–	128	2	0,03	13	
	88,3	–	–	122	2,1	77	–	128	2	0,03	13	
	88,3	–	–	122	2,1	77	88	128	2	0,03	13	
	88,3	–	–	122	2,1	77	88	128	2	0,03	13	
	88,3	–	–	122	2,1	77	88	128	2	0,03	13	
	94	–	131	–	–	2,1	79	–	146	2	0,035	12
	70	76,4	–	–	85,5	0,6	74	76	86	0,6	0,015	17
		76,4	–	–	85,5	0,6	74	76	86	0,6	0,015	17
76,4		–	83,9	–	0,6	74	–	86	0,6	0,015	17	
79,8		–	–	92,9	1	75	–	95	1	0,02	14	
79,8		–	–	92,9	1	75	79	95	1	0,02	16	
79,8		–	–	92,9	1	75	79	95	1	0,02	16	
83,3		–	96,8	–	0,6	74	–	106	0,6	0,02	16	
82,8		–	–	99,9	1,1	76	–	104	1	0,025	16	
82,8		–	–	99,9	1,1	76	–	104	1	0,025	16	
82,8		–	–	99,9	1,1	76	82	104	1	0,025	16	
82,8		–	–	99,9	1,1	76	82	104	1	0,025	16	
87		–	–	111	1,5	79	–	116	1,5	0,025	15	
87		–	–	111	1,5	79	–	116	1,5	0,025	15	
87		–	–	111	1,5	79	87	116	1,5	0,025	15	
87		–	–	111	1,5	79	87	116	1,5	0,025	15	
87		–	–	111	1,5	79	87	116	1,5	0,025	15	
94,9		–	–	130	2,1	82	–	138	2	0,03	13	
94,9		–	–	130	2,1	82	–	138	2	0,03	13	
94,9		–	–	130	2,1	82	94	138	2	0,03	13	
94,9		–	–	130	2,1	82	94	138	2	0,03	13	
94,9		–	–	130	2,1	82	94	138	2	0,03	13	
103		–	146	–	–	3	86	–	164	2,5	0,035	12

1.1 Single row deep groove ball bearings

d 75 – 80 mm

1.1

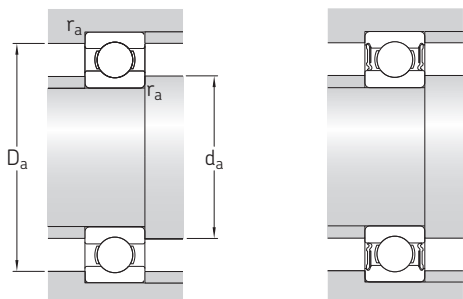


Principal dimensions			Basic load ratings		Fatigue load limit	Speed ratings		Mass	Designations	
d	D	B	dynamic	static		Reference speed	Limiting speed ¹⁾		Bearing open or capped on both sides	capped on one side ¹⁾
mm			kN		kN	r/min	kg	–		
75	95	10	12,5	10,8	0,585	–	4 000	0,15	▶ 61815-2RS1	–
	95	10	12,5	10,8	0,585	14 000	7 000	0,15	▶ 61815-2RZ	–
	95	10	12,5	10,8	0,585	14 000	8 500	0,15	▶ 61815	–
	105	16	24,2	19,3	0,965	13 000	8 000	0,36	▶ 61915	–
	105	16	24,2	22,4	0,965	–	3 600	0,37	▶ 61915-2RS1	–
	105	16	24,2	22,4	0,965	13 000	6 300	0,37	▶ 61915-2RZ	–
	115	13	30,2	27	1,14	12 000	7 500	0,46	▶ 16015	–
	115	20	41,6	33,5	1,43	12 000	10 000	0,74	▶ 6015 M	–
	115	20	41,6	33,5	1,43	12 000	7 500	0,65	▶ 6015	–
	115	20	41,6	33,5	1,43	–	3 400	0,67	▶ 6015-2RS1	6015-RS1
	115	20	41,6	33,5	1,43	12 000	6 000	0,67	▶ 6015-2RZ	6015-RZ
	115	20	41,6	33,5	1,43	12 000	6 000	0,68	▶ 6015-2Z	6015-Z
	130	25	68,9	49	2,04	10 000	9 500	1,4	▶ 6215 M	–
	130	25	68,9	49	2,04	10 000	6 700	1,2	▶ 6215	–
	130	25	68,9	49	2,04	–	3 200	1,2	▶ 6215-2RS1	6215-RS1
130	25	68,9	49	2,04	10 000	5 300	1,25	▶ 6215-2Z	6215-Z	
160	37	119	76,5	3	9 000	5 600	3,05	▶ 6315	–	
160	37	119	76,5	3	9 000	5 600	3,7	▶ 6315 M	–	
160	37	119	76,5	3	–	2 800	3,15	▶ 6315-2RS1	6315-RS1	
160	37	119	76,5	3	9 000	4 500	3,15	▶ 6315-2Z	6315-Z	
190	45	153	114	4,15	8 000	5 000	5,8	▶ 6415	–	
80	100	10	12,7	11,2	0,61	–	3 600	0,16	▶ 61816-2RS1	–
	100	10	12,7	11,2	0,61	13 000	8 000	0,15	▶ 61816	–
	110	16	25,1	20,4	1,02	–	3 400	0,4	▶ 61916-2RS1	–
	110	16	25,1	20,4	1,02	12 000	6 000	0,4	▶ 61916-2RZ	–
	110	16	25,1	20,4	1,02	12 000	7 500	0,38	▶ 61916	–
	125	14	35,1	31,5	1,32	11 000	7 000	0,61	▶ 16016	–
	125	22	49,4	40	1,66	11 000	7 000	0,86	▶ 6016	–
	125	22	49,4	40	1,66	–	3 200	0,88	▶ 6016-2RS1	6016-RS1
	125	22	49,4	40	1,66	11 000	5 600	0,89	▶ 6016-2Z	6016-Z
	140	26	72,8	55	2,2	9 500	6 000	1,45	▶ 6216	–
	140	26	72,8	55	2,2	9 500	8 500	1,7	▶ 6216 M	–
	140	26	72,8	55	2,2	–	3 000	1,5	▶ 6216-2RS1	6216-RS1

SKF Explorer bearing

▶ Popular item

¹⁾ For bearings with only one shield or one non-contact seal (Z, RZ) the limiting speeds of the open bearings are valid.

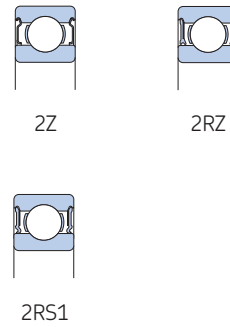
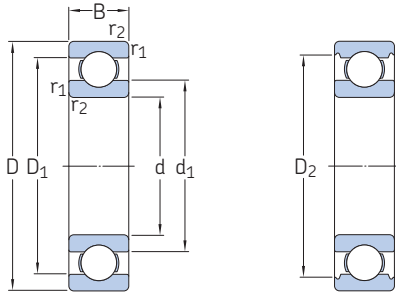


Dimensions						Abutment and fillet dimensions				Calculation factors	
d	d ₁ ≈	d ₂ ≈	D ₁ ≈	D ₂ ≈	r _{1,2} min.	d _a min.	d _a max.	D _a max.	r _a max.	k _r	f ₀
mm						mm				–	
75	81,7	–	–	90,7	1,3	79	81	91	0,6	0,015	13
	81,7	–	–	90,7	1,3	79	81	91	0,6	0,015	13
	81,7	–	–	90,7	1,3	79	–	91	0,6	0,015	13
	84,8	–	–	97,9	1,9	80	–	100	1	0,02	14
	84,7	–	–	98,3	1	80	84	100	1	0,02	17
	84,7	–	–	98,3	1	80	84	100	1	0,02	17
	88,3	–	102	–	0,6	79	–	111	0,6	0,02	16
	87,8	–	–	105	1,1	81	–	109	1	0,025	16
	87,8	–	–	105	1,1	81	–	109	1	0,025	16
	87,8	–	–	105	1,1	81	87	109	1	0,025	16
	87,8	–	–	105	1,1	81	87	109	1	0,025	16
	87,8	–	–	105	1,1	81	87	109	1	0,025	16
	92	–	–	117	1,5	84	–	121	1,5	0,025	15
	92	–	–	117	1,5	84	–	121	1,5	0,025	15
	92	–	–	117	1,5	84	92	121	1,5	0,025	15
92	–	–	117	1,5	84	92	121	1,5	0,025	15	
101	–	–	139	2,1	87	–	148	2	0,03	13	
101	–	–	139	2,1	87	–	148	2	0,03	13	
101	–	–	139	2,1	87	100	148	2	0,03	13	
101	–	–	139	2,1	87	100	148	2	0,03	13	
110	–	155	–	3	91	–	174	2,5	0,035	12	
80	86,7	–	–	95,7	1,3	84	86	96	0,6	0,015	13
	86,7	–	–	95,7	1,3	84	–	96	0,6	0,015	13
	89,8	–	–	103	1	85	89	105	1	0,02	14
	89,8	–	–	103	1	85	89	105	1	0,02	14
	89,8	–	–	103	1	85	–	105	1	0,02	14
	95,3	–	110	–	0,6	84	–	121	0,6	0,02	16
	94,4	–	–	115	1,1	86	–	119	1	0,025	16
	94,4	–	–	115	1,1	86	94	119	1	0,025	16
	94,4	–	–	115	1,1	86	94	119	1	0,025	16
	101	–	–	127	2	91	–	129	2	0,025	15
	101	–	–	127	2	91	–	129	2	0,025	15
	101	–	–	127	2	91	100	129	2	0,025	15

1.1 Single row deep groove ball bearings

d 80 – 90 mm

1.1

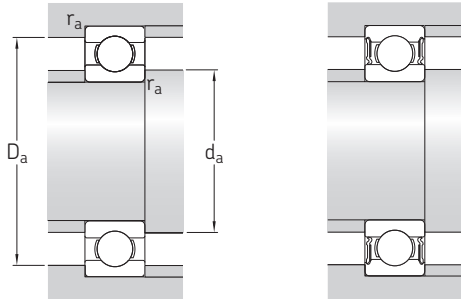


Principal dimensions			Basic load ratings		Fatigue load limit	Speed ratings		Mass	Designations	
d	D	B	dynamic	static		Reference speed	Limiting speed ¹⁾		Bearing open or capped on both sides	capped on one side ¹⁾
mm			kN		kN	r/min	kg	–		
80 cont.	140	26	72,8	55	2,2	9 500	4 800	1,55	▶ 6216-2Z	6216-Z
	170	39	130	86,5	3,25	8 500	7 500	4,4	▶ 6316 M	–
	170	39	130	86,5	3,25	8 500	5 300	3,65	▶ 6316	–
	170	39	130	86,5	3,25	–	2 600	3,7	▶ 6316-2RS1	6316-RS1
	170	39	130	86,5	3,25	8 500	4 300	3,75	▶ 6316-2Z	6316-Z
	200	48	163	125	4,5	7 500	4 800	6,85	▶ 6416	–
85	110	13	19,5	16,6	0,88	–	3 400	0,28	▶ 61817-2RS1	–
	110	13	19,5	16,6	0,88	12 000	6 000	0,28	▶ 61817-2RZ	–
	110	13	19,5	16,6	0,88	12 000	7 500	0,26	▶ 61817	–
	120	18	31,9	30	1,25	11 000	7 000	0,55	▶ 61917	–
	130	14	35,8	33,5	1,37	11 000	6 700	0,64	▶ 16017	–
	130	22	52	43	1,76	11 000	6 700	0,9	▶ 6017	–
	130	22	52	43	1,76	–	3 000	0,93	▶ 6017-2RS1	6017-RS1
	130	22	52	43	1,76	11 000	5 300	0,94	▶ 6017-2Z	6017-Z
	150	28	87,1	64	2,5	9 000	8 000	2	▶ 6217 M	–
	150	28	87,1	64	2,5	9 000	5 600	1,8	▶ 6217	–
	150	28	87,1	64	2,5	–	2 800	1,9	▶ 6217-2RS1	6217-RS1
	150	28	87,1	64	2,5	9 000	4 500	1,9	▶ 6217-2Z	6217-Z
	180	41	140	96,5	3,55	8 000	5 000	4,25	▶ 6317	–
	180	41	140	96,5	3,55	8 000	7 500	5,2	▶ 6317 M	–
	180	41	140	96,5	3,55	–	2 400	4,35	▶ 6317-2RS1	6317-RS1
	180	41	140	96,5	3,55	8 000	4 000	4,4	▶ 6317-2Z	6317-Z
	210	52	174	137	4,75	7 000	4 500	8,05	▶ 6417	–
	90	115	13	19,5	17	0,915	–	3 200	0,29	▶ 61818-2RS1
115		13	19,5	17	0,915	11 000	5 600	0,29	▶ 61818-2RZ	–
115		13	19,5	17	0,915	11 000	7 000	0,28	▶ 61818	–
125		18	33,2	31,5	1,29	11 000	6 700	0,59	▶ 61918	–
140		16	43,6	39	1,56	10 000	6 300	0,85	▶ 16018	–
140		24	60,5	50	1,96	10 000	8 500	1,35	▶ 6018 M	–
140		24	60,5	50	1,96	10 000	6 300	1,15	▶ 6018	–
140		24	60,5	50	1,96	–	2 800	1,2	▶ 6018-2RS1	6018-RS1
140		24	60,5	50	1,96	10 000	5 000	1,2	▶ 6018-2Z	6018-Z
160		30	101	73,5	2,8	8 500	5 300	2,2	▶ 6218	–
160		30	101	73,5	2,8	8 500	5 300	2,65	▶ 6218 M	–
160		30	101	73,5	2,8	–	2 600	2,3	▶ 6218-2RS1	6218-RS1

SKF Explorer bearing

▶ Popular item

¹⁾ For bearings with only one shield or one non-contact seal (Z, RZ) the limiting speeds of the open bearings are valid.

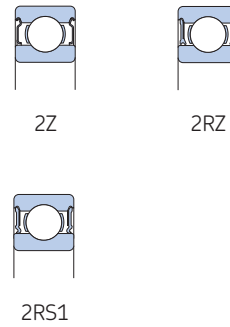
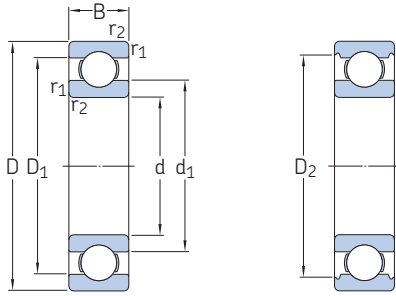


Dimensions						Abutment and fillet dimensions				Calculation factors	
d	d ₁ ≈	d ₂ ≈	D ₁ ≈	D ₂ ≈	r _{1,2} min.	d _a min.	d _a max.	D _a max.	r _a max.	k _r	f ₀
mm						mm				–	
80 cont.	101	–	–	127	2	91	100	129	2	0,025	15
	108	–	–	147	2,1	92	–	158	2	0,03	13
	108	–	–	147	2,1	92	–	158	2	0,03	13
	108	–	–	147	2,1	92	107	158	2	0,03	13
	108	–	–	147	2,1	92	107	158	2	0,03	13
	116	–	163	–	3	96	–	184	2,5	0,035	12
85	93,3	–	–	105	1,9	90	93	105	1	0,015	14
	93,3	–	–	105	1,9	90	93	105	1	0,015	14
	93,3	–	–	105	1,9	90	–	105	1	0,015	14
	96,4	–	109	–	1,1	91	–	114	1	0,02	16
	100	–	115	–	0,6	89	–	126	0,6	0,02	17
	99,4	–	–	120	1,1	92	–	123	1	0,025	16
	99,4	–	–	120	1,1	92	99	123	1	0,025	16
	99,4	–	–	120	1,1	92	99	123	1	0,025	16
	106	–	–	135	2	96	–	139	2	0,025	15
	106	–	–	135	2	96	–	139	2	0,025	15
	106	–	–	135	2	96	105	139	2	0,025	15
	106	–	–	135	2	96	105	139	2	0,025	15
	114	–	–	156	3	99	–	166	2,5	0,03	13
	114	–	–	156	3	99	–	166	2,5	0,03	13
	114	–	–	156	3	99	114	166	2,5	0,03	13
	114	–	–	156	3	99	114	166	2,5	0,03	13
	123	–	172	–	4	105	–	190	3	0,035	12
	90	98,3	–	–	110	1	95	98	110	1	0,015
98,3		–	–	110	1	95	98	110	1	0,015	13
98,3		–	–	110	1	95	–	110	1	0,015	13
101		–	114	–	1,1	96	–	119	1	0,02	17
106		–	124	–	1	95	–	135	1	0,02	16
105		–	–	129	1,5	97	–	133	1,5	0,025	16
105		–	–	129	1,5	97	–	133	1,5	0,025	16
105		–	–	129	1,5	97	105	133	1,5	0,025	16
105		–	–	129	1,5	97	105	133	1,5	0,025	16
112		–	–	143	2	101	–	149	2	0,025	15
112		–	–	143	2	101	–	149	2	0,025	15
112		–	–	143	2	101	112	149	2	0,025	15

1.1 Single row deep groove ball bearings

d 90 – 100 mm

1.1

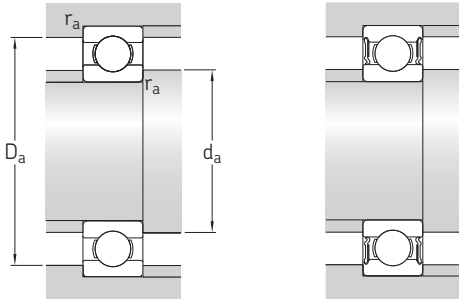


Principal dimensions			Basic load ratings		Fatigue load limit	Speed ratings		Mass	Designations	
d	D	B	dynamic	static		Reference speed	Limiting speed ¹⁾		Bearing open or capped on both sides	capped on one side ¹⁾
mm			kN		kN	r/min	kg	–		
90 cont.	160	30	101	73,5	2,8	8 500	4 300	2,3	▶ 6218-Z	6218-Z
	190	43	151	108	3,8	7 500	7 000	6,1	▶ 6318 M	–
	190	43	151	108	3,8	7 500	4 800	4,95	▶ 6318	–
	190	43	151	108	3,8	–	2 400	5,1	▶ 6318-2RS1	6318-RS1
	190	43	151	108	3,8	7 500	3 800	5,15	▶ 6318-2Z	6318-Z
	225	54	186	150	5	6 700	4 300	9,8	▶ 6418	–
95	120	13	19,9	17,6	0,93	–	3 000	0,31	▶ 61819-2RS1	–
	120	13	19,9	17,6	0,93	11 000	6 700	0,29	▶ 61819	–
	130	18	33,8	33,5	1,34	–	3 000	0,65	▶ 61919-2RS1	–
	130	18	33,8	33,5	1,34	10 000	6 300	0,61	▶ 61919	–
	145	16	44,9	41,5	1,63	9 500	6 000	0,89	▶ 16019	–
	145	24	63,7	54	2,08	9 500	6 000	1,2	▶ 6019	–
	145	24	63,7	54	2,08	–	2 800	1,25	▶ 6019-2RS1	–
	145	24	63,7	54	2,08	9 500	4 800	1,25	▶ 6019-2Z	6019-Z
	170	32	114	81,5	3	8 000	5 000	2,65	▶ 6219	–
	170	32	114	81,5	3	8 000	5 000	3,2	▶ 6219 M	–
	170	32	114	81,5	3	–	2 400	2,7	▶ 6219-2RS1	6219-RS1
	170	32	114	81,5	3	8 000	4 000	2,7	▶ 6219-2Z	6219-Z
	200	45	159	118	4,15	7 000	4 500	5,75	▶ 6319	–
	200	45	159	118	4,15	7 000	6 300	7,05	▶ 6319 M	–
	200	45	159	118	4,15	–	2 200	5,85	▶ 6319-2RS1	6319-RS1
200	45	159	118	4,15	7 000	3 600	5,85	▶ 6319-2Z	6319-Z	
100	125	13	17,8	18,3	0,95	–	3 000	0,32	▶ 61820-2RS1	–
	125	13	17,8	18,3	0,95	10 000	5 300	0,32	▶ 61820-2RZ	–
	125	13	17,8	18,3	0,95	10 000	6 300	0,3	▶ 61820	–
	140	20	42,3	41,5	1,63	9 500	6 000	0,83	▶ 61920	–
	150	16	46,2	44	1,7	9 500	5 600	0,94	▶ 16020	–
	150	24	63,7	54	2,04	9 500	7 500	1,45	▶ 6020 M	–
	150	24	63,7	54	2,04	9 500	5 600	1,25	▶ 6020	–
	150	24	63,7	54	2,04	–	2 600	1,3	▶ 6020-2RS1	6020-RS1
	150	24	63,7	54	2,04	9 500	4 500	1,3	▶ 6020-2Z	6020-Z
	180	34	127	93	3,35	7 500	4 800	3,2	▶ 6220	–
	180	34	127	93	3,35	7 500	7 000	3,8	▶ 6220 M	–
	180	34	127	93	3,35	–	2 400	3,3	▶ 6220-2RS1	6220-RS1

SKF Explorer bearing

▶ Popular item

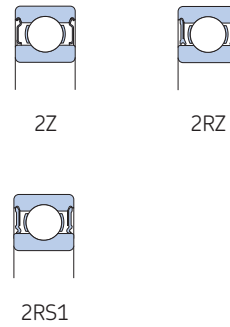
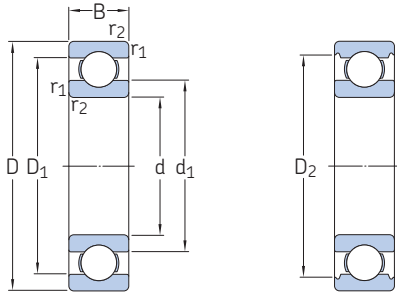
¹⁾ For bearings with only one shield or one non-contact seal (Z, RZ) the limiting speeds of the open bearings are valid.



Dimensions						Abutment and fillet dimensions				Calculation factors	
d	d ₁ ≈	d ₂ ≈	D ₁ ≈	D ₂ ≈	r _{1,2} min.	d _a min.	d _a max.	D _a max.	r _a max.	k _r	f ₀
mm						mm				–	
90 cont.	112	–	–	143	2	101	112	149	2	0,025	15
	121	–	–	164	3	104	–	176	2,5	0,03	13
	121	–	–	164	3	104	–	176	2,5	0,03	13
	121	–	–	164	3	104	120	176	2,5	0,03	13
	121	–	–	164	3	104	120	176	2,5	0,03	13
	132	–	181	–	4	110	–	205	3	0,035	13
95	103	–	–	115	1	100	102	115	1	0,015	13
	103	–	–	115	1	100	–	115	1	0,015	13
	106	–	–	122	1,1	101	105	124	1	0,02	17
	106	–	119	–	1,1	101	–	124	1	0,02	17
	111	–	129	–	1	100	–	140	1	0,02	16
	111	–	–	134	1,5	102	–	138	1,5	0,025	16
	111	–	–	134	1,5	102	111	138	1,5	0,025	16
	111	–	–	134	1,5	102	111	138	1,5	0,025	16
	118	–	–	152	2,1	107	–	158	2	0,025	14
	118	–	–	152	2,1	107	–	158	2	0,025	14
	118	–	–	152	2,1	107	118	158	2	0,025	14
	118	–	–	152	2,1	107	118	158	2	0,025	14
	127	–	–	172	3	109	–	186	2,5	0,03	13
	127	–	–	172	3	109	–	186	2,5	0,03	13
	127	–	–	172	3	109	127	186	2,5	0,03	13
	127	–	–	172	3	109	127	186	2,5	0,03	13
100	108	–	–	120	1	105	107	120	1	0,015	13
	108	–	–	120	1	105	107	120	1	0,015	13
	108	–	–	120	1	105	–	120	1	0,015	13
	112	–	128	–	1,1	106	–	134	1	0,02	16
	116	–	134	–	1	105	–	145	1	0,02	17
	115	–	–	139	1,5	107	–	143	1,5	0,025	16
	115	–	–	139	1,5	107	–	143	1,5	0,025	16
	115	–	–	139	1,5	107	115	143	1,5	0,025	16
	115	–	–	139	1,5	107	115	143	1,5	0,025	16
	124	–	–	160	2,1	112	–	168	2	0,025	14
	124	–	–	160	2,1	112	–	168	2	0,025	14
	124	–	–	160	2,1	112	124	168	2	0,025	14

1.1 Single row deep groove ball bearings

d 100 – 110 mm

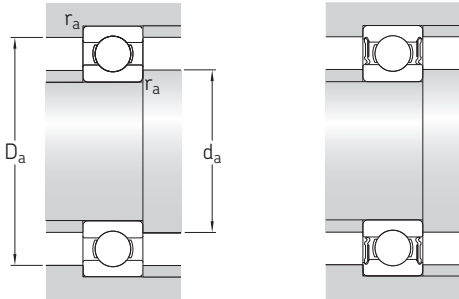


Principal dimensions			Basic load ratings		Fatigue load limit	Speed ratings		Mass	Designations	
d	D	B	dynamic	static		Reference speed	Limiting speed ¹⁾		Bearing open or capped on both sides	capped on one side ¹⁾
mm			kN		kN	r/min	kg	–		
100 cont.	180	34	127	93	3,35	7 500	3 800	3,3	▶ 6220-2Z	6220-Z
	215	47	174	140	4,75	6 700	4 300	7,1	▶ 6320	–
	215	47	174	140	4,75	6 700	6 000	8,7	▶ 6320 M	–
	215	47	174	140	4,75	–	2 000	7,2	▶ 6320-2RS1	6320-RS1
	215	47	174	140	4,75	6 700	3 400	7,3	▶ 6320-2Z	6320-Z
105	130	13	20,8	19,6	1	–	2 800	0,33	▶ 61821-2RS1	–
	130	13	20,8	19,6	1	10 000	5 000	0,33	▶ 61821-2RZ	–
	130	13	20,8	19,6	1	10 000	6 300	0,31	▶ 61821	–
	145	20	44,2	44	1,7	9 500	5 600	0,87	▶ 61921	–
	160	18	54	51	1,86	8 500	5 300	1,2	▶ 16021	–
	160	26	76,1	65,5	2,4	8 500	5 300	1,6	▶ 6021	–
	160	26	76,1	65,5	2,4	8 500	7 500	1,85	▶ 6021 M	–
	160	26	76,1	65,5	2,4	–	2 400	1,65	▶ 6021-2RS1	6021-RS1
	160	26	76,1	65,5	2,4	8 500	4 300	1,65	▶ 6021-2Z	6021-Z
	190	36	140	104	3,65	7 000	4 500	3,8	▶ 6221	–
190	36	140	104	3,65	7 000	3 600	3,9	▶ 6221-2Z	6221-Z	
225	49	182	153	5,1	6 300	3 200	8,25	▶ 6321-2Z	6321-Z	
225	49	182	153	5,1	6 300	4 000	8,2	▶ 6321	–	
110	140	16	28,1	26	1,25	–	2 600	0,6	▶ 61822-2RS1	–
	140	16	28,1	26	1,25	9 500	4 500	0,6	▶ 61822-2RZ	–
	140	16	28,1	26	1,25	9 500	5 600	0,47	▶ 61822	–
	150	20	43,6	45	1,66	9 000	5 600	0,9	▶ 61922	–
	150	20	43,6	45	1,66	9 000	7 500	1,05	▶ 61922 MA	–
	170	19	60,5	57	2,04	8 000	5 000	1,45	▶ 16022	–
	170	28	85,2	73,5	2,6	8 000	5 000	1,95	▶ 6022	–
	170	28	85,2	73,5	2,6	8 000	7 000	2,3	▶ 6022 M	–
	170	28	85,2	73,5	2,6	–	2 400	2	▶ 6022-2RS1	6022-RS1
	170	28	85,2	73,5	2,6	8 000	4 000	2,05	▶ 6022-2Z	6022-Z
	200	38	151	118	4	6 700	4 300	4,45	▶ 6222	–
	200	38	151	118	4	–	2 000	4,6	▶ 6222-2RS1	6222-RS1
	200	38	151	118	4	6 700	3 400	4,6	▶ 6222-2Z	6222-Z
	240	50	203	180	5,7	6 000	3 800	9,65	▶ 6322	–
	240	50	203	180	5,7	6 000	5 300	11,5	▶ 6322 M	–

SKF Explorer bearing

▶ Popular item

¹⁾ For bearings with only one shield or one non-contact seal (Z, RZ) the limiting speeds of the open bearings are valid.

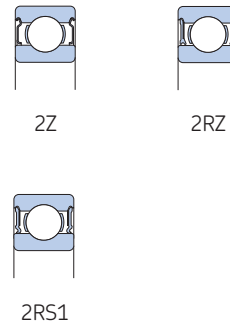
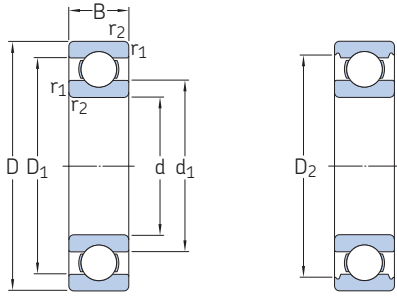


Dimensions						Abutment and fillet dimensions				Calculation factors	
d	d ₁ ≈	d ₂ ≈	D ₁ ≈	D ₂ ≈	r _{1,2} min.	d _a min.	d _a max.	D _a max.	r _a max.	k _r	f ₀
mm						mm				-	
100 cont.	124	-	-	160	2,1	112	124	168	2	0,025	14
	135	-	-	184	3	114	-	201	2,5	0,03	13
	135	-	-	184	3	114	-	201	2,5	0,03	13
	135	-	-	184	3	114	135	201	2,5	0,03	13
	135	-	-	184	3	114	135	201	2,5	0,03	13
	135	-	-	184	3	114	135	201	2,5	0,03	13
105	112	-	-	125	1	110	112	125	1	0,015	13
	112	-	-	125	1	110	112	125	1	0,015	13
	112	-	-	125	1	110	-	125	1	0,015	13
	117	-	133	-	1,1	111	-	139	1	0,02	17
	123	-	142	-	1	110	-	155	1	0,02	16
	122	-	-	147	2	116	-	149	2	0,025	16
	122	-	-	147	2	116	-	149	2	0,025	16
	122	-	-	147	2	116	122	149	2	0,025	16
	122	-	-	147	2	116	122	149	2	0,025	16
	131	-	-	167	2,1	117	-	178	2	0,025	14
	131	-	-	167	2,1	117	131	178	2	0,025	14
	141	-	-	194	3	119	140	211	2,5	0,03	13
141	-	188	-	3	119	-	211	2,5	0,03	13	
110	118	-	-	135	1	115	118	135	1	0,015	14
	118	-	-	135	1	115	118	135	1	0,015	14
	118	-	-	135	1	115	-	135	1	0,015	14
	122	-	138	-	1,1	116	-	144	1	0,02	17
	122	-	-	81,5	1,1	116	-	144	1	0,02	17
	130	-	150	-	1	115	-	165	1	0,02	16
	129	-	-	156	2	119	-	161	2	0,025	16
	129	-	-	156	2	119	-	161	2	0,025	16
	129	-	-	156	2	119	128	161	2	0,025	16
	129	-	-	156	2	119	128	161	2	0,025	16
	138	-	-	177	2,1	122	-	188	2	0,025	14
	138	-	-	177	2,1	122	137	188	2	0,025	14
	138	-	-	177	2,1	122	137	188	2	0,025	14
	149	-	200	-	3	124	-	226	2,5	0,03	13
	149	-	200	-	3	124	-	226	2,5	0,03	13

1.1 Single row deep groove ball bearings

d 120 – 130 mm

1.1

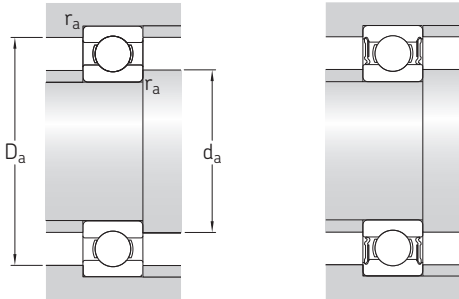


Principal dimensions			Basic load ratings		Fatigue load limit	Speed ratings		Mass	Designations	
d	D	B	dynamic	static		Reference speed	Limiting speed ¹⁾		Bearing open or capped on both sides	capped on one side ¹⁾
mm			kN		kN	r/min	kg	–		
120	150	16	29,1	28	1,29	–	2 400	0,65	▶ 61824-2RS1	–
	150	16	29,1	28	1,29	8 500	4 300	0,65	▶ 61824-2RZ	–
	150	16	29,1	28	1,29	8 500	5 300	0,51	▶ 61824	–
	165	22	55,3	57	2,04	8 000	5 000	1,2	61924	–
	165	22	55,3	57	2,04	8 000	6 700	1,4	61924 MA	–
	180	19	63,7	64	2,2	7 500	4 800	1,55	▶ 16024	–
	180	28	88,4	80	2,75	7 500	6 300	2,45	6024 MA	–
	180	28	88,4	80	2,75	7 500	4 800	2,1	▶ 6024	–
	180	28	88,4	80	2,75	–	2 200	2,15	▶ 6024-2RS1	6024-RS1
	180	28	88,4	80	2,75	7 500	3 800	2,2	▶ 6024-2Z	6024-Z
	215	40	146	118	3,9	6 300	4 000	5,25	▶ 6224	–
	215	40	146	118	3,9	6 300	5 600	6,1	▶ 6224 M	–
	215	40	146	118	3,9	–	1 900	5,35	▶ 6224-2RS1	6224-RS1
	215	40	146	118	3,9	6 300	3 200	5,35	6224-2Z	6224-Z
	260	55	208	186	5,7	5 600	3 400	12,5	▶ 6324	–
	260	55	208	186	5,7	5 600	5 000	14	▶ 6324 M	–
	260	55	208	186	5,7	–	1 700	12,5	▶ 6324-2RS1	6324-RS1
	260	55	208	186	5,7	5 600	2 800	12,5	6324-2Z	6324-Z
130	165	18	37,7	43	1,6	–	2 200	0,93	▶ 61826-2RS1	–
	165	18	37,7	43	1,6	8 000	3 800	0,93	▶ 61826-2RZ	–
	165	18	37,7	43	1,6	8 000	4 800	0,75	▶ 61826	–
	180	24	65	67	2,28	7 500	4 500	1,6	▶ 61926	–
	200	22	83,2	81,5	2,7	7 000	4 300	2,35	▶ 16026	–
	200	33	112	100	3,35	7 000	5 600	3,75	6026 M	–
	200	33	112	100	3,35	7 000	4 300	3,3	▶ 6026	–
	200	33	112	100	3,35	–	2 000	3,3	▶ 6026-2RS1	6026-RS1
	200	33	112	100	3,35	7 000	3 400	3,35	▶ 6026-2Z	6026-Z
	230	40	156	132	4,15	5 600	5 300	6,95	6226 M	–
	230	40	156	132	4,15	5 600	3 600	5,85	▶ 6226	–
	230	40	156	132	4,15	–	1 800	6	▶ 6226-2RS1	6226-RS1
	230	40	156	132	4,15	5 600	3 000	6	▶ 6226-2Z	6226-Z
	280	58	229	216	6,3	5 000	3 200	15	▶ 6326	–
	280	58	229	216	6,3	5 000	4 500	17,5	▶ 6326 M	–

SKF Explorer bearing

▶ Popular item

¹⁾ For bearings with only one shield or one non-contact seal (Z, RZ) the limiting speeds of the open bearings are valid.

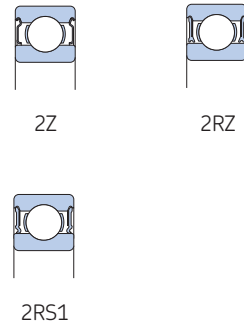
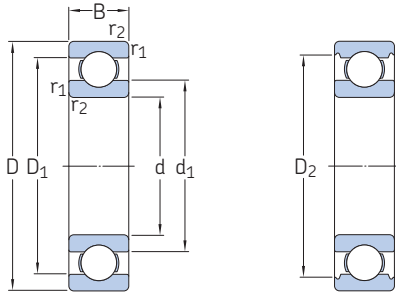


Dimensions						Abutment and fillet dimensions				Calculation factors	
d	d ₁ ≈	d ₂ ≈	D ₁ ≈	D ₂ ≈	r _{1,2} min.	d _a min.	d _a max.	D _a max.	r _a max.	k _r	f ₀
mm						mm				–	
120	128	–	–	145	1	125	128	145	1	0,015	14
	128	–	–	145	1	125	128	145	1	0,015	14
	128	–	–	145	1	125	–	145	1	0,015	14
	134	–	151	–	1,1	126	–	159	1	0,02	17
	134	–	152	–	1,1	126	–	159	1	0,02	17
	139	–	161	–	1	125	–	175	1	0,02	17
	139	–	–	166	2	129	–	171	2	0,025	16
	139	–	–	166	2	129	–	171	2	0,025	16
	139	–	–	166	2	129	139	171	2	0,025	16
	139	–	–	166	2	129	139	171	2	0,025	16
	150	–	185	–	2,1	132	–	203	2	0,025	14
	150	–	185	–	2,1	132	–	203	2	0,025	14
	150	–	–	190	2,1	132	150	203	2	0,025	14
	150	–	–	190	2,1	132	150	203	2	0,025	14
	164	–	215	–	3	134	–	246	2,5	0,03	14
164	–	215	–	3	134	–	246	2,5	0,03	14	
164	–	–	221	3	134	164	246	2,5	0,03	14	
164	–	–	221	3	134	164	246	2,5	0,03	14	
130	140	–	–	158	1,1	136	139	159	1	0,015	16
	140	–	–	158	1,1	136	139	159	1	0,015	16
	140	–	–	158	1,1	136	–	159	1	0,015	16
	145	–	164	–	1,5	137	–	173	1,5	0,02	16
	153	–	176	–	1,1	136	–	192	1	0,02	16
	152	–	–	182	2	139	–	191	2	0,025	16
	152	–	–	182	2	139	–	191	2	0,025	16
	152	–	–	182	2	139	152	191	2	0,025	16
	152	–	–	182	2	139	152	191	2	0,025	16
	160	–	198	–	3	144	–	216	2,5	0,025	15
	160	–	198	–	3	144	–	216	2,5	0,025	15
	160	–	–	203	3	144	160	216	2,5	0,025	15
	160	–	–	203	3	144	160	216	2,5	0,025	15
	177	–	232	–	4	147	–	263	3	0,03	14
	177	–	232	–	4	147	–	263	3	0,03	14

1.1 Single row deep groove ball bearings

d 140 – 160 mm

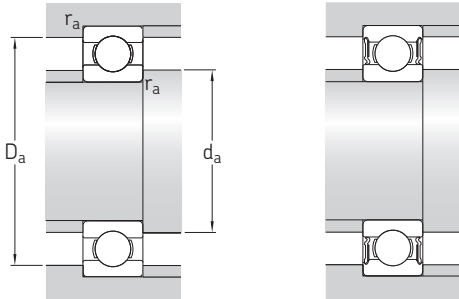
1.1



Principal dimensions			Basic load ratings		Fatigue load limit	Speed ratings		Mass	Designations	
d	D	B	dynamic	static		Reference speed	Limiting speed ¹⁾		Bearing open or capped on both sides	capped on one side ¹⁾
mm			C	C ₀	P _u	r/min		kg	–	
140	175	18	39	46,5	1,66	–	2 000	0,99	▶ 61828-2RS1	–
	175	18	39	46,5	1,66	7 500	3 600	0,99	▶ 61828-2RZ	–
	175	18	39	46,5	1,66	7 500	4 500	0,82	▶ 61828	–
	190	24	66,3	72	2,36	7 000	4 300	1,7	▶ 61928	–
	190	24	66,3	72	2,36	7 000	5 600	2	▶ 61928 MA	–
	210	22	80,6	86,5	2,8	6 700	4 000	2,55	▶ 16028	–
	210	33	111	108	3,45	6 700	5 300	4	▶ 6028 M	–
	210	33	111	108	3,45	6 700	4 000	3,45	▶ 6028	–
	210	33	111	108	3,45	–	1 800	3,55	▶ 6028-2RS1	6028-RS1
	210	33	111	108	3,45	6 700	3 200	3,55	▶ 6028-2Z	6028-Z
	250	42	165	150	4,55	5 300	3 400	7,75	▶ 6228	–
	250	42	165	150	4,55	5 300	4 800	9,4	▶ 6228 MA	–
150	300	62	251	245	7,1	4 800	3 000	18,5	▶ 6328	–
	300	62	251	245	7,1	4 800	4 300	21	▶ 6328 M	–
	190	20	48,8	61	1,96	6 700	4 300	1,2	▶ 61830	–
	190	20	48,8	61	1,96	6 700	4 300	1,35	▶ 61830 MA	–
	210	28	88,4	93	2,9	6 300	5 300	3,05	▶ 61930 MA	–
	225	24	92,2	98	3,05	6 000	3 800	3,15	▶ 16030	–
	225	35	125	125	3,9	6 000	5 000	4,9	▶ 6030 M	–
	225	35	125	125	3,9	6 000	3 800	4,3	▶ 6030	–
	225	35	125	125	3,9	–	1 700	4,35	▶ 6030-2RS1	6030-RS1
	225	35	125	125	3,9	6 000	3 000	4,4	▶ 6030-2Z	6030-Z
	270	45	174	166	4,9	5 000	3 200	10	▶ 6230	–
	270	45	174	166	4,9	5 000	4 500	11,5	▶ 6230 M	–
160	320	65	276	285	7,8	4 300	2 800	23	▶ 6330	–
	320	65	276	285	7,8	4 300	4 000	25,5	▶ 6330 M	–
	200	20	49,4	64	2	6 300	4 000	1,25	▶ 61832	–
	220	28	92,3	98	3,05	6 000	3 800	2,7	▶ 61932	–
	220	28	92,3	98	3,05	6 000	5 000	3,2	▶ 61932 MA	–
	240	25	99,5	108	3,25	5 600	3 600	3,65	▶ 16032	–
	240	38	143	143	4,3	5 600	4 800	6	▶ 6032 M	–
	240	38	143	143	4,3	5 600	3 600	5,2	▶ 6032	–
	240	38	143	143	4,3	–	1 600	5,3	▶ 6032-2RS1	6032-RS1
	240	38	143	143	4,3	5 600	2 800	5,4	▶ 6032-2Z	6032-Z
	290	48	186	186	5,3	4 500	3 000	13	▶ 6232	–

▶ Popular item

¹⁾ For bearings with only one shield or one non-contact seal (Z, RZ) the limiting speeds of the open bearings are valid.

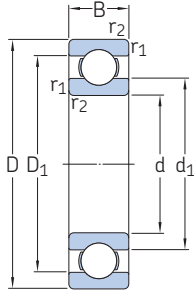


Dimensions						Abutment and fillet dimensions				Calculation factors		
d	d ₁ ≈	d ₂ ≈	D ₁ ≈	D ₂ ≈	r _{1,2} min.	d _a min.	d _a max.	D _a max.	r _a max.	k _r	f ₀	
mm						mm				–		
140	150	–	–	167	1,1	146	150	169	1	0,015	16	
	150	–	–	167	1,1	146	150	169	1	0,015	16	
	150	–	–	167	2,5	146	–	169	1	0,015	16	
	156	–	174	–	1,5	147	–	183	1,5	0,02	15	
	156	–	175	–	1,5	147	–	183	1,5	0,02	17	
	163	–	186	–	1,1	146	–	204	1	0,02	17	
	162	–	–	192	2	149	–	201	2	0,025	16	
	162	–	–	192	2	149	–	201	2	0,025	16	
	162	–	–	192	2	149	162	201	2	0,025	16	
	162	–	–	192	2	149	162	201	2	0,025	16	
	175	–	213	–	3	154	–	236	2,5	0,025	15	
	175	–	214	–	3	154	–	236	2,5	0,025	15	
	190	–	249	–	4	157	–	283	3	0,03	14	
	190	–	249	–	4	157	–	283	3	0,03	14	
	150	162	–	178	–	2,5	156	–	184	1	0,015	17
162		–	178	–	1,1	156	–	184	1	0,015	17	
169		–	192	–	2	159	–	201	2	0,02	16	
174		–	200	–	1,1	156	–	219	1	0,02	17	
174		–	–	206	2,1	160	–	215	2	0,025	16	
174		–	–	206	2,1	160	–	215	2	0,025	16	
174		–	–	206	2,1	160	173	215	2	0,025	16	
174		–	–	206	2,1	160	173	215	2	0,025	16	
190		–	228	–	3	164	–	256	2,5	0,025	15	
190		–	228	–	3	164	–	256	2,5	0,025	15	
205		–	264	–	4	167	–	303	3	0,03	14	
205		–	264	–	4	167	–	303	3	0,03	14	
160		172	–	188	–	1,1	166	–	194	1	0,015	17
		179	–	201	–	2	169	–	211	2	0,02	17
		179	–	202	–	2	169	–	211	2	0,02	17
	185	–	214	–	1,5	167	–	233	1,5	0,02	17	
	185	–	–	219	2,1	169	–	231	2	0,025	16	
	185	–	–	219	2,1	169	–	231	2	0,025	16	
	185	–	–	219	2,1	169	185	231	2	0,025	16	
	185	–	–	219	2,1	169	185	231	2	0,025	16	
	205	–	243	–	3	174	–	276	2,5	0,025	15	

1.1 Single row deep groove ball bearings

d 160 – 200 mm

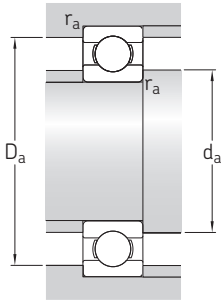
1.1



Principal dimensions			Basic load ratings		Fatigue load limit	Speed ratings		Mass	Designations	
d	D	B	dynamic	static		Reference speed	Limiting speed ¹⁾		Bearing open or capped on both sides	capped on one side ¹⁾
mm			kN		kN	r/min	kg	–		
160 cont.	290	48	186	186	5,3	4 500	4 300	14	▶ 6232 M	–
	340	68	276	285	7,65	4 000	2 600	26	▶ 6332	–
	340	68	276	285	7,65	4 000	3 800	30	▶ 6332 M	–
170	215	22	61,8	78	2,4	6 000	3 600	1,65	▶ 61834	–
	230	28	93,6	106	3,15	5 600	4 800	3,35	▶ 61934 MA	–
	260	28	119	129	3,75	5 300	3 200	5	▶ 16034	–
	260	42	168	173	5	5 300	3 200	7	▶ 6034	–
	260	42	168	173	5	5 300	4 300	8,15	▶ 6034 M	–
	310	52	212	224	6,1	4 300	2 800	16	▶ 6234	–
	310	52	212	224	6,1	4 300	3 800	17,5	▶ 6234 M	–
	360	72	312	340	8,8	3 800	2 400	31	▶ 6334	–
	360	72	312	340	8,8	3 800	3 400	35	▶ 6334 M	–
	180	225	22	62,4	81,5	2,45	5 600	3 400	1,75	▶ 61836
250		33	119	134	3,9	5 300	3 200	5	▶ 61936	–
250		33	119	134	3,9	5 300	4 300	5	▶ 61936 MA	–
280		31	138	146	4,15	4 800	3 000	6,5	▶ 16036	–
280		46	190	200	5,6	4 800	3 000	9,1	▶ 6036	–
280		46	190	200	5,6	4 800	4 000	10,5	▶ 6036 M	–
320		52	229	240	6,4	4 000	2 600	16	▶ 6236	–
320		52	229	240	6,4	4 000	3 800	18	▶ 6236 M	–
380		75	351	405	10,4	3 600	2 200	36,5	▶ 6336	–
380		75	351	405	10,4	3 600	3 200	41	▶ 6336 M	–
190	240	24	76,1	98	2,8	5 300	3 200	2,25	▶ 61838	–
	260	33	117	134	3,8	5 000	3 200	4,5	▶ 61938	–
	260	33	117	134	3,8	5 000	4 300	5,2	▶ 61938 MA	–
	290	31	148	166	4,55	4 800	3 000	6,9	▶ 16038	–
	290	46	195	216	5,85	4 800	3 000	9,55	▶ 6038	–
	290	46	195	216	5,85	4 800	3 800	11	▶ 6038 M	–
	340	55	255	280	7,35	3 800	2 400	19,5	▶ 6238	–
	340	55	255	280	7,35	3 800	3 400	21,5	▶ 6238 M	–
	400	78	371	430	10,8	3 400	2 200	42	▶ 6338	–
	400	78	371	430	10,8	3 400	3 000	47,5	▶ 6338 M	–
200	250	24	76,1	102	2,9	5 000	3 200	2,35	▶ 61840	–
	280	38	148	166	4,55	4 800	3 000	6,3	▶ 61940	–
	280	38	148	166	4,55	4 800	3 800	7,3	▶ 61940 MA	–

▶ Popular item

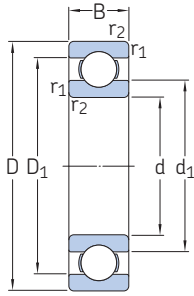
¹⁾ For bearings with only one shield or one non-contact seal (Z, RZ) the limiting speeds of the open bearings are valid.



Dimensions						Abutment and fillet dimensions				Calculation factors		
d	d ₁ ≈	d ₂ ≈	D ₁ ≈	D ₂ ≈	r _{1,2} min.	d _a min.	d _a max.	D _a max.	r _a max.	k _r	f ₀	
mm						mm				–		
160 cont.	205	–	243	–	3	174	–	276	2,5	0,025	15	
	218	–	281	–	4	177	–	323	3	0,03	14	
	218	–	281	–	4	177	–	323	3	0,03	14	
170	184	–	202	–	1,1	176	–	209	1	0,015	17	
	189	–	212	–	2	179	–	221	2	0,02	17	
	200	–	229	–	1,5	177	–	253	1,5	0,02	16	
	198	–	232	–	2,1	180	–	250	2	0,025	16	
	198	–	232	–	2,1	180	–	250	2	0,025	16	
	218	–	259	–	4	187	–	293	3	0,025	15	
	218	–	259	–	4	187	–	293	3	0,025	15	
	230	–	299	–	4	187	–	343	3	0,03	14	
	230	–	299	–	4	187	–	343	3	0,03	14	
	180	194	–	211	–	1,1	186	–	219	1	0,015	17
		202	–	228	–	2	189	–	241	2	0,02	17
		202	–	229	–	2	189	–	241	2	0,02	17
213		–	246	–	2	189	–	271	2	0,02	16	
212		–	248	–	2,1	190	–	270	2	0,025	16	
212		–	248	–	2,1	190	–	270	2	0,025	16	
226		–	274	–	4	197	–	303	3	0,025	15	
226		–	274	–	4	197	–	303	3	0,025	15	
244		–	315	–	4	197	–	363	3	0,03	14	
244		–	315	–	4	197	–	363	3	0,03	14	
190		206	–	224	–	1,5	197	–	233	1,5	0,015	17
		212	–	238	–	2	199	–	251	2	0,02	17
	212	–	239	–	2	199	–	251	2	0,02	17	
	223	–	256	–	2	199	–	281	2	0,02	16	
	222	–	258	–	2,1	200	–	280	2	0,025	16	
	222	–	258	–	2,1	200	–	280	2	0,025	16	
	239	–	290	–	4	207	–	323	3	0,025	15	
	239	–	290	–	4	207	–	323	3	0,025	15	
	259	–	331	–	5	210	–	380	4	0,03	14	
	259	–	331	–	5	210	–	380	4	0,03	14	
	200	216	–	234	–	1,5	207	–	243	1,5	0,015	17
		225	–	255	–	2,1	210	–	270	2	0,02	16
225		–	256	–	2,1	210	–	270	2	0,02	16	

1.1 Single row deep groove ball bearings d 200 – 260 mm

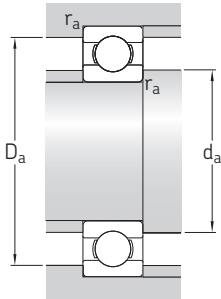
1.1



Principal dimensions			Basic load ratings		Fatigue load limit	Speed ratings		Mass	Designations		
d	D	B	C	C ₀		Reference speed	Limiting speed ¹⁾		Bearing open or capped on both sides	capped on one side ¹⁾	
mm			kN		kN	r/min	kg	–			
200 cont.	310	34	168	190	5,1	4 300	2 800	8,8	▶ 16040	–	
	310	51	216	245	6,4	4 300	2 800	12,5	6040	–	
	310	51	216	245	6,4	4 300	3 600	14	▶ 6040 M	–	
	360	58	270	310	7,8	3 600	2 200	23,5	6240	–	
	360	58	270	310	7,8	3 600	3 200	26	▶ 6240 M	–	
	220	270	24	78	110	3	4 500	2 800	2,55	▶ 61844	–
300		38	151	180	4,75	4 300	2 600	6,8	61944	–	
300		38	151	180	4,75	4 300	3 600	7,95	▶ 61944 MA	–	
340		37	174	204	5,2	4 000	2 400	11,5	▶ 16044	–	
340		56	247	290	7,35	4 000	2 400	16	6044	–	
340		56	247	290	7,35	4 000	3 200	18,5	▶ 6044 M	–	
400		65	296	365	8,8	3 200	2 000	33,5	6244	–	
400		65	296	365	8,8	3 200	3 000	36,5	▶ 6244 M	–	
460		88	410	520	12	3 000	2 600	73	▶ 6344 M	–	
240		300	28	108	150	3,8	4 000	2 600	3,9	▶ 61848	–
		320	38	159	200	5,1	4 000	2 400	7,3	61948	–
		320	38	159	200	5,1	4 000	3 200	8,55	▶ 61948 MA	–
	360	37	203	255	6,3	3 600	2 200	12,5	▶ 16048	–	
	360	37	203	255	6,3	3 600	3 000	14	▶ 16048 MA	–	
	360	56	255	315	7,8	3 600	2 200	17	6048	–	
	360	56	255	315	7,8	3 600	3 000	19,5	▶ 6048 M	–	
	440	72	358	465	10,8	3 000	2 600	51	▶ 6248 M	–	
	500	95	442	585	12,9	2 600	2 400	97	6348 M	–	
	260	320	28	111	163	4	3 800	2 400	4,15	▶ 61852	–
		360	46	212	270	6,55	3 600	2 200	12	61952	–
		360	46	212	270	6,55	3 600	3 000	14,5	▶ 61952 MA	–
400		44	238	310	7,2	3 200	2 000	18	16052	–	
400		44	238	310	7,2	3 200	2 800	22,5	▶ 16052 MA	–	
400		65	291	375	8,8	3 200	2 000	25	6052	–	
400		65	291	375	8,8	3 200	2 800	29	▶ 6052 M	–	
480		80	390	530	11,8	2 600	2 400	65,5	▶ 6252 M	–	

▶ Popular item

¹⁾ For bearings with only one shield or one non-contact seal (Z, RZ) the limiting speeds of the open bearings are valid.

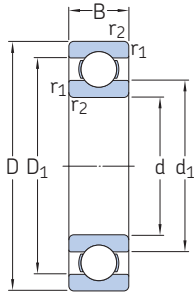


Dimensions						Abutment and fillet dimensions				Calculation factors	
d	d ₁ ≈	d ₂ ≈	D ₁ ≈	D ₂ ≈	r _{1,2} min.	d _a min.	d _a max.	D _a max.	r _a max.	k _r	f ₀
mm						mm				-	
200 cont.	237	-	273	-	2	209	-	301	2	0,02	16
	235	-	275	-	2,1	210	-	300	2	0,025	16
	235	-	275	-	2,1	210	-	300	2	0,025	16
	254	-	303	-	4	217	-	343	3	0,025	15
	254	-	303	-	4	217	-	343	3	0,025	15
220	236	-	254	-	1,5	227	-	263	1,5	0,015	17
	245	-	275	-	2,1	230	-	290	2	0,02	17
	245	-	276	-	2,1	230	-	290	2	0,02	17
	261	-	298	-	2,1	230	-	330	2	0,02	17
	258	-	302	-	3	233	-	327	2,5	0,025	16
	258	-	302	-	3	233	-	327	2,5	0,025	16
	282	-	335	-	4	237	-	383	3	0,025	15
	282	-	335	-	4	237	-	383	3	0,025	15
	301	-	379	-	5	240	-	440	4	0,03	14
240	259	-	281	-	2	249	-	291	2	0,015	17
	265	-	295	-	2,1	250	-	310	2	0,02	17
	265	-	296	-	2,1	250	-	310	2	0,02	17
	279	-	318	-	2,1	250	-	350	2	0,02	17
	279	-	321	-	2,1	250	-	350	2	0,02	17
	277	-	322	-	3	253	-	347	2,5	0,025	16
	277	-	322	-	3	253	-	347	2,5	0,025	16
	309	-	371	-	4	257	-	423	3	0,025	15
	331	-	409	-	5	260	-	480	4	0,03	15
260	279	-	301	-	2	269	-	311	2	0,015	17
	291	-	329	-	2,1	270	-	350	2	0,02	17
	291	-	330	-	2,1	270	-	350	2	0,02	17
	307	-	351	-	3	273	-	387	2,5	0,02	16
	307	-	353	-	3	273	-	387	2,5	0,02	16
	304	-	356	-	4	277	-	383	3	0,025	16
	304	-	356	-	4	277	-	383	3	0,025	16
	337	-	403	-	5	280	-	460	4	0,025	15

1.1 Single row deep groove ball bearings

d 280 – 380 mm

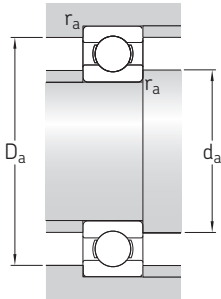
1.1



Principal dimensions			Basic load ratings		Fatigue load limit	Speed ratings		Mass	Designations	
d	D	B	dynamic	static		Reference speed	Limiting speed ¹⁾		Bearing open or capped on both sides	capped on one side ¹⁾
mm			kN		kN	r/min	kg	–		
280	350	33	138	200	4,75	3 400	2 200	6,25	▶ 61856	–
	350	33	138	200	4,75	3 400	2 800	7,25	▶ 61856 MA	–
	380	46	216	285	6,7	3 200	2 000	12	61956	–
	380	46	216	285	6,7	3 200	2 800	15,5	▶ 61956 MA	–
	420	44	242	335	7,5	3 000	1 900	19	16056	–
	420	44	242	335	7,5	3 000	2 600	23,5	▶ 16056 MA	–
	420	65	302	405	9,3	3 000	1 900	26	6056	–
	420	65	302	405	9,3	3 000	2 600	31	▶ 6056 M	–
	500	80	423	600	12,9	2 600	2 200	72	6256 M	–
	300	380	38	172	245	5,6	3 200	2 000	8,9	▶ 61860
380		38	172	245	5,6	3 200	2 600	10,5	▶ 61860 MA	–
420		56	270	375	8,3	3 000	1 900	19	61960	–
420		56	270	375	8,3	3 000	2 400	24,5	▶ 61960 MA	–
460		50	286	405	8,8	2 800	1 800	32	▶ 16060 MA	–
460		74	358	500	10,8	2 800	2 400	44	▶ 6060 M	–
540		85	462	670	13,7	2 400	2 000	88,5	6260 M	–
320	400	38	172	255	5,7	3 000	1 900	9,5	61864	–
	400	38	172	255	5,7	3 000	2 400	11	▶ 61864 MA	–
	440	56	276	400	8,65	2 800	2 400	25,5	▶ 61964 MA	–
	480	50	281	405	8,65	2 600	2 200	34	▶ 16064 MA	–
340	480	74	371	540	11,4	2 600	2 200	46	▶ 6064 M	–
	420	38	178	275	6	2 800	1 800	10	61868	–
	420	38	178	275	6	2 800	2 400	11,5	▶ 61868 MA	–
	460	56	281	425	9	2 600	2 200	26,5	▶ 61968 MA	–
	520	57	345	520	10,6	2 400	2 000	45	16068 MA	–
360	520	82	423	640	13,2	2 400	2 200	62	▶ 6068 M	–
	440	38	182	285	6,1	2 600	2 200	12	▶ 61872 MA	–
	480	56	291	450	9,15	2 600	2 200	28	▶ 61972 MA	–
	540	57	351	550	11	1 800	1 400	49	16072 MA	–
	540	82	442	695	14	2 400	1 900	64,5	▶ 6072 M	–
	380	480	46	242	390	8	2 400	2 000	20	▶ 61876 MA
520		65	338	540	10,8	2 400	1 900	40	▶ 61976 MA	–
560		57	377	620	12,2	2 200	1 400	51	16076 MA	–
560		82	436	695	13,7	2 200	1 800	70,5	▶ 6076 M	–

▶ Popular item

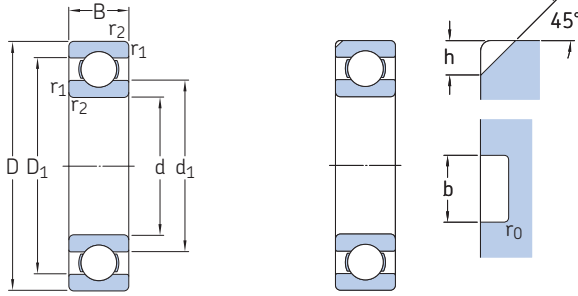
¹⁾ For bearings with only one shield or one non-contact seal (Z, RZ) the limiting speeds of the open bearings are valid.



Dimensions						Abutment and fillet dimensions				Calculation factors		
d	d ₁ ≈	d ₂ ≈	D ₁ ≈	D ₂ ≈	r _{1,2} min.	d _a min.	d _a max.	D _a max.	r _a max.	k _r	f ₀	
mm						mm				–		
280	302	–	327	–	2	289	–	341	2	0,015	17	
	302	–	328	–	3,8	289	–	341	2	0,015	17	
	311	–	349	–	2,1	291	–	369	2	0,02	17	
	311	–	350	–	2,1	291	–	369	2	0,02	17	
	327	–	371	–	3	293	–	407	2,5	0,02	17	
	327	–	374	–	3	293	–	407	2,5	0,02	17	
	324	–	376	–	4	296	–	404	3	0,025	16	
	324	–	376	–	4	296	–	404	3	0,025	16	
	355	–	425	–	5	300	–	480	4	0,025	15	
300	325	–	355	–	2,1	309	–	371	2	0,015	17	
	325	–	356	–	2,1	309	–	371	2	0,015	17	
	338	–	382	–	3	313	–	407	2,5	0,02	16	
	338	–	384	–	3	313	–	407	2,5	0,02	16	
	352	–	407	–	4	315	–	445	3	0,02	16	
	351	–	409	–	4	315	–	445	3	0,025	16	
	383	–	457	–	5	320	–	520	4	0,025	15	
	320	345	–	375	–	2,1	332	–	388	2	0,015	17
		345	–	376	–	2,1	332	–	388	2	0,015	17
357		–	403	–	3	333	–	427	2,5	0,02	16	
372		–	428	–	4	335	–	465	3	0,02	17	
370		–	431	–	4	335	–	465	3	0,025	16	
340		365	–	395	–	2,1	352	–	408	2	0,015	17
	365	–	396	–	2,1	352	–	408	2	0,015	17	
	378	–	422	–	3	353	–	447	2,5	0,02	17	
	398	–	462	–	4	355	–	505	3	0,02	16	
	397	–	463	–	5	360	–	500	4	0,025	16	
	360	385	–	415	–	2,1	372	–	428	2	0,015	17
398		–	443	–	3	373	–	467	2,5	0,02	17	
418		–	482	–	4	375	–	525	3	0,02	16	
416		–	485	–	5	378	–	522	4	0,025	16	
380		412	–	449	–	2,1	392	–	468	2	0,015	17
	425	–	476	–	4	395	–	505	3	0,02	17	
	443	–	497	–	4	395	–	545	3	0,02	17	
	437	–	503	–	5	400	–	542	4	0,025	16	

1.1 Single row deep groove ball bearings

d 400 – 710 mm

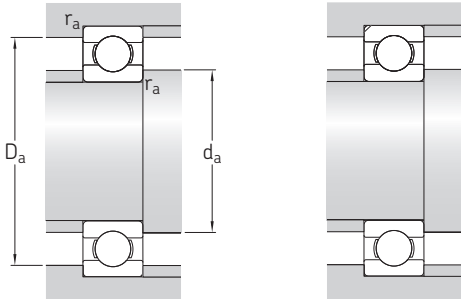


Designation	Dimensions		
	h	b	r ₀
–	mm		
60/500 N1MAS	20	15.5	3
60/530 N1MAS	20	15.5	3
60/560 N1MAS	25	20.5	3
619/630 N1MAS	25	20.5	3
60/630 N1MBS	32	20.5	3
60/670 N1MAS	32	20.5	3

Principal dimensions			Basic load ratings		Fatigue load limit	Speed ratings		Mass	Designations	
d	D	B	C	C ₀		Reference speed	Limiting speed ¹⁾		Bearing open or capped on both sides	capped on one side ¹⁾
mm			kN		kN	r/min		kg	–	
400	500	46	247	405	8,15	2 400	1 900	20,5	▶ 61880 MA	–
	540	65	345	570	11,2	2 200	1 800	41,5	▶ 61980 MA	–
	600	90	520	865	16,3	2 000	1 700	87,5	▶ 6080 M	–
420	520	46	251	425	8,3	2 200	1 800	21,5	▶ 61884 MA	–
	560	65	351	600	11,4	2 200	1 800	43	▶ 61984 MA	–
	620	90	507	880	16,3	2 000	1 600	91,5	6084 M	–
440	540	46	255	440	8,5	2 200	1 800	22,5	▶ 61888 MA	–
	600	74	410	720	13,2	2 000	1 600	60,5	61988 MA	–
	650	94	553	965	17,6	1 900	1 500	105	6088 M	–
460	580	56	319	570	10,6	2 000	1 600	35	▶ 61892 MA	–
	620	74	423	750	13,7	1 900	1 600	62,5	61992 MA	–
	680	100	582	1 060	19	1 800	1 500	120	6092 MB	–
480	600	56	325	600	10,8	1 900	1 600	36,5	▶ 61896 MA	–
	650	78	449	815	14,6	1 800	1 500	74	61996 MA	–
	700	100	618	1 140	20	1 700	1 400	125	6096 MB	–
500	620	56	332	620	11,2	1 800	1 500	40,5	▶ 618/500 MA	–
	670	78	462	865	15	1 700	1 400	81,5	619/500 MA	–
	720	100	605	1 140	19,6	1 600	1 300	135	60/500 N1MAS	–
530	650	56	332	655	11,2	1 700	1 400	39,5	▶ 618/530 MA	–
	710	82	488	930	15,6	1 600	1 300	90,5	619/530 MA	–
	780	112	650	1 270	20,8	1 500	1 200	185	60/530 N1MAS	–
560	680	56	345	695	11,8	1 600	1 300	42	▶ 618/560 MA	–
	750	85	494	980	16,3	1 500	1 200	105	619/560 MA	–
	820	115	663	1 370	22	1 400	1 200	210	60/560 N1MAS	–
600	730	60	364	765	12,5	1 500	1 200	52	▶ 618/600 MA	–
	800	90	585	1 220	19,6	1 400	1 100	125	619/600 MA	–
	870	118	728	1 500	23,6	1 300	1 100	230	60/600 MA	–
630	780	69	442	965	15,3	1 400	1 100	73	▶ 618/630 MA	–
	850	100	624	1 340	21,2	1 300	1 100	160	619/630 N1MA	–
	920	128	819	1 760	27	1 200	1 000	285	60/630 N1MBS	–
670	820	69	442	1 000	15,6	1 300	1 100	83,5	▶ 618/670 MA	–
	900	103	676	1 500	22,4	1 200	1 000	192	619/670 MA	–
	980	136	904	2 040	30	1 100	900	345	60/670 N1MAS	–
710	870	74	475	1 100	16,6	1 200	1 000	93,5	▶ 618/710 MA	–
	950	106	663	1 500	22	1 100	900	220	619/710 MA	–
	1 030	140	956	2 200	31,5	1 000	850	382	60/710 MA	–

▶ Popular item

¹⁾ For bearings with only one shield or one non-contact seal (Z, RZ) the limiting speeds of the open bearings are valid.

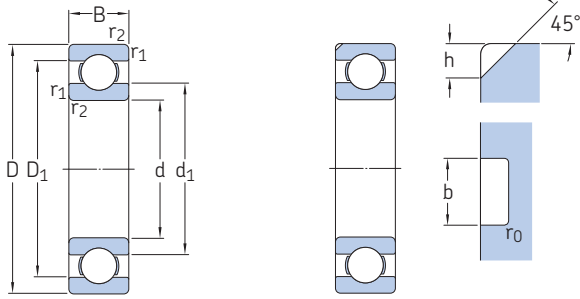


Dimensions						Abutment and fillet dimensions				Calculation factors	
d	d ₁ ≈	d ₂ ≈	D ₁ ≈	D ₂ ≈	r _{1,2} min.	d _a min.	d _a max.	D _a max.	r _a max.	k _r	f ₀
mm						mm				–	
400	432	–	471	–	2,1	412	–	488	2	0,015	17
	445	–	496	–	4	415	–	525	3	0,02	17
	463	–	537	–	5	418	–	582	4	0,025	16
420	452	–	491	–	2,1	432	–	508	2	0,015	17
	465	–	516	–	4	435	–	545	3	0,02	17
	482	–	557	–	5	438	–	602	4	0,025	16
440	472	–	510	–	2,1	452	–	528	2	0,015	17
	492	–	549	–	4	455	–	585	3	0,02	17
	506	–	584	–	6	463	–	627	5	0,025	16
460	498	–	542	–	3	473	–	567	2,5	0,015	17
	511	–	569	–	4	476	–	604	3	0,02	17
	528	–	614	–	6	483	–	657	5	0,025	16
480	518	–	564	–	3	493	–	587	2,5	0,015	17
	535	–	595	–	5	498	–	632	4	0,02	17
	550	–	630	–	6	503	–	677	5	0,025	16
500	538	–	582	–	3	513	–	607	2,5	0,015	17
	555	–	617	–	5	518	–	652	4	0,02	17
	568	–	650	–	6	523	–	697	5	0,025	16
530	568	–	613	–	3	543	–	637	2,5	0,015	17
	587	–	653	–	5	548	–	692	4	0,02	17
	612	–	700	–	6	553	–	757	5	0,025	16
560	598	–	644	–	3	573	–	667	2,5	0,015	17
	622	–	689	–	5	578	–	732	4	0,02	17
	648	–	732	–	6	583	–	797	5	0,025	16
600	642	–	688	–	3	613	–	717	2,5	0,015	17
	663	–	736	–	5	618	–	782	4	0,02	17
	689	–	781	–	6	623	–	847	5	0,025	16
630	678	–	732	–	4	645	–	765	3	0,015	17
	702	–	778	–	6	653	–	827	5	0,02	17
	725	–	825	–	7,5	658	–	892	6	0,025	16
670	718	–	772	–	4	685	–	805	3	0,015	17
	745	–	825	–	6	693	–	877	5	0,02	17
	771	–	878	–	7,5	698	–	952	6	0,025	16
710	761	–	818	–	4	725	–	855	3	0,015	17
	790	–	870	–	6	733	–	927	5	0,02	17
	811	–	928	–	7,5	738	–	1 002	6	0,025	16

1.1 Single row deep groove ball bearings

d 750 – 1 500 mm

1.1

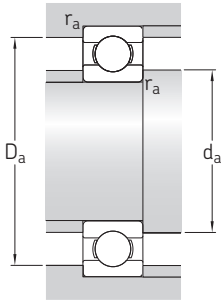


Designation	Dimensions		
	h	b	r ₀
–	mm		
60/800 N1MAS	32	20.5	3

Principal dimensions			Basic load ratings		Fatigue load limit	Speed ratings		Mass	Designations	
d	D	B	dynamic	static		Reference speed	Limiting speed ¹⁾		Bearing open or capped on both sides	capped on one side ¹⁾
mm			kN		kN	r/min	kg	–		
750	920	78	527	1 250	18,3	1 100	900	110	▶ 618/750 MA	–
	1 000	112	761	1 800	25,5	1 000	850	255	619/750 MA	–
	1 090	150	995	2 360	33,5	950	800	485	60/750 MA	–
800	980	82	559	1 370	19,3	1 000	850	130	▶ 618/800 MA	–
	1 060	115	832	2 040	28,5	950	800	275	619/800 MA	–
	1 150	155	1 010	2 550	34,5	900	750	523	60/800 N1MAS	–
850	1 030	82	559	1 430	19,6	950	750	140	▶ 618/850 MA	–
	1 120	118	852	2 120	28,5	850	750	320	619/850 MA	–
900	1 090	85	618	1 600	21,6	850	700	167	▶ 618/900 MA	–
950	1 150	90	637	1 730	22,4	800	670	197	▶ 618/950 MA	–
1 000	1 220	100	637	1 800	22,8	750	600	245	▶ 618/1000 MA	–
1 060	1 280	100	728	2 120	26,5	670	560	260	618/1060 MA	–
1 120	1 360	106	741	2 200	26,5	630	530	315	▶ 618/1120 MA	–
1 180	1 420	106	761	2 360	27,5	560	480	337	618/1180 MB	–
1 320	1 600	122	956	3 150	35,5	480	400	500	618/1320 MA	–
1 500	1 820	140	1 170	4 150	43	380	240	638	618/1500 TN	–

▶ Popular item

¹⁾ For bearings with only one shield or one non-contact seal (Z, RZ) the limiting speeds of the open bearings are valid.

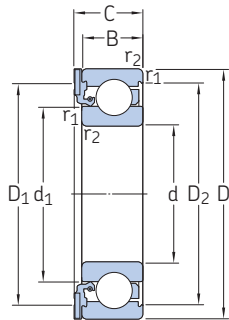


Dimensions						Abutment and fillet dimensions				Calculation factors	
d	d ₁ ≈	d ₂ ≈	D ₁ ≈	D ₂ ≈	r _{1,2} min.	d _a min.	d _a max.	D _a max.	r _a max.	k _r	f ₀
mm						mm				–	
750	804	–	866	–	5	768	–	902	4	0,015	17
	835	–	919	–	6	773	–	977	5	0,02	17
	862	–	978	–	7,5	778	–	1 062	6	0,025	16
800	857	–	922	–	5	818	–	962	4	0,015	17
	884	–	975	–	6	823	–	1 037	5	0,02	17
	914	–	1 032	–	7,5	828	–	1 122	6	0,025	16
850	907	–	972	–	5	868	–	1 012	4	0,015	17
	937	–	1 033	–	6	873	–	1 097	5	0,02	17
900	960	–	1 029	–	5	918	–	1 072	4	0,015	18
950	1 015	–	1 084	–	5	968	–	1 132	4	0,015	18
1 000	1 076	–	1 145	–	6	1 023	–	1 197	5	0,015	17
1 060	1 132	–	1 208	–	6	1 083	–	1 257	5	0,015	18
1 120	1 201	–	1 278	–	6	1 143	–	1 337	5	0,015	18
1 180	1 262	–	1 338	–	6	1 203	–	1 397	5	0,015	18
1 320	1 414	–	1 506	–	6	1 343	–	1 577	5	0,015	18
1 500	1 606	–	1 712	–	7,5	1 528	–	1 792	6	0,015	18

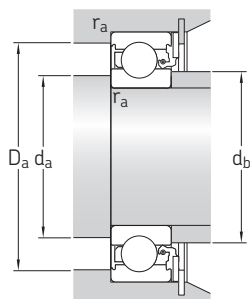
1.2 ICOS oil sealed bearing units

d 12 – 30 mm

1.2



Principal dimensions				Basic load ratings		Fatigue load limit	Limiting speed	Mass	Designation
d	D	B	C	dynamic	static				
mm				C	C ₀	P _u	r/min	kg	–
12	32	10	12,6	7,28	3,1	0,132	14 000	0,041	ICOS-D1B01 TN9
15	35	11	13,2	8,06	3,75	0,16	12 000	0,048	ICOS-D1B02 TN9
17	40	12	14,2	9,95	4,75	0,2	11 000	0,071	ICOS-D1B03 TN9
20	47	14	16,2	13,5	6,55	0,28	9 300	0,11	ICOS-D1B04 TN9
25	52	15	17,2	14,8	7,8	0,335	7 700	0,14	ICOS-D1B05 TN9
30	62	16	19,4	20,3	11,2	0,475	6 500	0,22	ICOS-D1B06 TN9

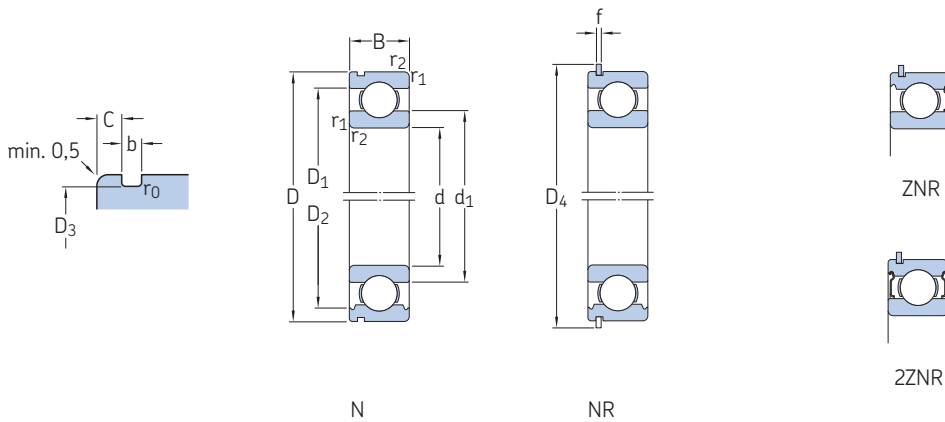


Dimensions					Abutment and fillet dimensions					Calculation factors	
d	d_1 ≈	D_1 ≈	D_2 ≈	$r_{1,2}$ min.	d_a, d_b min.	d_a max.	d_b max.	D_a max.	r_a max.	k_r	f_0
mm					mm					-	
12	18,4	-1)	27,4	0,6	16,2	18,4	18	27,8	0,6	0,025	12
15	21,7	30,8	30,5	0,6	19,2	21,7	21,5	30,8	0,6	0,025	13
17	24,5	35,6	35	0,6	21,2	24,5	24	35,8	0,6	0,025	13
20	28,8	42	40,6	1	25,6	28,8	28,5	41,4	1	0,025	13
25	34,3	47	46,3	1	30,6	34,3	34	46,4	1	0,025	14
30	40,3	55,6	54,1	1	35,6	40,3	40	56	1	0,025	14

¹⁾ Full rubber cross section

1.3 Single row deep groove ball bearings with a snap ring groove

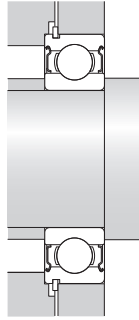
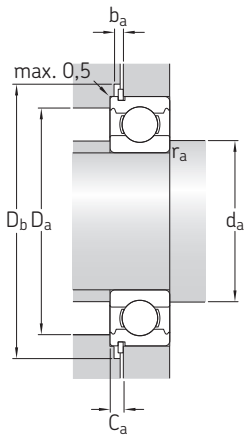
d 10 – 35 mm



Principal dimensions			Basic load ratings		Fatigue load limit	Speed ratings		Mass	Designations		Snap ring
d	D	B	C	C ₀	P _u	Reference speed	Limiting speed ¹⁾		Bearings ¹⁾		
mm			kN		kN	r/min		kg	–		
10	30	9	5,4	2,36	0,1	56 000	28 000	0,035	6200-ZNR	6200-2ZNR	SP 30
	30	9	5,4	2,36	0,1	56 000	36 000	0,032	6200 N	6200 NR	SP 30
12	32	10	7,28	3,1	0,132	50 000	26 000	0,037	6201-ZNR	6201-2ZNR	SP 32
	32	10	7,28	3,1	0,132	50 000	32 000	0,037	6201 N	6201 NR	SP 32
15	35	11	8,06	3,75	0,16	43 000	22 000	0,045	6202-ZNR	6202-2ZNR	SP 35
	35	11	8,06	3,75	0,16	43 000	28 000	0,045	6202 N	6202 NR	SP 35
17	40	12	9,95	4,75	0,2	38 000	19 000	0,065	6203-ZNR	6203-2ZNR	SP 40
	40	12	9,95	4,75	0,2	38 000	24 000	0,065	6203 N	6203 NR	SP 40
	47	14	14,3	6,55	0,275	34 000	17 000	0,12	6303-ZNR	6303-2ZNR	SP 47
	47	14	14,3	6,55	0,275	34 000	22 000	0,12	6303 N	6303 NR	SP 47
20	42	12	9,95	5	0,212	38 000	19 000	0,069	6004-ZNR	6004-2ZNR	SP 42
	42	12	9,95	5	0,212	38 000	24 000	0,069	6004 N	6004 NR	SP 42
	47	14	13,5	6,55	0,28	32 000	17 000	0,11	6204-ZNR	6204-2ZNR	SP 47
	47	14	13,5	6,55	0,28	32 000	20 000	0,11	6204 N	6204 NR	SP 47
	52	15	16,8	7,8	0,335	30 000	15 000	0,16	6304-ZNR	6304-2ZNR	SP 52
52	15	16,8	7,8	0,335	30 000	19 000	0,15	6304 N	6304 NR	SP 52	
25	47	12	11,9	6,55	0,275	32 000	16 000	0,08	6005-ZNR	6005-2ZNR	SP 47
	47	12	11,9	6,55	0,275	32 000	20 000	0,08	6005 N	6005 NR	SP 47
	52	15	14,8	7,8	0,335	28 000	14 000	0,13	6205-ZNR	6205-2ZNR	SP 52
	52	15	14,8	7,8	0,335	28 000	18 000	0,13	6205 N	6205 NR	SP 52
	62	17	23,4	11,6	0,49	24 000	13 000	0,24	6305-ZNR	6305-2ZNR	SP 62
62	17	23,4	11,6	0,49	24 000	16 000	0,23	6305 N	6305 NR	SP 62	
30	55	13	13,8	8,3	0,355	28 000	17 000	0,12	6006 N	6006 NR	SP 55
	62	16	20,3	11,2	0,475	24 000	12 000	0,21	6206-ZNR	6206-2ZNR	SP 62
	62	16	20,3	11,2	0,475	24 000	15 000	0,21	6206 N	6206 NR	SP 62
	72	19	29,6	16	0,67	20 000	11 000	0,37	6306-ZNR	6306-2ZNR	SP 72
72	19	29,6	16	0,67	20 000	13 000	0,36	6306 N	6306 NR	SP 72	
35	62	14	16,8	10,2	0,44	24 000	15 000	0,16	6007 N	6007 NR	SP 62
	72	17	27	15,3	0,655	20 000	10 000	0,31	6207-ZNR	6207-2ZNR	SP 72
	72	17	27	15,3	0,655	20 000	13 000	0,3	6207 N	6207 NR	SP 72
80	80	21	35,1	19	0,82	19 000	9 500	0,48	6307-ZNR	6307-2ZNR	SP 80
	80	21	35,1	19	0,82	19 000	12 000	0,47	6307 N	6307 NR	SP 80
	100	25	55,3	31	1,29	16 000	10 000	0,99	6407 N	6407 NR	SP 100

SKF Explorer bearing

¹⁾ For bearings with one shield (ZNR) the limiting speeds of the open bearings are valid.

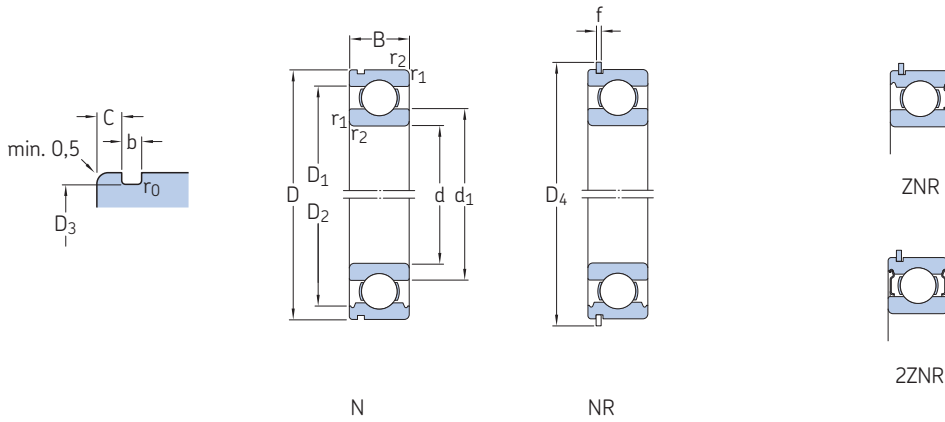


Dimensions										Abutment and fillet dimensions								Calculation factors	
d	d ₁	D ₁	D ₂	D ₃	D ₄	b	f	C	r _{1,2}	r ₀	d _a	d _a	D _a	D _b	b _a	C _a	r _a	k _r	f ₀
mm										mm								-	
10	17	-	24,8	28,17	34,7	1,35	1,12	2,06	0,6	0,4	14,2	16,9	25,8	36	1,5	3,18	0,6	0,025	13
	17	-	24,8	28,17	34,7	1,35	1,12	2,06	0,6	0,4	14,2	-	25,8	36	1,5	3,18	0,6	0,025	13
12	18,4	-	27,4	30,15	36,7	1,35	1,12	2,06	0,6	0,4	16,2	18,4	27,8	38	1,5	3,18	0,6	0,025	12
	18,4	-	27,4	30,15	36,7	1,35	1,12	2,06	0,6	0,4	16,2	-	27,8	38	1,5	3,18	0,6	0,025	12
15	21,7	-	30,5	33,17	39,7	1,35	1,12	2,06	0,6	0,4	19,2	21,6	30,8	41	1,5	3,18	0,6	0,025	13
	21,7	-	30,5	33,17	39,7	1,35	1,12	2,06	0,6	0,4	19,2	-	30,8	41	1,5	3,18	0,6	0,025	13
17	24,5	-	35	38,1	44,6	1,35	1,12	2,06	0,6	0,4	21,2	24,4	35,8	46	1,5	3,18	0,6	0,025	13
	24,5	-	35	38,1	44,6	1,35	1,12	2,06	0,6	0,4	21,2	-	35,8	46	1,5	3,18	0,6	0,025	13
	26,5	-	39,6	44,6	52,7	1,35	1,12	2,46	1	0,4	22,6	26,4	41,4	54	1,5	3,58	1	0,03	12
	26,5	-	39,6	44,6	52,7	1,35	1,12	2,46	1	0,4	22,6	-	41,4	54	1,5	3,58	1	0,03	12
	26,5	-	39,6	44,6	52,7	1,35	1,12	2,46	1	0,4	22,6	-	41,4	54	1,5	3,58	1	0,03	12
20	27,2	-	37,2	39,75	46,3	1,35	1,12	2,06	0,6	0,4	23,2	27,1	38,8	48	1,5	3,18	0,6	0,025	14
	27,2	-	37,2	39,75	46,3	1,35	1,12	2,06	0,6	0,4	23,2	-	38,8	48	1,5	3,18	0,6	0,025	14
	28,8	-	40,6	44,6	52,7	1,35	1,12	2,46	1	0,4	25,6	28,7	41,4	54	1,5	3,58	1	0,025	13
	28,8	-	40,6	44,6	52,7	1,35	1,12	2,46	1	0,4	25,6	-	41,4	54	1,5	3,58	1	0,025	13
	30,3	-	44,8	49,73	57,9	1,35	1,12	2,46	1,1	0,4	27	30,3	45	59	1,5	3,58	1	0,03	12
30,3	-	44,8	49,73	57,9	1,35	1,12	2,46	1,1	0,4	27	-	45	59	1,5	3,58	1	0,03	12	
25	32	-	42,2	44,6	52,7	1,35	1,12	2,06	0,6	0,4	28,2	31,9	43,8	54	1,5	3,18	0,6	0,025	14
	32	-	42,2	44,6	52,7	1,35	1,12	2,06	0,6	0,4	28,2	-	43,8	54	1,5	3,18	0,6	0,025	14
	34,3	-	46,3	49,73	57,9	1,35	1,12	2,46	1	0,4	30,6	34,3	46,4	59	1,5	3,58	1	0,025	14
	34,3	-	46,3	49,73	57,9	1,35	1,12	2,46	1	0,4	30,6	-	46,4	59	1,5	3,58	1	0,025	14
	36,6	-	52,7	59,61	67,7	1,9	1,7	3,28	1,1	0,6	32	36,5	55	69	2,2	4,98	1	0,03	12
36,6	-	52,7	59,61	67,7	1,9	1,7	3,28	1,1	0,6	32	-	55	69	2,2	4,98	1	0,03	12	
30	38,2	-	49	52,6	60,7	1,35	1,12	2,06	1	0,4	34,6	-	50	62	1,5	3,18	1	0,025	15
	40,3	-	54,1	59,61	67,7	1,9	1,7	3,28	1	0,6	35,6	40,3	56	69	2,2	4,98	1	0,025	14
	40,3	-	54,1	59,61	67,7	1,9	1,7	3,28	1	0,6	35,6	-	56	69	2,2	4,98	1	0,025	14
	44,6	-	61,9	68,81	78,6	1,9	1,7	3,28	1,1	0,6	37	44,5	65	80	2,2	4,98	1	0,03	13
44,6	-	61,9	68,81	78,6	1,9	1,7	3,28	1,1	0,6	37	-	65	80	2,2	4,98	1	0,03	13	
35	43,7	-	55,7	59,61	67,7	1,9	1,7	2,06	1	0,6	39,6	-	57	69	2,2	3,76	1	0,025	15
	46,9	-	62,7	68,81	78,6	1,9	1,7	3,28	1,1	0,6	42	46,8	65	80	2,2	4,98	1	0,025	14
	46,9	-	62,7	68,81	78,6	1,9	1,7	3,28	1,1	0,6	42	-	65	80	2,2	4,98	1	0,025	14
	49,5	-	69,2	76,81	86,6	1,9	1,7	3,28	1,5	0,6	44	49,5	71	88	2,2	4,98	1,5	0,03	13
	49,5	-	69,2	76,81	86,6	1,9	1,7	3,28	1,5	0,6	44	-	71	88	2,2	4,98	1,5	0,03	13
57,4	79,6	-	96,8	106,5	2,7	2,46	3,28	1,5	0,6	46	-	89	108	3	5,74	1,5	0,035	12	

1.3 Single row deep groove ball bearings with a snap ring groove

d 40 – 65 mm

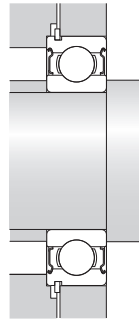
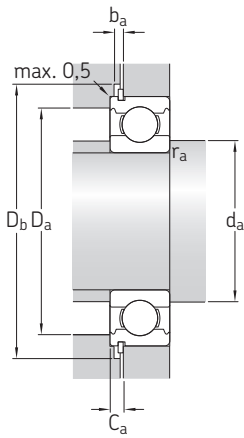
1.3



Principal dimensions			Basic load ratings		Fatigue load limit	Speed ratings		Mass	Designations		Snap ring
d	D	B	C	C ₀	P _u	Reference speed	Limiting speed ¹⁾		Bearings ¹⁾		
mm			kN		kN	r/min		kg	–		
40	68	15	17,8	11	0,49	22 000	14 000	0,19	6008 N	6008 NR	SP 68
	80	18	32,5	19	0,8	18 000	9 000	0,39	6208-ZNR	6208-2ZNR	SP 80
	80	18	32,5	19	0,8	18 000	11 000	0,38	6208 N	6208 NR	SP 80
	90	23	42,3	24	1,02	17 000	8 500	0,64	6308-ZNR	6308-2ZNR	SP 90
	90	23	42,3	24	1,02	17 000	11 000	0,64	6308 N	6308 NR	SP 90
	110	27	63,7	36,5	1,53	14 000	9 000	1,3	6408 N	6408 NR	SP 110
45	75	16	22,1	14,6	0,64	20 000	12 000	0,24	6009 N	6009 NR	SP 75
	85	19	35,1	21,6	0,915	17 000	8 500	0,44	6209-ZNR	6209-2ZNR	SP 85
	85	19	35,1	21,6	0,915	17 000	11 000	0,43	6209 N	6209 NR	SP 85
	100	25	55,3	31,5	1,34	15 000	7 500	0,89	6309-ZNR	6309-2ZNR	SP 100
	100	25	55,3	31,5	1,34	15 000	9 500	0,85	6309 N	6309 NR	SP 100
	120	29	76,1	45	1,9	13 000	8 500	1,6	6409 N	6409 NR	SP 120
50	80	16	22,9	15,6	0,71	18 000	11 000	0,27	6010 N	6010 NR	SP 80
	90	20	37,1	23,2	0,98	15 000	8 000	0,49	6210-ZNR	6210-2ZNR	SP 90
	90	20	37,1	23,2	0,98	15 000	10 000	0,47	6210 N	6210 NR	SP 90
	110	27	65	38	1,6	13 000	6 700	1,15	6310-ZNR	6310-2ZNR	SP 110
	110	27	65	38	1,6	13 000	8 500	1,1	6310 N	6310 NR	SP 110
	130	31	87,1	52	2,2	12 000	7 500	2	6410 N	6410 NR	SP 130
55	90	18	29,6	21,2	0,9	16 000	10 000	0,4	6011 N	6011 NR	SP 90
	100	21	46,2	29	1,25	14 000	7 000	0,66	6211-ZNR	6211-2ZNR	SP 100
	100	21	46,2	29	1,25	14 000	9 000	0,63	6211 N	6211 NR	SP 100
	120	29	74,1	45	1,9	12 000	6 300	1,45	6311-ZNR	6311-2ZNR	SP 120
	120	29	74,1	45	1,9	12 000	8 000	1,4	6311 N	6311 NR	SP 120
	140	33	99,5	62	2,6	11 000	7 000	2,4	6411 N	6411 NR	SP 140
60	95	18	30,7	23,2	0,98	15 000	9 500	0,43	6012 N	6012 NR	SP 95
	110	22	55,3	36	1,53	13 000	6 300	0,83	6212-ZNR	6212-2ZNR	SP 110
	110	22	55,3	36	1,53	13 000	8 000	0,8	6212 N	6212 NR	SP 110
	130	31	85,2	52	2,2	11 000	5 600	1,8	6312-ZNR	6312-2ZNR	SP 130
	130	31	85,2	52	2,2	11 000	7 000	1,75	6312 N	6312 NR	SP 130
	150	35	108	69,5	2,9	10 000	6 300	2,9	6412 N	6412 NR	SP 150
65	100	18	31,9	25	1,06	14 000	9 000	0,45	6013 N	6013 NR	SP 100
	120	23	58,5	40,5	1,73	12 000	6 000	1,1	6213-ZNR	6213-2ZNR	SP 120
	120	23	58,5	40,5	1,73	12 000	7 500	1,05	6213 N	6213 NR	SP 120
	140	33	97,5	60	2,5	10 000	5 300	2,25	6313-ZNR	6313-2ZNR	SP 140
	140	33	97,5	60	2,5	10 000	6 700	2,15	6313 N	6313 NR	SP 140
	160	37	119	78	3,15	9 500	6 000	3,4	6413 N	6413 NR	SP 160

SKF Explorer bearing

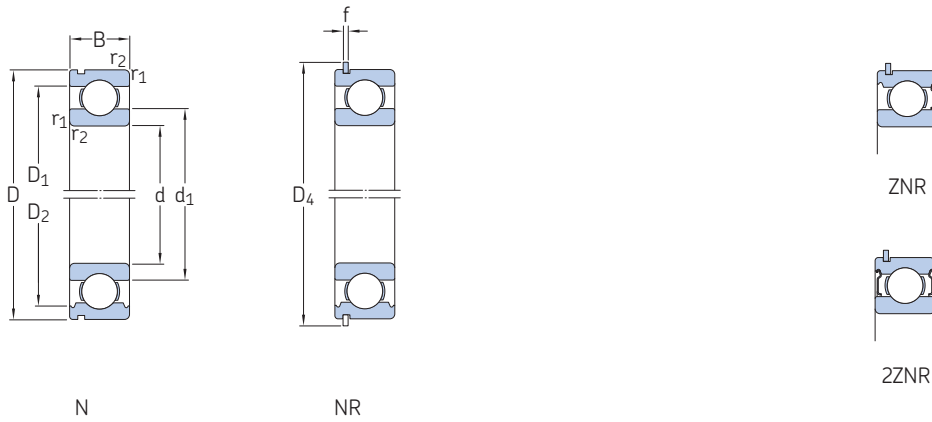
¹⁾ For bearings with one shield (ZNR) the limiting speeds of the open bearings are valid.



Dimensions										Abutment and fillet dimensions								Calculation factors	
d	d ₁	D ₁	D ₂	D ₃	D ₄	b	f	C	r _{1,2}	r ₀	d _a	d _a	D _a	D _b	b _a	C _a	r _a	k _r	f ₀
mm										mm								-	
40	49,2	-	61,1	64,82	74,6	1,9	1,7	2,49	1	0,6	44,6	-	63	76	2,2	4,19	1	0,025	15
	52,6	-	69,8	76,81	86,6	1,9	1,7	3,28	1,1	0,6	47	52	73	88	2,2	4,98	1	0,025	14
	52,6	-	69,8	76,81	86,6	1,9	1,7	3,28	1,1	0,6	47	-	73	88	2,2	4,98	1	0,025	14
	56,1	-	77,7	86,79	96,5	2,7	2,46	3,28	1,5	0,6	49	56	81	98	3	5,74	1,5	0,03	13
	56,1	-	77,7	86,79	96,5	2,7	2,46	3,28	1,5	0,6	49	-	81	98	3	5,74	1,5	0,03	13
	62,8	87	-	106,81	116,6	2,7	2,46	3,28	2	0,6	53	-	97	118	3	5,74	2	0,035	12
45	54,7	-	67,8	71,83	81,6	1,9	1,7	2,49	1	0,6	51	-	69	83	2,2	4,19	1	0,025	15
	57,6	-	75,2	81,81	91,6	1,9	1,7	3,28	1,1	0,6	52	57	78	93	2,2	4,98	1	0,025	14
	57,6	-	75,2	81,81	91,6	1,9	1,7	3,28	1,1	0,6	52	-	78	93	2,2	4,98	1	0,025	14
	62,1	-	86,7	96,8	106,5	2,7	2,46	3,28	1,5	0,6	54	62	91	108	3	5,74	1,5	0,03	13
	62,1	-	86,7	96,8	106,5	2,7	2,46	3,28	1,5	0,6	54	-	91	108	3	5,74	1,5	0,03	13
	68,9	95,9	-	115	129,7	3,1	2,82	4,06	2	0,6	58	-	107	131	3,5	6,88	2	0,035	12
50	59,7	-	72,8	76,81	86,6	1,9	1,7	2,49	1	0,6	55	-	75	88	2,2	4,19	1	0,025	15
	62,5	-	81,7	86,79	96,5	2,7	2,46	3,28	1,1	0,6	57	62	83	98	3	5,74	1	0,025	14
	62,5	-	81,7	86,79	96,5	2,7	2,46	3,28	1,1	0,6	57	-	83	98	3	5,74	1	0,025	14
	68,7	-	95,2	106,81	116,6	2,7	2,46	3,28	2	0,6	61	68	99	118	3	5,74	2	0,03	13
	68,7	-	95,2	106,81	116,6	2,7	2,46	3,28	2	0,6	61	-	99	118	3	5,74	2	0,03	13
	75,4	105	-	125,22	139,7	3,1	2,82	4,06	2,1	0,6	64	-	116	141	3,5	6,88	2	0,035	12
55	66,3	-	81,5	86,79	96,5	2,7	2,46	2,87	1,1	0,6	61	-	84	98	3	5,33	1	0,025	15
	69	-	89,4	96,8	106,5	2,7	2,46	3,28	1,5	0,6	64	69	91	108	3	5,74	1,5	0,025	14
	69	-	89,4	96,8	106,5	2,7	2,46	3,28	1,5	0,6	64	-	91	108	3	5,74	1,5	0,025	14
	75,3	-	104	115,21	129,7	3,1	2,82	4,06	2	0,6	66	75	109	131	3,5	6,88	2	0,03	13
	75,3	-	104	115,21	129,7	3,1	2,82	4,06	2	0,6	66	-	109	131	3,5	6,88	2	0,03	13
	81,5	114	-	135,23	149,7	3,1	2,82	4,9	2,1	0,6	69	-	126	151	3,5	7,72	2	0,035	12
60	71,3	-	86,5	91,82	101,6	2,7	2,46	2,87	1,1	0,6	66	-	89	103	3	5,33	1	0,025	16
	75,5	-	98	106,81	116,6	2,7	2,46	3,28	1,5	0,6	69	75	101	118	3	5,74	1,5	0,025	14
	75,5	-	98	106,81	116,6	2,7	2,46	3,28	1,5	0,6	69	-	101	118	3	5,74	1,5	0,025	14
	81,8	-	113	125,22	139,7	3,1	2,82	4,06	2,1	0,6	72	81	118	141	3,5	6,88	2	0,03	13
	81,8	-	113	125,22	139,7	3,1	2,82	4,06	2,1	0,6	72	-	118	141	3,5	6,88	2	0,03	13
	88,1	122	-	145,24	159,7	3,1	2,82	4,9	2,1	0,6	74	-	136	162	3,5	7,72	2	0,035	12
65	76,3	-	91,5	96,8	106,5	2,7	2,46	2,87	1,1	0,6	71	-	94	108	3	5,33	1	0,025	16
	83,3	-	106	115,21	129,7	3,1	2,82	4,06	1,5	0,6	74	83	111	131	3,5	6,88	1,5	0,025	15
	83,3	-	106	115,21	129,7	3,1	2,82	4,06	1,5	0,6	74	-	111	131	3,5	6,88	1,5	0,025	15
	88,3	-	122	135,23	149,7	3,1	2,82	4,9	2,1	0,6	77	88	128	151	3,5	7,72	2	0,03	13
	88,3	-	122	135,23	149,7	3,1	2,82	4,9	2,1	0,6	77	-	128	151	3,5	7,72	2	0,03	13
	94	131	-	155,22	169,7	3,1	2,82	4,9	2,1	0,6	79	-	146	172	3,5	7,72	2	0,035	12

1.3 Single row deep groove ball bearings with a snap ring groove d 70 – 120 mm

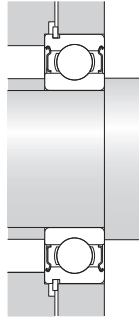
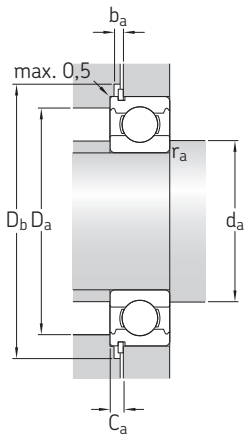
1.3



Principal dimensions			Basic load ratings		Fatigue load limit	Speed ratings		Mass	Designations Bearings ¹⁾	Snap ring	
d	D	B	C	C ₀		Reference speed	Limiting speed ¹⁾				
mm			kN		kN	r/min	kg	–			
70	110	20	39,7	31	1,32	13 000	8 000	0,63	6014 N	6014 NR	SP 110
	125	24	63,7	45	1,9	11 000	5 600	1,15	6214-ZNR	6214-2ZNR	SP 125
	125	24	63,7	45	1,9	11 000	7 000	1,15	6214 N	6214 NR	SP 125
150	150	35	111	68	2,75	9 500	5 000	2,65	6314-ZNR	6314-2ZNR	SP 150
	150	35	111	68	2,75	9 500	6 300	2,6	6314 N	6314 NR	SP 150
75	115	20	41,6	33,5	1,43	12 000	7 500	0,67	6015 N	6015 NR	SP 115
	130	25	68,9	49	2,04	10 000	6 700	1,25	6215 N	6215 NR	SP 130
	160	37	119	76,5	3	9 000	5 600	3,05	6315 N	6315 NR	SP 160
80	125	22	49,4	40	1,66	11 000	7 000	0,92	6016 N	6016 NR	SP 125
	140	26	72,8	55	2,2	9 500	6 000	1,5	6216 N	6216 NR	SP 140
85	130	22	52	43	1,76	11 000	6 700	0,94	6017 N	6017 NR	SP 130
	150	28	87,1	64	2,5	9 000	5 600	1,85	6217 N	6217 NR	SP 150
90	140	24	60,5	50	1,96	10 000	6 300	1,2	6018 N	6018 NR	SP 140
	160	30	101	73,5	2,8	8 500	5 300	2,25	6218 N	6218 NR	SP 160
95	170	32	114	81,5	3	8 000	5 000	2,7	6219 N	6219 NR	SP 170
100	150	24	63,7	54	2,04	9 500	5 600	1,3	6020 N	6020 NR	SP 150
	180	34	127	93	3,35	7 500	4 800	3,25	6220 N	6220 NR	SP 180
105	160	26	76,1	65,5	2,4	8 500	5 300	1,65	6021 N	6021 NR	SP 160
110	170	28	85,2	73,5	2,6	8 000	5 000	2,05	6022 N	6022 NR	SP 170
120	180	28	88,4	80	2,75	7 500	4 800	2,2	6024 N	6024 NR	SP 180

SKF Explorer bearing

¹⁾ For bearings with one shield (ZNR) the limiting speeds of the open bearings are valid.

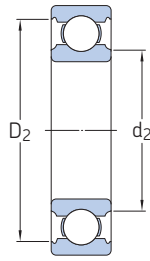
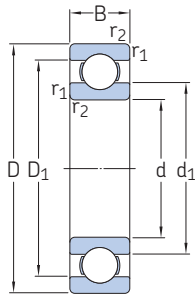


Dimensions										Abutment and fillet dimensions								Calculation factors	
d	d ₁	D ₁	D ₂	D ₃	D ₄	b	f	C	r _{1,2} min.	r ₀ max.	d _a min.	d _a max.	D _a max.	D _b min.	b _a min.	C _a max.	r _a max.	k _r	f ₀
mm										mm								-	
70	82,8	-	99,9	106,81	116,6	2,7	2,46	2,87	1,1	0,6	76	-	104	118	3	5,33	1	0,025	16
	87	-	111	120,22	134,7	3,1	2,82	4,06	1,5	0,6	79	87	116	136	3,5	6,88	1,5	0,025	15
	87	-	111	120,22	134,7	3,1	2,82	4,06	1,5	0,6	79	-	116	136	3,5	6,88	1,5	0,025	15
	94,9	-	130	145,25	159,7	3,1	2,82	4,9	2,1	0,6	82	94	138	162	3,5	7,72	2	0,03	13
	94,9	-	130	145,25	159,7	3,1	2,82	4,9	2,1	0,6	82	-	138	162	3,5	7,72	2	0,03	13
75	87,8	-	105	111,81	121,6	2,7	2,46	2,87	1,1	0,6	81	-	109	123	3	5,33	1	0,025	16
	92	-	117	125,22	139,7	3,1	2,82	4,06	1,5	0,6	84	-	121	141	3,5	6,88	1,5	0,025	15
	101	-	139	155,22	169,7	3,1	2,82	4,9	2,1	0,6	87	-	148	172	3,5	7,72	2	0,03	13
80	94,4	-	115	120,22	134,7	3,1	2,82	2,87	1,1	0,6	86	-	119	136	3,5	5,69	1	0,025	16
	101	-	127	135,23	149,7	3,1	2,82	4,9	2	0,6	91	-	129	151	3,5	7,72	2	0,025	15
85	99,4	-	120	125,22	139,7	3,1	2,82	2,87	1,1	0,6	92	-	123	141	3,5	5,69	1	0,025	16
	106	-	135	145,24	159,7	3,1	2,82	4,9	2	0,6	96	-	139	162	3,5	7,72	2	0,025	15
90	105	-	129	135,23	149,7	3,1	2,82	3,71	1,5	0,6	97	-	133	151	3,5	6,53	1,5	0,025	16
	112	-	143	155,22	169,7	3,1	2,82	4,9	2	0,6	101	-	149	172	3,5	7,72	2	0,025	15
95	118	-	152	163,65	182,9	3,5	3,1	5,69	2,1	0,6	107	-	158	185	4	8,79	2	0,025	14
100	115	-	139	145,24	159,7	3,1	2,82	3,71	1,5	0,6	107	-	143	162	3,5	6,53	1,5	0,025	16
	124	-	160	173,66	192,9	3,5	3,1	5,69	2,1	0,6	112	-	168	195	4	8,79	2	0,025	14
105	122	-	147	155,22	169,7	3,1	2,82	3,71	2	0,6	116	-	149	172	3,5	6,53	2	0,025	16
110	129	-	156	163,65	182,9	3,5	3,1	3,71	2	0,6	119	-	161	185	4	6,81	2	0,025	16
120	139	-	166	173,66	192,9	3,5	3,1	3,71	2	0,6	129	-	171	195	4	6,81	2	0,025	16

1.4 Stainless steel deep groove ball bearings

d 1 – 5 mm

1.4



2Z



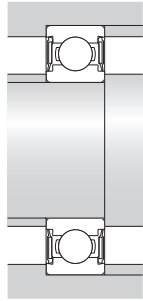
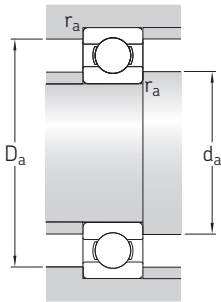
2Z



2RS1

Principal dimensions			Basic load ratings		Fatigue load limit	Speed ratings		Mass	Designation
d	D	B	C	C ₀	P _u	Reference speed	Limiting speed		
mm			kN		kN	r/min		g	–
1	3	1	0,052	0,012	0,001	240 000	150 000	0,03	W 618/1
1,5	4	1,2	0,062	0,016	0,001	220 000	140 000	0,1	W 618/1.5
	4	2	0,062	0,016	0,001	220 000	110 000	0,1	W 638/1.5-2Z
2	5	1,5	0,094	0,025	0,001	200 000	120 000	0,1	W 618/2
	5	2,3	0,094	0,025	0,001	200 000	100 000	0,2	▶ W 638/2-2Z
	6	3	0,19	0,051	0,002	180 000	90 000	0,31	W 639/2-2Z
2,5	6	2,6	0,117	0,036	0,002	170 000	85 000	0,31	▶ W 638/2.5-2Z
3	6	3	0,117	0,036	0,002	170 000	85 000	0,31	▶ W 637/3-2Z
	7	2	0,178	0,057	0,002	160 000	100 000	0,3	W 618/3
	7	3	0,178	0,057	0,002	160 000	80 000	0,41	▶ W 638/3-2Z
4	8	3	0,225	0,072	0,003	150 000	75 000	0,61	▶ W 619/3-2Z
	8	4	0,319	0,09	0,004	150 000	75 000	0,82	▶ W 639/3-2Z
	10	4	0,358	0,11	0,005	–	40 000	1,5	W 623-2RS1
	10	4	0,358	0,11	0,005	140 000	70 000	1,6	▶ W 623-2Z
4	7	2,5	0,143	0,053	0,002	150 000	75 000	0,31	W 627/4-2Z
	9	2,5	0,364	0,114	0,005	140 000	85 000	0,6	▶ W 618/4
	9	4	0,364	0,114	0,005	140 000	70 000	0,93	▶ W 638/4-2Z
4	11	4	0,54	0,176	0,008	130 000	63 000	1,65	▶ W 619/4-2Z
	12	4	0,54	0,176	0,008	–	36 000	2,15	W 604-2RS1
	12	4	0,54	0,176	0,008	130 000	63 000	2,15	▶ W 604-2Z
4	12	4	0,54	0,176	0,008	130 000	80 000	2	W 604
	13	5	0,741	0,25	0,011	–	32 000	3,05	▶ W 624-2RS1
	13	5	0,741	0,25	0,011	110 000	56 000	2,95	▶ W 624-2Z
4	16	5	0,761	0,265	0,011	–	30 000	5,15	W 634-2RS1
	16	5	0,761	0,265	0,011	100 000	50 000	5,15	W 634-2Z
5	8	2,5	0,121	0,045	0,002	140 000	70 000	0,41	W 627/5-2Z
	11	3	0,403	0,143	0,006	120 000	75 000	1,2	W 618/5
	11	4	0,403	0,143	0,006	120 000	60 000	1,55	W 628/5-2Z
5	11	5	0,403	0,143	0,006	120 000	60 000	1,85	▶ W 638/5-2Z
	13	4	0,761	0,335	0,014	–	32 000	2,35	▶ W 619/5-2RS1
	13	4	0,761	0,335	0,014	110 000	56 000	2,35	▶ W 619/5-2Z
5	13	4	0,761	0,335	0,014	110 000	70 000	2,1	W 619/5
	14	5	0,761	0,26	0,011	–	30 000	3,45	W 605-2RS1
5	14	5	0,761	0,26	0,011	110 000	53 000	3,35	W 605-2Z

▶ Popular item

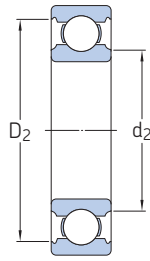
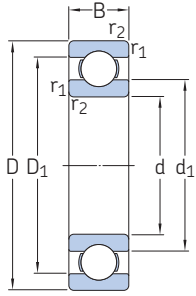


Dimensions			Abutment and fillet dimensions							Calculation factors	
d	d ₁ ≈	d ₂ ≈	D ₁ ≈	D ₂ ≈	r _{1,2} min.	d _a min.	d _a max.	D _a max.	r _a max.	k _r	f ₀
mm						mm				–	
1	1,5	–	2,5	–	0,05	1,4	–	2,6	0,05	0,02	5,6
1,5	2,1	–	3,1	–	0,05	2	–	3,6	0,05	0,02	6,4
	2,1	–	–	3,5	0,05	1,9	2,1	3,6	0,05	0,02	6,4
2	2,7	–	3,9	–	0,08	2,5	–	4,4	0,08	0,02	6,5
	2,7	–	–	4,4	0,08	2,5	2,6	4,5	0,08	0,02	6,5
	3	–	–	5,4	0,15	2,9	2,9	5,4	0,15	0,025	6
2,5	3,7	–	–	5,4	0,08	3,1	3,6	5,5	0,08	0,02	7,1
3	–	3,7	–	5,4	0,1	3,6	3,6	5,5	0,1	0,02	7,1
	4,2	–	5,8	–	0,1	3,8	–	6,2	0,1	0,02	7,1
	–	3,8	–	6,4	0,1	3,7	3,8	6,5	0,1	0,02	7,1
4	5	–	–	7,4	0,1	3,8	4,9	7,5	0,1	0,025	7,2
	4,3	–	–	7,3	0,15	3,9	4,3	7,3	0,15	0,025	6,1
	–	4,3	–	8	0,15	3,9	4,3	8,8	0,15	0,03	6,3
	–	4,3	–	8	0,15	3,9	4,3	8,8	0,15	0,03	6,3
4	4,8	–	–	6,5	0,1	4,6	4,7	6,5	0,1	0,015	7,6
	5,2	–	7,5	–	0,1	4,8	–	8,2	0,1	0,02	6,5
	5,2	–	–	8,1	0,1	4,8	5,1	8,2	0,1	0,02	6,5
	–	5,6	–	9,9	0,15	5,2	5,5	10	0,15	0,025	6,4
	–	5,6	–	9,9	0,2	5,3	5,5	10,4	0,2	0,03	6,4
	–	5,6	–	9,9	0,2	5,3	5,5	10,4	0,2	0,03	6,4
	–	5,6	–	9,9	0,2	5,3	–	10,4	0,2	0,03	6,4
	–	6	–	11,4	0,2	5,6	5,9	11,5	0,2	0,03	6,4
	–	6	–	11,4	0,2	5,6	5,9	11,5	0,2	0,03	6,4
	–	6,7	–	13	0,3	6	6,6	14	0,3	0,035	6,8
	–	6,7	–	13	0,3	6	6,6	14	0,3	0,035	6,8
	5	5,8	–	–	7,5	0,1	5,6	5,7	7,5	0,1	0,015
6,8		–	9,2	–	0,15	6,2	–	9,8	0,15	0,02	7,1
6,8		–	–	9,9	0,15	6,2	6,7	10	0,15	0,02	7,1
–		6,2	–	9,9	0,15	5,9	6,1	10	0,15	0,02	7,1
–		6,6	–	11,2	0,2	6,3	6,5	11,4	0,2	0,025	11
–		6,6	–	11,2	0,2	6,3	6,5	11,4	0,2	0,025	11
–		6,6	–	11,2	0,2	6,3	–	11,4	0,2	0,025	11
–		6,9	–	12,2	0,2	6,6	6,8	12,4	0,2	0,03	6,6
–		6,9	–	12,2	0,2	6,6	6,8	12,4	0,2	0,03	6,6

1.4 Stainless steel deep groove ball bearings

d 5 – 8 mm

1.4



2Z



2Z



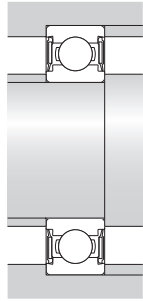
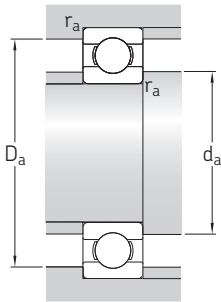
2ZS



2RS1

Principal dimensions			Basic load ratings		Fatigue load limit	Speed ratings		Mass	Designation
d	D	B	dynamic	static		Reference speed	Limiting speed		
mm			C	C ₀	P _u	r/min	g	–	
5	16	5	1,43	0,63	0,027	–	28 000	4,85	▶ W 625-2RS1 ▶ W 625-2Z W 625
	cont.	16	5	1,43	0,63	0,027	100 000	50 000	
	16	5	1,43	0,63	0,027	100 000	63 000	4,4	
6	10	3	0,286	0,112	0,005	120 000	60 000	0,72	W 627/6-2Z
	13	3,5	0,618	0,224	0,01	110 000	67 000	1,8	▶ W 618/6
	13	5	0,618	0,224	0,01	–	30 000	2,55	W 628/6-2RS1
	13	5	0,618	0,224	0,01	110 000	53 000	2,55	▶ W 628/6-2Z
	15	5	0,761	0,265	0,011	100 000	50 000	3,85	▶ W 619/6-2Z
	15	5	0,761	0,265	0,011	100 000	63 000	3,5	W 619/6
	17	6	1,95	0,83	0,036	–	26 000	5,8	W 606-2RS1
	17	6	1,95	0,83	0,036	95 000	48 000	6	▶ W 606-2Z
	19	6	1,53	0,585	0,025	–	24 000	7,65	▶ W 626-2RS1
	19	6	1,53	0,585	0,025	85 000	43 000	7,75	▶ W 626-2Z
	19	6	1,53	0,585	0,025	85 000	56 000	7,1	▶ W 626
	7	11	3	0,26	0,104	0,004	110 000	56 000	0,72
14		3,5	0,663	0,26	0,011	100 000	63 000	2	W 618/7
14		5	0,663	0,26	0,011	100 000	50 000	2,75	W 628/7-2Z
17		5	0,923	0,365	0,016	90 000	45 000	5,1	W 619/7-2Z
17		5	0,923	0,365	0,016	90 000	56 000	4,8	W 619/7
19		6	1,53	0,585	0,025	–	24 000	7,25	▶ W 607-2RS1
19		6	1,53	0,585	0,025	85 000	43 000	7,35	W 607-2Z
19		6	1,53	0,585	0,025	85 000	56 000	6,7	W 607
22		7	1,99	0,78	0,034	–	22 000	12,5	W 627-2RS1
22		7	1,99	0,78	0,034	75 000	38 000	12,5	W 627-2Z
22		7	1,99	0,78	0,034	75 000	48 000	11,5	W 627
8		12	3,5	0,312	0,14	0,006	100 000	53 000	1,05
	16	4	0,715	0,3	0,012	90 000	56 000	3,1	▶ W 618/8
	16	5	0,715	0,3	0,012	–	26 000	3,85	▶ W 628/8-2RS1
	16	5	0,715	0,3	0,012	90 000	45 000	3,75	▶ W 628/8-2Z
	16	6	0,715	0,3	0,012	90 000	45 000	4,6	▶ W 638/8-2Z
	19	6	1,25	0,455	0,02	–	24 000	6,65	▶ W 619/8-2RS1
	19	6	1,25	0,455	0,02	85 000	43 000	6,75	▶ W 619/8-2Z
	19	6	1,25	0,455	0,02	85 000	53 000	6,1	W 619/8
	22	7	1,99	0,78	0,034	–	22 000	11,5	▶ W 608-2RS1

▶ Popular item

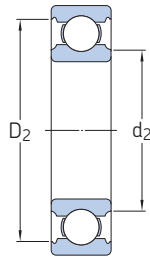
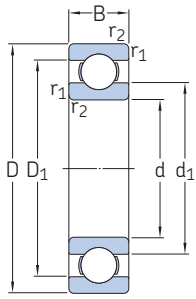


Dimensions						Abutment and fillet dimensions				Calculation factors	
d	d ₁ ≈	d ₂ ≈	D ₁ ≈	D ₂ ≈	r _{1,2} min.	d _a min.	d _a max.	D _a max.	r _a max.	k _r	f ₀
mm						mm				–	
5 cont.	–	7,5	–	13,4	0,3	7	7,4	14	0,3	0,03	12
	–	7,5	–	13,4	0,3	7	7,4	14	0,3	0,03	12
	–	7,5	–	13,4	0,3	7	–	14	0,3	0,03	12
6	7	–	–	9,4	0,1	6,8	6,9	9,5	0,1	0,015	7,8
	8	–	11	–	0,15	7,2	–	11,8	0,15	0,02	7
	–	7,4	–	11,7	0,15	7,2	7,3	11,8	0,15	0,02	7
	–	7,4	–	11,7	0,15	7,2	7,3	11,8	0,15	0,02	7
	–	7,5	–	13	0,2	7,3	7,4	13,4	0,2	0,025	6,8
	–	7,5	–	13	0,2	7,3	–	13,4	0,2	0,025	6,8
	–	8,2	–	14,8	0,3	7,7	8,1	15	0,3	0,03	11
	–	8,2	–	14,8	0,3	7,7	8,1	15	0,3	0,03	11
	–	8,5	–	16,5	0,3	8	8,4	17	0,3	0,03	7,9
	–	8,5	–	16,5	0,3	8	8,4	17	0,3	0,03	7,9
	–	8,5	–	16,5	0,3	8	–	17	0,3	0,03	7,9
	7	8	–	–	10,3	0,15	7,9	7,9	10,3	0,15	0,015
9		–	12	–	0,15	8,2	–	12,8	0,15	0,02	7,2
–		8,5	–	12,7	0,15	8,2	8,4	12,8	0,15	0,02	7,2
–		9,2	–	14,3	0,3	8,7	9,1	15	0,3	0,025	7,3
–		9,2	–	14,3	0,3	8,7	–	15	0,3	0,025	7,3
–		9	–	16,5	0,3	8,7	8,9	17	0,3	0,03	7,9
–		9	–	16,5	0,3	8,7	8,9	17	0,3	0,03	7,9
–		9	–	16,5	0,3	8,7	–	17	0,3	0,03	7,9
–		10,5	–	19,1	0,3	9	10,4	20	0,3	0,03	7,2
–		10,5	–	19,1	0,3	9	10,4	20	0,3	0,03	7,2
–		10,5	–	19,1	0,3	9	–	20	0,3	0,03	7,2
8		9	–	–	11,4	0,1	8,6	8,9	11,5	0,1	0,02
	10,5	–	13,5	–	0,2	9,6	–	14,4	0,2	0,02	7,5
	–	9,6	–	14,2	0,2	9,5	9,6	14,4	0,2	0,02	7,5
	–	9,6	–	14,2	0,2	9,5	9,6	14,4	0,2	0,02	7,5
	–	9,6	–	14,2	0,2	9,5	9,6	14,4	0,2	0,02	7,5
	–	9,8	–	16,7	0,3	9,7	9,7	17	0,3	0,025	6,6
	–	9,8	–	16,7	0,3	9,7	9,7	17	0,3	0,025	6,6
	–	9,8	–	16,7	0,3	9,7	–	17	0,3	0,025	6,6
	–	9,8	–	16,7	0,3	9,7	–	17	0,3	0,025	6,6
	–	10,5	–	19,1	0,3	10	10,4	20	0,3	0,03	7,2
	–	10,5	–	19,1	0,3	10	10,4	20	0,3	0,03	7,2

1.4 Stainless steel deep groove ball bearings

d 8 – 12 mm

1.4



2Z



2Z



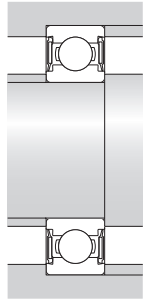
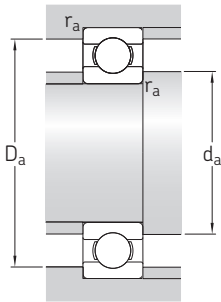
2RS1



2RS1

Principal dimensions			Basic load ratings		Fatigue load limit	Speed ratings		Mass	Designation	
d	D	B	dynamic	static		Reference speed	Limiting speed			
mm			C	C ₀	P _u	r/min	g	–		
8 cont.	22	7	1,99	0,78	0,034	75 000	38 000	11,5	▶ W 608-2Z	
	22	7	1,99	0,78	0,034	75 000	48 000	11	▶ W 608	
	24	8	2,47	1,12	0,048	70 000	36 000	17,5	W 628-2Z	
9	17	4	0,761	0,335	0,014	85 000	53 000	3,4	W 618/9	
	17	5	0,761	0,335	0,014	–	24 000	4,2	W 628/9-2RS1	
	17	5	0,761	0,335	0,014	85 000	43 000	4,2	W 628/9-2Z	
	20	6	1,95	0,93	0,045	80 000	40 000	7,65	▶ W 619/9-2Z	
	20	6	1,95	0,93	0,045	80 000	50 000	7	W 619/9	
	24	7	2,03	0,815	0,036	–	20 000	14	▶ W 609-2RS1	
	24	7	2,03	0,815	0,036	70 000	36 000	14	W 609-2Z	
	24	7	2,03	0,815	0,036	70 000	43 000	13	W 609	
	26	8	3,97	1,96	0,083	–	19 000	19	W 629-2RS1	
	26	8	3,97	1,96	0,083	67 000	32 000	19	W 629-2Z	
	10	19	5	1,48	0,83	0,036	–	22 000	5,2	▶ W 61800-2RS1
		19	5	1,48	0,83	0,036	80 000	38 000	5,1	▶ W 61800-2Z
19		5	1,48	0,83	0,036	80 000	48 000	4,8	W 61800	
19		7	1,48	0,83	0,036	80 000	38 000	7,1	▶ W 63800-2Z	
22		6	2,34	1,25	0,054	–	20 000	9,3	▶ W 61900-2RS1	
22		6	2,34	1,25	0,054	70 000	36 000	9,4	▶ W 61900-2Z	
22		6	2,34	1,25	0,054	70 000	45 000	8,7	W 61900	
26		8	3,97	1,96	0,083	–	19 000	18,5	▶ W 6000-2RS1	
26		8	3,97	1,96	0,083	67 000	32 000	18,5	▶ W 6000-2Z	
26		8	3,97	1,96	0,083	67 000	40 000	17	▶ W 6000	
30		9	4,36	2,32	0,1	–	16 000	30	▶ W 6200-2RS1	
30		9	4,36	2,32	0,1	60 000	30 000	30,5	▶ W 6200-2Z	
30		9	4,36	2,32	0,1	60 000	36 000	28,5	W 6200	
35		11	7,02	3,4	0,146	–	15 000	52,5	▶ W 6300-2RS1	
35		11	7,02	3,4	0,146	53 000	26 000	53	W 6300-2Z	
35	11	7,02	3,4	0,146	53 000	34 000	49,5	W 6300		
12	21	5	1,51	0,9	0,039	–	20 000	6	▶ W 61801-2RS1	
	21	5	1,51	0,9	0,039	70 000	36 000	5,7	W 61801-2Z	
	24	6	2,51	1,46	0,062	–	19 000	10,5	▶ W 61901-2RS1	
	24	6	2,51	1,46	0,062	67 000	32 000	11	▶ W 61901-2Z	
	24	6	2,51	1,46	0,062	67 000	40 000	9,8	W 61901	
	28	8	4,42	2,36	0,102	–	16 000	20	▶ W 6001-2RS1	

▶ Popular item

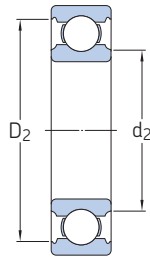
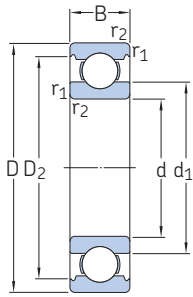


Dimensions						Abutment and fillet dimensions				Calculation factors	
d	d ₁ ≈	d ₂ ≈	D ₁ ≈	D ₂ ≈	r _{1,2} min.	d _a min.	d _a max.	D _a max.	r _a max.	k _r	f ₀
mm						mm				–	
8 cont.	–	10,5	–	19,1	0,3	10	10,4	20	0,3	0,03	7,2
	–	10,5	–	19,1	0,3	10	–	20	0,3	0,03	7,2
	–	11,9	–	19,9	0,3	10	11,8	22	0,3	0,03	10
9	11,5	–	14,5	–	0,2	10,6	–	15,4	0,2	0,02	7,7
	–	10,7	–	15,2	0,2	10,3	10,6	15,4	0,2	0,02	7,7
	–	10,7	–	15,2	0,2	10,3	10,6	15,4	0,2	0,02	7,7
	11,6	–	–	17,5	0,3	11	11,1	18	0,3	0,025	12
	11,6	–	–	17,5	0,3	11	–	18	0,3	0,025	12
	–	12,1	–	20,5	0,3	11	12	22	0,3	0,03	7,5
	–	12,1	–	20,5	0,3	11	12	22	0,3	0,03	7,5
	–	12,1	–	20,5	0,3	11	–	22	0,3	0,03	7,5
	–	13,9	–	22,4	0,6	13	13,8	22,6	0,6	0,03	12
	–	13,9	–	22,4	0,6	13	13,8	22,6	0,6	0,03	12
10	–	11,8	–	17,2	0,3	11,5	11,5	17,5	0,3	0,02	15
	–	11,8	–	17,2	0,3	11,5	11,5	17,5	0,3	0,02	15
	–	11,8	–	17,2	0,3	11,5	–	17,5	0,3	0,02	15
	–	11,8	–	17,2	0,3	11,5	11,5	17,5	0,3	0,02	15
	–	13,2	–	19,4	0,3	12	13	20	0,3	0,025	14
	–	13,2	–	19,4	0,3	12	13	20	0,3	0,025	14
	–	13,2	–	19,4	0,3	12	–	20	0,3	0,025	14
	–	13,9	–	22,4	0,3	12	13,5	24	0,3	0,03	12
	–	13,9	–	22,4	0,3	12	13,5	24	0,3	0,03	12
	–	13,9	–	22,4	0,3	12	–	24	0,3	0,03	12
	–	15,3	–	25,3	0,6	14	15	26	0,6	0,03	13
	–	15,3	–	25,3	0,6	14	15	26	0,6	0,03	13
	–	15,3	–	25,3	0,6	14	–	26	0,6	0,03	13
	17,7	–	–	29,3	0,6	14	17,5	31	0,6	0,035	11
	17,7	–	–	29,3	0,6	14	17,5	31	0,6	0,035	11
17,7	–	–	29,3	0,6	14	–	31	0,6	0,035	11	
12	–	13,8	–	19,2	0,3	13,5	13,5	19,5	0,3	0,02	13
	–	13,8	–	19,2	0,3	13,5	13,5	19,5	0,3	0,02	13
	–	15,3	–	21,4	0,3	14	15	22	0,3	0,025	15
	–	15,3	–	21,4	0,3	14	15	22	0,3	0,025	15
	–	15,3	–	21,4	0,3	14	–	22	0,3	0,025	15
	–	16	–	25,2	0,3	14	15,5	26	0,3	0,03	13
	–	16	–	25,2	0,3	14	15,5	26	0,3	0,03	13

1.4 Stainless steel deep groove ball bearings

d 12 – 17 mm

1.4



2Z



2Z



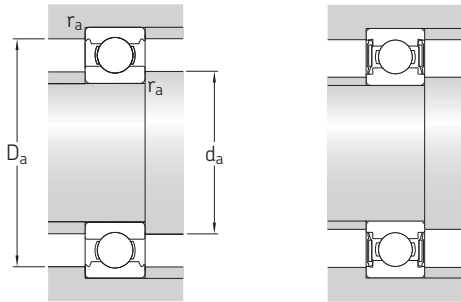
2RS1



2RS1

Principal dimensions			Basic load ratings		Fatigue load limit	Speed ratings		Mass	Designation	
d	D	B	dynamic	static		Reference speed	Limiting speed			
mm			C	C ₀	P _u	r/min	g	–		
12 cont.	28	8	4,42	2,36	0,102	60 000	30 000	20	▶ W 6001-2Z	
	28	8	4,42	2,36	0,102	60 000	36 000	18	▶ W 6001	
	32	10	5,72	3	0,127	–	15 000	36	▶ W 6201-2RS1	
	32	10	5,72	3	0,127	53 000	28 000	36	▶ W 6201-2Z	
	32	10	5,72	3	0,127	53 000	34 000	33,5	▶ W 6201	
	37	12	8,32	4,15	0,176	–	14 000	58,5	▶ W 6301-2RS1	
	37	12	8,32	4,15	0,176	48 000	24 000	59,5	▶ W 6301-2Z	
	37	12	8,32	4,15	0,176	48 000	30 000	55,5	▶ W 6301	
	15	24	5	1,65	1,08	0,048	–	17 000	7,1	▶ W 61802-2RS1
		24	5	1,65	1,08	0,048	60 000	30 000	6,7	▶ W 61802-2Z
28		7	3,71	2,24	0,095	–	16 000	15,5	▶ W 61902-2RS1	
28		7	3,71	2,24	0,095	56 000	28 000	16	▶ W 61902-2Z	
28		7	3,71	2,24	0,095	56 000	34 000	14,5	▶ W 61902	
32		9	4,88	2,8	0,12	–	14 000	28,5	▶ W 6002-2RS1	
32		9	4,88	2,8	0,12	50 000	26 000	29	▶ W 6002-2Z	
32		9	4,88	2,8	0,12	50 000	32 000	26,5	▶ W 6002	
35		11	6,37	3,6	0,156	–	13 000	44	▶ W 6202-2RS1	
35		11	6,37	3,6	0,156	48 000	24 000	44	▶ W 6202-2Z	
35		11	6,37	3,6	0,156	48 000	30 000	41,5	▶ W 6202	
42		13	9,95	5,4	0,232	–	11 000	81	▶ W 6302-2RS1	
42		13	9,95	5,4	0,232	40 000	20 000	82	▶ W 6302-2Z	
42		13	9,95	5,4	0,232	40 000	26 000	77	▶ W 6302	
17	26	5	1,78	1,27	0,054	–	16 000	8	▶ W 61803-2RS1	
	26	5	1,78	1,27	0,054	56 000	28 000	7,6	▶ W 61803-2Z	
	30	7	3,97	2,55	0,108	–	14 000	16,5	▶ W 61903-2RS1	
	30	7	3,97	2,55	0,108	50 000	24 000	17	▶ W 61903-2Z	
	30	7	3,97	2,55	0,108	50 000	32 000	15,5	▶ W 61903	
	35	10	4,94	3,15	0,137	–	13 000	38	▶ W 6003-2RS1	
	35	10	4,94	3,15	0,137	45 000	22 000	38,5	▶ W 6003-2Z	
	35	10	4,94	3,15	0,137	45 000	28 000	36	▶ W 6003	
	40	12	8,06	4,75	0,2	–	12 000	64,5	▶ W 6203-2RS1	
	40	12	8,06	4,75	0,2	40 000	20 000	65,5	▶ W 6203-2Z	
	40	12	8,06	4,75	0,2	40 000	26 000	61,5	▶ W 6203	
	47	14	11,7	6,55	0,28	–	10 000	112	▶ W 6303-2RS1	
	47	14	11,7	6,55	0,28	36 000	18 000	113	▶ W 6303-2Z	
	47	14	11,7	6,55	0,28	36 000	22 000	107	▶ W 6303	

▶ Popular item

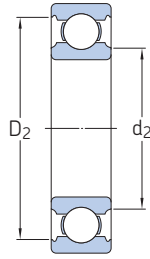
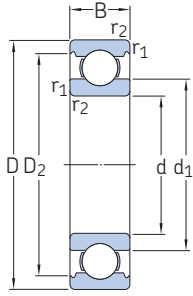


Dimensions						Abutment and fillet dimensions				Calculation factors	
d	d ₁ ≈	d ₂ ≈	D ₁ ≈	D ₂ ≈	r _{1,2} min.	d _a min.	d _a max.	D _a max.	r _a max.	k _r	f ₀
mm						mm				–	
12 cont.	–	16	–	25,2	0,3	14	15,5	26	0,3	0,03	13
	–	16	–	25,2	0,3	14	–	26	0,3	0,03	13
	18,5	–	–	28	0,6	16	18	28,5	0,6	0,03	12
	18,5	–	–	28	0,6	16	18	28,5	0,6	0,03	12
	18,5	–	–	28	0,6	16	–	28,5	0,6	0,03	12
	19,3	–	–	32	1	17	19	32,5	1	0,035	11
	19,3	–	–	32	1	17	19	32,5	1	0,035	11
	19,3	–	–	32	1	17	–	32,5	1	0,035	11
	19,3	–	–	32	1	17	–	32,5	1	0,035	11
	19,3	–	–	32	1	17	–	32,5	1	0,035	11
15	–	16,8	–	22,2	0,3	16,5	16,5	22,5	0,3	0,02	14
	–	16,8	–	22,2	0,3	16,5	16,5	22,5	0,3	0,02	14
	18,8	–	–	25,3	0,3	17	18,5	26	0,3	0,025	14
	18,8	–	–	25,3	0,3	17	18,5	26	0,3	0,025	14
	18,8	–	–	25,3	0,3	17	–	26	0,3	0,025	14
	–	18,6	–	29,1	0,3	17	18,5	30	0,3	0,03	14
	–	18,6	–	29,1	0,3	17	–	30	0,3	0,03	14
	21,7	–	–	31,4	0,6	19	21,5	32	0,6	0,03	13
	21,7	–	–	31,4	0,6	19	21,5	32	0,6	0,03	13
	21,7	–	–	31,4	0,6	19	–	32	0,6	0,03	13
	24,5	–	–	36,8	1	20	24	37,5	1	0,035	12
	24,5	–	–	36,8	1	20	24	37,5	1	0,035	12
	24,5	–	–	36,8	1	20	–	37,5	1	0,035	12
	24,5	–	–	36,8	1	20	–	37,5	1	0,035	12
17	–	18,8	–	24,2	0,3	18,5	18,5	24,5	0,3	0,02	14
	–	18,8	–	24,2	0,3	18,5	18,5	24,5	0,3	0,02	14
	21	–	–	27,8	0,3	19	20,5	28,5	0,3	0,025	15
	21	–	–	27,8	0,3	19	20,5	28,5	0,3	0,025	15
	21	–	–	27,8	0,3	19	–	28,5	0,3	0,025	15
	23,5	–	–	31,9	0,3	19	23	33	0,3	0,03	14
	23,5	–	–	31,9	0,3	19	23	33	0,3	0,03	14
	23,5	–	–	31,9	0,3	19	–	33	0,3	0,03	14
	24,9	–	–	35,8	0,6	21	24,5	37,5	0,6	0,03	13
	24,9	–	–	35,8	0,6	21	24,5	37,5	0,6	0,03	13
	24,9	–	–	35,8	0,6	21	–	37,5	0,6	0,03	13
	27,5	–	–	41,1	1	22	27	42	1	0,035	12
	27,5	–	–	41,1	1	22	27	42	1	0,035	12
	27,5	–	–	41,1	1	22	–	42	1	0,035	12
	27,5	–	–	41,1	1	22	–	42	1	0,035	12

1.4 Stainless steel deep groove ball bearings

d 20 – 30 mm

1.4



2Z



2Z



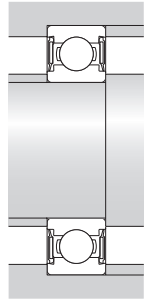
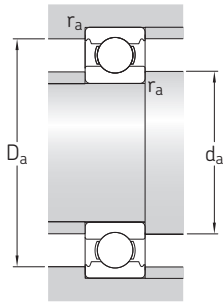
2RS1



2RS1

Principal dimensions			Basic load ratings		Fatigue load limit	Speed ratings		Mass	Designation	
d	D	B	dynamic C	static C ₀		Reference speed	Limiting speed			
mm			kN		kN	r/min	g	–		
20	32	7	3,12	2,08	0,09	–	13 000	17	▶ W 61804-2RS1	
	32	7	3,12	2,08	0,09	48 000	24 000	17	▶ W 61804-2Z	
	37	9	5,53	3,65	0,156	–	12 000	35,5	▶ W 61904-2RS1	
	37	9	5,53	3,65	0,156	43 000	26 000	32,5	W 61904	
	42	12	8,06	5	0,212	–	11 000	64,5	▶ W 6004-2RS1	
	42	12	8,06	5	0,212	38 000	19 000	64,5	▶ W 6004-2Z	
	42	12	8,06	5	0,212	38 000	24 000	60,5	W 6004	
	47	14	10,8	6,55	0,28	–	10 000	105	▶ W 6204-2RS1	
	47	14	10,8	6,55	0,28	34 000	17 000	106	▶ W 6204-2Z	
	47	14	10,8	6,55	0,28	34 000	22 000	100	W 6204	
	52	15	13,8	7,8	0,335	–	9 500	143	▶ W 6304-2RS1	
	52	15	13,8	7,8	0,335	34 000	17 000	144	W 6304-2Z	
	52	15	13,8	7,8	0,335	34 000	20 000	136	W 6304	
	25	37	7	3,38	2,5	0,108	–	11 000	21	▶ W 61805-2RS1
37		7	3,38	2,5	0,108	38 000	19 000	21	W 61805-2Z	
42		9	6,05	4,5	0,193	–	10 000	39,5	▶ W 61905-2RS1	
47		12	8,71	5,85	0,25	–	9 500	76,5	▶ W 6005-2RS1	
47		12	8,71	5,85	0,25	32 000	16 000	77,5	▶ W 6005-2Z	
47		12	8,71	5,85	0,25	32 000	20 000	71,5	W 6005	
52		15	11,7	7,65	0,335	–	8 500	128	▶ W 6205-2RS1	
52		15	11,7	7,65	0,335	30 000	15 000	130	▶ W 6205-2Z	
52		15	11,7	7,65	0,335	30 000	19 000	122	▶ W 6205	
62		17	17,8	11,2	0,48	–	7 500	234	▶ W 6305-2RS1	
62		17	17,8	11,2	0,48	26 000	13 000	235	W 6305-2Z	
62		17	17,8	11,2	0,48	26 000	17 000	224	W 6305	
30		42	7	3,58	2,9	0,125	–	9 500	24	W 61806-2RS1
		47	9	6,24	5	0,212	–	8 500	47	▶ W 61906-2RS1
	47	9	6,24	5	0,212	30 000	19 000	43,5	W 61906	
	55	13	11,4	8,15	0,355	–	8 000	112	▶ W 6006-2RS1	
	55	13	11,4	8,15	0,355	28 000	14 000	113	▶ W 6006-2Z	
	55	13	11,4	8,15	0,355	28 000	17 000	105	W 6006	
	62	16	16,5	11,2	0,48	–	7 000	196	▶ W 6206-2RS1	
	62	16	16,5	11,2	0,48	26 000	13 000	196	▶ W 6206-2Z	
	62	16	16,5	11,2	0,48	26 000	16 000	186	W 6206	

▶ Popular item

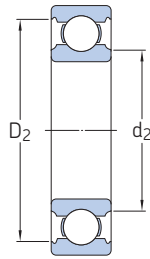
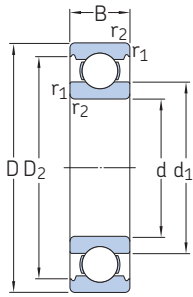


Dimensions						Abutment and fillet dimensions				Calculation factors		
d	d ₁ ≈	d ₂ ≈	D ₁ ≈	D ₂ ≈	r _{1,2} min.	d _a min.	d _a max.	D _a max.	r _a max.	k _r	f ₀	
mm						mm				–		
20	–	22,6	–	29,6	0,3	22	22,5	30,5	0,3	0,02	13	
	–	22,6	–	29,6	0,3	22	22,5	30,5	0,3	0,02	13	
	–	23,6	–	33,5	0,3	22	23,5	35	0,3	0,025	15	
	–	23,6	–	33,5	0,3	22	–	35	0,3	0,025	15	
	27,6	–	–	38,8	0,6	24	27,5	39,5	0,6	0,03	14	
	27,6	–	–	38,8	0,6	24	27,5	39,5	0,6	0,03	14	
	27,6	–	–	38,8	0,6	24	–	39,5	0,6	0,03	14	
	29,5	–	–	41	1	25	29	42	1	0,03	13	
	29,5	–	–	41	1	25	29	42	1	0,03	13	
	29,5	–	–	41	1	25	–	42	1	0,03	13	
	30	–	–	45,4	1,1	26,5	29,5	46	1	0,035	12	
	30	–	–	45,4	1,1	26,5	29,5	46	1	0,035	12	
	30	–	–	45,4	1,1	26,5	–	46	1	0,035	12	
	25	28,2	–	–	34,2	0,3	27	28	35	0,3	0,02	14
		28,2	–	–	34,2	0,3	27	28	35	0,3	0,02	14
30,9		–	–	39,5	0,3	27	30,5	40,5	0,3	0,025	15	
31,7		–	–	42,8	0,6	29	31,5	44,5	0,6	0,03	15	
31,7		–	–	42,8	0,6	29	31,5	44,5	0,6	0,03	15	
31,7		–	–	42,8	0,6	29	–	44,5	0,6	0,03	15	
34		–	–	45,8	1	30	33,5	47	1	0,03	14	
34		–	–	45,8	1	30	33,5	47	1	0,03	14	
34		–	–	45,8	1	30	–	47	1	0,03	14	
38,1		–	–	53,3	1,1	31,5	38	55	1	0,035	13	
38,1		–	–	53,3	1,1	31,5	38	55	1	0,035	13	
38,1		–	–	53,3	1,1	31,5	–	55	1	0,035	13	
30		33,1	–	–	39,2	0,3	32	33	40	0,3	0,02	14
		35,1	–	–	44,1	0,3	32	35	45	0,3	0,025	16
		35,1	–	–	44,1	0,3	32	–	45	0,3	0,025	16
	38	–	–	50	1	35	37,5	50	1	0,03	15	
	38	–	–	50	1	35	37,5	50	1	0,03	15	
	38	–	–	50	1	35	–	50	1	0,03	15	
	40,7	–	–	55,2	1	35	40,5	57	1	0,03	14	
	40,7	–	–	55,2	1	35	40,5	57	1	0,03	14	
	40,7	–	–	55,2	1	35	–	57	1	0,03	14	

1.4 Stainless steel deep groove ball bearings

d 30 – 50 mm

1.4



2Z



2Z



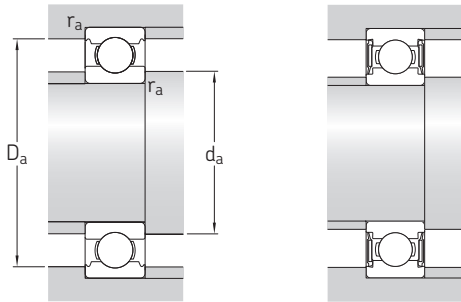
2RS1



2RS1

Principal dimensions			Basic load ratings		Fatigue load limit	Speed ratings		Mass	Designation
d	D	B	dynamic C	static C ₀		Reference speed	Limiting speed		
mm			kN		kN	r/min	g	–	
30 cont.	72	19	22,9	15	0,64	–	6 300	346	▶ W 6306-2RS1
	72	19	22,9	15	0,64	22 000	11 000	345	▶ W 6306-2Z
	72	19	22,9	15	0,64	22 000	14 000	331	▶ W 6306
35	47	7	3,71	3,35	0,14	–	8 500	29,5	▶ W 61807-2RS1
	55	10	9,36	7,65	0,325	–	7 500	73,5	▶ W 61907-2RS1
	62	14	13,8	10,2	0,44	–	6 700	147	▶ W 6007-2RS1
	62	14	13,8	10,2	0,44	24 000	12 000	148	▶ W 6007-2Z
	62	14	13,8	10,2	0,44	24 000	15 000	138	▶ W 6007
	72	17	22,1	15,3	0,655	–	6 000	276	▶ W 6207-2RS1
	72	17	22,1	15,3	0,655	22 000	11 000	277	▶ W 6207-2Z
	72	17	22,1	15,3	0,655	22 000	14 000	262	▶ W 6207
	80	21	28,6	19	0,815	–	5 600	441	▶ W 6307-2RS1
	40	62	12	11,9	9,8	0,425	–	6 700	107
68		15	14,6	11,4	0,49	–	6 300	182	▶ W 6008-2RS1
68		15	14,6	11,4	0,49	22 000	11 000	183	▶ W 6008-2Z
68		15	14,6	11,4	0,49	22 000	14 000	172	▶ W 6008
80		18	25,1	17,6	0,75	–	5 600	359	▶ W 6208-2RS1
80		18	25,1	17,6	0,75	20 000	10 000	359	▶ W 6208-2Z
80		18	25,1	17,6	0,75	20 000	12 000	342	▶ W 6208
45		68	12	12,1	10,8	0,465	–	6 000	125
	75	16	18,2	15	0,64	–	5 600	236	▶ W 6009-2RS1
	75	16	18,2	15	0,64	20 000	10 000	237	▶ W 6009-2Z
	85	19	28,1	20,4	0,865	–	5 000	395	▶ W 6209-2RS1
	85	19	28,1	20,4	0,865	18 000	9 000	394	▶ W 6209-2Z
	50	65	7	5,07	5,5	0,236	–	6 000	51
80		16	19	16,6	0,71	–	5 000	256	▶ W 6010-2RS1
80		16	19	16,6	0,71	18 000	9 000	256	▶ W 6010-2Z
90		20	30,2	23,2	0,98	–	4 800	449	▶ W 6210-2RS1
90		20	30,2	23,2	0,98	17 000	8 500	453	▶ W 6210-2Z

▶ Popular item

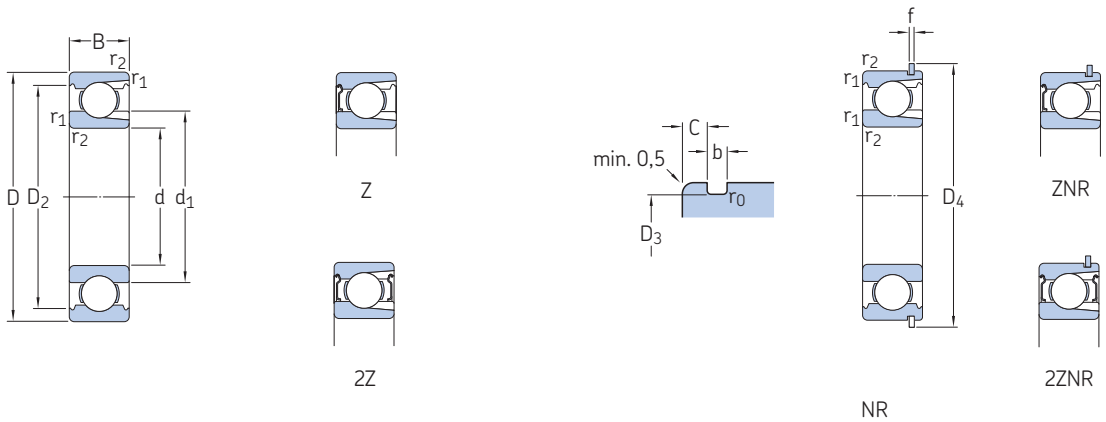


Dimensions						Abutment and fillet dimensions				Calculation factors	
d	d ₁ ≈	d ₂ ≈	D ₁ ≈	D ₂ ≈	r _{1,2} min.	d _a min.	d _a max.	D _a max.	r _a max.	k _r	f ₀
mm						mm				–	
30 cont.	44,9	–	–	62,4	1,1	36,5	44,5	65	1	0,035	13
	44,9	–	–	62,4	1,1	36,5	44,5	65	1	0,035	13
	44,9	–	–	62,4	1,1	36,5	–	65	1	0,035	13
35	38,2	–	–	43,7	0,3	37	38	45	0,3	0,02	14
	42,2	–	–	52,2	0,6	39	42	52	0,6	0,025	16
	44	–	–	57,1	1	40	43,5	57	1	0,03	15
	44	–	–	57,1	1	40	43,5	57	1	0,03	15
	44	–	–	57,1	1	40	–	57	1	0,03	15
	47,6	–	–	64,9	1,1	41,5	46,5	65	1	0,03	14
	47,6	–	–	64,9	1,1	41,5	46,5	65	1	0,03	14
	47,6	–	–	64,9	1,1	41,5	–	65	1	0,03	14
	–	46,7	–	71,6	1,5	43	46,5	73	1,5	0,035	13
	–	–	–	–	–	–	–	–	–	–	–
40	46,9	–	–	57,6	0,6	44	46,5	59	0,6	0,025	16
	49,2	–	–	62,5	1	45	49	63	1	0,03	15
	49,2	–	–	62,5	1	45	49	63	1	0,03	15
	49,2	–	–	62,5	1	45	–	63	1	0,03	15
	–	50,1	–	70,8	1,1	46,5	50	73	1	0,03	14
	–	50,1	–	70,8	1,1	46,5	50	73	1	0,03	14
	–	50,1	–	70,8	1,1	46,5	–	73	1	0,03	14
45	–	50,3	–	63,2	0,6	49	52	64	0,6	0,025	16
	54,5	–	–	69	1	50	54	70	1	0,03	15
	54,5	–	–	69	1	50	54	70	1	0,03	15
	–	53,5	–	76,4	1,1	52	53	78	1	0,03	14
	–	53,5	–	76,4	1,1	52	53	78	1	0,03	14
50	54,6	–	–	61,6	0,3	52	54	63	0,3	0,02	15
	60	–	–	74,6	1	55	59	75	1	0,03	16
	60	–	–	74,6	1	55	59	75	1	0,03	16
	–	60	–	82,2	1,1	55	59	83	1	0,03	14
	–	60	–	82,2	1,1	55	59	83	1	0,03	14

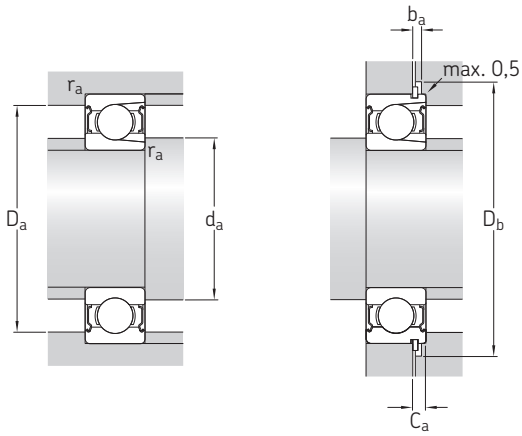
1.5 Single row deep groove ball bearings with filling slots

d 25 – 50 mm

1.5



Principal dimensions			Basic load ratings		Fatigue load limit	Speed ratings		Mass	Designations		Snap ring
d	D	B	dynamic	static		Reference speed	Limiting speed		Bearing without a snap ring	with a snap ring	
mm			kN		kN	r/min		kg	-		
25	62	17	22,9	15,6	0,67	20 000	13 000	0,24	305	305 NR	SP 62
	62	17	22,9	15,6	0,67	20 000	13 000	0,24	305-Z	305-ZNR	SP 62
	62	17	22,9	15,6	0,67	20 000	10 400	0,24	305-2Z	305-2ZNR	SP 62
30	62	16	20,9	16,3	0,695	20 000	12 000	0,21	206	206 NR	SP 62
	62	16	20,9	16,3	0,695	20 000	12 000	0,21	206-Z	206-ZNR	SP 62
	62	16	20,9	16,3	0,695	20 000	9 600	0,21	206-2Z	206-2ZNR	SP 62
35	72	19	29,7	21,6	0,93	18 000	11 000	0,37	306	306 NR	SP 72
	72	19	29,7	21,6	0,93	18 000	11 000	0,37	306-Z	306-ZNR	SP 72
	72	19	29,7	21,6	0,93	18 000	8 800	0,37	306-2Z	306-2ZNR	SP 72
35	72	17	27,5	22	0,93	17 000	10 000	0,31	207	207 NR	SP 72
	72	17	27,5	22	0,93	17 000	10 000	0,31	207-Z	207-ZNR	SP 72
	72	17	27,5	22	0,93	17 000	8 000	0,31	207-2Z	207-2ZNR	SP 72
40	80	21	34,7	26,5	1,12	16 000	9 500	0,48	307	307 NR	SP 80
	80	21	34,7	26,5	1,12	16 000	9 500	0,48	307-Z	307-ZNR	SP 80
	80	21	34,7	26,5	1,12	16 000	7 600	0,48	307-2Z	307-2ZNR	SP 80
40	80	18	33,6	27	1,16	15 000	9 500	0,39	208	208 NR	SP 80
	80	18	33,6	27	1,16	15 000	9 500	0,39	208-Z	208-ZNR	SP 80
	80	18	33,6	27	1,16	15 000	7 600	0,39	208-2Z	208-2ZNR	SP 80
45	90	23	45,7	36	1,53	14 000	8 500	0,64	308	308 NR	SP 90
	90	23	45,7	36	1,53	14 000	8 500	0,64	308-Z	308-ZNR	SP 90
	90	23	45,7	36	1,53	14 000	6 800	0,64	308-2Z	308-2ZNR	SP 90
45	85	19	35,2	30	1,27	14 000	8 500	0,44	209	209 NR	SP 85
	85	19	35,2	30	1,27	14 000	8 500	0,44	209-Z	209-ZNR	SP 85
	85	19	35,2	30	1,27	14 000	6 800	0,44	209-2Z	209-2ZNR	SP 85
50	100	25	55	44	1,86	13 000	7 500	0,88	309	309 NR	SP 100
	100	25	55	44	1,86	13 000	7 500	0,88	309-Z	309-ZNR	SP 100
	100	25	55	44	1,86	13 000	6 000	0,88	309-2Z	309-2ZNR	SP 100
50	90	20	39,1	34,5	1,46	13 000	8 000	0,5	210	210 NR	SP 90
	90	20	39,1	34,5	1,46	13 000	8 000	0,5	210-Z	210-ZNR	SP 90
	90	20	39,1	34,5	1,46	13 000	6 400	0,5	210-2Z	210-2ZNR	SP 90
50	110	27	64,4	52	2,2	11 000	7 000	1,15	310	310 NR	SP 110
	110	27	64,4	52	2,2	11 000	7 000	1,15	310-Z	310-ZNR	SP 110
	110	27	64,4	52	2,2	11 000	5 600	1,15	310-2Z	310-2ZNR	SP 110

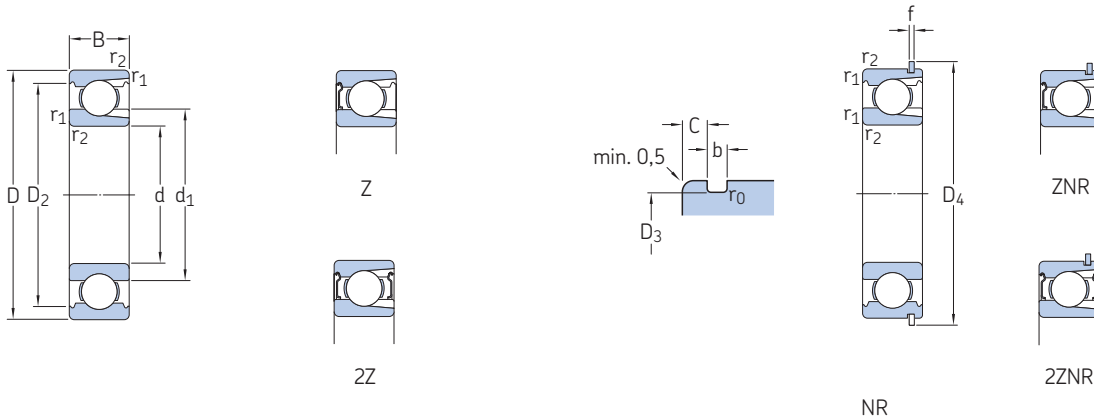


Dimensions										Abutment and fillet dimensions							Minimum load factor
d	d ₁ ≈	D ₂ ≈	D ₃	D ₄	b	f	C	r _{1,2} min.	r ₀ max.	d _a min.	d _a max.	D _a max.	D _b min.	b _a min.	C _a max.	r _a max.	k _r
mm										mm							-
25	36,6	52,7	59,61	67,7	1,9	1,7	3,28	1,1	0,6	32	-	55	69	2,2	4,98	1	0,05
	36,6	52,7	59,61	67,7	1,9	1,7	3,28	1,1	0,6	32	32,7	55	69	2,2	4,98	1	0,05
	36,6	52,7	59,61	67,7	1,9	1,7	3,28	1,1	0,6	32	32,7	55	69	2,2	4,98	1	0,05
30	40,3	54,06	59,61	67,7	1,9	1,7	3,28	1	0,6	35,6	-	56	69	2,2	4,98	1	0,04
	40,3	54,06	59,61	67,7	1,9	1,7	3,28	1	0,6	35,6	40,2	56	69	2,2	4,98	1	0,04
	40,3	54,06	59,61	67,7	1,9	1,7	3,28	1	0,6	35,6	40,2	56	69	2,2	4,98	1	0,04
	44,6	61,88	68,81	78,6	1,9	1,7	3,28	1,1	0,6	37	-	65	80	2,2	4,98	1	0,05
	44,6	61,88	68,81	78,6	1,9	1,7	3,28	1,1	0,6	37	44,5	65	80	2,2	4,98	1	0,05
	44,6	61,88	68,81	78,6	1,9	1,7	3,28	1,1	0,6	37	44,5	65	80	2,2	4,98	1	0,05
35	46,9	62,69	68,81	78,6	1,9	1,7	3,28	1,1	0,6	42	-	65	80	2,2	4,98	1	0,04
	46,9	62,69	68,81	78,6	1,9	1,7	3,28	1,1	0,6	42	46,8	65	80	2,2	4,98	1	0,04
	46,9	62,69	68,81	78,6	1,9	1,7	3,28	1,1	0,6	42	46,8	65	80	2,2	4,98	1	0,04
	49,5	69,2	76,81	86,6	1,9	1,7	3,28	1,5	0,6	44	-	71	88	2,2	4,98	1,5	0,05
	49,5	69,2	76,81	86,6	1,9	1,7	3,28	1,5	0,6	44	49,4	71	88	2,2	4,98	1,5	0,05
	49,5	69,2	76,81	86,6	1,9	1,7	3,28	1,5	0,6	44	49,4	71	88	2,2	4,98	1,5	0,05
40	52,6	69,8	76,81	86,6	1,9	1,7	3,28	1,1	0,6	47	-	73	88	2,2	4,98	1	0,04
	52,6	69,8	76,81	86,6	1,9	1,7	3,28	1,1	0,6	47	52	73	88	2,2	4,98	1	0,04
	52,6	69,8	76,81	86,6	1,9	1,7	3,28	1,1	0,6	47	52	73	88	2,2	4,98	1	0,04
	56,1	77,7	86,79	96,5	2,7	2,46	3,28	1,5	0,6	49	-	81	98	3	5,74	1,5	0,05
	56,1	77,7	86,79	96,5	2,7	2,46	3,28	1,5	0,6	49	56	81	98	3	5,74	1,5	0,05
	56,1	77,7	86,79	96,5	2,7	2,46	3,28	1,5	0,6	49	56	81	98	3	5,74	1,5	0,05
45	57,6	75,19	81,81	91,6	1,9	1,7	3,28	1,1	0,6	52	-	78	93	2,2	4,98	1	0,04
	57,6	75,19	81,81	91,6	1,9	1,7	3,28	1,1	0,6	52	57	78	93	2,2	4,98	1	0,04
	57,6	75,19	81,81	91,6	1,9	1,7	3,28	1,1	0,6	52	57	78	93	2,2	4,98	1	0,04
	62,1	86,7	96,8	106,5	2,7	2,46	3,28	1,5	0,6	54	-	91	108	3	5,74	1,5	0,05
	62,1	86,7	96,8	106,5	2,7	2,46	3,28	1,5	0,6	54	62	91	108	3	5,74	1,5	0,05
	62,1	86,7	96,8	106,5	2,7	2,46	3,28	1,5	0,6	54	62	91	108	3	5,74	1,5	0,05
50	62,5	81,61	86,79	96,5	2,7	2,46	3,28	1,1	0,6	57	-	83	98	3	5,74	1	0,04
	62,5	81,61	86,79	96,5	2,7	2,46	3,28	1,1	0,6	57	62	83	98	3	5,74	1	0,04
	62,5	81,61	86,79	96,5	2,7	2,46	3,28	1,1	0,6	57	62	83	98	3	5,74	1	0,04
	68,7	95,2	106,81	116,6	2,7	2,46	3,28	2	0,6	61	-	99	118	3	5,74	2	0,05
	68,7	95,2	106,81	116,6	2,7	2,46	3,28	2	0,6	61	68	99	118	3	5,74	2	0,05
	68,7	95,2	106,81	116,6	2,7	2,46	3,28	2	0,6	61	68	99	118	3	5,74	2	0,05

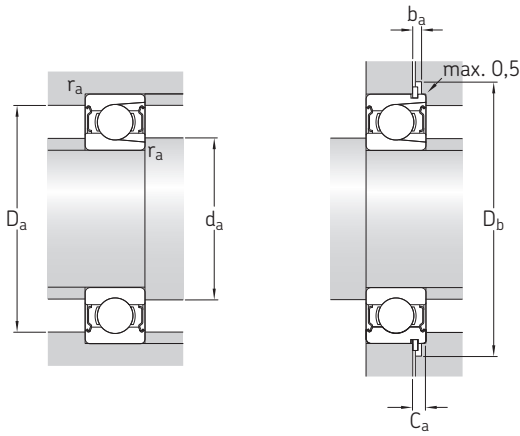
1.5 Single row deep groove ball bearings with filling slots

d 55 – 80 mm

1.5



Principal dimensions			Basic load ratings		Fatigue load limit	Speed ratings		Mass	Designations		Snap ring	
d	D	B	dynamic	static		Reference speed	Limiting speed		Bearing without a snap ring	with a snap ring		
mm			kN		kN	r/min		kg	-			
55	100	21	48,4	44	1,86	12 000	7 000	0,66	211	211 NR	SP 100	
	100	21	48,4	44	1,86	12 000	7 000	0,66	211-Z	211-ZNR	SP 100	
	100	21	48,4	44	1,86	12 000	5 600	0,66	211-2Z	211-2ZNR	SP 100	
	120	29	79,2	67	2,85	10 000	6 300	1,5	311	311 NR	SP 120	
	120	29	79,2	67	2,85	10 000	6 300	1,5	311-Z	311-ZNR	SP 120	
	120	29	79,2	67	2,85	10 000	5 000	1,5	311-2Z	311-2ZNR	SP 120	
	60	110	22	56,1	50	2,12	11 000	6 700	0,85	212	212 NR	SP 110
		110	22	56,1	50	2,12	11 000	6 700	0,85	212-Z	212-ZNR	SP 110
		110	22	56,1	50	2,12	11 000	5 400	0,85	212-2Z	212-2ZNR	SP 110
130		31	91,3	78	3,35	9 500	6 000	1,85	312	312 NR	SP 130	
130		31	91,3	78	3,35	9 500	6 000	1,85	312-Z	312-ZNR	SP 130	
130		31	91,3	78	3,35	9 500	4 800	1,85	312-2Z	312-2ZNR	SP 130	
65	120	23	60,5	58,5	2,5	10 000	6 000	1,05	213	213 NR	SP 120	
	120	23	60,5	58,5	2,5	10 000	6 000	1,05	213-Z	213-ZNR	SP 120	
	120	23	60,5	58,5	2,5	10 000	4 800	1,05	213-2Z	213-2ZNR	SP 120	
	140	33	102	90	3,75	9 000	5 300	2,3	313	313 NR	SP 140	
	140	33	102	90	3,75	9 000	5 300	2,3	313-Z	313-ZNR	SP 140	
	140	33	102	90	3,75	9 000	4 300	2,3	313-2Z	313-2ZNR	SP 140	
	70	125	24	66	65,5	2,75	9 500	5 600	1,15	214	214 NR	SP 125
		125	24	66	65,5	2,75	9 500	5 600	1,15	214-Z	214-ZNR	SP 125
		125	24	66	65,5	2,75	9 500	4 500	1,15	214-2Z	214-2ZNR	SP 125
150		35	114	102	4,15	8 000	5 000	2,75	314	314 NR	SP 150	
150		35	114	102	4,15	8 000	5 000	2,75	314-Z	314-ZNR	SP 150	
150		35	114	102	4,15	8 000	4 000	2,75	314-2Z	314-2ZNR	SP 150	
75		130	25	72,1	72	3	9 000	5 300	1,25	215	215 NR	SP 130
		130	25	72,1	72	3	9 000	5 300	1,25	215-Z	215-ZNR	SP 130
		130	25	72,1	72	3	9 000	4 300	1,25	215-2Z	215-2ZNR	SP 130
	160	37	125	116	4,55	7 500	4 800	3,25	315	-	-	
	160	37	125	116	4,55	7 500	4 800	3,25	315-Z	-	-	
	160	37	125	116	4,55	7 500	3 840	3,25	315-2Z	-	-	
	80	140	26	88	85	3,45	8 500	5 000	1,55	216	216 NR	SP 140
		140	26	88	85	3,45	8 500	5 000	1,55	216-Z	216-ZNR	SP 140
		140	26	88	85	3,45	8 500	4 000	1,55	216-2Z	216-2ZNR	SP 140
170		39	138	129	4,9	7 000	4 300	3,95	316	-	-	
170		39	138	129	4,9	7 000	4 300	3,95	316-Z	-	-	
170		39	138	129	4,9	7 000	3 440	3,95	316-2Z	-	-	

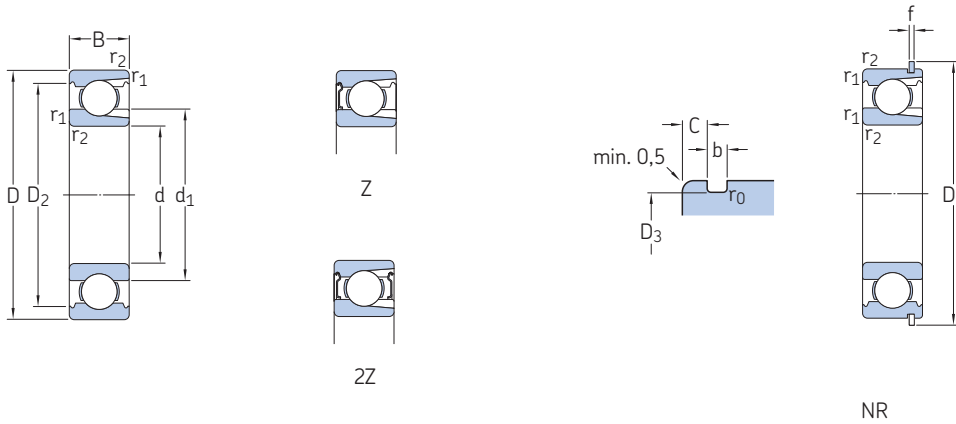


Dimensions										Abutment and fillet dimensions							Minimum load factor
d	d ₁ ≈	D ₂ ≈	D ₃	D ₄	b	f	C	r _{1,2} min.	r ₀ max.	d _a min.	d _a max.	D _a max.	D _b min.	b _a min.	C _a max.	r _a max.	k _r
mm										mm							-
55	69	89,4	96,8	106,5	2,7	2,46	3,28	1,5	0,6	64	-	91	108	3	5,74	1,5	0,04
	69	89,4	96,8	106,5	2,7	2,46	3,28	1,5	0,6	64	68	91	108	3	5,74	1,5	0,04
	69	89,4	96,8	106,5	2,7	2,46	3,28	1,5	0,6	64	68	91	108	3	5,74	1,5	0,04
	75,3	103,7	115,21	129,7	3,1	2,82	4,06	2	0,6	66	-	109	131	3,5	6,88	2	0,05
	75,3	103,7	115,21	129,7	3,1	2,82	4,06	2	0,6	66	75	109	131	3,5	6,88	2	0,05
	75,3	103,7	115,21	129,7	3,1	2,82	4,06	2	0,6	66	75	109	131	3,5	6,88	2	0,05
60	75,5	98	106,81	116,6	2,7	2,46	3,28	1,5	0,6	69	-	101	118	3	5,74	1,5	0,04
	75,5	98	106,81	116,6	2,7	2,46	3,28	1,5	0,6	69	75	101	118	3	5,74	1,5	0,04
	75,5	98	106,81	116,6	2,7	2,46	3,28	1,5	0,6	69	75	101	118	3	5,74	1,5	0,04
	81,8	112,2	125,22	139,7	3,1	2,82	4,06	2,1	0,6	72	-	118	141	3,5	6,88	2	0,05
	81,8	112,2	125,22	139,7	3,1	2,82	4,06	2,1	0,6	72	81	118	141	3,5	6,88	2	0,05
	81,8	112,2	125,22	139,7	3,1	2,82	4,06	2,1	0,6	72	81	118	141	3,5	6,88	2	0,05
65	83,3	105,8	115,21	129,7	3,1	2,82	4,06	1,5	0,6	74	-	111	131	3,5	6,88	1,5	0,04
	83,3	105,8	115,21	129,7	3,1	2,82	4,06	1,5	0,6	74	83	111	131	3,5	6,88	1,5	0,04
	83,3	105,8	115,21	129,7	3,1	2,82	4,06	1,5	0,6	74	83	111	131	3,5	6,88	1,5	0,04
	88,3	121,3	135,23	149,7	3,1	2,82	4,9	2,1	0,6	77	-	128	151	3,5	7,72	2	0,05
	88,3	121,3	135,23	149,7	3,1	2,82	4,9	2,1	0,6	77	88	128	151	3,5	7,72	2	0,05
	88,3	121,3	135,23	149,7	3,1	2,82	4,9	2,1	0,6	77	88	128	151	3,5	7,72	2	0,05
70	87	111	120,22	134,7	3,1	2,82	4,06	1,5	0,6	79	-	116	136	3,5	6,88	1,5	0,04
	87	111	120,22	134,7	3,1	2,82	4,06	1,5	0,6	79	87	116	136	3,5	6,88	1,5	0,04
	87	111	120,22	134,7	3,1	2,82	4,06	1,5	0,6	79	87	116	136	3,5	6,88	1,5	0,04
	93,7	129,9	145,24	159,7	3,1	2,82	4,9	2,1	0,6	82	-	138	162	3,5	7,72	2	0,05
	93,7	129,9	145,24	159,7	3,1	2,82	4,9	2,1	0,6	82	93	138	162	3,5	7,72	2	0,05
	93,7	129,9	145,24	159,7	3,1	2,82	4,9	2,1	0,6	82	93	138	162	3,5	7,72	2	0,05
75	92	116,5	125,22	139,7	3,1	2,82	4,06	1,5	0,6	84	-	121	141	3,5	6,88	1,5	0,04
	92	116,5	125,22	139,7	3,1	2,82	4,06	1,5	0,6	84	92	121	141	3,5	6,88	1,5	0,04
	92	116,5	125,22	139,7	3,1	2,82	4,06	1,5	0,6	84	92	121	141	3,5	6,88	1,5	0,04
	99,7	138,4	-	-	-	-	-	2,1	-	87	-	148	-	-	-	2	0,05
	99,7	138,4	-	-	-	-	-	2,1	-	87	99	148	-	-	-	2	0,05
	99,7	138,4	-	-	-	-	-	2,1	-	87	99	148	-	-	-	2	0,05
80	95,8	126,5	135,23	149,7	3,1	2,82	4,9	2	0,6	89	-	129	151	3,5	7,72	2	0,04
	95,8	126,5	135,23	149,7	3,1	2,82	4,9	2	0,6	89	88	129	151	3,5	7,72	2	0,04
	95,8	126,5	135,23	149,7	3,1	2,82	4,9	2	0,6	89	88	129	151	3,5	7,72	2	0,04
	106	146,9	-	-	-	-	-	2,1	-	92	-	158	-	-	-	2	0,05
	106	146,9	-	-	-	-	-	2,1	-	92	105	158	-	-	-	2	0,05
	106	146,9	-	-	-	-	-	2,1	-	92	105	158	-	-	-	2	0,05

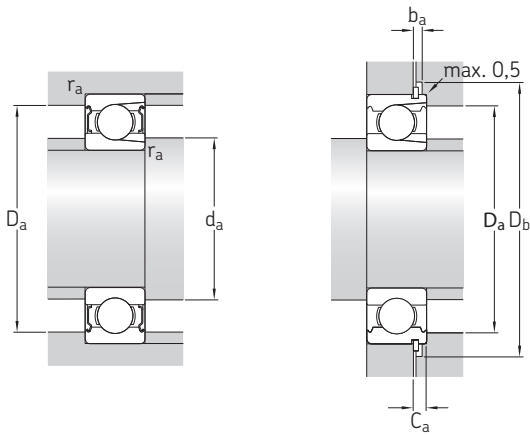
1.5 Single row deep groove ball bearings with filling slots

d 85 – 100 mm

1.5

Principal dimensions			Basic load ratings		Fatigue load limit	Speed ratings		Mass	Designations		Snap ring
d	D	B	dynamic	static		Reference speed	Limiting speed		Bearing without a snap ring	with a snap ring	
mm			kN		kN	r/min		kg	-		
85	150	28	96,8	100	3,9	7 500	4 800	1,95	217	217 NR	SP 150
	150	28	96,8	100	3,9	7 500	4 800	1,95	217-Z	-	-
	150	28	96,8	100	3,9	7 500	3 900	1,95	217-2Z	-	-
	180	41	147	146	5,3	6 700	4 000	4,6	317	-	-
	180	41	147	146	5,3	6 700	4 000	4,6	317-Z	-	-
	180	41	147	146	5,3	6 700	3 200	4,6	317-2Z	-	-
90	160	30	112	114	4,3	7 000	4 300	2,35	218	218 NR	SP 160
	160	30	112	114	4,3	7 000	4 300	2,35	218-Z	-	-
	160	30	112	114	4,3	7 000	4 300	2,35	218-2Z	-	-
	190	43	157	160	5,7	6 300	4 000	5,4	318	-	-
	190	43	157	160	5,7	6 300	4 000	5,4	318-Z	-	-
	190	43	157	160	5,7	6 300	3 200	5,4	318-2Z	-	-
95	170	32	121	122	4,5	6 700	4 000	2,7	219	219 NR	SP 170
	170	32	121	122	4,5	6 700	4 000	2,7	219-Z	-	-
	170	32	121	122	4,5	6 700	4 000	2,7	219-2Z	-	-
100	180	34	134	140	5	6 300	4 000	3,45	220	-	-
	180	34	134	140	5	6 300	4 000	3,45	220-Z	-	-
	180	34	134	140	5	6 300	4 000	3,45	220-2Z	-	-

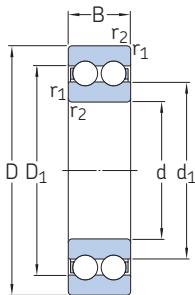


Dimensions								Abutment and fillet dimensions								Minimum load factor	
d	d ₁ ≈	D ₂ ≈	D ₃	D ₄	b	f	C	r _{1,2} min.	r ₀ max.	d _a min.	d _a max.	D _a max.	D _b min.	b _a min.	C _a max.	r _a max.	k _r
mm										mm						-	
85	104	134,3	145,24	159,7	3,1	2,82	4,9	2	0,6	96	-	139	162	3,5	7,72	2	0,04
	104	134,3	-	-	-	-	-	2	-	96	96	139	-	-	-	2	0,04
	104	134,3	-	-	-	-	-	2	-	96	96	139	-	-	-	2	0,04
	112	155,4	-	-	-	-	-	3	-	98	-	167	-	-	-	2,5	0,05
	112	155,4	-	-	-	-	-	3	-	98	112	167	-	-	-	2,5	0,05
	112	155,4	-	-	-	-	-	3	-	98	112	167	-	-	-	2,5	0,05
90	110	142,6	155,22	169,7	3,1	2,82	4,9	2	0,6	100	-	150	172	3,5	7,72	2	0,04
	110	142,6	-	-	-	-	-	2	-	100	110	150	-	-	-	2	0,04
	110	142,6	-	-	-	-	-	2	-	100	110	150	-	-	-	2	0,04
	119	163,9	-	-	-	-	-	3	-	103	-	177	-	-	-	2,5	0,05
	119	163,9	-	-	-	-	-	3	-	103	118	177	-	-	-	2,5	0,05
	119	163,9	-	-	-	-	-	3	-	103	118	177	-	-	-	2,5	0,05
95	116	151,3	163,65	182,9	3,5	3,1	5,69	2,1	0,6	107	-	158	185	4	8,79	2	0,04
	116	151,3	-	-	-	-	-	2,1	-	107	116	158	-	-	-	2	0,04
	116	151,3	-	-	-	-	-	2,1	-	107	116	158	-	-	-	2	0,04
100	123	159,9	-	-	-	-	-	2,1	-	112	-	168	-	-	-	2	0,04
	123	159,9	-	-	-	-	-	2,1	-	112	122	168	-	-	-	2	0,04
	123	159,9	-	-	-	-	-	2,1	-	112	122	168	-	-	-	2	0,04

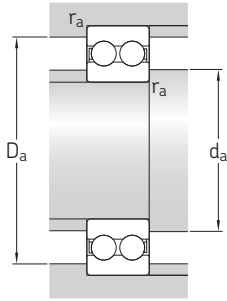
1.6 Double row deep groove ball bearings

d 10 – 75 mm

1.6



Principal dimensions			Basic load ratings		Fatigue load limit	Speed ratings		Mass	Designation
d	D	B	dynamic	static		Reference speed	Limiting speed		
			C	C ₀	P _u				
mm			kN		kN	r/min	kg		–
10	30	14	9,23	5,2	0,224	40 000	22 000	0,049	4200 ATN9
12	32	14	10,6	6,2	0,26	36 000	20 000	0,052	4201 ATN9
	37	17	13	7,8	0,325	34 000	18 000	0,092	4301 ATN9
15	35	14	11,9	7,5	0,32	32 000	17 000	0,059	4202 ATN9
	42	17	14,8	9,5	0,405	28 000	15 000	0,12	4302 ATN9
17	40	16	14,8	9,5	0,405	28 000	15 000	0,09	4203 ATN9
	47	19	19,5	13,2	0,56	24 000	13 000	0,16	4303 ATN9
20	47	18	17,8	12,5	0,53	24 000	13 000	0,14	4204 ATN9
	52	21	23,4	16	0,68	22 000	12 000	0,21	4304 ATN9
25	52	18	19	14,6	0,62	20 000	11 000	0,17	4205 ATN9
	62	24	31,9	22,4	0,95	18 000	10 000	0,34	4305 ATN9
30	62	20	26	20,8	0,88	17 000	9 500	0,29	4206 ATN9
	72	27	41	30	1,27	16 000	8 500	0,5	4306 ATN9
35	72	23	35,1	28,5	1,2	15 000	8 000	0,4	4207 ATN9
	80	31	50,7	38	1,63	14 000	7 500	0,68	4307 ATN9
40	80	23	37,1	32,5	1,37	13 000	7 000	0,5	4208 ATN9
	90	33	55,9	45	1,9	12 000	6 700	0,95	4308 ATN9
45	85	23	39	36	1,53	12 000	6 700	0,54	4209 ATN9
	100	36	68,9	56	2,4	11 000	6 000	1,25	4309 ATN9
50	90	23	41	40	1,7	11 000	6 000	0,58	4210 ATN9
	110	40	81,9	69,5	2,9	10 000	5 300	1,7	4310 ATN9
55	100	25	44,9	44	1,9	10 000	5 600	0,8	4211 ATN9
	120	43	97,5	83	3,45	9 000	5 000	2,15	4311 ATN9
60	110	28	57,2	55	2,36	9 500	5 300	1,1	4212 ATN9
	130	46	112	98	4,15	8 500	4 500	2,65	4312 ATN9
65	120	31	67,6	67	2,8	8 500	4 800	1,45	4213 ATN9
	140	48	121	106	4,5	8 000	4 300	3,25	4313 ATN9
70	125	31	70,2	73,5	3,1	8 000	4 300	1,5	4214 ATN9
75	130	31	72,8	80	3,35	7 500	4 000	1,6	4215 ATN9
	160	55	156	143	5,5	6 700	3 600	4,8	4315 ATN9

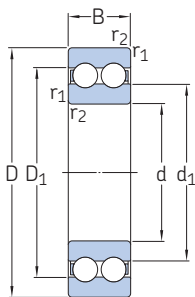


Dimensions				Abutment and fillet dimensions			Calculation factors	
d	d ₁ ≈	D ₁ ≈	r _{1,2} min.	d _a min.	D _a max.	r _a max.	k _r	f ₀
mm				mm			–	
10	16,7	23,3	0,6	14,2	25,8	0,6	0,05	12
12	18,3 20,5	25,7 28,5	0,6 1	16,2 17,6	27,8 31,4	0,6 1	0,05 0,06	12 12
15	21,5 24,5	29 32,5	0,6 1	19,2 20,6	30,8 36,4	0,6 1	0,05 0,06	13 13
17	24,3 28,7	32,7 38,3	0,6 1	21,2 22,6	35,8 41,4	0,6 1	0,05 0,06	13 13
20	29,7 31,8	38,3 42,2	1 1,1	25,6 27	41,4 45	1 1	0,05 0,06	14 13
25	34,2 37,3	42,8 49,7	1 1,1	30,6 32	46,4 55	1 1	0,05 0,06	14 13
30	40,9 43,9	51,1 58,1	1 1,1	35,6 37	56 65	1 1	0,05 0,06	14 13
35	47,5 49,5	59,5 65,4	1,1 1,5	42 44	65 71	1 1,5	0,05 0,06	14 13
40	54 56,9	66 73,1	1,1 1,5	47 49	73 81	1 1,5	0,05 0,06	15 14
45	59,5 63,5	71,5 81,5	1,1 1,5	52 54	78 91	1 1,5	0,05 0,06	15 14
50	65,5 70	77,5 90	1,1 2	57 61	83 99	1 2	0,05 0,06	15 14
55	71,2 76,5	83,8 98,5	1,5 2	64 66	91 109	1,5 2	0,05 0,06	16 14
60	75,6 83,1	90,4 107	1,5 2,1	69 72	101 118	1,5 2	0,05 0,06	15 14
65	82,9 89,6	99,1 115	1,5 2,1	74 77	111 128	1,5 2	0,05 0,06	15 14
70	89,4	106	1,5	79	116	1,5	0,05	15
75	96,9 103	114 132	1,5 2,1	84 87	121 148	1,5 2	0,05 0,06	16 14

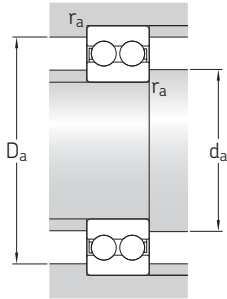
1.6 Double row deep groove ball bearings

d 80 – 90 mm

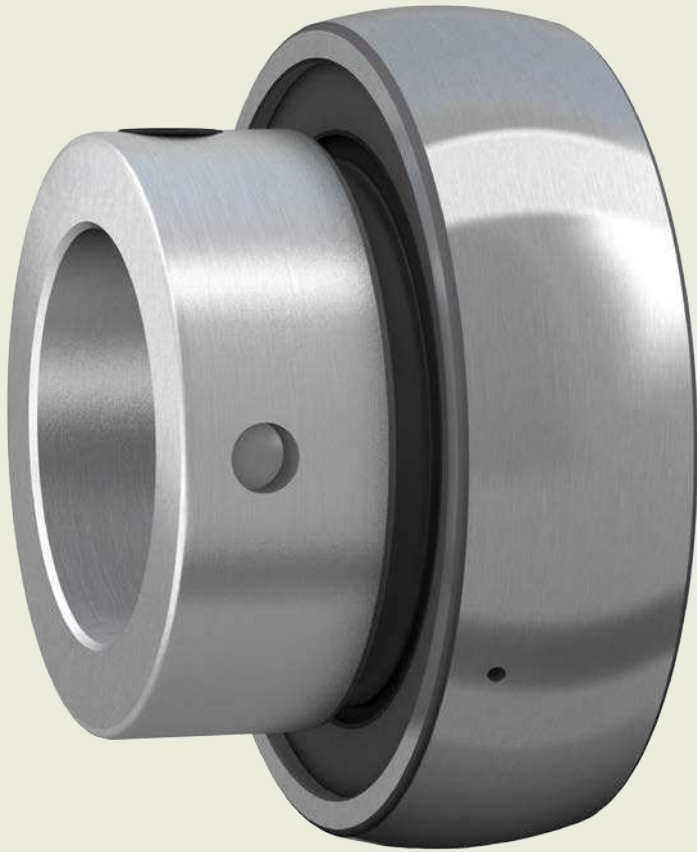
1.6



Principal dimensions			Basic load ratings		Fatigue load limit	Speed ratings		Mass	Designation
d	D	B	dynamic C	static C ₀		Reference speed	Limiting speed		
mm			kN		kN	r/min		kg	–
80	140	33	80,6	90	3,6	7 000	3 800	2	4216 ATN9
85	150	36	93,6	102	4	7 000	3 600	2,55	4217 ATN9
90	160	40	112	122	4,65	6 300	3 400	3,2	4218 ATN9



Dimensions				Abutment and fillet dimensions			Calculation factors	
d	d_1 ≈	D_1 ≈	$r_{1,2}$ min.	d_a min.	D_a max.	r_a max.	k_r	f_0
mm				mm			–	
80	102	120	2	91	129	2	0,05	16
85	105	125	2	96	139	2	0,05	15
90	114	136	2	101	149	2	0,05	15



Insert bearings (Y-bearings)



2 Insert bearings (Y-bearings)



Designs and variants	341	Mounting and dismounting	359
Insert bearings with grub screws	342	Assembling insert bearings into housings with fitting slots	362
Basic design bearings	342	SKF ConCentra insert bearings	363
Bearings with zinc-coated rings	342		
Stainless steel bearings	342	Designation system	364
Insert bearings with an eccentric locking collar	343		
SKF ConCentra insert bearings	344	Product tables	
Insert bearings with a tapered bore	344	2.1 Insert bearings with grub screws, metric shafts . . .	366
Insert bearings with a standard inner ring	345	2.2 Insert bearings with grub screws, inch shafts.	368
Sealing solutions.	345	2.3 Insert bearings with an eccentric locking collar, metric shafts	372
Standard seals	345	2.4 Insert bearings with an eccentric locking collar, inch shafts	374
Standard seals with additional flingers	345	2.5 SKF ConCentra insert bearings, metric shafts	376
Multiple seals	346	2.6 SKF ConCentra insert bearings, inch shafts	377
5-lip seals	346	2.7 Insert bearings with a tapered bore on an adapter sleeve, metric shafts	378
RS1 seals.	346	2.8 Insert bearings with a tapered bore on an adapter sleeve, inch shafts	379
Shields.	346	2.9 Insert bearings with a standard inner ring, metric shafts	380
Cages.	347		
Rubber seating rings.	347		
Lubrication	348		
Greases for capped bearings	348		
Grease life for insert bearings.	348		
Relubrication.	348		
Bearing data	350		
(Dimension standards, tolerances, radial internal clearance, permissible misalignment)			
Loads	353		
(Minimum load, axial load carrying capacity, equivalent dynamic bearing load, equivalent static bearing load)			
Temperature limits	355		
Permissible speed	355	Other insert bearings (Y-bearings)	
Design considerations	356	High temperature bearings	1005
Axial displacement	356	Bearings with Solid Oil	1023
Shaft tolerances	358	Bearings with a customized design or customized dimensions	→ contact SKF
		Ball bearing units (Y-bearing units)	→ skf.com/bearings

2 Insert bearings (Y-bearings)

2



More information

General bearing knowledge 17

Bearing selection process 59

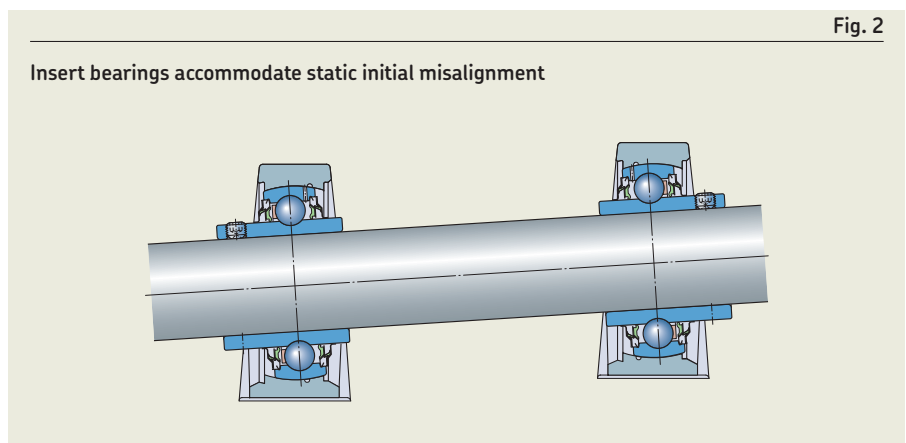
SKF bearing maintenance handbook ISBN 978-91-978966-4-1

Insert bearings (SKFY-bearings) are based on sealed deep groove ball bearings in the 62 and 63 series, but have a convex outer ring and in most cases an extended inner ring with a specific locking device (fig. 1), enabling quick and easy mounting onto the shaft.



Bearing features

- **Quick and easy to mount**
The different locking methods enable quick and easy mounting of insert bearings onto the shaft.
- **Accommodate initial misalignment**
The spherically shaped outside surface enables initial misalignment by tilting in the housing (fig. 2).
- **Long service life**
The different sealing solutions available provide a long service life for a wide variety of applications with high contamination levels.
- **Reduced noise and vibration levels**
Where high requirements on noise and vibration levels are important, SKF can provide the appropriate shaft locking method.



Typical applications

Because of their versatility and cost-effectiveness, insert bearings are typically used in the following applications:

- Agricultural machinery
- Food and beverage processing and packaging
- Conveyor systems
- Material handling systems
- Textile equipment
- Industrial fans
- Special machinery, e.g. car wash systems, gym equipment, go-karts

Ball bearing units (Y-bearing units)

SKF also supplies a wide variety of ball bearing units that are not listed in this rolling bearing catalogue. For information about ball bearing units, refer to the product information available online at skf.com/bearings.

Designs and variants

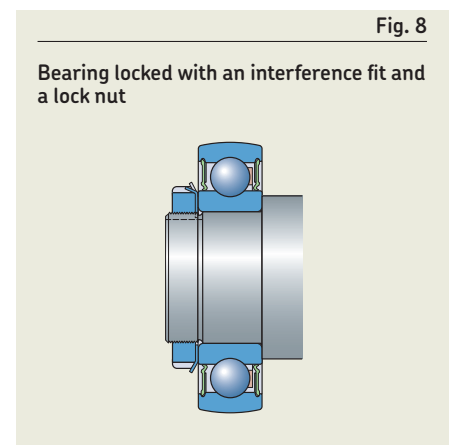
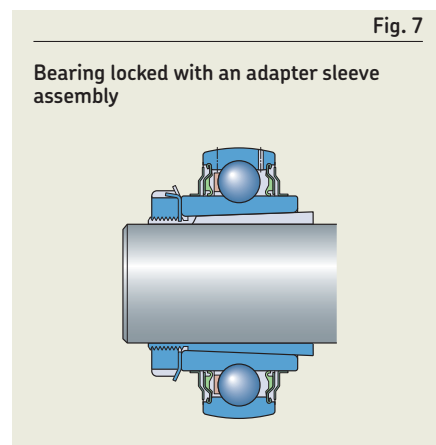
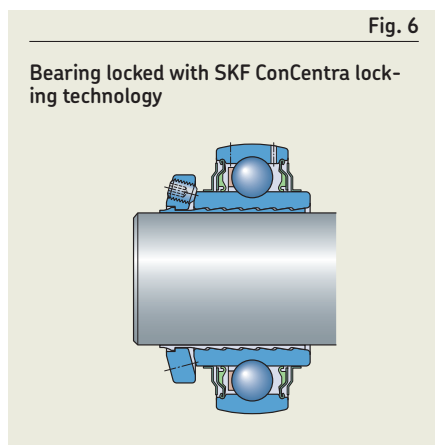
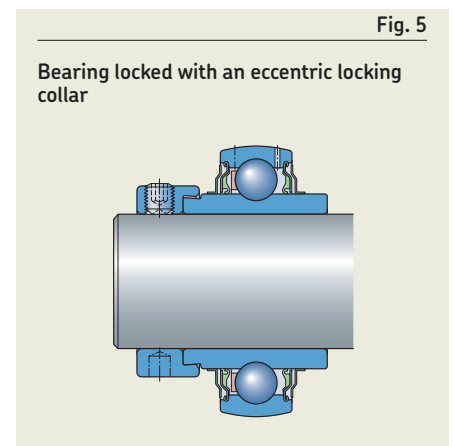
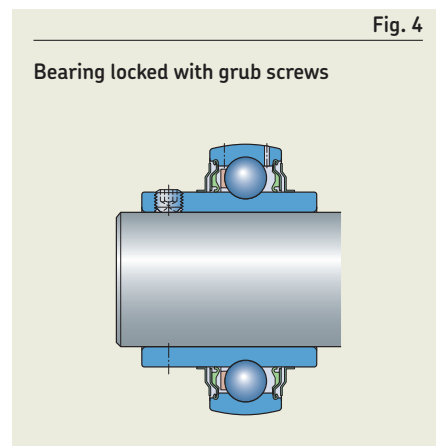
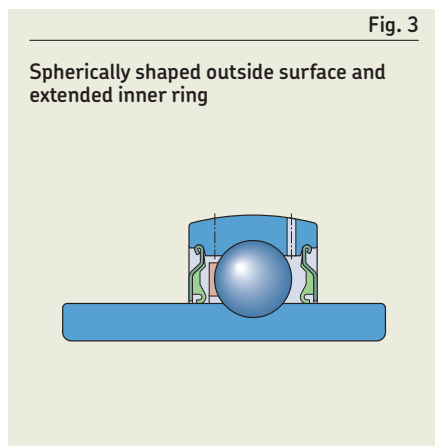
Insert bearings typically have a spherically shaped (convex) outside surface and an extended inner ring (fig. 3) with different types of locking device. The various insert bearing series differ in the way the bearing is locked onto the shaft:

- with grub (set) screws (fig. 4)
- with an eccentric locking collar (fig. 5)
- with SKF ConCentra locking technology (fig. 6)
- with an adapter sleeve (fig. 7)
- with an interference fit (fig. 8)

Insert bearings with an inner ring that is extended on both sides run more smoothly, as the extent to which the inner ring can tilt on the shaft is reduced.

The standard SKF insert bearing assortment presented in this section also includes application-specific variants, such as:

- bearings made of stainless steel or with zinc-coated rings for the food industry (*Insert bearings with grub screws*, page 342)
- bearings for agricultural applications



2 Insert bearings (Y-bearings)

Insert bearings with grub screws

- are suitable for applications for both constant and alternating directions of rotation
- are locked onto the shaft by tightening the two cup point hexagonal grub (set) screws, positioned 120° apart in the inner ring

Basic design bearings

- are available with an inner ring extended on one side (fig. 9, bearing series YAT 2)
- are available with an inner ring extended on both sides (fig. 10, bearing series YAR 2)
- are capped on both sides with:
 - a rugged standard seal (*Standard seals*, page 345) for bearing series YAT 2
 - a rugged standard seal and an additional plain sheet steel flinger (*Standard seals with additional flingers*, page 345, designation suffix 2F) or a rubberized sheet steel flinger (*Multiple seals*, page 346, designation suffix 2RF) for bearing series YAR 2
- have two lubrication holes in the outer ring as standard, one on each side, positioned 120° apart
- can be supplied without lubrication holes on request (designation suffix W)

For demanding operating conditions that occur in agricultural applications, such as combines and balers, harvesters and disk harrows, SKF has designed the YARAG 2 bearing series (fig. 11). These bearings:

- are fitted with a patented 5-lip seal (*5-lip seals*, page 346)
- are supplied without any lubrication holes in the outer ring

Bearings with zinc-coated rings

- are intended for use in corrosive environments
- are available with an inner ring extended on both sides (bearing series YAR 2..-2RF/VE495)
- have grub screws made of stainless steel
- are capped on both sides with a highly effective multiple seal (*Multiple seals*, page 346) made of food-compatible rubber with a stainless steel insert and a stainless steel flinger
- are filled with a food-grade grease
- have two lubrication holes in the outer ring, one on each side, positioned 120° apart

Stainless steel bearings

- are intended for use in corrosive environments
- are available with an inner ring extended on both sides (bearing series YAR 2..-2RF/HV)
- have all steel components made of stainless steel, including rings, balls, sheet metal parts of both seals and flingers, and grub screws
- are capped on both sides with a highly effective multiple seal (*Multiple seals*, page 346) made of food-compatible rubber with a stainless steel insert and a stainless steel flinger
- are filled with a food-grade grease
- have an annular groove with one lubrication hole in the outer ring, located on the side opposite the locking device
- have a lower dynamic load carrying capacity than same-sized bearings made of high grade carbon chromium steel

Fig. 9

Bearing in the YAT 2 series

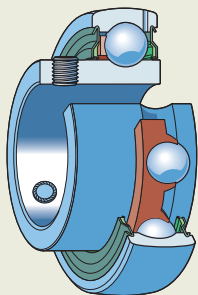


Fig. 10

Bearing in the YAR 2 series

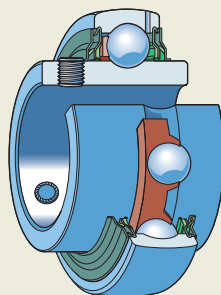
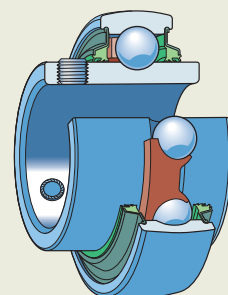


Fig. 11

Bearing in the YARAG 2 series



Insert bearings with an eccentric locking collar

- are intended for use in applications where the direction of rotation is constant
- have, on one side, an eccentric step at the extended inner ring to accommodate the locking collar, which is:
 - zinc-coated for bearings with a metric bore
 - black-oxidized for bearings with an inch bore
- are locked onto the shaft by turning the locking collar in the direction of rotation; a single grub screw further secures the collar to the shaft
- are available with an inner ring extended on one side ([fig. 12](#), bearing series YET 2)
- are available with an inner ring extended on both sides ([fig. 13](#), bearing series YEL 2)
- are capped on both sides with:
 - a rugged standard seal (*Standard seals*, [page 345](#)) for bearing series YET 2
 - a rugged standard seal and an additional plain sheet steel flinger (*Standard seals with additional flingers*, [page 345](#), designation suffix 2F) or a rubberized sheet steel flinger (*Multiple seals*, [page 346](#) designation suffix 2RF/VL065) for bearing series YEL 2
- have two lubrication holes in the outer ring as standard, one on each side, positioned 120° apart
- can be supplied without lubrication holes on request (designation suffix W)

For demanding operating conditions that occur in agricultural applications, such as combines and balers, harvesters and disk harrows, SKF has designed the YELAG 2 bearing series ([fig. 14](#)). These bearings:

- are fitted with a patented 5-lip seal (*5-lip seals*, [page 346](#))
- are supplied without any lubrication holes in the outer ring

2



Fig. 12

Bearing in the YET 2 series

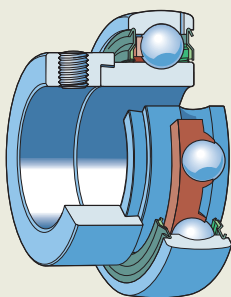


Fig. 13

Bearing in the YEL 2 series

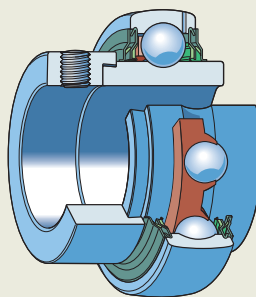
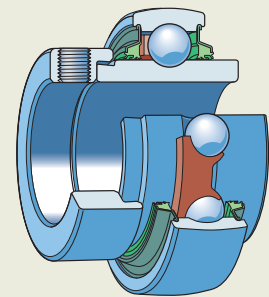


Fig. 14

Bearing in the YELAG 2 series



SKF ConCentra insert bearings

- are suitable for applications for both constant and alternating directions of rotation
- provide an easy, quick and reliable way to lock a bearing onto a shaft, even in applications where there are heavy loads and/or high speeds
- permit the full limiting speed to be achieved, even where using commercial grade shafts
- have an inner ring symmetrically extended on both sides (fig. 15, bearing series YSP 2)
- comprise the patented SKF ConCentra locking technology, which is based on the expansion and contraction of the following two mating surfaces, which have precision-engineered serrations:
 - the bearing bore
 - the external surface of the stepped sleeve
- provide a true concentric fit on the shaft, because when the grub screws in the mounting collar are tightened, the inner ring is axially displaced relative to the stepped sleeve (fig. 16), forcing the bearing inner ring to expand and the stepped sleeve to contract evenly

- provide low noise and vibration levels, and virtually eliminate fretting corrosion
- are capped on both sides with a rugged standard seal and an additional plain sheet steel flinger (*Standard seals with additional flingers*)
- have two lubrication holes in the outer ring as standard, one on each side, positioned 120° apart
- can be supplied without lubrication holes on request (designation suffix W)

For demanding operating conditions that occur in agricultural applications, such as combines and balers, harvesters and disk harrows, SKF has designed the YSPAG 2 bearing series (fig. 17). These bearings:

- are fitted with a patented 5-lip seal (*5-lip seals, page 346*)
- are supplied without any lubrication holes in the outer ring

Insert bearings with a tapered bore

- are suitable for applications for both constant and alternating directions of rotation
- fit the following adapter sleeves:
 - H 23 series for metric shafts
 - HA 23 and HE 23 series for inch shafts
- permit the full limiting speed to be achieved when mounted on an adapter sleeve, even where using commercial grade shafts
- have an inner ring symmetrically extended on both sides and a tapered bore (taper 1:12) (fig. 18, bearing series YSA 2)
- are capped on both sides with a rugged standard seal and an additional plain sheet steel flinger (*Standard seals with additional flingers*)
- have two lubrication holes in the outer ring as standard, one on each side, positioned 120° apart
- can be supplied without lubrication holes on request (designation suffix W)

The associated adapter sleeves must be ordered separately from the bearings.

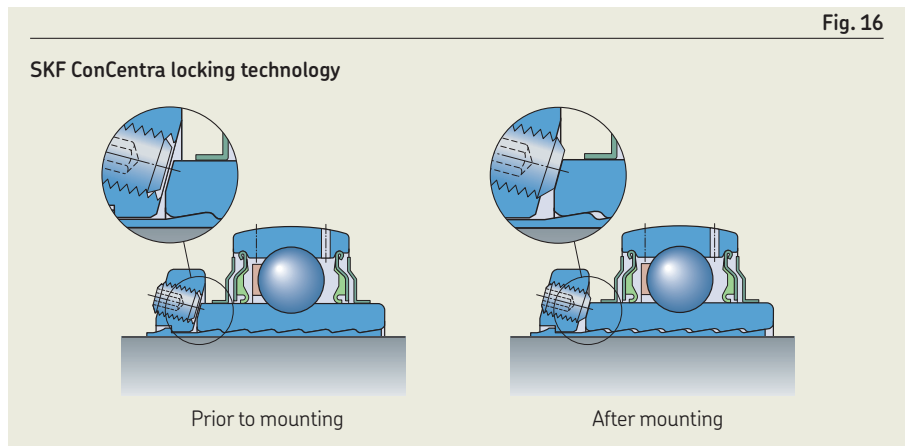


Fig. 16

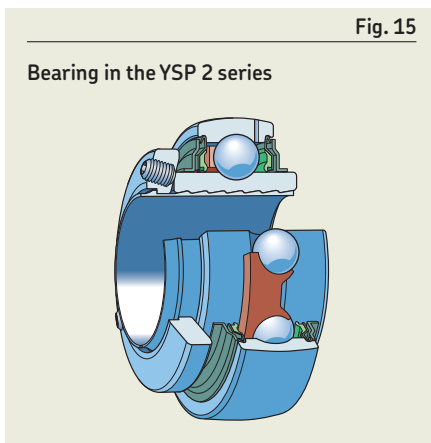


Fig. 15

Bearing in the YSP 2 series

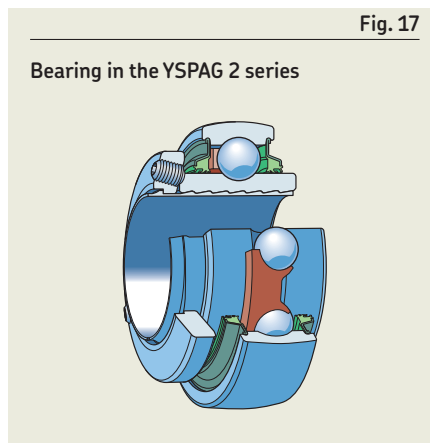


Fig. 17

Bearing in the YSPAG 2 series

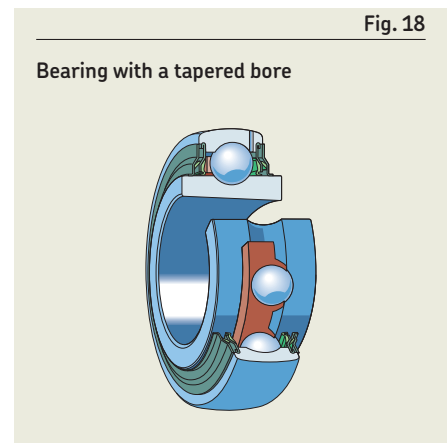


Fig. 18

Bearing with a tapered bore

Insert bearings with a standard inner ring

- are suitable for applications where smooth running is a key operational parameter
- have normal tolerances for the bearing bore diameter and are locked onto the shaft using an appropriate interference fit
- have the same dimensions and features as deep groove ball bearings in the 62 and 63 series, but have a spherically shaped (convex) outside surface (fig. 19, bearing series 17262 and 17263)
- accommodate heavier axial loads than any other insert bearing
- can operate at the same speeds as a corresponding sealed deep groove ball bearing
- are capped on both sides with:
 - an NBR contact seal (*RS1 seals*, page 346, designation suffix 2FRS1) as standard
 - a rugged standard seal (*Standard seals*, designation suffix 2FRS1/VP274)
- do not have any lubrication holes in the outer ring as standard
- can be supplied with two lubrication holes in the outer ring, one on each side, positioned 120° apart (designation suffix B)

Sealing solutions

SKF supplies all insert bearings capped with a seal or shield on both sides. In typical insert bearing applications, no additional external protection is necessary. Therefore, insert bearings are available with several sealing arrangement designs to meet the demands of a wide range of operating conditions.

When capped bearings must operate under certain conditions, such as very high speeds or high temperatures, grease may appear between the inner ring and capping device. For bearing arrangements where this would be detrimental, appropriate actions should be taken.

Standard seals

- consist of a stamped sheet steel washer with a seal lip made of NBR, vulcanized to its inner surface (fig. 20, designation suffix VP274 for bearings with a standard inner ring and no designation suffix for other insert bearings)
- form, with its non-contact sheet steel washer, a narrow gap with the inner ring shoulder to protect the seal against coarse contaminants

Standard seals with additional flingers

- are recommended for the more contaminated environments
- consist of a standard seal and an additional sheet steel or stainless sheet steel plain flinger (fig. 21, designation suffix 2F)
- have an interference fit for the flinger on the inner ring shoulder to improve considerably the effectiveness of the seal without increasing friction
- are only available for bearings with an inner ring extended on both sides

Fig. 19

Bearing with a standard inner ring

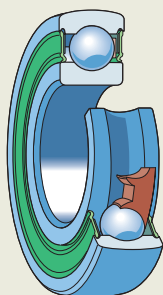


Fig. 20

Standard seals

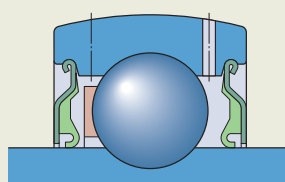
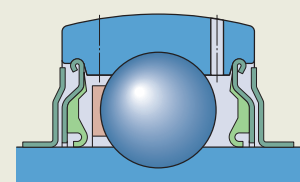


Fig. 21

Standard seals with additional flinger



2 Insert bearings (Y-bearings)

Multiple seals

- are recommended for very contaminated environments
- consist of a standard seal and a flinger with a vulcanized NBR lip, which seals axially against the standard seal (fig. 22, designation suffix 2RF)
- have the space between the flinger lip and the inner ring shoulder filled with grease to provide additional protection
- are only available for bearings with an inner ring extended on both sides

5-lip seals

- are recommended for extremely contaminated environments, such as agricultural applications
- are patented by SKF
- consist of a sheet steel insert with a vulcanized 5-lip contact seal made of a low-friction NBR compound (fig. 23):

- The steel insert is held in place by a groove in the bearing outer ring and protects the seal from solid contaminants.
 - Each seal lip has a different design to provide superior sealing performance in response to different operating conditions, including dynamic misalignment.
 - The outermost and innermost lips act as a labyrinth to prevent contaminant ingress and grease leakage, respectively.
 - The three inner lips make constant contact with the inner ring shoulder.
- are only available for bearings with an inner ring extended on both sides

RS1 seals

- were originally developed for standard SKF deep groove ball bearings
- are fitted in a recess on the outer ring and ride against the inner ring shoulder to act as contact seals (fig. 24, designation suffix 2RS1)
- are made of sheet steel reinforced NBR

Shields

- are designed for applications where the contamination level is low and additional friction should be avoided
- are fitted in a recess on the outer ring (fig. 25, designation suffix VP076)
- do not make contact with the inner ring, but form a narrow gap
- are made of sheet steel
- are only available for insert bearings on request

Bearings with shields should not be used where water, steam or moisture can enter the bearing.

Fig. 22

Multiple seals

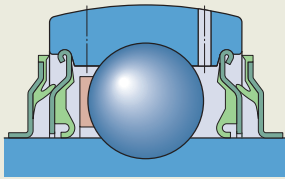


Fig. 23

5-lip seals

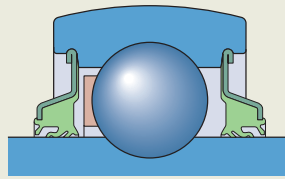


Fig. 24

RS1 seals

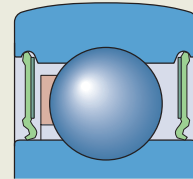


Fig. 25

Shields

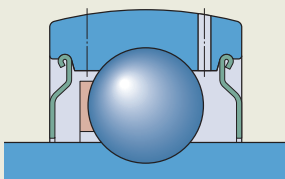


Fig. 26

Snap-type, glass fibre reinforced PA66 cage

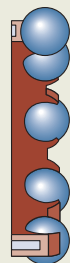


Fig. 27

Rubber seating rings in the RIS 2 series



Cages

SKF insert bearings are fitted as standard with a snap-type, glass fibre reinforced PA66 cage (fig. 26), no designation suffix.

When used at high temperatures, some lubricants can have a detrimental effect on polyamide cages. For additional information about the suitability of cages, refer to *Cages*, page 187.

- are intended to dampen vibration and noise
- are intended to enable the bearings to be displaced slightly in their housings to accommodate minor shaft expansion or misalignment
- are located on the bearing outer ring and in the housing bore (fig. 28)
- are made of NBR
- can withstand temperatures ranging from -30 to $+100$ °C (-20 to $+210$ °F)

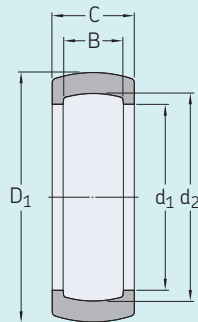
Rubber seating rings

- are available in the RIS 2 series (fig. 27, table 1)
- can be fitted on all SKF insert bearings, except for those with a standard inner ring (17262 and 17263 series)
- are primarily intended to “cushion” insert bearings in pressed steel plummer block housings

Rubber seating rings are available as an accessory and must be ordered separately. However, insert bearings in the YET 2 series can be supplied with the seating ring already fitted (fig. 29). These products are identified by the series prefix CYS, followed by the bearing bore diameter and the bearing identification suffix FM, e.g. CYS 20 FM is a YET 204 bearing with a 20 mm bore, fitted with an RIS 204 rubber seating ring.

Table 1

Rubber seating rings



Insert bearing Outside diameter D	Size	Rubber seating ring Designation	Rubber seating ring Dimensions					Mass
			D ₁	d ₁	d ₂	B	C	
mm	–	–	mm					g
40	03	RIS 203	47,3	35,5	39,8	12	18	12
47	04	RIS 204	52,3	41,2	46,8	14	19	11,5
52	05	RIS 205	62,3	46,4	51,8	15	20,5	26,5
62	06	RIS 206 A	72,3	54,6	61,8	18	21,5	31
72	07	RIS 207 A	80,3	63,7	71,8	19	23	32
80	08	RIS 208 A	85,3	70,7	79,7	21	24	26



Fig. 28

Rubber seating ring, located between bearing and housing

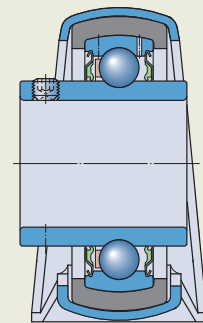
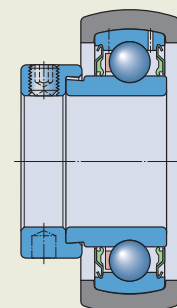


Fig. 29

Bearing in the YET 2 series with rubber seating ring (CYS .. FM)



Lubrication

SKF insert bearings are supplied capped on both sides and are greased.

Greases for capped bearings

Insert bearings are filled with one of the following greases (table 2):

- zinc-coated and stainless steel insert bearings
→ food-grade grease GFJ, registered by NSF as category H1

The NSF registration confirms the grease fulfils the requirements listed in the US Food and Drug Administration's guidelines under 21 CFR section 178.3570 (lubricant acceptable with incidental food contact, for use in and around food processing areas).

- all other insert bearings
→ standard grease VT307

Grease life for insert bearings

- is presented as L_{10} , i.e. the time period at the end of which 90% of the bearings are still reliably lubricated
- depends on the load, operating temperature and the nd_m value (diagram 1)

The indicated grease life is valid for the following combination of operating conditions:

- horizontal shaft
- very light to moderate loads ($P \leq 0,05 C$)
- stationary machine
- low vibration levels

Where the operating conditions vary, the grease life obtained from the diagram should be adjusted as follows:

- vertical shafts → 50% of the obtained value
- heavier loads ($P > 0,05 C$) → apply reduction factor (table 4)

The values for adjusting the grease life are estimates. Vibration can have a negative influence on grease life. The extent cannot be quantified, and the influence increases with increasing operating temperature.

Relubrication

Insert bearings do not need relubrication if the grease life exceeds the *SKF rating life*, page 89 of the bearing.

Relubrication can extend bearing service life under any of the following conditions:

- The bearings are exposed to high humidity or severe contamination.
- The bearings accommodate normal or heavy loads.
- The bearings operate for extended periods at high speeds or at temperatures above 55 °C (130 °F).
- The bearings are subjected to high vibration levels.

To relubricate insert bearings, the following greases can be used:

- zinc-coated and stainless steel insert bearings
→ food-grade grease SKF LGFP 2
- all other insert bearings
→ SKF LGWA 2, LGMT 2 or LGMT 3 grease

Table 2

Technical specifications of SKF greases for insert bearings

Grease	Temperature range ¹⁾		Thickener	Base oil type	NLGI grade	Base oil viscosity [mm ² /s]	
	°C	°F				at 40 °C (105 °F)	at 100 °C (210 °F)
VT307	-50	250	Lithium-calcium soap	Mineral	2	190	15
GFJ	-60	480	Aluminium-complex soap	Synthetic hydrocarbon	2	100	14

¹⁾ Refer to the SKF traffic light concept (page 117).

If relubrication is needed, the relubrication intervals can be estimated by following the method explained under *Estimating the relubrication interval for grease*, page 111.

When relubricating, the shaft should be turned and the grease pumped slowly until fresh grease starts to escape from the seal(s). Excessive pressure from pumping too quickly can damage the seals. When machines and equipment are used for a limited period of time, SKF recommends relubricating each bearing at the end of the operational period, i.e. immediately before being laid up.

Relubrication features

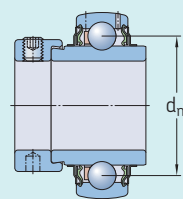
SKF insert bearings are designed to facilitate relubrication. They have two lubrication holes in the outer ring as standard, one on each side, positioned 120° apart. Bearings without lubrication holes can be supplied on request (designation suffix W).

The following bearings do not have the standard relubrication features:

- Stainless steel insert bearings with grub screws have a lubrication groove in the outer ring located on the side opposite the locking device and one lubrication hole within this groove.
- Insert bearings with a standard inner ring without designation suffix B and insert bearings with 5-lip seals are lubricated for life and cannot be relubricated. They do not have any lubrication holes.

Table 3

Bearing mean diameter d_m



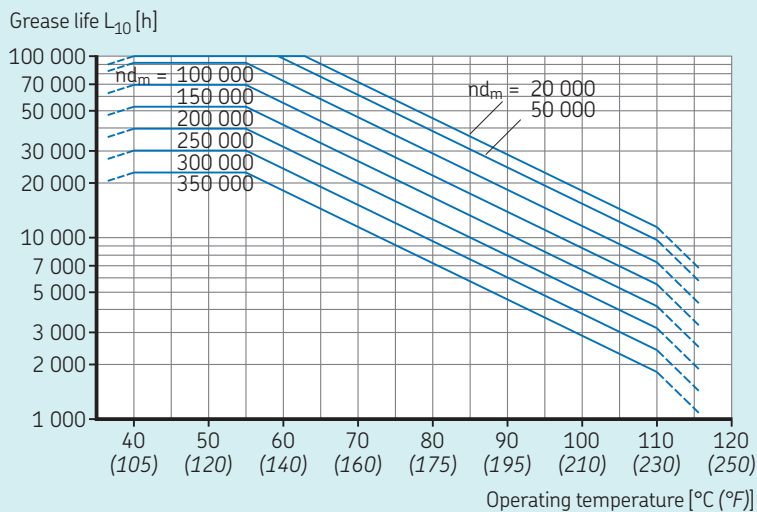
Bearing size ¹⁾	Bearing mean diameter d_m
----------------------------	-----------------------------

	mm
03	28,5
04	33,5
05	39
06	46
07	53,5
08	60
09	65
10	70
11	77,5
12	85
13	92,5
14	97,5
15	102,5
16	110
17	117,5
18	126
20	141

¹⁾ For example, bearing size 06 includes all bearings based on a 206 insert bearing, such as YAR 206-2F, YAR 206-101-2F, YAR 206-102-2F, YAR 206-103-2F, YAR 206-104-2F.

Diagram 1

Grease life for insert bearings with VT307 or GFJ grease where $P = 0,05 C$



n = rotational speed [r/min]
 d_m = mean diameter [mm] (table 3)

Table 4

Reduction factor for the grease life, depending on the load

Load P	Reduction factor
$\leq 0,05 C$	1
0,1 C	0,7
0,125 C	0,5
0,25 C	0,2

Bearing data

Dimension standards

Boundary dimensions: ISO 9628
Except for:

Bearing series YAT 2

- not standardized
- bore, outside diameter and outer ring width: ISO 9628

Bearing series YSP 2, YSPAG 2

- not standardized
- outside diameter and outer ring width: ISO 9628

Bearing series YSA 2

- JIS B 1558
- ISO 2982-1 for H 23 series adapter sleeves
- ANSI/ABMA Std. 8.2 for HA 23 and HE 23 series adapter sleeves

Bearing series 17262, 17263

- ISO 15
- outside diameter: ISO 9628

Tolerances

Bearing series YAT 2, YAR 2, YARAG 2, YET 2, YEL 2, YELAG 2

- Bore and outside diameter: [table 5, page 352](#)
- Bore and outside diameter tolerance values are slightly tighter than those listed in ISO 9628.

Bearing series YSP 2, YSPAG 2

- Outside diameter: [table 5](#)
- Before mounting, the sleeve bore is larger than the nominal value to ease sliding on the shaft.

Bearing series YSA 2

- Outside diameter: [table 5](#)
- The tapered bore fits H 23 series adapter sleeves for metric shafts and HA 23 and HE 23 series adapter sleeves for inch shafts.

For additional information
→ [page 35](#)

Bearing series 17262, 17263

- Normal: Values (ISO 492, [table 2, page 38](#))
- Outside diameter: [table 5](#)

Radial internal clearance

Values: ISO 9628 – Group N ([table 6, page 352](#))
Except for:

Bearing series 17262, 17263

- Normal: Values (ISO 5753-1, [table 6, page 252](#))

For additional information
→ [page 182](#)

Values are valid for unmounted bearings under zero measuring load.



Bearing data, continued

Permissible misalignment**Static misalignment**

Insert bearings can accommodate static initial misalignment by tilting in the housing ([fig. 2, page 340](#)). The permissible values are:

- SKF housings
 - relubrication is not required: 5°
 - relubrication is required (where applicable): 2°
- SKF pressed steel housings
 - Misalignment cannot be accommodated once the attachment bolts have been fully tightened, unless a rubber seating ring is used ([page 347](#)).

Dynamic misalignment

Insert bearings can accommodate a few minutes of arc (misalignment) between the inner and outer rings.



Table 5

Tolerances for SKF insert bearings

Nominal diameter		Inner ring		Outer ring	
		Bearing series YAT 2, YAR 2, YARAG 2, YET 2, YEL 2, YELAG 2		All bearings	
d, D		Δ_{dmp}	L	Δ_{Dmp}	L
>	≤	U		U	
mm		μm		μm	
10	18	+15	+5	–	–
18	31,75	+18	+5	–	–
31,75	50,8	+19	+5	0	–10
50,8	80,962	+21	+5	0	–10
80,962	120	+25	+5	0	–15
120	150	–	–	0	–15
150	180	–	–	0	–20

d = nominal bore diameter
D = nominal outside diameter

Table 6

Radial internal clearance for insert bearings

Bearing size ¹⁾	Radial internal clearance of insert bearings in the series			
	YAT 2, YAR 2, YARAG 2, YET 2, YEL 2, YELAG 2		YSP 2, YSPAG 2, YSA 2	
	min.	max.	min.	max.
–	μm			
03	10	25	–	–
04	12	28	–	–
05-06	12	28	23	41
07-08	13	33	28	46
09-10	14	36	30	51
11-13	18	43	38	61
14-16	20	51	–	–
17-20	24	58	–	–

¹⁾ For example, bearing size 06 includes all bearings based on a 206 insert bearing, such as YAR 206-2F, YAR 206-101-2F, YAR 206-102-2F, YAR 206-103-2F, YAR 206-104-2F.

Loads

<p>Minimum load</p> <p>For additional information → page 111</p>	<p>$F_{rm} = 0,01 C$</p> <p>The importance of imposing a minimum load increases where accelerations in the bearing are rapid, and where speeds are in the region of 75% or more of the limiting speed quoted in the product tables.</p>	<p>Symbols</p> <p>C basic dynamic load rating [kN] (product tables, page 366)</p> <p>C_0 basic static load rating [kN] (product tables)</p> <p>e limiting value (table 7, page 354)</p> <p>f_0 calculation factor (table 8, page 354)</p> <p>F_a axial load [kN]</p> <p>F_r radial load [kN]</p> <p>F_{rm} minimum radial load [kN]</p> <p>P equivalent dynamic bearing load [kN]</p> <p>P_0 equivalent static bearing load [kN]</p> <p>X radial load factor (table 7)</p> <p>Y axial load factor (table 7)</p>
<p>Axial load carrying capacity</p>	<p>$F_a \leq 0,25 C_0$</p> <p>The maximal permissible axial load of any locking mechanism is always $> 0,25 C_0$.</p>	
<p>Equivalent dynamic bearing load</p> <p>For additional information → page 96</p>	<p>$F_a/F_r \leq e \rightarrow P = F_r$ $F_a/F_r > e \rightarrow P = X F_r + Y F_a$</p>	
<p>Equivalent static bearing load</p> <p>For additional information → page 110</p>	<p>$P_0 = 0,6 F_r + 0,5 F_a$</p>	

Table 7

Calculation factors

$f_0 F_a / C_0$	Bearing series			17262, 17263		
	e	X	Y	e	X	Y
0,172	0,29	0,46	1,88	0,19	0,56	2,3
0,345	0,32	0,46	1,71	0,22	0,56	1,99
0,689	0,36	0,46	1,52	0,26	0,56	1,71
1,03	0,38	0,46	1,41	0,28	0,56	1,55
1,38	0,4	0,46	1,34	0,3	0,56	1,45
2,07	0,44	0,46	1,23	0,34	0,56	1,31
3,45	0,49	0,46	1,1	0,38	0,56	1,15
5,17	0,54	0,46	1,01	0,42	0,56	1,04
6,89	0,54	0,46	1	0,44	0,56	1

Table 8

Calculation factor f_0

Bearing series sizes	Factor f_0
YAT 2, YAR 2, YARAG 2, YET 2, YEL 2, YELAG 2, YSP 2, YSPAG 2, YSA 2	
03-04	13
05-12	14
13-18	15
20	14
17262	
03-04	13
05-12	14
17263	
05	12
06-10	13

Temperature limits

The permissible operating temperature for insert bearings can be limited by:

- the dimensional stability of the bearing rings and balls
- the cage
- the seals
- the lubricant

Where temperatures outside the permissible range are expected, contact SKF.

Bearing rings and balls

SKF insert bearings are heat stabilized up to at least 150 °C (300 °F).

Cages

For temperature limits of PA66 cages, refer to *Polymer cages*, [page 188](#).

Seals

The permissible operating temperature for NBR seals is -40 to +100 °C (-40 to +210 °F). Temperatures up to 120 °C (250 °F) can be tolerated for brief periods.

Typically, temperature peaks are at the seal lip.

Lubricants

Temperature limits for the greases used in SKF insert bearings are provided in [table 2](#), [page 348](#). For temperature limits of other SKF greases, refer to *Selecting a suitable SKF grease*, [page 116](#).

When using lubricants not supplied by SKF, temperature limits should be evaluated according to the SKF traffic light concept ([page 117](#)).

Permissible speed

Insert bearings should not operate at speeds above the limiting speed listed in the [product tables](#), [page 366](#). This speed limit is set by the seal design.

For insert bearings with grub screws or an eccentric locking collar, the permissible speed is also influenced by the shaft tolerance.

Where using these bearings on shafts with tolerances other than h6, compare the speed values listed in the product tables with those in [table 9](#). The lower value is the permissible speed.

The permissible speed of insert bearings with 5-lip seals is valid under the following conditions:

- outer ring temperature ≤ 60 °C (140 °F)
- ambient temperature ≤ 25 °C (80 °F)
- very light to moderate loads ($P \leq 0,05$ C)
- cast iron housing

For other conditions, contact SKF.

For applications operating at elevated speeds or where low vibration levels or quiet running is required, SKF recommends the use of either SKF ConCentra insert bearings, insert bearings on an adapter sleeve or insert bearings with a standard inner ring.

Table 9

Permissible speeds for insert bearings with grub screws or an eccentric locking collar

Bearing size ¹⁾	Permissible speed for shafts machined to tolerance class			
	h7 \oplus	h8 \oplus	h9 \oplus	h11 \oplus
–	r/min			
03	6 000	4 300	1 500	950
04	5 300	3 800	1 300	850
05	4 500	3 200	1 000	700
06	4 000	2 800	900	630
07	3 400	2 200	750	530
08	3 000	1 900	670	480
09	2 600	1 700	600	430
10	2 400	1 600	560	400
11	2 000	1 400	500	360
12	1 900	1 300	480	340
13	1 700	1 100	430	300
14	1 600	1 000	400	280
15	1 500	950	380	260
16	1 400	900	360	240
17	1 300	850	340	220
18	1 200	800	320	200
20	1 100	750	300	190

¹⁾ For example, bearing size 06 includes all bearings based on a 206 insert bearing, such as YAR 206-2F, YAR 206-101-2F, YAR 206-102-2F, YAR 206-103-2F, YAR 206-104-2F.

Design considerations



Axial displacement

Insert bearings are not intended to accommodate axial displacement of the shaft relative to the housing. The distance between bearing positions should therefore be short to avoid excessive induced axial loads as a result of thermal expansion of the shaft.

Design for small axial displacement

To accommodate small axial displacement, the bearings should be supported by resilient sheet metal support surfaces or walls (fig. 30).

Design for larger axial displacement

In applications where there are low speeds and light loads, an insert bearing with grub screws can be used to accommodate axial displacement. The shaft at the non-locating bearing position should be provided with one or two grooves, 120° apart, to engage a modified grub screw:

- Hexagon socket grub (set) screws with a dog point, in accordance with ISO 4028, but with a fine thread according to table 10. The grub screw should be secured by a nut and a spring or star lock washer (fig. 31).

The screws and groove(s) accommodate changes in shaft length and prevent the shaft from turning independently of the bearing. The sliding surfaces between the shaft and inner ring and those in the shaft grooves should be coated with a lubricant paste.

Fig. 30

Design for small axial displacement

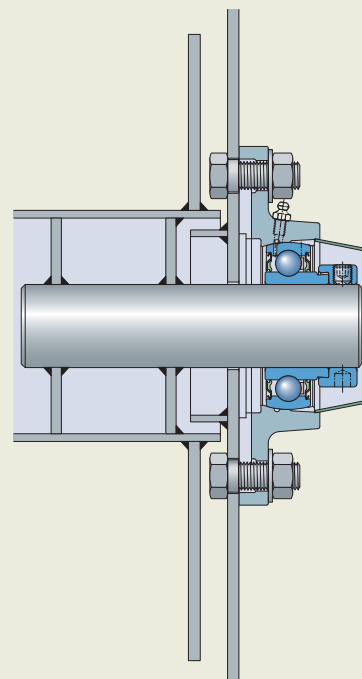


Fig. 31

Hexagon socket grub screw with a dog point secured by a nut and a star lock washer

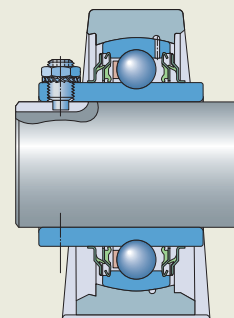
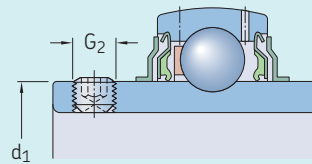


Table 10

Threaded holes in the inner ring of bearings in the YAT 2, YAR 2 and YARAG 2 series



Bearing size ¹⁾	Outside diameter of inner ring	Threaded holes			
	d_1	YAR bearing with metric bore G_2	YAR bearing with inch bore G_2	YAT bearing with metric bore G_2	YAT bearing with inch bore G_2
–	mm	–	–	–	–
03	24,2	M 6x0,75	#10-32 UNF	M 6x0,75	#10-32 UNF
04	28,2	M 6x0,75	1/4-28 UNF	M 6x0,75	1/4-28 UNF
05	33,7	M 6x0,75	1/4-28 UNF	M 6x0,75	1/4-28 UNF
06	39,7	M 6x0,75	1/4-28 UNF	M 6x0,75	5/16-24 UNF
07	46,1	M 6x0,75	5/16-24 UNF	M 6x0,75	5/16-24 UNF
08	51,8	M 8x1	5/16-24 UNF	M 6x0,75	5/16-24 UNF
09	56,8	M 8x1	5/16-24 UNF	M 6x0,75	5/16-24 UNF
10	62,5	M 10x1	3/8-24 UNF	M 8x1	3/8-24 UNF
11	69,1	M 10x1	3/8-24 UNF	–	3/8-24 UNF
12	75,6	M 10x1	3/8-24 UNF	–	3/8-24 UNF
13	82,5	M 10x1	3/8-24 UNF	–	–
14	87	M 10x1	7/16-20 UNF	–	–
15	92	M 10x1	7/16-20 UNF	–	3/8-24 UNF
16	97,4	M 10x1	7/16-20 UNF	–	3/8-24 UNF
17	105	M 12x1,5	–	–	–
18	112,5	M 12x1,5	–	–	–
20	124,8	M 12x1,5	–	–	–

¹⁾ For example, bearing size 06 includes all bearings based on a 206 insert bearing, such as YAR 206-2F, YAR 206-101-2F, YAR 206-102-2F, YAR 206-103-2F, YAR 206-104-2F.

Shaft tolerances

Recommended seat tolerances for insert bearings are listed in [table 11](#). The relative position of the upper and lower limits of the most commonly used ISO shaft tolerance classes for insert bearings, except for those with a standard inner ring, is illustrated in [fig. 32](#). The values for these tolerance classes are listed in [table 12](#).

Insert bearings on an adapter sleeve or SKF ConCentra insert bearings

The shaft seat total radial run-out should be IT5/2 for ISO tolerance class h9 \oplus ([table 12](#)).

Insert bearings with a standard inner ring

The same recommendations apply as for standard deep groove ball bearings ([table 11](#)). The values for these ISO tolerance classes are listed in [table 12](#), [page 156](#), and [table 14](#), [page 160](#).

Table 11

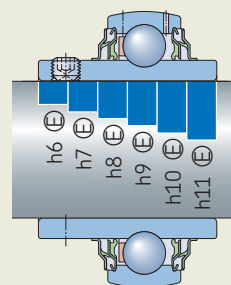
Recommended shaft seat tolerances

Operating conditions	Tolerance class ¹⁾
Insert bearings with grub screws or an eccentric locking collar P > 0,05 C and/or high speeds	h6
0,035 C < P ≤ 0,05 C	h7
0,02 C < P ≤ 0,035 C and/or low speeds	h8
Simple bearing arrangements or P ≤ 0,02 C	h9 – h11
Insert bearings with a tapered bore on an adapter sleeve or SKF ConCentra insert bearings All loads and speeds	h9/IT5
Insert bearings with a standard inner ring P > 0,035 C Shaft diameter ≤ 17 mm Shaft diameter ≥ 20 mm	j5 k5
P ≤ 0,035 C Shaft diameter ≥ 20 mm	j6

¹⁾ The envelope requirement (symbol \oplus from ISO 14405-1) is not shown but applies to all tolerance classes.

Fig. 32

Recommended fits



Mounting and dismounting

When mounting insert bearings on a shaft, suitable tools should be used and the locking components should be tightened to the torque values / tightening angles listed in:

- [table 13, page 360](#), for bearings with grub screws and bearings with an eccentric locking collar
- [table 14, page 361](#), for bearings on an adapter sleeve
- [table 15, page 362](#), for SKF ConCentra bearings

For additional information about mounting and dismounting insert bearings and assembling ball bearing units, refer to the *SKF bearing maintenance handbook*.

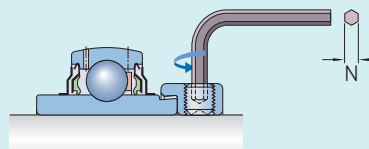
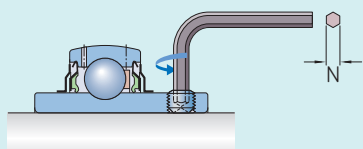


Table 12

ISO shaft deviations for insert bearings, except for those with a standard inner ring

Shaft diameter d		Shaft diameter deviations											
		Tolerance class h6 [Ⓔ] Deviation		h7 [Ⓔ]		h8 [Ⓔ]		h9 [Ⓔ]		h10 [Ⓔ]		h11 [Ⓔ]	
>	≤	U	L	U	L	U	L	U	L	U	L	U	L
mm		μm											
10	18	0	-11	0	-18	0	-27	0	-43	0	-70	0	-110
18	30	0	-13	0	-21	0	-33	0	-52	0	-84	0	-130
30	50	0	-16	0	-25	0	-39	0	-62	0	-100	0	-160
50	80	0	-19	0	-30	0	-46	0	-74	0	-120	0	-190
80	120	0	-22	0	-35	0	-54	0	-87	0	-140	0	-220

Grub screws in inner rings and eccentric locking collars – key sizes and recommended tightening torques



Bearing size ¹⁾	Bearing with metric bore		Bearing with inch bore	
	Hexagonal key size N	Tightening torque	Hexagonal key size N	Tightening torque
–	mm	Nm	in.	Nm

Bearing size ¹⁾	Bearing with metric bore		Bearing with inch bore	
	Hexagonal key size N	Tightening torque	Hexagonal key size N	Tightening torque
–	mm	Nm	in.	Nm

Bearings in the YAR 2 or YARAG 2 series

03	3	4	3/32	4
04	3	4	1/8	4
05	3	4	1/8	4
06	3	4	1/8	4
07	3	4	5/32	6,5
08	4	6,5	5/32	6,5
09	4	6,5	5/32	6,5
10	5	16,5	3/16	16,5
11	5	16,5	3/16	16,5
12	5	16,5	3/16	16,5
13	5	16,5	3/16	16,5
14	5	16,5	7/32	28,5
15	5	16,5	7/32	28,5
16	5	16,5	7/32	28,5
17	6	28,5	–	–
18	6	28,5	–	–
20	6	28,5	–	–

Bearings in the YAT 2 series

03	3	4	3/32	4
04	3	4	1/8	4
05	3	4	1/8	4
06	3	4	5/32	6,5
07	3	4	5/32	6,5
08	3	4	5/32	6,5
09	3	4	5/32	6,5
10	4	6,5	5/32	6,5
11	–	–	3/16	16,5
12	–	–	3/16	16,5
15	–	–	3/16	16,5
16	–	–	3/16	16,5

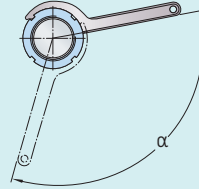
Bearings in the YET 2, YEL 2 or YELAG 2 series

03	3	4	1/8	4
04	3	4	1/8	4
05	3	4	1/8	4
06	4	6,5	5/32	6,5
07	5	16,5	3/16	16,5
08	5	16,5	3/16	16,5
09	5	16,5	3/16	16,5
10	5	16,5	3/16	16,5
11	5	16,5	7/32	28,5
12	5	16,5	7/32	28,5

¹⁾ For example, bearing size 06 includes all bearings based on a 206 insert bearing, such as YAR 206-2F, YAR 206-101-2F, YAR 206-102-2F, YAR 206-103-2F, YAR 206-104-2F.

Table 14

Hook spanners for insert bearings on an adapter sleeve – sizes and recommended tightening angles

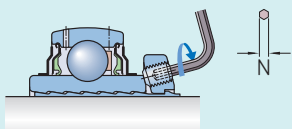


Designation	Shaft diameter		Hook spanner	Lock nut tightening angle ¹⁾
Insert bearing + adapter sleeve	d			α
–	mm	in.	–	°
YSA 205-2FK + HE 2305	–	3/4	HN 5	90
YSA 205-2FK + H 2305	20	–	HN 5	90
YSA 206-2FK + HA 2306	–	15/16	HN 6	95
YSA 206-2FK + H 2306	25	–	HN 6	95
YSA 206-2FK + HE 2306	–	1	HN 6	95
YSA 207-2FK + H 2307	30	–	HN 7	100
YSA 207-2FK + HA 2307	–	1 3/16	HN 7	100
YSA 208-2FK + HE 2308	–	1 1/4	HN 8	105
YSA 208-2FK + H 2308	35	–	HN 8	105
YSA 209-2FK + HA 2309	–	1 7/16	HN 9	110
YSA 209-2FK + HE 2309	–	1 1/2	HN 9	110
YSA 209-2FK + H 2309	40	–	HN 9	110
YSA 210-2FK + HA 2310	–	1 11/16	HN 10	115
YSA 210-2FK + HE 2310	–	1 3/4	HN 10	115
YSA 210-2FK + H 2310	45	–	HN 10	115
YSA 211-2FK + HA 2311	–	1 15/16	HN 11	90
YSA 211-2FK + H 2311	50	–	HN 11	90
YSA 211-2FK + HE 2311 B	–	2	HN 11	90
YSA 212-2FK + H 2312	55	–	HN 12	95
YSA 213-2FK + HA 2313	–	2 3/16	HN 13	100
YSA 213-2FK + HE 2313	–	2 1/4	HN 13	100
YSA 213-2FK + H 2313	60	–	HN 13	100

¹⁾ The listed values are to be used as guideline values only, as it is difficult to establish an exact starting position.

Table 15

Grub screws in SKF ConCentra insert bearings – key sizes and recommended tightening torques



Bearing size ¹⁾		Screw size	Hexagonal key size N	Tightening torque
≥	≤			
–	–	–	mm	Nm
05	06	M5	2,5	4,2
07	13	M6	3	7,4

¹⁾ For example, bearing size 07 includes all bearings based on a 207 insert bearing, such as YSP 207 SB-2F, YSP 207-104 SB-2F, YSP 207-106 SB-2F, YSP 207-107 SB-2F.

Assembling insert bearings into housings with fitting slots

When mounting an insert bearing into a housing with fitting slots, the bearing should be inserted into the fitting slot in the housing bore (fig. 33) and then swivelled into position. The misalignment of the bearing relative to the housing should not exceed 5°. Eccentric locking collars should be removed from the bearing prior to mounting and reinstalled when the bearing is in position in the housing.

The locking device should face in the same direction as the fitting slots, except for stainless steel housings and composite housings for SKF Food Line with designation suffix L. Where mounting bearings into these housings, the locking device should face in the opposite direction to the fitting slots.

Make sure that no relubrication hole or groove in the bearing outside diameter coincides with either of the fitting slots in the housing, otherwise grease leakage may result or contamination might enter the bearing (fig. 34).

If the bearing has to be relubricated, make sure the relubrication features in the outer ring (hole, or groove and hole) coincide with the relubrication feature in the housing bore. The misalignment of the bearing relative to the housing should not exceed 2°, otherwise relubrication will not be possible (fig. 35).

SKF recommends mounting SKF insert bearings only into SKF housings to avoid a mismatch of components and to enable proper bearing relubrication.

Fig. 33

Assembling a bearing into a housing with fitting slots

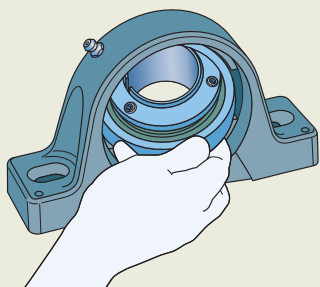
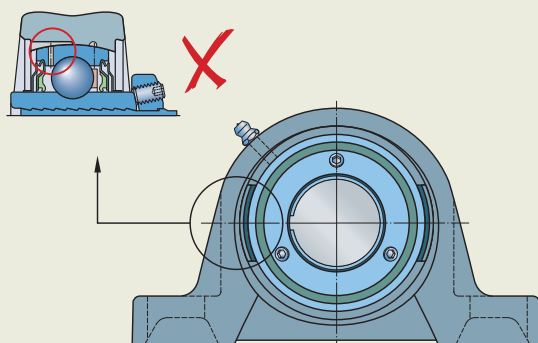


Fig. 34

Relubrication hole or groove not to coincide with fitting slots



SKF ConCentra insert bearings

When mounting SKF ConCentra insert bearings, position the collar so that one grub screw is directly opposite the slit in the sleeve.

CAUTION: Do not tighten the grub (set) screws until the bearing is positioned on the shaft. If the screws are tightened prematurely, the stepped sleeve may deform. No attempt should be made to remove the sleeve and the mounting collar from the bearing prior to mounting.

To dismount SKF ConCentra insert bearings, loosen the grub screws first. Then gently tap the edge of the sleeve on the collar side or the inner ring side face on the opposite side to loosen the lock (fig. 36).

Fig. 35

Misalignment $\leq 2^\circ$ where relubrication is required

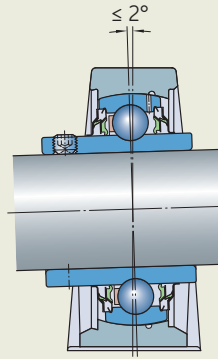
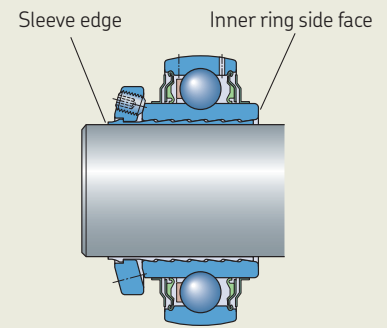


Fig. 36

Dismounting an SKF ConCentra insert bearing



2



Designation system



Prefixes

Basic designation

Bearing design

- YAR** Bearing with grub screws, inner ring extended on both sides
- YARAG** Bearing with grub screws, inner ring extended on both sides, 5-lip seals, without lubrication holes
- YAT** Bearing with grub screws, inner ring extended on one side
- YEL** Bearing with an eccentric locking collar, inner ring extended on both sides
- YELAG** Bearing with an eccentric locking collar, inner ring extended on both sides, 5-lip seals, without lubrication holes
- YET** Bearing with an eccentric locking collar, inner ring extended on one side
- YSA** Bearing with a tapered bore, inner ring symmetrically extended on both sides
- YSP** Bearing with SKF ConCentra locking technology, inner ring symmetrically extended on both sides
- YSPAG** Bearing with SKF ConCentra locking technology, inner ring symmetrically extended on both sides, 5-lip seals, without lubrication holes
- 172** Bearing with a standard inner ring
- CYS** Bearing in the YET 2 series fitted with a rubber seating ring

Dimension series

- 2** Outside diameter to ISO 15, diameter series 2
- 62** Bearing in accordance with ISO 15, dimension series 02, spherically shaped outside surface
- 63** Bearing in accordance with ISO 15, dimension series 03, spherically shaped outside surface

Bore diameter d

Bearings for metric shafts

- 03/12** 12 mm
- 03/15** 15 mm
- 03** 17 mm
- 04** 20 mm
- to
- 20** 100 mm

Bearings for inch shafts

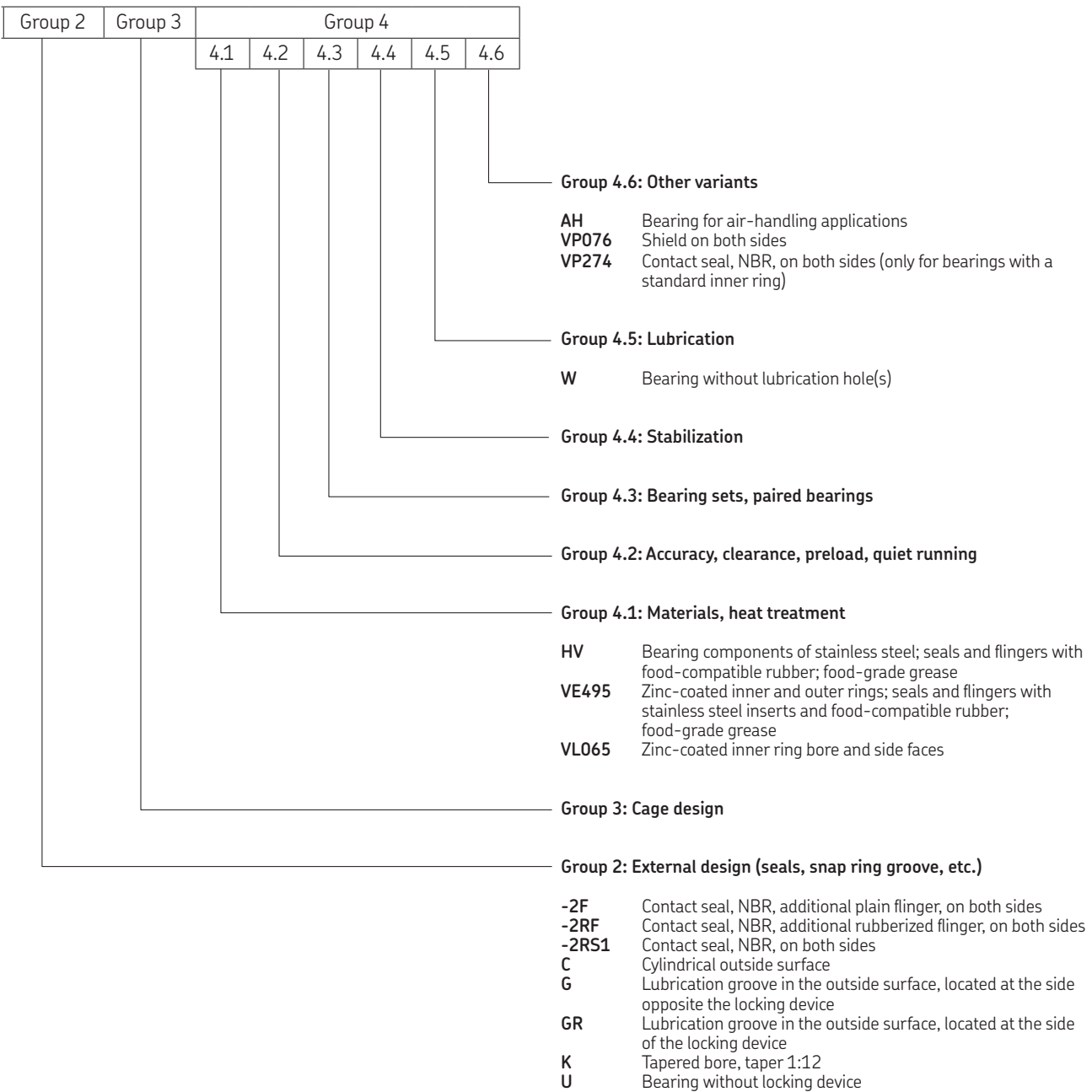
Three-digits combination that follows the designation of the basic metric bearing and is separated from this by a hyphen: the first digit is the number of whole inches and the second and third digits are the number of sixteenths of an inch, e.g. 204-012

- 008** 1/2 in. (12,7 mm)
- to
- 300** 3 in. (76,2 mm)

Suffixes

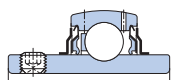
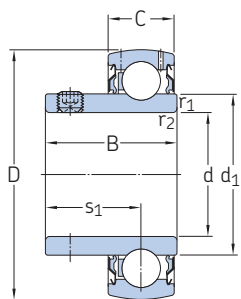
Group 1: Internal design

- B** Lubrication holes in the outer ring (only for bearings with a standard inner ring)
- SB** SKF ConCentra ball bearing with shortened inner ring

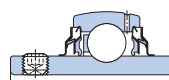


2.1 Insert bearings with grub screws, metric shafts

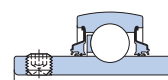
d 12 – 100 mm



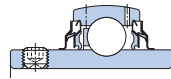
YAR...-2F



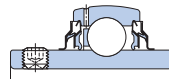
YAR...-2RF/HV



YARAG



YAR...-2RF



YAR...-2RFGR/HV

YAT

Dimensions							Basic load ratings		Fatigue load limit	Limiting speed	Mass	Designation	
d	D	B	C	d ₁	s ₁	r _{1,2} min.	C	C ₀	P _u	with shaft tolerance h6	kg	–	
mm							kN		kN	r/min			
12	40	27,4	12	24,2	15,9	0,3	9,56	4,75	0,2	9 500	0,12	► YAR 203/12-2F	
15	40	27,4	12	24,2	15,9	0,3	9,56	4,75	0,2	9 500	0,11	► YAR 203/15-2F	
17	40	22,1	12	24,2	15,9	0,3	9,56	4,75	0,2	9 500	0,08	► YAT 203	
	40	27,4	12	24,2	15,9	0,3	9,56	4,75	0,2	9 500	0,1	► YAR 203-2F	
20	47	25,5	14	28,2	18,3	0,6	12,7	6,55	0,28	8 500	0,13	► YAT 204	
	47	31	14	28,2	18,3	0,6	10,8	6,55	0,28	5 000	0,15	► YAR 204-2RF/HV	
	47	31	14	28,2	18,3	0,6	10,8	6,55	0,28	5 000	0,15	YAR 204-2RFGR/HV	
20	47	31	14	28,2	18,3	0,6	12,7	6,55	0,28	1 800	0,15	YARAG 204	
	47	31	14	28,2	18,3	0,6	12,7	6,55	0,28	5 000	0,15	► YAR 204-2RF	
	47	31	14	28,2	18,3	0,6	12,7	6,55	0,28	5 000	0,15	YAR 204-2RF/VE495	
	47	31	14	28,2	18,3	0,6	12,7	6,55	0,28	8 500	0,15	► YAR 204-2F	
	25	52	27,2	15	33,7	19,5	0,6	14	7,8	0,335	7 000	0,16	► YAT 205
		52	34,1	15	33,7	19,8	0,6	11,9	7,8	0,335	4 300	0,19	► YAR 205-2RF/HV
52		34,1	15	33,7	19,8	0,6	11,9	7,8	0,335	4 300	0,19	YAR 205-2RFGR/HV	
25	52	34,1	15	33,7	19,8	0,6	14	7,8	0,335	1 500	0,19	► YARAG 205	
	52	34,1	15	33,7	19,8	0,6	14	7,8	0,335	4 300	0,19	► YAR 205-2RF	
	52	34,1	15	33,7	19,8	0,6	14	7,8	0,335	4 300	0,19	YAR 205-2RF/VE495	
	52	34,1	15	33,7	19,8	0,6	14	7,8	0,335	7 000	0,19	► YAR 205-2F	
	30	62	30,2	18	39,7	21	0,6	19,5	11,2	0,475	6 300	0,26	► YAT 206
62		38,1	18	39,7	22,2	0,6	16,3	11,2	0,475	3 800	0,3	► YAR 206-2RF/HV	
62		38,1	18	39,7	22,2	0,6	16,3	11,2	0,475	3 800	0,3	YAR 206-2RFGR/HV	
62		38,1	18	39,7	22,2	0,6	19,5	11,2	0,475	1 200	0,3	YARAG 206	
62		38,1	18	39,7	22,2	0,6	19,5	11,2	0,475	3 800	0,31	► YAR 206-2RF	
62		38,1	18	39,7	22,2	0,6	19,5	11,2	0,475	3 800	0,31	YAR 206-2RF/VE495	
30	62	38,1	18	39,7	22,2	0,6	19,5	11,2	0,475	6 300	0,31	► YAR 206-2F	
	35	72	33	19	46,1	23,3	1	25,5	15,3	0,655	5 300	0,38	► YAT 207
		72	42,9	19	46,1	25,4	1	21,6	15,3	0,655	3 200	0,45	► YAR 207-2RF/HV
72		42,9	19	46,1	25,4	1	21,6	15,3	0,655	3 200	0,45	YAR 207-2RFGR/HV	
35	72	42,9	19	46,1	25,4	1	25,5	15,3	0,655	1 100	0,44	► YARAG 207	
	72	42,9	19	46,1	25,4	1	25,5	15,3	0,655	3 200	0,45	► YAR 207-2RF	
	72	42,9	19	46,1	25,4	1	25,5	15,3	0,655	3 200	0,45	YAR 207-2RF/VE495	
	72	42,9	19	46,1	25,4	1	25,5	15,3	0,655	5 300	0,45	► YAR 207-2F	

► Popular item

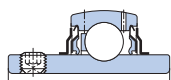
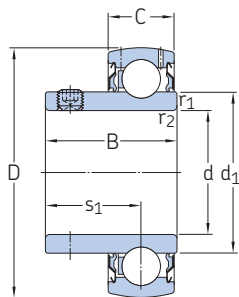
Dimensions							Basic load ratings		Fatigue load limit	Limiting speed	Mass	Designation
d	D	B	C	d ₁ ≈	s ₁	r _{1,2} min.	C	C ₀	P _u	with shaft tolerance h6		
mm							kN		kN	r/min	kg	–
40	80	36	21	51,8	25,3	1	30,7	19	0,8	4 800	0,5	▶ YAT 208
	80	49,2	21	51,8	30,2	1	24,7	19	0,8	2 800	0,6	▶ YAR 208-2RF/HV
	80	49,2	21	51,8	30,2	1	24,7	19	0,8	2 800	0,6	▶ YAR 208-2RFGR/HV
	80	49,2	21	51,8	30,2	1	30,7	19	0,8	950	0,59	▶ YARAG 208
	80	49,2	21	51,8	30,2	1	30,7	19	0,8	2 800	0,6	▶ YAR 208-2RF
	80	49,2	21	51,8	30,2	1	30,7	19	0,8	2 800	0,61	▶ YAR 208-2RF/VE495
45	85	37	22	56,8	25,8	1	33,2	21,6	0,915	4 300	0,56	▶ YAT 209
	85	49,2	22	56,8	30,2	1	33,2	21,6	0,915	850	0,66	▶ YARAG 209
	85	49,2	22	56,8	30,2	1	33,2	21,6	0,915	2 400	0,67	▶ YAR 209-2RF
50	85	49,2	22	56,8	30,2	1	33,2	21,6	0,915	4 300	0,67	▶ YAR 209-2F
	90	38,8	22	62,5	27,6	1	35,1	23,2	0,98	4 000	0,63	▶ YAT 210
	90	51,6	22	62,5	32,6	1	29,6	23,2	0,98	2 200	0,76	▶ YAR 210-2RF/HV
	90	51,6	22	62,5	32,6	1	29,6	23,2	0,98	2 200	0,76	▶ YAR 210-2RFGR/HV
	90	51,6	22	62,5	32,6	1	35,1	23,2	0,98	800	0,75	▶ YARAG 210
	90	51,6	22	62,5	32,6	1	35,1	23,2	0,98	2 200	0,77	▶ YAR 210-2RF
55	90	51,6	22	62,5	32,6	1	35,1	23,2	0,98	2 200	0,77	▶ YAR 210-2RF/VE495
	90	51,6	22	62,5	32,6	1	35,1	23,2	0,98	4 000	0,76	▶ YAR 210-2F
60	100	55,6	25	69	33,4	1	43,6	29	1,25	1 900	1,05	▶ YAR 211-2RF
	100	55,6	25	69	33,4	1	43,6	29	1,25	3 600	1,05	▶ YAR 211-2F
65	110	65,1	26	75,6	39,7	1,5	52,7	36	1,53	1 800	1,4	▶ YAR 212-2RF
	110	65,1	26	75,6	39,7	1,5	52,7	36	1,53	3 400	1,4	▶ YAR 212-2F
70	120	68,3	27	82,5	42,9	1,5	57,2	40	1,7	1 600	1,8	▶ YAR 213-2RF
	120	68,3	27	82,5	42,9	1,5	57,2	40	1,7	3 000	1,8	▶ YAR 213-2F
75	125	69,9	28	87	39,7	1,5	62,4	45	1,86	2 800	1,95	▶ YAR 214-2F
80	130	73,3	29	92	46,3	1,5	66,3	49	2,04	2 600	2,15	▶ YAR 215-2F
85	140	77,8	30	97,4	47,6	2	72,8	53	2,16	2 400	2,5	▶ YAR 216-2F
90	160	89	36	112	54	2	95,6	72	2,7	2 000	4	▶ YAR 218-2F
100	180	98,4	40	124	63,4	1,9	124	93	3,35	1 900	5,6	▶ YAR 220-2F



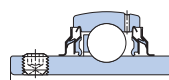
2.2 Insert bearings with grub screws, inch shafts

d 1/2 – 1 3/4 in.

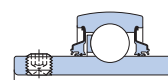
12,7 – 44,45 mm



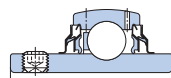
YAR ..-2F



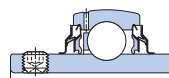
YAR ..-2RF/HV



YARAG



YAR ..-2RF



YAR ..-2RFGR/HV

YAT

Dimensions							Basic load ratings		Fatigue load limit	Limiting speed	Mass	Designation
d	D	B	C	d ₁	s ₁	r _{1,2} min.	C	C ₀	P _u	with shaft tolerance h6	kg	–
in./mm	mm						kN		kN	r/min		
1/2 12,7	40	27,4	12	24,2	15,9	0,3	9,56	4,75	0,2	9 500	0,12	YAR 203-008-2F
5/8 15,875	40	22,1	12	24,2	15,9	0,3	9,56	4,75	0,2	9 500	0,09	YAT 203-010
	40	27,4	12	24,2	15,9	0,3	9,56	4,75	0,2	9 500	0,1	YAR 203-010-2F
3/4 19,05	47	25,5	14	28,2	18,3	0,6	12,7	6,55	0,28	8 500	0,14	YAT 204-012
	47	31	14	28,2	18,3	0,6	10,8	6,55	0,28	5 000	0,16	YAR 204-012-2RF/HV
	47	31	14	28,2	18,3	0,6	10,8	6,55	0,28	5 000	0,16	YAR 204-012-2RFGR/HV
	47	31	14	28,2	18,3	0,6	12,7	6,55	0,28	5 000	0,16	YAR 204-012-2RF
	47	31	14	28,2	18,3	0,6	12,7	6,55	0,28	5 000	0,16	YAR 204-012-2RF/VE495
	47	31	14	28,2	18,3	0,6	12,7	6,55	0,28	8 500	0,16	▶ YAR 204-012-2F
7/8 22,225	52	27,2	15	33,7	19,5	0,6	14	7,8	0,335	7 000	0,19	YAT 205-014
15/16 23,813	52	27,2	15	33,7	19,5	0,6	14	7,8	0,335	7 000	0,17	YAT 205-015
	52	34,1	15	33,7	19,8	0,6	14	7,8	0,335	4 300	0,21	YAR 205-015-2RF/VE495
	52	34,1	15	33,7	19,8	0,6	14	7,8	0,335	7 000	0,2	YAR 205-015-2F
1 25,4	52	27,2	15	33,7	19,5	0,6	14	7,8	0,335	7 000	0,16	YAT 205-100
	52	34,1	15	33,7	19,8	0,6	11,9	7,8	0,335	4 300	0,19	YAR 205-100-2RF/HV
	52	34,1	15	33,7	19,8	0,6	11,9	7,8	0,335	4 300	0,19	YAR 205-100-2RFGR/HV
	52	34,1	15	33,7	19,8	0,6	14	7,8	0,335	1 500	0,18	YARAG 205-100
	52	34,1	15	33,7	19,8	0,6	14	7,8	0,335	4 300	0,19	▶ YAR 205-100-2RF
	52	34,1	15	33,7	19,8	0,6	14	7,8	0,335	4 300	0,19	YAR 205-100-2RF/VE495
1 1/8 28,575	52	34,1	15	33,7	19,8	0,6	14	7,8	0,335	7 000	0,19	▶ YAR 205-100-2F
	62	38,1	18	39,7	22,2	0,6	19,5	11,2	0,475	6 300	0,35	YAR 206-101-2F
1 1/8 28,575	62	38,1	18	39,7	22,2	0,6	19,5	11,2	0,475	1 200	0,32	YARAG 206-102
	62	38,1	18	39,7	22,2	0,6	19,5	11,2	0,475	6 300	0,32	YAR 206-102-2F
1 3/16 30,163	62	30,2	18	39,7	21	0,6	19,5	11,2	0,475	6 300	0,26	YAT 206-103
	62	38,1	18	39,7	22,2	0,6	16,3	11,2	0,475	3 800	0,3	YAR 206-103-2RF/HV
	62	38,1	18	39,7	22,2	0,6	16,3	11,2	0,475	3 800	0,3	YAR 206-103-2RFGR/HV
1 3/16 30,163	62	38,1	18	39,7	22,2	0,6	19,5	11,2	0,475	1 200	0,3	YARAG 206-103
	62	38,1	18	39,7	22,2	0,6	19,5	11,2	0,475	3 800	0,3	YAR 206-103-2RF/VE495
	62	38,1	18	39,7	22,2	0,6	19,5	11,2	0,475	6 300	0,3	YAR 206-103-2F

▶ Popular item



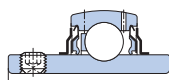
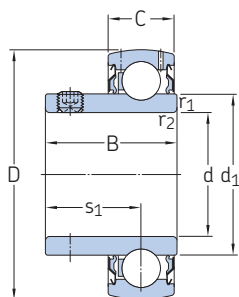
Dimensions							Basic load ratings		Fatigue load limit	Limiting speed	Mass	Designation
d	D	B	C	d ₁	s ₁	r _{1,2}	C	C ₀	P _u	with shaft tolerance h6		
in./mm	mm			≈		min.	kN		kN	r/min	kg	–
1 1/4 31,75	62	30,2	18	39,7	21	0,6	19,5	11,2	0,475	6 300	0,24	YAT 206-104
	62	38,1	18	39,7	22,2	0,6	16,3	11,2	0,475	3 800	0,28	YAR 206-104-2RF/HV
	62	38,1	18	39,7	22,2	0,6	16,3	11,2	0,475	3 800	0,28	YAR 206-104-2RFGR/HV
	62	38,1	18	39,7	22,2	0,6	19,5	11,2	0,475	1 200	0,27	YARAG 206-104
	62	38,1	18	39,7	22,2	0,6	19,5	11,2	0,475	3 800	0,28	YAR 206-104-2RF/VE495
	62	38,1	18	39,7	22,2	0,6	19,5	11,2	0,475	6 300	0,28	YAR 206-104-2F
	72	42,9	19	46,1	25,4	1	21,6	15,3	0,655	3 200	0,5	▶ YAR 207-104-2RF/HV
	72	42,9	19	46,1	25,4	1	21,6	15,3	0,655	3 200	0,5	YAR 207-104-2RFGR/HV
	72	42,9	19	46,1	25,4	1	25,5	15,3	0,655	1 100	0,49	YARAG 207-104
	72	42,9	19	46,1	25,4	1	25,5	15,3	0,655	3 200	0,51	YAR 207-104-2RF
	72	42,9	19	46,1	25,4	1	25,5	15,3	0,655	3 200	0,51	YAR 207-104-2RF/VE495
	72	42,9	19	46,1	25,4	1	25,5	15,3	0,655	5 300	0,5	▶ YAR 207-104-2F
1 5/16 33,338	72	42,9	19	46,1	25,4	1	25,5	15,3	0,655	5 300	0,48	YAR 207-105-2F
1 3/8 34,925	72	42,9	19	46,1	25,4	1	21,6	15,3	0,655	3 200	0,45	YAR 207-106-2RF/HV
	72	42,9	19	46,1	25,4	1	21,6	15,3	0,655	3 200	0,45	YAR 207-106-2RFGR/HV
	72	42,9	19	46,1	25,4	1	25,5	15,3	0,655	1 100	0,44	YARAG 207-106
	72	42,9	19	46,1	25,4	1	25,5	15,3	0,655	3 200	0,45	YAR 207-106-2RF/VE495
	72	42,9	19	46,1	25,4	1	25,5	15,3	0,655	5 300	0,45	YAR 207-106-2F
1 7/16 36,513	72	33	19	46,1	23,3	1	25,5	15,3	0,655	5 300	0,36	YAT 207-107
	72	42,9	19	46,1	25,4	1	21,6	15,3	0,655	3 200	0,42	▶ YAR 207-107-2RF/HV
	72	42,9	19	46,1	25,4	1	21,6	15,3	0,655	3 200	0,42	YAR 207-107-2RFGR/HV
	72	42,9	19	46,1	25,4	1	25,5	15,3	0,655	1 100	0,41	YARAG 207-107
	72	42,9	19	46,1	25,4	1	25,5	15,3	0,655	3 200	0,42	YAR 207-107-2RF/VE495
	72	42,9	19	46,1	25,4	1	25,5	15,3	0,655	5 300	0,42	YAR 207-107-2F
	80	49,2	21	51,8	30,2	1	30,7	19	0,8	4 800	0,68	YAR 208-107-2F
1 1/2 38,1	80	36	21	51,8	25,3	1	30,7	19	0,8	4 800	0,53	YAT 208-108
	80	49,2	21	51,8	30,2	1	24,7	19	0,8	2 800	0,65	▶ YAR 208-108-2RF/HV
	80	49,2	21	51,8	30,2	1	24,7	19	0,8	2 800	0,65	YAR 208-108-2RFGR/HV
	80	49,2	21	51,8	30,2	1	30,7	19	0,8	950	0,63	YARAG 208-108
	80	49,2	21	51,8	30,2	1	30,7	19	0,8	2 800	0,65	▶ YAR 208-108-2RF
	80	49,2	21	51,8	30,2	1	30,7	19	0,8	2 800	0,65	YAR 208-108-2RF/VE495
	80	49,2	21	51,8	30,2	1	30,7	19	0,8	4 800	0,65	▶ YAR 208-108-2F
	85	49,2	22	56,8	30,2	1	33,2	21,6	0,915	4 300	0,84	YAR 209-108-2F
1 9/16 39,688	80	49,2	21	51,8	30,2	1	30,7	19	0,8	4 800	0,61	YAR 208-109-2F
1 5/8 41,275	85	49,2	22	56,8	30,2	1	33,2	21,6	0,915	850	0,75	YARAG 209-110
	85	49,2	22	56,8	30,2	1	33,2	21,6	0,915	4 300	0,77	YAR 209-110-2F
1 11/16 42,863	85	37	22	56,8	25,8	1	33,2	21,6	0,915	4 300	0,61	YAT 209-111
	85	49,2	22	56,8	30,2	1	33,2	21,6	0,915	850	0,71	YARAG 209-111
	85	49,2	22	56,8	30,2	1	33,2	21,6	0,915	4 300	0,73	YAR 209-111-2F
1 3/4 44,45	85	37	22	56,8	25,8	1	33,2	21,6	0,915	4 300	0,58	YAT 209-112
	85	49,2	22	56,8	30,2	1	33,2	21,6	0,915	2 400	0,69	YAR 209-112-2RF
	85	49,2	22	56,8	30,2	1	33,2	21,6	0,915	4 300	0,69	▶ YAR 209-112-2F

▶ Popular item

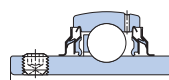
2.2 Insert bearings with grub screws, inch shafts

d 1 15/16 – 3 in.

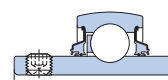
49,213 – 76,2 mm



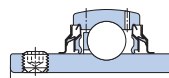
YAR ..-2F



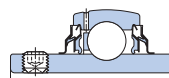
YAR ..-2RF/HV



YARAG



YAR ..-2RF



YAR ..-2RFGR/HV

YAT

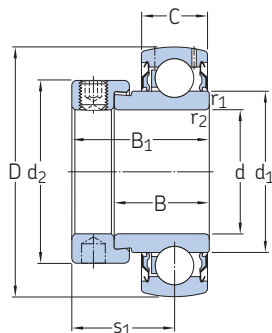
Dimensions							Basic load ratings		Fatigue load limit	Limiting speed	Mass	Designation
d	D	B	C	d ₁	s ₁	r _{1,2} min.	C	C ₀	P _u	with shaft tolerance h6	kg	–
in./mm	mm						kN	kN	kN	r/min		
1 15/16	90	38,8	22	62,5	27,6	1	35,1	23,2	0,98	4 000	0,65	YAT 210-115
49,213	90	51,6	22	62,5	32,6	1	29,6	23,2	0,98	2 200	0,79	YAR 210-115-2RF/HV
	90	51,6	22	62,5	32,6	1	29,6	23,2	0,98	2 200	0,79	YAR 210-115-2RFGR/HV
	90	51,6	22	62,5	32,6	1	35,1	23,2	0,98	800	0,77	YARAG 210-115
	90	51,6	22	62,5	32,6	1	35,1	23,2	0,98	2 200	0,79	YAR 210-115-2RF
	90	51,6	22	62,5	32,6	1	35,1	23,2	0,98	2 200	0,79	YAR 210-115-2RF/VE495
	90	51,6	22	62,5	32,6	1	35,1	23,2	0,98	4 000	0,79	YAR 210-115-2F
2	100	45	25	69	32,5	1	43,6	29	1,25	3 600	1	YAT 211-200
50,8	100	55,6	25	69	33,4	1	43,6	29	1,25	1 900	1,2	YAR 211-200-2RF
	100	55,6	25	69	33,4	1	43,6	29	1,25	3 600	1,2	▶ YAR 211-200-2F
2 3/16	100	55,6	25	69	33,4	1	43,6	29	1,25	3 600	1	YAR 211-203-2F
55,563	110	65,1	26	75,6	39,7	1,5	52,7	36	1,53	3 400	1,6	YAR 212-203-2F
2 1/4	110	48,5	26	75,6	35	1,5	52,7	36	1,53	3 400	1,25	YAT 212-204
57,15	110	65,1	26	75,6	39,7	1,5	52,7	36	1,53	3 400	1,55	YAR 212-204-2F
2 7/16	110	48,5	26	75,6	35	1,5	52,7	36	1,53	3 400	1,1	YAT 212-207
61,913	110	65,1	26	75,6	39,7	1,5	52,7	36	1,53	3 400	1,3	YAR 212-207-2F
	125	69,9	28	87	39,7	1,5	62,4	45	1,86	2 800	2,4	YAR 214-207-2F
2 1/2	120	68,3	27	82,5	42,9	1,5	57,2	40	1,7	1 600	1,9	YAR 213-208-2RF
63,5	120	68,3	27	82,5	42,9	1,5	57,2	40	1,7	3 000	1,85	▶ YAR 213-208-2F
	125	69,9	28	87	39,7	1,5	62,4	45	1,86	2 800	2,3	YAR 214-208-2F
2 11/16	120	68,3	27	82,5	42,9	1,5	57,2	40	1,7	3 000	1,6	YAR 213-211-2F
68,263												
2 15/16	130	53,5	29	92	39	1,5	66,3	49	2,04	2 600	1,75	YAT 215-215
74,613	130	73,3	29	92	46,3	1,5	66,3	49	2,04	2 600	2,15	YAR 215-215-2F
3	140	55,5	30	97,4	39	2	72,8	53	2,16	2 400	2,2	YAT 216-300
76,2	140	77,8	30	97,4	47,6	2	72,8	53	2,16	2 400	2,8	YAR 216-300-2F

▶ Popular item

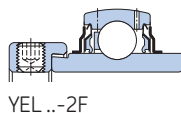


2.3 Insert bearings with an eccentric locking collar, metric shafts

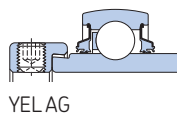
d 15 – 60 mm



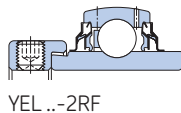
YET



YEL...-2F



YELAG



YEL...-2RF

Dimensions									Basic load ratings		Fatigue load limit	Limiting speed with shaft tolerance h6	Mass	Designation
d	D	B	B ₁	C	d ₁ ≈	d ₂	s ₁	r _{1,2} min.	dynamic	static				
mm									kN	kN	r/min	kg	–	
15	40	19,1	28,6	12	24,2	27,2	22,1	0,3	9,56	4,75	0,2	9 500	0,12	► YET 203/15
17	40	19,1	28,6	12	24,2	27,2	22,1	0,3	9,56	4,75	0,2	9 500	0,11	► YET 203
20	47	21	30,5	14	28,2	32,4	23,5	0,6	12,7	6,55	0,28	8 500	0,16	► YET 204
	47	21	30,5	14	28,2	32,4	23,5	0,6	12,7	6,55	0,28	8 500	0,16	► YET 204/VL065
	47	34,2	43,7	14	28,2	32,4	26,6	0,6	12,7	6,55	0,28	1 800	0,2	► YELAG 204
25	47	34,2	43,7	14	28,2	32,4	26,6	0,6	12,7	6,55	0,28	5 000	0,2	► YEL 204-2RF/VL065
	47	34,2	43,7	14	28,2	32,4	26,6	0,6	12,7	6,55	0,28	8 500	0,2	► YEL 204-2F
25	52	21,5	31	15	33,7	37,4	23,5	0,6	14	7,8	0,335	7 000	0,2	► YET 205
	52	21,5	31	15	33,7	37,4	23,5	0,6	14	7,8	0,335	7 000	0,2	► YET 205/VL065
	52	34,9	44,4	15	33,7	37,4	26,9	0,6	14	7,8	0,335	1 500	0,24	► YELAG 205
30	52	34,9	44,4	15	33,7	37,4	26,9	0,6	14	7,8	0,335	4 300	0,25	► YEL 205-2RF/VL065
	52	34,9	44,4	15	33,7	37,4	26,9	0,6	14	7,8	0,335	7 000	0,24	► YEL 205-2F
30	62	23,8	35,7	18	39,7	44,1	26,7	0,6	19,5	11,2	0,475	6 300	0,32	► YET 206
	62	23,8	35,7	18	39,7	44,1	26,7	0,6	19,5	11,2	0,475	6 300	0,32	► YET 206/VL065
	62	36,5	48,4	18	39,7	44,1	30,1	0,6	19,5	11,2	0,475	1 200	0,38	► YELAG 206
35	62	36,5	48,4	18	39,7	44,1	30,1	0,6	19,5	11,2	0,475	3 800	0,38	► YEL 206-2RF/VL065
	62	36,5	48,4	18	39,7	44,1	30,1	0,6	19,5	11,2	0,475	6 300	0,38	► YEL 206-2F
35	72	25,4	38,9	19	46,1	51,1	29,4	1	25,5	15,3	0,655	5 300	0,46	► YET 207
	72	25,4	38,9	19	46,1	51,1	29,4	1	25,5	15,3	0,655	5 300	0,46	► YET 207/VL065
	72	37,6	51,1	19	46,1	51,1	32,3	1	25,5	15,3	0,655	1 100	0,53	► YELAG 207
40	72	37,6	51,1	19	46,1	51,1	32,3	1	25,5	15,3	0,655	3 200	0,54	► YEL 207-2RF/VL065
	72	37,6	51,1	19	46,1	51,1	32,3	1	25,5	15,3	0,655	5 300	0,54	► YEL 207-2F
40	80	29,7	43,2	21	51,8	56,5	32,7	1	30,7	19	0,8	4 800	0,6	► YET 208
	80	29,7	43,2	21	51,8	56,5	32,7	1	30,7	19	0,8	4 800	0,6	► YET 208/VL065
	80	42,8	56,3	21	51,8	56,5	34,9	1	30,7	19	0,8	950	0,69	► YELAG 208
40	80	42,8	56,3	21	51,8	56,5	34,9	1	30,7	19	0,8	2 800	0,71	► YEL 208-2RF/VL065
	80	42,8	56,3	21	51,8	56,5	34,9	1	30,7	19	0,8	4 800	0,7	► YEL 208-2F

► Popular item

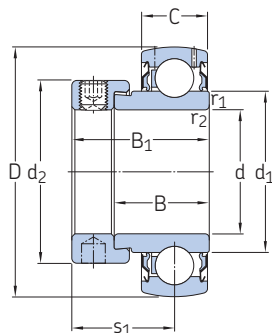
Dimensions									Basic load ratings		Fatigue load limit	Limiting speed with shaft tolerance h6	Mass	Designation
d	D	B	B ₁	C	d ₁ ≈	d ₂	s ₁	r _{1,2} min.	C	C ₀				
mm									kN	kN	r/min	kg	–	
45	85	30,2	43,7	22	56,8	62	32,7	1	33,2	21,6	0,915	4 300	0,68	▶ YET 209
	85	42,8	56,3	22	56,8	62	34,9	1	33,2	21,6	0,915	850	0,78	▶ YELAG 209
	85	42,8	56,3	22	56,8	62	34,9	1	33,2	21,6	0,915	4 300	0,79	▶ YEL 209-2F
50	90	30,2	43,7	22	62,5	67,2	32,7	1	35,1	23,2	0,98	4 000	0,74	▶ YET 210
	90	49,2	62,7	22	62,5	67,2	38,1	1	35,1	23,2	0,98	800	0,9	▶ YELAG 210
	90	49,2	62,7	22	62,5	67,2	38,1	1	35,1	23,2	0,98	4 000	0,92	▶ YEL 210-2F
55	100	32,6	48,4	25	69	74,5	35,9	1	43,6	29	1,25	3 600	1,05	▶ YET 211
	100	55,6	71,4	25	69	74,5	43,6	1	43,6	29	1,25	3 600	1,3	▶ YEL 211-2F
60	110	36,7	52,6	26	75,6	82	39,6	1,5	52,7	36	1,53	3 400	1,35	▶ YET 212
	110	61,9	77,8	26	75,6	82	46,8	1,5	52,7	36	1,53	3 400	1,7	▶ YEL 212-2F



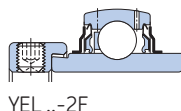
2.4 Insert bearings with an eccentric locking collar, inch shafts

d 1/2 – 2 7/16 in.

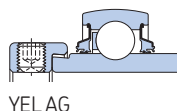
12,7 – 61,913 mm



YET



YEL ..-2F



YELAG

Dimensions										Basic load ratings		Fatigue load limit	Limiting speed with shaft tolerance h6	Mass	Designation
d	D	B	B ₁	C	d ₁	d ₂	s ₁	r _{1,2}	r _{1,2} min.	C	C ₀				
in./mm	mm									kN		kN	r/min	kg	–
1/2 12,7	40	19,1	28,6	12	24,2	27,2	22,1	0,3		9,56	4,75	0,2	9 500	0,13	YET 203-008
3/4 19,05	47	21	30,5	14	28,2	32,4	23,5	0,6		12,7	6,55	0,28	8 500	0,17	► YET 204-012
	47	34,2	43,7	14	28,2	32,4	26,6	0,6		12,7	6,55	0,28	8 500	0,21	YEL 204-012-2F
1 25,4	52	21,5	31	15	33,7	37,4	23,5	0,6		14	7,8	0,335	7 000	0,19	► YET 205-100
	52	34,9	44,4	15	33,7	37,4	26,9	0,6		14	7,8	0,335	1 500	0,23	YELAG 205-100
	52	34,9	44,4	15	33,7	37,4	26,9	0,6		14	7,8	0,335	7 000	0,24	YEL 205-100-2F
1 1/8 28,575	62	23,8	35,7	18	39,7	44,1	26,7	0,6		19,5	11,2	0,475	6 300	0,34	YET 206-102
	62	36,5	48,4	18	39,7	44,1	30,1	0,6		19,5	11,2	0,475	1 200	0,4	YELAG 206-102
	62	36,5	48,4	18	39,7	44,1	30,1	0,6		19,5	11,2	0,475	6 300	0,41	YEL 206-102-2F
1 3/16 30,163	62	23,8	35,7	18	39,7	44,1	26,7	0,6		19,5	11,2	0,475	6 300	0,32	YET 206-103
	62	36,5	48,4	18	39,7	44,1	30,1	0,6		19,5	11,2	0,475	1 200	0,37	YELAG 206-103
	62	36,5	48,4	18	39,7	44,1	30,1	0,6		19,5	11,2	0,475	6 300	0,38	YEL 206-103-2F
1 1/4 31,75	62	23,8	35,7	18	39,7	44,1	26,7	0,6		19,5	11,2	0,475	6 300	0,3	YET 206-104
	72	25,4	38,9	19	46,1	51,1	29,4	1		25,5	15,3	0,655	5 300	0,51	YET 207-104
	72	37,6	51,1	19	46,1	51,1	32,3	1		25,5	15,3	0,655	1 100	0,6	YELAG 207-104
	72	37,6	51,1	19	46,1	51,1	32,3	1		25,5	15,3	0,655	5 300	0,61	YEL 207-104-2F
1 5/16 33,338	72	25,4	38,9	19	46,1	51,1	29,4	1		25,5	15,3	0,655	5 300	0,49	YET 207-105
1 3/8 34,925	72	25,4	38,9	19	46,1	51,1	29,4	1		25,5	15,3	0,655	5 300	0,46	YET 207-106
	72	37,6	51,1	19	46,1	51,1	32,3	1		25,5	15,3	0,655	1 100	0,54	YELAG 207-106
	72	37,6	51,1	19	46,1	51,1	32,3	1		25,5	15,3	0,655	5 300	0,55	YEL 207-106-2F
1 7/16 36,513	72	25,4	38,9	19	46,1	51,1	29,4	1		25,5	15,3	0,655	5 300	0,44	YET 207-107
	72	37,6	51,1	19	46,1	51,1	32,3	1		25,5	15,3	0,655	1 100	0,5	YELAG 207-107
	72	37,6	51,1	19	46,1	51,1	32,3	1		25,5	15,3	0,655	5 300	0,51	YEL 207-107-2F
1 1/2 38,1	80	29,7	43,2	21	51,8	56,5	32,7	1		30,7	19	0,8	4 800	0,64	► YET 208-108
	80	42,8	56,3	21	51,8	56,5	34,9	1		30,7	19	0,8	950	0,74	YELAG 208-108
	80	42,8	56,3	21	51,8	56,5	34,9	1		30,7	19	0,8	4 800	0,76	YEL 208-108-2F
1 11/16 42,863	85	30,2	43,7	22	56,8	62	32,7	1		33,2	21,6	0,915	4 300	0,73	YET 209-111
	85	42,8	56,3	22	56,8	62	34,9	1		33,2	21,6	0,915	850	0,84	YELAG 209-111
	85	42,8	56,3	22	56,8	62	34,9	1		33,2	21,6	0,915	4 300	0,86	YEL 209-111-2F

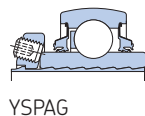
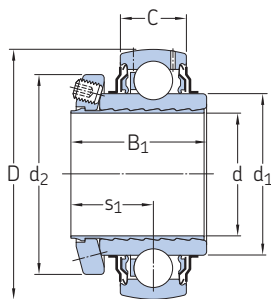
► Popular item

Dimensions									Basic load ratings		Fatigue load limit	Limiting speed with shaft tolerance h6	Mass	Designation
d	D	B	B ₁	C	d ₁ ≈	d ₂	s ₁	r _{1,2} min.	C	C ₀	P _u			
in./mm	mm								kN		kN	r/min	kg	–
1 3/4	85	30,2	43,7	22	56,8	62	32,7	1	33,2	21,6	0,915	4 300	0,69	YET 209-112
44,45	85	42,8	56,3	22	56,8	62	34,9	1	33,2	21,6	0,915	850	0,8	YELAG 209-112
	85	42,8	56,3	22	56,8	62	34,9	1	33,2	21,6	0,915	4 300	0,81	YEL 209-112-2F
1 15/16	90	49,2	62,7	22	62,5	67,2	38,1	1	35,1	23,2	0,98	800	0,94	YELAG 210-115
49,213	90	49,2	62,7	22	62,5	67,2	38,1	1	35,1	23,2	0,98	4 000	0,95	YEL 210-115-2F
2	100	55,6	71,4	25	69	74,5	43,6	1	43,6	29	1,25	3 600	1,5	YEL 211-200-2F
50,8														
2 3/16	100	55,6	71,4	25	69	74,5	43,6	1	43,6	29	1,25	3 600	1,25	YEL 211-203-2F
55,563														
2 7/16	110	36,7	52,6	26	75,6	82	39,6	1,5	52,7	36	1,53	3 400	1,25	YET 212-207
61,913	110	61,9	77,8	26	75,6	82	46,8	1,5	52,7	36	1,53	3 400	1,6	YEL 212-207-2F



2.5 SKF ConCentra insert bearings, metric shafts

d 25 – 60 mm



YSP .. SB-2F

Dimensions							Basic load ratings		Fatigue load limit	Limiting speed	Mass	Designation
d	D	B ₁ ¹⁾	C	d ₁	d ₂	s ₁ ¹⁾	C	C ₀	P _u			
mm							kN			r/min	kg	–
25	52	33,2	15	33,7	41,7	21,2	14	7,8	0,335	1 500	0,18	YSPAG 205
	52	33,2	15	33,7	41,7	21,2	14	7,8	0,335	7 000	0,19	YSP 205 SB-2F
30	62	37,2	18	39,7	48	23,2	19,5	11,2	0,475	1 200	0,3	YSPAG 206
	62	37,2	18	39,7	48	23,2	19,5	11,2	0,475	6 300	0,31	YSP 206 SB-2F
35	72	39,7	19	46,1	57	24,5	25,5	15,3	0,655	1 100	0,44	YSPAG 207
	72	39,7	19	46,1	57	24,5	25,5	15,3	0,655	5 300	0,45	▶ YSP 207 SB-2F
40	80	43,1	21	51,8	62	26,2	30,7	19	0,8	950	0,58	YSPAG 208
	80	43,1	21	51,8	62	26,2	30,7	19	0,8	4 800	0,59	▶ YSP 208 SB-2F
45	85	44,2	22	56,8	67	26,7	33,2	21,6	0,915	850	0,64	YSPAG 209
	85	44,2	22	56,8	67	26,7	33,2	21,6	0,915	4 300	0,66	YSP 209 SB-2F
50	90	46,2	22	62,5	72	27,7	35,1	23,2	0,98	800	0,72	YSPAG 210
	90	46,2	22	62,5	72	27,7	35,1	23,2	0,98	4 000	0,74	▶ YSP 210 SB-2F
55	100	49,2	25	69	77,6	29,2	43,6	29	1,25	3 600	0,98	YSP 211 SB-2F
60	110	51,7	26	75,6	83	30,5	52,7	36	1,53	3 400	1,25	YSP 212 SB-2F

▶ Popular item

¹⁾ Width/distance before the grub screw is tightened (sleeve and inner ring bore at starting position).

2.6 SKF ConCentra insert bearings, inch shafts

d 1 – 2 11/16 in.

25,4 – 68,263 mm

Dimensions							Basic load ratings		Fatigue load limit	Limiting speed	Mass	Designation
d	D	B ₁ ¹⁾	C	d ₁	d ₂	s ₁ ¹⁾	dynamic	static				
in./mm	mm	≈		≈		≈	kN		kN	r/min	kg	–
1	52	33,2	15	33,74	41,7	21,2	14	7,8	0,335	1 500	0,18	YSPAG 205-100
25,4	52	33,2	15	33,74	41,7	21,2	14	7,8	0,335	7 000	0,18	YSP 205-100 SB-2F
1 3/16	62	37,2	18	39,7	48	23,2	19,5	11,2	0,475	1 200	0,3	YSPAG 206-103
30,163	62	37,2	18	39,7	48	23,2	19,5	11,2	0,475	6 300	0,3	YSP 206-103 SB-2F
1 1/4	72	39,7	19	46,1	57	24,5	25,5	15,3	0,655	1 100	0,49	YSPAG 207-104
31,75	72	39,7	19	46,1	57	24,5	25,5	15,3	0,655	5 300	0,5	YSP 207-104 SB-2F
1 3/8	72	39,7	19	46,1	57	24,5	25,5	15,3	0,655	1 100	0,44	YSPAG 207-106
34,925	72	39,7	19	46,1	57	24,5	25,5	15,3	0,655	5 300	0,45	YSP 207-106 SB-2F
1 7/16	72	39,7	19	46,1	57	24,5	25,5	15,3	0,655	1 100	0,42	YSPAG 207-107
36,513	72	39,7	19	46,1	57	24,5	25,5	15,3	0,655	5 300	0,42	YSP 207-107 SB-2F
1 1/2	80	43,1	21	51,8	62	26,2	30,7	19	0,8	950	0,61	YSPAG 208-108
38,1	80	43,1	21	51,8	62	26,2	30,7	19	0,8	4 800	0,62	YSP 208-108 SB-2F
1 11/16	85	44,2	22	56,8	67	26,7	33,2	21,6	0,915	850	0,69	YSPAG 209-111
42,863	85	44,2	22	56,8	67	26,7	33,2	21,6	0,915	4 300	0,7	YSP 209-111 SB-2F
1 15/16	90	46,2	22	62,51	72	27,7	35,1	23,2	0,98	800	0,74	YSPAG 210-115
49,213	90	46,2	22	62,51	72	27,7	35,1	23,2	0,98	4 000	0,76	YSP 210-115 SB-2F
2	100	49,2	25	69,06	77,6	29,2	43,6	29	1,25	3 600	1,1	YSP 211-200 SB-2F
50,8												
2 3/16	100	49,2	25	69,06	77,6	29,2	43,6	29	1,25	3 600	0,97	YSP 211-203 SB-2F
55,563												
2 1/4	110	51,7	26	75,64	83	30,5	52,7	36	1,53	3 400	1,35	YSP 212-204 SB-2F
57,15												
2 7/16	110	51,7	26	75,64	87,6	30,5	52,7	36	1,53	3 400	1,2	YSP 212-207 SB-2F
61,913												
2 11/16	120	52,7	27	82,5	89,4	31	57,2	40	1,7	3 000	1,4	YSP 213-211 SB-2F
68,263												

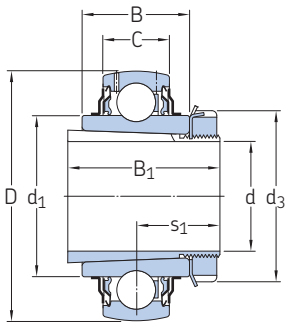
► Popular item

¹⁾ Width/distance before the grub screw is tightened (sleeve and inner ring bore at starting position).



2.7 Insert bearings with a tapered bore on an adapter sleeve, metric shafts

d 20 – 60 mm



2.7

Dimensions								Basic load ratings		Fatigue load limit	Limiting speed	Mass Bearing + sleeve	Designations Bearing	Adapter sleeve
d	D	B	B ₁	C	d ₁	d ₃	s ₁ ¹⁾	C	C ₀	P _u				
mm								kN		kN	r/min	kg	–	
20	52	24	35	15	33,7	38	20,5	14	7,8	0,335	7 000	0,25	YSA 205-2FK	H 2305
25	62	28	38	18	39,7	45	22,5	19,5	11,2	0,475	6 300	0,38	YSA 206-2FK	H 2306
30	72	30,5	43	19	46,1	52	24,8	25,5	15,3	0,655	5 300	0,54	YSA 207-2FK	H 2307
35	80	33,9	46	21	51,8	58	27,5	30,7	19	0,8	4 800	0,71	YSA 208-2FK	H 2308
40	85	35	50	22	56,8	65	29	33,2	21,6	0,915	4 300	0,84	YSA 209-2FK	H 2309
45	90	37	55	22	62,5	70	31,1	35,1	23,2	0,98	4 000	0,97	YSA 210-2FK	H 2310
50	100	40	59	25	69	75	32,5	43,6	29	1,25	3 600	1,25	YSA 211-2FK	H 2311
55	110	42,5	62	26	75,6	80	33,8	52,7	36	1,53	3 400	1,55	YSA 212-2FK	H 2312
60	120	43,5	65	27	82,5	85	35,3	57,2	40	1,7	3 000	1,9	YSA 213-2FK	H 2313

¹⁾ Distance before the sleeve is driven into the bearing bore (sleeve and inner ring bore at starting position).

2.8 Insert bearings with a tapered bore on an adapter sleeve, inch shafts

d 3/4 – 2 1/4 in.

19,05 – 57,15 mm

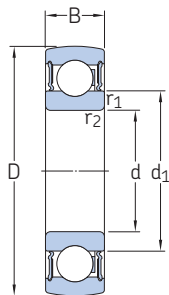
Dimensions								Basic load ratings		Fatigue load limit	Limiting speed	Mass Bearing + sleeve	Designations Bearing	Adapter sleeve
d	D	B	B ₁	C	d ₁ ≈	d ₃	s ₁ ¹⁾ ≈	C	C ₀	P _u				
in./mm	mm							kN			r/min	kg		
3/4 19,05	52	24	35	15	33,74	38	20,5	14	7,8	0,335	7 000	0,25	YSA 205-2FK	HE 2305
15/16 23,813	62	28	38	18	39,7	45	22,5	19,5	11,2	0,475	6 300	0,39	YSA 206-2FK	HA 2306
1 25,4	62	28	38	18	39,7	45	22,5	19,5	11,2	0,475	6 300	0,37	YSA 206-2FK	HE 2306
1.187 30,136	72	30,5	43	19	46,1	52	24,8	25,5	15,3	0,655	5 300	0,54	YSA 207-2FK	HA 2307
1 1/4 31,75	80	33,9	46	21	51,8	58	27,5	30,7	19	0,8	4 800	0,77	YSA 208-2FK	HE 2308
1 7/16 36,513	85	35	50	22	56,8	65	29	33,2	21,6	0,915	4 300	0,92	YSA 209-2FK	HA 2309
1 1/2 38,1	85	35	50	22	56,8	65	29	33,2	21,6	0,915	4 300	0,88	YSA 209-2FK	HE 2309
1 11/16 42,863	90	37	55	22	62,51	70	31,1	35,1	23,2	0,98	4 000	1,05	YSA 210-2FK	HA 2310
1 3/4 44,45	90	37	55	22	62,51	70	31,1	35,1	23,2	0,98	4 000	0,98	YSA 210-2FK	HE 2310
1 15/16 49,213	100	40	59	25	69,06	75	32,5	43,6	29	1,25	3 600	1,3	YSA 211-2FK	HA 2311
2 50,8	100	40	59	25	69,06	75	32,5	43,6	29	1,25	3 600	1,2	YSA 211-2FK	HE 2311 B
2 3/16 55,563	120	43,5	65	27	82,5	85	35,3	57,2	40	1,7	3 000	2,1	YSA 213-2FK	HA 2313
2 1/4 57,15	120	43,5	65	27	82,5	85	35,3	57,2	40	1,7	3 000	2,05	YSA 213-2FK	HE 2313

¹⁾ Distance before the sleeve is driven into the bearing bore (sleeve and inner ring bore at starting position).



2.9 Insert bearings with a standard inner ring, metric shafts

d 17 – 60 mm



B-2RS1/VP274

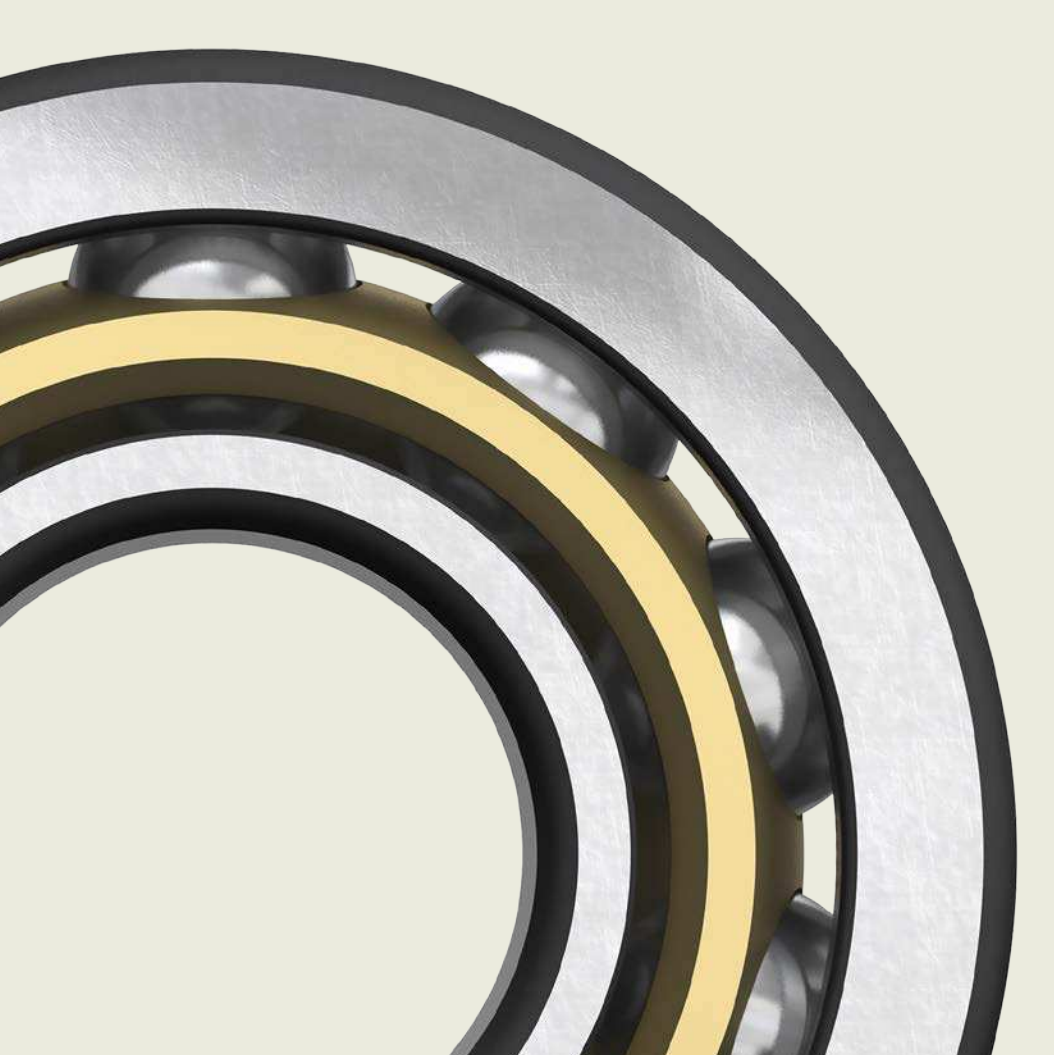
-2RS1

Dimensions					Basic load ratings		Fatigue load limit	Limiting speed	Mass	Designation
d	D	B	d ₁ ≈	r _{1,2} min.	C	C ₀	P _u			
mm					kN		kN	r/min	kg	–
17	40	12	24,5	0,6	9,56	4,75	0,2	12 000	0,06	▶ 1726203-2RS1
20	47	14	28,8	1	12,7	6,55	0,28	10 000	0,1	▶ 1726204-2RS1
25	52	15	34,3	1	14	7,8	0,335	8 500	0,12	▶ 1726205-2RS1
	62	17	36,6	1,1	22,5	11,6	0,49	7 500	0,22	1726305-2RS1
30	62	16	40,3	1	19,5	11,2	0,475	7 500	0,19	▶ 1726206-2RS1
	72	19	44,6	1,1	28,1	16	0,67	6 300	0,34	1726306-2RS1
35	72	17	46,9	1,1	25,5	15,3	0,655	6 300	0,28	▶ 1726207-2RS1
	80	21	49,5	1,5	33,2	19	0,815	6 000	0,44	▶ 1726307-2RS1
40	80	18	52,6	1,1	30,7	19	0,8	5 600	0,35	▶ 1726208-2RS1
	90	23	56,1	1,5	41	24	1	5 000	0,61	▶ 1726308-2RS1
45	85	19	56,6	1	33,2	21,6	0,915	4 300	0,39	1726209 B-2RS1/VP274
	85	19	56,6	1	33,2	21,6	0,915	5 000	0,4	▶ 1726209-2RS1
	100	25	62,1	1,5	52,7	31,5	1,34	4 500	0,8	1726309-2RS1
	100	25	62,1	1,5	52,7	31,5	1,34	4 500	0,81	1726309 B-2RS1/VP274
50	90	20	62,5	1,1	35,1	23,2	0,98	4 800	0,44	▶ 1726210-2RS1
	110	27	68,7	2	61,8	38	1,6	4 300	1	1726310 B-2RS1/VP274
	110	27	68,7	2	61,8	38	1,6	4 300	1,05	1726310-2RS1
55	100	21	69	1,5	43,6	29	1,25	4 300	0,6	▶ 1726211-2RS1
60	110	22	75,5	1,5	52,7	36	1,53	4 000	0,77	▶ 1726212-2RS1

▶ Popular items

¹⁾ Width/distance before the grub screw is tightened (sleeve and inner ring bore at starting position).





3

Angular contact ball bearings



3 Angular contact ball bearings

Designs and variants	385	Designation system	404
Single row angular contact ball bearings	385		
Basic design bearings	385	Product tables	
Bearings for universal matching	385	3.1 Single row angular contact ball bearings	406
Bearings with 25° contact angle (AC series)	386	3.2 Double row angular contact ball bearings	424
Double row angular contact ball bearings	386	3.3 Capped double row angular contact ball bearings ..	428
Basic design bearings	386	3.4 Four-point contact ball bearings	430
Bearings with a two-piece inner ring	386		
Four-point contact ball bearings	387		
Bearings with locating slots	387		
SKF Explorer bearings	387		
Capped bearings	388		
Greases for capped bearings	389		
Grease life for capped bearings	389		
Cages	390		
Bearing data	392		
(Dimension standards, tolerances, contact angle, internal clearance, preload, permissible misalignment)			
Loads	398		
(Minimum load, equivalent dynamic bearing load, equivalent static bearing load)			
Calculating the axial load for bearings mounted singly or paired in tandem	400		
Load carrying capacity of bearing pairs	400		
Temperature limits	402		
Permissible speed	402		
Design considerations	403		
Single row angular contact ball bearings	403	Other angular contact ball bearings	
Proper adjustment	403	Cam rollers	931
Axial loads in one direction	403	Bearings with Solid Oil	1023
Load ratio	403	NoWear coated bearings	1059
Four-point contact ball bearings	403	Super-precision bearings	→ skf.com/super-precision
Used as a thrust bearing	403	Hybrid bearings	→ skf.com/super-precision
Load ratio	403		

3 Angular contact ball bearings

More information

General bearing knowledge	17
Bearing selection process	59
Lubrication	109
Bearing interfaces	139
Seat tolerances for standard conditions	148
Selecting internal clearance or preload	182
Sealing, mounting and dismounting	193

Mounting instructions for individual bearings → skf.com/mount

Angular contact ball bearings have inner and outer ring raceways that are displaced relative to each other in the direction of the bearing axis. This means that these bearings are designed to accommodate combined loads, i.e. simultaneously acting radial and axial loads.

The axial load carrying capacity of angular contact ball bearings increases as the contact angle increases. The contact angle is defined as the angle between the line joining the points of contact of the ball and the raceways in the radial plane, along which the combined load is transmitted from one raceway to another, and a line perpendicular to the bearing axis (fig. 1).

The most commonly used designs are:

- single row angular contact ball bearings (fig. 2)
- double row angular contact ball bearings (fig. 3)
- four-point contact ball bearings (fig. 4)

In addition to the bearings presented in this catalogue, other angular contact ball bearings include:

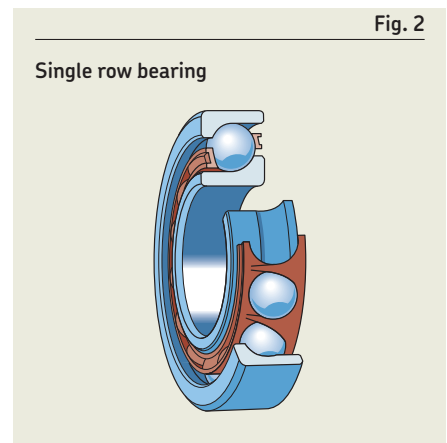
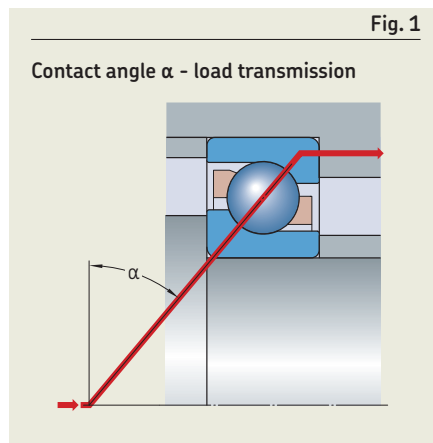
- **Super-precision angular contact ball bearings**

→ skf.com/super-precision

- **Fixed section angular contact ball bearings**

These bearings have very thin rings and a constant cross-sectional height within a particular series, irrespective of the bearing size. They are characterized by a low weight and high stiffness. SKF fixed section bearings have inch sizes and are available open or sealed in up to eight different cross-sectional heights. The designs include:

- single row angular contact ball bearings
- four-point contact ball bearings



- **Hub bearing units**

Hub bearing units (HBU) for the automotive industry are based on double row angular contact ball bearings. They have made an appreciable contribution to the achievement of more compact weight-saving designs, simplified assembly and enhanced reliability.

Detailed information about these products and variants for industrial applications can be supplied on request.

Bearing features

- **Accommodate combined loads**

- Axial loads in one direction only for single row bearings
- Axial loads in either direction for double row and four-point contact bearings

- **High load carrying capacity**

- The lower shoulder enables a large number of balls to be incorporated in single row bearings, giving them their relatively high load carrying capacity.
- Because of the second row of balls, a large number of balls are incorporated in double row bearings, giving them their high load carrying capacity.
- A large number of balls are incorporated in four-point contact bearings, giving them their high load carrying capacity.

- **Good running properties**

High speeds, rapid accelerations and decelerations are possible.

Designs and variants

Single row angular contact ball bearings

SKF single row angular contact ball bearings (fig. 2) can accommodate axial loads in one direction only. This type of bearing is typically adjusted against a second bearing. Their bearing rings have an upper and a lower shoulder and are non-separable.

SKF standard assortment

- bearings in the 72 B(E) and 73 B(E) series with 40° contact angle
- some sizes in the 70 B series
- sealed bearings:
 - in series 72 B(E) ($15 \leq d \leq 55$ mm)
 - in series 73 B(E) ($12 \leq d \leq 50$ mm)
- bearings in the 72 AC series with 25° contact angle ($15 \leq d \leq 70$ mm)
- bearings in the 73 AC series with 25° contact angle ($17 \leq d \leq 70$ mm)
- some large size bearings with a flanged outer ring (skf.com/go/17000-3-1)
- SKF inch bearings (ALS and AMS series, skf.com/go/17000-3-1)

Basic design bearings

- are intended for adjusted arrangements where only one bearing is used at each bearing position and are not suitable for mounting immediately adjacent to each other
- have Normal tolerances on bearing width and standout of the rings
- have different performance capabilities compared with SKF Explorer bearings

Bearings for universal matching

- are available with 25° and 40° contact angles
- are intended to be used in sets
- have ring widths and standouts manufactured to tight tolerances
- can also be used in place of basic design bearings for arrangements with single bearings, as they typically have higher precision, and increased load carrying capacity and speed capability

When two bearings are mounted immediately adjacent to each other, a given internal clearance or preload or an even load distribution between the two bearings is obtained without the use of shims or similar devices.

Bearings for universal matching are identified by the following suffixes:

- CA, CB, CC or G for internal clearance
- GA, GB or GC for preload

When ordering, indicate the number of individual bearings required and not the number of sets.

Fig. 3

Double row bearing

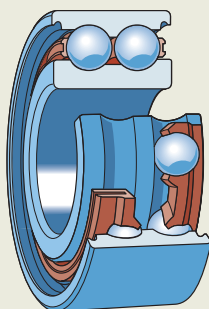
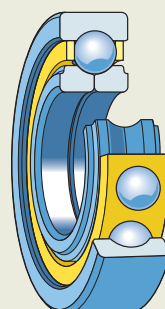


Fig. 4

Four-point contact bearing



3 Angular contact ball bearings

Paired mounting

Paired mounting can be done in three ways (fig. 5):

- **Tandem arrangement**

- is used where the load carrying capacity of a single bearing is inadequate
- shares the radial and axial loads equally
- has parallel load lines
- can accommodate axial loads in one direction only

If axial loads act in both directions, a third bearing, adjusted against the tandem pair, must be added.

- **Back-to-back arrangement**

- provides a relatively stiff bearing arrangement
- can accommodate tilting moments
- has load lines that diverge from the bearing axis
- can accommodate axial loads in both directions, but only by one bearing in each direction

- **Face-to-face arrangement**

- is less sensitive to misalignment but not as stiff as a back-to-back arrangement
- has load lines that converge towards the bearing axis
- can accommodate axial loads in both directions, but only by one bearing in each direction

Bearings with 25° contact angle (AC series)

- have a raceway geometry optimized for high speeds
- have reduced sensitivity to axial loading and misalignment, including the ability to accommodate two times higher impact loads before edge stresses can occur
- are equipped with an optimized machined brass cage as standard

Compared with bearings with 40° contact angle, benefits include:

- 20% higher limiting speeds
- higher radial load carrying capacity (by trading off lower axial load carrying capacity)
- increased robustness when used as the backup bearing in sets that are predominantly loaded in one direction

Double row angular contact ball bearings

The design of SKF double row angular contact ball bearings (fig. 3, page 385) corresponds to two single row angular contact ball bearings arranged back-to-back, but takes up less axial space. They can accommodate radial loads, axial loads in either direction and tilting moments. Double row angular contact ball bearings provide stiff bearing arrangements.

SKF standard assortment

- bearings in the 32 A and 33 A series
- bearings with a two-piece inner ring
- capped bearings
- open bearings (that are also available capped) that may have recesses in the ring side faces

Bearings in the 52 and 53 series are no longer available and have been replaced with 32 A and 33 A series bearings, which are dimensionally interchangeable. Only size 3200 A is different, and has a width of 14 mm instead of 14,3 mm.

Basic design bearings

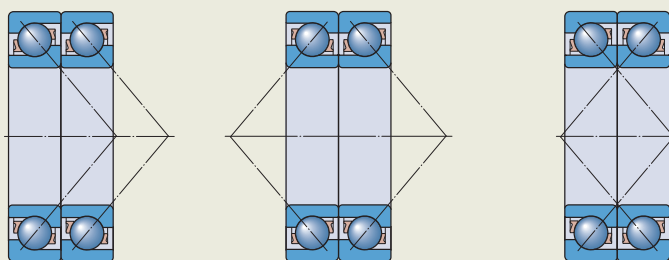
- have different tolerances and performance capabilities compared with SKF Explorer bearings

Bearings with a two-piece inner ring

- incorporate a larger number of balls, and have a larger contact angle, giving the bearing its high load carrying capacity, especially in the axial direction
- are separable in the 33 D series (fig. 6), i.e. the outer ring with ball and cage assemblies can be mounted independently of the inner ring halves
- are non-separable in the 33 DNRCBM series (fig. 6)
 - have a snap ring groove with a snap ring in the outer ring, enabling simple and space-saving axial location in the housing
 - have been designed specifically for centrifugal pumps, but can also be used in other applications

Fig. 5

Paired mounting



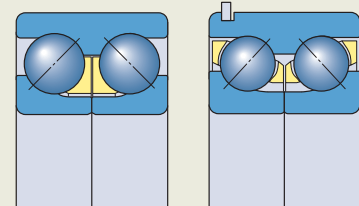
Tandem arrangement

Back-to-back arrangement

Face-to-face arrangement

Fig. 6

Double row bearings with a two-piece inner ring



33 D

33 DNRCBM

Four-point contact ball bearings

Four-point contact ball bearings (fig. 4, page 385) are radial single row angular contact ball bearings with raceways that are designed to support axial loads in both directions. For a given axial load, a limited radial load can also be supported (*Load ratio*, page 403). The bearings are separable, i.e. the outer ring with ball and cage assembly can be mounted separately from the two inner ring halves.

These bearings take up considerably less axial space than double row bearings.

Both inner ring halves of SKF Explorer four-point contact ball bearings have a recessed shoulder. This improves oil flow when the bearing is used in combination with an SKF cylindrical roller bearing (fig. 12, page 403). In addition, these recesses can be used to facilitate dismounting.

When four-point contact ball bearings are subjected to high clamping forces their inner ring deformation is limited.

SKF standard assortment

- bearings in the QJ 2 and QJ 3 series
- some sizes in the QJ 10 and QJ 12 series (skf.com/go/17000-3-4)

Bearings with locating slots

Four-point contact ball bearings can be supplied with two locating slots in the outer ring (designation suffix N2, fig. 7):

- preventing the bearing from turning
- positioned 180° apart

The dimensions and tolerances of the locating slots are in accordance with ISO 20515 and are listed in table 1.

SKF Explorer bearings

For information, refer to page 7

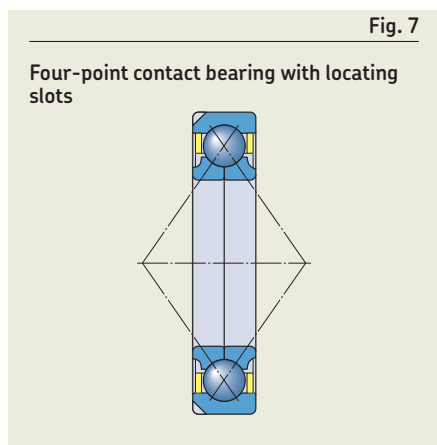
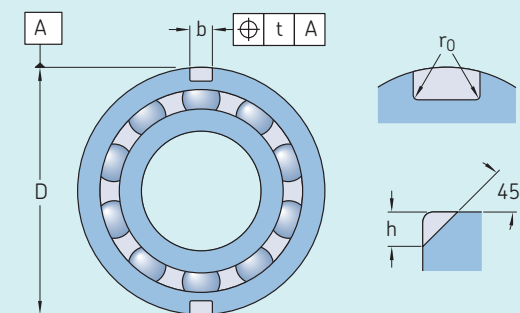


Table 1

Locating slots in the outer ring of four-point contact ball bearings



Outside diameter		Dimensions						Tolerance ¹⁾	
		Diameter series 2			Diameter series 3				
D		h	b	r ₀	h	b	r ₀	t	U
>	≤								
mm		mm						mm	
35	45	2,5	3,5	0,5	–	–	–	0,2	
45	60	3	4,5	0,5	3,5	4,5	0,5	0,2	
60	72	3,5	4,5	0,5	3,5	4,5	0,5	0,2	
72	95	4	5,5	0,5	4	5,5	0,5	0,2	
95	115	5	6,5	0,5	5	6,5	0,5	0,2	
115	130	6,5	6,5	0,5	8,1	6,5	1	0,2	
130	145	8,1	6,5	1	8,1	6,5	1	0,2	
145	170	8,1	6,5	1	10,1	8,5	2	0,2	
170	190	10,1	8,5	2	11,7	10,5	2	0,2	
190	210	10,1	8,5	2	11,7	10,5	2	0,2	
210	240	11,7	10,5	2	11,7	10,5	2	0,2	
240	270	11,7	10,5	2	11,7	10,5	2	0,2	
270	400	12,7	10,5	2	12,7	10,5	2	0,4	

¹⁾ Other tolerances are in accordance with ISO 20515.

Capped bearings

SKF supplies the following angular contact ball bearings capped with a shield or seal on both sides:

- single row bearings in the 72 B(E) and 73 B(E) series:
 - non-contact seals (designation suffix 2RZ, [fig. 8](#))
- most common double row basic design and SKF Explorer bearings:
 - shields (designation suffix 2Z, [fig. 9](#))
 - contact seals (designation suffix 2RS1, [fig. 10](#))

For additional information, refer to *Integral sealing*, [page 26](#).

When capped bearings must operate under certain conditions, such as very high speeds or high temperatures, grease may appear between the inner ring and capping device. For bearing arrangements where this would be detrimental, appropriate actions should be taken.

Shields

- are made of sheet steel
- extend into a recess on the inner ring

Non-contact seals

- have no additional frictional moment
- have the same limiting speeds as open bearings
- form an extremely narrow gap with the inner ring shoulder
- are made of sheet steel reinforced NBR (oil and wear-resistant)
- make good, positive contact with the recess in which they are fitted

Contact seals

- are made of NBR
- are reinforced with a sheet steel insert
- are fitted in a recess on the outer ring and make good, positive contact with the recess
- have a lip that exerts light pressure against the recess on the inner ring to provide an effective seal

Fig. 8

Capped bearing – non-contact seals

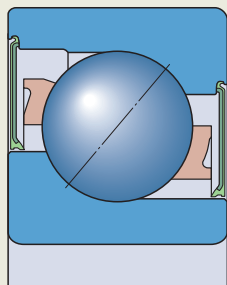


Fig. 9

Capped bearing – shields

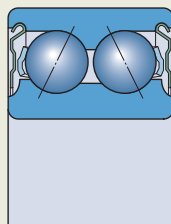
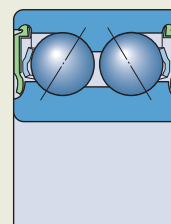


Fig. 10

Capped bearing – contact seals



Greases for capped bearings

Bearings capped on both sides are lubricated for the life of the bearing and are virtually maintenance-free. They are filled with one of the following greases (table 2):

- single row bearings
 - as standard → GXN
- double row bearings
 - as standard → GJN
 - in Europe → MT33 (commonly used and widely available)
 - low-friction grease → GE2
- other greases (table 2) can be supplied on request

The standard grease is not identified in the bearing designation (no designation suffix). Other greases are indicated by the corresponding grease suffix.

Grease life for capped bearings

Grease life for capped angular contact ball bearings can be estimated as described for deep groove ball bearings (page 246). The required grease information is provided in table 2.

Table 2

Technical specifications of SKF standard and special greases for capped angular contact ball bearings

Grease	Temperature range ¹⁾								Thickener	Base oil type	NLGI grade	Base oil viscosity [mm ² /s]		Grease performance factor (GPF)
	-50	0	50	100	150	200	250	°C				at 40 °C (105 °F)	at 100 °C (210 °F)	
GXN									Polyurea	Mineral	2-3	96	10,5	2
GJN									Polyurea	Mineral	2	115	12,2	2
MT33									Lithium soap	Mineral	3	100	10	1
VT113									Lithium complex	Mineral	3	113	12,1	1
WT									Polyurea	Ester	2-3	70	9,4	4
GWF									Polyurea	Synthetic hydrocarbon	2-3	67,5	9,6	4
GE2									Lithium	Synthetic	2	25	4,9	2

¹⁾ Refer to the SKF traffic light concept (page 117).

Cages

SKF angular contact ball bearings are fitted with one or two (double row bearings) of the cages shown in [table 3](#).

The standard cages of double row bearings are either made of PA66 or of stamped steel.

The machined brass cage (designation suffix M) of single row bearings has been upgraded as follows:

- optimized cage pocket geometry
- a smaller cross section and reduced mass
- increased material strength with reduced lead content

When used at high temperatures, some lubricants can have a detrimental effect on polyamide cages. For additional information about the suitability of cages, refer to *Cages*, [page 187](#).

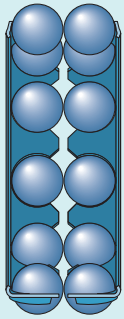
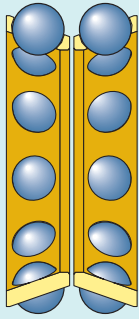
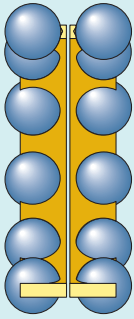
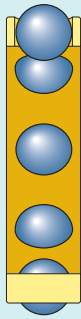
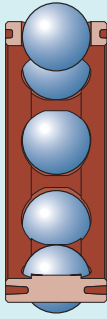


Cages for angular contact ball bearings

	Single row angular contact ball bearings			Double row angular contact ball bearings		
Cage type	Window-type, ball centred		Window-type, ball centred	Snap-type, ball centred	Snap-type, ball centred	
Material	PA66, glass fibre reinforced	PEEK, glass fibre reinforced	Stamped brass, stamped steel	Machined brass, machined steel ¹⁾	PA66, glass fibre reinforced	Stamped steel
Suffix	P	PH	Y, J	M, F ¹⁾	TN9	-, J1

¹⁾ Check availability prior to ordering

Table 3

Four-point contact ball bearings				
				
Snap-type, crown, ball centred	Window-type, ball centred	Prong-type, outer ring centred	Window-type, outer ring centred	Window-type, lubrication grooves in the guiding surface, outer ring centred
Stamped steel	Machined brass	Machined brass	Machined brass	PEEK, glass fibre reinforced
-	M	MA	MA	PHAS

Bearing data

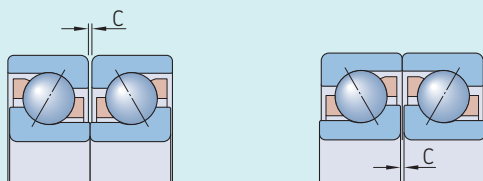
	Single row angular contact ball bearings
Dimension standards	Boundary dimensions: ISO 15 and ISO 12044
Tolerances	<p>Normal Except for:</p> <ul style="list-style-type: none"> • SKF Explorer bearings: <ul style="list-style-type: none"> – P6 dimensional tolerance – P5 geometrical tolerance • Bearings with $D \geq 400$ mm: <ul style="list-style-type: none"> – P6 geometrical tolerance
For additional information → page 35	Values: ISO 492 (table 2, page 38 , to table 4, page 40)
Contact angle	<ul style="list-style-type: none"> • suffix B: 40° • suffix AC: 25° <p>For availability of bearings with 30° contact angle, contact SKF.</p>
Internal clearance	<p>Single bearings Obtained after mounting, depending on adjustment against a second bearing.</p> <p>Pairs of universally matchable bearings</p> <ul style="list-style-type: none"> • CA – smaller than Normal axial clearance (table 4, page 394) • CB – Normal axial clearance (standard) (table 4) • CC – larger than Normal axial clearance (table 4) • G (standard for larger bearings) - Normal axial clearance (table 5, page 394)
For additional information → page 182	Values are valid for unmounted bearing sets, arranged back-to-back or face-to-face under zero measuring load.
Preload	<p>Single bearings Obtained after mounting, depending on adjustment against a second bearing.</p> <p>Pairs of universally matchable bearings</p> <ul style="list-style-type: none"> • GA – light preload (standard) • GB – moderate preload • GC – heavy preload
For additional information → page 182	Values (table 6, page 395) apply to unmounted bearing sets, arranged back-to-back or face-to-face.
Permissible misalignment	<p>Back-to-back: ≈ 2 minutes of arc Face-to-face: ≈ 4 minutes of arc</p> <p>Misalignment increases bearing noise and reduces bearing service life, and when it exceeds ...</p>



Double row angular contact ball bearings	Four-point contact ball bearings
Boundary dimensions: ISO 15 Except for: <ul style="list-style-type: none"> • bearing 3200A: width = 14 mm instead of 14,3 mm • snap rings and grooves: ISO 464 (table 7, page 395) 	Boundary dimensions: ISO 15 Except for: <ul style="list-style-type: none"> • Locating slots: ISO 20515 (table 1, page 387)
Normal Except for: <ul style="list-style-type: none"> • SKF Explorer bearings and 33 DNRCBM series: <ul style="list-style-type: none"> – P6 	Normal P6 geometrical tolerance on request Except for: <ul style="list-style-type: none"> • SKF Explorer bearings: <ul style="list-style-type: none"> – P6 – width tolerance reduced to 0/–40 μm
<ul style="list-style-type: none"> • 32 A and 33 A series: 30° • 33 D series: 45° • 33 DNRCBM series: 40° 	<ul style="list-style-type: none"> • 35°
Normal Check availability of C2, C3 or C4 clearance classes Values: (table 8, page 396) Values are valid for unmounted bearings under zero measuring load.	Normal Check availability of C2, C3, C4 or reduced ranges of standard clearance classes Values: ISO 5753-2 (table 9, page 397)
–	–
≈ 2 minutes of arc	≈ 2 minutes of arc
... the guideline values, these effects become particularly noticeable.	

Table 4

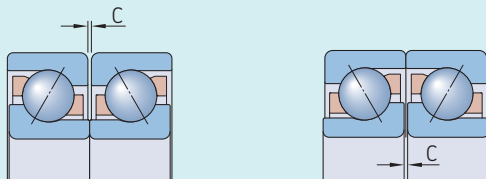
Axial internal clearance of universally matchable single row angular contact ball bearings arranged back-to-back or face-to-face



Bore diameter		Axial internal clearance					
d	≤	Class CA		CB		CC	
		min.	max.	min.	max.	min.	max.
mm		μm					
–	18	5	13	15	23	24	32
18	30	7	15	18	26	32	40
30	50	9	17	22	30	40	48
50	80	11	23	26	38	48	60
80	120	14	26	32	44	55	67
120	160	17	29	35	47	62	74
160	180	17	29	35	47	62	74
180	250	21	37	45	61	74	90
250	315	26	42	52	68	90	106

Table 5

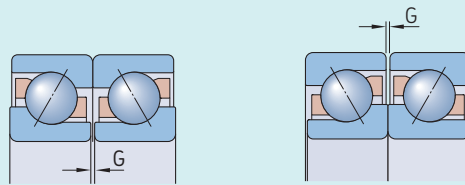
Axial internal clearance of G design universally matchable single row angular contact ball bearings arranged back-to-back or face-to-face



Bore diameter		Axial internal clearance of bearings in the series														
d	≤	718 A		719 A		70 A		70 B		72 B		73 B		74 B		
		min.	max.	min.	max.	min.	max.	min.	max.	min.	max.	min.	max.	min.	max.	
mm		μm														
30	60	–	–	–	–	–	–	–	–	–	–	–	–	–	24	64
60	70	–	–	–	–	–	–	–	–	–	–	–	–	–	24	74
100	160	–	–	–	–	24	76	26	76	–	–	–	–	–	–	–
160	240	–	–	–	–	15	68	20	72	–	–	–	–	–	–	–
240	280	15	68	15	68	15	68	20	72	30	80	–	–	–	–	–
280	300	15	68	15	68	30	80	30	80	30	80	–	–	–	–	–
300	340	15	68	30	80	30	80	30	80	30	80	40	100	–	–	–
340	400	15	68	40	100	40	100	40	100	30	80	60	120	–	–	–
400	420	40	100	40	100	40	100	40	100	40	100	60	120	–	–	–
420	460	40	100	40	100	40	100	40	100	60	120	60	120	–	–	–
460	500	60	120	60	120	60	120	60	120	60	120	60	120	–	–	–
500	750	–	–	–	–	160	260	–	–	–	–	–	–	–	–	–

Table 6

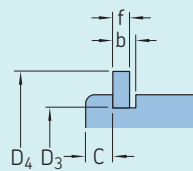
Preload of universally matchable single row angular contact ball bearings arranged back-to-back or face-to-face



Bore diameter		Preload Class		GB		GC	
d		GA		min.	max.	min.	max.
>	≤	min.	max.	min.	max.	min.	max.
mm		μm		μm		μm	
10	18	+4	-4	-2	-10	-8	-16
18	30	+4	-4	-2	-10	-8	-16
30	50	+4	-4	-2	-10	-8	-16
50	80	+6	-6	-3	-15	-12	-24
80	120	+6	-6	-3	-15	-12	-24
120	180	+6	-6	-3	-15	-12	-24
180	250	+8	-8	-4	-20	-16	-32
250	315	+8	-8	-4	-20	-16	-32

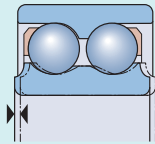
Table 7

Dimensions of snap ring grooves and snap rings



Bearing Designation	Dimensions					Snap ring Designation
	C	b	f	D ₃	D ₄	
–	mm					–
3308 DNRCBM	3,28	2,7	2,46	86,8	96,5	SP 90
3309 DNRCBM	3,28	2,7	2,46	96,8	106,5	SP 100
3310 DNRCBM	3,28	2,7	2,46	106,8	116,6	SP 110
3311 DNRCBM	4,06	3,1	2,82	115,2	129,7	SP 120
3313 DNRCBM	4,9	3,1	2,82	135,2	149,7	SP 140

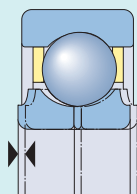
Axial internal clearance of double row angular contact ball bearings



Bore diameter		Axial internal clearance of bearings in the series 32 A and 33 A								33 D		33 DNRCBM	
d		C2		Normal		C3		C4		min.	max.	min.	max.
>	≤	min.	max.	min.	max.	min.	max.	min.	max.				
mm		μm								μm		μm	
–	10	1	11	5	21	12	28	25	45	25	45	–	–
10	18	1	12	6	23	13	31	27	47	27	47	–	–
18	24	2	14	7	25	16	34	28	48	27	47	6	26
24	30	2	15	8	27	18	37	30	50	30	50	6	26
30	40	2	16	9	29	21	40	33	54	33	54	10	30
40	50	2	18	11	33	23	44	36	58	36	58	10	30
50	65	3	22	13	36	26	48	40	63	40	63	18	38
65	80	3	24	15	40	30	54	46	71	46	71	18	38
80	100	3	26	18	46	35	63	55	83	55	83	–	–
100	110	4	30	22	53	42	73	65	96	65	96	–	–

Table 9

Axial internal clearance of four-point contact ball bearings



Bore diameter d		Axial internal clearance							
>	≤	C2		Normal		C3		C4	
		min.	max.	min.	max.	min.	max.	min.	max.
mm		μm							
10	18	15	65	50	95	85	130	120	165
18	40	25	75	65	110	100	150	135	185
40	60	35	85	75	125	110	165	150	200
60	80	45	100	85	140	125	175	165	215
80	100	55	110	95	150	135	190	180	235
100	140	70	130	115	175	160	220	205	265
140	180	90	155	135	200	185	250	235	300
180	220	105	175	155	225	210	280	260	330
220	260	120	195	175	250	230	305	290	360
260	300	135	215	195	275	255	335	315	390
300	350	155	240	220	305	285	370	350	430
350	400	175	265	245	330	310	400	380	470
400	450	190	285	265	360	340	435	415	510
450	500	210	310	290	390	365	470	445	545

Loads

	Single row angular contact ball bearings	Double row angular contact ball bearings
Minimum load For additional information → page 106	Minimum axial load for single bearings and bearing pairs arranged in tandem: $F_{am} = A \left(\frac{n}{1\,000} \right)^2$	–
	Minimum radial load for bearing pairs arranged back-to-back or face-to-face: $F_{rm} = k_r \left(\frac{v n}{1\,000} \right)^{2/3} \left(\frac{d_m}{100} \right)^2$	Minimum radial load: $F_{rm} = k_r \left(\frac{v n}{1\,000} \right)^{2/3} \left(\frac{d_m}{100} \right)^2$
Equivalent dynamic bearing load For additional information → page 91	Single bearings and bearing pairs arranged in tandem: $F_a/F_r \leq e \rightarrow P = F_r$ $F_a/F_r > e \rightarrow P = X F_r + Y_2 F_a$ When determining the axial load F_a , refer to <i>Calculating the axial load for bearings mounted singly or paired in tandem</i> page 400 . Bearing pairs arranged back-to-back or face-to-face: $F_a/F_r \leq e \rightarrow P = F_r + Y_1 F_a$ $F_a/F_r > e \rightarrow P = X F_r + Y_2 F_a$	$F_a/F_r \leq e \rightarrow P = F_r + Y_1 F_a$ $F_a/F_r > e \rightarrow P = X F_r + Y_2 F_a$
	Equivalent static bearing load For additional information → page 105	Single bearings and bearing pairs arranged in tandem: $P_0 = 0,5 F_r + Y_0 F_a$ $P_0 < F_r \rightarrow P_0 = F_r$ When determining the axial load F_a , refer to <i>Calculating the axial load for bearings mounted singly or paired in tandem</i> , page 400 . Bearing pairs arranged back-to-back or face-to-face: $P_0 = F_r + Y_0 F_a$



<p>Four-point contact ball bearings</p>	
<p>Minimum axial load:</p> $F_{am} = A \left(\frac{n}{1\,000} \right)^2$	<p>Symbols</p> <p>A minimum axial load factor (product tables)</p> <ul style="list-style-type: none"> • Single row bearings, page 406 • Four-point contact bearings, page 430 <p>d_m bearing mean diameter [mm] = 0,5 (d + D)</p>
<p>–</p>	<p>e calculation factor for single and double row bearings (table 10, page 400)</p> <p>F_a axial load [kN] F_{am} minimum axial load [kN] F_r radial load [kN] F_{rm} minimum radial load [kN] k_r minimum radial load factor (product tables)</p> <ul style="list-style-type: none"> • Single row bearings, page 406 • Double row bearings, page 424 <p>n rotational speed [r/min] P equivalent dynamic bearing load [kN] P_0 equivalent static bearing load [kN] X, Y_0, Y_1, Y_2 calculation factors for single and double row bearings (table 10) ν actual operating viscosity of the lubricant [mm²/s]</p>
<p>Locating bearings to accommodate radial and axial load:</p> $F_a/F_r \leq 0,95 \rightarrow P = F_r + 0,66 F_a$ $F_a/F_r > 0,95 \rightarrow P = 0,6 F_r + 1,07 F_a$ <p>For a proper functionality, SKF recommends $F_a \geq 1,27 F_r$.</p> <p>Thrust bearings with radial clearance in the housing in combination with a radial bearing (fig. 12, page 403):</p> $P = 1,07 F_a$	
$P_0 = F_r + 0,58 F_a$	

Calculating the axial load for bearings mounted singly or paired in tandem

When a radial load is applied to a single row angular contact ball bearing, the load is transmitted from one raceway to the other at an angle to the bearing axis and an internal axial load is induced. This must be considered when calculating the equivalent bearing loads for bearings in adjusted arrangements consisting of two single bearings and/or bearing pairs arranged in tandem.

The equations (table 11) are only valid if the bearings have identical contact angles and are adjusted against each other to practically zero clearance, but without any preload. In the table, bearing A is subjected to a radial load F_{rA} and bearing B to a radial load F_{rB} . Both F_{rA} and F_{rB} are always considered positive, even when they act in the direction opposite to that shown in the figures. The radial loads act at the pressure centres of the bearings (distance a , refer to product tables, page 406).

These calculations can easily be done with SKF's online calculation tools. When the bearings are adjusted with clearance or preload, or when bearings with different contact angles are used, the equations become more complex and can be done using the SKF SimPro platform (skf.com/simpro).

Load carrying capacity of bearing pairs

The values for basic load ratings and fatigue load limits listed in the product tables, page 406, apply to single bearings. For bearing pairs mounted immediately adjacent to each other, the following values apply:

- basic dynamic load rating for standard bearings in all arrangements and for SKF Explorer bearings in a back-to-back or face-to-face arrangement
 $C = 1,62 C_{\text{single bearing}}$
- basic dynamic load rating for SKF Explorer bearings in a tandem arrangement
 $C = 2 C_{\text{single bearing}}$
- basic static load rating
 $C_0 = 2 C_{0 \text{ single bearing}}$
- fatigue load limit
 $P_u = 2 P_{u \text{ single bearing}}$

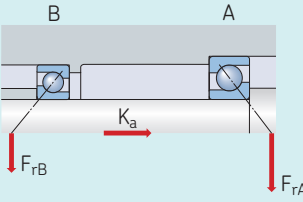
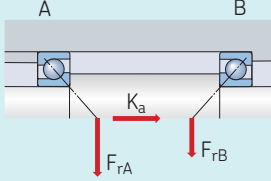
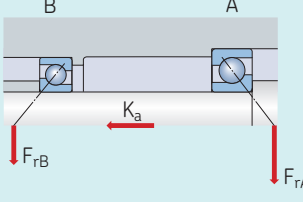
Table 10

Calculation factors for single and double row angular contact ball bearings

Bearing types	Calculation factor				
	e	X	Y ₁	Y ₂	Y ₀
Single row bearings					
Single bearings or bearing pairs arranged in tandem					
Suffix B	1,4	0,35	–	0,57	0,26
Suffix AC	0,68	0,41	–	0,87	0,38
Bearing pairs arranged back-to-back or face-to-face					
Suffix B	1,14	0,57	0,55	0,93	0,52
Suffix AC	0,68	0,67	0,92	1,41	0,76
Double row bearings					
Series 32 A, 33 A	0,8	0,63	0,78	1,24	0,66
Series 33 D	1,34	0,54	0,47	0,81	0,44
Series 33 DNRCBM	1,14	0,57	0,55	0,93	0,52

Table 11

Axial loading of bearing arrangements incorporating two single row angular contact ball bearings and/or bearing pairs in tandem

Bearing arrangement	Load case	Axial loads	
Back-to-back 	Case 1a $F_{rA} \geq F_{rB}$ $K_a \geq 0$	$F_{aA} = R F_{rA}$	$F_{aB} = F_{aA} + K_a$
	Case 1b $F_{rA} < F_{rB}$ $K_a \geq R (F_{rB} - F_{rA})$	$F_{aA} = R F_{rA}$	$F_{aB} = F_{aA} + K_a$
Face-to-face 	Case 1c $F_{rA} < F_{rB}$ $K_a < R (F_{rB} - F_{rA})$	$F_{aA} = F_{aB} - K_a$	$F_{aB} = R F_{rB}$
	Case 2a $F_{rA} \leq F_{rB}$ $K_a \geq 0$	$F_{aA} = F_{aB} + K_a$	$F_{aB} = R F_{rB}$
Back-to-back 	Case 2b $F_{rA} > F_{rB}$ $K_a \geq R (F_{rA} - F_{rB})$	$F_{aA} = F_{aB} + K_a$	$F_{aB} = R F_{rB}$
	Case 2c $F_{rA} > F_{rB}$ $K_a < R (F_{rA} - F_{rB})$	$F_{aA} = R F_{rA}$	$F_{aB} = F_{aA} - K_a$

For bearings with:
 • 20° contact angle → R = 0,50
 • 25° contact angle → R = 0,57
 • 30° contact angle → R = 0,66
 • 40° contact angle → R = 0,88



Temperature limits

The permissible operating temperature for angular contact ball bearings can be limited by:

- the dimensional stability of the bearing rings and balls
- the cage
- the seals
- the lubricant

Where temperatures outside the permissible range are expected, contact SKF.

Bearing rings and balls

The bearings are heat stabilized up to at least 150 °C (300 °F).

Cages

Steel, brass or PEEK cages can be used at the same operating temperatures as the bearing rings and balls. For temperature limits of cages made of other polymer materials, refer to *Polymer cages*, page 188.

Seals

The permissible operating temperature for NBR seals is -40 to +100 °C (-40 to +210 °F). Temperatures up to 120 °C (250 °F) can be tolerated for brief periods.

Typically, temperature peaks are at the seal lip.

Lubricants

Temperature limits for greases used in sealed SKF angular contact ball bearings are provided in table 2, page 389. For temperature limits of other SKF greases, refer to *Selecting a suitable SKF grease*, page 116.

When using lubricants not supplied by SKF, temperature limits should be evaluated according to the SKF traffic light concept (page 117).

Permissible speed

The speed ratings in the product tables indicate:

- the **reference speed**, which enables a quick assessment of the speed capabilities from a thermal frame of reference
- the **limiting speed**, which is a mechanical limit that should not be exceeded unless the bearing design and the application are adapted for higher speeds

For additional information, refer to *Operating temperature and speed*, page 130.

SKF recommends oil lubrication for bearings with a ring centred cage (designation suffix MA or PHAS). When these bearings are grease lubricated, the nd_m value is limited to 250 000 mm/min.

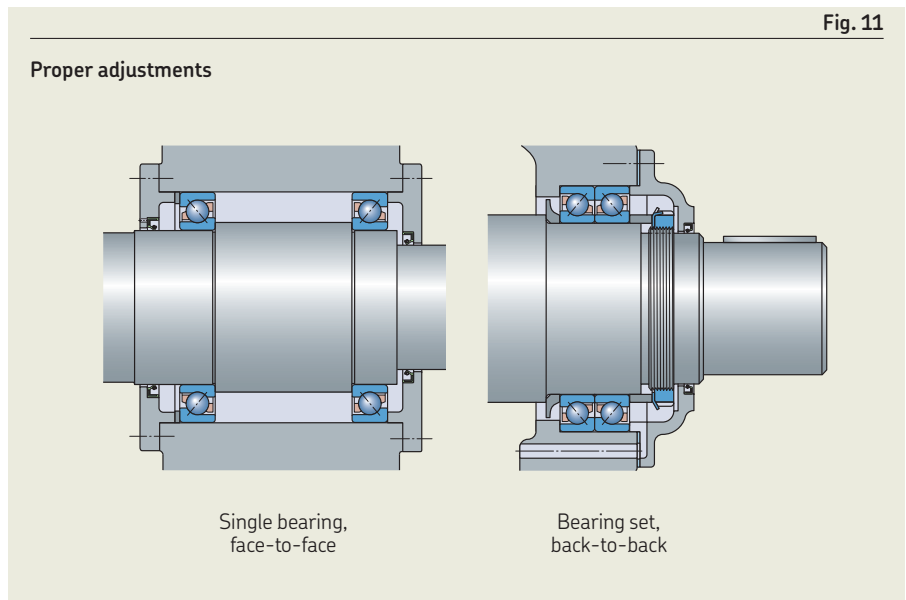
where

$$d_m = \text{bearing mean diameter [mm]} \\ = 0,5 (d + D)$$

$$n = \text{rotational speed [r/min]}$$

Bearing pairs

For bearings arranged in pairs, the limiting speed should be reduced to approximately 80% of the value quoted for a single bearing.



Design considerations

Single row angular contact ball bearings

Proper adjustment

Single row angular contact ball bearings must be used (fig. 11):

- with a second bearing
- in sets

The bearings must be adjusted against each other until the requisite clearance or preload is obtained (*Selecting preload*, page 186).

Universally matchable bearings mounted immediately adjacent to each other:

- require no further adjustment (*Bearings for universal matching*, page 385)
- obtain requisite clearance or preload by:
 - choosing bearings from an appropriate clearance or preload class
 - applying suitable fits for the bearings on the shaft and in the housing

Performance and operational reliability depend on:

- proper adjustment for single bearings
- the correct selection of clearance and preload for universally matchable bearings

If there is too much clearance in the bearing arrangement during operation, the load carrying capacity of the bearings will not be fully utilized. Excessive preload produces more friction and higher operating temperatures, leading to a reduction in bearing service life.

Axial loads in one direction

When the axial load acts predominantly in one direction in back-to-back and face-to-face arrangements, unfavourable rolling conditions for the balls of the axially unloaded bearing may occur, which can lead to:

- increased noise levels
- discontinuity in the lubricant film
- increased stresses on the cage

Under these circumstances, SKF recommends zero operating clearance, which can be attained by using springs. When springs are not sufficient, using bearings with a 25° contact angle as a backup bearing may help.

Load ratio

- of $F_a/F_r \geq 1$ is required by bearings in the 70 B, 72 B(E) and 73 B(E) series
- of $F_a/F_r \geq 0,55$ is required by bearings in the 72 AC and 73 AC series

If the load ratio requirement is not met in each case, bearing service life can be reduced.

Four-point contact ball bearings

Used as a thrust bearing

Four-point contact ball bearings are often used as entirely thrust bearings, together with a radial bearing. When used in this way, the four-point contact ball bearing should be mounted with radial clearance in the housing (fig. 12).

- in combination with a cylindrical roller bearing:
 - the radial internal clearance of the cylindrical roller bearing should be smaller than the theoretical radial internal clearance of the four-point contact ball bearing after both have been mounted
 - the theoretical radial clearance can be calculated from:

$$C_r = 0,7 C_a$$

where

C_r = theoretical radial internal clearance
 C_a = axial internal clearance (table 9, page 397)

- the outer ring of the four-point contact ball bearing must be able to accommodate thermal movements
 - Therefore, it should not be clamped axially, but a small gap should be maintained between the outer ring and the cover flange.
- bearings with locating slots should be used (fig. 12) to prevent the outer ring from turning
 - If clamping the outer ring cannot be avoided, the outer ring must be carefully centred during mounting.

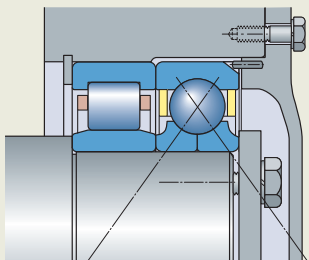
Load ratio

For proper functionality, the balls should contact only one inner ring raceway and the opposite side of the outer ring raceway. This is the case when the load ratio is $F_a/F_r \geq 1,27$.

A load ratio that is smaller than recommended can reduce bearing service life.

Fig. 12

Bearing mounted with radial clearance in the housing



Designation system



Prefixes

Basic designation

Listed in [table 4, page 30](#)

- ALS Inch bearing
- AMS Inch bearing

Suffixes

Group 1: Internal design

- A Single row bearing, 30° contact angle
- A Double row bearing, no filling slots
- AB Single row inch bearing, 20° contact angle
- AC Single row bearing, 25° contact angle
- B Single row bearing, 40° contact angle
- D Two-piece inner ring
- E Optimized internal design

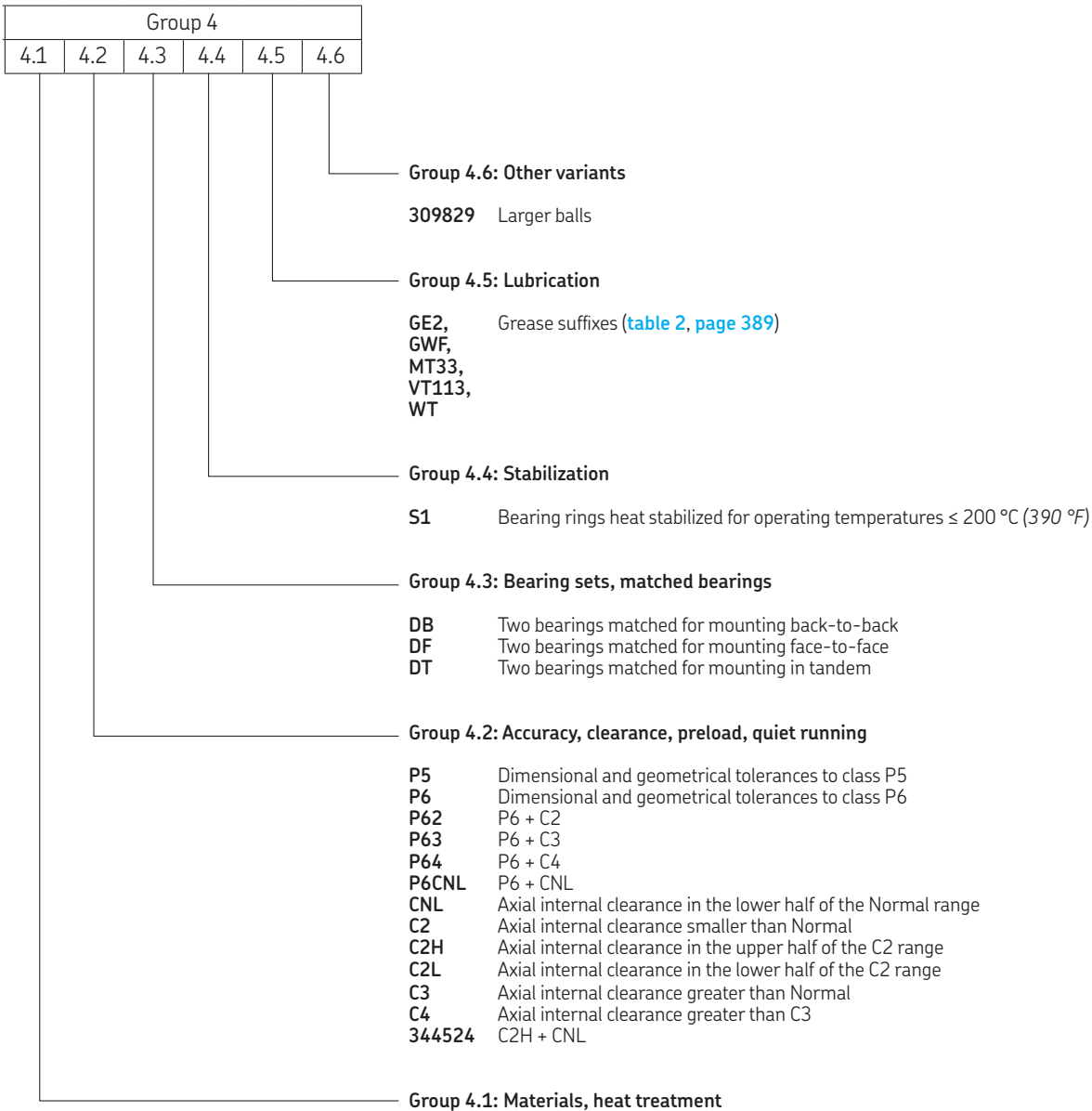
Group 2: External design (seals, snap ring groove, execution, etc.)

- N Snap ring groove in the outer ring
- NR Snap ring groove in the outer ring, with appropriate snap ring
- N1 One locating slot (notch) in one outer ring side face
- N2 Two locating slots (notches) in one outer ring side face, 180° apart
- CB Double row bearing, controlled axial internal clearance
- CA Bearing for universal matching. Two bearings arranged back-to-back or face-to-face have axial internal clearance smaller than Normal (CB).
- CB Bearing for universal matching. Two bearings arranged back-to-back or face-to-face have Normal axial internal clearance.
- CC Bearing for universal matching. Two bearings arranged back-to-back or face-to-face have axial internal clearance greater than Normal (CB).
- G Bearing for universal matching. Two bearings arranged back-to-back or face-to-face have axial internal clearance.
- GA Bearing for universal matching. Two bearings arranged back-to-back or face-to-face have light preload.
- GB Bearing for universal matching. Two bearings arranged back-to-back or face-to-face have moderate preload.
- GC Bearing for universal matching. Two bearings arranged back-to-back or face-to-face have heavy preload.
- 2RS1 Contact seal, NBR, on both sides
- 2RZ Non-contact seal, NBR, on both sides
- ZZ Shield on both sides

Group 3: Cage design

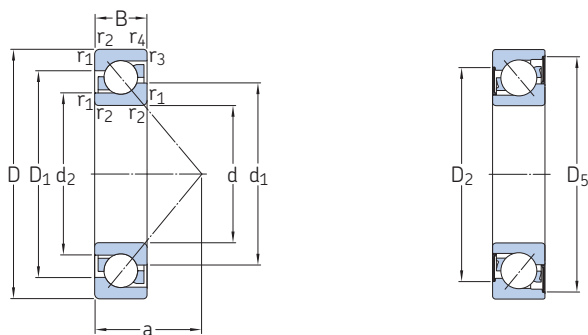
- Stamped steel cage, ball centred (double row bearing)
- F Machined steel cage, ball centred
- FA Machined steel cage, outer ring centred
- J Stamped steel cage, ball centred (single row bearing)
- J1 Stamped steel cage, ball centred (double row bearing with a two-piece inner ring)
- M Machined brass cage, ball centred; different designs are identified by a number following the M, e.g. M2
- MA Machined brass cage, outer ring centred.
- MB Machined brass cage, inner ring centred
- P Glass fibre reinforced PA66 cage, ball centred
- PH Glass fibre reinforced PEEK cage, ball centred
- PHAS Glass fibre reinforced PEEK cage, with lubrication grooves in the guiding surfaces, outer ring centred
- TN9 Glass fibre reinforced PA66 cage, ball centred
- Y Stamped brass cage, ball centred





3.1 Single row angular contact ball bearings

d 10 – 20 mm

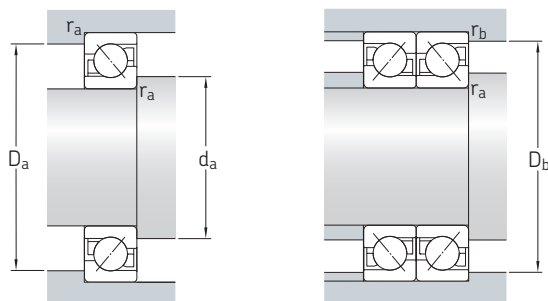


2RZ

Principal dimensions			Basic load ratings dynamic static		Fatigue load limit	Speed ratings Reference speed Limiting speed		Mass	Designations Universally matchable bearing	Basic design / sealed bearing
d	D	B	C	C ₀	P _u					
mm			kN		kN	r/min		kg	–	
10	30	9	7,02	3,35	0,14	30 000	30 000	0,03	▶ 7200 BECBP	▶ 7200 BEP
12	32	10	7,61	3,8	0,16	28 000	26 000	0,036	▶ 7201 BECBP	▶ 7201 BEP
	37	12	10,6	5	0,208	26 000	20 000	0,06	–	▶ 7301 BE-2RZP
	37	12	10,6	5	0,208	26 000	24 000	0,06	–	▶ 7301 BEP
15	35	11	8,32	4,4	0,183	24 000	20 000	0,045	–	▶ 7202 BE-2RZP
	35	11	8,32	4,4	0,183	24 000	24 000	0,045	–	▶ 7202 BEP
	35	11	8,8	4,65	0,196	24 000	26 000	0,045	▶ 7202 BECBP	–
	35	11	10,2	5,2	0,224	26 000	40 000	0,045	7202 ACCBM	–
	42	13	13	6,7	0,28	22 000	17 000	0,082	–	▶ 7302 BE-2RZP
	42	13	13	6,7	0,28	22 000	20 000	0,08	▶ 7302 BECBP	▶ 7302 BEP
17	40	12	10,4	5,5	0,236	22 000	17 000	0,063	–	▶ 7203 BE-2RZP
	40	12	10,4	5,5	0,236	22 000	20 000	0,065	–	▶ 7203 BEP
	40	12	11	5,85	0,25	22 000	22 000	0,065	▶ 7203 BECBP	–
	40	12	11	5,85	0,25	22 000	28 000	0,065	▶ 7203 BECBM	–
	40	12	11,1	6,1	0,26	22 000	20 000	0,065	–	7203 BEY
	40	12	12,5	6,7	0,285	24 000	34 000	0,065	7203 ACCBM	–
47	14	15,9	8,3	0,355	20 000	15 000	0,11	–	▶ 7303 BE-2RZP	
	14	15,9	8,3	0,355	20 000	19 000	0,11	▶ 7303 BECBP	▶ 7303 BEP	
20	47	14	13,3	7,65	0,325	19 000	14 000	0,15	–	▶ 7204 BE-2RZP
	47	14	13,3	7,65	0,325	19 000	18 000	0,11	–	▶ 7204 BEP
	47	14	14,3	8,15	0,345	19 000	19 000	0,11	▶ 7204 BECBP	–
	47	14	14,3	8,15	0,345	19 000	19 000	0,11	7204 BECBPH	–
	47	14	14,3	8,15	0,345	19 000	19 000	0,11	▶ 7204 BECBY	–
	47	14	14,3	8,15	0,345	19 000	24 000	0,11	▶ 7204 BECBM	–
	47	14	16	9,3	0,39	20 000	30 000	0,11	7204 ACCBM	–
	52	15	17,4	9,5	0,4	17 000	13 000	0,14	–	▶ 7304 BE-2RZP
	52	15	17,4	9,5	0,4	17 000	16 000	0,14	–	▶ 7304 BEP
52	15	19	10	0,425	17 000	18 000	0,14	▶ 7304 BECBP	–	
	15	19	10	0,425	17 000	18 000	0,14	7304 BECBPH	–	
	15	19	10	0,425	17 000	22 000	0,14	▶ 7304 BECBM	–	
52	15	20,4	11,2	0,475	17 000	18 000	0,14	▶ 7304 BECBY	–	
	15	20,8	11,2	0,475	19 000	26 000	0,14	▶ 7304 ACCBM	–	

SKF Explorer bearing

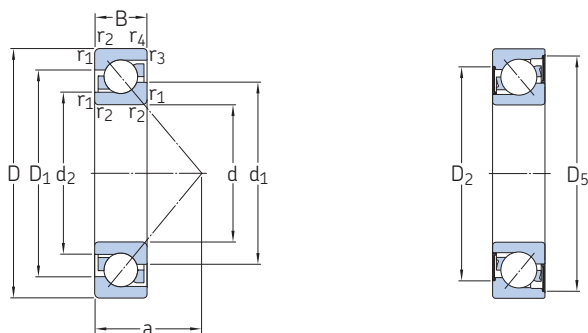
▶ Popular item



Dimensions								Abutment and fillet dimensions						Calculation factors	
d	d ₁ ≈	d ₂ ≈	D ₁ , D ₂ ≈	D ₅ ≈	r _{1,2} min.	r _{3,4} min.	a	d _a min.	d _a max.	D _a max.	D _b max.	r _a max.	r _b max.	A	k _r
mm								mm						–	
10	18,3	14,5	22,9	–	0,6	0,3	13	14,2	–	25,8	27,6	0,6	0,3	0,000 224	0,095
12	20,2	16,5	25	–	0,6	0,3	14	16,2	–	27,8	30	0,6	0,3	0,000 283	0,095
	21,9	16,9	29,5	33,5	1	0,6	16,3	17,6	21,5	31,4	32,8	1	0,6	0,000 537	0,1
	21,7	16,9	28,3	–	1	0,6	16,3	17,6	–	31,4	32,8	1	0,6	0,000 537	0,1
15	22,7	18,9	28,5	32,4	0,6	0,3	16	19,2	22,5	30,8	32,6	0,6	0,3	0,000 383	0,095
	22,7	18,9	27,8	–	0,6	0,3	16	19,2	–	30,8	32,6	0,6	0,3	0,000 383	0,095
	22,7	18,9	27,8	–	0,6	0,3	16	19,2	–	30,8	32,6	0,6	0,3	0,000 383	0,095
	22,8	18,8	27,6	–	0,6	0,3	16	19,2	–	30,8	32,6	0,6	0,3	0,000 156	0,095
	26	20,7	33,8	38,6	1	0,6	18,6	21	25,5	36	38	1	0,6	0,000 907	0,1
	26	20,7	32,6	–	1	0,6	18,6	21	–	36	38	1	0,6	0,000 907	0,1
17	26,2	21,6	34	36,5	0,6	0,6	18	21,2	26,2	35,8	35,8	0,6	0,6	0,000 625	0,095
	26,2	21,6	31,2	–	0,6	0,6	18	21,2	–	35,8	35,8	0,6	0,6	0,000 625	0,095
	26,2	21,6	31,2	–	0,6	0,6	18	21,2	–	35,8	35,8	0,6	0,6	0,000 625	0,095
	26,2	21,6	31,2	–	0,6	0,6	18	21,2	–	35,8	35,8	0,6	0,6	0,000 625	0,095
	26,2	21,6	31,2	–	0,6	0,6	18	21,2	–	35,8	35,8	0,6	0,6	0,000 687	0,095
	26	21,5	31,4	–	0,6	0,6	12	21,2	–	35,8	35,8	0,6	0,6	0,000 254	0,095
	28,6	22,8	37,4	42,6	1	0,6	20,4	22,6	28	41,4	42,8	1	0,6	0,00141	0,1
	28,6	22,8	36,2	–	1	0,6	20,4	22,6	–	41,4	42,8	1	0,6	0,00141	0,1
	20	30,8	25,8	37,7	43,2	1	0,6	21	25,6	30	41,4	42,8	1	0,6	0,00113
30,8		25,8	37	–	1	0,6	21	25,6	–	41,4	42,8	1	0,6	0,00113	0,095
30,8		25,8	37	–	1	0,6	21	25,6	–	41,4	42,8	1	0,6	0,00113	0,095
30,8		25,8	37	–	1	0,6	21	25,6	–	41,4	42,8	1	0,6	0,00113	0,095
30,8		25,8	37	–	1	0,6	21	25,6	–	41,4	42,8	1	0,6	0,00113	0,095
30,7		25,7	36,7	–	1	0,6	14	25,6	–	41,4	42,8	1	0,6	0,000 461	0,095
33,1		26,7	41,6	48,1	1,1	0,6	22,8	27	30,5	45	47,8	1	0,6	0,00191	0,1
33,1		26,7	40,5	–	1,1	0,6	22,8	27	–	45	47,8	1	0,6	0,00191	0,1
33,1		26,7	40,5	–	1,1	0,6	22,8	27	–	45	47,8	1	0,6	0,00191	0,1
33,1		26,7	40,5	–	1,1	0,6	22,8	27	–	45	47,8	1	0,6	0,00191	0,1
33,1		26,7	40,5	–	1,1	0,6	22,8	27	–	45	47,8	1	0,6	0,00191	0,1
33,1		26,7	40,5	–	1,1	0,6	22,8	27	–	45	47,8	1	0,6	0,00191	0,1
33,1		26,7	40,5	–	1,1	0,6	22,8	27	–	45	47,8	1	0,6	0,00212	0,1
32,9		26,6	40,4	–	1,1	0,6	15	27	–	45	47,8	1	0,6	0,000 771	0,1

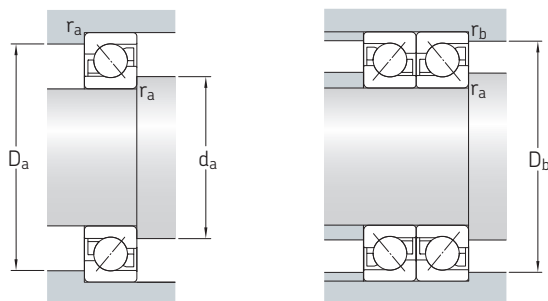
3.1 Single row angular contact ball bearings

d 25 – 30 mm



2RZ

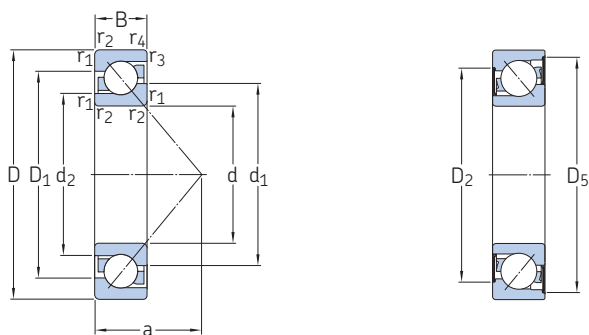
Principal dimensions			Basic load ratings dynamic static		Fatigue load limit	Speed ratings Reference speed Limiting speed		Mass	Designations Universally matchable bearing	Basic design / sealed bearing
d	D	B	C	C ₀	P _u					
mm			kN		kN	r/min		kg	–	
25	52	15	14,8	9,3	0,4	16 000	12 000	0,13	–	▶ 7205 BE-2RZP
	52	15	14,8	9,3	0,4	16 000	15 000	0,13	–	▶ 7205 BEP
	52	15	14,8	9,3	0,4	16 000	15 000	0,13	–	▶ 7205 BEY
	52	15	15,6	10	0,43	16 000	17 000	0,13	▶ 7205 BECBP	–
	52	15	15,6	10	0,43	16 000	17 000	0,13	▶ 7205 BECBY	–
	52	15	15,6	10	0,43	16 000	20 000	0,13	▶ 7205 BECBM	–
	52	15	15,6	10	0,43	16 000	17 000	0,13	7205 BECBPH	–
	52	15	18	11,4	0,49	17 000	26 000	0,13	7205 ACCBM	–
	62	17	24,2	14	0,6	14 000	11 000	0,23	–	▶ 7305 BE-2RZP
	62	17	24,2	14	0,6	14 000	14 000	0,23	–	▶ 7305 BEP
	62	17	24,2	14	0,6	14 000	14 000	0,23	–	7305 BEY
	62	17	26,5	15,3	0,655	14 000	15 000	0,23	▶ 7305 BECBP	–
	62	17	26,5	15,3	0,655	14 000	15 000	0,23	7305 BECBPH	–
	62	17	26,5	15,3	0,655	14 000	15 000	0,23	▶ 7305 BECBY	–
	62	17	26,5	15,3	0,655	14 000	19 000	0,23	▶ 7305 BECBM	–
62	17	29	17	0,72	15 000	22 000	0,23	▶ 7305 ACCBM	–	
30	62	16	22,5	14,3	0,61	13 000	10 000	0,26	–	▶ 7206 BE-2RZP
	62	16	22,5	14,3	0,61	13 000	13 000	0,2	–	▶ 7206 BEP
	62	16	24	15,6	0,655	13 000	14 000	0,2	▶ 7206 BECBP	–
	62	16	24	15,6	0,655	13 000	14 000	0,2	7206 BECBPH	–
	62	16	24	15,6	0,655	13 000	18 000	0,2	▶ 7206 BECBM	–
	62	16	25,5	17	0,71	13 000	14 000	0,2	▶ 7206 BECBY	–
	62	16	27,5	17,3	0,735	15 000	20 000	0,2	7206 ACCBM	–
	72	19	32,5	19,3	0,815	12 000	9 500	0,35	–	▶ 7306 BE-2RZP
	72	19	32,5	19,3	0,815	12 000	12 000	0,34	–	▶ 7306 BEP
	72	19	35,5	21,2	0,9	12 000	13 000	0,34	▶ 7306 BECBP	–
	72	19	35,5	21,2	0,9	12 000	13 000	0,34	7306 BEGAPH	–
	72	19	35,5	21,2	0,9	12 000	16 000	0,34	▶ 7306 BECBM	–
	72	19	37,5	23,2	0,98	12 000	13 000	0,34	▶ 7306 BECBY	–
	72	19	39	23,6	1	13 000	19 000	0,34	▶ 7306 ACCBM	–



Dimensions								Abutment and fillet dimensions						Calculation factors	
d	d ₁ ≈	d ₂ ≈	D ₁ , D ₂ ≈	D ₅ ≈	r _{1,2} min.	r _{3,4} min.	a	d _a min.	d _a max.	D _a max.	D _b max.	r _a max.	r _b max.	A	k _r
mm								mm						–	
25	36,1	30,8	42,7	48	1	0,6	24	30,6	35,5	46,4	47,8	1	0,6	0,00159	0,095
	36,1	30,8	41,6	–	1	0,6	24	30,6	–	46,4	47,8	1	0,6	0,00159	0,095
	36,1	30,8	41,6	–	1	0,6	24	30,6	–	46,4	47,8	1	0,6	0,00159	0,095
	36,1	30,8	41,5	–	1	0,6	24	30,6	–	46,4	47,8	1	0,6	0,00159	0,095
	36,1	30,8	41,5	–	1	0,6	24	30,6	–	46,4	47,8	1	0,6	0,00159	0,095
	36,1	30,8	41,5	–	1	0,6	24	30,6	–	46,4	47,8	1	0,6	0,00159	0,095
	36,1	30,8	41,5	–	1	0,6	24	30,6	–	46,4	47,8	1	0,6	0,00159	0,095
	35,8	30,7	41,7	–	1	0,6	16	30,6	–	46,4	47,8	1	0,6	0,00656	0,095
	39,7	32,3	50,5	56,9	1,1	0,6	26,8	32	39	55	57	1	0,6	0,00391	0,1
	39,7	32,3	48,3	–	1,1	0,6	26,8	32	–	55	57	1	0,6	0,00391	0,1
	39,7	32,3	48,3	–	1,1	0,6	26,8	32	–	55	57	1	0,6	0,00391	0,1
	39,7	32,3	48,3	–	1,1	0,6	26,8	32	–	55	57	1	0,6	0,00391	0,1
	39,7	32,3	48,3	–	1,1	0,6	26,8	32	–	55	57	1	0,6	0,00391	0,1
	39,7	32,3	48,3	–	1,1	0,6	26,8	32	–	55	57	1	0,6	0,00391	0,1
	39,7	32,3	48,3	–	1,1	0,6	26,8	32	–	55	57	1	0,6	0,00391	0,1
39,5	32,2	48,1	–	1,1	0,6	18	32	–	55	57	1	0,6	0,00158	0,1	
30	42,6	36,1	51,8	57,6	1	0,6	27,3	35,6	42	56	57	1	0,6	0,00377	0,095
	42,6	36,1	50,1	–	1	0,6	27,3	35,6	–	56	57	1	0,6	0,00377	0,095
	42,6	36,1	50,1	–	1	0,6	27,3	35,6	–	56	57	1	0,6	0,00377	0,095
	42,6	36,1	50,1	–	1	0,6	27,3	35,6	–	56	57	1	0,6	0,00377	0,095
	42,6	36,1	50,1	–	1	0,6	27,3	35,6	–	56	57	1	0,6	0,00408	0,095
	42,6	36,1	50,1	–	1	0,6	27,3	35,6	–	56	57	1	0,6	0,00377	0,095
	42,6	36,1	50,1	–	1	0,6	27,3	35,6	–	56	57	1	0,6	0,00377	0,095
	42,6	36,1	50,1	–	1	0,6	27,3	35,6	–	56	57	1	0,6	0,00377	0,095
	42,4	35,9	50,1	–	1	0,6	18	35,6	–	56	57	1	0,6	0,00155	0,095
	46,5	37,9	58,8	66,45	1,1	0,6	31	37	46	65	67	1	0,6	0,0074	0,1
	46,5	37,9	56,6	–	1,1	0,6	31	37	–	65	67	1	0,6	0,0074	0,1
	46,5	37,9	56,6	–	1,1	0,6	31	37	–	65	67	1	0,6	0,0074	0,1
	46,5	37,9	56,6	–	1,1	0,6	31	37	–	65	67	1	0,6	0,0074	0,1
	46,5	37,9	56,6	–	1,1	0,6	31	37	–	65	67	1	0,6	0,0074	0,1
	46,5	37,9	56,6	–	1,1	0,6	31	37	–	65	67	1	0,6	0,00814	0,1
46,3	37,8	56,4	–	1,1	0,6	21	37	–	65	67	1	0,6	0,003	0,1	

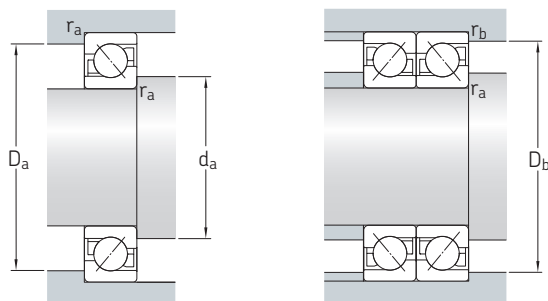
3.1 Single row angular contact ball bearings

d 35 – 40 mm



2RZ

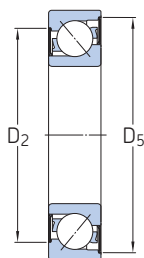
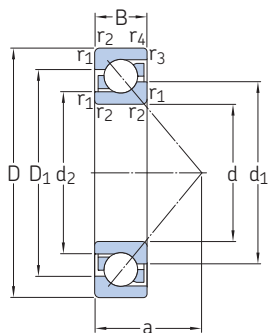
Principal dimensions			Basic load ratings dynamic static		Fatigue load limit	Speed ratings Reference speed Limiting speed		Mass	Designations Universally matchable bearing	Basic design / sealed bearing
d	D	B	C	C ₀	P _u					
mm			kN		kN	r/min		kg	–	
35	72	17	29,1	19	0,815	11 000	9 000	0,35	–	▶ 7207 BE-2RZP
	72	17	29,1	19	0,815	11 000	11 000	0,28	–	▶ 7207 BEP
	72	17	31	20,8	0,88	11 000	12 000	0,28	▶ 7207 BECBP	–
	72	17	31	20,8	0,88	11 000	15 000	0,28	▶ 7207 BECBM	–
	72	17	32,5	22,4	0,95	11 000	12 000	0,28	▶ 7207 BECBY	–
	72	17	35,5	23,2	0,98	12 000	18 000	0,28	7207 ACCBM	–
	80	21	39	24,5	1,04	11 000	8 500	0,45	–	▶ 7307 BE-2RZP
	80	21	39	24,5	1,04	11 000	10 000	0,45	–	▶ 7307 BEP
	80	21	41,5	26,5	1,14	11 000	11 000	0,45	▶ 7307 BECBP	–
	80	21	41,5	26,5	1,14	11 000	11 000	0,45	▶ 7307 BECBY	–
	80	21	41,5	26,5	1,14	11 000	11 000	0,45	7307 BEGAPH	–
	80	21	41,5	26,5	1,14	11 000	14 000	0,45	▶ 7307 BECBM	–
80	21	46,5	30	1,27	11 000	17 000	0,45	▶ 7307 ACCBM	–	
40	80	18	34,5	24	1,02	10 000	8 000	0,42	–	▶ 7208 BE-2RZP
	80	18	34,5	24	1,02	10 000	10 000	0,37	–	▶ 7208 BEP
	80	18	36,5	26	1,1	10 000	11 000	0,37	▶ 7208 BECBP	–
	80	18	36,5	26	1,1	10 000	11 000	0,37	7208 BECBPH	–
	80	18	36,5	26	1,1	10 000	13 000	0,37	▶ 7208 BECBM	–
	80	18	39	28	1,2	10 000	11 000	0,37	▶ 7208 BECBY	–
	80	18	41,5	29	1,25	11 000	16 000	0,37	7208 ACCBM	–
	90	23	46,2	30,5	1,29	9 500	7 500	0,62	–	▶ 7308 BE-2RZP
	90	23	46,2	30,5	1,29	9 500	9 000	0,62	–	▶ 7308 BEP
	90	23	50	32,5	1,37	9 500	10 000	0,62	▶ 7308 BECBP	–
	90	23	50	32,5	1,37	9 500	10 000	0,62	7308 BEGAPH	–
	90	23	50	32,5	1,37	9 500	12 000	0,68	▶ 7308 BECBM	–
	90	23	53	35,5	1,5	9 500	10 000	0,64	▶ 7308 BECBY	–
	90	23	56	36	1,53	10 000	15 000	0,68	▶ 7308 ACCBM	–



Dimensions								Abutment and fillet dimensions						Calculation factors	
d	d ₁ ≈	d ₂ ≈	D ₁ , D ₂ ≈	D ₅ ≈	r _{1,2} min.	r _{3,4} min.	a	d _a min.	d _a max.	D _a max.	D _b max.	r _a max.	r _b max.	A	k _r
mm								mm						–	
35	49,6	41,9	59,9	67,7	1,1	0,6	31	42	49	65	67	1	0,6	0,00674	0,095
	49,6	41,9	58,3	–	1,1	0,6	31	42	–	65	67	1	0,6	0,00674	0,095
	49,6	41,9	58,3	–	1,1	0,6	31	42	–	65	67	1	0,6	0,00674	0,095
	49,6	41,9	58,3	–	1,1	0,6	31	42	–	65	67	1	0,6	0,00674	0,095
	49,6	41,9	58,3	–	1,1	0,6	31	42	–	65	67	1	0,6	0,0073	0,095
	49,4	41,9	58,3	–	1,1	0,6	20	42	–	65	67	1	0,6	0,00277	0,095
	52,5	43,6	65,1	74,3	1,5	1	35	44	52	71	74	1,5	1	0,0111	0,1
	52,5	43,6	63,5	–	1,5	1	35	44	–	71	74	1,5	1	0,0111	0,1
	52,5	43,6	63,5	–	1,5	1	35	44	–	71	74	1,5	1	0,0111	0,1
	52,5	43,6	63,5	–	1,5	1	35	44	–	71	74	1,5	1	0,0111	0,1
	52,5	43,6	63,5	–	1,5	1	35	44	–	71	74	1,5	1	0,0111	0,1
	52,5	43,6	63,5	–	1,5	1	35	44	–	71	74	1,5	1	0,0111	0,1
52,5	43,5	63,2	–	1,5	1	23	44	–	71	74	1,5	1	0,00453	0,1	
40	56,2	48	67,2	75,3	1,1	0,6	34	47	55	73	75	1	0,6	0,0102	0,095
	56,2	48	65,6	–	1,1	0,6	34	47	–	73	75	1	0,6	0,0102	0,095
	56,2	48	65,6	–	1,1	0,6	34	47	–	73	75	1	0,6	0,0102	0,095
	56,2	48	65,6	–	1,1	0,6	34	47	–	73	75	1	0,6	0,0102	0,095
	56,2	48	65,6	–	1,1	0,6	34	47	–	73	75	1	0,6	0,0109	0,095
	56	48	65,5	–	1,1	0,6	23	47	–	73	75	1	0,6	0,00419	0,095
	59,7	49,5	73,9	83	1,5	1	39	49	59	81	84	1,5	1	0,0173	0,1
	59,7	49,5	71,6	–	1,5	1	39	49	–	81	84	1,5	1	0,0173	0,1
	59,7	49,5	71,6	–	1,5	1	39	49	–	81	84	1,5	1	0,0173	0,1
	59,7	49,5	71,6	–	1,5	1	39	49	–	81	84	1,5	1	0,0173	0,1
	59,7	49,5	71,6	–	1,5	1	39	49	–	81	84	1,5	1	0,0173	0,1
	59,5	49,5	71,6	–	1,5	1	39	49	–	81	84	1,5	1	0,0173	0,1
	59,5	49,5	71,6	–	1,5	1	39	49	–	81	84	1,5	1	0,0189	0,1
	59,7	49,5	71,4	–	1,5	1	26	49	–	81	84	1,5	1	0,00707	0,1

3.1 Single row angular contact ball bearings

d 45 – 50 mm

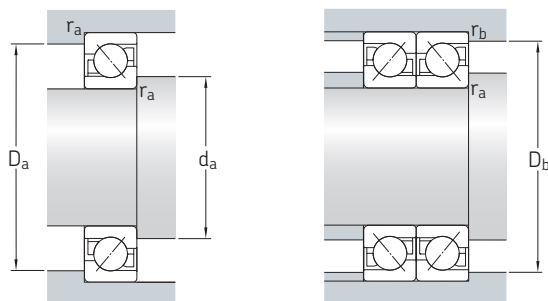


2RZ

3.1



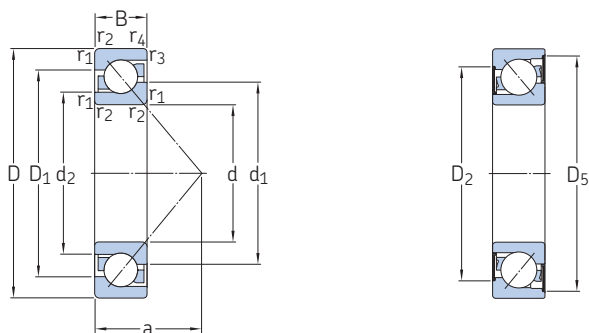
Principal dimensions			Basic load ratings dynamic static		Fatigue load limit	Speed ratings Reference speed Limiting speed		Mass	Designations Universally matchable bearing	Basic design / sealed bearing
d	D	B	C	C ₀	P _u					
mm			kN		kN	r/min		kg	–	
45	85	19	35,8	26	1,12	9 500	7 500	0,52	–	▶ 7209 BE-2RZP
	85	19	38	28,5	1,22	9 500	10 000	0,42	▶ 7209 BECBP	–
	85	19	38	28,5	1,22	9 500	10 000	0,42	▶ 7209 BEGAPH	–
	85	19	38	28,5	1,22	9 500	12 000	0,42	▶ 7209 BECBM	–
	85	19	40	30,5	1,29	9 500	10 000	0,42	▶ 7209 BECBY	–
	85	19	44	32	1,37	10 000	15 000	0,42	▶ 7209 ACCBM	–
	100	25	55,9	37,5	1,6	8 500	6 700	0,85	–	▶ 7309 BE-2RZP
	100	25	55,9	37,5	1,6	8 500	8 000	0,82	–	▶ 7309 BEP
	100	25	61	40,5	1,73	8 500	9 000	0,82	▶ 7309 BECBP	–
	100	25	61	40,5	1,73	8 500	9 000	0,82	▶ 7309 BEGAPH	–
	100	25	61	40,5	1,73	8 500	11 000	0,91	▶ 7309 BECBM	–
	100	25	64	45	1,9	8 500	9 000	0,87	▶ 7309 BECBY	–
100	25	68	45,5	1,93	9 000	13 000	0,91	▶ 7309 ACCBM	–	
50	90	20	37,7	28,5	1,22	9 000	7 000	0,55	–	▶ 7210 BE-2RZP
	90	20	37,7	28,5	1,22	9 000	8 500	0,47	–	▶ 7210 BEP
	90	20	40	31	1,32	9 000	9 000	0,47	▶ 7210 BECBP	–
	90	20	40	31	1,32	9 000	9 000	0,47	▶ 7210 BECBPH	–
	90	20	40	31	1,32	9 000	11 000	0,47	▶ 7210 BECBM	–
	90	20	41,5	33,5	1,4	9 000	9 000	0,47	▶ 7210 BECBY	–
	90	20	45,5	35,5	1,5	9 500	14 000	0,47	▶ 7210 ACCBM	–
	110	27	68,9	47,5	2	7 500	6 000	1,2	–	▶ 7310 BE-2RZP
	110	27	75	51	2,16	7 500	8 000	1,1	▶ 7310 BECBP	–
	110	27	75	51	2,16	7 500	8 000	1,1	▶ 7310 BEGAPH	–
	110	27	75	51	2,16	7 500	10 000	1,1	▶ 7310 BECBM	–
	110	27	78	56	2,36	7 500	8 000	1,15	▶ 7310 BECBY	–
110	27	83	57	2,4	8 000	12 000	1,1	▶ 7310 ACCBM	–	



Dimensions								Abutment and fillet dimensions						Calculation factors	
d	d ₁ ≈	d ₂ ≈	D ₁ , D ₂ ≈	D ₅ ≈	r _{1,2} min.	r _{3,4} min.	a	d _a min.	d _a max.	D _a max.	D _b max.	r _a max.	r _b max.	A	k _r
mm								mm						–	
45	60,8	52,6	71,8	79,9	1,1	0,6	37	52	60	78	80	1	0,6	0,012	0,095
	60,8	52,6	70,2	–	1,1	0,6	37	52	–	78	80	1	0,6	0,012	0,095
	60,8	52,6	70,2	–	1,1	0,6	37	52	–	78	80	1	0,6	0,012	0,095
	60,8	52,6	70,2	–	1,1	0,6	37	52	–	78	80	1	0,6	0,012	0,095
	60,8	52,6	70,2	–	1,1	0,6	37	52	–	78	80	1	0,6	0,0128	0,095
	60,6	52,6	70,1	–	1,1	0,6	24	52	–	78	80	1	0,6	0,00496	0,095
	66,5	55,2	81,4	90,8	1,5	1	43	54	66	91	94	1,5	1	0,0268	0,1
	66,5	55,2	79,9	–	1,5	1	43	54	–	91	94	1,5	1	0,0268	0,1
	66,5	55,2	79,9	–	1,5	1	43	54	–	91	94	1,5	1	0,0268	0,1
	66,5	55,2	79,9	–	1,5	1	43	54	–	91	94	1,5	1	0,0268	0,1
	66,5	55,2	79,9	–	1,5	1	43	54	–	91	94	1,5	1	0,0268	0,1
	66,5	55,2	79,9	–	1,5	1	43	54	–	91	94	1,5	1	0,0292	0,1
66,3	55,2	79,6	–	1,5	1	29	54	–	91	94	1,5	1	0,0109	0,1	
50	65,7	57,6	76,8	84,9	1,1	0,6	39	57	65	83	85	1	0,6	0,014	0,095
	65,7	57,6	75,2	–	1,1	0,6	39	57	–	83	85	1	0,6	0,014	0,095
	65,7	57,6	75,2	–	1,1	0,6	39	57	–	83	85	1	0,6	0,014	0,095
	65,7	57,6	75,2	–	1,1	0,6	39	57	–	83	85	1	0,6	0,014	0,095
	65,7	57,6	75,2	–	1,1	0,6	39	57	–	83	85	1	0,6	0,014	0,095
	65,7	57,6	75,2	–	1,1	0,6	39	57	–	83	85	1	0,6	0,015	0,095
	65,6	57,6	75,1	–	1,1	0,6	26	57	–	83	85	1	0,6	0,00584	0,095
	73,8	61,1	91,6	101	2	1	47	61	73	99	104	2	1	0,0418	0,1
	73,8	61,1	88,8	–	2	1	47	61	–	99	104	2	1	0,0418	0,1
	73,8	61,1	88,8	–	2	1	47	61	–	99	104	2	1	0,0418	0,1
	73,8	61,1	88,8	–	2	1	47	61	–	99	104	2	1	0,0418	0,1
	73,8	61,1	88,8	–	2	1	47	61	–	99	104	2	1	0,0456	0,1
	73,6	61,1	88,4	–	2	1	32	61	–	99	104	2	1	0,017	0,1

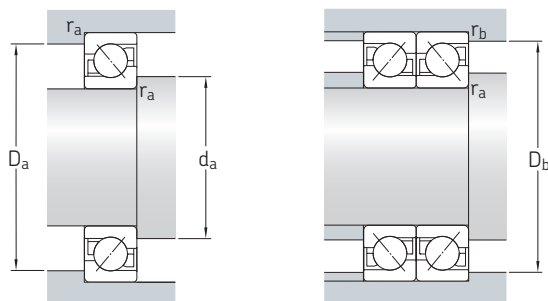
3.1 Single row angular contact ball bearings

d 55 – 60 mm



2RZ

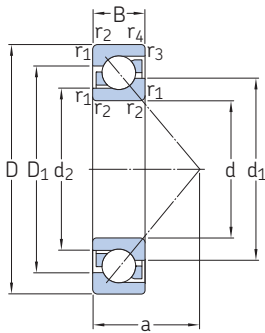
Principal dimensions			Basic load ratings dynamic static		Fatigue load limit	Speed ratings Reference speed Limiting speed		Mass	Designations Universally matchable bearing	Basic design / sealed bearing
d	D	B	C	C ₀	P _u					
mm			kN		kN	r/min		kg	–	
55	100	21	46,2	36	1,53	8 000	6 300	0,62	–	▶ 7211 BE-2RZP
	100	21	46,2	36	1,53	8 000	7 500	0,62	–	▶ 7211 BEP
	100	21	49	40	1,66	8 000	8 000	0,62	▶ 7211 BECBP	–
	100	21	49	40	1,66	8 000	8 000	0,62	▶ 7211 BECBPH	–
	100	21	49	40	1,66	8 000	10 000	0,62	▶ 7211 BECBM	–
	100	21	51	42,5	1,8	8 000	8 000	0,62	▶ 7211 BECBY	–
	100	21	57	45	1,9	8 500	12 000	0,62	▶ 7211 ACCBM	–
	120	29	79,3	55	2,32	7 000	6 700	1,4	–	▶ 7311 BEP
	120	29	85	60	2,55	7 000	7 000	1,4	▶ 7311 BECBP	–
	120	29	85	60	2,55	7 000	7 000	1,4	▶ 7311 BECBPH	–
	120	29	85	60	2,55	7 000	9 000	1,4	▶ 7311 BECBM	–
	120	29	90	65,5	2,75	7 000	7 000	1,4	▶ 7311 BECBY	–
120	29	96,5	67	2,85	7 500	11 000	1,4	▶ 7311 ACCBM	–	
60	110	22	57,2	45,5	1,93	7 000	7 000	0,8	–	▶ 7212 BEP
	110	22	61	50	2,12	7 000	7 500	0,8	▶ 7212 BECBP	–
	110	22	61	50	2,12	7 000	7 500	0,8	▶ 7212 BECBPH	–
	110	22	61	50	2,12	7 000	7 500	0,8	▶ 7212 BECBY	–
	110	22	61	50	2,12	7 000	9 500	0,8	▶ 7212 BECBM	–
	110	22	69,5	56	2,36	8 000	11 000	0,8	▶ 7212 ACCBM	–
	130	31	95,6	69,5	3	6 300	6 000	1,75	–	▶ 7312 BEP
	130	31	104	76,5	3,2	6 300	6 700	1,75	▶ 7312 BECBP	–
	130	31	104	76,5	3,2	6 300	6 700	1,75	▶ 7312 BECBPH	–
	130	31	104	76,5	3,2	6 300	6 700	1,75	▶ 7312 BECBY	–
	130	31	104	76,5	3,2	6 300	8 500	1,75	▶ 7312 BECBM	–
	130	31	116	85	3,6	7 000	10 000	1,75	▶ 7312 ACCBM	–



Dimensions								Abutment and fillet dimensions						Calculation factors	
d	d ₁ ≈	d ₂ ≈	D ₁ , D ₂ ≈	D ₅ ≈	r _{1,2} min.	r _{3,4} min.	a	d _a min.	d _a max.	D _a max.	D _b max.	r _a max.	r _b max.	A	k _r
mm								mm						-	
55	72,5	63,6	85,1	94,3	1,5	1	43	64	72	91	94	1,5	1	0,022	0,095
	72,5	63,6	83,7	-	1,5	1	43	64	-	91	94	1,5	1	0,022	0,095
	72,4	63,6	83,7	-	1,5	1	43	64	-	91	94	1,5	1	0,022	0,095
	72,4	63,6	83,7	-	1,5	1	43	64	-	91	94	1,5	1	0,022	0,095
	72,4	63,6	83,7	-	1,5	1	43	64	-	91	94	1,5	1	0,022	0,095
	72,4	63,6	83,7	-	1,5	1	43	64	-	91	94	1,5	1	0,0235	0,095
	72,6	63,6	83,2	-	1,5	1	28	64	-	91	94	1,5	1	0,00917	0,095
	80,3	66,6	96,6	-	2	1	51	66	-	109	114	2	1	0,0574	0,1
	80,3	66,6	96,6	-	2	1	51	66	-	109	114	2	1	0,0574	0,1
	80,3	66,6	96,6	-	2	1	51	66	-	109	114	2	1	0,0574	0,1
	80,3	66,6	96,6	-	2	1	51	66	-	109	114	2	1	0,0627	0,1
	80,1	66,6	96,2	-	2	1	34	66	-	109	114	2	1	0,0234	0,1
60	79,6	69,3	91,6	-	1,5	1	47	69	-	101	104	1,5	1	0,0344	0,095
	79,6	69,3	91,6	-	1,5	1	47	69	-	101	104	1,5	1	0,0344	0,095
	79,6	69,3	91,6	-	1,5	1	47	69	-	101	104	1,5	1	0,0344	0,095
	79,6	69,3	91,6	-	1,5	1	47	69	-	101	104	1,5	1	0,0344	0,095
	79,6	69,3	91,6	-	1,5	1	46	69	-	101	104	1,5	1	0,0344	0,095
	79,5	69,2	91,5	-	1,5	1	30	69	-	101	104	1,5	1	0,0143	0,095
	87,2	72,6	105	-	2,1	1,1	55	72	-	118	123	2	1	0,0846	0,1
	87,2	72,6	105	-	2,1	1,1	55	72	-	118	123	2	1	0,0846	0,1
	87,2	72,6	105	-	2,1	1,1	55	72	-	118	123	2	1	0,0846	0,1
	87,2	72,6	105	-	2,1	1,1	55	72	-	118	123	2	1	0,0846	0,1
	87,2	72,6	105	-	2,1	1,1	55	72	-	118	123	2	1	0,0846	0,1
	87,1	72,6	105	-	2,1	1,1	37	72	-	118	123	2	1	0,0345	0,1

3.1 Single row angular contact ball bearings

d 65 – 75 mm



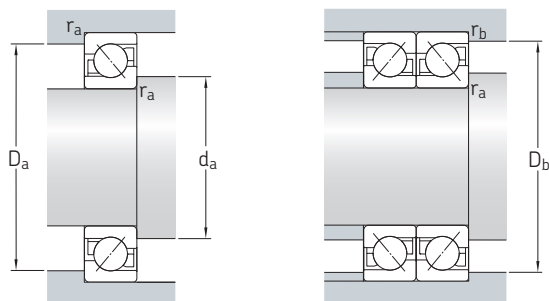
3.1



Principal dimensions			Basic load ratings dynamic static		Fatigue load limit	Speed ratings Reference speed Limiting speed		Mass	Designations Universally matchable bearing	Basic design / sealed bearing
d	D	B	C	C ₀	P _u					
mm			kN		kN	r/min		kg	–	
65	120	23	66,3	54	2,28	6 700	6 300	1	–	▶ 7213 BEP
	120	23	69,5	57	2,45	6 700	6 700	1	▶ 7213 BECBP	–
	120	23	69,5	57	2,45	6 700	6 700	1	▶ 7213 BECBY	–
	120	23	69,5	57	2,45	6 700	6 700	1	7213 BEGAPH	–
	120	23	69,5	57	2,45	6 700	8 500	1	▶ 7213 BECBM	–
	120	23	81,5	65,5	2,8	7 000	10 000	1	7213 ACCBM	–
	140	33	108	80	3,35	6 000	5 600	2,15	–	▶ 7313 BEP
	140	33	116	86,5	3,65	6 000	6 300	2,15	▶ 7313 BECBP	–
	140	33	116	86,5	3,65	6 000	6 300	2,15	7313 BECBPH	–
	140	33	116	86,5	3,65	6 000	6 300	2,15	▶ 7313 BECBY	–
	140	33	116	86,5	3,65	6 000	8 000	2,15	▶ 7313 BECBM	–
	140	33	132	96,5	4,05	6 300	9 500	2,15	7313 ACCBM	–
70	125	24	67,6	56	2,36	6 300	6 000	1,1	–	▶ 7214 BEP
	125	24	72	60	2,55	6 300	6 300	1,1	▶ 7214 BECBP	–
	125	24	72	60	2,55	6 300	6 300	1,1	7214 BECBPH	–
	125	24	72	60	2,55	6 300	8 000	1,1	▶ 7214 BECBM	–
	125	24	75	64	2,7	6 300	6 300	1,1	▶ 7214 BECBY	–
	125	24	83	68	2,9	6 700	10 000	1,1	7214 ACCBM	–
	150	35	119	90	3,65	5 600	5 300	2,65	–	▶ 7314 BEP
	150	35	127	98	3,9	5 600	5 600	2,65	▶ 7314 BECBP	–
	150	35	127	98	3,9	5 600	5 600	2,65	▶ 7314 BECBPH	–
	150	35	127	98	3,9	5 600	5 600	2,65	▶ 7314 BECBY	–
	150	35	127	98	3,9	5 600	5 600	2,65	7314 BEGAPH	–
	150	35	127	98	3,9	5 600	7 000	2,65	▶ 7314 BECBM	–
150	35	143	110	4,4	6 000	8 500	2,65	7314 ACCBM	–	
75	130	25	70,2	60	2,5	6 000	5 600	1,2	–	▶ 7215 BEP
	130	25	73,5	65,5	2,7	6 000	6 300	1,2	▶ 7215 BECBM	–
	130	25	73,5	65,5	2,7	6 000	6 300	1,2	▶ 7215 BECBP	–
	130	25	73,5	65,5	2,7	6 000	6 300	1,2	7215 BECBPH	–
	130	25	76,5	69,5	2,9	6 000	6 300	1,2	▶ 7215 BECBY	–
	160	37	125	98	3,8	5 300	5 000	3,2	–	▶ 7315 BEP
	160	37	132	104	4,15	5 300	5 300	3,2	▶ 7315 BECBP	–
	160	37	132	104	4,15	5 300	5 300	3,2	▶ 7315 BECBY	–
	160	37	132	104	4,15	5 300	5 300	3,2	7315 BEGAPH	–
	160	37	132	104	4,15	5 300	6 700	3,2	▶ 7315 BECBM	–

SKF Explorer bearing

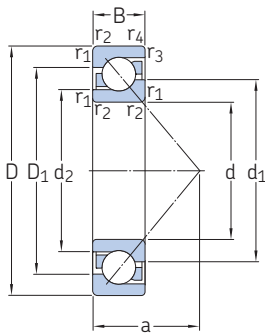
▶ Popular item



Dimensions								Abutment and fillet dimensions						Calculation factors	
d	d ₁ ≈	d ₂ ≈	D ₁ , D ₂ ≈	D ₅ ≈	r _{1,2} min.	r _{3,4} min.	a	d _a min.	d _a max.	D _a max.	D _b max.	r _a max.	r _b max.	A	k _r
mm								mm						–	
65	86,3	75,4	100	–	1,5	1	50	74	–	111	114	1,5	1	0,0478	0,095
	86,3	75,4	99,5	–	1,5	1	50	74	–	111	114	1,5	1	0,0478	0,095
	86,3	75,4	99,5	–	1,5	1	50	74	–	111	114	1,5	1	0,0478	0,095
	86,3	75,4	100	–	1,5	1	50	74	–	111	114	1,5	1	0,0478	0,095
	86,3	75,4	99,5	–	1,5	1	50	74	–	111	114	1,5	1	0,0478	0,095
	86,5	75,5	99,5	–	1,5	1	33	74	–	111	114	1,5	1	0,0199	0,095
	94,1	78,4	113	–	2,1	1,1	60	77	–	128	133	2	1	0,112	0,1
	94,1	78,4	113	–	2,1	1,1	60	77	–	128	133	2	1	0,112	0,1
	94,1	78,4	113	–	2,1	1,1	60	77	–	128	133	2	1	0,112	0,1
	94,1	78,4	113	–	2,1	1,1	60	77	–	128	133	2	1	0,112	0,1
	94,1	78,4	113	–	2,1	1,1	60	77	–	128	133	2	1	0,112	0,1
	94	78,4	113	–	2,1	1,1	40	77	–	128	133	2	1	0,0456	0,1
70	91,5	80,2	105	–	1,5	1	53	79	–	116	119	1,5	1	0,0529	0,095
	91,5	80,2	105	–	1,5	1	53	79	–	116	119	1,5	1	0,0529	0,095
	91,5	80,2	105	–	1,5	1	53	79	–	116	119	1,5	1	0,0529	0,095
	91,5	80,2	105	–	1,5	1	53	79	–	116	119	1,5	1	0,0529	0,095
	91,5	80,2	105	–	1,5	1	53	79	–	116	119	1,5	1	0,0529	0,095
	91,5	80,2	105	–	1,5	1	53	79	–	116	119	1,5	1	0,0564	0,095
	91,4	80,2	105	–	1,5	1	34	79	–	116	119	1,5	1	0,022	0,095
	101	84,4	122	–	2,1	1,1	64	82	–	138	143	2	1	0,145	0,1
	101	84,4	122	–	2,1	1,1	64	82	–	138	143	2	1	0,145	0,1
	101	84,4	122	–	2,1	1,1	64	82	–	138	143	2	1	0,145	0,1
	101	84,4	122	–	2,1	1,1	64	82	–	138	143	2	1	0,145	0,1
	101	84,4	122	–	2,1	1,1	64	82	–	138	143	2	1	0,145	0,1
100	84,4	121	–	2,1	1,1	43	82	–	138	143	2	1	0,0592	0,1	
75	96,3	85,2	111	–	1,5	1	56	84	–	121	124	1,5	1	0,0599	0,095
	96,3	85,2	111	–	1,5	1	56	84	–	121	124	1,5	1	0,0599	0,095
	96,3	85,2	111	–	1,5	1	56	84	–	121	124	1,5	1	0,0599	0,095
	96,3	85,2	111	–	1,5	1	56	84	–	121	124	1,5	1	0,0599	0,095
	96,3	85,2	111	–	1,5	1	56	84	–	121	124	1,5	1	0,0599	0,095
	108	91,1	129	–	2,1	1,1	68	87	–	148	153	2	1	0,171	0,1
	108	91,1	129	–	2,1	1,1	68	87	–	148	153	2	1	0,171	0,1
	108	91,1	129	–	2,1	1,1	68	87	–	148	153	2	1	0,171	0,1
	108	91,1	129	–	2,1	1,1	68	87	–	148	153	2	1	0,171	0,1
	108	91,1	129	–	2,1	1,1	68	87	–	148	153	2	1	0,171	0,1
	108	91,1	129	–	2,1	1,1	68	87	–	148	153	2	1	0,171	0,1
	108	91,1	129	–	2,1	1,1	68	87	–	148	153	2	1	0,171	0,1

3.1 Single row angular contact ball bearings

d 80 – 90 mm



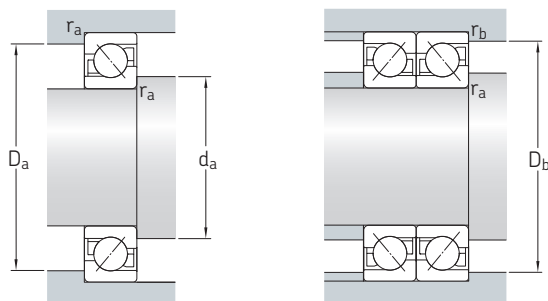
3.1



Principal dimensions			Basic load ratings dynamic static		Fatigue load limit	Speed ratings Reference speed Limiting speed		Mass	Designations Universally matchable bearing	Basic design / sealed bearing	
d	D	B	C	C ₀	P _u						
mm			kN		kN	r/min		kg	–		
80	140	26	80,6	69,5	2,8	5 600	5 300	1,45	–	▶ 7216 BEP	
	140	26	85	75	3,05	5 600	5 600	1,45	▶ 7216 BECBP	–	
	140	26	85	75	3,05	5 600	5 600	1,45	▶ 7216 BECBPH	–	
	140	26	85	75	3,05	5 600	5 600	1,45	▶ 7216 BECBY	–	
	140	26	85	75	3,05	5 600	5 600	1,45	▶ 7216 BEGAPH	–	
	140	26	85	75	3,05	5 600	7 000	1,45	▶ 7216 BECBM	–	
	170	39	135	110	4,15	5 000	4 500	3,8	–	▶ 7316 BEP	
	170	39	135	110	4,15	5 000	4 800	3,8	–	▶ 7316 BEM	
	170	39	143	118	4,5	5 000	5 000	3,8	▶ 7316 BECBP	–	
	170	39	143	118	4,5	5 000	5 000	3,8	▶ 7316 BECBPH	–	
	170	39	143	118	4,5	5 000	5 000	3,8	▶ 7316 BECBY	–	
	170	39	143	118	4,5	5 000	6 300	3,8	▶ 7316 BECBM	–	
85	150	28	95,6	83	3,25	5 300	5 000	1,85	–	▶ 7217 BEP	
	150	28	102	90	3,55	5 300	5 300	1,85	▶ 7217 BECBP	–	
	150	28	102	90	3,55	5 300	5 300	1,85	▶ 7217 BECBY	–	
	150	28	102	90	3,55	5 300	6 700	1,85	▶ 7217 BECBM	–	
	180	41	146	122	4,5	4 500	4 300	4,45	–	▶ 7317 BEP	
	180	41	146	122	4,5	4 500	4 500	4,45	–	▶ 7317 BEM	
	180	41	156	132	4,9	4 500	4 800	4,45	▶ 7317 BECBP	–	
	180	41	156	132	4,9	4 500	4 800	4,45	▶ 7317 BECBY	–	
	180	41	156	132	4,9	4 500	4 800	4,45	▶ 7317 BEGAPH	–	
	180	41	156	132	4,9	4 500	6 000	4,45	▶ 7317 BECBM	–	
	90	160	30	108	96,5	3,65	5 000	4 500	2,3	–	▶ 7218 BEP
		160	30	116	104	4	5 000	5 000	2,3	▶ 7218 BECBP	–
160		30	116	104	4	5 000	5 000	2,3	▶ 7218 BECBY	–	
160		30	116	104	4	5 000	6 300	2,3	▶ 7218 BECBM	–	
190		43	156	134	4,8	4 300	4 000	5,2	–	▶ 7318 BEP	
190		43	156	134	4,8	4 300	4 300	5,2	–	▶ 7318 BEM	
190		43	166	146	5,3	4 300	4 500	5,2	▶ 7318 BECBP	–	
190		43	166	146	5,3	4 300	4 500	5,2	▶ 7318 BECBY	–	
190		43	166	146	5,3	4 300	4 500	5,2	▶ 7318 BEGAPH	–	
190		43	166	146	5,3	4 300	5 600	5,2	▶ 7318 BECBM	–	

SKF Explorer bearing

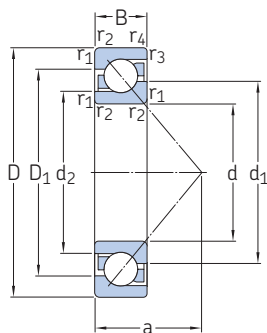
▶ Popular item



Dimensions								Abutment and fillet dimensions						Calculation factors	
d	d ₁ ≈	d ₂ ≈	D ₁ , D ₂ ≈	D ₅ ≈	r _{1,2} min.	r _{3,4} min.	a	d _a min.	d _a max.	D _a max.	D _b max.	r _a max.	r _b max.	A	k _r
mm								mm						–	
80	103	91,4	118	–	2	1	59	91	–	130	134	2	1	0,0801	0,095
	103	91,4	118	–	2	1	59	91	–	130	134	2	1	0,0801	0,095
	103	91,4	118	–	2	1	59	91	–	130	134	2	1	0,0801	0,095
	103	91,4	118	–	2	1	59	91	–	130	134	2	1	0,0801	0,095
	103	91,4	118	–	2	1	59	91	–	130	134	2	1	0,0801	0,095
	103	91,4	118	–	2	1	59	91	–	130	134	2	1	0,0801	0,095
	115	97	137	–	2,1	1,1	72	92	–	158	163	2	1	0,216	0,1
	115	97	137	–	2,1	1,1	72	92	–	158	163	2	1	0,216	0,1
	115	97	137	–	2,1	1,1	72	92	–	158	163	2	1	0,216	0,1
	115	97	137	–	2,1	1,1	72	92	–	158	163	2	1	0,216	0,1
	115	97	137	–	2,1	1,1	72	92	–	158	163	2	1	0,216	0,1
	115	97	137	–	2,1	1,1	72	92	–	158	163	2	1	0,216	0,1
85	110	97	127	–	2	1	63	96	–	139	144	2	1	0,114	0,095
	110	97	127	–	2	1	63	96	–	139	144	2	1	0,114	0,095
	110	97	127	–	2	1	63	96	–	139	144	2	1	0,114	0,095
	110	97	127	–	2	1	63	96	–	139	144	2	1	0,114	0,095
	122	103	145	–	3	1,1	76	99	–	166	173	2,5	1	0,27	0,1
	122	103	145	–	3	1,1	76	99	–	166	173	2,5	1	0,27	0,1
	122	103	145	–	3	1,1	76	99	–	166	173	2,5	1	0,27	0,1
	122	103	145	–	3	1,1	76	99	–	166	173	2,5	1	0,27	0,1
	122	103	145	–	3	1,1	76	99	–	166	173	2,5	1	0,27	0,1
	122	103	145	–	3	1,1	76	99	–	166	173	2,5	1	0,27	0,1
	122	103	145	–	3	1,1	76	99	–	166	173	2,5	1	0,27	0,1
	122	103	145	–	3	1,1	76	99	–	166	173	2,5	1	0,27	0,1
90	117	103	135	–	2	1	67	101	–	149	154	2	1	0,149	0,095
	117	103	135	–	2	1	67	101	–	149	154	2	1	0,149	0,095
	117	103	135	–	2	1	67	101	–	149	154	2	1	0,149	0,095
	117	103	135	–	2	1	67	101	–	149	154	2	1	0,149	0,095
	129	108	154	–	3	1,1	80	104	–	176	183	2,5	1	0,333	0,1
	129	108	154	–	3	1,1	80	104	–	176	183	2,5	1	0,333	0,1
	129	108	154	–	3	1,1	80	104	–	176	183	2,5	1	0,333	0,1
	129	108	154	–	3	1,1	80	104	–	176	183	2,5	1	0,333	0,1
	129	108	154	–	3	1,1	80	104	–	176	183	2,5	1	0,333	0,1
	129	108	154	–	3	1,1	80	104	–	176	183	2,5	1	0,333	0,1
	129	108	154	–	3	1,1	80	104	–	176	183	2,5	1	0,333	0,1
	129	108	154	–	3	1,1	80	104	–	176	183	2,5	1	0,333	0,1

3.1 Single row angular contact ball bearings

d 95 – 110 mm



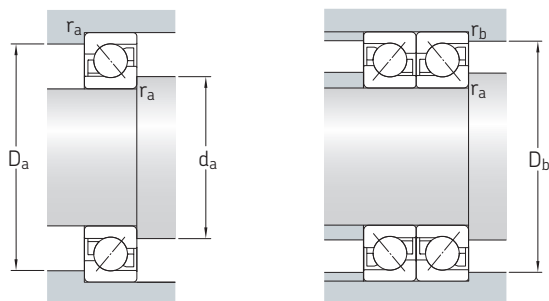
3.1



Principal dimensions			Basic load ratings dynamic static		Fatigue load limit	Speed ratings Reference speed Limiting speed		Mass	Designations Universally matchable bearing	Basic design / sealed bearing
d	D	B	C	C ₀	P _u					
mm			kN		kN	r/min		kg	–	
95	170	32	124	108	4	4 500	4 300	2,7	–	▶ 7219 BEP
	170	32	129	118	4,4	4 500	4 800	2,7	▶ 7219 BECBP	–
	170	32	129	118	4,4	4 500	4 800	2,7	▶ 7219 BECBY	–
	170	32	129	118	4,4	4 500	4 800	2,7	7219 BEGAPH	–
	170	32	129	118	4,4	4 500	6 000	2,7	▶ 7219 BECBM	–
	200	45	168	150	5,2	4 000	3 800	6,05	–	▶ 7319 BEP
	200	45	168	150	5,2	4 000	4 000	6,05	–	▶ 7319 BEM
	200	45	180	163	5,7	4 000	4 300	6,05	▶ 7319 BECBP	–
	200	45	180	163	5,7	4 000	4 300	6,05	▶ 7319 BECBY	–
	200	45	180	163	5,7	4 000	5 300	6,05	▶ 7319 BECBM	–
100	180	34	135	122	4,4	4 300	4 000	3,3	–	▶ 7220 BEP
	180	34	143	134	4,75	4 300	4 500	3,3	▶ 7220 BECBP	–
	180	34	143	134	4,75	4 300	4 500	3,3	▶ 7220 BECBY	–
	180	34	143	134	4,75	4 300	5 600	3,3	▶ 7220 BECBM	–
	215	47	203	190	6,4	3 800	3 600	7,5	–	▶ 7320 BEM
	215	47	203	190	6,4	3 800	3 600	7,5	–	▶ 7320 BEP
	215	47	216	208	6,95	3 800	4 000	7,5	▶ 7320 BECBP	–
	215	47	216	208	6,95	3 800	4 000	7,5	▶ 7320 BECBY	–
215	47	216	208	6,95	3 800	5 000	7,5	▶ 7320 BECBM	–	
105	190	36	156	150	5,2	4 000	4 300	3,95	▶ 7221 BECBP	–
	190	36	156	150	5,2	4 000	5 300	3,95	▶ 7221 BECBM	–
	225	49	203	193	6,4	3 600	3 400	8,55	–	▶ 7321 BEP
	225	49	216	208	6,95	3 600	3 800	8,55	▶ 7321 BECBP	–
225	49	216	208	6,95	3 600	4 800	8,55	▶ 7321 BECBM	–	
110	200	38	153	143	4,9	4 000	3 600	4,6	–	▶ 7222 BEP
	200	38	163	156	5,3	4 000	4 000	4,6	▶ 7222 BECBP	–
	200	38	163	156	5,3	4 000	4 000	4,6	▶ 7222 BECBY	–
	200	38	163	156	5,3	4 000	5 000	4,6	▶ 7222 BECBM	–
	240	50	225	224	7,2	3 400	3 200	10	–	7322 BEY
	240	50	225	224	7,2	3 400	3 400	10	–	▶ 7322 BEM
	240	50	240	245	7,8	3 400	3 600	10	▶ 7322 BECBP	–
	240	50	240	245	7,8	3 400	3 600	10	▶ 7322 BECBY	–
	240	50	240	245	7,8	3 400	4 500	10	▶ 7322 BECBM	–

SKF Explorer bearing

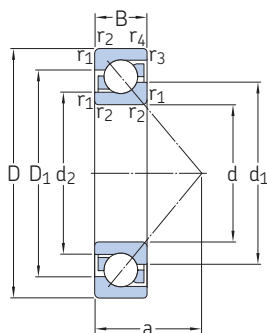
▶ Popular item



Dimensions								Abutment and fillet dimensions						Calculation factors		
d	d ₁ ≈	d ₂ ≈	D ₁ , D ₂ ≈	D ₅ ≈	r _{1,2} min.	r _{3,4} min.	a	d _a min.	d _a max.	D _a max.	D _b max.	r _a max.	r _b max.	A	k _r	
mm								mm						-		
95	124	109	143	-	2,1	1,1	72	107	-	158	163	2	1	0,191	0,095	
	124	109	143	-	2,1	1,1	72	107	-	158	163	2	1	0,191	0,095	
	124	109	143	-	2,1	1,1	72	107	-	158	163	2	1	0,191	0,095	
	124	109	143	-	2,1	1,1	72	107	-	158	163	2	1	0,191	0,095	
	136	114	162	-	3	1,1	84	109	-	186	193	2,5	1	0,406	0,1	
	136	114	162	-	3	1,1	84	109	-	186	193	2,5	1	0,406	0,1	
	136	114	162	-	3	1,1	84	109	-	186	193	2,5	1	0,406	0,1	
	136	114	162	-	3	1,1	84	109	-	186	193	2,5	1	0,406	0,1	
	136	114	162	-	3	1,1	84	109	-	186	193	2,5	1	0,406	0,1	
	136	114	162	-	3	1,1	84	109	-	186	193	2,5	1	0,406	0,1	
	100	130	115	151	-	2,1	1,1	76	112	-	168	173	2	1	0,239	0,095
		130	115	151	-	2,1	1,1	76	112	-	168	173	2	1	0,239	0,095
130		115	151	-	2,1	1,1	76	112	-	168	173	2	1	0,239	0,095	
130		115	151	-	2,1	1,1	76	112	-	168	173	2	1	0,239	0,095	
144		120	174	-	3	1,1	90	114	-	201	208	2,5	1	0,63	0,1	
144		120	174	-	3	1,1	90	114	-	201	208	2,5	1	0,63	0,1	
144		120	174	-	3	1,1	90	114	-	201	208	2,5	1	0,63	0,1	
144		120	174	-	3	1,1	90	114	-	201	208	2,5	1	0,63	0,1	
144		120	174	-	3	1,1	90	114	-	201	208	2,5	1	0,63	0,1	
144		120	174	-	3	1,1	90	114	-	201	208	2,5	1	0,63	0,1	
105		137	121	160	-	2,1	1,1	80	117	-	178	183	2	1	0,302	0,095
		137	121	160	-	2,1	1,1	80	117	-	178	183	2	1	0,302	0,095
	151	127	182	-	3	1,1	94	119	-	211	218	2,5	1	0,669	0,1	
	151	127	182	-	3	1,1	94	119	-	211	218	2,5	1	0,669	0,1	
	151	127	182	-	3	1,1	94	119	-	211	218	2,5	1	0,669	0,1	
	151	127	182	-	3	1,1	94	119	-	211	218	2,5	1	0,669	0,1	
110	144	127	168	-	2,1	1,1	84	122	-	188	193	2	1	0,353	0,095	
	144	127	168	-	2,1	1,1	84	122	-	188	193	2	1	0,353	0,095	
	144	127	168	-	2,1	1,1	84	122	-	188	193	2	1	0,353	0,095	
	144	127	168	-	2,1	1,1	84	122	-	188	193	2	1	0,353	0,095	
	160	134	194	-	3	1,1	99	124	-	226	233	2,5	1	0,906	0,1	
	160	134	194	-	3	1,1	99	124	-	226	233	2,5	1	0,906	0,1	
	160	134	194	-	3	1,1	99	124	-	226	233	2,5	1	0,906	0,1	
	160	134	194	-	3	1,1	99	124	-	226	233	2,5	1	0,906	0,1	
	160	134	194	-	3	1,1	99	124	-	226	233	2,5	1	0,906	0,1	
	160	134	194	-	3	1,1	99	124	-	226	233	2,5	1	0,906	0,1	
	160	134	194	-	3	1,1	99	124	-	226	233	2,5	1	0,906	0,1	

3.1 Single row angular contact ball bearings

d 120 – 300 mm

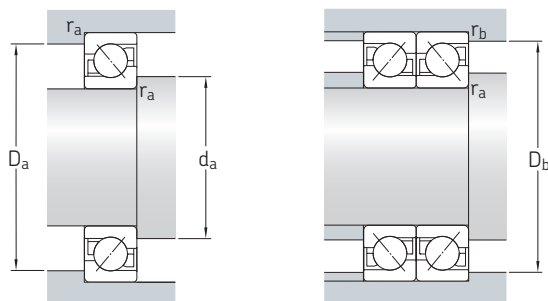


3.1



Principal dimensions			Basic load ratings dynamic static		Fatigue load limit	Speed ratings Reference speed Limiting speed		Mass	Designations Universally matchable bearing	Basic design / sealed bearing	
d	D	B	C	C ₀	P _u						
mm			kN		kN	r/min		kg	–		
120	180	28	87,1	93	3,2	4 000	4 000	2,4	▶ 7024 BGM	–	
	215	40	165	163	5,3	3 600	4 000	5,9	▶ 7224 BCBM	▶ 7224 BM	
	260	55	238	250	7,65	3 000	3 600	14,5	▶ 7324 BCBM	–	
130	230	40	186	193	6,1	3 400	3 800	6,95	▶ 7226 BCBM	▶ 7226 BM	
	280	58	276	305	9	2 800	3 400	17	▶ 7326 BCBM	▶ 7326 BM	
140	210	33	114	129	4,15	3 400	3 400	3,85	▶ 7028 BGM	–	
	250	42	199	212	6,4	3 000	3 600	8,85	▶ 7228 BCBM	▶ 7228 BM	
	300	62	302	345	9,8	2 600	3 000	21,5	▶ 7328 BCBM	–	
150	225	35	133	146	4,55	3 200	3 200	4,7	7030 BGM	–	
	270	45	216	240	6,95	2 800	3 200	11,5	▶ 7230 BCBM	–	
	320	65	332	390	10,8	2 400	2 800	26	▶ 7330 BCBM	–	
160	290	48	255	300	8,5	2 600	3 000	14	▶ 7232 BCBM	–	
	170	260	42	172	204	5,85	2 800	2 800	7,65	7034 BGM	–
		310	52	281	345	9,5	2 400	2 800	17,5	▶ 7234 BCBM	–
360	72	390	490	12,7	2 200	2 600	36	▶ 7334 BCBM	–		
180	280	46	195	240	6,7	2 600	2 600	10	7036 BGM	–	
	320	52	291	375	10	2 400	2 600	18	▶ 7236 BCBM	–	
	380	75	410	540	13,7	2 000	2 400	42	▶ 7336 BCBM	–	
190	290	46	199	255	6,95	2 400	2 400	10,5	7038 BGM	–	
	340	55	307	405	10,4	2 000	2 600	22	▶ 7238 BCBM	–	
	400	78	442	600	14,6	2 000	2 200	48,5	▶ 7338 BCBM	–	
200	310	51	225	290	7,8	2 200	2 200	18	▶ 7040 BGM	–	
	360	58	325	430	11	2 000	2 400	25	▶ 7240 BCBM	–	
	420	80	462	655	15,6	1 900	2 200	53	7340 BCBM	–	
220	340	56	255	355	9	2 000	2 000	18	7044 BGM	–	
	400	65	390	560	13,4	1 900	2 200	37	7244 BCBM	–	
240	360	56	260	375	9,15	1 900	1 900	19	▶ 7048 BGM	–	
	440	72	449	670	15,3	1 600	2 600	49	▶ 7248 BCBM	–	
260	400	65	332	510	11,8	1 700	1 700	30	7052 BGM	–	
280	420	65	338	540	12,2	1 600	1 600	30	7056 BGM	–	
	500	80	507	830	17,6	1 400	1 400	67,5	–	7256 BM	
300	540	85	553	930	19,3	1 300	1 300	85	7260 BCBM	–	

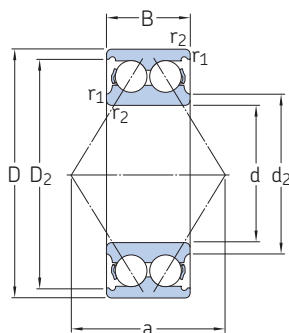
▶ Popular item



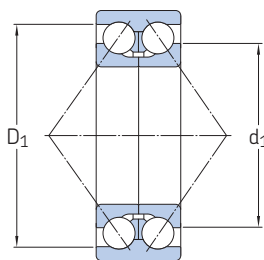
Dimensions								Abutment and fillet dimensions						Calculation factors	
d	d ₁ ≈	d ₂ ≈	D ₁ , D ₂ ≈	D ₅ ≈	r _{1,2} min.	r _{3,4} min.	a	d _a min.	d _a max.	D _a max.	D _b max.	r _a max.	r _b max.	A	k _r
mm								mm						–	
120	143	132	158	–	2	1	77	130	–	170	174	2	1	0,139	0,083
	157	138	180	–	2,1	1,1	90	132	–	203	208	2	1	0,45	0,08
	178	153	211	–	3	1,5	107	134	–	246	253	2,5	1	1,11	0,09
130	168	149	193	–	3	1,1	96	144	–	216	222	2,5	1	0,605	0,08
	189	161	228	–	4	1,5	115	147	–	263	271	3	1,5	1,65	0,09
140	167	154	185	–	2	1	90	150	–	200	204	2	1	0,263	0,083
	183	163	210	–	3	1,1	103	154	–	236	243	2,5	1	0,763	0,08
	202	172	243	–	4	1,5	123	158	–	283	291	3	1,5	2,14	0,09
150	179	166	198	–	2,1	1,1	96	162	–	213	218	2	1	0,349	0,083
	197	175	226	–	3	1,1	111	164	–	256	263	2,5	1	1,01	0,08
	216	183	259	–	4	1,5	131	167	–	303	311	3	1,5	2,74	0,09
160	211	187	243	–	3	1,1	118	174	–	276	283	2,5	1	1,48	0,08
170	205	189	227	–	2,1	1,1	111	182	–	248	253	2	1	0,643	0,083
	227	202	262	–	4	1,5	127	187	–	293	301	3	1,5	2	0,08
	243	207	292	–	4	2	147	187	–	343	351	3	2	4,32	0,09
180	219	201	244	–	2,1	1,1	119	192	–	268	273	2	1	0,912	0,083
	234	209	269	–	4	1,5	131	197	–	303	311	3	1,5	2,21	0,08
	257	219	308	–	4	2	156	197	–	363	370	3	2	5,33	0,09
190	229	211	254	–	2,1	1,1	124	202	–	278	283	2	1	1	0,083
	250	224	286	–	4	1,5	139	207	–	323	331	3	1,5	2,63	0,08
	271	231	325	–	5	2	164	210	–	380	390	4	2	6,5	0,09
200	243	224	270	–	2,1	1,1	145	234	–	285	333	2,5	1,1	1,37	0,083
	263	235	301	–	4	1,5	146	217	–	343	351	3	1,5	3,2	0,08
	286	247	340	–	5	2	170	220	–	400	410	4	2	7,5	0,09
220	267	245	296	–	3	1,1	145	234	–	326	333	2,5	1,1	1,97	0,083
	291	259	334	–	4	1,5	164	237	–	383	391	3	1,5	5,13	0,08
240	287	265	316	–	3	1,1	154	254	–	346	353	2,5	1,1	2,23	0,082
	322	292	361	–	4	1,5	180	257	–	423	431	4	1,5	5,12	0,08
260	314	289	349	–	4	1,5	171	276	–	373	380	3	1,5	3,94	0,083
280	334	309	369	–	4	1,5	179	298	–	402	411	3	1,5	4,4	0,083
	367	328	418	–	5	2	204	300	–	480	489	4	2	11,3	0,08
300	395	351	450	–	5	2	219	322	–	518	528	4	2	15,2	0,08

3.2 Double row angular contact ball bearings

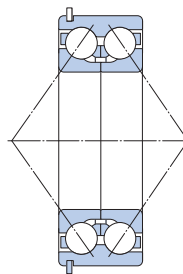
d 10 – 50 mm



32A, 33A



33 D



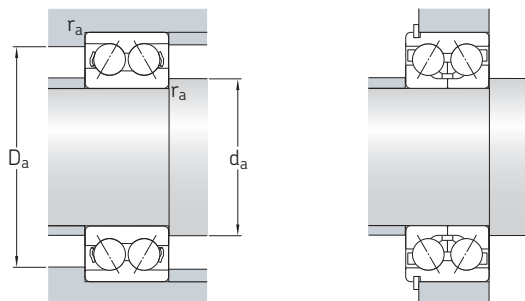
33 DNRCBM1)

Principal dimensions			Basic load ratings		Fatigue load limit	Speed ratings		Mass	Designations	
d	D	B	dynamic	static		Reference speed	Limiting speed		Bearing with metal cage	polyamide cage
mm			kN		kN	r/min		kg	–	
10	30	14	7,61	4,3	0,183	26 000	24 000	0,051	–	▶ 3200 ATN9
12	32	15,9	10,1	5,6	0,24	24 000	22 000	0,058	–	▶ 3201 ATN9
15	35	15,9	11,2	6,8	0,285	22 000	18 000	0,066	–	▶ 3202 ATN9
	42	19	15,1	9,3	0,4	18 000	16 000	0,13	–	▶ 3302 ATN9
17	40	17,5	14,3	8,8	0,365	19 000	16 000	0,096	–	▶ 3203 ATN9
	47	22,2	21,6	12,7	0,54	17 000	14 000	0,18	–	3303 ATN9
20	47	20,6	20,4	12,9	0,55	16 000	14 000	0,16	▶ 3204 A	▶ 3204 ATN9
	52	22,2	23,6	14,6	0,62	15 000	13 000	0,22	▶ 3304 A	▶ 3304 ATN9
25	52	20,6	21,6	14,3	0,6	14 000	12 000	0,18	▶ 3205 A	▶ 3205 ATN9
	62	25,4	32	20,4	0,865	12 000	11 000	0,35	▶ 3305 A	▶ 3305 ATN9
30	62	23,8	30	20,4	0,865	11 000	10 000	0,29	▶ 3206 A	▶ 3206 ATN9
	72	30,2	42,5	30	1,27	10 000	9 000	0,52	▶ 3306 A	▶ 3306 ATN9
35	72	27	40	28	1,18	10 000	9 000	0,44	▶ 3207 A	▶ 3207 ATN9
	80	34,9	52	35,5	1,5	9 500	8 500	0,74	▶ 3307 A	▶ 3307 ATN9
	80	34,9	52,7	41,5	1,76	9 000	8 000	0,79	3307 DJ1	–
40	80	30,2	48	36,5	1,56	9 000	8 000	0,57	▶ 3208 A	▶ 3208 ATN9
	90	36,5	49,4	41,5	1,76	8 000	7 000	1,2	3308 DNRCBM	–
	90	36,5	64	44	1,86	8 000	7 500	0,93	▶ 3308 A	▶ 3308 ATN9
	90	36,5	68,9	57	2,45	8 000	7 000	1,05	▶ 3308 DMA	–
90	36,5	68,9	57	2,45	8 000	7 000	1,05	3308 DTN9	–	
45	85	30,2	51	39	1,63	8 500	7 500	0,63	▶ 3209 A	▶ 3209 ATN9
	100	39,7	61,8	52	2,2	7 500	6 300	1,5	3309 DNRCBM	–
	100	39,7	75	53	2,24	7 500	6 700	1,25	▶ 3309 A	▶ 3309 ATN9
100	39,7	79,3	69,5	3	7 500	6 300	1,65	3309 DMA	–	
50	90	30,2	51	42,5	1,8	8 000	7 000	0,65	▶ 3210 A	▶ 3210 ATN9
	110	44,4	81,9	69,5	3	6 700	5 600	1,95	3310 DNRCBM	–
	110	44,4	90	64	2,75	6 700	6 000	1,7	▶ 3310 A	▶ 3310 ATN9
	110	44,4	93,6	85	3,6	6 700	5 600	2,2	▶ 3310 DMA	–

SKF Explorer bearing

▶ Popular item

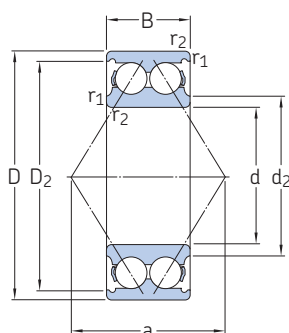
1) For dimensions of snap ring groove and snap ring → table 7, page 395



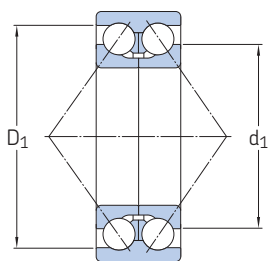
Dimensions							Abutment and fillet dimensions			Calculation factor
d	d ₁ ≈	d ₂ ≈	D ₁ ≈	D ₂ ≈	r _{1,2} min.	a	d _a min.	D _a max.	r _a max.	k _r
mm							mm			–
10	–	15,8	–	25	0,6	16	14,4	25,6	0,6	0,06
12	–	17,2	–	27,7	0,6	19	16,4	27,6	0,6	0,06
15	–	20,2	–	30,7	0,6	21	19,4	30,6	0,6	0,06
	–	23,7	–	35,7	1	24	20,6	36,4	1	0,07
17	–	23,3	–	35	0,6	23	21,4	35,6	0,6	0,06
	–	25,7	–	40,2	1	28	22,6	41,4	1	0,07
20	–	27,7	–	40,9	1	28	25,6	41,4	1	0,06
	–	29,9	–	44	1,1	30	27	45	1	0,07
25	–	32,7	–	45,9	1	30	31	46	1	0,06
	–	35,7	–	53,4	1,1	36	32	55	1	0,07
30	–	38,7	–	55,2	1	36	36	56	1	0,06
	–	39,8	–	64,1	1,1	42	37	65	1	0,07
35	–	45,4	–	63,9	1,1	42	42	65	1	0,06
	–	44,6	–	70,5	1,5	47	44	71	1,5	0,07
	52,8	–	69	–	1,5	76	44	71	1,5	0,095
40	–	47,8	–	72,1	1,1	46	47	73	1	0,06
	61,1	–	77,5	–	1,5	71	49	–	1,5	0,095
	–	50,8	–	80,5	1,5	53	49	81	1,5	0,07
	59,4	–	77,8	–	1,5	84	49	81	1,5	0,095
	59,4	–	77,8	–	1,5	84	49	81	1,5	0,095
45	–	52,8	–	77,1	1,1	46	52	78	1	0,06
	67,9	–	86,6	–	1,5	79	54	–	1,5	0,095
	–	55,6	–	90	1,5	58	54	91	1,5	0,07
	70	–	86,4	–	1,5	93	54	91	1,5	0,095
50	–	57,8	–	82,1	1,1	52	57	83	1	0,06
	74,6	–	96,4	–	2	102	61	–	2	0,095
	–	62	–	99,5	2	65	61	99	2	0,07
	76,5	–	94,2	–	2	102	61	99	2	0,095

3.2 Double row angular contact ball bearings

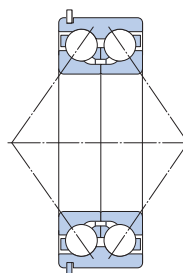
d 55 – 110 mm



32A, 33A



33 D



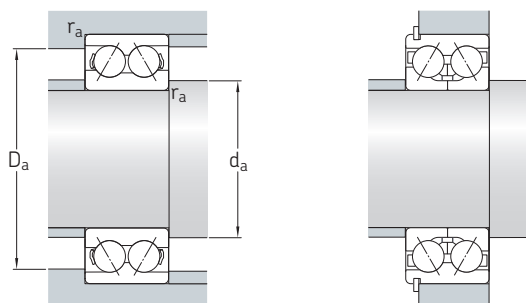
33 DNRCBM1)

Principal dimensions			Basic load ratings		Fatigue load limit	Speed ratings		Mass	Designations Bearing with metal cage	polyamide cage
d	D	B	C	C ₀		Reference speed	Limiting speed			
mm			kN		kN	r/min		kg	–	
55	100	33,3	60	47,5	2	6 300	6 300	0,91	▶ 3211 A ▶ 3311 DNRCBM ▶ 3311 DMA	▶ 3211 ATN9 – –
	120	49,2	95,6	83	3,55	5 000	5 300	2,55		
	120	49,2	111	100	4,3	4 800	5 000	2,8		
	120	49,2	112	81,5	3,45	5 300	5 300	2,65	▶ 3311 A	▶ 3311 ATN9
60	110	36,5	73,5	58,5	2,5	6 300	5 600	1,2	▶ 3212 A ▶ 3312 A	▶ 3212 ATN9 –
	130	54	127	95	4,05	5 600	5 000	2,8		
65	120	38,1	80,6	73,5	3,1	5 600	4 800	1,75	▶ 3213 A ▶ 3313 DNRCBM ▶ 3313 A	– – –
	140	58,7	138	122	5,1	5 300	4 500	4		
	140	58,7	146	110	4,55	5 300	4 500	4,1		
70	125	39,7	88,4	80	3,4	5 600	4 500	1,9	▶ 3214 A ▶ 3314 A	– –
	150	63,5	163	125	5	5 000	4 300	5,05		
75	130	41,3	95,6	88	3,75	5 300	4 500	2,1	▶ 3215 A ▶ 3315 A	– –
	160	68,3	176	140	5,5	4 500	4 000	5,55		
80	140	44,4	106	95	3,9	5 000	4 300	2,65	▶ 3216 A ▶ 3316 A	– –
	170	68,3	193	156	6	4 300	3 800	6,8		
85	150	49,2	124	110	4,4	4 500	3 800	3,4	▶ 3217 A ▶ 3317 A	– –
	180	73	208	176	6,55	4 000	3 600	8,3		
90	160	52,4	130	120	4,55	4 300	3 600	4,15	▶ 3218 A ▶ 3318 A	– –
	190	73	208	180	6,4	3 800	3 400	9,25		
95	170	55,6	159	146	5,4	4 000	3 400	5	▶ 3219 A ▶ 3319 A	– –
	200	77,8	240	216	7,5	3 600	3 200	11		
100	180	60,3	178	166	6	3 800	3 200	6,1	▶ 3220 A ▶ 3320 A	– –
	215	82,6	255	255	8,65	3 400	2 800	13,5		
110	200	69,8	212	212	7,2	3 400	2 800	8,8	▶ 3222 A ▶ 3322 A	– –
	240	92,1	291	305	9,8	3 000	2 600	19		

SKF Explorer bearing

▶ Popular item

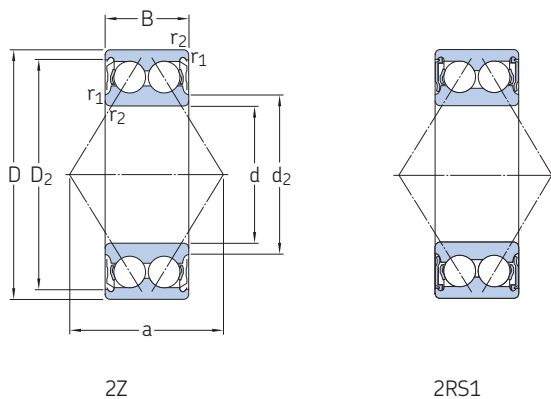
1) For dimensions of snap ring groove and snap ring → table 7, page 395



Dimensions							Abutment and fillet dimensions			Calculation factor
d	d ₁ ≈	d ₂ ≈	D ₁ ≈	D ₂ ≈	r _{1,2} min.	a	d _a min.	D _a max.	r _a max.	k _r
mm							mm			–
55	–	63,2	–	92,3	1,5	57	63	91	1,5	0,06
	81,5	–	106	–	2	97	66	–	2	0,095
	81,4	–	105	–	2	114	66	109	2	0,095
–	68,4	–	110	–	2	72	66	109	2	0,07
60	74,4	–	96,2	–	1,5	63	69	101	1,5	0,06
	84,2	–	110	–	2,1	78	72	118	2	0,07
65	84,9	–	103	–	1,5	71	74	111	1,5	0,06
	95	–	125	–	2,1	114	77	–	2	0,095
	89,8	–	116	–	2,1	84	77	128	2	0,07
70	88,5	–	108	–	1,5	74	79	116	1,5	0,06
	96,5	–	125	–	2,1	89	82	138	2	0,07
75	92	–	112	–	1,5	77	84	121	1,5	0,06
	103	–	135	–	2,1	97	87	148	2	0,07
80	97,6	–	120	–	2	82	91	129	2	0,06
	109	–	144	–	2,1	101	92	158	2	0,07
85	103	–	136	–	2	88	96	139	2	0,06
	116	–	153	–	3	107	99	166	2,5	0,07
90	111	–	137	–	2	94	101	149	2	0,06
	123	–	160	–	3	112	104	176	2,5	0,07
95	119	–	146	–	2,1	101	107	158	2	0,06
	127	–	176	–	3	127	109	186	2,5	0,07
100	126	–	162	–	2,1	107	112	168	2	0,06
	135	–	180	–	3	127	114	201	2,5	0,07
110	139	–	174	–	2,1	119	122	188	2	0,06
	152	–	201	–	3	142	124	226	2,5	0,07

3.3 Capped double row angular contact ball bearings

d 10 – 75 mm



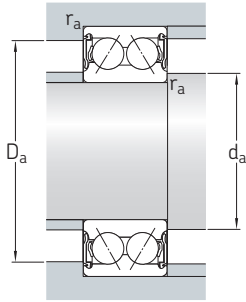
2Z

2RS1

Principal dimensions			Basic load ratings		Fatigue load limit	Limiting speed		Mass	Designations	
d	D	B	C	C ₀		Bearing with shields	seals		Bearing with shields	seals
mm			kN		kN	r/min		kg	–	
10	30	14	7,61	4,3	0,183	24 000	17 000	0,051	3200 A-2Z	3200 A-2RS1
12	32	15,9	10,1	5,6	0,24	22 000	15 000	0,058	3201 A-2Z	3201 A-2RS1
15	35	15,9	11,2	6,8	0,285	18 000	14 000	0,066	3202 A-2Z	3202 A-2RS1
	42	19	15,1	9,3	0,4	16 000	12 000	0,13	3302 A-2Z	3302 A-2RS1
17	40	17,5	14,3	8,8	0,365	16 000	12 000	0,1	3203 A-2Z	3203 A-2RS1
	47	22,2	21,6	12,7	0,54	14 000	11 000	0,18	3303 A-2Z	3303 A-2RS1
20	47	20,6	20,4	12,9	0,55	14 000	10 000	0,16	▶ 3204 A-2Z	▶ 3204 A-2RS1
	52	22,2	23,6	14,6	0,62	13 000	9 000	0,22	3304 A-2Z	▶ 3304 A-2RS1
25	52	20,6	21,6	14,3	0,6	12 000	8 500	0,18	▶ 3205 A-2Z	▶ 3205 A-2RS1
	62	25,4	32	20,4	0,865	11 000	7 500	0,35	▶ 3305 A-2Z	▶ 3305 A-2RS1
30	62	23,8	30	20,4	0,865	10 000	7 500	0,29	▶ 3206 A-2Z	▶ 3206 A-2RS1
	72	30,2	42,5	30	1,27	9 000	6 300	0,52	▶ 3306 A-2Z	▶ 3306 A-2RS1
35	72	27	40	28	1,18	9 000	6 300	0,44	▶ 3207 A-2Z	▶ 3207 A-2RS1
	80	34,9	52	35,5	1,5	8 500	6 000	0,74	3307 A-2Z	▶ 3307 A-2RS1
40	80	30,2	48	36,5	1,56	8 000	5 600	0,57	▶ 3208 A-2Z	▶ 3208 A-2RS1
	90	36,5	64	44	1,86	7 500	5 000	0,93	▶ 3308 A-2Z	▶ 3308 A-2RS1
45	85	30,2	51	39	1,63	7 500	5 300	0,63	▶ 3209 A-2Z	▶ 3209 A-2RS1
	100	39,7	75	53	2,24	6 700	4 800	1,25	3309 A-2Z	▶ 3309 A-2RS1
50	90	30,2	51	42,5	1,8	7 000	4 800	0,65	▶ 3210 A-2Z	▶ 3210 A-2RS1
	110	44,4	90	64	2,75	6 000	4 300	1,7	▶ 3310 A-2Z	▶ 3310 A-2RS1
55	100	33,3	60	47,5	2	6 300	4 500	0,91	3211 A-2Z	▶ 3211 A-2RS1
	120	49,2	112	81,5	3,45	5 300	3 800	2,65	3311 A-2Z	▶ 3311 A-2RS1
60	110	36,5	73,5	58,5	2,5	5 600	4 000	1,2	3212 A-2Z	▶ 3212 A-2RS1
	130	54	127	95	4,05	5 000	–	2,8	3312 A-2Z	–
65	120	38,1	80,6	73,5	3,1	4 800	3 600	1,75	3213 A-2Z	3213 A-2RS1
	140	58,7	146	110	4,55	4 500	–	4,1	3313 A-2Z	–
70	125	39,7	88,4	80	3,4	4 500	–	1,9	3214 A-2Z	–
	150	63,5	163	125	5	4 300	–	5,05	3314 A-2Z	–
75	130	41,3	95,6	88	3,75	4 500	–	2,1	▶ 3215 A-2Z	–
	160	68,3	176	140	5,5	4 000	–	5,6	3315 A-2Z	–

SKF Explorer bearing

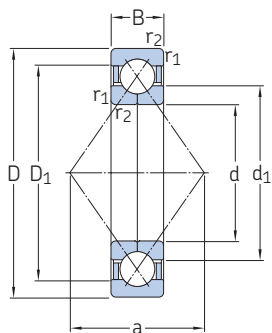
▶ Popular item



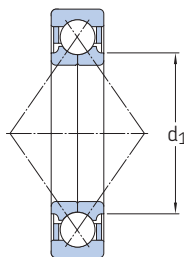
Dimensions					Abutment and fillet dimensions				Calculation factor
d	d ₂ ≈	D ₂ ≈	r _{1,2} min.	a	d _a min.	d _a max.	D _a max.	r _a max.	k _r
mm					mm				–
10	15,8	25	0,6	16	14,4	15,5	25,6	0,6	0,06
12	17,2	27,7	0,6	19	16,4	17	27,6	0,6	0,06
15	20,2 23,7	30,7 35,7	0,6 1	21 24	19,4 20,6	20 23,5	30,6 36,4	0,6 1	0,06 0,07
17	23,3 25,7	35 40,2	0,6 1	23 28	21,4 22,6	23 25,5	35,6 41,4	0,6 1	0,06 0,07
20	27,7 29,9	40,9 44	1 1,1	28 30	25,6 27	27,5 29,5	41,4 45	1 1	0,06 0,07
25	32,7 35,7	45,9 53,4	1 1,1	30 36	30,6 32	32,5 35,5	46,4 55	1 1	0,06 0,07
30	38,7 39,8	55,2 64,1	1 1,1	36 42	35,6 37	38,5 39,5	56 65	1 1	0,06 0,07
35	45,4 44,6	63,9 70,5	1,1 1,5	42 47	42 44	45 44,5	65 71	1 1,5	0,06 0,07
40	47,8 50,8	72,1 80,5	1,1 1,5	46 53	47 49	48 50	73 81	1 1,5	0,06 0,07
45	52,8 55,6	77,1 90	1,1 1,5	46 58	52 54	52 91	78 91	1 1,5	0,06 0,07
50	57,8 62	82,1 99,5	1,1 2	52 65	57 61	57 61	83 99	1 2	0,06 0,07
55	63,2 68,4	92,3 110	1,5 2	57 72	63 66	63 68	91 109	1,5 2	0,06 0,07
60	68,8 73,4	101 118	1,5 2,1	63 78	69 72	68 73	101 118	1,5 2	0,06 0,07
65	77,5 79,2	111 128	1,5 2,1	71 84	74 77	76 78	111 128	1,5 2	0,06 0,07
70	82,5 86,5	116 137	1,5 2,1	74 89	79 82	82 84	116 138	1,5 2	0,06 0,07
75	87,5 95,4	121 147	1,5 2,1	77 97	84 87	84 88	121 148	1,5 2	0,06 0,07

3.4 Four-point contact ball bearings

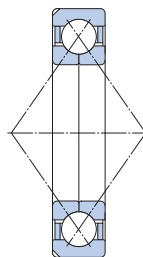
d 15 – 65 mm



Basic design



SKF Explorer bearing



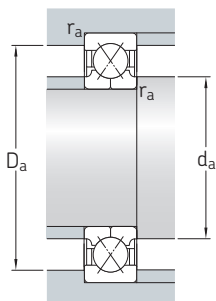
Bearing with locating slots

Principal dimensions			Basic load ratings		Fatigue load limit	Limiting speed	Mass	Designations	
d	D	B	dynamic	static				Bearing with locating slots ¹⁾	without locating slots
mm			C	C ₀	P _u	r/min	kg	–	
15	35	11	12,7	8,3	0,355	36 000	0,062	QJ 202 N2MA	–
17	40	12	17	11,4	0,48	30 000	0,082	QJ 203 N2MA	–
	47	14	23,4	15	0,64	28 000	0,14	QJ 303 N2MA	–
20	52	15	32	21,6	0,93	24 000	0,18	QJ 304 N2MA	▶ QJ 304 MA
	52	15	32	21,6	0,93	24 000	0,18	QJ 304 N2PHAS	–
25	52	15	27	21,2	0,9	22 000	0,16	QJ 205 N2MA	–
	62	17	42,5	30	1,27	20 000	0,29	QJ 305 N2MA	QJ 305 MA
30	62	16	37,5	30,5	1,29	19 000	0,24	QJ 206 N2MA	▶ QJ 206 MA
	72	19	53	41,5	1,76	17 000	0,42	QJ 306 N2MA	▶ QJ 306 MA
	72	19	53	41,5	1,76	17 000	0,42	QJ 306 N2PHAS	–
35	72	17	49	41,5	1,76	17 000	0,35	QJ 207 N2MA	–
	80	21	64	51	2,16	15 000	0,57	QJ 307 N2MA	▶ QJ 307 MA
	80	21	64	51	2,16	15 000	0,57	QJ 307 N2PHAS	–
40	80	18	56	49	2,08	15 000	0,45	–	▶ QJ 208 MA
	90	23	78	64	2,7	14 000	0,78	QJ 308 N2MA	▶ QJ 308 MA
	90	23	78	64	2,7	14 000	0,78	QJ 308 N2PHAS	–
45	85	19	63	56	2,36	14 000	0,52	–	▶ QJ 209 MA
	100	25	100	83	3,55	12 000	1,05	QJ 309 N2MA	▶ QJ 309 MA
	100	25	100	83	3,55	12 000	1,05	QJ 309 N2PHAS	QJ 309 PHAS
50	90	20	65,5	61	2,6	13 000	0,59	–	▶ QJ 210 MA
	110	27	118	100	4,25	11 000	1,35	–	▶ QJ 310 MA
	110	27	118	100	4,25	11 000	1,35	–	QJ 310 PHAS
55	100	21	85	83	3,55	11 000	0,77	QJ 211 N2MA	▶ QJ 211 MA
	120	29	137	118	5	10 000	1,75	QJ 311 N2MA	▶ QJ 311 MA
60	110	22	96,5	93	4	10 000	0,99	QJ 212 N2PHAS	–
	110	22	96,5	93	4	10 000	0,99	QJ 212 N2MA	▶ QJ 212 MA
	130	31	156	137	5,85	9 000	2,15	QJ 312 N2MA	▶ QJ 312 MA
	130	31	156	137	5,85	9 000	2,15	–	▶ QJ 312 PHAS
65	120	23	110	112	4,75	9 500	1,2	QJ 213 N2PHAS	–
	120	23	110	112	4,75	9 500	1,2	QJ 213 N2MA	▶ QJ 213 MA
	140	33	176	156	6,55	8 500	2,7	QJ 313 N2PHAS	–
	140	33	176	156	6,55	8 500	2,7	–	▶ QJ 313 MA

SKF Explorer bearing

▶ Popular item

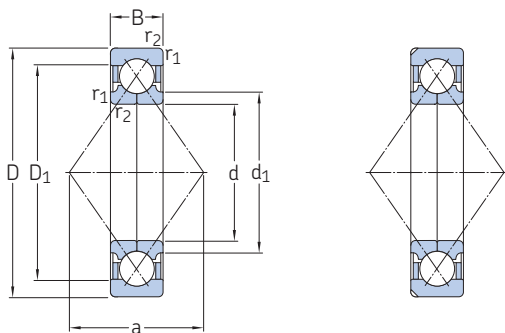
¹⁾ For dimensions of locating slots → [table 1, page 387](#)



Dimensions					Abutment and fillet dimensions			Calculation factor
d	d ₁ ≈	D ₁ ≈	r _{1,2} min.	a	d _a min.	D _a max.	r _a max.	A
mm					mm			–
15	22	28,1	0,6	18	19,2	30,8	0,6	0,000 257
17	23,5	32,5	0,6	20	21,2	35,8	0,6	0,000 427
	27,7	36,3	1	22	22,6	41,4	1	0,00087
20	27,5	40,8	1,1	25	27	45	1	0,00143
	27,5	40,8	1,1	25	27	45	1	0,00143
25	31,5	43	1	27	30,6	46,4	1	0,00126
	34	49	1,1	30	32	55	1	0,00278
30	37,5	50,8	1	32	35,6	56	1	0,00256
	40,5	58,2	1,1	36	37	65	1	0,00508
	40,5	58,2	1,1	36	37	65	1	0,00508
35	44	59	1,1	37	42	65	1	0,00473
	46,2	64,3	1,5	40	44	71	1,5	0,00744
	46,2	64,3	1,5	40	44	71	1,5	0,00744
40	49,5	66	1,1	42	47	73	1	0,0066
	52	72,5	1,5	46	49	81	1,5	0,0118
	52	72,5	1,5	46	49	81	1,5	0,0118
45	54,5	72	1,1	46	52	78	1	0,00871
	58	81,2	1,5	51	54	91	1,5	0,0202
	58	81,2	1,5	51	54	91	1,5	0,0202
50	59,5	76,5	1,1	49	57	83	1	0,0103
	65	90	2	56	61	99	2	0,029
	65	90	2	56	61	99	2	0,029
55	66	84,7	1,5	54	64	91	1,5	0,0173
	70,5	97,8	2	61	66	109	2	0,0404
60	72	93	1,5	60	69	101	1,5	0,0242
	72	93	1,5	60	69	101	1,5	0,0242
	77	106	2,1	67	72	118	2	0,0549
	77	106	2,1	67	72	118	2	0,0549
65	78,5	101	1,5	65	74	111	1,5	0,033
	78,5	101	1,5	65	74	111	1,5	0,033
	82,5	115	2,1	72	77	128	2	0,0731
	82,5	115	2,1	72	77	128	2	0,0731

3.4 Four-point contact ball bearings

d 70 – 150 mm



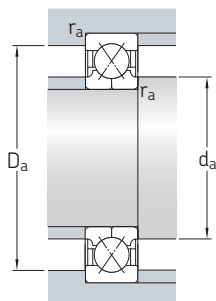
Bearing with locating slots

Principal dimensions			Basic load ratings		Fatigue load limit	Limiting speed	Mass	Designations	
d	D	B	dynamic	static				Bearing with locating slots ¹⁾	without locating slots
mm			C	C ₀	P _u	r/min	kg	–	
70	125	24	120	122	5,2	9 000	1,3	▶ QJ 214 N2MA	QJ 214 MA
	125	24	120	122	5,2	9 000	1,3	▶ QJ 214 N2PHAS	–
	150	35	200	180	7,35	8 000	3,15	▶ QJ 314 N2MA	▶ QJ 314 MA
	150	35	200	180	7,35	8 000	3,15	QJ 314 N2PHAS	–
75	130	25	125	132	5,6	8 500	1,45	QJ 215 N2MA	▶ QJ 215 MA
	130	25	125	132	5,6	8 500	1,45	QJ 215 N2PHAS	–
	160	37	216	200	7,8	7 500	3,9	▶ QJ 315 N2MA	–
	160	37	216	200	7,8	7 500	3,9	QJ 315 N2PHAS	–
80	140	26	146	156	6,4	8 000	1,85	▶ QJ 216 N2MA	▶ QJ 216 MA
	170	39	232	228	8,65	7 000	4,6	▶ QJ 316 N2MA	–
	170	39	232	228	8,65	7 000	4,6	QJ 316 N2PHAS	–
85	150	28	156	173	6,7	7 500	2,25	▶ QJ 217 N2MA	▶ QJ 217 MA
	180	41	250	255	8,65	6 700	5,45	▶ QJ 317 N2MA	–
90	160	30	186	200	7,65	7 000	2,75	▶ QJ 218 N2MA	–
	190	43	285	305	11	6 300	6,45	▶ QJ 318 N2MA	–
	190	43	285	305	11	6 300	6,45	QJ 318 N2PHAS	–
95	170	32	212	232	8,5	6 700	3,35	▶ QJ 219 N2MA	–
	200	45	305	340	11,8	6 000	7,45	▶ QJ 319 N2MA	–
	200	45	305	340	11,8	6 000	7,45	QJ 319 N2PHAS	–
100	180	34	236	265	9,5	6 300	4,05	▶ QJ 220 N2MA	–
	215	47	345	400	13,7	5 600	9,3	▶ QJ 320 N2MA	–
110	200	38	280	325	11,2	5 600	5,6	▶ QJ 222 N2MA	–
	240	50	390	480	15,3	4 800	12,5	▶ QJ 322 N2MA	–
120	215	40	300	365	12	5 000	6,95	▶ QJ 224 N2MA	–
	260	55	415	530	16,3	4 500	16	▶ QJ 324 N2MA	–
130	230	40	310	400	12,7	4 800	7,75	▶ QJ 226 N2MA	–
	280	58	455	610	18	4 000	19,5	▶ QJ 326 N2MA	–
140	250	42	345	475	14,3	4 300	9,85	▶ QJ 228 N2MA	–
	300	62	500	695	20	3 800	24	▶ QJ 328 N2MA	–
150	270	45	400	570	16,6	4 000	12,5	▶ QJ 230 N2MA	–
	320	65	530	765	21,2	3 600	29	QJ 330 N2MA	–

SKF Explorer bearing

▶ Popular item

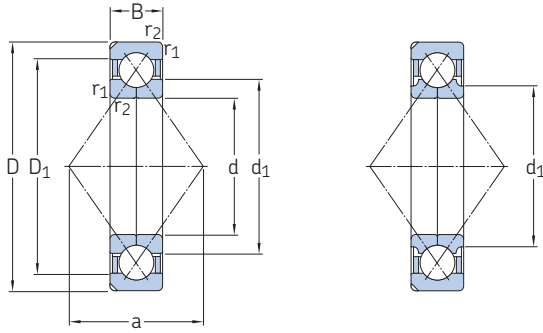
¹⁾ For dimensions of locating slots → table 1, page 387



Dimensions					Abutment and fillet dimensions			Calculation factor
d	d ₁ ≈	D ₁ ≈	r _{1,2} min.	a	d _a min.	D _a max.	r _a max.	A
mm					mm			–
70	83,5	106	1,5	68	79	116	1,5	0,04
	83,5	106	1,5	68	79	116	1,5	0,04
	89	123	2,1	77	82	138	2	0,0954
	89	123	2,1	77	82	138	2	0,0954
75	88,5	112	1,5	72	84	121	1,5	0,0453
	88,5	112	1,5	72	84	121	1,5	0,0453
	104	131	2,1	82	87	148	2	0,122
	104	131	2,1	82	87	148	2	0,122
80	95,3	120	2	77	91	130	2	0,0629
	111	139	2,1	88	92	158	2	0,155
	111	139	2,1	88	92	158	2	0,155
85	100	128	2	83	96	139	2	0,0768
	117	148	3	93	99	166	2,5	0,193
90	114	136	2	88	101	149	2	0,106
	124	156	3	98	104	176	2,5	0,26
	124	156	3	98	104	176	2,5	0,26
95	120	145	2,1	93	107	158	2	0,138
	131	165	3	103	109	186	2,5	0,317
	131	165	3	103	109	186	2,5	0,317
100	127	153	2,1	98	112	168	2	0,176
	139	176	3	110	114	201	2	0,442
110	141	169	2,1	109	122	188	2	0,277
	154	196	3	123	124	226	2,5	0,635
120	152	183	2,1	117	132	203	2	0,354
	169	211	3	133	134	246	2,5	0,785
130	165	195	3	126	144	216	2,5	0,411
	182	227	4	144	147	263	3	1,06
140	179	211	3	137	154	236	2,5	0,556
	196	244	4	154	158	282	3	1,4
150	194	226	3	147	164	256	2,5	0,793
	211	259	4	165	167	303	3	1,65

3.4 Four-point contact ball bearings

d 160 – 200 mm



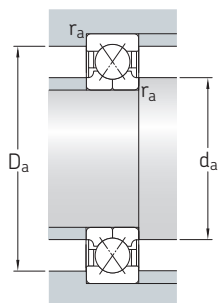
SKF Explorer bearing

Principal dimensions			Basic load ratings		Fatigue load limit	Limiting speed	Mass	Designations	
d	D	B	dynamic	static				Bearing with locating slots ¹⁾	without locating slots
mm			kN		kN	r/min	kg	–	
160	290	48	450	670	19	3 800	15,5	▶ QJ 232 N2MA	–
	340	68	570	880	23,6	3 400	34,5	▶ QJ 332 N2MA	–
170	310	52	455	720	20	3 400	19,5	▶ QJ 234 N2MA	–
	360	72	655	1 040	27	3 200	41,5	▶ QJ 334 N2MA	–
180	320	52	475	765	20,8	3 400	20,5	▶ QJ 236 N2MA	–
	380	75	680	1 100	28	3 000	47,5	QJ 336 N2MA	–
190	340	55	510	850	22,4	3 200	23,5	QJ 238 N2MA	–
	400	78	702	1 160	28,5	2 800	49	QJ 338 N2MA	–
200	360	58	540	915	23,2	3 000	28,5	QJ 240 N2MA	–

SKF Explorer bearing

▶ Popular item

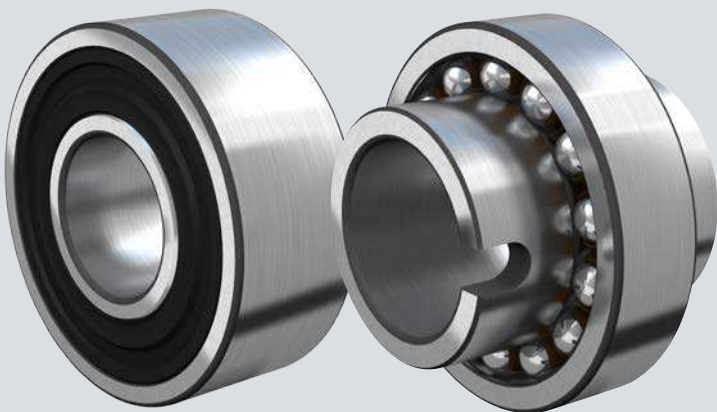
¹⁾ For dimensions of locating slots → [table 1, page 387](#)



Dimensions					Abutment and fillet dimensions			Calculation factor
d	d ₁ ≈	D ₁ ≈	r _{1,2} min.	a	d _a min.	D _a max.	r _a max.	A
mm					mm			–
160	204	243	3	158	174	276	2,5	1,1
	224	276	4	175	177	323	3	2,12
170	204	243	4	168	187	293	3	1,26
	237	293	4	186	187	343	3	2,92
180	231	269	4	175	197	303	3	1,39
	252	309	4	196	197	363	3	3,38
190	244	285	4	185	207	323	3	1,77
	263	326	5	207	210	380	4	4,45
200	258	302	4	196	217	363	3	2,33



Self-aligning ball bearings



4 Self-aligning ball bearings



Designs and variants	439		
Sealed bearings	439		
Greases for capped bearings	440		
Grease life for capped bearings	440		
Large self-aligning ball bearings	440		
Bearings with an extended inner ring	440		
Cages	442		
Bearing data	443		
(Dimension standards, tolerances, internal clearance, permissible misalignment)			
Loads	445		
(Minimum load, axial load carrying capacity, equivalent dynamic bearing load, equivalent static bearing load)			
Temperature limits	445		
Permissible speed	446		
Design considerations	446		
Ball protrusion	446		
Bearings on sleeves	446		
Bearings with an extended inner ring	446		
Appropriate bearing housings	447		
Mounting	447		
Mounting bearings with a cylindrical bore	447		
Mounting bearings with a tapered bore	447		
Designation system	449		
Product tables			
4.1 Self-aligning ball bearings	450		
4.2 Self-aligning ball bearings on an adapter sleeve ..	458		
4.3 Self-aligning ball bearings with an extended inner ring	462		
		Other self-aligning ball bearings	
		Bearings with Solid Oil	1023

4 Self-aligning ball bearings

4

More information

General bearing knowledge	17
Bearing selection process	59
Lubrication	109
Bearing interfaces	139
Seat tolerances for standard conditions	148
Selecting internal clearance	182
Sealing, mounting and dismounting	193

Mounting instructions for individual bearings → skf.com/mount

SKF Drive-up Method
→ skf.com/drive-up

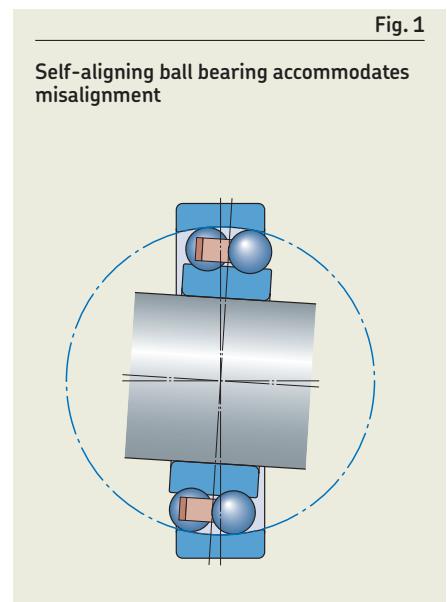
SKF bearing maintenance handbook ISBN 978-91-978966-4-1

Self-aligning ball bearings have two rows of balls, a common sphered raceway in the outer ring and two deep uninterrupted raceway grooves in the inner ring. They are available open or sealed. The bearings are insensitive to angular misalignment of the shaft relative to the housing (fig. 1), which can be caused, for example, by shaft deflection.

Bearing features

- **Accommodate static and dynamic misalignment**
The bearings are self-aligning like spherical roller bearings or CARB bearings.
- **Excellent high-speed performance**
Self-aligning ball bearings generate less friction than any other type of rolling bearing, which enables them to run cooler even at high speeds.
- **Minimum maintenance**
Because of low heat generation, the bearing temperature is lower, leading to extended bearing life and maintenance intervals.

- **Low friction**
Very loose conformity between balls and outer ring keeps friction and frictional heat at low levels.
- **Excellent light load performance**
Self-aligning ball bearings have low minimum load requirements.
- **Low noise**
Self-aligning ball bearings can reduce noise and vibration levels, for example, in fans.



Designs and variants

SKF standard assortment

SKF self-aligning ball bearing variants are:

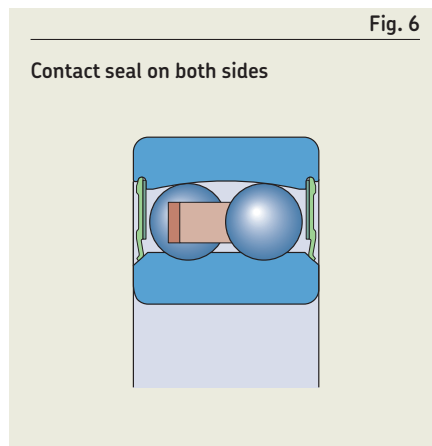
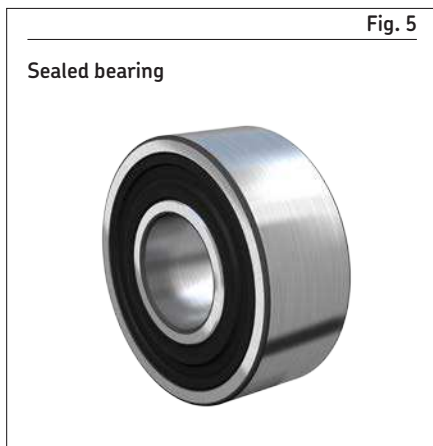
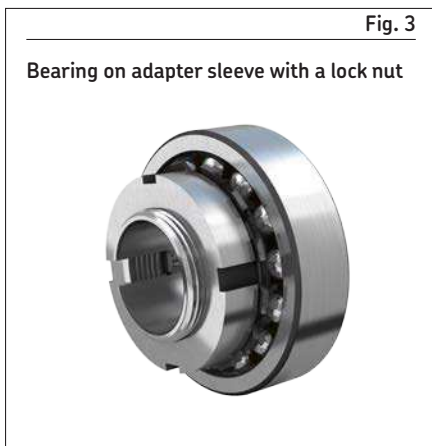
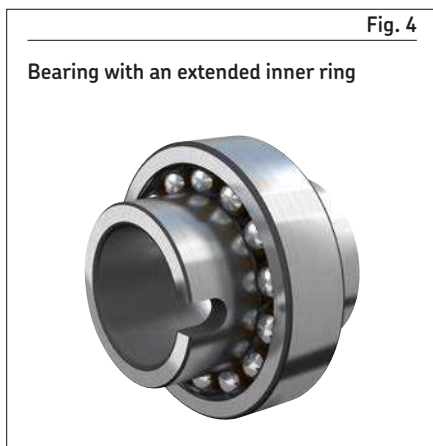
- open (fig. 2)
 - with cylindrical bore
 - with tapered bore, e.g. for use with adapter sleeves (fig. 3)
 - with extended inner ring (fig. 4)
- sealed (fig. 5)
 - with cylindrical bore
 - with tapered bore, e.g. for use with adapter sleeves

Sealed bearings

Sealed bearings equipped with contact seals on both sides (fig. 6) are available:

- in the 22 and 23 series
- with bore diameter $10 \leq d \leq 70$ mm
- with seals made of sheet steel reinforced NBR (oil and wear-resistant, designation suffix -2RS1)

Permissible angular misalignment of sealed bearings is slightly reduced compared to open design bearings.



4 Self-aligning ball bearings

Greases for capped bearings

Bearings sealed on both sides are lubricated for the life of the bearing and are virtually maintenance-free. They are filled with one of the following standard greases, which have good corrosion-inhibiting properties (table 1):

- $D \leq 62 \rightarrow$ MT47 grease
- $D > 62 \rightarrow$ MT33 grease

Grease life for capped bearings

- is presented as L_{10} , i.e. the time period at the end of which 90% of the bearings are still reliably lubricated
- depends on the operating temperature and the nd_m value (diagram 1)

The grease life specified in diagram 1 is valid for the following combination of operating conditions:

- horizontal shaft
- inner ring rotation
- light load ($P \leq 0,05 C$)
- operating temperature within the green temperature zone of the grease (table 1)
- stationary machine
- low vibration levels

Where the operating conditions differ, the grease life obtained from the diagram should be adjusted:

- vertical shafts \rightarrow 50% of the obtained value
- heavier loads ($P > 0,05 C$) \rightarrow apply reduction factor (table 2)

When sealed bearings must operate under certain extreme conditions, such as very high speeds or high temperatures, grease may appear on the capping diameter. For bearing arrangements where this would be detrimental, appropriate actions should be taken. For additional information, contact the SKF application engineering service.

Large self-aligning ball bearings

- are available in the 130 and 139 series
- are equipped with an annular groove in the outer ring and (fig. 7):
 - three equally-spaced lubrication holes in the outer ring
 - six equally-spaced lubrication holes in the inner ring
- can be used in any application where low friction is preferred over high load carrying capacity (e.g. in the paper industry)

Bearings with an extended inner ring

- are (fig. 8) designed for less demanding applications that use commercial grade shafting
- have a special bore tolerance, class JS7 (table 3), that facilitates mounting and dismounting
- are located axially on the shaft by means of a slot at one end of the inner ring that engages a pin or shoulder screw (fig. 9) fitted to the shaft
 - This also prevents the shaft from spinning in the bearing bore.

Diagram 1

Grease life for standard capped self-aligning ball bearings where $P = 0,05 C$

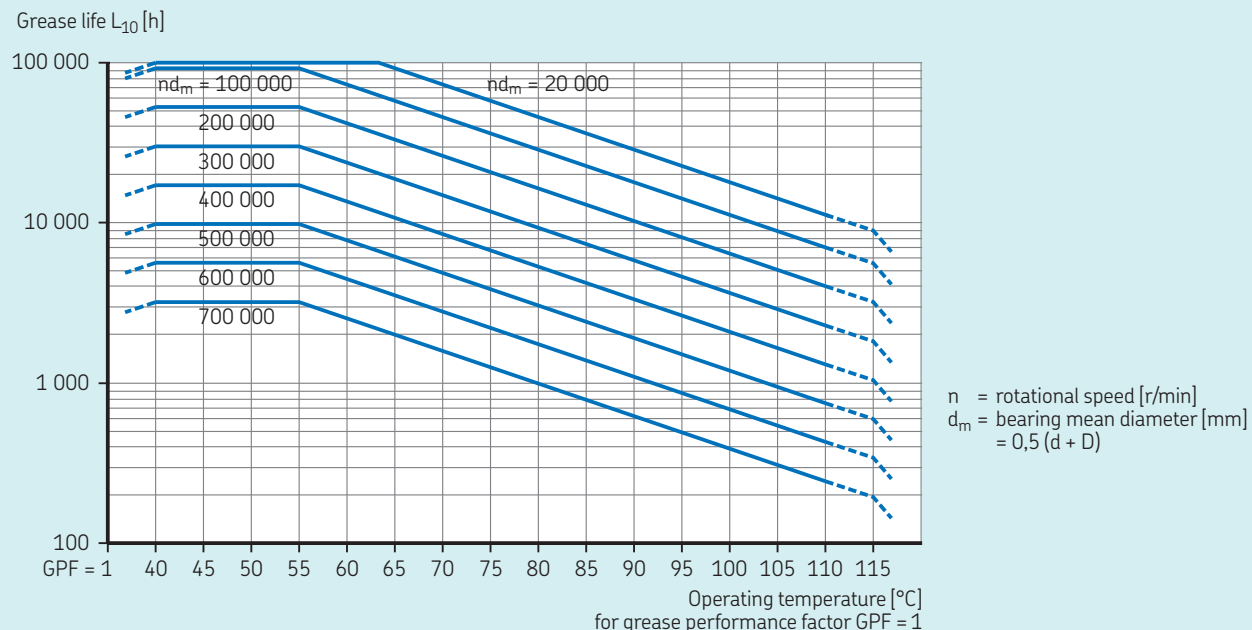


Table 1

Technical specifications of SKF standard greases for sealed self-aligning ball bearings

Bearing outside diameter [mm]	Grease	Temperature range ¹⁾							Thickener	Base oil type	NLGI grade	Base oil viscosity [mm ² /s]	
		-50	0	50	100	150	200	250				at 40 °C (105 °F)	at 100 °C (210 °F)
D ≤ 62	MT47								Lithium soap	Mineral	2	70	7,3
D > 62	MT33								Lithium soap	Mineral	3	100	10

¹⁾ Refer to the SKF traffic light concept (page 117).

Fig. 7

Annular groove and lubrication holes

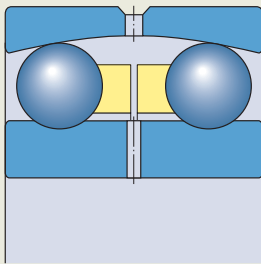


Table 2

Reduction factor for the grease life, depending on the load

Load P	Reduction factor
≤ 0,05 C	1
0,1 C	0,7
0,125 C	0,5
0,25 C	0,2

Table 3

Bore tolerance of self-aligning ball bearings with an extended inner ring

Bore diameter d	Tolerance class JS7	Deviation	
		U	L
mm		µm	
18	30	+10,5	-10,5
30	50	+12,5	-12,5
50	80	+15	-15

Fig. 8

Bearing with an extended inner ring

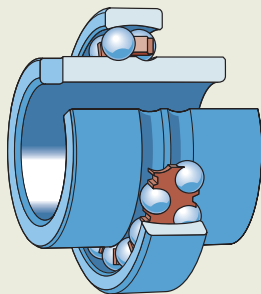


Fig. 9

Axial location of bearings with an extended inner ring

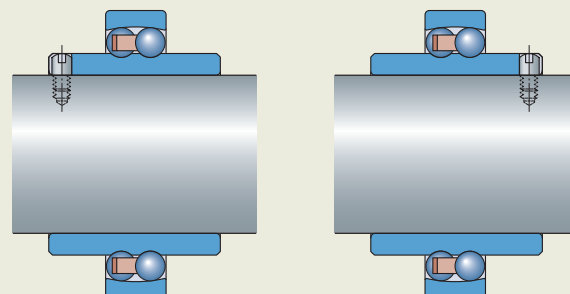
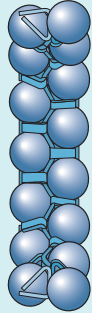
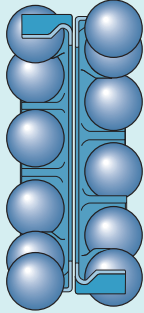
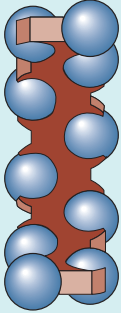
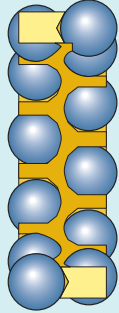
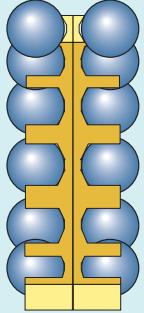


Table 4

Cages for self-aligning ball bearings

					
Cage type	One-piece, ball centred	Two-piece, ball centred	One-piece snap-type, ball centred	One-piece, ball centred	Two-piece, ball centred
Material	Stamped steel	Stamped steel	PA66, glass fibre reinforced	Machined brass	Machined brass
Suffix	–	–	TN9	M (no designation suffix when $d \geq 150$ mm)	M (no designation suffix when $d \geq 150$ mm)

For bearings with non-standard cages, contact SKF.

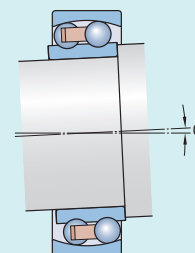
Cages

Depending on their series and size, SKF self-aligning ball bearings are fitted with one of the cages shown in [table 4](#).

When used at high temperatures, some lubricants can have a detrimental effect on polyamide cages. For additional information about the suitability of cages, refer to *Cages*, [page 187](#).

Table 5

Permissible angular misalignment



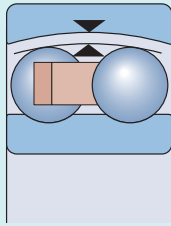
Bearings/series	Misalignment α
–	°
108, 126, 127, 129, 135	3
12 (E)	2,5
13 (E)	3
22 (E)	2,5
22 E-2RS1	1,5
23 (E)	3
23 E-2RS1	1,5
112 (E)	2,5
130, 139	3



Bearing data

Dimension standards	Boundary dimensions: ISO 15 Except for: • Bearings with an extended inner ring
Tolerances For additional information → page 35	Normal Except for: • Bearings with an extended inner ring: bore to tolerance class JS7 (table 3, page 441) in accordance with ISO 286-2 Values: ISO 492 (table 2, page 38)
Internal clearance For additional information → page 182	Normal, C3 Check availability of C2 (cylindrical bore only) Except for: • Bearings in the 130 and 139 series: C3 • Bearings with an extended inner ring: ranging from the minimum value of C2 to the maximum value of Normal Values: ISO 5753-1 (table 6, page 444) Values are valid for unmounted bearings under zero measuring load.
Permissible misalignment	Guideline values for normal operating condition (table 5). Whether these values can be fully exploited depends on the design of the adjacent components, such as external seals.

Radial internal clearance of self-aligning ball bearings



Bearings with a cylindrical bore

Bore diameter d		Radial internal clearance					
>	≤	C2		Normal		C3	
		min.	max.	min.	max.	min.	max.
mm		μm					
2,5	6	1	8	5	15	10	20
6	10	2	9	6	17	12	25
10	14	2	10	6	19	13	26
14	18	3	12	8	21	15	28
18	24	4	14	10	23	17	30
24	30	5	16	11	24	19	35
30	40	6	18	13	29	23	40
40	50	6	19	14	31	25	44
50	65	7	21	16	36	30	50
65	80	8	24	18	40	35	60
80	100	9	27	22	48	42	70
100	120	10	31	25	56	50	83
120	140	10	38	30	68	60	100
140	160	–	–	–	–	70	120
160	180	–	–	–	–	82	138
180	200	–	–	–	–	93	157
200	225	–	–	–	–	100	170
225	250	–	–	–	–	115	195

Bearings with a tapered bore

Bore diameter d		Radial internal clearance					
>	≤	C2		Normal		C3	
		min.	max.	min.	max.	min.	max.
mm		μm					
18	24	–	–	13	26	30	33
24	30	–	–	15	28	23	39
30	40	–	–	19	35	29	46
40	50	–	–	22	39	33	52
50	65	–	–	27	47	41	61
65	80	–	–	35	57	50	75
80	100	–	–	42	68	62	90
100	120	–	–	50	81	75	108

Loads

Minimum load For additional information → page 106	$F_{rm} = k_r \left(\frac{v n}{1\,000} \right)^{2/3} \left(\frac{d_m}{100} \right)^2$	Symbols B bearing width [mm] d bearing bore diameter [mm] d_m bearing mean diameter [mm] = 0,5 (d + D) e calculation factor (product tables, page 450) F_a axial load [kN] F_{ap} maximum permissible axial load [kN] F_r radial load [kN] F_{rm} minimum radial load [kN] k_r minimum load factor (product tables) n rotational speed [r/min] P equivalent dynamic bearing load [kN] P_0 equivalent static bearing load [kN] Y_0, Y_1, Y_2 calculation factors (product tables) v oil viscosity at operating temperature [mm ² /s]
Axial load carrying capacity	Bearings mounted on an adapter sleeve on plain shafts without a fixed abutment: $F_{ap} = 0,003 B d$ provided the bearings are correctly mounted.	
Equivalent dynamic bearing load For additional information → page 91	$F_a/F_r \leq e \rightarrow P = F_r + Y_1 F_a$ $F_a/F_r > e \rightarrow P = 0,65 F_r + Y_2 F_a$	
Equivalent static bearing load For additional information → page 105	$P_0 = F_r + Y_0 F_a$	

Temperature limits

The permissible operating temperature for self-aligning ball bearings can be limited by:

- the dimensional stability of the bearing rings and balls
- the cage
- the seals
- the lubricant

Where temperatures outside the permissible range are expected, contact SKF.

Bearing rings and balls

SKF self-aligning ball bearings are heat stabilized up to 120 °C (250 °F).

Cages

Steel or brass cages can be used at the same operating temperatures as the bearing rings and balls. For temperature limits of polymer cages, refer to *Polymer cages*, [page 188](#).

Seals

The permissible operating temperature for NBR seals is -40 to +100 °C (-40 to +210 °F). Temperatures up to 120 °C (250 °F) can be tolerated for brief periods.

Typically, temperature peaks are at the seal lip.

Lubricants

Temperature limits for the greases used in sealed SKF self-aligning ball bearings are provided in [table 1, page 441](#). For temperature limits of other SKF greases, refer to *Selecting a suitable SKF grease*, [page 116](#).

When using lubricants not supplied by SKF, temperature limits should be evaluated according to the SKF traffic light concept ([page 117](#)).

Permissible speed Bearings on sleeves

The speed ratings in the **product tables** indicate:

- the **reference speed**, which enables a quick assessment of the speed capabilities from a thermal frame of reference
- the **limiting speed**, which is a mechanical limit that should not be exceeded unless the bearing design and the application are adapted for higher speeds

For additional information, refer to *Operating temperature and speed*, [page 130](#).

Design considerations

Ball protrusion

The balls of some bearings in the 12 and 13 series protrude from the side faces of the bearing ([fig. 10](#)). The values of the protrusion are listed in the [product table](#), [page 457](#), and should be considered when designing components in close proximity to the bearing.

Self-aligning ball bearings with a tapered bore can be mounted with:

- an adapter sleeve on plain or stepped shafts ([fig. 11](#))
- a withdrawal sleeve on stepped shafts ([fig. 12](#))

Adapter sleeves are supplied complete with a locking device.

For appropriate SKF adapter sleeves, refer to the [product table](#), [page 458](#).

When using sealed bearings, make sure appropriate SKF adapter sleeve assemblies (e.g. E design sleeve, refer to the [product table](#)) are used to prevent the locking device from interfering with the seal ([fig. 13](#)). Alternatively, use a spacer ring between the bearing and the lock washer.

For additional information

- *Adapter sleeves*, [page 1065](#)
- *Withdrawal sleeves*, [page 1087](#)

Bearings with an extended inner ring

When two of these bearings are used to support a shaft, to locate the shaft axially the inner ring slots must be arranged facing towards or away from each other ([fig. 9](#), [page 441](#)).

Fig. 10

Protrusion of balls from side faces

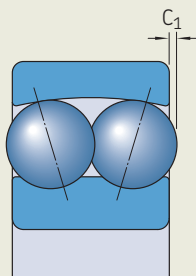
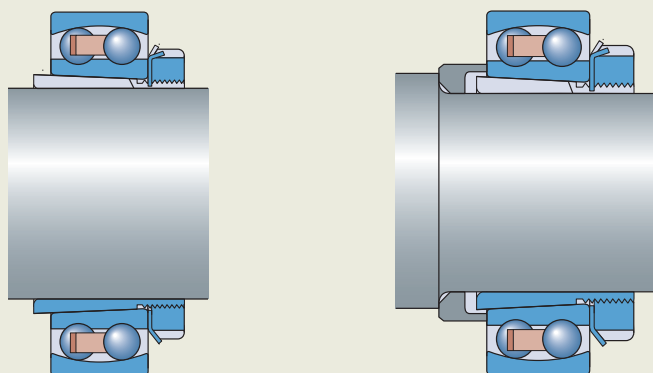


Fig. 11

Bearings with a tapered bore mounted with an adapter sleeve



On a plain shaft

On a stepped shaft

Appropriate bearing housings

Appropriate SKF bearing housings are available in a variety of designs and sizes for a wide range of applications. The designs include:

- SNL, SE plummer (pillow) block housings in the 2, 3, 5 and 6 series
- FNL flanged housings
- SAF plummer (pillow) block housings for inch shafts

Additional information about SKF bearing housings is available online at skf.com/housings.

Mounting

Mounting bearings with a cylindrical bore

Refer to *Mounting bearings with a cylindrical bore*, [page 201](#).

Mounting bearings with a tapered bore

Bearings with a tapered bore are mounted with an interference fit, by using one of the following methods:

1 Feeling the clearance reduction by turning and swivelling the outer ring (fig. 14)

- This method is valid for bearings with Normal radial clearance (not for sealed bearings).
- The clearance reduction in the bearing is sufficient when the outer ring can be turned easily, but a slight resistance is felt when it is swivelled out.

2 Measuring the lock nut tightening angle (table 7, page 448)

3 Measuring the axial drive-up (table 7)

4 Applying the SKF Drive-up Method

For bearings with $d \geq 50$ mm, SKF recommends using the SKF Drive-up Method. This is a fast, reliable and safe method to determine the appropriate interference fit. Additional information is available online at skf.com/drive-up.

For additional information about these mounting methods, refer to *Mounting bearings with a tapered bore*, [page 203](#), or the *SKF bearing maintenance handbook*.



Fig. 12

Bearing with a tapered bore mounted with a withdrawal sleeve on a stepped shaft

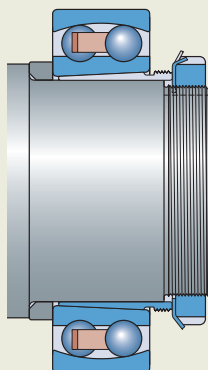


Fig. 13

Sealed bearing with a tapered bore mounted with an E design adapter sleeve

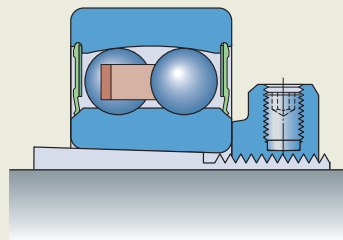


Fig. 14

Check clearance reduction

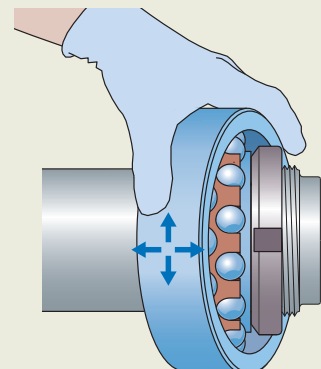
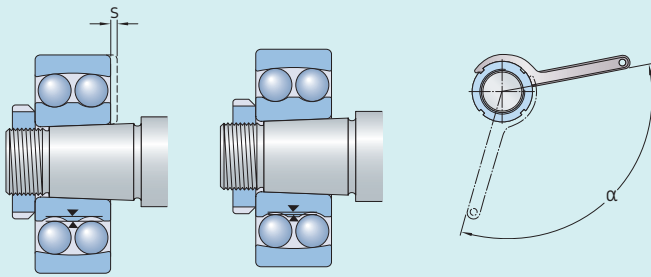


Table 7

Drive-up data for self-aligning ball bearings with a tapered bore



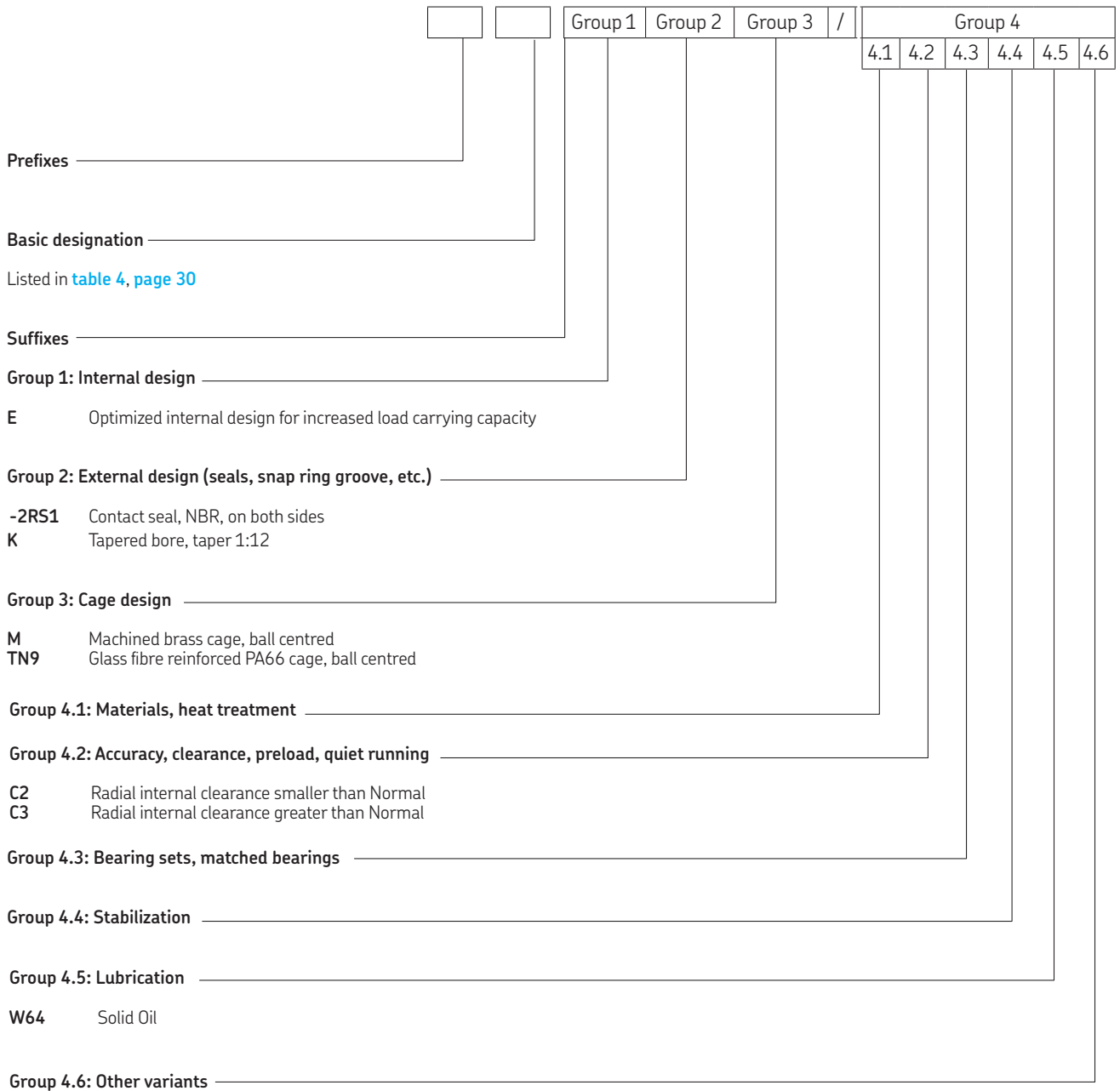
Bore diameter d	Axial drive-up s ¹⁾²⁾	Lock nut tightening angle α ¹⁾
mm	mm	°
20	0,22	80
25	0,22	55
30	0,22	55
35	0,30	70
40	0,30	70
45	0,35	80
50	0,35	80
55	0,40	75
60	0,40	75
65	0,40	80
70	0,40	80
75	0,45	85
80	0,45	85
85	0,60	110
90	0,60	110
95	0,60	110
100	0,60	110
110	0,70	125
120	0,70	125

¹⁾ Not valid for the SKF Drive-up Method.

²⁾ The listed values are valid only for solid steel shafts and general applications. They are to be used as guideline values only, as it is difficult to establish an exact starting position. Also, the axial drive-up, s, differs slightly between the different bearings series.

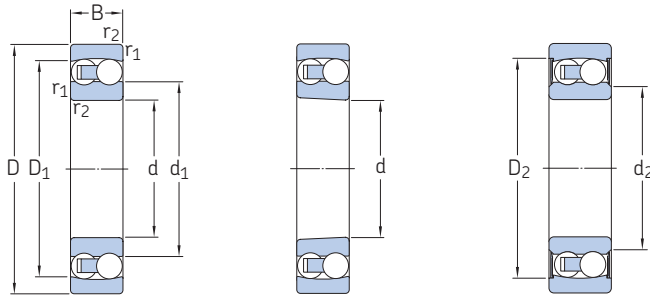


Designation system



4.1 Self-aligning ball bearings

d 5 – 20 mm



Cylindrical bore

Tapered bore

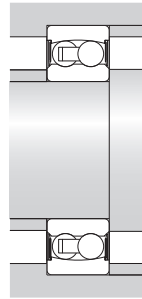
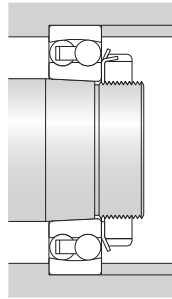
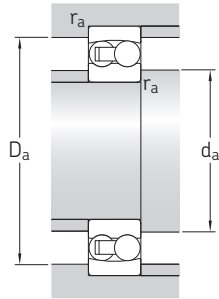
Sealed

4.1



Principal dimensions			Basic load ratings		Fatigue load limit	Speed ratings		Mass	Designations	
d	D	B	C	C ₀	P _u	Reference speed	Limiting speed		Bearing with cylindrical bore	tapered bore
mm			kN		kN	r/min		kg	–	
5	19	6	2,51	0,48	0,025	63 000	45 000	0,009	▶ 135 TN9	–
6	19	6	2,51	0,48	0,025	70 000	45 000	0,009	▶ 126 TN9	–
7	22	7	2,65	0,56	0,029	63 000	40 000	0,014	▶ 127 TN9	–
8	22	7	2,65	0,56	0,029	60 000	40 000	0,014	▶ 108 TN9	–
9	26	8	3,9	0,82	0,043	60 000	38 000	0,022	▶ 129 TN9	–
10	30	9	5,53	1,18	0,061	56 000	36 000	0,034	▶ 1200 ETN9	–
	30	14	5,53	1,18	0,06	–	17 000	0,048	▶ 2200 E-2RS1TN9	–
	30	14	8,06	1,73	0,09	50 000	34 000	0,047	▶ 2200 ETN9	–
12	32	10	6,24	1,43	0,072	50 000	32 000	0,04	▶ 1201 ETN9	–
	32	14	6,24	1,43	0,08	–	16 000	0,053	▶ 2201 E-2RS1TN9	–
	32	14	8,52	1,9	0,098	45 000	30 000	0,053	▶ 2201 ETN9	–
15	37	12	9,36	2,16	0,12	40 000	28 000	0,067	▶ 1301 ETN9	–
	37	17	11,7	2,7	0,14	38 000	28 000	0,095	2301	–
	35	11	7,41	1,76	0,09	45 000	28 000	0,049	▶ 1202 ETN9	–
17	35	14	7,41	1,76	0,09	–	14 000	0,058	▶ 2202 E-2RS1TN9	–
	35	14	8,71	2,04	0,11	38 000	26 000	0,06	▶ 2202 ETN9	–
	42	13	10,8	2,6	0,14	34 000	24 000	0,094	▶ 1302 ETN9	–
20	42	17	10,8	2,6	0,14	–	12 000	0,11	▶ 2302 E-2RS1TN9	–
	42	17	11,9	2,9	0,15	32 000	24 000	0,12	▶ 2302	–
	40	12	8,84	2,2	0,12	38 000	24 000	0,073	▶ 1203 ETN9	–
17	40	16	8,84	2,2	0,12	–	12 000	0,089	▶ 2203 E-2RS1TN9	–
	40	16	10,6	2,55	0,14	34 000	24 000	0,088	▶ 2203 ETN9	–
	47	14	12,7	3,4	0,18	28 000	20 000	0,12	▶ 1303 ETN9	–
20	47	19	12,7	3,4	0,18	–	11 000	0,16	▶ 2303 E-2RS1TN9	–
	47	19	14,3	3,55	0,19	30 000	22 000	0,18	2303 M	–
	47	14	12,7	3,4	0,18	32 000	20 000	0,12	▶ 1204 ETN9	1204 EKTN9
20	47	18	12,7	3,4	0,18	–	10 000	0,14	▶ 2204 E-2RS1TN9	–
	47	18	16,8	4,15	0,22	28 000	20 000	0,14	▶ 2204 ETN9	–
	52	15	14,3	4	0,21	26 000	18 000	0,16	▶ 1304 ETN9	–
20	52	21	14,3	4	0,21	–	9 000	0,21	▶ 2304 E-2RS1TN9	–
	52	21	18,2	4,75	0,24	26 000	19 000	0,22	2304 TN9	–

▶ Popular item

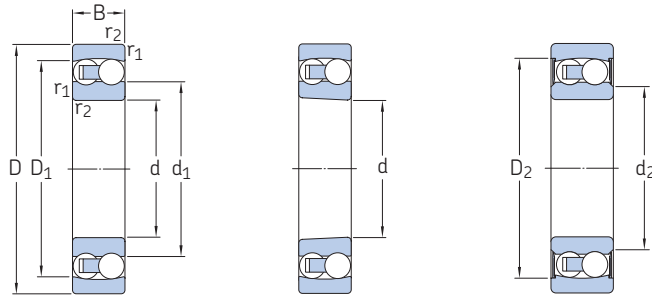


Dimensions						Abutment and fillet dimensions					Calculation factors				
d	d ₁ , d ₂	D ₁ , D ₂	C ₁	b	K	r _{1,2} min.	d _a min.	d _a max.	D _a max.	r _a max.	k _r	e	Y ₁	Y ₂	Y ₀
mm							mm				-				
5	10,3	15,4	-	-	-	0,3	7,4	-	16,6	0,3	0,045	0,33	1,9	3	2
6	10,3	15,4	-	-	-	0,3	8,4	-	16,6	0,3	0,04	0,33	1,9	3	2
7	12,7	17,6	-	-	-	0,3	9,4	-	19,6	0,3	0,04	0,33	1,9	3	2
8	12,7	17,6	-	-	-	0,3	10,4	-	19,6	0,3	0,03	0,33	1,9	3	2
9	14,8	20,4	-	-	-	0,3	11,4	-	23,6	0,3	0,04	0,33	1,9	3	2
10	16,5	23,5	-	-	-	0,6	14,2	-	25,8	0,6	0,04	0,33	1,9	3	2
	14,6	24,8	-	-	-	0,6	14	14	25,8	0,6	0,045	0,33	1,9	3	2
	15,3	24,3	-	-	-	0,6	14,2	-	25,8	0,6	0,045	0,54	1,15	1,8	1,3
12	18,2	25,7	-	-	-	0,6	16,2	-	27,8	0,6	0,04	0,33	1,9	3	2
	15,5	27,4	-	-	-	0,6	15,5	15,5	27,8	0,6	0,045	0,33	1,9	3	2
	17,4	26,4	-	-	-	0,6	16,2	-	27,8	0,6	0,045	0,5	1,25	2	1,3
15	20,2	29,5	-	-	-	1	17,6	-	31,4	1	0,04	0,35	1,8	2,8	1,8
	18,9	29,1	-	-	-	1	17,6	-	31,4	1	0,05	0,6	1,05	1,6	1,1
	21,1	28,9	-	-	-	0,6	19,2	-	30,8	0,6	0,04	0,33	1,9	3	2
17	19	30,4	-	-	-	0,6	19	19	30,8	0,6	0,045	0,33	1,9	3	2
	20,8	29,5	-	-	-	0,6	19,2	-	30,8	0,6	0,045	0,43	1,5	2,3	1,6
	23,9	34,3	-	-	-	1	20,6	-	36,4	1	0,04	0,31	2	3,1	2,2
20	20,3	36,3	-	-	-	1	20	20	36,4	1	0,05	0,31	2	3,1	2,2
	23,1	33,3	-	-	-	1	20,6	-	36,4	1	0,05	0,52	1,2	1,9	1,3
	24	32,9	-	-	-	0,6	21,2	-	35,8	0,6	0,04	0,31	2	3,1	2,2
23	21,1	35	-	-	-	0,6	21	21	35,8	0,6	0,045	0,31	2	3,1	2,2
	23,8	33,4	-	-	-	0,6	21,2	-	35,8	0,6	0,045	0,43	1,5	2,3	1,6
	28,8	40	-	-	-	1	22,6	-	41,4	1	0,04	0,3	2,1	3,3	2,2
26	25,5	41,3	-	-	-	1	22	25,5	41,4	1	0,05	0,3	2,1	3,3	2,2
	26,1	37,2	-	-	-	1	22,6	-	41,4	1	0,05	0,52	1,2	1,9	1,3
	28,8	40	-	-	-	1	25,6	-	41,4	1	0,04	0,3	2,1	3,3	2,2
30	25,9	41,3	-	-	-	1	25	25,5	41,4	1	0,045	0,3	2,1	3,3	2,2
	27,3	40	-	-	-	1	25,6	-	41,4	1	0,045	0,4	1,6	2,4	1,6
	33,3	44,6	-	-	-	1	27	-	45	1	0,04	0,28	2,2	3,5	2,5
35	28,6	46,3	-	-	-	1,1	26,5	28,5	45	1,1	0,05	0,28	2,2	3,5	2,5
	29,1	41,9	-	-	-	1,1	27	-	45	1,1	0,05	0,52	1,2	1,9	1,3



4.1 Self-aligning ball bearings

d 25 – 45 mm



Cylindrical bore

Tapered bore

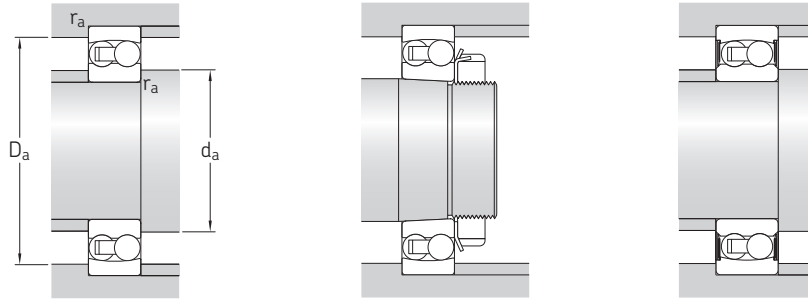
Sealed

4.1



Principal dimensions			Basic load ratings		Fatigue load limit	Speed ratings		Mass	Designations	
d	D	B	C	C ₀	P _u	Reference speed	Limiting speed		Bearing with cylindrical bore	tapered bore
mm			kN		kN	r/min		kg	–	
25	52	15	14,3	4	0,21	28 000	18 000	0,14	▶ 1205 ETN9	▶ 1205 EKTN9
	52	18	14,3	4	0,21	–	9 000	0,16	▶ 2205 E-2RS1TN9	▶ 2205 E-2RS1KTN9
	52	18	16,8	4,4	0,23	26 000	18 000	0,16	▶ 2205 ETN9	▶ 2205 EKTN9
	62	17	19	5,4	0,28	22 000	15 000	0,26	▶ 1305 ETN9	▶ 1305 EKTN9
	62	24	19	5,4	0,28	–	7 500	0,34	▶ 2305 E-2RS1TN9	▶ 2305 E-2RS1KTN9
	62	24	27	7,1	0,37	22 000	16 000	0,34	▶ 2305 ETN9	▶ 2305 EKTN9
30	62	16	15,6	4,65	0,24	24 000	15 000	0,22	▶ 1206 ETN9	▶ 1206 EKTN9
	62	20	15,6	4,65	0,24	–	7 500	0,26	▶ 2206 E-2RS1TN9	▶ 2206 E-2RS1KTN9
	62	20	23,8	6,7	0,35	22 000	15 000	0,26	▶ 2206 ETN9	▶ 2206 EKTN9
	72	19	22,5	6,8	0,36	19 000	13 000	0,39	▶ 1306 ETN9	▶ 1306 EKTN9
	72	27	22,5	6,8	0,36	–	6 700	0,51	▶ 2306 E-2RS1TN9	▶ 2306 E-2RS1KTN9
	72	27	31,2	8,8	0,45	18 000	13 000	0,5	▶ 2306	▶ 2306 K
35	72	17	19	6	0,31	20 000	13 000	0,32	▶ 1207 ETN9	▶ 1207 EKTN9
	72	23	19	6	0,31	–	6 300	0,41	▶ 2207 E-2RS1TN9	▶ 2207 E-2RS1KTN9
	72	23	30,2	8,8	0,455	18 000	12 000	0,4	▶ 2207 ETN9	▶ 2207 EKTN9
	80	21	26,5	8,5	0,43	16 000	11 000	0,51	▶ 1307 ETN9	▶ 1307 EKTN9
	80	31	26,5	8,5	0,43	–	5 600	0,7	▶ 2307 E-2RS1TN9	▶ 2307 E-2RS1KTN9
	80	31	39,7	11,2	0,59	16 000	12 000	0,68	▶ 2307 ETN9	▶ 2307 EKTN9
40	80	18	19,9	6,95	0,36	18 000	11 000	0,42	▶ 1208 ETN9	▶ 1208 EKTN9
	80	23	19,9	6,95	0,36	–	5 600	0,5	▶ 2208 E-2RS1TN9	▶ 2208 E-2RS1KTN9
	80	23	31,9	10	0,51	16 000	11 000	0,51	▶ 2208 ETN9	▶ 2208 EKTN9
	90	23	33,8	11,2	0,57	14 000	9 500	0,68	▶ 1308 ETN9	▶ 1308 EKTN9
	90	33	33,8	11,2	0,57	–	5 000	0,96	▶ 2308 E-2RS1TN9	▶ 2308 E-2RS1KTN9
	90	33	54	16	0,82	14 000	10 000	0,93	▶ 2308 ETN9	▶ 2308 EKTN9
45	85	19	22,9	7,8	0,4	17 000	11 000	0,47	▶ 1209 ETN9	▶ 1209 EKTN9
	85	23	22,9	7,8	0,4	–	5 300	0,53	▶ 2209 E-2RS1TN9	▶ 2209 E-2RS1KTN9
	85	23	32,5	10,6	0,54	15 000	10 000	0,55	▶ 2209 ETN9	▶ 2209 EKTN9
	100	25	39	13,4	0,7	12 000	8 500	0,96	▶ 1309 ETN9	▶ 1309 EKTN9
	100	36	39	13,4	0,7	–	4 500	1,3	▶ 2309 E-2RS1TN9	▶ 2309 E-2RS1KTN9
	100	36	63,7	19,3	1	13 000	9 000	1,25	▶ 2309 ETN9	▶ 2309 EKTN9

▶ Popular item

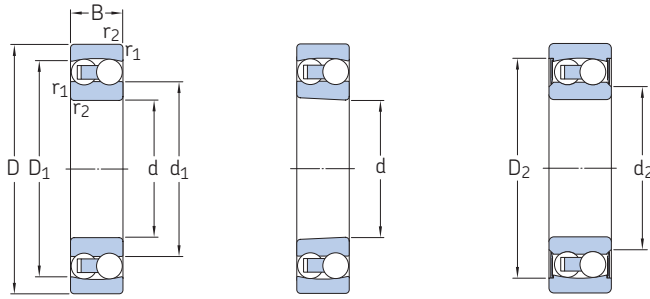


Dimensions						Abutment and fillet dimensions					Calculation factors				
d	d ₁ , d ₂	D ₁ , D ₂	C ₁	b	K	r _{1,2} min.	d _a min.	d _a max.	D _a max.	r _a max.	k _r	e	Y ₁	Y ₂	Y ₀
mm							mm				-				
25	33,3	44,6	-	-	-	1	30,6	-	46,4	1	0,04	0,28	2,2	3,5	2,5
	31	46,3	-	-	-	1	30,6	31	46,4	1	0,045	0,28	2,2	3,5	2,5
	32,2	45,1	-	-	-	1	30,6	-	46,4	1	0,045	0,35	1,8	2,8	1,8
	38	50,7	-	-	-	1,1	32	-	55	1,1	0,04	0,28	2,2	3,5	2,5
	32,8	52,7	-	-	-	1,1	32	32,5	55	1,1	0,05	0,28	2,2	3,5	2,5
	35,5	52,3	-	-	-	1,1	32	-	55	1,1	0,05	0,44	1,4	2,2	1,4
30	40,3	51,9	-	-	-	1	35,6	-	56,4	1	0,04	0,25	2,5	3,9	2,5
	36,7	54,1	-	-	-	1	35,6	36,5	56,4	1	0,045	0,25	2,5	3,9	2,5
	38,7	54	-	-	-	1	35,6	-	56,4	1	0,045	0,33	1,9	3	2
	45,1	59,1	-	-	-	1,1	37	-	65	1,1	0,04	0,25	2,5	3,9	2,5
	40,4	61,9	-	-	-	1,1	37	40	65	1,1	0,05	0,25	2,5	3,9	2,5
	41,9	59,8	-	-	-	1,1	37	-	65	1,1	0,05	0,44	1,4	2,2	1,4
35	47	60,9	-	-	-	1,1	42	-	65	1,1	0,04	0,23	2,7	4,2	2,8
	42,7	62,7	-	-	-	1,1	42	42,5	65	1,1	0,045	0,23	2,7	4,2	2,8
	45,3	62,9	-	-	-	1,1	42	-	65	1,1	0,045	0,31	2	3,1	2,2
	51,5	67,5	-	-	-	1,5	44	-	71	1,5	0,04	0,25	2,5	3,9	2,5
	43,7	69,2	-	-	-	1,5	43,5	43,5	71	1,5	0,05	0,25	2,5	3,9	2,5
	46,7	67	-	-	-	1,5	44	-	71	1,5	0,05	0,46	1,35	2,1	1,4
40	53,8	67,5	-	-	-	1,1	47	-	73	1,1	0,04	0,22	2,9	4,5	2,8
	49	69,8	-	-	-	1,1	47	49	73	1,1	0,045	0,22	2,9	4,5	2,8
	52,3	70,2	-	-	-	1,1	47	-	73	1,1	0,045	0,28	2,2	3,5	2,5
	61,4	80,2	-	-	-	1,1	49	-	81	1,1	0,04	0,23	2,7	4,2	2,8
	55,4	81,8	-	-	-	1,5	49	55	81	1,5	0,05	0,23	2,7	4,2	2,8
	53,7	77,8	-	-	-	1,5	49	-	81	1,5	0,05	0,4	1,6	2,4	1,6
45	57,5	72,5	-	-	-	1,1	52	-	78	1,1	0,04	0,21	3	4,6	3,2
	52,9	75,3	-	-	-	1,1	52	53	78	1,1	0,045	0,21	3	4,6	3,2
	55,3	73,2	-	-	-	1,1	52	-	78	1,1	0,045	0,26	2,4	3,7	2,5
	67,7	87,8	-	-	-	1,5	54	-	91	1,5	0,04	0,23	2,7	4,2	2,8
	60,9	90	-	-	-	1,5	54	60,5	91	1,5	0,05	0,23	2,7	4,2	2,8
	60,1	86	-	-	-	1,5	54	-	91	1,5	0,05	0,33	1,9	3	2



4.1 Self-aligning ball bearings

d 50 – 80 mm



Cylindrical bore

Tapered bore

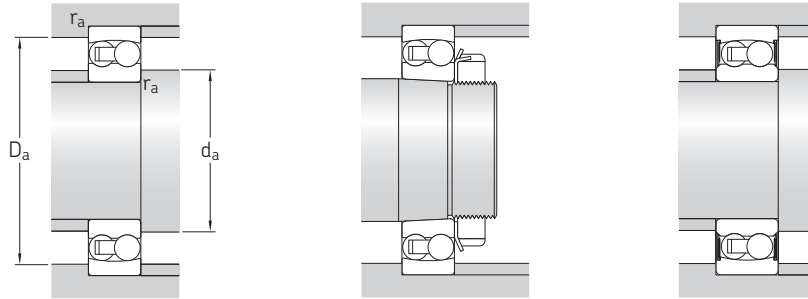
Sealed

4.1



Principal dimensions			Basic load ratings		Fatigue load limit	Speed ratings		Mass	Designations	
d	D	B	C	C ₀	P _u	Reference speed	Limiting speed		Bearing with cylindrical bore	tapered bore
mm			kN		kN	r/min		kg	–	
50	90	20	26,5	9,15	0,48	16 000	10 000	0,53	▶ 1210 ETN9	▶ 1210 EKTN9
	90	23	22,9	8,15	0,42	–	4 800	0,57	▶ 2210 E-2RS1TN9	▶ 2210 E-2RS1KTN9
	90	23	33,8	11,2	0,57	14 000	9 500	0,6	▶ 2210 ETN9	▶ 2210 EKTN9
	110	27	43,6	14	0,72	12 000	8 000	1,2	▶ 1310 ETN9	▶ 1310 EKTN9
	110	40	43,6	14	0,72	–	4 000	1,65	▶ 2310 E-2RS1TN9	▶ 2310 E-2RS1KTN9
	110	40	63,7	20	1,04	14 000	9 500	1,65	▶ 2310	▶ 2310 K
55	100	21	27,6	10,6	0,54	14 000	9 000	0,71	▶ 1211 ETN9	▶ 1211 EKTN9
	100	25	27,6	10,6	0,54	–	4 300	0,79	▶ 2211 E-2RS1TN9	▶ 2211 E-2RS1KTN9
	100	25	39	13,4	0,7	12 000	8 500	0,81	▶ 2211 ETN9	▶ 2211 EKTN9
	120	29	50,7	18	0,92	11 000	7 500	1,6	▶ 1311 ETN9	▶ 1311 EKTN9
	120	43	76,1	24	1,25	11 000	7 500	2,1	▶ 2311	▶ 2311 K
60	110	22	31,2	12,2	0,62	12 000	8 500	0,9	▶ 1212 ETN9	▶ 1212 EKTN9
	110	28	31,2	12,2	0,62	–	3 800	1,05	▶ 2212 E-2RS1TN9	▶ 2212 E-2RS1KTN9
	110	28	48,8	17	0,88	11 000	8 000	1,1	▶ 2212 ETN9	▶ 2212 EKTN9
	130	31	58,5	22	1,12	9 000	6 300	1,95	▶ 1312 ETN9	▶ 1312 EKTN9
	130	46	87,1	28,5	1,46	9 500	7 000	2,6	▶ 2312	▶ 2312 K
65	120	23	35,1	14	0,72	11 000	7 000	1,15	▶ 1213 ETN9	▶ 1213 EKTN9
	120	31	35,1	14	0,72	–	3 600	1,4	▶ 2213 E-2RS1TN9	▶ 2213 E-2RS1KTN9
	120	31	57,2	20	1,02	10 000	7 000	1,45	▶ 2213 ETN9	▶ 2213 EKTN9
	140	33	65	25,5	1,25	8 500	6 000	2,45	▶ 1313 ETN9	▶ 1313 EKTN9
	140	48	95,6	32,5	1,66	9 000	6 300	3,25	▶ 2313	▶ 2313 K
70	125	24	35,8	14,6	0,75	11 000	7 000	1,25	▶ 1214 ETN9	–
	125	31	35,8	14,6	0,75	–	3 400	1,45	▶ 2214 E-2RS1TN9	–
	125	31	44,2	17	0,88	10 000	6 700	1,5	▶ 2214	–
	150	35	74,1	27,5	1,34	8 500	6 000	3	▶ 1314	–
	150	51	111	37,5	1,86	8 000	6 000	3,9	▶ 2314	–
75	130	25	39	15,6	0,8	10 000	6 700	1,35	▶ 1215	▶ 1215 K
	130	31	58,5	22	1,12	9 000	6 300	1,6	▶ 2215 ETN9	▶ 2215 EKTN9
	160	37	79,3	30	1,43	8 000	5 600	3,55	▶ 1315	▶ 1315 K
	160	55	124	43	2,04	7 500	5 600	4,7	▶ 2315	▶ 2315 K
80	140	26	39,7	17	0,83	9 500	6 000	1,65	▶ 1216	▶ 1216 K
	140	33	65	25,5	1,25	8 500	6 000	2	▶ 2216 ETN9	▶ 2216 EKTN9
	170	39	88,4	33,5	1,5	7 500	5 300	4,2	▶ 1316	▶ 1316 K
	170	58	135	49	2,24	7 000	5 300	6,1	▶ 2316	▶ 2316 K

▶ Popular item

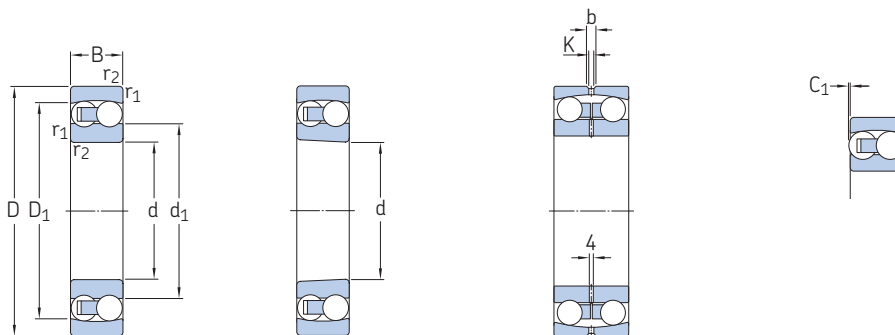


Dimensions						Abutment and fillet dimensions					Calculation factors				
d	d ₁ , d ₂	D ₁ , D ₂	C ₁	b	K	r _{1,2} min.	d _a min.	d _a max.	D _a max.	r _a max.	k _r	e	Y ₁	Y ₂	Y ₀
mm							mm				-				
50	61,7	78,1	-	-	-	1,1	57	-	83	1,1	0,04	0,21	3	4,6	3,2
	57,7	79,4	-	-	-	1,1	57	58	83	1,1	0,045	0,2	3,2	4,9	3,2
	61,4	80,2	-	-	-	1,1	57	-	83	1,1	0,045	0,23	2,7	4,2	2,8
50	70,3	92,6	-	-	-	2	61	-	99	2	0,04	0,24	2,6	4,1	2,8
	62,9	95,2	-	-	-	2	61	62,5	99	2	0,05	0,24	2,6	4,1	2,8
	66	92,5	-	-	-	2	61	-	99	2	0,05	0,43	1,5	2,3	1,6
	66	92,5	-	-	-	2	61	-	99	2	0,05	0,43	1,5	2,3	1,6
55	70,3	86,5	-	-	-	1,5	64	-	91	1,5	0,04	0,19	3,3	5,1	3,6
	65,9	88,5	-	-	-	1,5	64	65,5	91	1,5	0,045	0,19	3,3	5,1	3,6
	67,7	87,8	-	-	-	1,5	64	-	91	1,5	0,045	0,23	2,7	4,2	2,8
55	77,9	102	-	-	-	2	66	-	109	2	0,04	0,23	2,7	4,2	2,8
	72	101	-	-	-	2	66	-	109	2	0,05	0,4	1,6	2,4	1,6
60	78	95,6	-	-	-	1,5	69	-	101	1,5	0,04	0,19	3,3	5,1	3,6
	73,2	97	-	-	-	1,5	69	73	101	1,5	0,045	0,19	3,3	5,1	3,6
	74,4	96,9	-	-	-	1,5	69	-	101	1,5	0,045	0,24	2,6	4,1	2,8
60	91,6	117	-	-	-	2,1	72	-	118	2	0,04	0,22	2,9	4,5	2,8
	77,1	110	-	-	-	2,1	72	-	118	2	0,05	0,33	1,9	3	2
65	85,1	104	-	-	-	1,5	74	-	111	1,5	0,04	0,18	3,5	5,4	3,6
	79,3	106	-	-	-	1,5	74	79	111	1,5	0,045	0,18	3,5	5,4	3,6
	80,6	106	-	-	-	1,5	74	-	111	1,5	0,045	0,24	2,6	4,1	2,8
65	99	126	-	-	-	2	77	-	128	2	0,04	0,22	2,9	4,5	2,8
	86	120	-	-	-	2,1	77	-	128	2	0,05	0,37	1,7	2,6	1,8
70	87,4	107	-	-	-	1,5	79	-	116	1,5	0,04	0,18	3,5	5,4	3,6
	81,4	109	-	-	-	1,5	79	81	116	1,5	0,045	0,18	3,5	5,4	3,6
	88	109	-	-	-	1,5	79	-	116	1,5	0,04	0,27	2,3	3,6	2,5
70	97,5	127	-	-	-	2,1	82	-	138	2	0,045	0,22	2,9	4,5	2,8
	92	129	-	-	-	2,1	82	-	138	2	0,05	0,37	1,7	2,6	1,8
75	93	115	-	-	-	1,5	84	-	121	1,5	0,04	0,17	3,7	5,7	4
	91,6	117	-	-	-	1,5	84	-	121	1,5	0,045	0,22	2,9	4,5	2,8
75	104	136	-	-	-	2,1	87	-	148	2	0,045	0,22	2,9	4,5	2,8
	97,8	137	-	-	-	2,1	87	-	148	2	0,05	0,37	1,7	2,6	1,8
80	102	123	-	-	-	2	91	-	129	2	0,04	0,16	3,9	6,1	4
	99	126	-	-	-	2	91	-	129	2	0,045	0,22	2,9	4,5	2,8
80	110	145	-	-	-	2,1	92	-	158	2	0,045	0,22	2,9	4,5	2,8
	104	146	-	-	-	2,1	92	-	158	2	0,05	0,37	1,7	2,6	1,8



4.1 Self-aligning ball bearings

d 85 – 240 mm



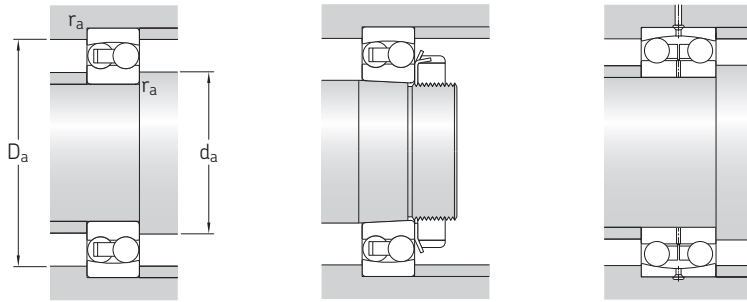
Cylindrical bore

Tapered bore

130.., 139..

Principal dimensions			Basic load ratings		Fatigue load limit	Speed ratings		Mass	Designations	
d	D	B	C	C ₀	P _u	Reference speed	Limiting speed		Bearing with cylindrical bore	tapered bore
mm			kN		kN	r/min		kg	–	
85	150	28	48,8	20,8	0,98	9 000	5 600	2,05	▶ 1217	▶ 1217 K
	150	36	58,5	23,6	1,12	8 000	5 600	2,5	▶ 2217	▶ 2217 K
	180	41	97,5	38	1,7	7 000	4 800	5	1317	▶ 1317 K
	180	60	140	51	2,28	6 700	4 800	7,05	2317	–
90	160	30	57,2	23,6	1,08	8 500	5 300	2,5	▶ 1218	▶ 1218 K
	160	40	70,2	28,5	1,32	7 500	5 300	3,4	▶ 2218	▶ 2218 K
	190	43	117	44	1,93	6 700	4 500	5,8	1318	1318 K
	190	64	151	57	2,5	6 300	4 500	8,45	2318	2318 K
95	170	32	63,7	27	1,2	8 000	5 000	3,1	1219	▶ 1219 K
	170	43	83,2	34,5	1,53	7 000	5 000	4,1	2219	2219 K
	200	45	133	51	2,16	6 300	4 300	6,7	1319	1319 K
	200	67	165	64	2,75	6 000	4 500	9,8	2319 M	2319 KM
100	180	34	68,9	30	1,29	7 500	4 800	3,7	▶ 1220	▶ 1220 K
	180	46	97,5	40,5	1,76	6 700	4 800	5	2220	2220 K
	215	47	143	57	2,36	6 000	4 000	8,3	1320	▶ 1320 K
	215	73	190	80	3,25	5 600	4 000	12,5	2320	2320 K
110	200	38	88,4	39	1,6	6 700	4 300	5,15	▶ 1222	▶ 1222 K
	200	53	124	52	2,12	6 000	4 300	7,1	2222	2222 K
	240	50	163	72	2,75	5 300	3 600	12	1322 M	1322 KM
120	215	42	119	53	2,12	6 300	4 000	6,75	1224 M	1224 KM
130	230	46	127	58,5	2,24	5 600	3 600	8,3	▶ 1226 M	1226 KM
150	225	56	57,2	23,6	0,88	5 600	3 400	7,5	13030	–
180	280	74	95,6	40	1,34	4 500	2 800	16	13036	–
200	280	60	60,5	29	0,97	4 300	2 600	10,5	13940	–
220	300	60	60,5	30,5	0,97	3 800	2 400	11	13944	–
240	320	60	60,5	32	0,98	3 800	2 200	11,5	13948	–

▶ Popular item

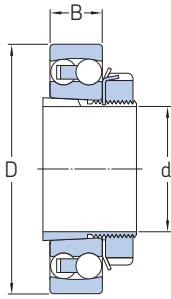


Dimensions						Abutment and fillet dimensions					Calculation factors				
d	d ₁ , d ₂	D ₁ , D ₂	C ₁	b	K	r _{1,2} min.	d _a min.	d _a max.	D _a max.	r _a max.	k _r	e	Y ₁	Y ₂	Y ₀
mm							mm				-				
85	107	131	-	-	-	2	96	-	139	2	0,04	0,17	3,7	5,7	4
	106	131	-	-	-	2	96	-	139	2	0,04	0,25	2,5	3,9	2,5
	117	153	-	-	-	3	99	-	166	3	0,045	0,22	2,9	4,5	2,8
	115	154	-	-	-	3	99	-	166	3	0,05	0,37	1,7	2,6	1,8
	115	154	-	-	-	3	99	-	166	3	0,05	0,37	1,7	2,6	1,8
90	112	139	-	-	-	2	101	-	149	2	0,04	0,17	3,7	5,7	4
	112	140	-	-	-	2	101	-	149	2	0,04	0,27	2,3	3,6	2,5
	122	163	1	-	-	3	104	-	176	3	0,045	0,22	2,9	4,5	2,8
	121	163	-	-	-	3	104	-	176	3	0,05	0,37	1,7	2,6	1,8
	127	171	1,5	-	-	3	109	-	186	3	0,045	0,23	2,7	4,2	2,8
95	119	149	-	-	-	2,1	107	-	158	2	0,04	0,17	3,7	5,7	4
	120	149	-	-	-	2,1	107	-	158	2	0,04	0,27	2,3	3,6	2,5
	127	171	1,5	-	-	3	109	-	186	3	0,045	0,23	2,7	4,2	2,8
	128	171	-	-	-	3	109	-	186	3	0,05	0,37	1,7	2,6	1,8
	127	156	-	-	-	2,1	112	-	168	2	0,04	0,17	3,7	5,7	4
100	124	157	-	-	-	2,1	112	-	168	2	0,04	0,27	2,3	3,6	2,5
	136	182	2,5	-	-	3	114	-	201	3	0,045	0,23	2,7	4,2	2,8
	135	184	-	-	-	3	114	-	201	3	0,05	0,37	1,7	2,6	1,8
	140	174	-	-	-	2,1	122	-	188	2	0,04	0,17	3,7	5,7	4
	138	175	-	-	-	2,1	122	-	188	2	0,04	0,28	2,2	3,5	2,5
110	154	203	2,5	-	-	3	124	-	226	3	0,045	0,22	2,9	4,5	2,8
	149	188	1,3	-	-	2,1	132	-	203	2	0,04	0,19	3,3	5,1	3,6
	163	202	1,3	-	-	3	144	-	216	3	0,04	0,19	3,3	5,1	3,6
120	175	204	-	8,3	4,5	2,1	161	-	214	2	0,02	0,24	2,6	4,1	2,8
180	212	250	-	13,9	7,5	2,1	191	-	269	2	0,02	0,25	2,5	3,9	2,5
200	229	258	-	8,3	4,5	2,1	211	-	269	2	0,015	0,19	3,3	5,1	3,6
220	248	278	-	8,3	4,5	2,1	231	-	289	2	0,015	0,18	3,5	5,4	3,6
240	268	298	-	8,3	4,5	2,1	251	-	309	2	0,015	0,16	3,9	6,1	4



4.2 Self-aligning ball bearings on an adapter sleeve

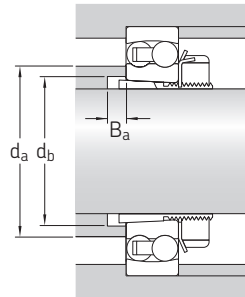
d 17 – 90 mm



Open bearing on a standard sleeve



Sealed bearing on an E design sleeve



4.2

Principal dimensions			Abutment and fillet dimensions			Mass Bearing + sleeve	Designations Bearing ¹⁾	Sleeve ²⁾
d	D	B	d _a max.	d _b min.	B _a min.			
mm			mm			kg	–	
17	47	14	28,5	23	5	0,16	1204 EKTN9	H 204
20	52	15	33	28	5	0,21	▶ 1205 EKTN9	H 205
	52	18	31	28	5	0,23	2205 E-2RS1KTN9	H 305 E
	52	18	32	28	5	0,23	2205 EKTN9	H 305
25	62	17	37	28	6	0,33	1305 EKTN9	H 305
	62	24	32,5	29	5	0,42	2305 E-2RS1KTN9	H 2305
	62	24	35,5	29	5	0,42	2305 EKTN9	H 2305
25	62	16	40	33	5	0,32	▶ 1206 EKTN9	H 206
	62	20	36,5	33	5	0,36	2206 E-2RS1KTN9	H 306 E
	62	20	38	33	5	0,36	2206 EKTN9	H 306
25	72	19	44	33	6	0,49	1306 EKTN9	H 306
	72	27	40	35	5	0,62	2306 E-2RS1KTN9	H 2306
	72	27	41	35	5	0,61	2306 K	H 2306
30	72	17	47	38	5	0,44	▶ 1207 EKTN9	H 207
	72	23	42,5	39	5	0,55	2207 E-2RS1KTN9	H 307 E
	72	23	45	39	5	0,54	2207 EKTN9	H 307
30	80	21	51	39	7	0,65	1307 EKTN9	H 307
	80	31	43,5	40	5	0,86	2307 E-2RS1KTN9	H 2307 E
	80	31	46	40	5	0,84	▶ 2307 EKTN9	H 2307
35	80	18	53	43	6	0,58	▶ 1208 EKTN9	H 208
	80	23	49	44	6	0,67	2208 E-2RS1KTN9	H 308 E
	80	23	52	44	6	0,58	2208 EKTN9	H 308
35	90	23	61	44	6	0,85	1308 EKTN9	H 308
	90	33	53	45	6	1,1	▶ 2308 EKTN9	H 2308
	90	33	55	45	6	1,2	2308 E-2RS1KTN9	H 2308
40	85	19	57	48	6	0,68	▶ 1209 EKTN9	H 209
	85	23	53	50	8	0,76	2209 E-2RS1KTN9	H 309 E
	85	23	55	50	8	0,78	2209 EKTN9	H 309
40	100	25	67	50	6	1,2	1309 EKTN9	H 309
	100	36	60	50	6	1,4	▶ 2309 EKTN9	H 2309
	100	36	60,5	50	6	1,55	2309 E-2RS1KTN9	H 2309

▶ Popular item

¹⁾ For additional bearing data → [product table, page 450](#)

²⁾ For additional adapter sleeve data → [product table, page 1072](#)

Principal dimensions			Abutment and fillet dimensions			Mass Bearing + sleeve	Designations Bearing ¹⁾	Sleeve ²⁾	
d	D	B	d _a max.	d _b min.	B _a min.				
mm			mm			kg	–		
45	90	20	62	53	6	0,77	▶ 1210 EKTN9 2210 E-2RS1KTN9 2210 EKTN9	H 210 H 310 E H 310	
	90	23	58	55	10	0,84			
	90	23	61	55	10	0,87			
		110	27	70	55	6	1,45	▶ 1310 EKTN9 2310 E-2RS1KTN9 2310 K	H 310 H 2310 H 2310
		110	40	62,5	56	6	2		
		110	40	65	56	6	1,9		
50	100	21	70	60	7	0,99	▶ 1211 EKTN9 2211 E-2RS1KTN9 2211 EKTN9	H 211 H 311 E H 311	
	100	25	65,5	60	11	1,1			
	100	25	67	60	11	1,15			
		120	29	77	60	7	1,9	▶ 1311 EKTN9 2311 K	H 311 H 2311
		120	43	72	61	7	2,4		
	55	110	22	78	64	7	1,2	▶ 1212 EKTN9 2212 E-2RS1KTN9 2212 EKTN9	H 212 H 312 E H 312
110		28	73	65	9	1,4			
110		28	74	65	9	1,45			
		130	31	87	65	7	2,15	▶ 1312 EKTN9 2312 K	H 312 H 2312
		130	46	76	66	7	2,95		
60		120	23	85	70	7	1,45	▶ 1213 EKTN9 2213 E-2RS1KTN9 2213 EKTN9	H 213 H 313 E H 313
	120	31	79	70	7	1,75			
	120	31	80	70	9	1,8			
		140	33	98	70	7	2,85	▶ 1313 EKTN9 2313 K	H 313 H 2313
		140	48	85	72	7	3,6		
	65	130	25	93	80	7	2	▶ 1215 K 2215 EKTN9	H 215 H 315
130		31	93	80	13	2,3			
		160	37	104	80	7	4,2		
		160	55	97	82	7	5,55		
70		140	26	101	85	7	2,4	▶ 1216 K 2216 EKTN9	H 216 H 316
	140	33	99	85	13	2,85			
		170	39	109	85	7	5		
		170	58	104	88	7	7,1		
	75	150	28	107	90	8	2,95	▶ 1217 K 2217 K	H 217 H 317
150		36	105	91	13	3,3			
		180	41	117	91	8	6		
80		160	30	112	95	8	3,5	▶ 1218 K 2218 K	H 218 H 318
		160	40	112	96	11	5,5		
			190	43	122	96	8		
		190	64	115	100	8	9,8		
	85	170	32	120	100	8	4,25	▶ 1219 K 2219 K	H 219 H 319
170		43	118	102	10	5,3			
		200	45	127	102	8	7,9		
		200	67	128	105	8	11,5		
90		180	34	127	106	8	5	▶ 1220 K 2220 K	H 220 H 320
	180	46	124	108	9	6,4			
		215	47	136	108	8	9,65		
		215	73	130	110	8	14		

▶ Popular item

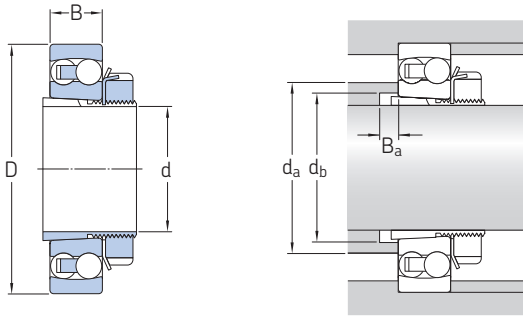
¹⁾ For additional bearing data → [product table, page 450](#)

²⁾ For additional adapter sleeve data → [product table, page 1072](#)



4.2 Self-aligning ball bearings on an adapter sleeve

d 100 – 115 mm



4.2

Principal dimensions			Abutment and fillet dimensions			Mass Bearing + sleeve	Designations Bearing ¹⁾	Sleeve ²⁾
d	D	B	d _a max.	d _b min.	B _a min.			
mm			mm			kg	–	
100	200	38	140	116	8	6,8	▶ 1222 K 2222 K 1322 KM	H 222
	200	53	137	118	8	8,85		H 322
	240	50	154	118	10	13,5		H 322
110	215	42	150	127	12	8,3	1224 KM	H 3024
115	230	46	163	137	15	11	1226 KM	H 3026

▶ Popular item

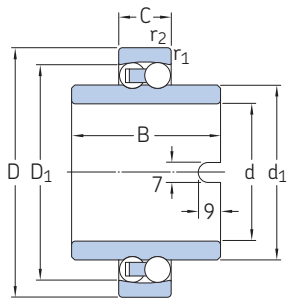
¹⁾ For additional bearing data → [product table, page 450](#)

²⁾ For additional adapter sleeve data → [product table, page 1072](#)



4.3 Self-aligning ball bearings with an extended inner ring

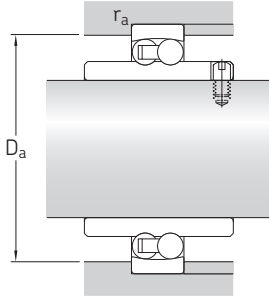
d 20 – 60 mm



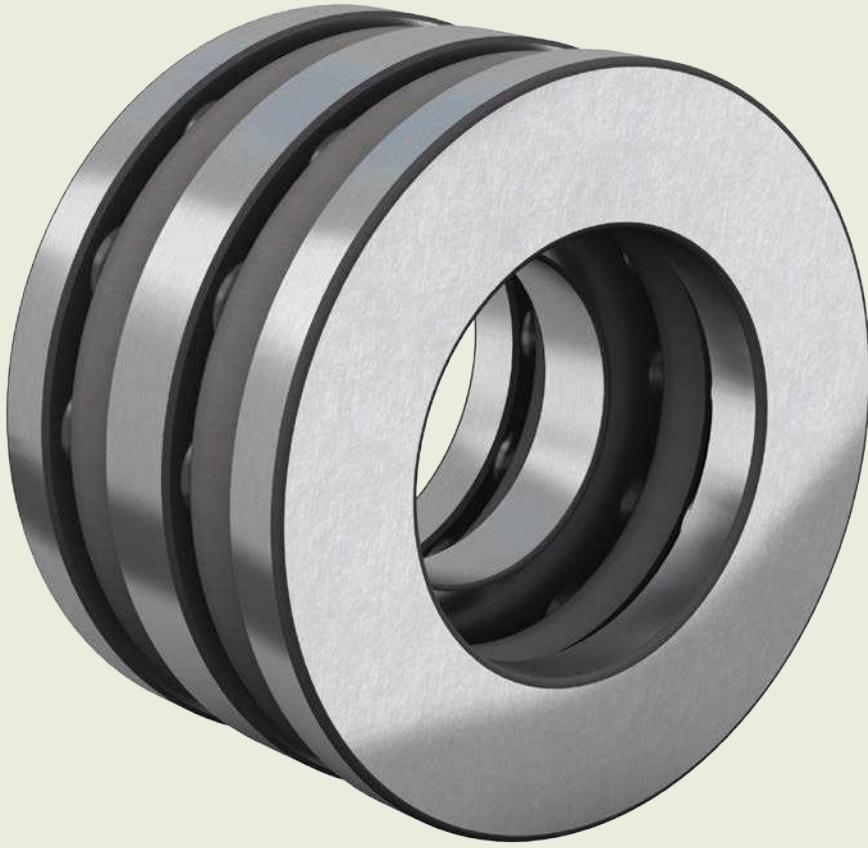
4.3



Principal dimensions			Basic load ratings		Fatigue load limit	Limiting speed	Mass	Designation
d	D	C	dynamic	static				
			C	C_0	P_u			
mm			kN		kN	r/min	kg	–
20	47	14	12,7	3,4	0,18	9 000	0,18	11204 ETN9
25	52	15	14,3	4	0,21	8 000	0,22	11205 ETN9
30	62	16	15,6	4,65	0,24	6 700	0,35	11206 TN9
35	72	17	19	6	0,305	5 600	0,54	11207 TN9
40	80	18	19	6,55	0,335	5 000	0,72	11208 TN9
45	85	19	22,9	7,8	0,4	4 500	0,77	11209 TN9
50	90	20	26,5	9,15	0,475	4 300	0,85	11210 TN9
60	110	22	31,2	12,2	0,62	3 400	1,15	11212 TN9



Dimensions					Abutment and fillet dimensions		Calculation factors				
d	d ₁ ≈	D ₁ ≈	B	r _{1,2} min.	D _a max.	r _a max.	k _r	e	Y ₁	Y ₂	Y ₀
mm					mm		-				
20	28,8	40	40	1	41,4	1	0,04	0,3	2,1	3,3	2,2
25	33,3	44,6	44	1	46,4	1	0,04	0,28	2,2	3,5	2,5
30	40,1	51,9	48	1	56,4	1	0,04	0,25	2,5	3,9	2,5
35	47	60,9	52	1,1	65	1,1	0,04	0,23	2,7	4,2	2,8
40	54	67,5	56	1,1	73	1,1	0,04	0,22	2,9	4,5	2,8
45	57,7	72,5	58	1,1	78	1,1	0,04	0,21	3	4,6	3,2
50	61,7	78,1	58	1,1	83	1,1	0,04	0,21	3	4,6	3,2
60	78	95,6	62	1,5	101	1,5	0,04	0,19	3,3	5,1	3,6



5

Thrust ball bearings



5 Thrust ball bearings

Designs and variants	467		
Single direction thrust ball bearings.....	467		
Double direction thrust ball bearings.....	467		
Bearings with sphered housing washers.....	468		
Cages.....	468		
Bearing data	469		
(Dimension standards, tolerances, permissible misalignment)			
Loads	469		
(Minimum load, equivalent dynamic bearing load, equivalent static bearing load)			
Temperature limits	470		
Permissible speed	470		
Mounting	470		
Designation system	471		
Product tables			
5.1 Single direction thrust ball bearings	472		
5.2 Single direction thrust ball bearings with a sphered housing washer	482		
5.3 Double direction thrust ball bearings	486		
5.4 Double direction thrust ball bearings with sphered housing washers	490		
		Other thrust ball bearings	
		Bearings with Solid Oil	1023
		NoWear coated bearings	1059
		Polymer ball bearings	→ skf.com/bearings

5 Thrust ball bearings

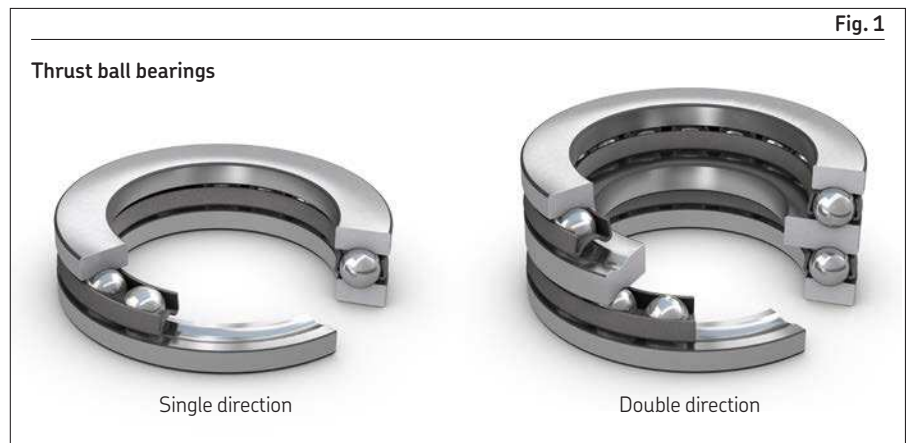
More information

General bearing knowledge	17
Bearing selection process	59
Lubrication	109
Bearing interfaces	139
Seat tolerances for standard conditions	148
Sealing, mounting and dismounting	193

SKF thrust ball bearings (fig. 1) are manufactured as single direction or double direction thrust ball bearings. They are designed to accommodate axial loads only and must not be subjected to any radial load.

Bearing features

- **Separable and interchangeable**
The separable components of SKF thrust ball bearings are interchangeable (fig. 2). This facilitates mounting and dismounting, and maintenance inspections.
- **Initial misalignment**
Bearings with sphered housing washer(s) (fig. 3) can accommodate initial misalignment.
- **Interference fit**
Shaft washers have a ground bore to enable an interference fit. The bore of the housing washer is turned and always larger than the shaft washer bore.



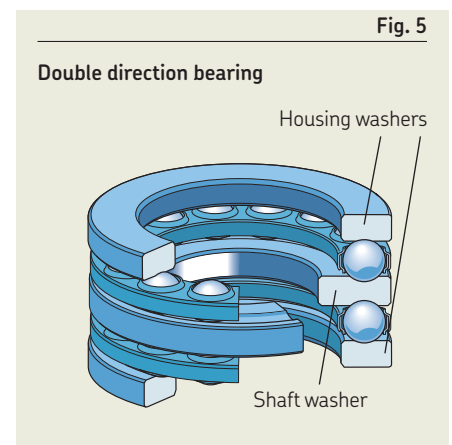
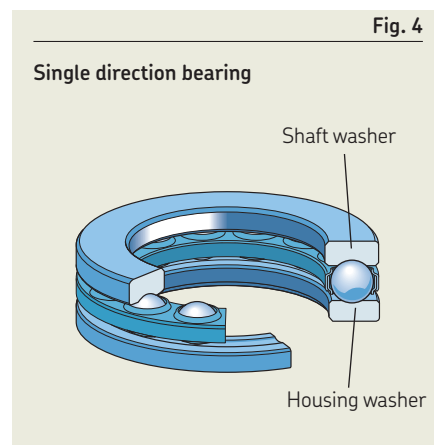
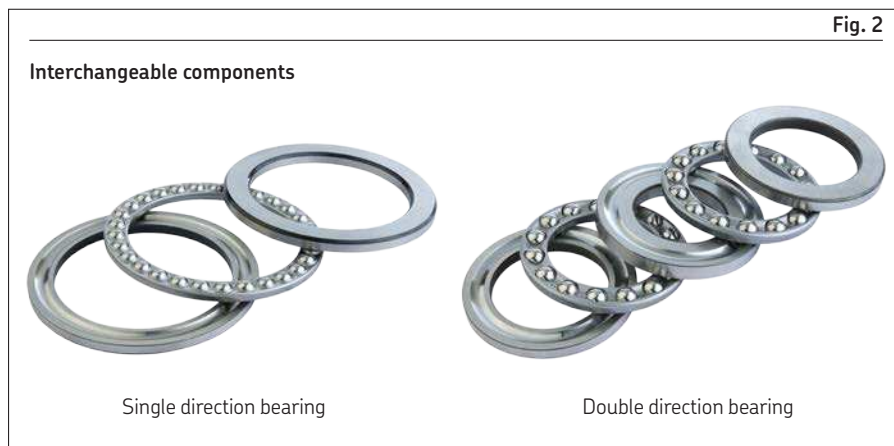
Designs and variants

Single direction thrust ball bearings

- consist of a shaft washer, a housing washer and a ball and cage assembly (fig. 4)
- can accommodate axial loads and locate a shaft axially, in one direction only

Double direction thrust ball bearings

- consist of one shaft washer, two housing washers and two ball and cage assemblies (fig. 5)
- The housing washers and ball and cage assemblies of double direction bearings are identical to those used in single direction bearings.
- can accommodate axial loads and locate a shaft axially, in both directions



Bearings with sphered housing washers

- can accommodate initial misalignment
- are available in both single (fig. 6) and double direction designs
- can be used together with a sphered seat washer adjacent to the housing washer (fig. 7) or adjacent to a machine component manufactured with a sphered surface

Appropriate sphered seat washers must be ordered separately (product tables, page 482, and page 490). Depending on the bearing series, they have the basic designation U 2, U 3 or U 4 followed by a two-digit number, which identifies the size, e.g. sphered seat washer U 320 for bearing 53320.

Cages

SKF thrust ball bearings are fitted with one of the cages shown in table 1.

For additional information about the suitability of cages, refer to Cages, page 187.

Table 1

Cages for thrust ball bearings

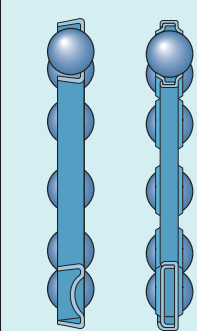
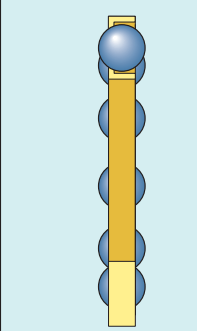
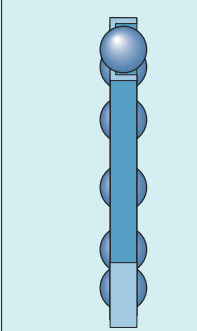
			
Cage description	Stamped steel, ball centred	Machined brass, ball centred	Machined steel, ball centred
Suffix	-	M	F

Fig. 6

Single direction bearing with a sphered housing washer

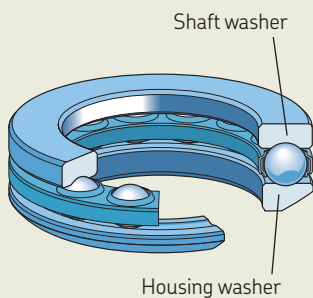
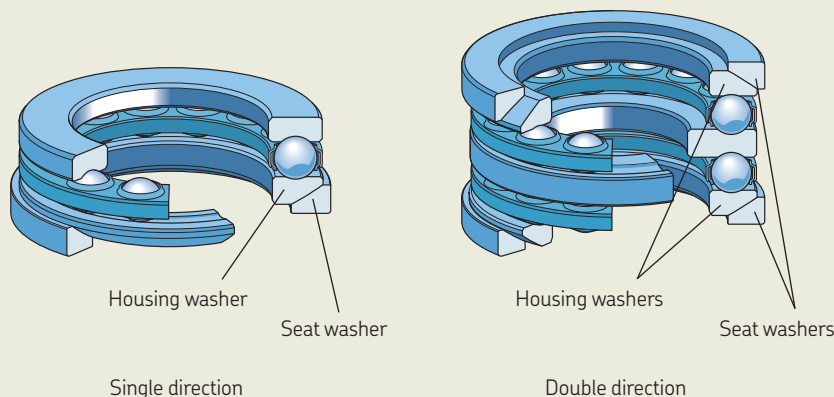


Fig. 7

Bearings with sphered housing washer(s) and sphered seat washer(s)



Bearing data

	Thrust ball bearings with flat housing washers	Thrust ball bearings with sphered housing washers
Dimension standards	ISO 104 Bearings in the BA series are not standardized.	ISO 20516
Tolerances	Normal P5 or P6 on request (single direction bearings only)	Normal
For additional information → page 35	Values: ISO 199 (table 10, page 46) Bearings in the BA series are not standardized.	
Permissible misalignment	Cannot tolerate any misalignment.	Accommodate only initial misalignment.

Loads

Minimum load	$F_{am} = A \left(\frac{n}{1\ 000} \right)^2$	Symbols A minimum load factor (product tables, page 472) F _a axial load [kN] F _{am} minimum axial load [kN] n rotational speed [r/min] P equivalent dynamic bearing load [kN] P ₀ equivalent static bearing load [kN]
For additional information → page 106		
Equivalent dynamic bearing load		
P = F _a		
For additional information → page 91		
Equivalent static bearing load		
P ₀ = F _a		
For additional information → page 105		

Temperature limits

The permissible operating temperature for thrust ball bearings can be limited by:

- the dimensional stability of the bearing washers and balls
- the cage
- the seat washer(s)
- the lubricant

Where temperatures outside the permissible range are expected, contact SKF.

Bearing washers and balls

Depending on their size, washers and balls of SKF thrust ball bearings are heat stabilized up to:

- 125 °C (260 °F) where $d \leq 300$ mm
- 150 °C (300 °F) where $d > 300$ mm

Cages

Steel and brass cages can be used at the same operating temperatures as the bearing washers and balls.

Seat washers

Seat washers are made of steel and can be used at the same operating temperatures as the bearing washers and balls.

Lubricants

For temperature limits of SKF greases, refer to *Selecting a suitable SKF grease*, [page 116](#).

When using lubricants not supplied by SKF, temperature limits should be evaluated according to the SKF traffic light concept ([page 117](#)).

Permissible speed

The speed ratings in the [product tables](#) indicate:

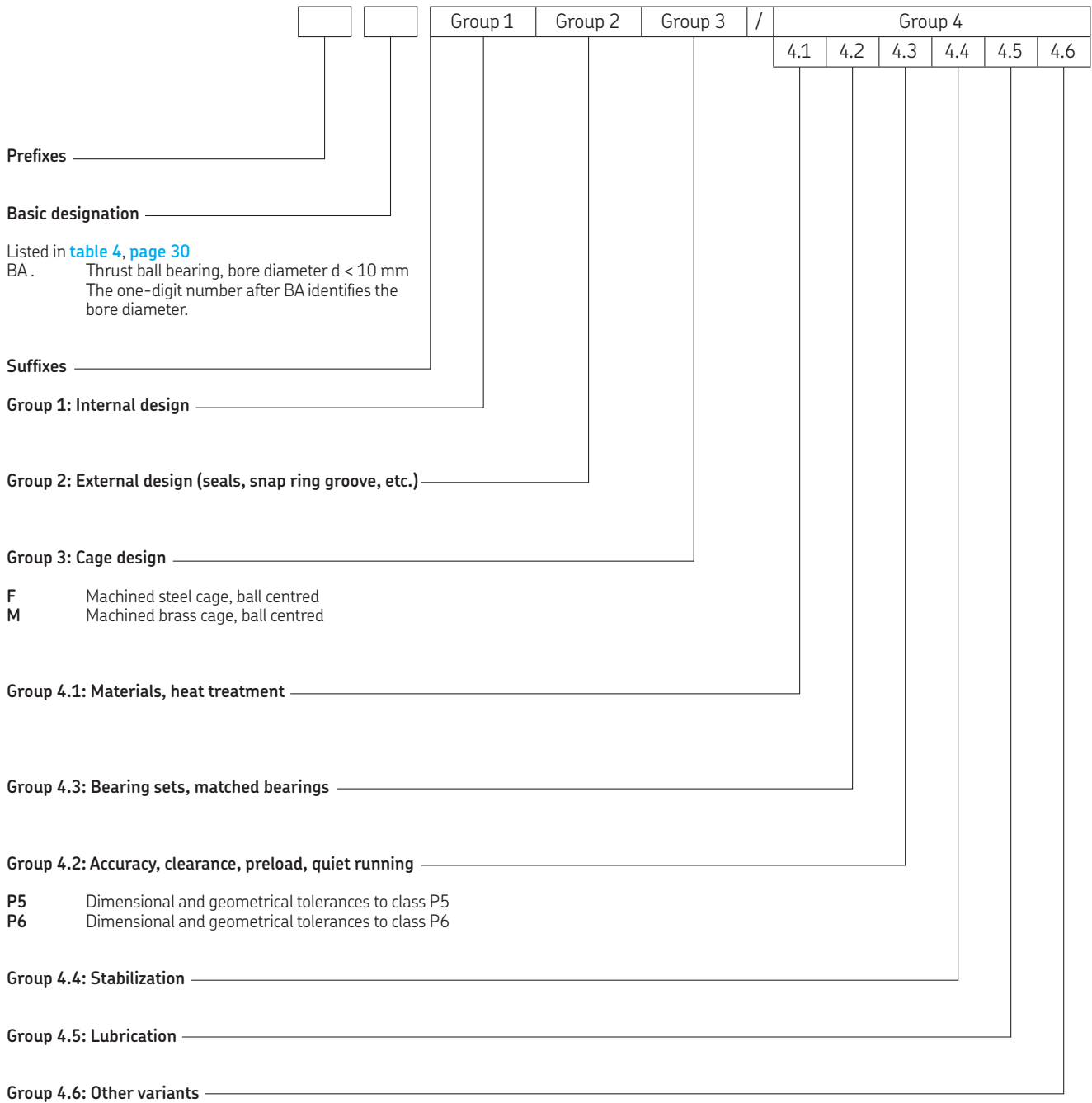
- the **reference speed**, which enables a quick assessment of the speed capabilities from a thermal frame of reference
- the **limiting speed**, which is a mechanical limit that should not be exceeded unless the bearing design and the application are adapted for higher speeds

For additional information, refer to *Operating temperature and speed*, [page 130](#).

Mounting

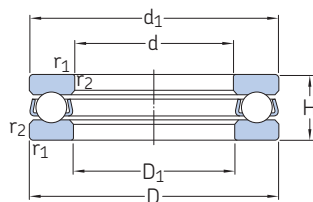
Where mounting a single direction thrust ball bearing, it is important to differentiate between the shaft washer and the housing washer. The bore of the shaft washer is ground and always smaller than the bore of the housing washer. The shaft washer should always be placed against a shaft step or fixed shaft component.

Designation system



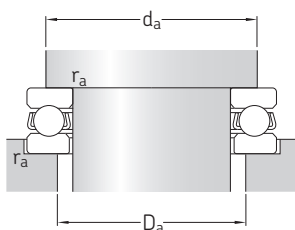
5.1 Single direction thrust ball bearings

d 3 – 35 mm



Principal dimensions			Basic load ratings		Fatigue load limit	Minimum load factor	Speed ratings		Mass	Designation
d	D	H	dynamic	static			Reference speed	Limiting speed		
mm			kN		kN	–	r/min		kg	–
3	8	3,5	0,806	0,72	0,027	0,000 003	26 000	36 000	0,0009	▶ BA 3
4	10	4	0,761	0,72	0,027	0,000 003	22 000	30 000	0,0015	▶ BA 4
5	12	4	0,852	0,965	0,036	0,000 005	20 000	28 000	0,0021	▶ BA 5
6	14	5	1,78	1,92	0,071	0,000 019	17 000	24 000	0,0035	▶ BA 6
7	17	6	2,51	2,9	0,108	0,000 044	14 000	19 000	0,0065	▶ BA 7
8	19	7	3,19	3,8	0,143	0,000 075	12 000	17 000	0,0091	▶ BA 8
9	20	7	3,12	3,8	0,143	0,000 075	12 000	16 000	0,01	▶ BA 9
10	24	9	9,95	15,3	0,56	0,0012	9 500	13 000	0,02	▶ 51100
	26	11	12,7	18,6	0,695	0,0018	8 000	11 000	0,03	▶ 51200
12	26	9	10,4	16,6	0,62	0,0014	9 000	13 000	0,022	▶ 51101
	28	11	13,3	20,8	0,765	0,0022	8 000	11 000	0,034	▶ 51201
15	28	9	10,6	18,3	0,67	0,0017	8 500	12 000	0,023	▶ 51102
	32	12	15,9	25	0,915	0,0038	7 000	10 000	0,046	▶ 51202
17	30	9	11,4	21,2	0,78	0,0023	8 500	12 000	0,025	▶ 51103
	35	12	16,3	27	1	0,0047	6 700	9 500	0,053	▶ 51203
20	35	10	15,1	29	1,08	0,0044	7 500	10 000	0,037	▶ 51104
	40	14	21,2	37,5	1,4	0,0085	6 000	8 000	0,083	▶ 51204
25	42	11	18,2	39	1,43	0,0079	6 300	9 000	0,056	▶ 51105
	47	15	26,5	50	1,86	0,015	5 300	7 500	0,11	▶ 51205
30	52	18	34,5	60	2,24	0,018	4 500	6 300	0,17	▶ 51305
	60	24	42,3	67	2,45	0,048	3 600	5 000	0,34	▶ 51405
30	47	11	19	43	1,6	0,0096	6 000	8 500	0,063	▶ 51106
	52	16	25,1	51	1,86	0,013	4 800	6 700	0,13	▶ 51206
35	60	21	35,8	65,5	2,4	0,026	3 800	5 300	0,26	▶ 51306
	70	28	70,2	122	4,5	0,097	3 000	4 300	0,52	▶ 51406
35	52	12	19,9	51	1,86	0,013	5 600	7 500	0,08	▶ 51107
	62	18	35,1	73,5	2,7	0,028	4 000	5 600	0,22	▶ 51207
35	68	24	49,4	96,5	3,55	0,048	3 400	4 800	0,39	▶ 51307
	80	32	76,1	137	5,1	0,15	2 600	3 600	0,79	▶ 51407

▶ Popular item



Dimensions **Abutment and fillet dimensions**

d d₁ D₁ r_{1,2} d_a D_a r_a
 ≈ ≈ min. min. min. max. max.

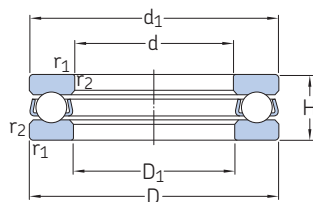
mm

mm

3	7,8	3,2	0,15	5,8	5	0,15
4	9,8	4,2	0,15	7,5	6,5	0,15
5	11,8	5,2	0,15	8	9	0,15
6	13,8	6,2	0,2	11	9,5	0,2
7	16,8	7,2	0,2	12,5	11	0,2
8	18,8	8,2	0,3	14,5	12,5	0,3
9	19,8	9,2	0,3	15,5	13,5	0,3
10	24 26	11 12	0,3 0,6	19 20	15 16	0,3 0,6
12	26 28	13 14	0,3 0,6	21 22	17 18	0,3 0,6
15	28 32	16 17	0,3 0,6	23 25	20 22	0,3 0,6
17	30 35	18 19	0,3 0,6	25 28	22 24	0,3 0,6
20	35 40	21 22	0,3 0,6	29 32	26 28	0,3 0,6
25	42 47	26 27	0,6 0,6	35 38	32 34	0,6 0,6
	52 60	27 27	1 1	41 46	36 39	1 1
30	47 52	32 32	0,6 0,6	40 43	37 39	0,6 0,6
	60 70	32 32	1 1	48 54	42 46	1 1
35	52 62	37 37	0,6 1	45 51	42 46	0,6 1
	68 80	37 37	1 1,1	55 62	48 53	1 1

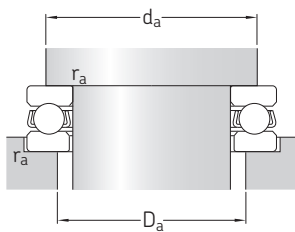
5.1 Single direction thrust ball bearings

d 40 – 75 mm



Principal dimensions			Basic load ratings		Fatigue load limit	Minimum load factor	Speed ratings		Mass	Designation
d	D	H	dynamic	static			Reference speed	Limiting speed		
mm			kN		kN	–	r/min		kg	–
40	60	13	25,5	63	2,32	0,02	5 000	7 000	0,12	► 51108
	68	19	44,2	96,5	3,6	0,058	3 800	5 300	0,28	► 51208
	78	26	61,8	122	4,5	0,077	3 000	4 300	0,53	► 51308
	90	36	95,6	183	6,8	0,26	2 400	3 400	1,1	► 51408
45	65	14	26,5	69,5	2,55	0,025	4 500	6 300	0,14	► 51109
	73	20	39	86,5	3,2	0,038	3 600	5 000	0,3	► 51209
	85	28	76,1	153	5,6	0,12	2 800	4 000	0,66	► 51309
	100	39	124	240	9	0,37	2 200	3 000	1,4	► 51409
50	70	14	27	75	2,8	0,029	4 300	6 300	0,16	► 51110
	78	22	49,4	116	4,3	0,069	3 400	4 500	0,37	► 51210
	95	31	81,9	170	6,3	0,19	2 600	3 600	0,94	► 51310
	110	43	159	340	12,5	0,6	2 000	2 800	2	► 51410
55	78	16	30,2	81,5	3	0,039	3 800	5 300	0,23	► 51111
	90	25	58,5	134	4,9	0,11	2 800	4 000	0,59	► 51211
	105	35	101	224	8,3	0,26	2 200	3 200	1,3	► 51311
	120	48	195	400	14,6	0,79	1 800	2 400	2,55	► 51411
60	85	17	41,6	122	4,55	0,077	3 600	5 000	0,27	► 51112
	95	26	59,2	140	5,1	0,12	2 800	3 800	0,65	► 51212
	110	35	101	224	8,3	0,26	2 200	3 000	1,35	► 51312
	130	51	199	430	16	0,96	1 600	2 200	3,1	► 51412 M
65	90	18	37,7	108	4	0,06	3 400	4 800	0,33	► 51113
	100	27	60,5	150	5,5	0,14	2 600	3 600	0,72	► 51213
	115	36	106	240	8,8	0,3	2 000	3 000	1,5	► 51313
	140	56	216	490	18	1,2	1 500	2 200	4	► 51413 M
70	95	18	40,3	120	4,4	0,074	3 400	4 500	0,35	► 51114
	105	27	62,4	160	5,85	0,16	2 600	3 600	0,79	► 51214
	125	40	135	320	11,8	0,53	1 900	2 600	2	► 51314
	150	60	234	550	19,3	1,6	1 400	2 000	5	► 51414 M
75	100	19	44,2	134	4,9	0,11	3 200	4 300	0,4	► 51115
	110	27	63,7	170	6,2	0,17	2 400	3 400	0,83	► 51215
	135	44	163	390	14	0,79	1 700	2 400	2,6	► 51315
	160	65	251	610	20,8	1,9	1 300	1 800	6,75	► 51415 M

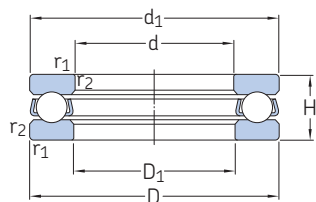
► Popular item



Dimensions				Abutment and fillet dimensions		
d	d_1 ≈	D_1 ≈	$r_{1,2}$ min.	d_a min.	D_a max.	r_a max.
mm				mm		
40	60	42	0,6	52	48	0,6
	68	42	1	57	51	1
	78	42	1	63	55	1
	90	42	1,1	70	60	1
45	65	47	0,6	57	53	0,6
	73	47	1	62	56	1
	85	47	1	69	61	1
	100	47	1,1	78	67	1
50	70	52	0,6	62	58	0,6
	78	52	1	67	61	1
	95	52	1,1	77	68	1
	110	52	1,5	86	74	1,5
55	78	57	0,6	69	64	0,6
	90	57	1	76	69	1
	105	57	1,1	85	75	1
	120	57	1,5	94	81	1,5
60	85	62	1	75	70	1
	95	62	1	81	74	1
	110	62	1,1	90	80	1
	130	62	1,5	102	88	1,5
65	90	67	1	80	75	1
	100	67	1	86	79	1
	115	67	1,1	95	85	1
	140	68	2	110	95	2
70	95	72	1	85	80	1
	105	72	1	91	84	1
	125	72	1,1	103	92	1
	150	73	2	118	102	2
75	100	77	1	90	85	1
	110	77	1	96	89	1
	135	77	1,5	111	99	1,5
	160	78	2	126	109	2

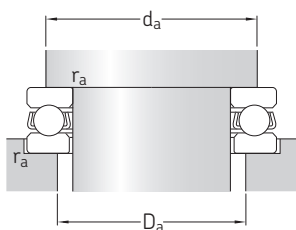
5.1 Single direction thrust ball bearings

d 80 – 140 mm



Principal dimensions			Basic load ratings		Fatigue load limit	Minimum load factor	Speed ratings		Mass	Designation
d	D	H	dynamic	static			Reference speed	Limiting speed		
mm			kN		kN	–	r/min		kg	–
80	105	19	44,9	140	5,1	0,12	3 000	4 300	0,42	► 51116
	115	28	76,1	208	7,65	0,22	2 400	3 400	0,91	► 51216
	140	44	159	390	13,7	0,79	1 700	2 400	2,7	► 51316
	170	68	302	750	25	2,3	1 200	1 700	7,95	► 51416 M
85	110	19	44,9	146	5,4	0,14	3 000	4 300	0,44	► 51117
	125	31	97,5	275	9,8	0,39	2 200	3 000	1,2	► 51217
	150	49	174	405	14	1,1	1 600	2 200	3,55	► 51317
	180	72	286	750	24	2,9	1 200	1 600	9,45	► 51417 M
90	120	22	59,2	208	7,5	0,22	2 600	3 800	0,67	► 51118
	135	35	112	290	10,4	0,55	2 000	2 800	1,7	► 51218
	155	50	182	440	14,6	1,3	1 500	2 200	3,8	► 51318
	190	77	307	815	25,5	3,5	1 100	1 500	11	► 51418 M
100	135	25	80,6	265	9,15	0,44	2 400	3 200	0,97	► 51120
	150	38	119	325	10,8	0,62	1 800	2 400	2,2	► 51220
	170	55	225	570	18,3	1,9	1 400	1 900	4,95	► 51320
	210	85	371	1 060	31,5	5,8	950	1 400	15	► 51420 M
110	145	25	83,2	285	9,5	0,52	2 200	3 200	1,05	► 51122
	160	38	125	365	11,6	0,79	1 700	2 400	2,4	► 51222
	190	63	281	815	24,5	3,2	1 200	1 700	7,85	► 51322 M
	230	95	410	1 220	34,5	7,7	900	1 300	20	► 51422 M
120	155	25	85,2	305	9,65	0,58	2 200	3 000	1,15	► 51124
	170	39	127	390	11,8	1	1 600	2 200	2,65	► 51224
	210	70	325	980	28,5	5	1 100	1 500	11	► 51324 M
	250	102	432	1 320	36	16	800	1 100	25,5	► 51424 M
130	170	30	119	440	13,4	0,94	1 900	2 600	1,85	► 51126
	190	45	186	585	17	1,8	1 400	2 000	4	► 51226
	225	75	358	1 140	32	6,8	1 000	1 400	13	► 51326 M
	270	110	520	1 730	45	16	750	1 000	32	► 51426 M
140	180	31	111	440	12,9	1	1 800	2 600	2,05	► 51128
	200	46	190	620	17,6	2	1 400	1 900	4,35	► 51228
	240	80	377	1 220	32,5	9,1	950	1 300	15,5	► 51328 M
	280	112	520	1 730	44	16	700	1 000	34,5	► 51428 M

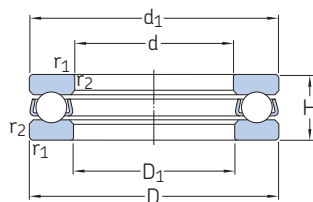
► Popular item



Dimensions				Abutment and fillet dimensions		
d	d ₁ ≈	D ₁ ≈	r _{1,2} min.	d _a min.	D _a max.	r _a max.
mm				mm		
80	105	82	1	95	90	1
	115	82	1	101	94	1
	140	82	1,5	116	104	1,5
	170	83	2,1	133	117	2
85	110	87	1	100	95	1
	125	88	1	109	101	1
	150	88	1,5	124	111	1,5
	177	88	2,1	141	124	2
90	120	92	1	108	102	1
	135	93	1,1	117	108	1
	155	93	1,5	129	116	1,5
	187	93	2,1	149	131	2
100	135	102	1	121	114	1
	150	103	1,1	130	120	1
	170	103	1,5	142	128	1,5
	205	103	3	165	145	2,5
110	145	112	1	131	124	1
	160	113	1,1	140	130	1
	187	113	2	158	142	2
	225	113	3	181	159	2,5
120	155	122	1	141	134	1
	170	123	1,1	150	140	1
	205	123	2,1	173	157	2
	245	123	4	197	173	3
130	170	132	1	154	146	1
	187	133	1,5	166	154	1,5
	220	134	2,1	186	169	2
	265	134	4	213	187	3
140	178	142	1	164	156	1
	197	143	1,5	176	164	1,5
	235	144	2,1	199	181	2
	275	144	4	223	197	3

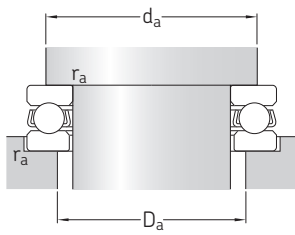
5.1 Single direction thrust ball bearings

d 150 – 340 mm



Principal dimensions			Basic load ratings		Fatigue load limit	Minimum load factor	Speed ratings		Mass	Designation
d	D	H	dynamic	static			Reference speed	Limiting speed		
mm			kN		kN	–	r/min		kg	–
150	190	31	111	440	12,5	1	1 700	2 400	2,2	► 51130 M
	215	50	238	800	22	3,3	1 300	1 800	6,1	► 51230 M
	250	80	390	1 290	34	10	900	1 300	16,5	► 51330 M
	300	120	559	1 960	48	20	670	950	42,5	► 51430 M
160	200	31	112	465	12,9	1,1	1 700	2 400	2,35	► 51132 M
	225	51	238	830	22,4	3,8	1 200	1 700	6,55	► 51232 M
	270	87	449	1 660	41,5	14	850	1 200	21	► 51332 M
170	215	34	133	540	14,3	1,5	1 600	2 200	3,3	► 51134 M
	240	55	270	930	24	5,4	1 200	1 700	8,15	► 51234 M
	280	87	468	1 760	43	16	800	1 100	22	► 51334 M
180	225	34	135	570	15	1,7	1 500	2 200	3,5	► 51136 M
	250	56	302	1 120	28,5	6,1	1 200	1 600	8,6	► 51236 M
	300	95	520	2 000	47,5	21	750	1 100	28,5	► 51336 M
190	240	37	172	710	18	2,6	1 400	2 000	4,05	► 51138 M
	270	62	332	1 270	31	8,4	1 100	1 600	12	► 51238 M
	320	105	559	2 200	51	30	700	950	36,5	► 51338 M
200	250	37	168	710	17,6	2,6	1 400	1 900	4,25	► 51140 M
	280	62	338	1 320	31,5	9,1	1 100	1 500	12	► 51240 M
	340	110	624	2 600	58,5	35	630	900	44,5	► 51340 M
220	270	37	178	800	19	3,3	1 300	1 900	4,6	► 51144 M
	300	63	358	1 460	33,5	11	950	1 300	13	► 51244 M
240	300	45	234	1 040	23,6	5,6	1 100	1 600	7,55	► 51148 M
	340	78	449	1 960	42,5	21	800	1 100	23	► 51248 M
260	320	45	238	1 100	24	6,3	1 100	1 500	8,1	► 51152 M
	360	79	488	2 240	46,5	24	750	1 100	25	► 51252 M
280	350	53	319	1 460	30,5	11	950	1 300	12	► 51156 M
	380	80	488	2 320	47,5	28	750	1 000	26,5	► 51256 M
300	380	62	364	1 760	35,5	16	850	1 200	17,5	► 51160 M
	420	95	585	3 000	57	47	630	850	42	► 51260 M
320	400	63	371	1 860	36,5	18	800	1 100	19	► 51164 M
	440	95	572	3 000	56	47	600	800	45,5	► 51264 F
	440	95	572	3 000	56	47	600	800	45	► 51264 M
340	420	64	377	1 960	37,5	20	800	1 100	20,5	► 51168 M
	460	96	605	3 200	25,5	53	600	800	48,5	► 51268 F

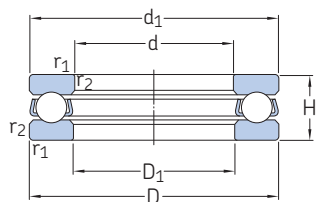
► Popular item



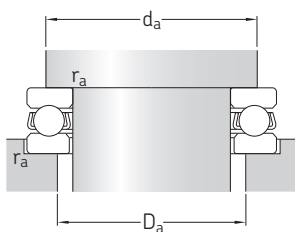
Dimensions				Abutment and fillet dimensions		
d	d ₁ ≈	D ₁ ≈	r _{1,2} min.	d _a min.	D _a max.	r _a max.
mm				mm		
150	188	152	1	174	166	1
	212	153	1,5	189	176	1,5
	245	154	2,1	209	191	2
	295	154	4	239	211	3
160	198	162	1	184	176	1
	222	163	1,5	199	186	1,5
	265	164	3	225	205	2,5
170	213	172	1,1	197	188	1
	237	173	1,5	212	198	1,5
	275	174	3	235	215	2,5
180	222	183	1,1	207	198	1
	245	183	1,5	222	208	1,5
	295	184	3	251	229	2,5
190	237	193	1,1	220	210	1
	265	194	2	238	222	2
	315	195	4	267	243	3
200	247	203	1,1	230	220	1
	275	204	2	248	232	2
	335	205	4	283	257	3
220	267	223	1,1	250	240	1
	295	224	2	268	252	2
240	297	243	1,5	276	264	1,5
	335	244	2,1	299	281	2
260	317	263	1,5	296	284	1,5
	355	264	2,1	319	301	2
280	347	283	1,5	322	308	1,5
	375	284	2,1	339	321	2
300	376	304	2	348	332	2
	415	304	3	371	349	2,5
320	396	324	2	368	352	2
	435	325	3	391	369	2,5
	435	325	3	391	369	2,5
340	416	344	2	388	372	2
	455	345	3	411	389	2,5

5.1 Single direction thrust ball bearings

d 360 – 670 mm



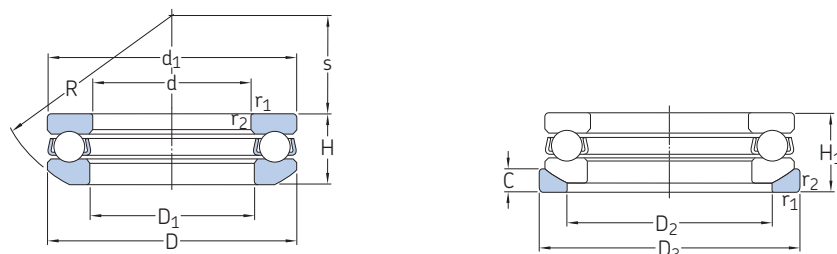
Principal dimensions			Basic load ratings		Fatigue load limit	Minimum load factor	Speed ratings		Mass	Designation
d	D	H	dynamic	static			Reference speed	Limiting speed		
mm			kN		kN	–	r/min		kg	–
360	440	65	390	2 080	38	22	750	1 100	22	51172 F
	500	110	741	4 150	73,5	90	500	700	70	51272 F
380	460	65	397	2 200	40	25	750	1 000	23	51176 F
	520	112	728	4 150	72	90	500	700	73	51276 F
400	480	65	403	2 280	40,5	27	700	1 000	24	51180 F
420	500	65	410	2 400	41,5	30	700	1 000	25,5	51184 F
440	540	80	527	3 250	55	55	600	850	42	51188 F
460	560	80	527	3 250	54	55	600	800	43,5	51192 F
480	580	80	540	3 550	56	66	560	800	45,5	51196 F
500	600	80	553	3 600	57	67	560	800	47	511/500 F
530	640	85	650	4 400	68	100	530	750	58,5	511/530 F
560	670	85	650	4 650	68	110	500	700	61	511/560 F
600	710	85	663	4 800	69,5	120	500	700	65	511/600 F
630	750	95	728	5 400	76,5	150	450	630	84	511/630 F
670	800	105	852	6 700	91,5	230	400	560	105	511/670 F
	800	105	852	6 700	91,5	230	400	560	105	511/670 M



Dimensions				Abutment and fillet dimensions		
d	d_1 ≈	D_1 ≈	$r_{1,2}$ min.	d_a min.	D_a max.	r_a max.
mm				mm		
360	436	364	2	408	392	2
	495	365	4	443	417	3
380	456	384	2	428	412	2
	515	385	4	463	437	3
400	476	404	2	448	432	2
420	496	424	2	468	452	2
440	536	444	2,1	499	481	2
460	556	464	2,1	519	501	2
480	576	484	2,1	539	521	2
500	596	504	2,1	559	541	2
530	636	534	3	595	575	2,5
560	666	564	3	625	606	2,5
600	706	604	3	665	645	2,5
630	746	634	3	701	679	2,5
670	795	675	4	747	723	3
	795	675	4	747	723	3

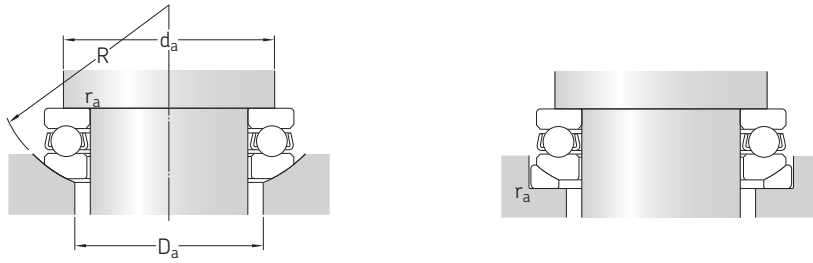
5.2 Single direction thrust ball bearings with a sphered housing washer

d 12 – 75 mm



Principal dimensions			Basic load ratings		Fatigue load limit	Minimum load factor	Speed ratings		Mass Bearing + washer	Designations	
d	D	H ₁	dynamic	static			Reference speed	Limiting speed		Bearing	Seat washer
mm			C	C ₀	P _u	A	r/min		kg	–	
12	28	13	13,3	20,8	0,765	0,0022	8 000	11 000	0,045	► 53201	U 201
15	32	15	15,9	25	0,915	0,0038	7 000	10 000	0,063	► 53202	U 202
17	35	15	16,3	27	1	0,0047	6 700	9 500	0,071	► 53203	U 203
20	40	17	21,2	37,5	1,4	0,0085	5 600	8 000	0,1	► 53204	U 204
25	47	19	26,5	50	1,86	0,015	5 000	7 000	0,15	► 53205	U 205
30	52	20	25,1	51	1,86	0,013	4 500	6 300	0,18	► 53206	U 206
	60	25	35,8	65,5	2,4	0,026	3 800	5 300	0,33	► 53306	U 306
35	62	22	35,1	73,5	2,7	0,028	4 000	5 600	0,28	► 53207	U 207
	68	28	49,4	96,5	3,55	0,048	3 200	4 500	0,46	► 53307	U 307
40	68	23	44,2	96,5	3,6	0,058	3 600	5 300	0,35	► 53208	U 208
	78	31	61,8	122	4,5	0,077	2 800	4 000	0,67	► 53308	U 308
	90	42	95,6	183	6,8	0,26	2 400	3 200	1,35	53408	U 408
45	73	24	39	86,5	3,2	0,038	3 400	4 800	0,39	► 53209	U 209
	85	33	76,1	153	5,6	0,12	2 600	3 800	0,83	► 53309	U 309
50	78	26	49,4	116	4,3	0,069	3 200	4 500	0,47	► 53210	U 210
	95	37	81,9	170	6,3	0,19	2 400	3 400	1,2	► 53310	U 310
	110	50	159	340	12,5	0,6	1 900	2 600	2,3	53410	U 410
55	90	30	58,5	134	4,9	0,11	2 800	3 800	0,75	► 53211	U 211
	105	42	101	224	8,3	0,26	2 200	3 000	1,7	► 53311	U 311
	120	55	195	400	14,6	0,79	1 700	2 400	3,1	53411	U 411
60	95	31	59,2	140	5,1	0,12	2 600	3 600	0,82	► 53212	U 212
	110	42	101	224	8,3	0,26	2 000	3 000	1,7	► 53312	U 312
	130	58	199	430	16	0,96	1 600	2 200	3,8	53412 M	U 412
65	100	32	60,5	150	5,5	0,14	2 600	3 600	0,91	► 53213	U 213
	115	43	106	240	8,8	0,3	2 000	2 800	1,9	► 53313	U 313
70	105	32	62,4	160	5,85	0,16	2 600	3 600	0,97	► 53214	U 214
	125	48	135	320	11,8	0,53	1 800	2 600	2,5	► 53314	U 314
	150	69	234	550	19,3	1,6	1 400	2 000	6,5	53414 M	U 414
75	110	32	63,7	170	6,2	0,17	2 400	3 400	1	► 53215	U 215
	135	52	163	390	14	0,79	1 700	2 400	3,2	► 53315	U 315
	160	75	251	610	20,8	1,9	1 300	1 800	8,1	53415 M	U 415

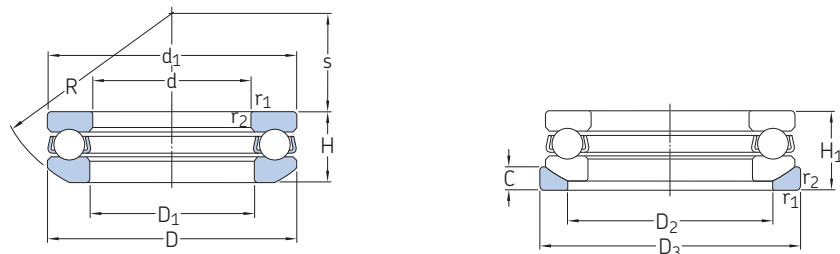
► Popular item



Dimensions										Abutment and fillet dimensions		
d	d ₁ ≈	D ₁ ≈	D ₂	D ₃	H	C	R	s	r _{1,2} min.	d _a min.	D _a max.	r _a max.
mm										mm		
12	28	14	20	30	11,4	3,5	25	11,5	0,6	22	20	0,6
15	32	17	24	35	13,3	4	28	12	0,6	25	24	0,6
17	35	19	26	38	13,2	4	32	16	0,6	28	26	0,6
20	40	22	30	42	14,7	5	36	18	0,6	32	30	0,6
25	47	27	36	50	16,7	5,5	40	19	0,6	38	36	0,6
30	52	32	42	55	17,8	5,5	45	22	0,6	43	42	0,6
	60	32	45	62	22,6	7	50	22	1	48	45	1
35	62	37	48	65	19,9	7	50	24	1	51	48	1
	68	37	52	72	25,6	7,5	56	24	1	55	52	1
40	68	42	55	72	20,3	7	56	28,5	1	57	55	1
	78	42	60	82	28,5	8,5	64	28	1	63	60	1
	90	42	65	95	38,2	12	72	26	1,1	70	65	1
45	73	47	60	78	21,3	7,5	56	26	1	62	60	1
	85	47	65	90	30,1	10	64	25	1	69	65	1
50	78	52	62	82	23,5	7,5	64	32,5	1	67	62	1
	95	52	72	100	34,3	11	72	28	1,1	77	72	1
	110	52	80	115	45,6	14	90	35	1,5	86	80	1,5
55	90	57	72	95	27,3	9	72	35	1	76	72	1
	105	57	80	110	39,3	11,5	80	30	1,1	85	80	1
	120	57	88	125	50,5	15,5	90	28	1,5	94	88	1,5
60	95	62	78	100	28	9	72	32,5	1	81	78	1
	110	62	85	115	38,3	11,5	90	41	1,1	90	85	1
	130	62	95	135	54	16	100	34	1,5	102	95	1
65	100	67	82	105	28,7	9	80	40	1	86	82	1
	115	67	90	120	39,4	12,5	90	38,5	1,1	95	90	1
70	105	72	88	110	27	9	80	38	1	91	88	1
	125	72	98	130	44,2	13	100	43	1,1	103	98	1
	150	73	110	155	63,6	19,5	112	34	2	118	110	2
75	110	77	92	115	28,3	9,5	90	49	1	96	92	1
	135	77	105	140	48,1	15	100	37	1,5	111	105	1
	160	78	115	165	69	21	125	42	2	126	115	2

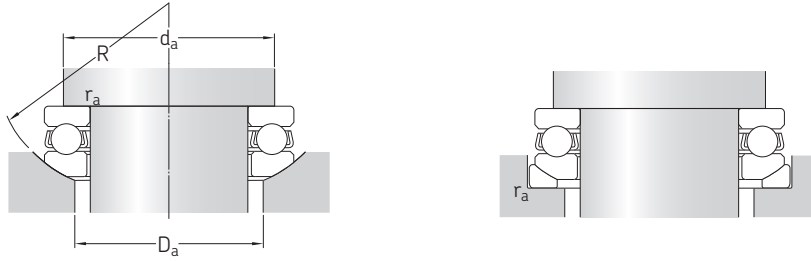
5.2 Single direction thrust ball bearings with a sphered housing washer

d 80 – 140 mm



Principal dimensions			Basic load ratings		Fatigue load limit	Minimum load factor	Speed ratings		Mass Bearing + washer	Designations	
d	D	H ₁	dynamic	static			Reference speed	Limiting speed		Bearing	Seat washer
mm			kN		kN	–	r/min		kg	–	
80	115	33	76,1	208	7,65	0,22	2 400	3 200	1,1	▶ 53216	U 216
	140	52	159	390	13,7	0,79	1 600	2 200	3,2	▶ 53316	U 316
85	125	37	97,5	275	9	0,39	2 000	3 000	1,5	▶ 53217	U 217
	150	58	174	405	14	1,1	1 500	2 000	4,35	▶ 53317	U 317
90	135	42	112	290	10,4	0,55	1 900	2 600	2,1	▶ 53218	U 218
	155	59	182	440	14,6	1,3	1 400	2 000	4,7	▶ 53318	U 318
	190	88	307	815	25,5	3,5	1 100	1 500	13	▶ 53418 M	U 418
100	150	45	119	325	10,8	0,62	1 700	2 400	2,7	▶ 53220	U 220
	170	64	225	570	18,3	1,9	1 300	1 800	5,95	▶ 53320	U 320
	210	98	371	1 060	31,5	5,8	950	1 300	18	▶ 53420 M	U 420
110	160	45	125	365	11,6	0,79	1 700	2 400	2,9	▶ 53222	U 222
	190	72	281	815	24,5	3,2	1 100	1 600	9,1	▶ 53322 M	U 322
120	170	46	127	390	11,8	1	1 500	2 200	3,2	▶ 53224	U 224
	210	80	325	980	28,5	5	1 000	1 400	12,5	▶ 53324 M	U 324
130	190	53	186	585	17	1,8	1 300	1 800	4,85	▶ 53226	U 226
140	200	55	190	620	17,6	2	1 300	1 800	5,45	▶ 53228	U 228

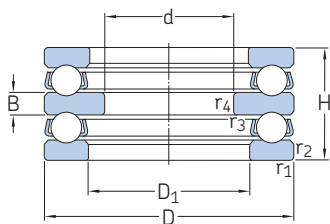
▶ Popular item



Dimensions										Abutment and fillet dimensions		
d	d ₁ ≈	D ₁ ≈	D ₂	D ₃	H	C	R	s	r _{1,2} min.	d _a min.	D _a max.	r _a max.
mm										mm		
80	115	82	98	120	29,5	10	90	46	1	101	98	1
	140	82	110	145	47,6	15	112	50	1,5	116	110	1
85	125	88	105	130	33,1	11	100	52	1	109	105	1
	150	88	115	155	53,1	17,5	112	43	1,5	124	115	1
90	135	93	110	140	38,5	13,5	100	45	1,1	117	110	1
	155	93	120	160	54,6	18	112	40	1,5	129	120	1
	187	93	140	195	81,2	25,5	140	40	2,1	133	140	2
100	150	103	125	155	40,9	14	112	52	1,1	130	125	1
	170	103	135	175	59,2	18	125	46	1,5	142	135	1
	205	103	155	220	90	27	160	50	3	165	155	2
110	160	113	135	165	40,2	14	125	65	1,1	140	135	1
	187	113	150	195	67,2	20	140	51	2	140	150	1
120	170	123	145	175	40,8	15	125	61	1,1	150	145	1
	205	123	165	220	74,1	22	160	63	2,1	173	165	1
130	187	133	160	195	47,9	17	140	67	1,5	166	160	1
140	197	143	170	210	48,6	17	160	87	1,5	176	170	1

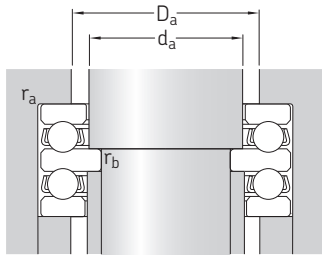
5.3 Double direction thrust ball bearings

d 10 – 65 mm



Principal dimensions			Basic load ratings		Fatigue load limit	Minimum load factor	Speed ratings		Mass	Designation
d	D	H	dynamic	static			Reference speed	Limiting speed		
mm			C	C ₀	P _u	A	r/min		kg	–
10	32	22	15,9	25	0,915	0,0038	5 300	7 500	0,081	► 52202
15	40	26	21,2	37,5	1,4	0,0085	4 300	6 000	0,15	► 52204
20	47	28	26,5	50	1,86	0,015	3 800	5 300	0,22	► 52205
	52	34	34,5	60	2,24	0,018	3 200	4 500	0,33	► 52305
	70	52	70,2	122	4,5	0,097	2 200	3 200	1	52406
25	52	29	25,1	51	1,86	0,013	3 600	5 000	0,25	► 52206
	60	38	35,8	65,5	2,4	0,026	2 800	4 000	0,47	► 52306
	80	59	76,1	137	5,1	0,15	2 000	2 800	1,45	52407
30	62	34	35,1	73,5	2,7	0,028	3 000	4 300	0,41	► 52207
	68	36	44,2	96,5	3,6	0,058	2 800	3 800	0,55	► 52208
	68	44	49,4	96,5	3,55	0,048	2 400	3 400	0,68	► 52307
	78	49	61,8	122	4,5	0,077	2 200	3 000	1,05	► 52308
35	90	65	95,6	183	6,8	0,26	1 800	2 400	2,05	52408
	73	37	39	86,5	3,2	0,038	2 600	3 600	0,6	► 52209
	85	52	76,1	153	5,6	0,12	2 000	2 800	1,25	► 52309
40	100	72	124	240	9	0,37	1 600	2 200	2,7	52409
	78	39	49,4	116	4,3	0,069	2 400	3 400	0,71	► 52210
	95	58	81,9	170	6,3	0,19	1 800	2 600	1,75	► 52310
45	90	45	58,5	134	4,9	0,11	2 200	3 000	1,1	► 52211
	105	64	101	224	8,3	0,26	1 600	2 200	2,4	► 52311
	120	87	195	400	14,6	0,79	1 300	1 800	4,7	52411
50	95	46	59,2	140	5,1	0,12	2 000	2 800	1,2	► 52212
	110	64	101	224	8,3	0,26	1 600	2 200	2,55	► 52312
	130	93	199	430	16	0,96	1 200	1 700	6,35	52412 M
55	100	47	60,5	150	5,5	0,14	2 000	2 800	1,35	► 52213
	105	47	62,4	160	5,85	0,16	1 900	2 600	1,5	► 52214
	115	64	106	240	8,8	0,3	1 600	2 200	2,75	52313
	125	72	135	320	11,8	0,53	1 400	2 000	3,65	52314
60	250	107	234	550	19,3	1,6	800	1 100	9,7	52414 M
	110	47	63,7	170	6,2	0,17	1 900	2 600	1,55	► 52215
65	135	79	163	390	14	0,79	1 300	1 800	4,8	52315
	115	48	76,1	208	7,65	0,22	2 400	3 400	1,7	► 52216
65	140	79	159	390	13,7	0,79	1 300	1 800	4,95	52316

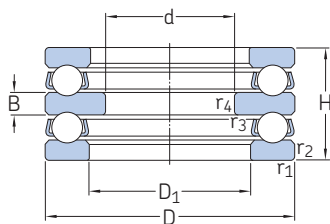
► Popular item



Dimensions					Abutment and fillet dimensions			
d	D ₁ ≈	B	r _{1,2} min.	r _{3,4} min.	d _a	D _a max.	r _a max.	r _b max.
mm					mm			
10	17	5	0,6	0,3	15	22	0,6	0,3
15	22	6	0,6	0,3	20	28	0,6	0,3
20	27	7	0,6	0,3	25	34	0,6	0,3
	27	8	1	0,3	25	36	1	0,3
	32	12	1	0,6	30	46	1	0,6
25	30	7	0,6	0,3	30	39	0,6	0,3
	32	9	1	0,3	30	42	1	0,3
	42	14	1,1	0,6	35	53	1	0,6
30	37	8	1	0,3	35	46	1	0,3
	42	9	1	0,6	40	51	1	0,6
	35	10	1	0,3	35	48	1	0,3
35	40	12	1	0,6	40	55	1	0,6
	42	15	1,1	0,6	40	60	1	0,6
	47	9	1	0,6	45	56	1	0,6
40	47	12	1	0,6	46	61	1	0,6
	47	17	1,1	0,6	45	67	1	0,6
	52	9	1	0,6	50	61	1	0,6
45	52	14	1,1	0,6	50	68	1	0,6
	57	10	1	0,6	55	69	1	0,6
	57	15	1,1	0,6	55	75	1	0,6
50	57	20	1,5	0,6	55	81	1,5	0,6
	62	10	1	0,6	60	74	1	0,6
	62	15	1,1	0,6	60	80	1	0,6
55	62	21	1,5	0,6	60	88	1,5	0,6
	67	10	1	0,6	65	79	1	0,6
	72	10	1	1	70	84	1	1
60	67	15	1,1	0,6	65	85	1	0,6
	72	16	1,1	1	70	92	1	1
	123	24	2	1	70	120	1,5	1
65	77	10	1	1	75	89	1	1
	77	18	1,5	1	75	99	1,5	1
65	82	10	1	0,6	80	94	1	1
	82	18	1,5	1	80	104	1	1

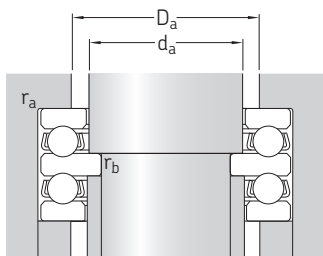
5.3 Double direction thrust ball bearings

d 70 – 150 mm



Principal dimensions			Basic load ratings		Fatigue load limit	Minimum load factor	Speed ratings		Mass	Designation
d	D	H	dynamic	static			Reference speed	Limiting speed		
mm			kN		kN	–	r/min		kg	–
70	125	55	97,5	275	9,8	0,39	1 600	2 200	2,4	▶ 52217
75	135	62	112	290	116	0,55	1 500	2 000	3,2	▶ 52218
85	150	67	119	325	10,8	0,62	1 300	1 800	4,2	▶ 52220
	170	97	225	570	18,3	1,9	1 000	1 400	8,95	▶ 52320
95	160	67	125	365	11,6	0,79	1 300	1 800	4,65	52222
100	170	68	127	390	11,8	1	1 200	1 700	5,25	52224
110	190	80	182	585	16,6	1,8	1 100	1 500	8	▶ 52226
120	200	81	190	620	17,6	2	1 000	1 400	8,65	52228
130	215	89	238	800	22	3,3	950	1 300	11,5	52230 M
140	225	90	238	830	22,4	3,8	900	1 300	12	▶ 52232 M
150	240	97	270	930	24	5,4	850	1 200	15	▶ 52234 M
	250	98	302	1 120	28,5	6,1	800	1 100	16	52236 M

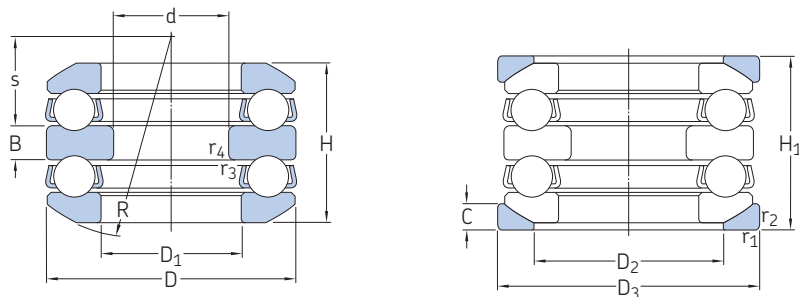
▶ Popular item



Dimensions					Abutment and fillet dimensions			
d	D_1 ≈	B	$r_{1,2}$ min.	$r_{3,4}$ min.	d_a	D_a max.	r_a max.	r_b max.
mm					mm			
70	88	12	1	1	85	101	1	1
75	93	14	1,1	1	90	108	1	1
85	103	15	1,1	1	100	120	1	1
	103	21	1,5	1	100	128	1	1
95	113	15	1,1	1	110	130	1	1
100	123	15	1,1	1,1	120	140	1	1
110	133	18	1,5	1,1	130	154	1,5	1
120	143	18	1,5	1,1	140	164	1,5	1
130	153	20	1,5	1,1	150	176	1,5	1
140	163	20	1,5	1,1	160	186	1,5	1
	173	21	1,5	1,1	170	198	1,5	1
150	183	21	1,5	2	180	208	1,5	2

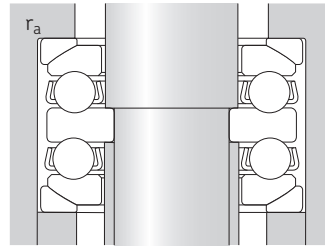
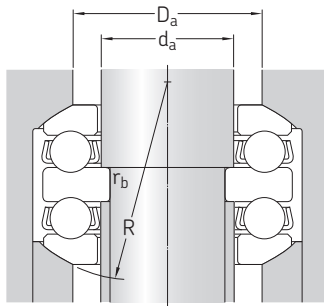
5.4 Double direction thrust ball bearings with sphered housing washers

d 25 – 80 mm

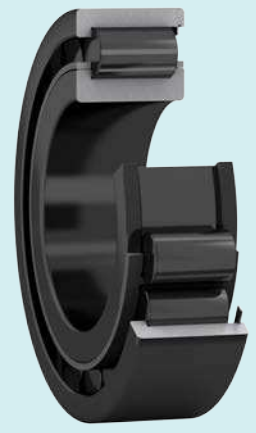


Principal dimensions			Basic load ratings		Fatigue load limit	Minimum load factor	Speed ratings		Mass Bearing + washer	Designations	
d	D	H ₁	dynamic	static			Reference speed	Limiting speed		Bearing	Seat washer
mm			C	C ₀	P _u	A	r/min		kg	–	
25	60	46	35,8	65,5	2,4	0,026	2 800	3 800	0,58	▶	54306 U 306
30	62	42	35,1	73,5	2,7	0,028	2 800	4 000	0,53	▶	54207 U 207
	68	44	44,2	96,5	3,6	0,058	2 800	3 800	0,63		54208 U 208
	68	52	49,4	96,5	3,55	0,048	2 400	3 400	0,85	▶	54307 U 307
	78	59	61,8	122	4,5	0,077	2 200	3 000	1,15		54308 U 308
35	73	45	39	86,5	3,2	0,038	2 600	3 600	0,78		54209 U 209
	85	62	76,1	153	5,6	0,12	1 900	2 800	1,6	▶	54309 U 309
	100	86	124	240	9	0,37	1 500	2 000	3		54409 U 409
40	95	70	81,9	170	6,3	0,19	1 700	2 400	2,3		54310 U 310
	110	92	148	305	11,4	0,6	1 400	1 900	4,45		54410 U 410
45	90	55	58,5	134	4,9	0,11	2 200	3 000	1,3		54211 U 211
50	110	78	101	224	8,3	0,26	1 500	2 200	2,9		54312 U 312
65	140	95	159	390	13,7	0,79	1 300	1 800	5,55		54316 U 316
	170	140	307	750	25	2,3	850	1 200	17,5		54416 M U 416
70	150	105	174	405	14	1,1	1 100	1 500	7,95	▶	54317 U 317
80	210	176	371	1 060	31,5	5,8	700	950	29		54420 M U 420

▶ Popular item



Dimensions											Abutment and fillet dimensions			
d	D ₁ ≈	D ₂	D ₃	H	B	C	R	s	r _{1,2} min.	r _{3,4} min.	d _a	D _a max.	r _a max.	r _b max.
mm											mm			
25	32	45	62	41,3	9	7	50	19,5	1	0,3	30	45	1	0,3
30	37	48	65	37,8	8	7	50	21	1	0,3	35	48	1	0,3
	42	55	72	38,6	9	7	56	25	1	0,6	40	55	1	0,6
	37	52	72	47,2	10	7,5	56	21	1	0,3	35	52	1	0,3
	42	60	82	54,1	12	8,5	64	23,5	1	0,6	40	60	1	0,6
35	47	60	78	39,6	9	7,5	56	23	1	0,6	45	60	1	0,6
	47	65	90	56,2	12	10	64	21	1	0,6	45	65	1	0,6
	47	72	105	78,9	17	12,5	80	23,5	1,1	0,6	45	72	1	0,6
40	52	72	100	64,7	14	11	72	23	1,1	0,6	50	72	1	0,6
	52	80	115	83,2	18	14	90	30	1,5	0,6	50	80	1,5	0,6
45	57	72	95	49,6	10	9	72	32,5	1	0,6	55	72	1	0,6
50	62	85	115	70,7	15	11,5	90	36,5	1,1	0,6	60	85	1	0,6
65	82	110	145	86,1	18	15	112	45,5	1,5	1	80	110	1,5	1
	83	125	175	128,5	27	22	125	30,5	2,1	1	80	125	2	1
70	88	115	155	95,2	19	17,5	112	39	1,5	1	85	115	1,5	1
80	103	155	220	159,9	33	27	160	43,5	3	1,1	100	155	2,5	1



Cylindrical roller bearings



6 Cylindrical roller bearings

Designs and variants	496	Mounting	512
Single row cylindrical roller bearings	496	Designation system	514
Common designs	496	Product tables	
Other designs	497	6.1 Single row cylindrical roller bearings	516
Other variants	497	6.2 High-capacity cylindrical roller bearings	550
High-capacity cylindrical roller bearings	498	6.3 Single row full complement cylindrical roller bearings	554
Bearings with an inner ring centred cage	499	6.4 Double row full complement cylindrical roller bearings	564
Bearings with an outer ring centred cage	499	6.5 Sealed double row full complement cylindrical roller bearings	576
Separable bearings with an inner ring raceway centred cage	499		
Double row bearings	499		
Single row full complement cylindrical roller bearings	500		
NCF design bearings	500		
NJG design bearings	500		
Double row full complement cylindrical roller bearings	500		
NNCL design bearings	501		
NNCF design bearings	501		
NNC design bearings	501		
NNF design sealed bearings	501		
SKF Explorer bearings	502		
Matched bearings	502		
Cages	502		
Bearing data	504		
(Dimension standards, tolerances, radial internal clearance, axial clearance, permissible misalignment, permissible axial displacement)			
Loads	509	Other cylindrical roller bearings	
(Minimum load, equivalent dynamic bearing load, equivalent static bearing load)		Bearings with Solid Oil	1023
Dynamic axial load carrying capacity	510	INSOCOAT bearings	1029
Permissible axial loads	510	Hybrid bearings	1043
		NoWear coated bearings	1059
		Super-precision bearings	→ skf.com/super-precision
Temperature limits	511	Double and four-row cylindrical roller bearings	→ skf.com/bearings
		Split cylindrical roller bearings	→ skf.com/bearings
Permissible speed	511	Backing bearings	→ skf.com/bearings
		Indexing roller units	→ skf.com/bearings
Design considerations	512	Cylindrical roller bearings and bearing units for railway applications	→ contact SKF
Flange support	512		



6 Cylindrical roller bearings

More information

General bearing knowledge	17
Bearing selection process	59
Lubrication	109
Bearing interfaces	139
Seat tolerances for standard conditions	148
Selecting internal clearance	182
Sealing, mounting and dismounting	193

Mounting instructions for individual bearings → skf.com/mount

SKF bearing maintenance handbook ISBN 978-91-978966-4-1

SKF cylindrical roller bearings are available in many designs, series and sizes. The major design differences between the cylindrical roller bearings presented in this catalogue are in:

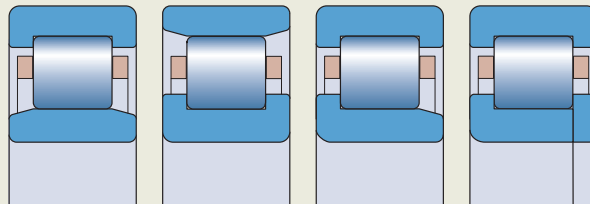
- the number of roller rows (one or two)
- the type of cage (with, without or special designs)
 - Bearings with a cage can accommodate heavy radial loads and peak loads, rapid accelerations and high speeds.
 - Full complement bearings (without cage) incorporate a maximum number of rollers and are therefore suitable for very heavy radial loads at moderate speeds.
 - SKF high-capacity cylindrical roller bearings combine the high load carrying capacity of a full complement bearing with the high speed capability of a bearing with cage.
- the configuration of the inner and outer ring flanges (position and number of guide flanges, [fig. 1](#))

Bearing features

- **High load carrying capacity**
- **High stiffness**
- **Accommodate axial displacement ([fig. 2](#))**
Except for bearings with flanges on both the inner and outer rings.
- **Low friction**
The open flange design ([fig. 3](#)), together with the roller end design and surface finish, promote lubricant film formation resulting in lower friction and higher axial load carrying capacity.
- **Long service life**
The logarithmic roller profile reduces edge stresses at the roller/raceway contact ([fig. 4](#)) and sensitivity to misalignment and shaft deflection.

Fig. 1

Configuration examples guide flanges



• **Enhanced operational reliability**

The surface finish on the contact surfaces of the rollers and raceways supports the formation of a hydrodynamic lubricant film.

• **Separable and interchangeable**

The separable components of SKF cylindrical roller bearings are interchangeable (fig. 5). This facilitates mounting and dismounting, as well as maintenance inspections.

In addition to the cylindrical roller bearings presented in this catalogue, SKF supplies cylindrical roller bearings for special application requirements. This assortment includes:

- *Double row cylindrical roller bearings* → skf.com/bearings
- *Four-row cylindrical roller bearings* → skf.com/bearings
- *Split cylindrical roller bearings* → skf.com/bearings
- *Super-precision bearings* → skf.com/super-precision
- *Backing bearings* → skf.com/bearings
- *Indexing roller units* → skf.com/bearings
- *Cylindrical roller bearings and bearing units for railway applications* → contact SKF

Fig. 2

Axial displacement

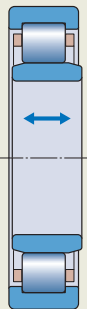


Fig. 4

Load distribution for the logarithmic roller profile

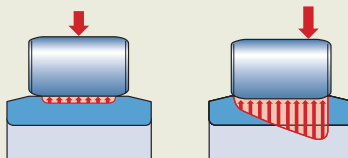


Fig. 3

Open flange design

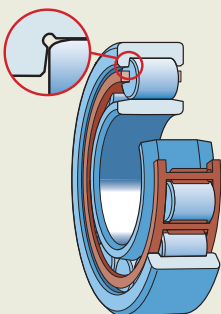
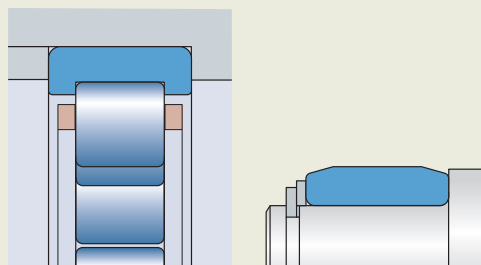


Fig. 5

Interchangeable components



Designs and variants

Single row cylindrical roller bearings

The major design differences between the single row cylindrical roller bearings presented in this catalogue are in:

- the cage design and material
- the configuration of the inner and outer ring flanges

SKF inch bearings (CRL and CRM series, skf.com/go/17000-6-1), which are not presented in this catalogue, conform to the metric N design (fig. 6). They are mainly used in the aftermarket and, therefore, SKF recommends not to use these bearings for new bearing arrangement designs.

Common designs

The most common designs of single row cylindrical roller bearings are shown in fig. 6.

NU design bearings

- have two integral flanges on the outer ring and no flanges on the inner ring
- can accommodate axial displacement of the shaft relative to the housing in both directions
- can be used together with an appropriate angle ring to stabilize the bearing in the axial direction (fig. 7, *Appropriate angle rings*)

N design bearings

- have two integral flanges on the inner ring and no flanges on the outer ring
- can accommodate axial displacement of the shaft relative to the housing in both directions

NJ design bearings

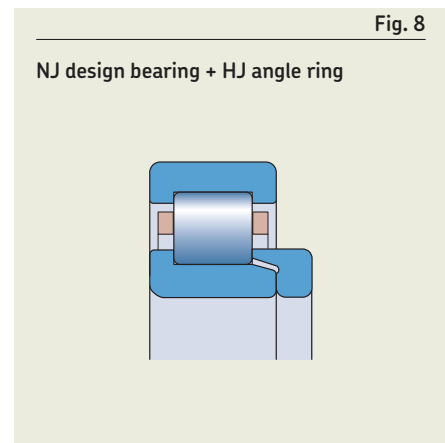
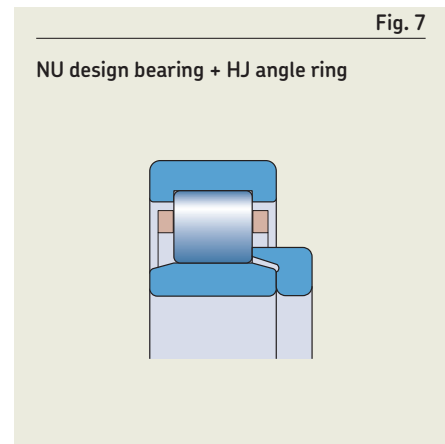
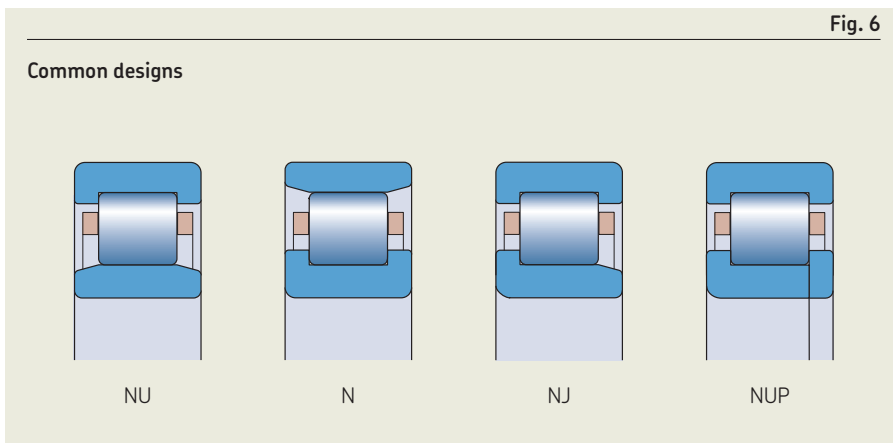
- have two integral flanges on the outer ring and one on the inner ring
- can accommodate axial displacement of the shaft relative to the housing in one direction only
- are used to locate the shaft axially in one direction
- can be used together with an appropriate angle ring to stabilize the bearing in the other axial direction (fig. 8, *Appropriate angle rings*)

NUP design bearings

- have two integral flanges on the outer ring and one integral flange and one non-integral flange, i.e. a loose flange ring, on the inner ring
- are used to locate the shaft axially in both directions

Appropriate angle rings (thrust collars)

- are used with NU design bearings to locate the shaft axially in one direction (fig. 7)
 - Angle rings should not be used on both sides of NU design bearings as this can lead to axial clamping of the rollers.
- are used with NJ design bearings to locate the shaft axially in both directions (fig. 8)
- are made of carbon chromium steel
- are hardened and ground
- have a maximum axial run-out that is in accordance with the Normal tolerance class for the appropriate bearing
- are identified by the series designation HJ followed by the appropriate bearing dimension series and size
- are available as listed in the [product table, page 517](#)
- must be ordered separately



Reasons to design angle rings into a bearing arrangement include:

- no NJ or NUP design locating bearings in the product range
- to provide an extend inner ring seat for heavily loaded bearings in the locating position:
 - full width inner ring seat of NJ design bearings with an HJ angle ring compared to NUP design bearings having a shorter inner ring and a loose flange
- to simplify design or mounting procedures

Other designs

For the assortment of other design bearings (fig. 9), visit skf.com/go/17000-6-1.

NUB design bearings

- have two integral flanges on the outer ring and no flanges on the inner ring that is extended on both sides
- can accommodate axial displacement of the shaft relative to the housing in both directions

NJP design bearings

- have two integral flanges on the outer ring and one non-integral flange, i.e. a loose flange ring, on the inner ring
- are used to locate the shaft axially in one direction

NF design bearings

- have two integral flanges on the inner ring and one integral flange on the outer ring
- are used to locate the shaft axially in one direction

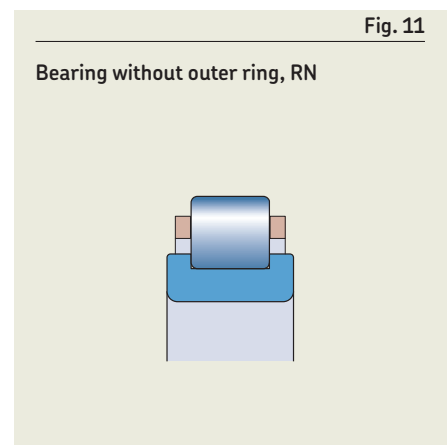
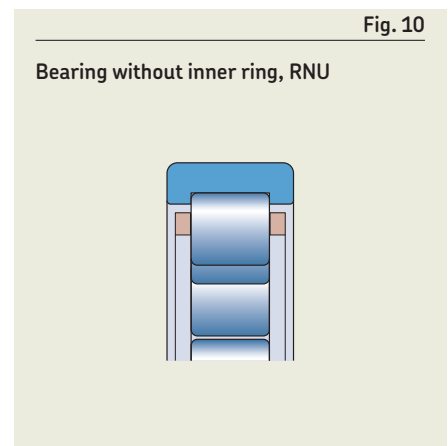
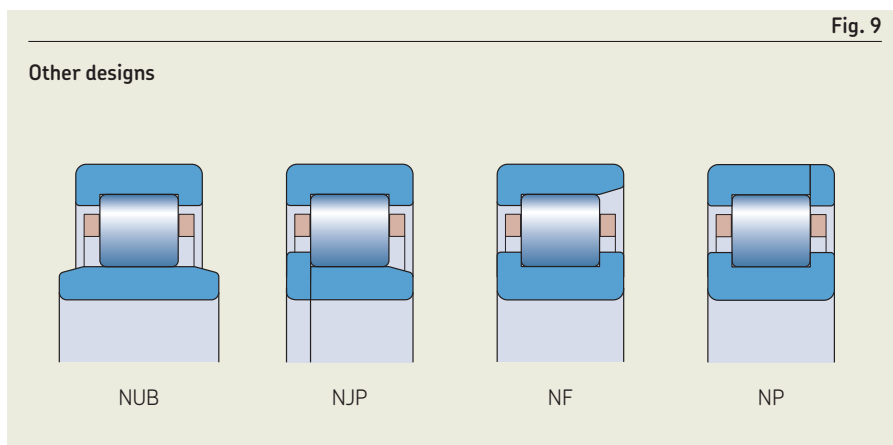
NP design bearings

- have two integral flanges on the inner ring and one integral flange and one non-integral flange, i.e. a loose flange ring, on the outer ring
- are used to locate the shaft axially in both directions

Other variants

Bearings without an inner or outer ring

- are available based on:
 - NU design bearings without an inner ring (RNU series, fig. 10)
 - enable the shaft diameter to be larger to provide a stronger, stiffer shaft
 - provide inside diameter F_w tolerance limits to be within F6 \oplus when the rollers are in contact with the outer ring raceway
 - are listed online for certain sizes (skf.com/go/17000-6-6)
 - N design bearings without an outer ring (RN series, fig. 11)
- can accommodate axial displacement of the shaft relative to the housing, limited by the width of the raceway:
 - on the shaft for RNU bearings
 - in the housing for RN bearings
- are typically used in applications where hardened and ground raceways can be machined on the shaft or in the housing (*Raceways on shafts and in housings*, page 179)



6 Cylindrical roller bearings

Bearings with a tapered bore

- are available with a 1:12 tapered bore (designation suffix K, [fig. 12](#))
- have radial internal clearance greater than corresponding bearings with a cylindrical bore

Bearings with a snap ring groove in the outer ring

- are identified by the designation suffix N ([fig. 13](#))
- can be axially located in the housing by a snap ring:
 - to save space
 - to reduce mounting time

Bearings with locating slots in the outer ring

- are available with one or two locating slots (designation suffix N1 or N2, [fig. 14](#))
 - The two locating slots are positioned 180° apart.
- can be used to prevent the outer ring from turning where it must be mounted with a loose fit

High-capacity cylindrical roller bearings

SKF high-capacity cylindrical roller bearings ([fig. 15](#)) are designed for applications such as industrial gearboxes, wind turbine gearboxes and mining equipment.

The cage bars are displaced relative to the roller pitch diameter to enable the rollers to be placed closer to each other, creating room for additional rollers ([fig. 16](#)) and thereby increasing load carrying capacity and radial stiffness.

The black oxide coating of rings and rollers (designation suffix L4B) contributes to extended service life by improving:

- smearing damage resistance
- running-in properties and reducing friction
- performance under poor lubrication conditions
- chemical resistance (from aggressive oil additives)
- corrosion resistance

SKF high-capacity cylindrical roller bearings are available in three different main designs and some variants.

6

Fig. 12

Bearing with a tapered bore

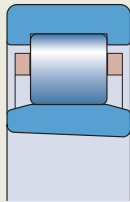


Fig. 14

Bearing with locating slot(s)

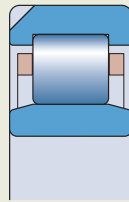


Fig. 15

High-capacity bearing

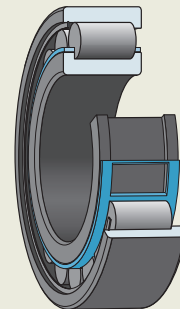


Fig. 13

Bearing with a snap ring groove

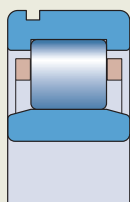
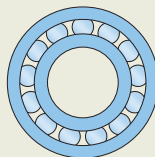
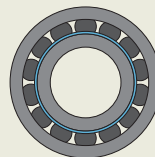


Fig. 16

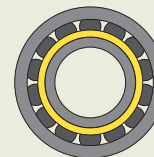
Roller distances



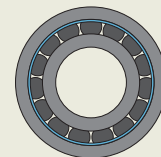
Roller distance of a standard bearing with cage (cage not shown)



High-capacity bearing with inner ring centred cage



Separable high-capacity bearing with inner ring raceway centred cage



High-capacity bearing with outer ring centred cage

Bearings with an inner ring centred cage

- are identified by the series designation NCF .. ECJB (fig. 17)
- are used to locate the shaft axially in one direction and eventually to accommodate axial displacement of the shaft relative to the housing in the opposite direction
- can be supplied without an outer ring (RN .. ECJB series, fig. 17), where the outer raceway is integrated into the application (*Raceways on shafts and in housings*, page 179)

Bearings with an outer ring centred cage

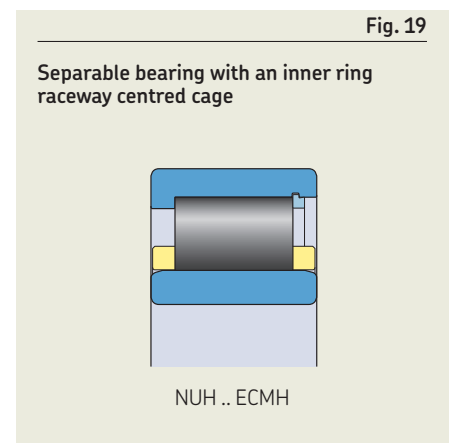
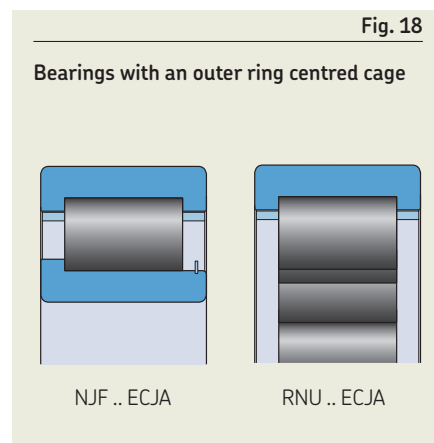
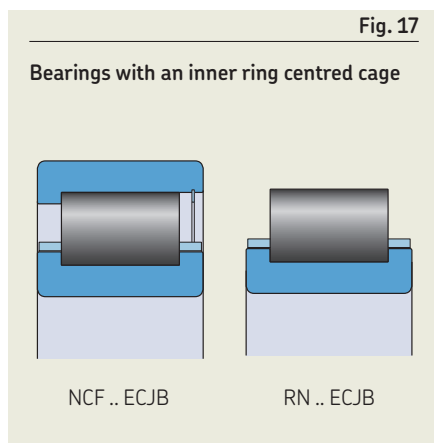
- are identified by the series designation NJF .. ECJA (fig. 18)
- for some sizes, contain more rollers than same-sized bearings with an inner ring centred cage
- are used to locate the shaft axially in one direction and eventually to accommodate axial displacement of the shaft relative to the housing in the opposite direction
- can be supplied without an inner ring (RNU .. ECJA series, fig. 18), where the inner raceway is integrated into the application (*Raceways on shafts and in housings*, page 179)

Separable bearings with an inner ring raceway centred cage

- are identified by the series designation NUH .. ECMH (fig. 19)
- can accommodate axial displacement of the shaft relative to the housing in both directions
- can be separated (outer ring with the roller and cage assembly from the inner ring), which simplifies mounting and dismounting, particularly where load conditions require both rings to have an interference fit

Double row bearings

- are available on request



Single row full complement cylindrical roller bearings

SKF single row full complement cylindrical roller bearings are suitable for very heavy radial loads and provide increased radial stiffness.

The basic SKF assortment of single row full complement cylindrical roller bearings provided in this catalogue includes NCF and NJG design bearings (fig. 20). They are used to locate the shaft axially in one direction and eventually to accommodate axial displacement of the shaft relative to the housing in the opposite direction.

NCF design bearings

- have two integral flanges on the inner ring and one on the outer ring
 - have a retaining ring in the outer ring, on the side opposite the integral flange, to hold the bearing together
- The retaining ring should not be loaded axially during operation.

NJG design bearings

- comprise the heavy 23 dimension series
 - are intended for very heavily loaded, low-speed applications
 - have two integral flanges on the outer ring and one on the inner ring
 - have a self-retaining roller complement
- Therefore, the outer ring with the roller complement can be separated from the inner ring without having to take special precautions to prevent the rollers from falling out (fig. 21). This simplifies mounting and dismounting.

Double row full complement cylindrical roller bearings

SKF double row full complement cylindrical roller bearings are, because of their second row of rollers, suitable for very heavy radial loads and provide increased radial stiffness.

The basic SKF assortment provided in this catalogue includes (fig. 22):

- three different designs of open bearings:
 - NNCL design
 - NNCF design
 - NNC design
- NNF design sealed bearings

SKF double row full complement cylindrical roller bearings are non-separable and have an annular groove and lubrication holes in the outer ring to facilitate lubrication. NNF design bearings have additional lubrication holes in the inner ring.



Fig. 20

Single row full complement bearings

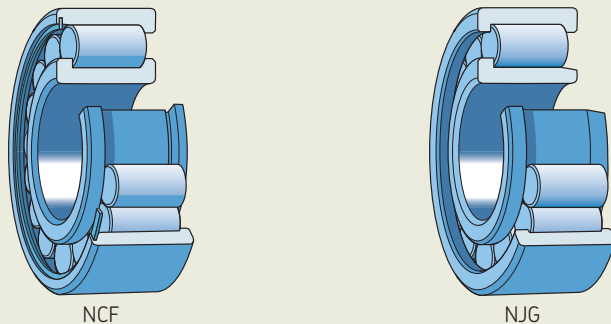


Fig. 21

Self-retaining roller complement

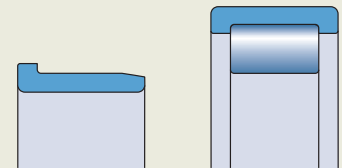
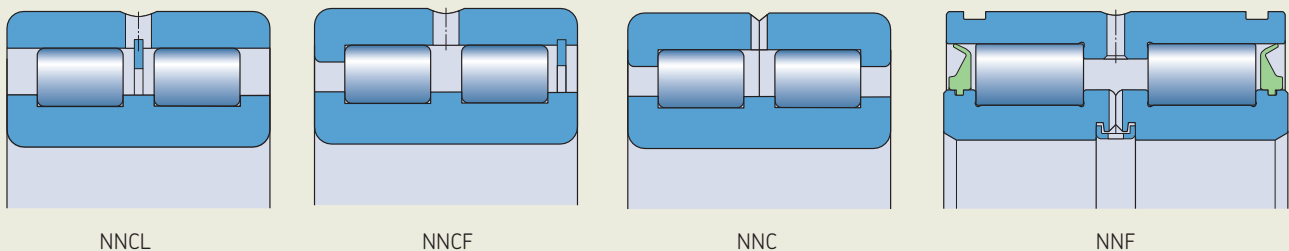


Fig. 22

Double row full complement bearings



NNCL design bearings

- have three integral flanges on the inner ring and no flanges on the outer ring
- have a retaining ring in the outer ring between the roller rows to hold the bearing together

The retaining ring should not be loaded axially during operation.
- can accommodate axial displacement of the shaft relative to the housing in both directions

NNCF design bearings

- have three integral flanges on the inner ring and one on the outer ring
- have a retaining ring in the outer ring, on the side opposite the integral flange, to hold the bearing together

The retaining ring should not be loaded axially during operation.
- are used to locate the shaft axially in one direction and eventually to accommodate axial displacement of the shaft relative to the housing in the opposite direction

NNC design bearings

- have the same inner ring as NNCL and NNCF design bearings
- have a two-piece outer ring:
 - held together by retaining elements, which should never be loaded axially
 - consisting of two identical outer ring parts with one integral flange on each
- are used to locate the shaft axially in both directions

Alternative NNC design bearings may consist of a one-piece outer ring with one integral flange and a flange ring.

NNF design sealed bearings

- comprise the 50 and 3194.. series
- have a two-piece inner ring:
 - held together by a retaining ring
 - with three integral flanges
- have one integral central flange on the outer ring
- are used to locate the shaft axially in both directions
- can accommodate tilting moments because of the distance between the two rows of rollers
- have an outer ring that is 1 mm narrower than the inner ring
- do not require spacer rings between the inner ring and adjacent components, in applications with a rotating outer ring
- have two snap ring grooves in the outer ring:
 - to simplify mounting
 - to save space axially

This is especially valuable where the bearing is mounted in/on an adjacent component, e.g. in rope sheaves (fig. 23).
- have a PUR contact seal on both sides, fitted in a recess on the inner ring shoulder (fig. 22)

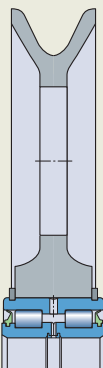
The seal lip exerts slight pressure against the outer ring raceway.
- are filled with a high-quality grease with good rust-inhibiting properties (table 1, page 503)

For additional information about greases, refer to *Lubrication*, page 109.
- can be supplied open and without grease, for applications where oil lubrication is to be used

If a small quantity of bearings without seals is required, the seals can be removed and the bearings can be washed prior to mounting.

Fig. 23

NNF design sealed bearing in a rope sheave



SKF Explorer bearings

Single row and high-capacity bearings are also available as SKF Explorer bearings (page 7).

Matched bearings

- are combined so that any difference in cross-sectional height of the bearings used in a matched set lies within a very small tolerance range
 This tighter tolerance is a precondition for equal load sharing between the bearings.
- can be supplied as:
 - sets of two bearings (designation suffix DR)
 - sets of three bearings (designation suffix TR)
 - sets of four bearings (designation suffix QR)

Cages

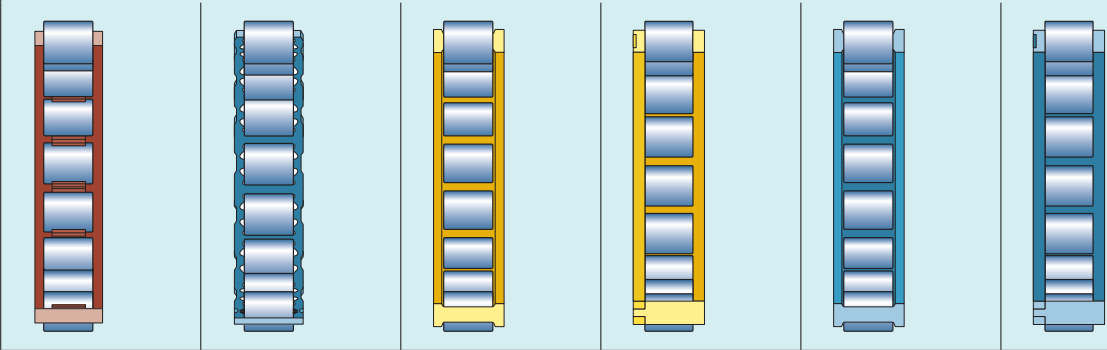
SKF single row and high-capacity cylindrical roller bearings are fitted with one of the cages shown in table 2.

When used at high temperatures, some lubricants can have a detrimental effect on polyamide cages. For additional information about the suitability of cages, refer to *Cages*, page 187.



Cages for cylindrical roller bearings

Single row bearings



Cage type	Window-type <ul style="list-style-type: none"> • roller centred • outer ring centred 	Window-type, roller centred	Window-type, inner or outer ring centred (depending on bearing design)	Riveted <ul style="list-style-type: none"> • roller centred • outer ring centred • inner ring centred 	Window-type, inner or outer ring centred (depending on bearing design)	Riveted <ul style="list-style-type: none"> • roller centred • outer ring centred • inner ring centred
Material	<ul style="list-style-type: none"> • PA66, glass fibre reinforced • PEEK, glass fibre reinforced 	Stamped steel	Machined brass	Machined brass	Machined light alloy	Machined light alloy
Suffix	<ul style="list-style-type: none"> • P or PH • PA or PHA 	<ul style="list-style-type: none"> • – • J 	<ul style="list-style-type: none"> • ML 	<ul style="list-style-type: none"> • M • MA • MB 	<ul style="list-style-type: none"> • LL 	<ul style="list-style-type: none"> • L • LA • LB

Table 1

Technical specifications of SKF standard grease for sealed double row full complement cylindrical roller bearings

Grease	Temperature range ¹⁾								Thickener	Base oil type	NLGI grade	Base oil viscosity	
	-50	0	50	100	150	200	250	°C				[mm ² /s] at 40 °C (105 °F)	at 100 °C (210 °F)
GHU									Lithium complex soap	Mineral	2	150	15

¹⁾ Refer to the SKF traffic light concept (page 117).

Table 2

High-capacity bearings

Window-type, inner ring centred	Window-type, outer ring centred	Window-type, inner ring raceway centred
Sheet steel, manganese phosphated	Sheet steel, manganese phosphated	Machined brass
JB	JA	MH

Bearing data

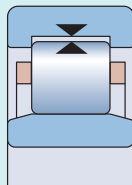
	Single row bearings	High-capacity bearings
Dimension standards	Boundary dimensions: ISO 15 Except for: <ul style="list-style-type: none"> • HJ angle rings: ISO 246 • Snap rings and grooves: ISO 464 • Locating slots: ISO 20515 	Boundary dimensions: ISO 15
Tolerances For additional information → page 35	Normal dimensional tolerance P6 geometrical tolerance Check availability of P5 or P6 tolerance class for bearings in the 10 series Values: ISO 492 (table 2, page 38 , to table 4, page 40)	Normal dimensional tolerance P6 geometrical tolerance
Radial internal clearance For additional information → page 182	Normal, C3 Check availability of other clearance classes Values: ISO 5753-1 (table 3, page 506) Values are valid for unmounted bearings under zero measuring load.	
Axial internal clearance	Guideline values: <ul style="list-style-type: none"> • NUP design (table 4, page 507) • NJ design with an HJ angle ring (table 5, page 508) When measuring the axial internal clearance, the rollers may tilt, causing an enlargement of the measured axial clearance: <ul style="list-style-type: none"> • 10, 18, 19, 2, 3 and 4 series: ≈ the radial internal clearance • 22, 23, 29 and 39 series: ≈ 2/3 the radial internal clearance 	–
Permissible misalignment	<ul style="list-style-type: none"> • 10, 12, 18, 19, 2, 3 and 4 series: ≈ 4 minutes of arc • 20, 22, 23, 29 and 39 series: ≈ 3 minutes of arc The values are not valid for bearings of the NUP design or the NJ design with an HJ angle ring. Misalignment increases bearing noise and reduces bearing service life, and ...	≈ 3 minutes of arc
Permissible axial displacement (fig. 2, page 495)	s_{\max} → product tables, page 516	page 550 Bearings having no flange, or only one integral flange on either the inner or outer ring, can accommodate axial displacement. Displacement of the shaft ...



Single row full complement bearings	Double row full complement bearings
Boundary dimensions: ISO 15	Boundary dimensions: ISO 15 Except for: <ul style="list-style-type: none"> • outer ring width of NNF 50 series bearings: C = 1 mm smaller than ISO standard • bearings in the 3194.. series: dimensions not standardized
Normal	
<div style="display: flex; justify-content: space-between; align-items: center; padding: 10px;"> <div data-bbox="129 1355 564 1513"> <ul style="list-style-type: none"> • 18 series: ≈ 4 minutes of arc • 22, 23, 28, 29 and 30 series: ≈ 3 minutes of arc <p>... when it exceeds the guideline values these effects become particularly noticeable.</p> </div> <div data-bbox="564 1355 1007 1513" style="border-left: 1px solid black; padding-left: 10px;"> <p>For information, contact the SKF application engineering service.</p> </div> </div>	
page 554	page 564
<p>... relative to the housing occurs within these bearings. As a result, there is virtually no increase in friction.</p>	



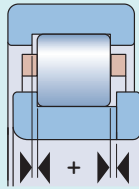
Radial internal clearance of cylindrical roller bearings with a cylindrical bore



Bore diameter d		Radial internal clearance									
>	≤	C2		Normal		C3		C4		C5	
		min.	max.	min.	max.	min.	max.	min.	max.	min.	max.
mm		μm									
–	24	0	25	20	45	35	60	50	75	65	90
24	30	0	25	20	45	35	60	50	75	70	95
30	40	5	30	25	50	45	70	60	85	80	105
40	50	5	35	30	60	50	80	70	100	95	125
50	65	10	40	40	70	60	90	80	110	110	140
65	80	10	45	40	75	65	100	90	125	130	165
80	100	15	50	50	85	75	110	105	140	155	190
100	120	15	55	50	90	85	125	125	165	180	220
120	140	15	60	60	105	100	145	145	190	200	245
140	160	20	70	70	120	115	165	165	215	225	275
160	180	25	75	75	125	120	170	170	220	250	300
180	200	35	90	90	145	140	195	195	250	275	330
200	225	45	105	105	165	160	220	220	280	305	365
225	250	45	110	110	175	170	235	235	300	330	395
250	280	55	125	125	195	190	260	260	330	370	440
280	315	55	130	130	205	200	275	275	350	410	485
315	355	65	145	145	225	225	305	305	385	455	535
355	400	100	190	190	280	280	370	370	460	510	600
400	450	110	210	210	310	310	410	410	510	565	665
450	500	110	220	220	330	330	440	440	550	625	735
500	560	120	240	240	360	360	480	480	600	690	810
560	630	140	260	260	380	380	500	500	620	780	900
630	710	145	285	285	425	425	565	565	705	865	1005
710	800	150	310	310	470	470	630	630	790	975	1135
800	900	180	350	350	520	520	690	690	860	1095	1265
900	1000	200	390	390	580	580	770	770	960	1215	1405
1000	1120	220	430	430	640	640	850	850	1060	1355	1565
1120	1250	230	470	470	710	710	950	950	1190	1510	1750
1250	1400	270	530	530	790	790	1050	1050	1310	1680	1940
1400	1600	330	610	610	890	890	1170	1170	1450	1920	2200
1600	1800	380	700	700	1020	1020	1340	1340	1660	2160	2480
1800	2000	400	760	760	1120	1120	1480	1480	1840	2390	2760

Table 4

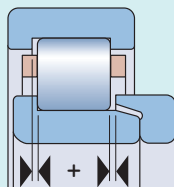
Axial internal clearance of NUP cylindrical roller bearings



Bearing Bore diameter	Size code	Axial internal clearance of bearings in the series							
		NUP 2		NUP 3		NUP 22		NUP 23	
		min.	max.	min.	max.	min.	max.	min.	max.
mm	–	µm							
17	03	37	140	37	140	37	140	47	155
20	04	37	140	37	140	47	155	47	155
25	05	37	140	47	155	47	155	47	155
30	06	37	140	47	155	47	155	47	155
35	07	47	155	47	155	47	155	62	180
40	08	47	155	47	155	47	155	62	180
45	09	47	155	47	155	47	155	62	180
50	10	47	155	47	155	47	155	62	180
55	11	47	155	62	180	47	155	62	180
60	12	47	155	62	180	62	180	87	230
65	13	47	155	62	180	62	180	87	230
70	14	47	155	62	180	62	180	87	230
75	15	47	155	62	180	62	180	87	230
80	16	47	155	62	180	62	180	87	230
85	17	62	180	62	180	62	180	87	230
90	18	62	180	62	180	62	180	87	230
95	19	62	180	62	180	62	180	87	230
100	20	62	180	87	230	87	230	120	315
105	21	62	180	–	–	–	–	–	–
110	22	62	180	87	230	87	230	120	315
120	24	62	180	87	230	87	230	120	315
130	26	62	180	87	230	87	230	120	315
140	28	62	180	87	230	87	230	120	315
150	30	62	180	–	–	87	230	120	315
160	32	87	230	–	–	–	–	–	–
170	34	87	230	–	–	–	–	–	–
180	36	87	230	–	–	–	–	–	–
190	38	87	230	–	–	–	–	–	–
200	40	87	230	–	–	–	–	–	–
220	44	95	230	–	–	–	–	–	–
240	48	95	250	–	–	–	–	–	–
260	52	95	250	–	–	–	–	–	–



Axial internal clearance of NJ + HJ cylindrical roller bearings



Bearing Bore diameter	Size code	Axial internal clearance of bearings in the series									
		NJ 2 + HJ 2		NJ 3 + HJ 3		NJ 4 + HJ 4		NJ 22 + HJ 22		NJ 23 + HJ 23	
		min.	max.	min.	max.	min.	max.	min.	max.	min.	max.
mm	–	μm									
20	04	42	165	42	165	–	–	52	185	52	183
25	05	42	165	52	185	–	–	52	185	52	183
30	06	42	165	52	185	60	200	52	185	52	183
35	07	52	185	52	185	60	200	52	185	72	215
40	08	52	185	52	185	60	200	52	185	72	215
45	09	52	185	52	185	60	200	52	185	72	215
50	10	52	185	52	185	80	235	52	185	72	215
55	11	52	185	72	215	80	235	52	185	72	215
60	12	52	185	72	215	80	235	72	215	102	275
65	13	52	185	72	215	80	235	72	215	102	275
70	14	52	185	72	215	80	235	72	215	102	275
75	15	52	185	72	215	80	235	72	215	102	275
80	16	52	185	72	215	80	235	72	215	102	275
85	17	72	215	72	215	110	290	72	215	102	275
90	18	72	215	72	215	110	290	72	215	102	275
95	19	72	215	72	215	110	290	72	215	102	275
100	20	72	215	102	275	110	290	102	275	140	375
105	21	72	215	102	275	110	290	102	275	140	375
110	22	72	215	102	275	110	290	102	275	140	375
120	24	72	215	102	275	110	310	102	275	140	375
130	26	72	215	102	275	110	310	102	275	140	375
140	28	72	215	102	275	140	385	102	275	140	375
150	30	72	215	102	275	140	385	102	275	140	375
160	32	102	275	102	275	–	–	140	375	140	375
170	34	102	275	–	–	–	–	140	375	–	–
180	36	102	275	–	–	–	–	140	375	–	–
190	38	102	275	–	–	–	–	–	–	–	–
200	40	102	275	–	–	–	–	–	–	–	–
220	44	110	290	–	–	–	–	–	–	–	–
240	48	110	310	–	–	–	–	–	–	–	–
260	52	110	310	–	–	–	–	–	–	–	–
280	56	110	310	–	–	–	–	–	–	–	–

Loads

	Single row, high-capacity and single row full complement bearings	Double row full complement bearings	
<p>Minimum load</p> <p>For additional information → page 106</p>	$F_{rm} = k_r \left(6 + \frac{4 n}{n_r} \right) \left(\frac{d_m}{100} \right)^2$		<p>Symbols</p> <p>d_m bearing mean diameter [mm] = 0,5 (d + D)</p> <p>e limiting value = 0,2 for bearings in the 10, 18, 19, 2, 3 and 4 series = 0,3 for bearings in the 12, 20, 22, 23, 28, 29, 30 and 39 series</p> <p>F_a axial load [kN] F_r radial load [kN] F_{rm} minimum radial load [kN] k_r minimum load factor (product tables, page 516)</p> <p>n rotational speed [r/min] n_r reference speed [r/min] (product tables) For sealed double row full complement bearings with seals removed and oil lubrication → 1,3 times the limiting speed</p> <p>P equivalent dynamic bearing load [kN] P_0 equivalent static bearing load [kN] Y axial load factor = 0,6 for bearings in the 10, 18, 19, 2, 3 and 4 series = 0,4 for bearings in the 12, 20, 22, 23, 28, 29, 30 and 39 series</p>
<p>Equivalent dynamic bearing load</p> <p>For additional information → page 91</p>	<p>Non-locating bearings $P = F_r$</p> <p>Locating bearings $F_a/F_r \leq e \rightarrow P = F_r$ $F_a/F_r > e \rightarrow P = 0,92 F_r + Y F_a$ F_a must not exceed 0,5 F_r.</p>	<p>$F_a/F_r \leq 0,15 \rightarrow P = F_r$ $F_a/F_r > 0,15 \rightarrow P = 0,92 F_r + 0,4 F_a$ F_a must not exceed 0,25 F_r.</p>	
<p>Equivalent static bearing load</p> <p>For additional information → page 105</p>	$P_0 = F_r$		



Dynamic axial load carrying capacity

Cylindrical roller bearings with flanges on both the inner and outer rings can support, in addition to radial loads, axial loads up to:

- $F_a \leq 0,25 F_r$ for double row full complement bearings
- $F_a \leq 0,5 F_r$ for other design bearings

The axial load carrying capacity is determined by the lubrication condition, operating temperature and heat dissipation at the roller end / flange contact.

The formulae below are valid for normal operating conditions:

- $\Delta T \approx 60 \text{ }^\circ\text{C}$ between the bearing operating and ambient temperature
- specific heat loss $\approx 0,5 \text{ mW/mm}^2$
- viscosity ratio $\kappa \geq 2$
- misalignment ≤ 1 minute of arc

For misalignment > 1 minute of arc, contact the SKF application engineering service.

Permissible axial loads

Conditions	Mechanical limitations	Thermal limitations	Symbols
Continuous	<p>Bearings in the 2.. series $F_{ap \max} \leq 0,0045 D^{1,5}$</p> <p>Bearings in other series $F_{ap \max} \leq 0,0023 D^{1,7}$</p> <p>High-capacity bearings $F_{ap \max} \leq 0,0035 D^{1,7}$</p>	<p>Circulating oil lubrication</p> $F_{ap \text{ oil}} = F_{ap} + \frac{15 \times 10^4 k_1 \Delta T_s V_s}{n (d + D)}$ <p>Other lubrication</p> <ul style="list-style-type: none"> • Reference surface $A \leq 50\,000 \text{ mm}^2$ $F_{ap} = \frac{k_1 C_0 10^4}{n (d + D)} - k_2 F_r$ <ul style="list-style-type: none"> • Reference surface $A > 50\,000 \text{ mm}^2$ $F_{ap} = \frac{7,5 k_1 C_0^{2/3} 10^4}{n (d + D)} - k_2 F_r$	<p>Symbols</p> <p>A reference surface [mm²] $= \pi B (D + d)$</p> <p>B bearing width [mm]</p> <p>C_0 basic static load rating [kN] (product tables, page 516)</p> <p>d bearing bore diameter [mm]</p> <p>D bearing outside diameter [mm]</p> <p>ΔT_s temperature difference between incoming and outgoing oil flow [°C]</p> <p>F_a axial load [kN]</p> <p>F_{ap} permissible axial load [kN]</p> <p>$F_{ap \text{ brief}}$ maximal axial load for brief periods [kN]</p> <p>$F_{ap \text{ max}}$ maximal constantly acting axial load [kN]</p> <p>$F_{ap \text{ oil}}$ maximum permissible axial load in circulating oil applications [kN]</p> <p>$F_{ap \text{ peak}}$ maximal occasional axial peak load [kN]</p> <p>F_r radial load [kN]</p> <p>k_1, k_2 lubrication factors (table 6)</p> <p>n rotational speed [r/min]</p> <p>V_s amount of oil flow [l/min]</p>
Brief periods	<p>$F_{ap \text{ brief}} \leq 2 (F_{ap}, F_{ap \text{ oil}}, F_{ap \text{ max}})$</p> <ul style="list-style-type: none"> • provided it does not increase the bearing operating temperature $> 5 \text{ }^\circ\text{C}$ temporarily • “brief period” is the approximate time for 1 000 revolutions to take place 		
Occasional peak loads	<p>High-capacity bearings $F_{ap \text{ peak}} \leq 0,0085 D^{1,7}$</p> <p>Other bearings $F_{ap \text{ peak}} \leq 3 (F_{ap}, F_{ap \text{ oil}}, F_{ap \text{ max}})$</p>		

Temperature limits

The permissible operating temperature for cylindrical roller bearings can be limited by:

- the dimensional stability of the bearing rings and rollers
- the cage
- the seals
- the lubricant

Where temperatures outside the permissible range are expected, contact SKF.

Bearing rings and rollers

SKF cylindrical roller bearings are heat stabilized up to 150 °C (300 °F).

Cages

Steel, brass, light alloy or PEEK cages can be used at the same operating temperatures as the bearing rings and rollers. For temperature limits of cages made of other polymer materials, refer to *Polymer cages*, [page 188](#).

Seals

The permissible operating temperature for PUR seals is -20 to +80 °C (-5 to +175 °F).

Typically, temperature peaks are at the seal lip.

Lubricants

Temperature limits for greases used in sealed double row full complement cylindrical roller bearings are provided in [table 1](#), [page 503](#). For temperature limits of other SKF greases, refer to *Selecting a suitable SKF grease*, [page 116](#).

When using lubricants not supplied by SKF, temperature limits should be evaluated according to the SKF traffic light concept ([page 117](#)).

Permissible speed

The speed ratings in the [product tables](#) indicate:

- the **reference speed**, which enables a quick assessment of the speed capabilities from a thermal frame of reference
- the **limiting speed**, which is a mechanical limit that should not be exceeded unless the bearing design and the application are adapted for higher speeds

For additional information, refer to *Operating temperature and speed*, [page 130](#).

SKF recommends oil lubrication for bearings with a ring centred cage. When these bearings are grease lubricated, the nd_m value is limited:

- for bearings with an LA, LB, LL, MA, MB, ML, MP, JA, JB or MH cage
→ $nd_m \leq 250\,000$ mm/min
- for bearings with a PA or PHA cage
→ $nd_m \leq 450\,000$ mm/min

where

$$d_m = \text{bearing mean diameter [mm]} \\ = 0,5 (d + D)$$

$$n = \text{rotational speed [r/min]}$$

For single row bearings with a standard cage, the values for the limiting speed are listed in the product tables. Conversion factors to estimate the limiting speed for bearings with an alternative standard cage are listed in [table 7](#).

Table 7

Conversion factors for limiting speeds of single row cylindrical roller bearings

Bearing with standard cage	alternative standard cage		
	P, PH, J, M, MR	PA, PHA, MA, MB	ML
P, PH, J, M, MR	1	1,3	1,5
PA, PHA, MA, MB	0,75	1	1,2
ML	0,65	0,85	1

Table 6

Lubrication factors for cylindrical roller bearings

Bearing types	Lubrication factors			
	Oil lubrication		Grease lubrication	
	k_1	k_2	k_1	k_2
Single row and high-capacity bearings	1,5	0,15	1	0,1
Single row full complement bearings	1	0,3	0,5	0,15
Double row full complement bearings	0,35	0,1	0,2	0,06



Design considerations

Flange support

Where cylindrical roller bearings are subjected to axial loads, total axial run-out (*Tolerances for bearing seats and abutments*, page 144) and the size of the abutment surfaces of adjacent components are particularly important for an even load distribution on the flange.

The inner ring flange should only be supported up to half of its height (fig. 24) so that it is not subjected to damaging alternating stresses that can result, for example, from shaft deflection.

For single row bearings and high-capacity bearings the recommended shaft abutment diameter can be obtained using

$$d_{as} = 0,5 (d_1 + F)$$

where

d_{as} = shaft abutment diameter for axially loaded bearings [mm]

d_1 = inner ring flange diameter [mm]
(product tables, page 516)

F = inner ring raceway diameter [mm]
(product tables)

For full complement bearings, the recommended shaft abutment diameter d_{as} is listed in the product tables.

Mounting

Because of the design and position of the cage of high-capacity cylindrical roller bearings in the NCF .. ECJB and NJF .. ECJA series, the cage cannot prevent the rollers from falling out when the inner and outer rings of the bearing are separated. SKF recommends mounting these high-capacity cylindrical roller bearings as a complete bearing, like full complement cylindrical roller bearings.

Where it is necessary to mount the inner and outer rings separately, use a mounting sleeve (fig. 25) or a retaining strap (fig. 26) to keep the rollers in place.

6



Fig. 24

Flange support

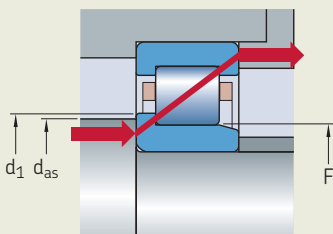


Fig. 25

Mounting sleeve

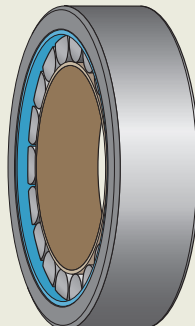
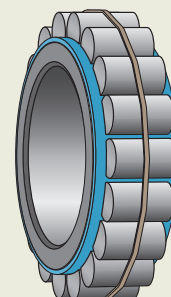


Fig. 26

Retaining strap





Designation system



Prefixes

- L Separate inner or outer ring of a separable bearing
- R Inner or outer ring with roller and cage assembly of a separable bearing

Basic designation

Listed in [table 4, page 30](#)

- CRL Inch bearing
- CRM Inch bearing
- HJ Angle ring

Suffixes

Group 1: Internal design

- A Deviating or modified internal design
- CV Modified internal design, full complement roller set
- EC Optimized internal design incorporating more and/or larger rollers and with modified roller end / flange contact

Group 2: External design (seals, snap ring groove, etc.)

- ADB Modified internal design and seal (for NNF 50 series)
- B Improved seal and grease
- DA Modified internal design and seal (for 3194.. series)
- K Tapered bore, taper 1:12
- N Snap ring groove in the outer ring
- NR Snap ring groove in the outer ring, with associated snap ring
- N1 One locating slot (notch) in one outer ring side face
- N2 Two locating slots (notches) in one outer ring side face, 180° apart
- 2LS Contact seal, PUR, on both sides

Group 3: Cage design

- FR Pin-type steel cage, pierced rollers
- J Stamped steel cage, roller centred
- JA Sheet steel cage, outer ring centred
- JB Sheet steel cage, inner ring centred
- L Machined light alloy cage, riveted, roller centred
- LA Machined light alloy cage, outer ring centred
- LB Machined light alloy cage, inner ring centred
- LL Machined light alloy cage, window-type, inner or outer ring centred (depending on bearing design)
- M Machined brass cage, roller centred
- MA(S) Machined brass cage, outer ring centred. The S indicates a lubrication groove in the guiding surface.
- MB Machined brass cage, inner ring centred
- MH Machined brass cage, inner ring raceway centred
- ML Machined brass cage, window-type, inner or outer ring centred (depending on bearing design)
- MP Machined brass cage, window-type, inner or outer ring centred (depending on bearing size)
- MR Machined brass cage, window-type, roller centred
- P Glass fibre reinforced PA66 cage, roller centred
- PA Glass fibre reinforced PA66 cage, outer ring centred
- PH Glass fibre reinforced PEEK cage, roller centred
- PHA Glass fibre reinforced PEEK cage, outer ring centred
- V Full complement of rollers (no cage)
- VH Full complement of rollers (no cage), self-retaining

Group 4					
4.1	4.2	4.3	4.4	4.5	4.6

Group 4.6: Other variants

PEX	SKF Explorer bearing, used only when same-sized conventional and SKF Explorer bearings are available
VA301	Bearing for railway vehicle traction motors
VA305	VA301 + special inspection routines
VA350	Bearing for railway axleboxes
VA380	Bearing for railway axleboxes in accordance with EN 12080, class 1
VA3091	VA301 + external surfaces of the outer ring are coated with aluminium oxide
VC025	Bearing with special wear-resistant raceways for applications in heavily contaminated environments
VE901	Modified internal design
VQ015	Inner ring with crowned raceway for increased permissible misalignment

Group 4.5: Lubrication

W33	Annular groove and three lubrication holes in the outer ring
------------	--

Group 4.4: Stabilization

S1	Bearing rings heat stabilized for operating temperatures $\leq 200\text{ }^{\circ}\text{C}$ ($390\text{ }^{\circ}\text{F}$)
S2	Bearing rings heat stabilized for operating temperatures $\leq 250\text{ }^{\circ}\text{C}$ ($480\text{ }^{\circ}\text{F}$)

Group 4.3: Bearing sets, matched bearings

DR	Set of two matched bearings
TR	Set of three matched bearings
QR	Set of four matched bearings

Group 4.2: Accuracy, clearance, preload, quiet running

CN	Normal radial internal clearance; only used together with an additional letter that identifies a reduced or displaced clearance range
H	Reduced clearance range corresponding to the upper half of the actual clearance range
L	Reduced clearance range corresponding to the lower half of the actual clearance range
M	Reduced clearance range corresponding to the middle half of the actual clearance range
	The above letters are also used together with the clearance classes C2, C3, C4 and C5, e.g. C2H.
C2	Radial internal clearance smaller than Normal
C3	Radial internal clearance greater than Normal
C4	Radial internal clearance greater than C3
C5	Radial internal clearance greater than C4

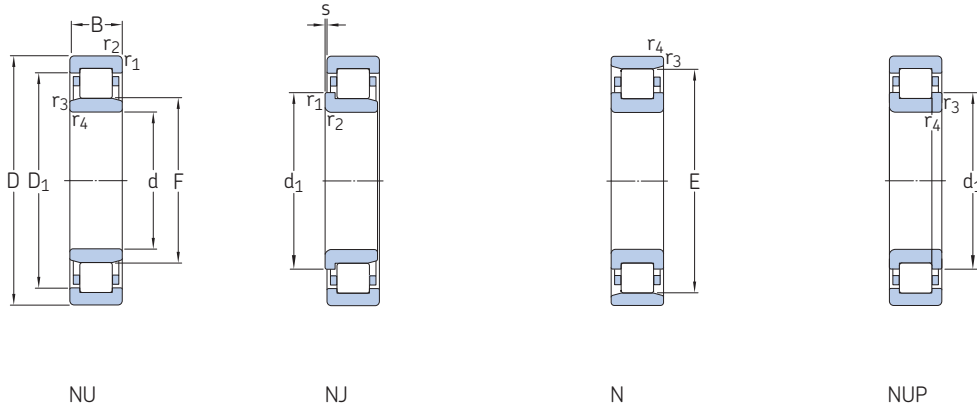
Group 4.1: Materials, heat treatment

HA1	Case-hardened inner and outer rings
HA2	Case-hardened outer ring
HA3	Case-hardened inner ring
HB1	Bainite-hardened inner and outer rings
HB3	Bainite-hardened inner ring
HN1	Inner and outer rings with special surface heat treatment
L4B	Bearing rings and rollers black oxidized
L5B	Rollers black oxidized
L7B	Inner ring and rollers black oxidized



6.1 Single row cylindrical roller bearings

d 15 – 25 mm



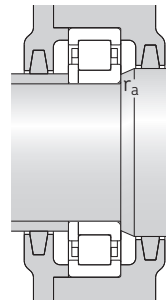
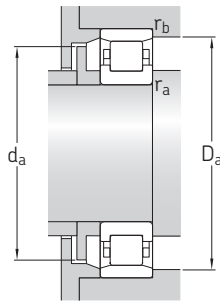
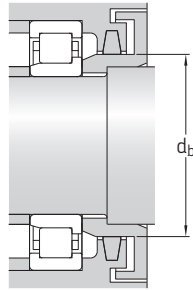
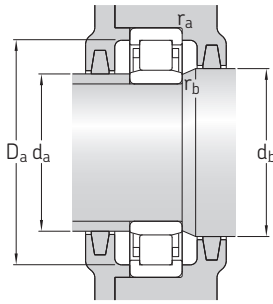
Principal dimensions			Basic load ratings		Fatigue load limit	Speed ratings		Mass	Designations Bearing with standard cage	Alternative standard cage ¹⁾
d	D	B	C	C ₀		Reference speed	Limiting speed			
mm			kN		kN	r/min	kg	–		
15	35	11	12,5	10,2	1,22	22 000	26 000	0,047	▶ NU 202 ECP	PHA
	35	11	12,5	10,2	1,22	22 000	26 000	0,048	▶ NJ 202 ECP	PHA
17	40	12	20	14,3	1,73	20 000	22 000	0,066	▶ N 203 ECP	PH
	40	12	20	14,3	1,73	20 000	22 000	0,068	▶ NU 203 ECP	PHA
	40	12	20	14,3	1,73	20 000	22 000	0,069	▶ NJ 203 ECP	PHA
	40	12	20	14,3	1,73	20 000	22 000	0,072	▶ NUP 203 ECP	PHA
	40	16	27,5	21,6	2,65	20 000	22 000	0,087	▶ NU 2203 ECP	–
	40	16	27,5	21,6	2,65	20 000	22 000	0,093	▶ NJ 2203 ECP	–
	40	16	27,5	21,6	2,65	20 000	22 000	0,097	▶ NUP 2203 ECP	–
	47	14	28,5	20,4	2,55	17 000	20 000	0,12	▶ N 303 ECP	–
	47	14	28,5	20,4	2,55	17 000	20 000	0,12	▶ NU 303 ECP	–
	47	14	28,5	20,4	2,55	17 000	20 000	0,12	▶ NJ 303 ECP	–
20	47	14	28,5	22	2,75	17 000	19 000	0,11	▶ N 204 ECP	–
	47	14	28,5	22	2,75	17 000	19 000	0,11	▶ NJ 204 ECP	ML, PHA
	47	14	28,5	22	2,75	17 000	19 000	0,11	▶ NU 204 ECP	ML, PHA
	47	14	28,5	22	2,75	17 000	19 000	0,12	▶ NUP 204 ECP	ML, PHA
	47	18	34,5	27,5	3,45	17 000	19 000	0,14	▶ NJ 2204 ECP	–
	47	18	34,5	27,5	3,45	17 000	19 000	0,14	▶ NU 2204 ECP	–
	52	15	35,5	26	3,25	15 000	18 000	0,14	▶ NU 304 ECP	–
	52	15	35,5	26	3,25	15 000	18 000	0,15	▶ N 304 ECP	–
	52	15	35,5	26	3,25	15 000	18 000	0,15	▶ NJ 304 ECP	–
	52	15	35,5	26	3,25	15 000	18 000	0,16	▶ NUP 304 ECP	–
25	52	21	47,5	38	4,8	15 000	18 000	0,21	▶ NU 2304 ECP	–
	52	21	47,5	38	4,8	15 000	18 000	0,22	▶ NJ 2304 ECP	–
	52	21	47,5	38	4,8	15 000	18 000	0,22	▶ NUP 2304 ECP	–
	47	12	14,2	13,2	1,4	18 000	18 000	0,082	▶ NU 1005	–
	52	15	32,5	27	3,35	15 000	16 000	0,13	▶ N 205 ECP	–
	52	15	32,5	27	3,35	15 000	16 000	0,13	▶ NU 205 ECP	J, ML, PH, PHA
	52	15	32,5	27	3,35	15 000	16 000	0,14	▶ NJ 205 ECP	J, ML, PH, PHA
	52	15	32,5	27	3,35	15 000	16 000	0,14	▶ NUP 205 ECP	J, ML, PH, PHA
	52	18	39	34	4,25	15 000	16 000	0,16	▶ NU 2205 ECP	ML, PH
	52	18	39	34	4,25	15 000	16 000	0,17	▶ NJ 2205 ECP	ML, PH
62	17	46,5	36,5	4,55	12 000	15 000	0,23	▶ N 305 ECP	–	

SKF Explorer bearing

▶ Popular item

¹⁾ When ordering bearings with an alternative standard cage the suffix of the standard cage has to be replaced by the suffix of the alternative cage.

For example NU...ECP becomes NU...ECML (for permissible speed → page 511).

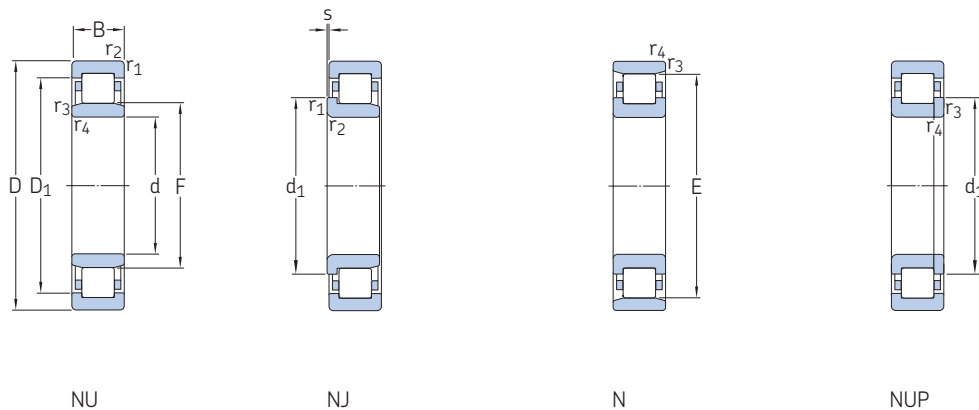


Angle ring

Dimensions				Abutment and fillet dimensions									Calculation factor k_r	Angle ring Designation	Mass	Dimensions	
d	d_1 ≈	D_1 ≈	F, E	$r_{1,2}$ min.	$r_{3,4}$ min.	s max.	d_a min.	d_a max.	d_b, D_a min.	D_a max.	r_a max.	r_b max.				B ₁	B ₂
mm													-	-	kg	mm	
15	-	27,7	19,3	0,6	0,3	1	17,4	18,4	21	31,3	0,6	0,3	0,15	-	-	-	-
	21,9	27,7	19,3	0,6	0,3	1	18,2	18,4	23	31,3	0,6	-	0,15	-	-	-	-
17	25	-	35,1	0,6	0,3	1	20,7	33	37	37,1	0,6	0,3	0,12	-	-	-	-
	-	32,35	22,1	0,6	0,3	1	19,9	21,1	24	36	0,6	0,3	0,15	-	-	-	-
	25	32,35	22,1	0,6	0,6	1	20,7	21,1	27	36	0,6	-	0,15	-	-	-	-
	25	32,35	22,1	0,6	0,3	-	20,7	-	27	36	0,6	-	0,15	-	-	-	-
	-	32,35	22,1	0,6	0,3	1,5	19,9	21,1	24	36	0,6	0,3	0,2	-	-	-	-
	25	32,35	22,1	0,6	0,3	1,5	20,7	21,1	27	36	0,6	-	0,2	-	-	-	-
	25	32,35	22,1	0,6	0,3	-	20,7	-	27	36	0,6	-	0,2	-	-	-	-
	27,7	-	40,2	1	0,6	1	22,1	38	42	42,7	1	0,6	0,12	-	-	-	-
	27,7	36,75	24,2	1	0,6	1	22,1	23,1	29	41,7	1	-	0,15	-	-	-	-
	-	36,75	24,2	1	0,6	1	21,1	23,1	26	41,7	1	0,6	0,15	-	-	-	-
20	29,7	-	41,5	1	0,6	1	25	40	43	43,5	1	0,6	0,12	-	-	-	-
	29,7	38,44	26,5	1	0,6	1	25	25,4	31	41,7	1	-	0,15	-	-	-	-
	-	38,44	26,5	1	0,6	1	24	25,4	28	41,7	1	0,6	0,15	-	-	-	-
	29,7	38,44	26,5	1	0,6	-	25	-	31	41,7	1	-	0,15	-	-	-	-
	29,7	38,3	26,5	1	0,6	2	25	25,4	31	41,7	1	-	0,2	-	-	-	-
	-	38,3	26,5	1	0,6	2	24	25,4	28	41,7	1	0,6	0,2	-	-	-	-
	-	41,85	27,5	1,1	0,6	0,9	24,1	26,2	29	45,4	1	0,6	0,15	HJ 304 EC	0,017	4	6,5
	31,2	-	45,5	1,1	0,6	0,9	26,1	44	47	48	1	0,6	0,12	-	-	-	-
	31,2	41,85	27,5	1,1	0,6	0,9	26,1	26,2	33	45,4	1	-	0,15	HJ 304 EC	0,017	4	6,5
	31,2	41,85	27,5	1,1	0,6	-	26,1	-	33	45,4	1	-	0,15	-	-	-	-
25	-	41,85	27,5	1,1	0,6	1,9	24,1	26,2	29	45,4	1	0,6	0,25	-	-	-	-
	31,2	41,85	27,5	1,1	0,6	1,9	26,1	26,2	33	45,4	1	-	0,25	-	-	-	-
	31,2	41,85	27,5	1,1	0,6	-	26,1	-	33	45,4	1	-	0,25	-	-	-	-
	31,2	41,85	27,5	1,1	0,6	-	26,1	-	33	45,4	1	-	0,25	-	-	-	-
	-	38,8	30,5	0,6	0,3	1,5	27,1	29,5	32	43,1	0,6	0,3	0,1	-	-	-	-
	34,7	-	46,5	1	0,6	1,3	29,9	45	48	48,5	1	0,6	0,12	-	-	-	-
	-	43,3	31,5	1	0,6	1,3	28,9	30,4	33	46,4	1	0,6	0,15	HJ 205 EC	0,015	3	6
	34,7	43,3	31,5	1	0,6	1,3	29,9	30,4	36	46,4	1	-	0,15	-	-	-	-
	34,7	43,3	31,5	1	0,6	-	29,9	-	36	46,4	1	-	0,15	-	-	-	-
	-	43,3	31,5	1	0,6	1,8	28,9	30,4	33	46,4	1	0,6	0,2	HJ 2205 EC	0,014	3	6,5
34,7	43,3	31,5	1	0,6	1,8	29,9	30,4	36	46,4	1	-	0,2	HJ 2205 EC	0,014	3	6,5	
34,7	43,3	31,5	1	0,6	-	29,9	-	36	46,4	1	-	0,2	-	-	-	-	
38,1	-	54	1,1	1,1	1,3	31	52	56	56,4	1	1	0,12	-	-	-	-	

6.1 Single row cylindrical roller bearings

d 25 – 35 mm



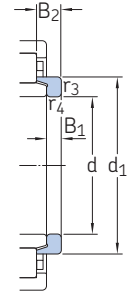
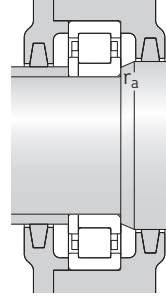
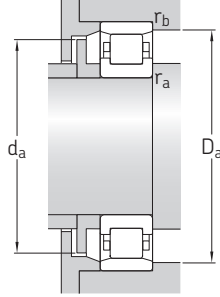
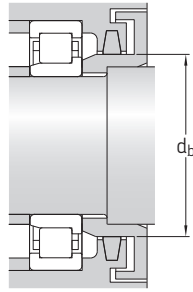
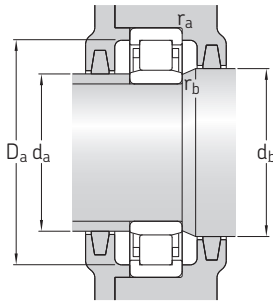
Principal dimensions			Basic load ratings		Fatigue load limit	Speed ratings		Mass	Designations Bearing with standard cage	Alternative standard cage ¹⁾
d	D	B	C	C ₀		Reference speed	Limiting speed			
mm			kN		kN	r/min	kg	–		
25 cont.	62	17	46,5	36,5	4,55	12 000	15 000	0,23	▶ NU 305 ECP	J, ML
	62	17	46,5	36,5	4,55	12 000	15 000	0,24	▶ NJ 305 ECP	J, ML
	62	17	46,5	36,5	4,55	12 000	15 000	0,25	▶ NUP 305 ECP	J, ML
	62	24	64	55	6,95	12 000	15 000	0,34	▶ NU 2305 ECP	J, ML
	62	24	64	55	6,95	12 000	15 000	0,35	▶ NJ 2305 ECP	J, ML
	62	24	64	55	6,95	12 000	15 000	0,36	▶ NUP 2305 ECP	J, ML
	62	13	17,9	17,3	1,86	15 000	15 000	0,11	▶ NU 1006	–
	62	16	44	36,5	4,5	13 000	14 000	0,2	▶ N 206 ECP	–
	62	16	44	36,5	4,5	13 000	14 000	0,2	▶ NU 206 ECP	J, ML, PH
30	62	16	44	36,5	4,55	13 000	14 000	0,21	▶ NJ 206 ECP	J, ML, PH
	62	16	44	36,5	4,55	13 000	14 000	0,21	▶ NUP 206 ECP	J, ML, PH
	62	20	55	49	6,1	13 000	14 000	0,26	▶ NJ 2206 ECP	J, ML, PH
	62	20	55	49	6,1	13 000	14 000	0,26	▶ NU 2206 ECP	J, ML, PH
	62	20	55	49	6,1	13 000	14 000	0,27	▶ NUP 2206 ECP	J, ML, PH
	72	19	58,5	48	6,2	11 000	12 000	0,36	▶ N 306 ECP	–
	72	19	58,5	48	6,2	11 000	12 000	0,36	▶ NU 306 ECP	J, M, ML
	72	19	58,5	48	6,2	11 000	12 000	0,37	▶ NJ 306 ECP	J, M, ML
	72	19	58,5	48	6,2	11 000	12 000	0,38	▶ NUP 306 ECP	J, M, ML
	72	27	83	75	9,65	11 000	12 000	0,53	▶ NU 2306 ECP	ML, PH
	72	27	83	75	9,65	11 000	12 000	0,54	▶ NJ 2306 ECP	ML, PH
	72	27	83	75	9,65	11 000	12 000	0,54	▶ NUP 2306 ECP	ML, PH
	90	23	60,5	53	6,8	9 000	11 000	0,75	▶ NU 406	MA
	90	23	60,5	53	6,8	9 000	11 000	0,78	▶ NJ 406	MA
	35	62	14	35,8	38	4,55	13 000	13 000	0,16	▶ NU 1007 ECP
72		17	56	48	6,1	11 000	12 000	0,29	▶ NU 207 ECP	J, M, ML, PH, PHA
72		17	56	48	6,1	11 000	12 000	0,3	▶ N 207 ECP	–
72		17	56	48	6,1	11 000	12 000	0,3	▶ NJ 207 ECP	J, M, ML, PH, PHA
72		17	56	48	6,1	11 000	12 000	0,31	▶ NUP 207 ECP	J, M, ML, PH, PHA
72		23	69,5	63	8,15	11 000	12 000	0,4	▶ NU 2207 ECP	J, ML, PH
72		23	69,5	63	8,15	11 000	12 000	0,41	▶ NJ 2207 ECP	J, ML, PH
72		23	69,5	63	8,15	11 000	12 000	0,42	▶ NUP 2207 ECP	J, ML, PH
80		21	75	63	8,15	9 500	11 000	0,47	▶ NU 307 ECP	J, M, ML, PH
80		21	75	63	8,15	9 500	11 000	0,48	▶ N 307 ECP	–
80		21	75	63	8,15	9 500	11 000	0,49	▶ NJ 307 ECP	J, M, ML, PH
80		21	75	63	8,15	9 500	11 000	0,49	▶ NUP 307 ECP	J, M, ML, PH

SKF Explorer bearing

▶ Popular item

¹⁾ When ordering bearings with an alternative standard cage the suffix of the standard cage has to be replaced by the suffix of the alternative cage.

For example NU...ECP becomes NU...ECML (for permissible speed → page 511).

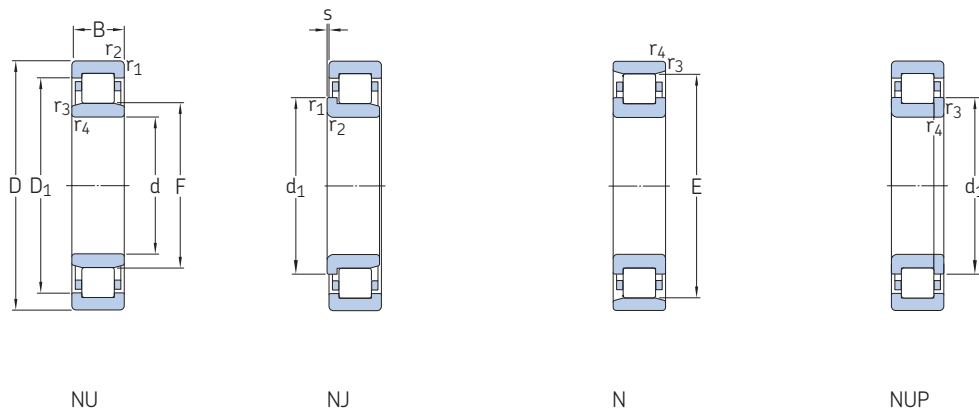


Angle ring

Dimensions				Abutment and fillet dimensions									Calculation factor k_r	Angle ring Designation	Mass	Dimensions	
d	d_1	D_1	F, E	$r_{1,2}$	$r_{3,4}$	s	d_a	d_a	d_b, D_a	D_a	r_a	r_b				B_1	B_2
mm	\approx	\approx		min.	min.	max.	min.	max.	min.	max.	max.	max.			kg	mm	
25 cont.	–	50,15	34	1,1	1,1	1,3	31	32,5	36	54,9	1	1	0,15	HJ 305 EC	0,025	4	7
	38,1	50,15	34	1,1	1,1	1,3	31	32,5	40	54,9	1	–	0,15	HJ 305 EC	0,025	4	7
	38,1	50,15	34	1,1	1,1	–	31	–	40	54,9	1	–	0,15	–	–	–	–
	–	50,15	34	1,1	1,1	2,3	31	32,5	36	54,9	1	1	0,25	HJ 2305 EC	0,023	4	8
	38,1	50,15	34	1,1	1,1	2,3	31	32,5	40	54,9	1	–	0,25	HJ 2305 EC	0,023	4	8
	38,1	50,15	34	1,1	1,1	–	31	–	40	54,9	1	–	0,25	–	–	–	–
30	–	45,56	36,5	1	0,6	1,6	32,9	35,6	38	49,8	1	0,6	0,1	–	–	–	–
	41,2	–	55,5	1	0,6	1,3	35,3	54	57	58,1	1	0,6	0,12	–	–	–	–
	–	51,95	37,5	1	0,6	1,3	34,3	36,1	39	55,9	1	0,6	0,15	HJ 206 EC	0,025	4	7
	41,2	51,95	37,5	1	0,6	1,3	35,3	36,1	43	55,9	1	–	0,15	HJ 206 EC	0,025	4	7
	41,2	51,95	37,5	1	0,6	–	35,3	–	43	55,9	1	–	0,15	–	–	–	–
	41,2	51,95	37,5	1	0,6	1,8	35,3	36,1	43	55,9	1	–	0,2	–	–	–	–
	–	51,95	37,5	1	0,6	1,8	34,3	36,1	39	55,9	1	0,6	0,2	–	–	–	–
	41,2	51,95	37,5	1	0,6	–	35,3	–	43	55,9	1	–	0,2	–	–	–	–
	45	–	62,5	1,1	1,1	1,4	37	61	64	65,5	1	1	0,12	–	–	–	–
	–	58,35	40,5	1,1	1,1	1,4	37	39	43	65,1	1	1	0,15	HJ 306 EC	0,042	5	8,5
	45	58,35	40,5	1,1	1,1	1,4	37	39	47	65,1	1	–	0,15	HJ 306 EC	0,042	5	8,5
	45	58,35	40,5	1,1	1,1	–	37	–	47	65,1	1	–	0,15	–	–	–	–
–	58,35	40,5	1,1	1,1	2,4	37	39	43	65,1	1	1	0,25	–	–	–	–	
45	58,35	40,5	1,1	1,1	2,4	37	39	47	65,1	1	–	0,25	–	–	–	–	
45	58,35	40,5	1,1	1,1	–	37	–	47	65,1	1	–	0,25	–	–	–	–	
35	–	66,1	45	1,5	1,5	1,6	41	43	47	81	1,5	1,5	0,15	HJ 406	0,08	7	11,5
	50,5	66,1	45	1,5	1,5	1,6	41	43	53	81	1,5	–	0,15	HJ 406	0,08	7	11,5
	–	53,95	42	1	0,6	1	38	41	44	56,5	1	0,6	0,1	–	–	–	–
	–	60,2	44	1,1	0,6	1,3	39,8	42,2	46	65,1	1	0,6	0,15	HJ 207 EC	0,033	4	7
	48,1	–	64	1,1	0,6	1,3	41,8	62	66	67,2	1	0,6	0,12	–	–	–	–
	48,1	60,2	44	1,1	0,6	1,3	41,8	42,2	50	65,1	1	–	0,15	HJ 207 EC	0,033	4	7
	48,1	60,2	44	1,1	0,6	–	41,8	–	50	65,1	1	–	0,15	–	–	–	–
	–	60,2	44	1,1	0,6	2,8	39,8	42,2	46	65,1	1	0,6	0,2	–	–	–	–
	48,1	60,2	44	1,1	0,6	2,8	41,8	42,2	50	65,1	1	–	0,2	–	–	–	–
	48,1	60,2	44	1,1	0,6	–	42	–	50	65,1	1	–	0,2	–	–	–	–
	–	65,8	46,2	1,5	1,1	1,2	42	44	48	72,2	1,5	1	0,15	HJ 307 EC	0,058	6	9,5
	51	–	70,2	1,5	1,1	1,2	43	68	72	73,4	1,5	1	0,12	–	–	–	–
51	65,8	46,2	1,5	1,1	1,2	43	44	53	72,2	1,5	–	0,15	HJ 307 EC	0,058	6	9,5	
51	65,8	46,2	1,5	1,1	–	44	–	53	72,2	1,5	–	0,15	–	–	–	–	

6.1 Single row cylindrical roller bearings

d 35 – 45 mm



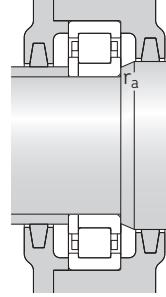
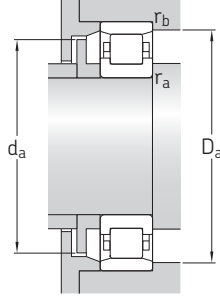
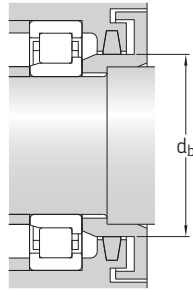
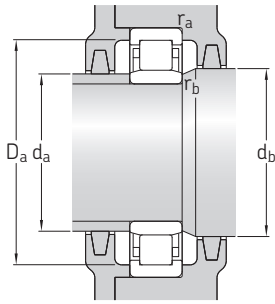
Principal dimensions			Basic load ratings		Fatigue load limit	Speed ratings		Mass	Designations Bearing with standard cage	Alternative standard cage ¹⁾
d	D	B	C	C ₀		Reference speed	Limiting speed			
mm			kN		kN	r/min		kg	–	
35 cont.	80	31	106	98	12,7	9 500	11 000	0,72	▶ NU 2307 ECP	PH
	80	31	106	98	12,7	9 500	11 000	0,73	▶ NJ 2307 ECP	PH
	80	31	106	98	12,7	9 500	11 000	0,76	▶ NUP 2307 ECP	PH
	100	25	76,5	69,5	9	8 000	9 500	1	▶ NJ 407	–
	100	25	76,5	69,5	9	8 000	9 500	1	▶ NU 407	–
40	68	15	25,1	26	3	12 000	18 000	0,23	▶ NU 1008 ML	–
	80	18	62	53	6,7	9 500	11 000	0,37	▶ N 208 ECP	PH
	80	18	62	53	6,7	9 500	11 000	0,37	▶ NU 208 ECP	J, M, ML, PH
	80	18	62	53	6,7	9 500	11 000	0,38	▶ NJ 208 ECP	J, M, ML, PH
	80	18	62	53	6,7	9 500	11 000	0,39	▶ NUP 208 ECP	J, M, ML, PH
	80	23	81,5	75	9,65	9 500	11 000	0,49	▶ NU 2208 ECP	J, ML, PH
	80	23	81,5	75	9,65	9 500	11 000	0,51	▶ NUP 2208 ECP	J, ML, PH
	90	23	93	78	10,2	8 000	9 500	0,65	▶ N 308 ECP	M
	90	23	93	78	10,2	8 000	9 500	0,65	▶ NU 308 ECP	J, M, ML, PH
	90	23	93	78	10,2	8 000	9 500	0,67	▶ NJ 308 ECP	J, M, ML, PH
	90	23	93	78	10,2	8 000	9 500	0,68	▶ NUP 308 ECP	J, M, ML, PH
	90	33	129	120	15,3	8 000	9 500	0,93	▶ NU 2308 ECP	J, M, ML, PH
	90	33	129	120	15,3	8 000	9 500	0,95	▶ NJ 2308 ECP	J, M, ML, PH
	90	33	129	120	15,3	8 000	9 500	0,98	▶ NUP 2308 ECP	J, M, ML, PH
	45	110	27	96,8	90	11,6	7 000	8 500	1,3	▶ NJ 408
110		27	96,8	90	11,6	7 000	8 500	1,3	▶ NU 408	M, MA
75		16	44,6	52	6,3	11 000	11 000	0,25	▶ NU 1009 ECP	–
75		16	44,6	52	6,3	11 000	11 000	0,26	▶ NJ 1009 ECP	PH
85		19	69,5	64	8,15	9 000	9 500	0,42	▶ NU 209 ECP	J, M, ML
85		19	69,5	64	8,15	9 000	9 500	0,43	▶ N 209 ECP	M
85		19	69,5	64	8,15	9 000	9 500	0,44	▶ NJ 209 ECP	J, M, ML
85		19	69,5	64	8,15	9 000	9 500	0,44	▶ NUP 209 ECP	J, M, ML
85		23	85	81,5	10,6	9 000	9 500	0,52	▶ NU 2209 ECP	J, PH
85		23	85	81,5	10,6	9 000	9 500	0,54	▶ NJ 2209 ECP	J, PH
85		23	85	81,5	10,6	9 000	9 500	0,55	▶ NUP 2209 ECP	J, PH
100		25	112	100	12,9	7 500	8 500	0,88	▶ N 309 ECP	–
100		25	112	100	12,9	7 500	8 500	0,89	▶ NJ 309 ECP	J, M, ML, PH
100		25	112	100	12,9	7 500	8 500	0,9	▶ NUP 309 ECP	J, M, ML, PH

SKF Explorer bearing

▶ Popular item

¹⁾ When ordering bearings with an alternative standard cage the suffix of the standard cage has to be replaced by the suffix of the alternative cage.

For example NU...ECP becomes NU...ECML (for permissible speed → page 511).



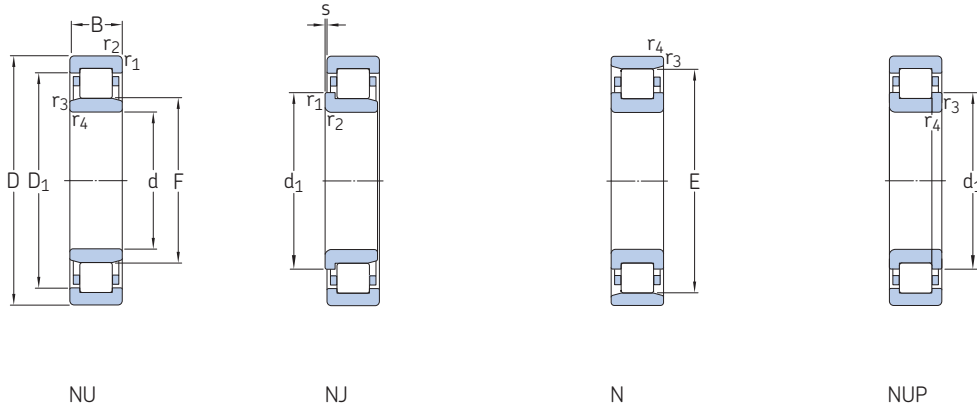
Angle ring

Dimensions				Abutment and fillet dimensions									Calculation factor k_r	Angle ring Designation	Mass	Dimensions	
d	d_1	D_1	F, E	$r_{1,2}$	$r_{3,4}$	s	d_a	d_a	d_b, D_a	D_a	r_a	r_b				B_1	B_2
mm	mm	mm	mm	mm	mm	mm	mm	mm	mm	mm	mm	mm	mm	mm	kg	mm	mm
35 cont.	–	65,8	46,2	1,5	1,1	2,7	42	44	48	72,2	1,5	1	0,25	–	–	–	–
	51	65,8	46,2	1,5	1,1	2,7	43	44	53	72,2	1,5	–	0,25	–	–	–	–
	51	65,8	46,2	1,5	1,1	–	43	–	53	72,2	1,5	–	0,25	–	–	–	–
	59	77,15	53	1,5	1,5	1,7	48	51	61	90	1,5	–	0,15	–	–	–	–
	–	77,15	53	1,5	1,5	1,7	48	51	55	90	1,5	1,5	0,15	–	–	–	–
40	–	57,6	47	1	0,6	2,4	43	46	49	62,3	1	0,6	0,15	–	–	–	–
	54	–	71,5	1,1	1,1	1,4	47	69	73	74,1	1	1	0,12	–	–	–	–
	–	67,4	49,5	1,1	1,1	1,4	47	48	51	72,8	1	1	0,15	HJ 208 EC	0,047	5	8,5
	54	67,4	49,5	1,1	1,1	1,4	47	48	56	72,8	1	–	0,15	HJ 208 EC	0,047	5	8,5
	54	67,4	49,5	1,1	1,1	–	47	–	56	72,8	1	–	0,15	–	–	–	–
	–	67,4	49,5	1,1	1,1	1,9	47	48	51	72,8	1	1	0,2	HJ 2208 EC	0,048	5	9
	54	67,4	49,5	1,1	1,1	1,9	47	48	56	72,8	1	–	0,2	HJ 2208 EC	0,048	5	9
	54	67,4	49,5	1,1	1,1	–	47	–	56	72,8	1	–	0,2	–	–	–	–
	57,5	–	80	1,5	1,5	1,4	48	78	82	83,2	1,5	1,5	0,12	–	–	–	–
	–	75	52	1,5	1,5	1,4	48	50	54	81,8	1,5	1,5	0,15	HJ 308 EC	0,084	7	11
	57,5	75	52	1,5	1,5	1,4	48	50	60	81,8	1,5	–	0,15	HJ 308 EC	0,084	7	11
	57,5	75	52	1,5	1,5	–	48	–	60	81,8	1,5	–	0,15	–	–	–	–
	–	75	52	1,5	1,5	2,9	48	50	54	81,8	1,5	1,5	0,25	–	–	–	–
	57,5	75	52	1,5	1,5	2,9	48	50	60	81,8	1,5	–	0,25	–	–	–	–
	57,5	75	52	1,5	1,5	–	48	–	60	81,8	1,5	–	0,25	–	–	–	–
64,8	85,3	58	2	2	2,5	52	56	67	99	2	–	0,15	–	–	–	–	
–	85,3	58	2	2	2,5	52	56	60	99	2	2	0,15	–	–	–	–	
45	–	65,3	52,5	1	0,6	0,9	48,4	51	54	69,8	1	0,6	0,1	–	–	–	–
	56	65,3	52,5	1	0,6	0,9	48,4	51	57,5	69,8	1	–	0,1	–	–	–	–
	–	72,4	54,5	1,1	1,1	1,2	52	53	56	77,6	1	1	0,15	HJ 209 EC	0,052	5	8,5
	59	–	76,5	1,1	1,1	1,2	52	74	78	79,1	1	1	0,12	–	–	–	–
	59	72,4	54,5	1,1	1,1	1,2	52	53	61	77,6	1	–	0,15	HJ 209 EC	0,052	5	8,5
	59	72,4	54,5	1,1	1,1	–	52	–	61	77,6	1	–	0,15	–	–	–	–
	–	72,4	54,5	1,1	1,1	1,7	52	53	56	77,6	1	1	0,2	–	–	–	–
	59	72,4	54,5	1,1	1,1	1,7	52	53	61	77,6	1	–	0,2	–	–	–	–
	59	72,4	54,5	1,1	1,1	–	52	–	61	77,6	1	–	0,2	–	–	–	–
	64,4	–	88,5	1,5	1,5	1,7	54	86	91	92,3	1,5	1,5	0,12	–	–	–	–
	64,4	83,2	58,5	1,5	1,5	1,7	54	56	67	91,4	1,5	–	0,15	HJ 309 EC	0,11	7	11,5
	–	83,2	58,5	1,5	1,5	1,7	54	56	60	91,4	1,5	1,5	0,15	HJ 309 EC	0,11	7	11,5



6.1 Single row cylindrical roller bearings

d 45 – 55 mm



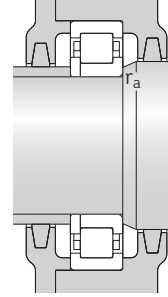
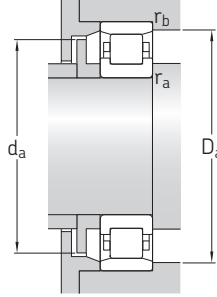
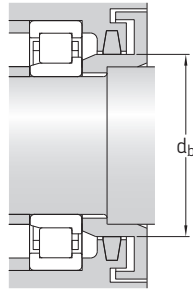
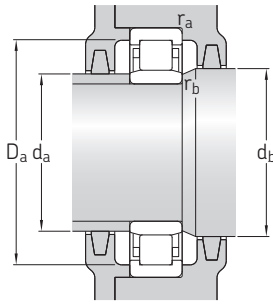
Principal dimensions			Basic load ratings		Fatigue load limit	Speed ratings		Mass	Designations Bearing with standard cage	Alternative standard cage ¹⁾	
d	D	B	C	C ₀		Reference speed	Limiting speed				
mm			kN		kN	r/min	kg	–			
45 cont.	100	25	112	100	12,9	7 500	8 500	0,93	▶ NUP 309 ECP ▶ NU 2309 ECP ▶ NJ 2309 ECP	J, M, ML, PH	
	100	36	160	153	20	7 500	8 500	1,3		ML	
	100	36	160	153	20	7 500	8 500	1,35		ML	
		100	36	160	153	20	7 500	8 500	1,35	▶ NUP 2309 ECP ▶ NJ 409 ▶ NU 409	ML
		120	29	106	102	13,4	6 700	7 500	1,65		–
		120	29	106	102	13,4	6 700	7 500	1,65		–
50	80	16	46,8	56	6,7	9 500	9 500	0,27	▶ NU 1010 ECP ▶ NU 210 ECP ▶ N 210 ECP	–	
	90	20	73,5	69,5	8,8	8 500	9 000	0,47		J, M, ML, PH	
	90	20	73,5	69,5	8,8	8 500	9 000	0,48		M	
		90	20	73,5	69,5	8,8	8 500	9 000	0,49	▶ NJ 210 ECP ▶ NUP 210 ECP ▶ NU 2210 ECP	J, M, ML, PH
		90	20	73,5	69,5	8,8	8 500	9 000	0,5		J, M, ML, PH
		90	23	90	88	11,4	8 500	9 000	0,56		J, M, ML, PH
		90	23	90	88	11,4	8 500	9 000	0,57	▶ NJ 2210 ECP ▶ NUP 2210 ECP ▶ N 310 ECP	J, M, ML, PH
		90	23	90	88	11,4	8 500	9 000	0,59		J, M, ML, PH
		110	27	127	112	15	6 700	8 000	1,1		–
		110	27	127	112	15	6 700	8 000	1,1	▶ NU 310 ECP ▶ NJ 310 ECP ▶ NUP 310 ECP	J, M, ML, PH
		110	27	127	112	15	6 700	8 000	1,15		J, M, ML, PH
		110	27	127	112	15	6 700	8 000	1,15		J, M, ML, PH
		110	40	186	186	24,5	6 700	8 000	1,75	▶ NJ 2310 ECP ▶ NU 2310 ECP ▶ NUP 2310 ECP	ML, PH
		110	40	186	186	24,5	6 700	8 000	1,75		ML, PH
		110	40	186	186	24,5	6 700	8 000	1,75		ML, PH
		130	31	130	127	16,6	6 000	7 000	2	▶ NU 410 ▶ NJ 410	–
		130	31	130	127	16,6	6 000	7 000	2,05		–
	55	90	18	57,2	69,5	8,3	8 500	8 500	0,39	▶ NU 1011 ECP ▶ NJ 1011 ECP ▶ N 211 ECP	ML
90		18	57,2	69,5	8,3	8 500	8 500	0,42	ML		
100		21	96,5	95	12,2	7 500	8 000	0,65	–		
		100	21	96,5	95	12,2	7 500	8 000	0,66	▶ NU 211 ECP ▶ NJ 211 ECP ▶ NUP 211 ECP	J, M, ML
		100	21	96,5	95	12,2	7 500	8 000	0,67		J, M, ML
		100	21	96,5	95	12,2	7 500	8 000	0,68		J, M, ML
		100	25	114	118	15,3	7 500	8 000	0,79	▶ NU 2211 ECP ▶ NJ 2211 ECP ▶ NUP 2211 ECP	J, M, ML, PH
		100	25	114	118	15,3	7 500	8 000	0,81		J, M, ML, PH
		100	25	114	118	15,3	7 500	8 000	0,82		J, M, ML, PH
		120	29	156	143	18,6	6 000	7 000	1,45	▶ N 311 ECP ▶ NU 311 ECP ▶ NJ 311 ECP	M
		120	29	156	143	18,6	6 000	7 000	1,45		J, M, ML
		120	29	156	143	18,6	6 000	7 000	1,5		J, M, ML

SKF Explorer bearing

▶ Popular item

¹⁾ When ordering bearings with an alternative standard cage the suffix of the standard cage has to be replaced by the suffix of the alternative cage.

For example NU...ECP becomes NU...ECML (for permissible speed → page 511).

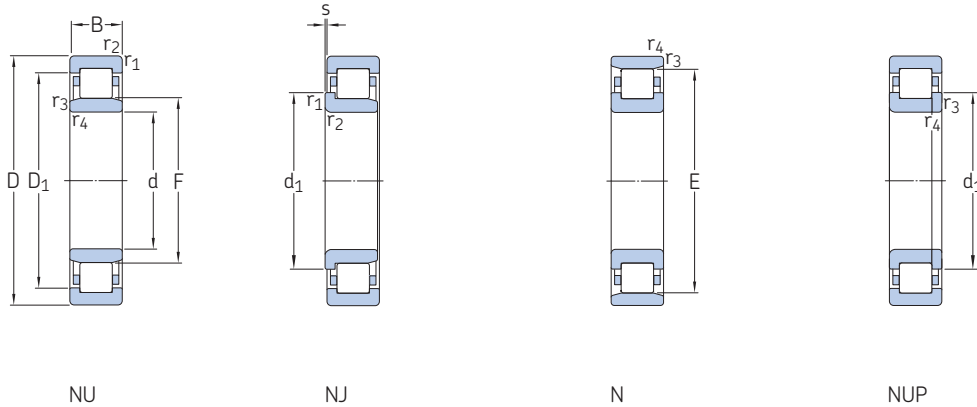


Angle ring

Dimensions				Abutment and fillet dimensions									Calculation factor k_r	Angle ring Designation	Mass	Dimensions	
d	$d_1 \approx$	$D_1 \approx$	F, E	$r_{1,2}$ min.	$r_{3,4}$ min.	s max.	d_a min.	d_a max.	d_b, D_a min.	D_a max.	r_a max.	r_b max.				B_1	B_2
mm													-	-	kg	mm	
45 cont.	64,4	83,2	58,5	1,5	1,5	-	54	-	67	91,4	1,5	-	0,15	-	-	-	-
	-	83,2	58,5	1,5	1,5	3,2	54	56	60	91,4	1,5	1,5	0,25	-	-	-	-
	64,4	83,2	58,5	1,5	1,5	3,2	54	56	67	91,4	1,5	-	0,25	-	-	-	-
	64,4	83,2	58,5	1,5	1,5	-	54	-	67	91,4	1,5	-	0,25	-	-	-	-
	71,8	93,4	64,5	2	2	2,5	58	62	75	108	2	-	0,15	HJ 409	0,18	8	13,5
	-	93,4	64,5	2	2	2,5	58	62	66	108	2	2	0,15	HJ 409	0,18	8	13,5
50	-	70,5	57,5	1	0,6	1	57	56	59	74,6	1	0,6	0,1	-	-	-	-
	-	77,4	59,5	1,1	1,1	1,5	57	57,5	61	82,4	1	1	0,15	HJ 210 EC	0,058	5	9
	64	-	81,5	1,1	1,1	1,5	57	79	83	84	1	1	0,12	-	-	-	-
	64	77,4	59,5	1,1	1,1	1,5	57	57,5	66	82,4	1	-	0,15	-	-	-	-
	64	77,4	59,5	1,1	1,1	-	57	-	66	82,4	1	-	0,15	-	-	-	-
	-	77,4	59,5	1,1	1,1	1,5	57	57,5	61	82,4	1	1	0,2	-	-	-	-
	64	77,4	59,5	1,1	1,1	1,5	57	57,5	66	82,4	1	-	0,2	-	-	-	-
	64	77,4	59,5	1,1	1,1	-	57	-	66	82,4	1	-	0,2	-	-	-	-
	71,2	-	97	2	2	1,9	60	95	99	101	2	2	0,12	-	-	-	-
	-	91,4	65	2	2	1,9	60	63	67	99,6	2	2	0,15	HJ 310 EC	0,15	8	13
	71,2	91,4	65	2	2	1,9	60	63	73	99,6	2	-	0,15	HJ 310 EC	0,15	8	13
	71,2	91,4	65	2	2	-	60	-	73	99,6	2	-	0,15	-	-	-	-
71,2	91,4	65	2	2	3,4	60	63	73	99,6	2	-	0,25	-	-	-	-	
-	91,4	65	2	2	3,4	60	63	67	99,6	2	2	0,25	-	-	-	-	
71,2	91,4	65	2	2	-	60	-	73	99,6	2	-	0,25	-	-	-	-	
	-	101,6	70,8	2,1	2,1	2,6	64	68	73	116	2	2	0,15	HJ 410	0,15	9	14,5
	78,8	101,6	70,8	2,1	2,1	2,6	64	68	81	116	2	-	0,15	HJ 410	0,15	9	14,5
55	-	79	64,5	1,1	1	0,5	59,7	63	66	83	1	1	0,1	-	-	-	-
	68	79	64,5	1,1	1	0,5	60	63	70	83	2	-	0,1	-	-	-	-
	70,8	-	90	1,5	1,1	1	63	88	92	93	1,5	1	0,12	-	-	-	-
	-	85,6	66	1,5	1,1	1	62	64	68	91,4	1,5	1	0,15	HJ 211 EC	0,083	6	9,5
	70,8	85,6	66	1,5	1,1	1	63	64	73	91,4	1,5	-	0,15	HJ 211 EC	0,083	6	9,5
	70,8	85,6	66	1,5	1,1	-	63	-	73	91,4	1,5	-	0,15	-	-	-	-
	-	85,6	66	1,5	1,1	1,5	62	64	68	91,4	1,5	1	0,2	HJ 2211 EC	0,085	6	10
	70,8	85,6	66	1,5	1,1	1,5	63	64	73	91,4	1	-	0,2	HJ 2211 EC	0,085	6	10
	70,8	85,6	66	1,5	1,1	-	63	-	73	91,4	1,5	-	0,2	-	-	-	-
	77,5	-	106,5	2	2	2	65	104	109	111	2	2	0,12	-	-	-	-
	-	100,3	70,5	2	2	2	65	68	73	109,2	2	2	0,15	HJ 311 EC	0,19	9	14
	77,5	100,3	70,5	2	2	2	65	68	80	109,2	2	-	0,15	HJ 311 EC	0,19	9	14

6.1 Single row cylindrical roller bearings

d 55 – 65 mm



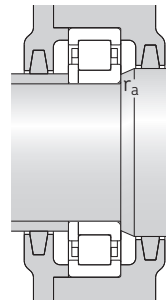
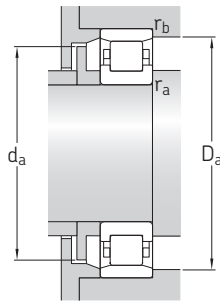
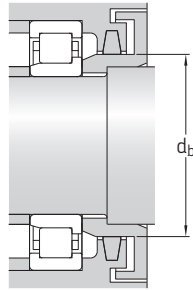
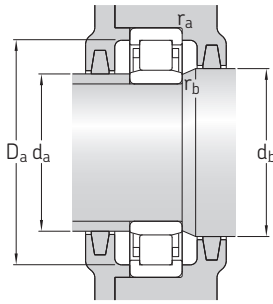
Principal dimensions			Basic load ratings		Fatigue load limit	Speed ratings		Mass	Designations Bearing with standard cage	Alternative standard cage ¹⁾	
d	D	B	C	C ₀		Reference speed	Limiting speed				
mm			kN		kN	r/min		kg	–		
55 cont.	120	29	156	143	18,6	6 000	7 000	1,5	▶ NUP 311 ECP	J, M, ML	
	120	43	232	232	30,5	6 000	7 000	2,25	▶ NJ 2311 ECP	ML, PH	
	120	43	232	232	30,5	6 000	7 000	2,25	▶ NU 2311 ECP	ML, PH	
	120	43	232	232	30,5	6 000	7 000	2,3	▶ NUP 2311 ECP	ML, PH	
	140	33	142	140	18,6	5 600	6 300	2,5	▶ NU 411	–	
	140	33	142	140	18,6	5 600	6 300	2,55	▶ NJ 411	–	
	60	95	18	37,4	44	5,3	8 000	13 000	0,5	▶ NU 1012 ML	–
		110	22	108	102	13,4	6 700	7 500	0,79	▶ N 212 ECP	M
		110	22	108	102	13,4	6 700	7 500	0,8	▶ NU 212 ECP	J, M, ML
		110	22	108	102	13,4	6 700	7 500	0,82	▶ NJ 212 ECP	J, M, ML
110		22	108	102	13,4	6 700	7 500	0,86	▶ NUP 212 ECP	J, M, ML	
110		28	146	153	20	6 700	7 500	1,05	▶ NU 2212 ECP	J, M, ML, PH	
110		28	146	153	20	6 700	7 500	1,1	▶ NJ 2212 ECP	J, M, ML, PH	
110		28	146	153	20	6 700	7 500	1,1	▶ NUP 2212 ECP	J, M, ML, PH	
130		31	173	160	21,2	5 600	6 700	1,75	▶ N 312 ECP	J, M	
130		31	173	160	21,2	5 600	6 700	1,75	▶ NU 312 ECP	J, M, ML, PH	
130		31	173	160	21,2	5 600	6 700	1,85	▶ NJ 312 ECP	J, M, ML, PH	
130		31	173	160	21,2	5 600	6 700	1,9	▶ NUP 312 ECP	J, M, ML, PH	
130		46	260	265	34,5	5 600	6 700	2,75	▶ NU 2312 ECP	M, ML, PH	
130		46	260	265	34,5	5 600	6 700	2,8	▶ NJ 2312 ECP	M, ML, PH	
130		46	260	265	34,5	5 600	6 700	2,85	▶ NUP 2312 ECP	M, ML, PH	
150		35	168	173	22	5 000	6 000	3	▶ NU 412	–	
150		35	168	173	22	5 000	6 000	3,05	▶ NJ 412	–	
65		100	18	38	46,5	5,5	7 500	12 000	0,51	▶ NU 1013 ML	–
	100	18	62,7	81,5	9,8	7 500	7 500	0,45	▶ NU 1013 ECP	PH	
	120	23	122	118	15,6	6 300	6 700	1	▶ NU 213 ECP	J, M, ML, PH	
	120	23	122	118	15,6	6 300	6 700	1,05	▶ N 213 ECP	–	
	120	23	122	118	15,6	6 300	6 700	1,05	▶ NJ 213 ECP	J, M, ML, PH	
	120	23	122	118	15,6	6 300	6 700	1,05	▶ NUP 213 ECP	J, M, ML, PH	
	120	31	170	180	24	6 300	6 700	1,4	▶ NU 2213 ECP	J, ML, PH	
	120	31	170	180	24	6 300	6 700	1,45	▶ NJ 2213 ECP	J, ML, PH	
	120	31	170	180	24	6 300	6 700	1,45	▶ NUP 2213 ECP	J, ML, PH	
	140	33	212	196	25,5	5 300	6 000	2,2	▶ N 313 ECP	M	
	140	33	212	196	25,5	5 300	6 000	2,2	▶ NU 313 ECP	J, M, ML, PH	
	140	33	212	196	25,5	5 300	6 000	2,3	▶ NJ 313 ECP	J, M, ML, PH	

SKF Explorer bearing

▶ Popular item

¹⁾ When ordering bearings with an alternative standard cage the suffix of the standard cage has to be replaced by the suffix of the alternative cage.

For example NU...ECP becomes NU...ECML (for permissible speed → page 511).

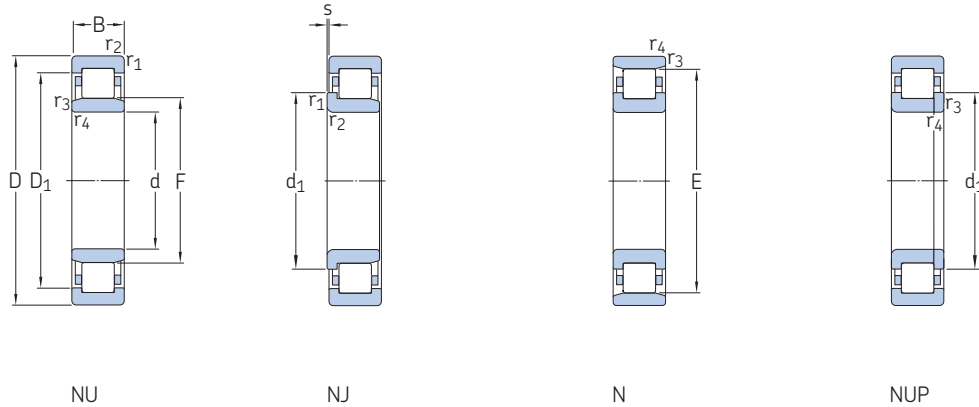


Angle ring

Dimensions				Abutment and fillet dimensions									Calculation factor k_r	Angle ring Designation	Mass	Dimensions	
d	d_1	D_1	F, E	$r_{1,2}$	$r_{3,4}$	s	d_a	d_a	d_b, D_a	D_a	r_a	r_b				B_1	B_2
mm	mm	mm	mm	mm	mm	mm	mm	mm	mm	mm	mm	mm	mm	mm	mm	mm	
55 cont.	77,5	100,3	70,5	2	2	-	65	-	80	109,2	2	-	0,15	-	-	-	-
	77,5	100,3	70,5	2	2	3,5	65	68	80	109,2	2	-	0,25	HJ 2311 EC	0,19	9	15,5
	-	100,3	70,5	2	2	3,5	65	68	73	109,2	2	2	0,25	HJ 2311 EC	0,19	9	15,5
	77,5	100,3	70,5	2	2	-	65	-	80	109,2	2	-	0,25	-	-	-	-
	-	109,45	77,2	2,1	2,1	2,6	69	74	79	126	2	2	0,15	-	-	-	-
-	85,2	109,45	77,2	2,1	2,1	2,6	69	74	88	126	2	-	0,15	-	-	-	-
60	-	81,8	69,5	1,1	1	2,9	64,6	68	71	88	1	1	0,15	-	-	-	-
	77,5	-	100	1,5	1,5	1,4	68	98	102	103	1,5	1,5	0,12	-	-	-	-
	-	95	72	1,5	1,5	1,4	68	70	74	101	1,5	1,5	0,15	HJ 212 EC	0,1	6	10
	77,5	95	72	1,5	1,5	1,4	68	70	80	101	1,5	-	0,15	HJ 212 EC	0,1	6	10
	77,5	95	72	1,5	1,5	-	68	-	80	101	1,5	-	0,15	-	-	-	-
	-	95	72	1,5	1,5	1,4	68	70	74	101	1,5	1,5	0,2	HJ 212 EC	0,1	6	10
	77,5	95	72	1,5	1,5	1,4	68	70	80	101	1,5	-	0,2	HJ 212 EC	0,1	6	10
	77,5	95	72	1,5	1,5	-	68	-	80	101	1,5	-	0,2	-	-	-	-
	84,3	-	115	2,1	2,1	2,1	72	113	118	119	2	2	0,12	-	-	-	-
	-	108,5	77	2,1	2,1	2,1	72	74	79	118,1	2	2	0,15	HJ 312 EC	0,23	9	14,5
	84,3	108,5	77	2,1	2,1	2,1	72	74	87	118,1	2	-	0,15	HJ 312 EC	0,23	9	14,5
	84,3	108,5	77	2,1	2,1	-	72	-	87	118,1	2	-	0,15	-	-	-	-
	-	108,5	77	2,1	2,1	3,6	72	74	79	118,1	2	2	0,25	HJ 2312 EC	0,24	9	16
	84,3	108,5	77	2,1	2,1	3,6	72	74	87	118,1	2	-	0,25	HJ 2312 EC	0,24	9	16
	84,3	108,5	77	2,1	2,1	-	72	-	87	118,1	2	-	0,25	-	-	-	-
-	118,5	83	2,1	2,1	2,5	74	80	85	136	2	2	0,15	-	-	-	-	
91,8	118,5	83	2,1	2,1	2,5	74	80	94	136	2	-	0,15	-	-	-	-	
65	-	86,6	74,5	1,1	1	2,9	69,6	72	76	94	1	1	0,15	-	-	-	-
	-	88,5	74	1,1	1	1	69,6	72	76	94	1	1	0,1	-	-	-	-
	-	103,2	78,5	1,5	1,5	1,4	74	76	81	110,6	1,5	1,5	0,15	HJ 213 EC	0,12	6	10
	84,4	-	108,5	1,5	1,5	1,4	74	106	111	112	1,5	1,5	0,12	-	-	-	-
	84,4	103,2	78,5	1,5	1,5	1,4	74	76	87	110,6	1,5	-	0,15	HJ 213 EC	0,12	6	10
	84,4	103,2	78,5	1,5	1,5	-	76	-	87	110,6	1,5	-	0,15	-	-	-	-
	-	103,2	78,5	1,5	1,5	1,9	74	76	81	110,6	1,5	1,5	0,2	HJ 2213 EC	0,12	6	10,5
	84,4	103,2	78,5	1,5	1,5	1,9	74	76	87	110,6	1,5	-	0,2	HJ 2213 EC	0,12	6	10,5
	84,4	103,2	78,5	1,5	1,5	-	74	-	87	110,6	1,5	-	0,2	-	-	-	-
	90,5	-	124,5	2,1	2,1	2,2	77	122	127	129	2	2	0,12	-	-	-	-
	-	117,4	82,5	2,1	2,1	2,2	77	80	85	127,8	2	2	0,15	HJ 313 EC	0,27	10	15,5
	90,5	117,4	82,5	2,1	2,1	2,2	77	80	93	127,8	2	-	0,15	HJ 313 EC	0,27	10	15,5

6.1 Single row cylindrical roller bearings

d 65 – 75 mm



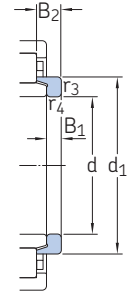
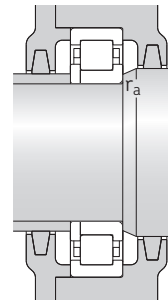
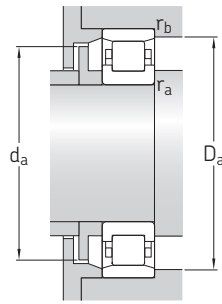
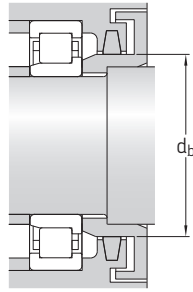
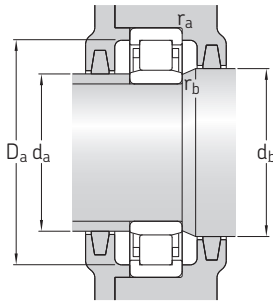
Principal dimensions			Basic load ratings		Fatigue load limit	Speed ratings		Mass	Designations Bearing with standard cage	Alternative standard cage ¹⁾
d	D	B	C	C ₀		Reference speed	Limiting speed			
mm			kN		kN	r/min	kg	–		
65 cont.	140	33	212	196	25,5	5 300	6 000	2,35	▶ NUP 313 ECP	J, M, ML, PH
	140	48	285	290	38	5 300	6 000	3,2	▶ NU 2313 ECP	ML, PH
	140	48	285	290	38	5 300	6 000	3,35	▶ NJ 2313 ECP	ML, PH
70	140	48	285	290	38	5 300	6 000	3,45	▶ NUP 2313 ECP	ML, PH
	160	37	183	190	24	4 800	5 600	3,55	▶ NU 413	–
	160	37	183	190	24	4 800	5 600	3,65	▶ NJ 413	–
	110	20	56,1	67	8	7 000	11 000	0,7	▶ NU 1014 ML	–
	110	20	76,5	93	12	7 000	7 000	0,61	▶ NU 1014 ECP	–
	125	24	137	137	18	6 000	6 300	1,1	▶ N 214 ECP	M
	125	24	137	137	18	6 000	6 300	1,15	▶ NU 214 ECP	J, M, ML, PH
	125	24	137	137	18	6 000	6 300	1,2	▶ NJ 214 ECP	J, M, ML, PH
	125	24	137	137	18	6 000	6 300	1,2	▶ NUP 214 ECP	J, M, ML, PH
	125	31	180	193	25,5	6 000	6 300	1,5	▶ NJ 2214 ECP	J, M, ML, PH
	125	31	180	193	25,5	6 000	6 300	1,5	▶ NU 2214 ECP	J, M, ML, PH
	125	31	180	193	25,5	6 000	6 300	1,55	▶ NUP 2214 ECP	J, M, ML, PH
75	150	35	236	228	29	4 800	5 600	2,65	▶ N 314 ECP	M
	150	35	236	228	29	4 800	5 600	2,7	▶ NU 314 ECP	J, M, ML, PH
	150	35	236	228	29	4 800	5 600	2,75	▶ NJ 314 ECP	J, M, ML, PH
	150	35	236	228	29	4 800	5 600	2,85	▶ NUP 314 ECP	J, M, ML, PH
	150	51	315	325	41,5	4 800	5 600	3,95	▶ NU 2314 ECP	ML, PH
	150	51	315	325	41,5	4 800	5 600	4	▶ NJ 2314 ECP	ML, PH
	150	51	315	325	41,5	4 800	5 600	4,15	▶ NUP 2314 ECP	ML, PH
	180	42	229	240	30	4 300	5 000	5,25	▶ NU 414	MA
	180	42	229	240	30	4 300	5 000	5,45	▶ NJ 414	MA
	115	20	58,3	71	8,5	6 700	10 000	0,75	▶ NU 1015 ML	M
	130	25	150	156	20,4	5 600	6 000	1,2	▶ N 215 ECP	–
	130	25	150	156	20,4	5 600	6 000	1,25	▶ NU 215 ECP	J, M, ML, PH
75	130	25	150	156	20,4	5 600	6 000	1,3	▶ NJ 215 ECP	J, M, ML, PH
	130	25	150	156	20,4	5 600	6 000	1,3	▶ NUP 215 ECP	J, M, ML, PH
	130	31	186	208	27	5 600	6 000	1,6	▶ NJ 2215 ECP	J, ML, PH
	130	31	186	208	27	5 600	6 000	1,6	▶ NU 2215 ECP	J, ML, PH
	130	31	186	208	27	5 600	6 000	1,6	▶ NUP 2215 ECP	J, ML, PH
	160	37	280	265	33,5	4 500	5 300	3,3	▶ N 315 ECP	M

SKF Explorer bearing

▶ Popular item

¹⁾ When ordering bearings with an alternative standard cage the suffix of the standard cage has to be replaced by the suffix of the alternative cage.

For example NU...ECP becomes NU...ECML (for permissible speed → page 511).



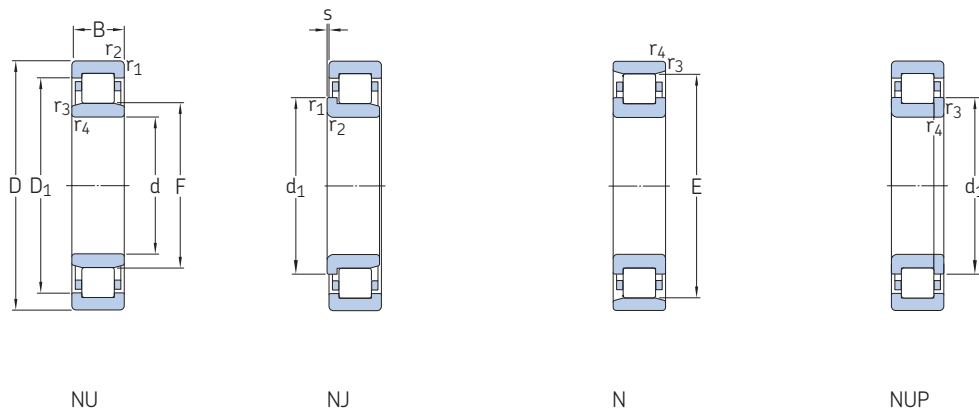
Angle ring

Dimensions				Abutment and fillet dimensions									Calculation factor k_r	Angle ring Designation	Mass	Dimensions	
d	$d_1 \approx$	$D_1 \approx$	F, E	$r_{1,2}$ min.	$r_{3,4}$ min.	s max.	d_a min.	d_a max.	d_b, D_a min.	D_a max.	r_a max.	r_b max.				B_1	B_2
mm													-	-	kg	mm	
65 cont.	90,5	117,4	82,5	2,1	2,1	-	77	-	93	127,8	2	-	0,15	-	-	-	-
	-	117,4	82,5	2,1	2,1	4,7	77	80	85	127,8	2	2	0,25	HJ 2313 EC	0,3	10	18
	90,5	117,4	82,5	2,1	2,1	4,7	77	80	93	127,8	2	-	0,25	HJ 2313 EC	0,3	10	18
65	90,5	117,4	82,5	2,1	2,1	-	77	-	93	127,8	2	-	0,25	-	-	-	-
	-	126,85	89,3	2,1	2,1	2,6	78	86	91	146	2	2	0,15	HJ 413	0,42	11	18
	98,5	126,85	89,3	2,1	2,1	2,6	78	86	101	146	2	-	0,15	HJ 413	0,42	11	18
70	-	95,7	80	1,1	1	3	74,6	78	82	104	1	1	0,15	-	-	-	-
	-	97,55	79,5	1,1	1	1,3	74,6	78	82	104	1	1	0,1	HJ 1014 EC	0,082	5	10
	89,4	-	113,5	1,5	1,5	1,2	79	111	116	117	1,5	1,5	0,12	-	-	-	-
70	-	108,3	83,5	1,5	1,5	1,2	79	81	86	115,4	1,5	1,5	0,15	HJ 214 EC	0,15	7	11
	89,4	108,3	83,5	1,5	1,5	1,2	79	81	92	115,4	1,5	-	0,15	HJ 214 EC	0,15	7	11
	89,4	108,3	83,5	1,5	1,5	-	79	-	92	115,4	1,5	-	0,15	-	-	-	-
70	89,4	108,2	83,5	1,5	1,5	1,7	79	81	92	115,4	1,5	-	0,2	HJ 2214 EC	0,15	7	11,5
	-	108,2	83,5	1,5	1,5	1,7	79	81	86	115,4	1,5	1,5	0,2	HJ 2214 EC	0,15	7	11,5
	89,4	108,2	83,5	1,5	1,5	-	79	-	92	115,4	1,5	-	0,2	-	-	-	-
70	97,3	-	133	2,1	2,1	1,8	82	130	136	138	2	2	0,12	-	-	-	-
	-	125,6	89	2,1	2,1	1,8	82	86	92	137,5	2	2	0,15	HJ 314 EC	0,32	10	15,5
	97,3	125,6	89	2,1	2,1	1,8	82	86	100	137,5	2	-	0,15	HJ 314 EC	0,32	10	15,5
70	97,3	125,6	89	2,1	2,1	-	82	-	100	137,5	2	-	0,15	-	-	-	-
	-	125,6	89	2,1	2,1	4,8	82	86	92	137,5	2	2	0,25	HJ 2314 EC	0,35	10	18,5
	97,3	125,6	89	2,1	2,1	4,8	82	86	100	137,5	2	-	0,25	HJ 2314 EC	0,35	10	18,5
70	97,3	125,6	89	2,1	2,1	-	82	-	100	137,5	2	-	0,25	-	-	-	-
	-	141	100	3	3	3,5	87	97	102	164	2,5	2,5	0,15	HJ 414	0,61	12	20
	110	141	100	3	3	3,5	87	97	113	164	2,5	-	0,15	HJ 414	0,61	12	20
75	-	100,4	85	1,1	1	3	80	83	87	109	1	1	0,15	-	-	-	-
	94,3	-	118,5	1,5	1,5	1,2	84	116	121	122	1,5	1,5	0,12	-	-	-	-
	-	113,3	88,5	1,5	1,5	1,2	84	86	91	121,5	1,5	1,5	0,15	HJ 215 EC	0,16	7	11
75	94,3	113,3	88,5	1,5	1,5	1,2	84	86	97	121,5	1,5	-	0,15	HJ 215 EC	0,16	7	11
	94,3	113,3	88,5	1,5	1,5	-	84	-	97	121,5	1,5	-	0,15	-	-	-	-
	94,3	113,2	88,5	1,5	1,5	1,7	84	86	97	121,5	1,5	-	0,2	-	-	-	-
75	-	113,2	88,5	1,5	1,5	1,7	84	86	91	121,5	1,5	1,5	0,2	-	-	-	-
	94,3	113,2	88,5	1,5	1,5	-	84	-	97	121,5	1,5	-	0,2	-	-	-	-
	104	-	143	2,1	2,1	1,8	87	140	146	148	2	2	0,12	-	-	-	-



6.1 Single row cylindrical roller bearings

d 75 – 85 mm



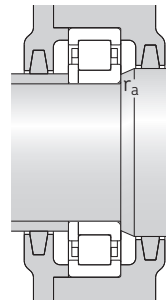
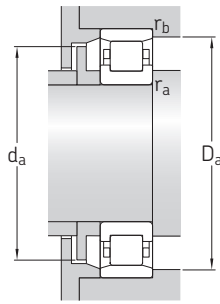
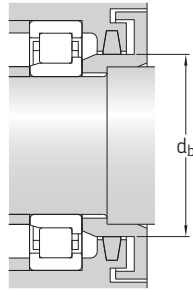
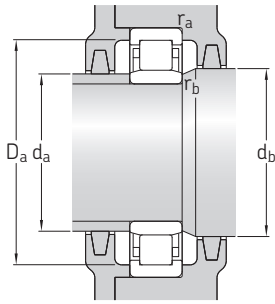
Principal dimensions			Basic load ratings		Fatigue load limit	Speed ratings		Mass	Designations Bearing with standard cage	Alternative standard cage ¹⁾	
d	D	B	C	C ₀		Reference speed	Limiting speed				
mm			kN		kN	r/min	kg	–			
75 cont.	160	37	280	265	33,5	4 500	5 300	3,3	▶ NU 315 ECP	J, M, ML, PH	
	160	37	280	265	33,5	4 500	5 300	3,35	▶ NJ 315 ECP	J, M, ML, PH	
	160	37	280	265	33,5	4 500	5 300	3,45	▶ NUP 315 ECP	J, M, ML, PH	
	160	55	380	400	50	4 500	5 300	4,8	▶ NU 2315 ECP	J, ML	
	160	55	380	400	50	4 500	5 300	5	▶ NJ 2315 ECP	J, ML	
	160	55	380	400	50	4 500	5 300	5,1	▶ NUP 2315 ECP	J, ML	
	190	45	264	280	34	4 000	4 800	6,2	NU 415	–	
	190	45	264	280	34	4 000	4 800	6,4	NJ 415	–	
	80	125	22	64,4	78	9,8	6 300	6 300	0,88	▶ NU 1016	–
		125	22	99	127	16,3	6 000	9 500	1,05	▶ NJ 1016 ECML	M
		140	26	160	166	21,2	5 300	5 600	1,55	▶ N 216 ECP	–
		140	26	160	166	21,2	5 300	5 600	1,55	▶ NJ 216 ECP	J, M, ML, PH
140		26	160	166	21,2	5 300	5 600	1,55	▶ NU 216 ECP	J, M, ML, PH	
140		26	160	166	21,2	5 300	5 600	1,55	▶ NUP 216 ECP	J, M, ML, PH	
140		33	212	245	31	5 300	5 600	1,95	▶ NU 2216 ECP	J, M, ML, PH	
140		33	212	245	31	5 300	5 600	2	▶ NUP 2216 ECP	J, M, ML, PH	
140		33	212	245	31	5 300	5 600	2,05	▶ NJ 2216 ECP	J, M, ML, PH	
170		39	300	290	36	4 300	5 000	3,85	▶ NU 316 ECP	J, M, ML, PH	
170		39	300	290	36	4 300	5 000	3,9	▶ N 316 ECP	M	
170		39	300	290	36	4 300	5 000	4	▶ NJ 316 ECP	J, M, ML, PH	
170		39	300	290	36	4 300	5 000	4,1	▶ NUP 316 ECP	J, M, ML, PH	
170		58	415	440	55	4 300	5 000	5,75	▶ NU 2316 ECP	M, ML	
170		58	415	440	55	4 300	5 000	5,95	▶ NJ 2316 ECP	M, ML	
170		58	415	440	55	4 300	5 000	6	NUP 2316 ECP	M, ML	
200		48	303	320	39	3 800	4 500	7,25	▶ NU 416	–	
200		48	303	320	39	3 800	4 500	7,55	NJ 416	–	
85	130	22	68,2	86,5	10,8	6 000	9 000	1,05	▶ NU 1017 ML	–	
	130	22	68,2	86,5	10,8	6 000	9 000	1,1	NJ 1017 ML	–	
	130	22	68,2	86,5	10,8	6 000	9 000	1,1	NUP 1017 ML	–	
	150	28	190	200	25	4 800	5 300	1,9	▶ N 217 ECP	M	
	150	28	190	200	25	4 800	5 300	1,9	▶ NJ 217 ECP	J, M, ML	
	150	28	190	200	25	4 800	5 300	1,9	▶ NU 217 ECP	J, M, ML	
	150	28	190	200	25	4 800	5 300	1,9	▶ NUP 217 ECP	J, M, ML	
	150	36	250	280	34,5	4 800	5 300	2,5	▶ NU 2217 ECP	J, M, ML, PH	
	150	36	250	280	34,5	4 800	5 300	2,55	▶ NJ 2217 ECP	J, M, ML, PH	

SKF Explorer bearing

▶ Popular item

¹⁾ When ordering bearings with an alternative standard cage the suffix of the standard cage has to be replaced by the suffix of the alternative cage.

For example NU...ECP becomes NU...ECML (for permissible speed → page 511).

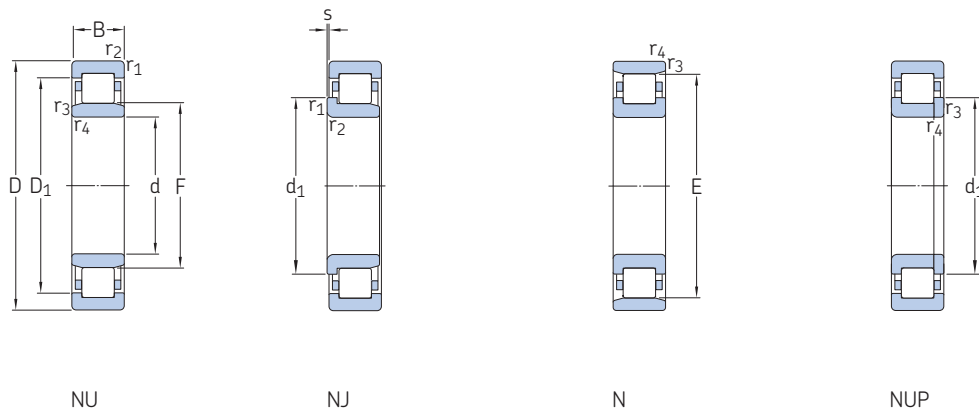


Angle ring

Dimensions				Abutment and fillet dimensions									Calculation factor k_r	Angle ring Designation	Mass	Dimensions		
d	$d_1 \approx$	$D_1 \approx$	F, E	$r_{1,2}$ min.	$r_{3,4}$ min.	s max.	d_a min.	d_a max.	d_b, D_a min.	D_a max.	r_a max.	r_b max.				B_1	B_2	
mm														-	-	kg	mm	
75 cont.	-	135	95	2,1	2,1	1,8	87	92	97	148	2	2	0,15	HJ 315 EC	0,39	11	16,5	
	104	135	95	2,1	2,1	1,8	87	92	107	148	2	-	0,15	HJ 315 EC	0,39	11	16,5	
	104	135	95	2,1	2,1	-	87	-	107	148	2	-	0,15	-	-	-	-	
	-	135	95	2,1	2,1	4,8	87	92	97	148	2	2	0,25	HJ 2315 EC	0,42	11	19,5	
	104	135	95	2,1	2,1	4,8	87	92	107	148	2	-	0,25	HJ 2315 EC	0,42	11	19,5	
	104	135	95	2,1	2,1	-	87	-	107	148	2	-	0,25	-	-	-	-	
	-	149,1	104,5	3	3	3,8	91	101	107	174	2,5	2,5	0,15	HJ 415	0,71	13	21,5	
	116	149,1	104,5	3	3	3,8	91	101	119	174	2,5	-	0,15	HJ 415	0,71	13	21,5	
80	-	108,55	91,5	1,1	1	3,3	86	90	94	119	1	1	0,1	-	-	-	-	
	96,2	111,6	91,5	1,1	1	1,5	86	90	99	119	1	-	0,15	-	-	-	-	
	101	-	127,3	2	2	1,4	90	125	130	131	2	2	0,12	-	-	-	-	
	101	121,7	95,3	2	2	1,4	90	93	104	129,8	2	-	0,15	HJ 216 EC	0,21	8	12,5	
	-	121,7	95,3	2	2	1,4	90	93	98	129,8	2	2	0,15	HJ 216 EC	0,21	8	12,5	
	101	121,7	95,3	2	2	-	90	-	104	129,8	2	-	0,15	-	-	-	-	
	-	121,7	95,3	2	2	1,4	90	93	98	129,8	2	2	0,2	HJ 216 EC	0,21	8	12,5	
	101	121,7	95,3	2	2	-	90	-	104	129,8	2	-	0,2	-	-	-	-	
	101	121,7	95,3	2	2	1,4	90	93	104	129,8	2	-	0,2	HJ 216 EC	0,21	8	12,5	
	-	142,7	101	2,1	2,1	2,1	92	98	104	157,8	2	2	0,15	HJ 316 EC	0,44	11	17	
	110	-	151	2,1	2,1	2,1	92	148	154	157	2	2	0,12	-	-	-	-	
	110	142,7	101	2,1	2,1	2,1	92	98	113	157,8	2	-	0,15	HJ 316 EC	0,44	11	17	
	110	142,7	101	2,1	2,1	-	92	-	113	157,8	2	-	0,15	-	-	-	-	
	-	142,7	101	2,1	2,1	5,1	92	98	104	157,8	2	2	0,25	HJ 2316 EC	0,48	11	20	
	110	142,7	101	2,1	2,1	5,1	92	98	113	157,8	2	-	0,25	HJ 2316 EC	0,48	11	20	
	110	142,7	101	2,1	2,1	-	92	-	113	157,8	2	-	0,25	-	-	-	-	
	-	158,1	110	3	3	3,7	96	107	112	184	2,5	2,5	0,15	HJ 416	0,8	13	22	
	122	158,1	110	3	3	3,7	96	107	125	184	2,5	-	0,15	HJ 416	0,8	13	22	
85	-	114	96,5	1,1	1	3,3	91	94	99	123	1	1	0,15	-	-	-	-	
	101	114	96,5	1,1	1	3,3	91	94	104	123	1	-	0,15	-	-	-	-	
	101	114	96,5	1,1	1	-	91	-	104	123	1	-	0,15	-	-	-	-	
	107	-	136,5	2	2	1,5	96	134	139	140	2	2	0,12	-	-	-	-	
	107	130,3	100,5	2	2	1,5	96	98	110	138,5	2	-	0,15	HJ 217 EC	0,24	8	12,5	
	-	130,3	100,5	2	2	1,5	96	98	103	138,5	2	2	0,15	HJ 217 EC	0,24	8	12,5	
	107	130,3	100,5	2	2	-	96	-	110	138,5	2	-	0,15	-	-	-	-	
	-	130,3	100,5	2	2	2	96	98	103	138,5	2	2	0,2	-	-	-	-	
	107	130,3	100,5	2	2	2	96	98	110	138,5	2	-	0,2	-	-	-	-	

6.1 Single row cylindrical roller bearings

d 85 – 95 mm



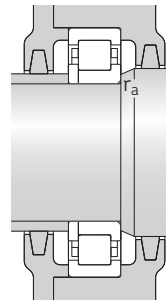
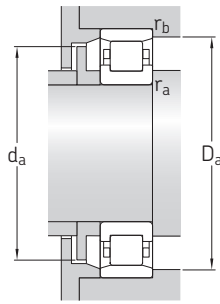
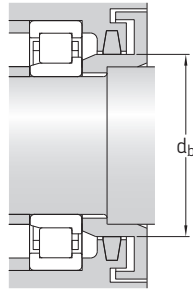
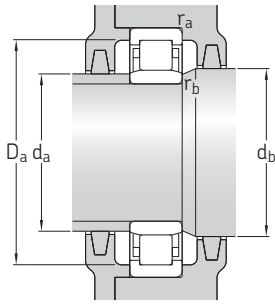
Principal dimensions			Basic load ratings		Fatigue load limit	Speed ratings		Mass	Designations Bearing with standard cage	Alternative standard cage ¹⁾	
d	D	B	C	C ₀		Reference speed	Limiting speed				
mm			kN		kN	r/min	kg	–			
85 cont.	150	36	250	280	34,5	4 800	5 300	2,6	▶ NUP 2217 ECP	J, M, ML, PH	
	180	41	340	335	41,5	4 000	4 800	4,55	▶ N 317 ECP	M	
	180	41	340	335	41,5	4 000	4 800	4,65	▶ NU 317 ECP	J, M, ML, PH	
	180	41	340	335	41,5	4 000	4 800	4,8	▶ NJ 317 ECP	J, M, ML, PH	
	180	41	340	335	41,5	4 000	4 800	4,9	▶ NUP 317 ECP	J, M, ML, PH	
	180	60	455	490	60	4 000	4 800	6,85	▶ NU 2317 ECP	J, M, ML	
	180	60	455	490	60	4 000	4 800	7	▶ NJ 2317 ECP	J, M, ML	
	180	60	455	490	60	4 000	4 800	7	▶ NUP 2317 ECP	J, M, ML	
	90	140	24	80,9	104	12,7	5 600	8 500	1,35	▶ NU 1018 ML	M
		140	24	80,9	104	12,7	5 600	8 500	1,4	▶ NJ 1018 ML	M
160		30	208	220	27	4 500	5 000	2,3	▶ N 218 ECP	M	
160		30	208	220	27	4 500	5 000	2,3	▶ NJ 218 ECP	J, M, ML	
160		30	208	220	27	4 500	5 000	2,3	▶ NU 218 ECP	J, M, ML	
160		30	208	220	27	4 500	5 000	2,45	▶ NUP 218 ECP	J, M, ML	
160		40	280	315	39	4 500	5 000	3,15	▶ NU 2218 ECP	J, M, ML	
160		40	280	315	39	4 500	5 000	3,25	▶ NJ 2218 ECP	J, M, ML	
160		40	280	315	39	4 500	5 000	3,3	▶ NUP 2218 ECP	J, M, ML	
190		43	365	360	43	3 800	4 500	5,25	▶ NU 318 ECP	J, M, ML	
190		43	365	360	43	3 800	4 500	5,3	▶ N 318 ECP	M	
190		43	365	360	43	3 800	4 500	5,45	▶ NJ 318 ECP	J, M, ML	
190		43	365	360	43	3 800	4 500	5,55	▶ NUP 318 ECJ	M, ML, P	
190		64	500	540	65,5	3 800	4 500	8	▶ NU 2318 ECP	J, M, ML	
190		64	500	540	65,5	3 800	4 500	8,15	▶ NJ 2318 ECP	J, M, ML	
190	64	500	540	65,5	3 800	4 500	8,25	▶ NUP 2318 ECP	J, M, ML		
225	54	380	415	48	3 400	4 000	10	▶ NU 418	M		
95	145	24	84,2	110	13,2	5 300	8 000	1,45	▶ NU 1019 ML	–	
	170	32	255	265	32,5	4 300	4 800	2,85	▶ N 219 ECP	–	
	170	32	255	265	32,5	4 300	4 800	2,85	▶ NU 219 ECP	J, M, ML	
	170	32	255	265	32,5	4 300	4 800	2,9	▶ NJ 219 ECP	J, M, ML	
	170	32	255	265	32,5	4 300	4 800	2,9	▶ NUP 219 ECP	J, M, ML	
	170	43	325	375	45,5	4 300	4 800	3,8	▶ NU 2219 ECP	J, ML	
	170	43	325	375	45,5	4 300	4 800	3,95	▶ NJ 2219 ECP	J, ML	
	170	43	325	375	45,5	4 300	4 800	4	▶ NUP 2219 ECP	J, ML	
	200	45	390	390	46,5	3 600	4 300	6,2	▶ N 319 ECP	M	

SKF Explorer bearing

▶ Popular item

¹⁾ When ordering bearings with an alternative standard cage the suffix of the standard cage has to be replaced by the suffix of the alternative cage.

For example NU...ECP becomes NU...ECML (for permissible speed → page 511).



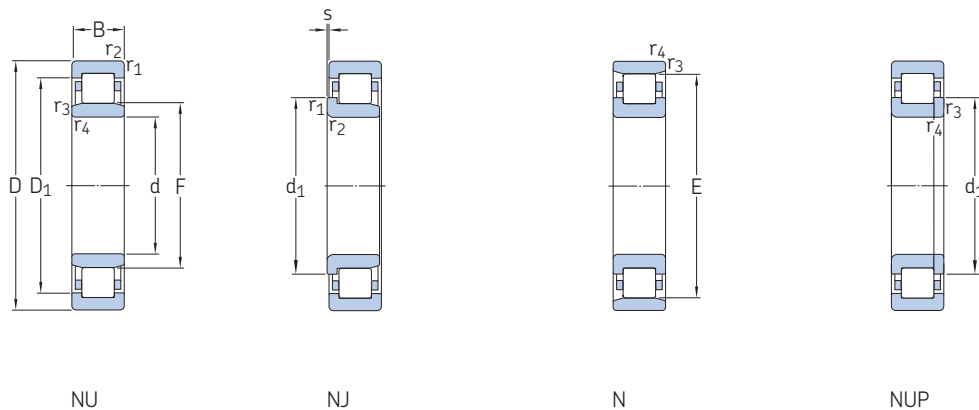
Angle ring

Dimensions				Abutment and fillet dimensions									Calculation factor k_r	Angle ring Designation	Mass	Dimensions		
d	d_1	D_1	F, E	$r_{1,2}$ min.	$r_{3,4}$ min.	s max.	d_a min.	d_a max.	d_b, D_a min.	D_a max.	r_a max.	r_b max.				B_1	B_2	
mm													-	-	kg	mm		
85 cont.	107	130,3	100,5	2	2	-	96	-	110	138,5	2	-	0,2	-	-	-	-	
	117	-	160	3	3	2,3	99	157	163	166	2,5	2,5	0,12	-	-	-	-	
	-	151,4	108	3	3	2,3	99	105	111	165,5	2,5	2,5	0,15	HJ 317 EC	0,55	12	18,5	
	117	151,4	108	3	3	2,3	99	105	120	165,5	2,5	-	0,15	HJ 317 EC	0,55	12	18,5	
	117	151,4	108	3	3	-	99	-	120	165,5	2,5	-	0,15	-	-	-	-	
	-	151,4	108	3	3	5,8	99	105	111	165,5	2,5	2,5	0,25	HJ 2317 EC	0,59	12	22	
85	117	151,4	108	3	3	5,8	99	105	120	165,5	2,5	-	0,25	HJ 2317 EC	0,59	12	22	
	117	151,4	108	3	3	-	99	-	120	165,5	2,5	-	0,25	-	-	-	-	
	90	-	122,1	103	1,5	1,1	3,5	96	101	106	133	1,5	1	0,15	-	-	-	-
		108	122,1	103	1,5	1,1	3,5	96	101	111	133	1,5	-	0,15	-	-	-	-
		114	-	145	2	2	1,8	101	142	148	149	2	2	0,12	-	-	-	-
	114	138,45	107	2	2	1,8	101	104	117	149	2	-	0,15	HJ 218 EC	0,31	9	14	
-	138,45	107	2	2	1,8	101	104	110	149	2	2	0,15	HJ 218 EC	0,31	9	14		
114	138,45	107	2	2	-	101	-	117	149	2	-	0,15	-	-	-	-		
90	-	138,5	107	2	2	2,6	101	104	110	149	2	2	0,2	HJ 2218 EC	0,31	9	15	
	114	138,5	107	2	2	2,6	101	104	117	149	2	-	0,2	HJ 2218 EC	0,31	9	15	
	114	138,5	107	2	2	-	101	-	117	149	2	-	0,2	-	-	-	-	
	-	160,3	113,5	3	3	2,5	104	110	116	175,3	2,5	2,5	0,15	HJ 318 EC	0,62	12	18,5	
	124	-	169,5	3	3	2,5	104	166	173	175	2,5	2,5	0,12	-	-	-	-	
	124	160,3	113,5	3	3	2,5	104	110	127	175,3	2,5	-	0,15	HJ 318 EC	0,62	12	18,5	
90	124	160,3	113,5	3	3	-	104	-	127	175,3	2,5	-	0,15	-	-	-	-	
	-	160,3	113,5	3	3	6	104	110	116	175,3	2,5	2,5	0,25	HJ 2318 EC	0,66	12	22	
	124	160,3	113,5	3	3	6	104	110	127	175,3	2,5	-	0,25	HJ 2318 EC	0,66	12	22	
	124	160,3	113,5	3	3	-	104	-	127	175,3	2,5	-	0,25	-	-	-	-	
	-	179,5	123,5	4	4	4,9	108	120	126	205	3	3	0,15	-	-	-	-	
	124	160,3	113,5	3	3	-	104	-	127	175,3	2,5	-	0,25	-	-	-	-	
95	-	127,1	108	1,5	1,1	3,5	101	106	111	138	1,5	1	0,15	-	-	-	-	
	120	-	154,5	2,1	2,1	1,7	107	152	157	159	2	2	0,12	-	-	-	-	
	-	147,4	112,5	2,1	2,1	1,7	107	110	115	157,8	2	2	0,15	HJ 219 EC	0,33	9	14	
	120	147,4	112,5	2,1	2,1	1,7	107	110	123	157,8	2	-	0,15	HJ 219 EC	0,33	9	14	
	120	147,4	112,5	2,1	2,1	-	107	-	123	157,8	2	-	0,15	-	-	-	-	
	-	147,4	112,5	2,1	2,1	3	107	110	115	157,8	2	2	0,2	-	-	-	-	
95	120	147,4	112,5	2,1	2,1	3	107	110	123	157,8	2	-	0,2	-	-	-	-	
	120	147,4	112,5	2,1	2,1	-	107	-	123	157,8	2	-	0,2	-	-	-	-	
	132	-	177,5	3	3	2,9	110	174	181	185	2,5	2,5	0,12	-	-	-	-	
	120	147,4	112,5	2,1	2,1	-	107	-	123	157,8	2	-	0,2	-	-	-	-	



6.1 Single row cylindrical roller bearings

d 95 – 105 mm



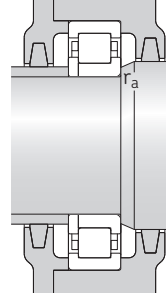
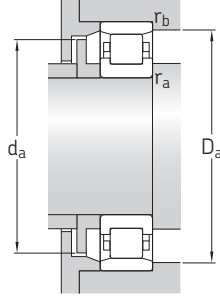
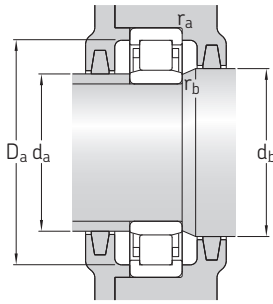
Principal dimensions			Basic load ratings		Fatigue load limit	Speed ratings		Mass	Designations Bearing with standard cage	Alternative standard cage ¹⁾	
d	D	B	C	C ₀		Reference speed	Limiting speed				
mm			kN		kN	r/min	kg	–			
95 cont.	200	45	390	390	46,5	3 600	4 300	6,2	▶ NU 319 ECP	J, M, ML	
	200	45	390	390	46,5	3 600	4 300	6,3	▶ NJ 319 ECP	J, M, ML	
	200	45	390	390	46,5	3 600	4 300	6,3	▶ NUP 319 ECP	J, M, ML	
	200	67	530	585	69,5	3 600	4 300	9,35	▶ NU 2319 ECP	J, ML	
	200	67	530	585	69,5	3 600	4 300	9,55	▶ NJ 2319 ECJ	ML, P	
	200	67	530	585	69,5	3 600	4 300	9,7	▶ NUP 2319 ECJ	ML, P	
	240	55	413	455	52	3 200	3 600	13,5	▶ NU 419 M	–	
	100	150	24	85,8	114	13,7	5 000	7 500	1,45	▶ NU 1020 ML	M
		180	34	285	305	36,5	4 000	4 500	3,35	▶ NU 220 ECP	J, M, ML
180		34	285	305	36,5	4 000	4 500	3,45	▶ N 220 ECP	–	
180		34	285	305	36,5	4 000	4 500	3,45	▶ NJ 220 ECP	J, M, ML	
180		34	285	305	36,5	4 000	4 500	3,6	▶ NUP 220 ECP	J, M, ML	
180		46	380	450	54	4 000	4 500	4,75	▶ NU 2220 ECP	J, M, ML, PH	
180		46	380	450	54	4 000	4 500	4,8	▶ NJ 2220 ECP	J, M, ML, PH	
180		46	380	450	54	4 000	4 500	4,8	▶ NUP 2220 ECP	J, M, ML, PH	
215		47	450	440	51	3 200	3 800	7,35	▶ N 320 ECP	M	
215		47	450	440	51	3 200	3 800	7,45	▶ NU 320 ECP	J, M, ML	
215		47	450	440	51	3 200	3 800	7,65	▶ NJ 320 ECJ	M, ML, P	
215		47	450	440	51	3 200	3 800	7,7	▶ NUP 320 ECJ	M, ML, P	
215		73	670	735	85	3 200	3 800	12	▶ NJ 2320 ECJ	M, ML, P	
215		73	670	735	85	3 200	3 800	12	▶ NU 2320 ECP	J, M, ML	
215		73	670	735	85	3 200	3 800	12,5	▶ NUP 2320 ECJ	M, ML, P	
250	58	457	520	58,5	3 000	3 600	15,5	▶ NU 420 M	–		
105	160	26	101	137	16	4 800	7 500	1,9	▶ NU 1021 ML	–	
	190	36	300	315	36,5	3 800	4 300	3,9	▶ N 221 ECP	–	
	190	36	300	315	36,5	3 800	4 300	3,95	▶ NU 221 ECP	J, ML	
	190	36	300	315	36,5	3 800	4 300	4	▶ NJ 221 ECP	J, ML	
	190	36	300	315	36,5	3 800	4 300	4,2	▶ NUP 221 ECP	J, ML	
	225	49	500	500	57	3 200	3 800	8,5	▶ NU 321 ECP	J, ML	
	225	49	500	500	57	3 200	3 800	8,6	▶ N 321 ECP	–	
	225	49	500	500	57	3 200	3 800	9,05	▶ NJ 321 ECP	J, ML	
	260	60	501	570	64	2 800	3 400	17,5	▶ NU 421 M	–	

SKF Explorer bearing

▶ Popular item

¹⁾ When ordering bearings with an alternative standard cage the suffix of the standard cage has to be replaced by the suffix of the alternative cage.

For example NU...ECP becomes NU...ECML (for permissible speed → page 511).

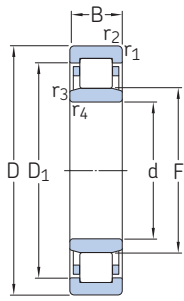


Angle ring

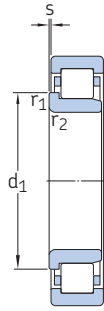
Dimensions				Abutment and fillet dimensions									Calculation factor k_r	Angle ring Designation	Mass	Dimensions		
d	$d_1 \approx$	$D_1 \approx$	F, E	$r_{1,2}$ min.	$r_{3,4}$ min.	s max.	d_a min.	d_a max.	d_b, D_a min.	D_a max.	r_a max.	r_b max.				B_1	B_2	
mm														-	-	kg	mm	
95 cont.	-	168,3	121,5	3	3	2,9	110	118	125	185	2,5	2,5	0,15	HJ 319 EC	0,78	13	20,5	
	132	168,3	121,5	3	3	2,9	110	118	135	185	2,5	-	0,15	HJ 319 EC	0,78	13	20,5	
	132	168,3	121,5	3	3	-	110	-	135	185	2,5	-	0,15	-	-	-	-	
	-	168,3	121,5	3	3	6,9	110	118	125	185	2,5	2,5	0,25	HJ 2319 EC	0,76	13	24,5	
	132	168,3	121,5	3	3	6,9	110	118	135	185	2,5	-	0,25	HJ 2319 EC	0,76	13	24,5	
	132	168,3	121,5	3	3	-	110	-	135	185	2,5	-	0,25	-	-	-	-	
100	-	188	133,5	4	4	5	114	130	136	220	3	3	0,15	-	-	-	-	
	-	132,1	113	1,5	1,1	3,5	106	111	116	143	1,5	1	0,15	-	-	-	-	
	-	155,6	119	2,1	2,1	1,7	113	116	122	167,5	2	2	0,15	HJ 220 EC	0,43	10	15	
	127	-	163	2,1	2,1	1,7	113	160	166	168	2	2	0,12	-	-	-	-	
	127	155,6	119	2,1	2,1	1,7	113	116	130	167,5	2	-	0,15	HJ 220 EC	0,43	10	15	
	127	155,6	119	2,1	2,1	-	113	-	130	167,5	2	-	0,15	-	-	-	-	
	-	155,6	119	2,1	2,1	2,5	113	116	122	167,5	2	2	0,2	HJ 2220 EC	0,43	10	16	
	127	155,6	119	2,1	2,1	2,5	113	116	130	167,5	2	-	0,2	HJ 2220 EC	0,43	10	16	
	127	155,6	119	2,1	2,1	-	113	-	130	167,5	2	-	0,2	-	-	-	-	
	139	-	191,5	3	3	2,9	114	188	195	200	2,5	2,5	0,12	-	-	-	-	
		-	181,1	127,5	3	3	2,9	114	124	131	199,6	2,5	2,5	0,15	HJ 320 EC	0,87	13	20,5
		139	181,1	127,5	3	3	2,9	114	124	142	199,6	2,5	-	0,15	HJ 320 EC	0,87	13	20,5
139		181,1	127,5	3	3	-	114	-	142	199,6	2,5	-	0,15	-	-	-	-	
	139	181,1	127,5	3	3	5,9	114	124	142	199,6	2,5	-	0,25	HJ 2320 EC	0,91	13	23,5	
	-	181,1	127,5	3	3	5,9	114	124	131	199,6	2,5	2,5	0,25	HJ 2320 EC	0,91	13	23,5	
	139	181,1	127,5	3	3	-	114	-	142	199,6	2,5	-	0,25	-	-	-	-	
105	-	197,45	139	4	4	4,9	119	135	142	230	3	3	0,15	HJ 420	1,5	16	27	
	-	140,8	119,5	2	1,1	3,8	111	117	122	151	2	1	0,15	-	-	-	-	
	134	-	173	2,1	2,1	2	117	170	176	178	2	2	0,12	-	-	-	-	
	-	164	125	2,1	2,1	2	117	122	128	177,3	2	2	0,15	HJ 221 EC	0,5	10	16	
	134	164	125	2,1	2,1	2	117	122	137	177,3	2	-	0,15	HJ 221 EC	0,5	10	16	
	134	164	125	2,1	2,1	-	117	-	137	177,3	2	-	0,15	-	-	-	-	
	-	189	133	3	3	3,4	119	129	136	209,4	2,5	2,5	0,15	-	-	-	-	
	145	-	201	3	3	3,4	119	198	205	210	2,5	2,5	0,12	-	-	-	-	
	145	189	133	3	3	3,4	119	129	148	209,4	2,5	-	0,15	-	-	-	-	
	-	206,3	144,5	4	4	4,9	124	140	147	241	3	3	0,15	-	-	-	-	

6.1 Single row cylindrical roller bearings

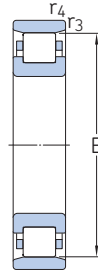
d 110 – 120 mm



NU



NJ



N



NUP

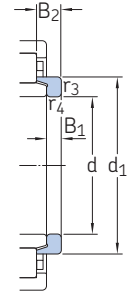
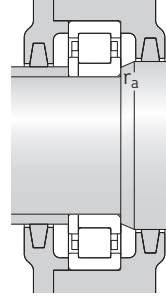
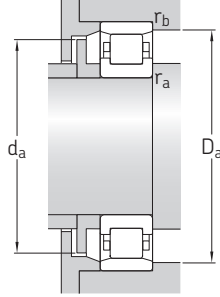
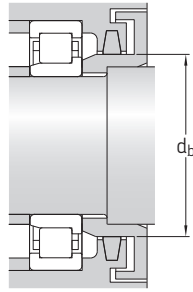
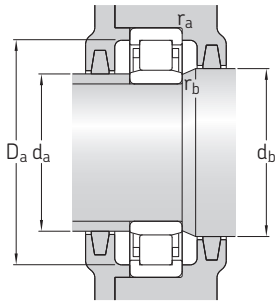
Principal dimensions			Basic load ratings		Fatigue load limit	Speed ratings		Mass	Designations Bearing with standard cage	Alternative standard cage ¹⁾
d	D	B	C	C ₀		Reference speed	Limiting speed			
mm			kN		kN	r/min	kg	–		
110	170	28	128	166	19,3	4 500	7 000	2,3	▶ NU 1022 ML	M
	200	38	335	365	42,5	3 600	4 000	4,7	▶ NU 222 ECP	J, M, ML
	200	38	335	365	42,5	3 600	4 000	4,8	▶ N 222 ECP	M
	200	38	335	365	42,5	3 600	4 000	4,8	▶ NJ 222 ECP	J, M, ML
	200	38	335	365	42,5	3 600	4 000	5	▶ NUP 222 ECP	J, M, ML
	200	53	440	520	61	3 600	4 000	6,7	▶ NJ 2222 ECP	J, ML
	200	53	440	520	61	3 600	4 000	6,7	▶ NU 2222 ECP	J, ML
	200	53	440	520	61	3 600	4 000	7	▶ NUP 2222 ECP	J, ML
	240	50	530	540	61	3 000	3 400	10	▶ N 322 ECP	M
	240	50	530	540	61	3 000	3 400	10,5	▶ NJ 322 ECJ	M, ML, P
	240	50	530	540	61	3 000	3 400	10,5	▶ NU 322 ECP	J, M, ML
	240	50	530	540	61	3 000	3 400	10,5	▶ NUP 322 ECP	J, M, ML
	240	80	780	900	102	3 000	3 400	17	▶ NJ 2322 ECP	ML
	240	80	780	900	102	3 000	3 400	17	▶ NU 2322 ECP	ML
	240	80	780	900	102	3 000	3 400	17,5	▶ NUP 2322 ECP	ML
280	65	550	630	69,5	2 600	3 200	22,5	NJ 422 M	–	
120	180	28	134	183	20,8	4 000	6 300	2,55	▶ NU 1024 ML	M
	215	40	390	430	49	3 400	3 600	5,75	▶ N 224 ECP	M
	215	40	390	430	49	3 400	3 600	5,75	▶ NU 224 ECP	J, M, ML
	215	40	390	430	49	3 400	3 600	5,85	▶ NJ 224 ECP	J, M, ML
	215	40	390	430	49	3 400	3 600	5,95	▶ NUP 224 ECJ	M, ML, P
	215	58	520	630	72	3 400	3 600	8,2	▶ NU 2224 ECP	J, M, ML
	215	58	520	630	72	3 400	3 600	8,65	▶ NJ 2224 ECJ	M, ML, P
	215	58	520	630	72	3 400	3 600	8,65	▶ NUP 2224 ECP	J, M, ML
	260	55	610	620	69,5	2 800	3 200	13	▶ N 324 ECP	M
	260	55	610	620	69,5	2 800	3 200	13	▶ NU 324 ECP	J, M, ML
	260	55	610	620	69,5	2 800	3 200	13,5	▶ NJ 324 ECJ	M, ML, P
	260	55	610	620	69,5	2 800	3 200	14	▶ NUP 324 ECP	J, M, ML
	260	86	915	1 040	116	2 800	5 000	22,5	▶ NU 2324 ECML	M
	260	86	915	1 040	116	2 800	5 000	23	▶ NJ 2324 ECML	M
	260	86	915	1 040	116	2 800	5 000	23,5	▶ NUP 2324 ECML	M
310	72	644	735	78	2 400	2 800	27,5	NU 424	M	

SKF Explorer bearing

▶ Popular item

¹⁾ When ordering bearings with an alternative standard cage the suffix of the standard cage has to be replaced by the suffix of the alternative cage.

For example NU...ECP becomes NU...ECML (for permissible speed → page 511).

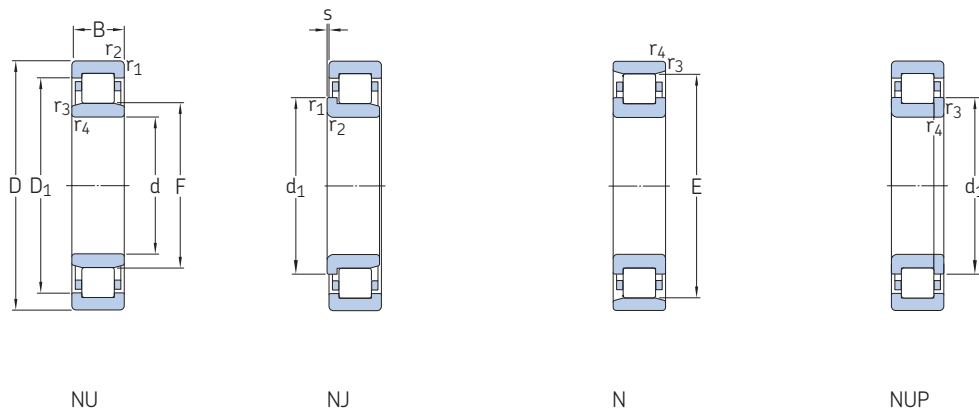


Angle ring

Dimensions				Abutment and fillet dimensions									Calculation factor k_r	Angle ring Designation	Mass	Dimensions	
d	d_1	D_1	F, E	$r_{1,2}$	$r_{3,4}$	s	d_a	d_a	d_b, D_a	D_a	r_a	r_b				B_1	B_2
mm	mm	mm	mm	mm	mm	mm	mm	mm	mm	mm	mm	mm	mm	mm	mm	mm	
110	-	149,7	125	2	1,1	3,8	116	122	128	160	2	1	0,15	-	-	-	-
	-	172,5	132,5	2,1	2,1	2,1	122	129	135	187	2	2	0,15	HJ 222 EC	0,62	11	17
	141	-	180,5	2,1	2,1	2,1	122	129	177	184	2	2	0,12	-	-	-	-
	141	172,5	132,5	2,1	2,1	2,1	122	129	144	187	2	-	0,15	HJ 222 EC	0,62	11	17
	141	172,5	132,5	2,1	2,1	-	122	-	144	187	2	-	0,15	-	-	-	-
	141	172,5	132,5	2,1	2,1	3,7	122	129	144	187	2	-	0,2	-	-	-	-
	-	172,5	132,5	2,1	2,1	3,7	122	129	135	187	2	2	0,2	-	-	-	-
	141	172,5	132,5	2,1	2,1	-	122	-	144	187	2	-	0,2	-	-	-	-
	155	-	211	3	3	3	124	208	215	225	2,5	2,5	0,12	-	-	-	-
	155	200	143	3	3	3	124	139	159	225,2	2,5	-	0,15	HJ 322 EC	1,2	14	22
	-	200	143	3	3	3	124	139	146	225,2	2,5	2,5	0,15	HJ 322 EC	1,2	14	22
	155	200	143	3	3	-	124	-	159	225,2	2,5	-	0,15	-	-	-	-
155	200	143	3	3	7,5	124	139	159	225,2	2,5	-	0,25	HJ 2322 EC	1,25	14	26,5	
-	200	143	3	3	7,5	124	139	146	225,2	2,5	2,5	0,25	HJ 2322 EC	1,25	14	26,5	
155	200	143	3	3	-	124	-	159	225,2	2,5	-	0,25	-	-	-	-	
171	219,65	155	4	4	4,8	131	151	175	260	3	-	0,15	HJ 422	2,1	17	29,5	
120	-	159,7	135	2	1,1	3,8	126	133	138	171	2	1	0,15	-	-	-	-
	153	-	195,5	2,1	2,1	1,9	132	192	199	203	2	2	0,12	-	-	-	-
	-	186,55	143,5	2,1	2,1	1,9	132	140	146	201,6	2	2	0,15	HJ 224 EC	0,71	11	17
	153	186,55	143,5	2,1	2,1	1,9	132	140	156	201,6	2	-	0,15	HJ 224 EC	0,71	11	17
	153	186,55	143,5	2,1	2,1	-	132	-	156	201,6	2	-	0,15	-	-	-	-
	-	186,9	143,5	2,1	2,1	3,8	132	140	146	201,6	2	2	0,2	HJ 2224 EC	0,73	11	20
	153	186,9	143,5	2,1	2,1	3,8	132	140	156	201,6	2	-	0,2	HJ 2224 EC	0,73	11	20
	153	186,9	143,5	2,1	2,1	-	132	-	156	201,6	2	-	0,2	-	-	-	-
	168	-	230	3	3	3,7	134	226	235	245	2,5	2,5	0,12	-	-	-	-
	-	217,8	154	3	3	3,7	134	150	157	244,8	2,5	2,5	0,15	HJ 324 EC	1,4	14	22,5
	168	217,8	154	3	3	3,7	134	150	171	244,8	2,5	-	0,15	HJ 324 EC	1,4	14	22,5
	168	217,8	154	3	3	-	134	-	171	244,8	2,5	-	0,15	-	-	-	-
	-	218,7	154	3	3	7,2	134	150	157	244,8	2,5	2,5	0,38	HJ 2324 EC	1,45	14	26
	168	218,7	154	3	3	7,2	134	150	171	244,8	2,5	-	0,38	HJ 2324 EC	1,45	14	26
	168	218,7	154	3	3	-	134	-	171	244,8	2,5	-	0,38	-	-	-	-
-	238,5	170	5	5	6,3	144	165	173	286	4	4	0,15	HJ 424	2,6	17	30,5	

6.1 Single row cylindrical roller bearings

d 130 – 150 mm



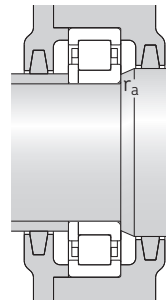
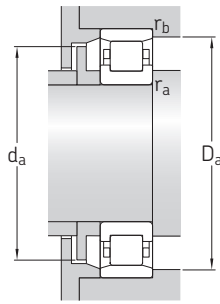
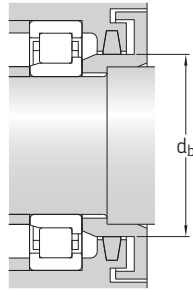
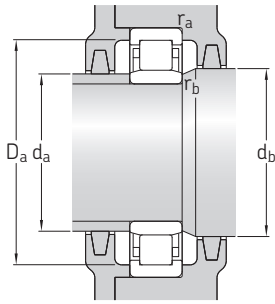
Principal dimensions			Basic load ratings		Fatigue load limit	Speed ratings		Mass	Designations Bearing with standard cage	Alternative standard cage ¹⁾	
d	D	B	C	C ₀		Reference speed	Limiting speed				
mm			kN		kN	r/min	kg	–			
130	200	33	165	224	25	3 800	5 600	3,85	▶ NU 1026 ML	M	
	200	33	165	224	25	3 800	5 600	3,9	▶ NJ 1026 ML	M	
	230	40	415	455	51	3 200	3 400	6,45	▶ N 226 ECP	–	
	230	40	415	455	51	3 200	3 400	6,45	▶ NU 226 ECP	J, M, ML	
	230	40	415	455	51	3 200	3 400	6,5	▶ NUP 226 ECJ	M, ML, P	
	230	40	415	455	51	3 200	3 400	6,6	▶ NJ 226 ECP	J, M, ML	
	230	64	610	735	735	83	3 200	3 400	10	▶ NU 2226 ECP	ML
	230	64	610	735	735	83	3 200	3 400	10,5	▶ NUP 2226 ECP	–
	230	64	610	735	735	83	3 200	5 300	12	▶ NJ 2226 ECML	P
	280	58	720	750	750	81,5	2 400	3 000	16	▶ NU 326 ECP	J, M, ML
	280	58	720	750	750	81,5	2 400	3 000	16,5	▶ NJ 326 ECJ	M, ML, P
	280	58	720	750	750	81,5	2 400	3 000	18	▶ N 326 ECM	P
	280	58	720	750	750	81,5	2 400	3 000	19,5	▶ NUP 326 ECP	J, M, ML
	280	93	1 060	1 250	1 250	137	2 400	4 500	28,5	▶ NU 2326 ECML	PA
	280	93	1 060	1 250	1 250	137	2 400	4 500	29,5	▶ NJ 2326 ECML	PA
280	93	1 060	1 250	1 250	137	2 400	4 500	29,5	▶ NUP 2326 ECML	–	
140	210	33	179	255	28	3 600	5 300	4,05	▶ NU 1028 ML	M	
	250	42	450	510	57	2 800	3 200	8,45	▶ NUP 228 ECJ	M, ML	
	250	42	450	510	57	2 800	3 200	8,6	▶ NJ 228 ECJ	M, ML	
	250	42	450	510	57	2 800	3 200	9,4	▶ NU 228 ECM	J, ML	
	250	68	655	830	830	93	2 800	4 800	15	▶ NU 2228 ECML	PA
	250	68	655	830	830	93	2 800	4 800	15,5	▶ NJ 2228 ECML	PA
	250	68	655	830	830	93	2 800	4 800	15,5	▶ NUP 2228 ECML	–
	300	62	780	830	830	88	2 400	2 800	20	▶ NJ 328 ECJ	M, ML
	300	62	780	830	830	88	2 400	2 800	22,5	▶ NU 328 ECM	J, ML
	300	62	780	830	830	88	2 400	2 800	23,5	▶ NUP 328 ECM	–
	300	102	1 200	1 430	1 430	150	2 400	4 300	36	▶ NU 2328 ECML	–
	300	102	1 200	1 430	1 430	150	2 400	4 300	36,5	▶ NJ 2328 ECML	–
	300	102	1 200	1 430	1 430	150	2 400	4 300	37	▶ NUP 2328 ECML	–
	150	225	35	198	290	31,5	3 200	5 000	4,9	▶ NU 1030 ML	M
		270	45	510	600	64	2 600	2 800	10,5	▶ NUP 230 ECJ	M, ML
270		45	510	600	64	2 600	2 800	11,5	▶ NU 230 ECM	J, ML	

SKF Explorer bearing

▶ Popular item

¹⁾ When ordering bearings with an alternative standard cage the suffix of the standard cage has to be replaced by the suffix of the alternative cage.

For example NU...ECP becomes NU...ECML (for permissible speed → page 511).



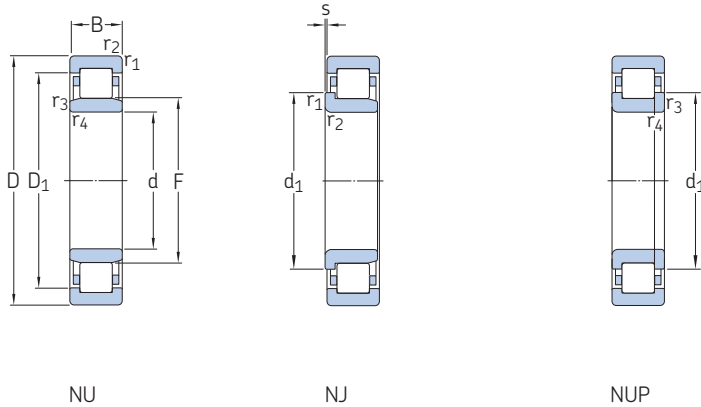
Angle ring

Dimensions				Abutment and fillet dimensions									Calculation factor k_r	Angle ring Designation	Mass	Dimensions		
d	$d_1 \approx$	$D_1 \approx$	F, E	$r_{1,2}$ min.	$r_{3,4}$ min.	s max.	d_a min.	d_a max.	d_b, D_a min.	D_a max.	r_a max.	r_b max.				B_1	B_2	
mm														-	-	kg	mm	
130	-	175,2	148	2	1,1	4,7	137	145	151	191	2	1	0,15	-	-	-	-	
	154	175,2	148	2	1,1	4,7	137	145	158	191	2	-	0,15	-	-	-	-	
	164	-	209,5	3	3	2,1	144	206	213	217	2,5	2,5	0,12	-	-	-	-	
	-	200,3	153,5	3	3	2,1	144	150	157	215,4	2,5	2,5	0,15	HJ 226 EC	0,75	11	17	
	164	200,3	153,5	3	3	-	144	-	167	215,4	2,5	-	0,15	-	-	-	-	
	164	200,3	153,5	3	3	2,1	144	150	167	215,4	2,5	-	0,15	HJ 226 EC	0,75	11	17	
	-	200,3	153,5	3	3	4,3	144	150	157	215,4	2,5	2,5	0,2	HJ 2226 EC	0,83	11	21	
	164	200,3	153,5	3	3	-	144	-	167	215,4	2,5	-	0,2	-	-	-	-	
	164	201,2	153,5	3	3	4,3	144	150	167	215,4	2,5	-	0,3	HJ 2226 EC	0,83	11	21	
	-	234,2	167	4	4	3,7	147	163	170	261,4	3	3	0,15	HJ 326 EC	1,65	14	23	
	181	234,2	167	4	4	3,7	147	163	184	261,4	3	-	0,15	HJ 326 EC	1,65	14	23	
	181	-	247	4	4	3,7	147	243	251	262	3	3	0,12	-	-	-	-	
181	234,2	167	4	4	-	147	-	184	261,4	3	-	0,15	-	-	-	-		
-	235,2	167	4	4	8,7	147	163	170	261,4	3	3	0,38	HJ 2326 EC	1,6	14	28		
181	235,2	167	4	4	8,7	147	163	184	261,4	3	-	0,38	HJ 2326 EC	1,6	14	28		
181	235,2	167	4	4	-	147	-	184	261,4	3	-	0,38	-	-	-	-		
140	-	184,2	158	2	1,1	4,4	147	155	161	201	2	1	0,15	-	-	-	-	
	179	215,78	169	3	3	-	154	-	182	235	2,5	-	0,15	-	-	-	-	
	179	215,78	169	3	3	2,5	154	165	182	235	2,5	-	0,15	HJ 228 EC	0,97	11	18	
	-	215,78	169	3	3	2,5	154	165	172	235	2,5	2,5	0,15	HJ 228 EC	0,97	11	18	
	-	216,7	169	3	3	4,4	154	165	172	235	2,5	2,5	0,3	HJ 2228 EC	1,05	11	23	
	179	216,7	169	3	3	4,4	154	165	182	235	2,5	-	0,3	HJ 2228 EC	1,05	11	23	
	179	216,7	169	3	3	-	154	-	182	235	2,5	-	0,3	-	-	-	-	
	195	250,6	180	4	4	3,7	157	175	199	282,5	3	-	0,15	HJ 328 EC	2,05	15	25	
	-	250,6	180	4	4	3,7	157	175	183	282,5	3	3	0,15	HJ 328 EC	2,05	15	25	
	195	250,6	180	4	4	-	157	-	199	282,5	3	-	0,15	-	-	-	-	
	-	251,7	180	4	4	9,7	157	175	183	282,5	3	3	0,38	HJ 2328 EC	2,15	15	31	
	195	251,7	180	4	4	9,7	157	175	199	282,5	3	-	0,38	HJ 2328 EC	2,15	15	31	
195	251,7	180	4	4	-	157	-	199	282,5	3	-	0,38	-	-	-	-		
150	-	199,05	169,5	2,1	1,5	4,9	158	167	173	215	2	1,5	0,15	-	-	-	-	
	193	232,2	182	3	3	-	164	-	196	254,6	2,5	-	0,15	-	-	-	-	
	-	232,2	182	3	3	2,5	164	178	186	254,6	2,5	2,5	0,15	HJ 230 EC	1,25	12	19,5	



6.1 Single row cylindrical roller bearings

d 150 – 180 mm



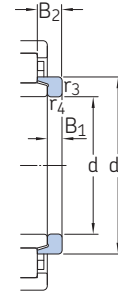
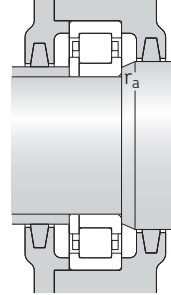
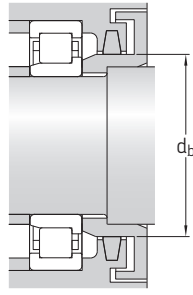
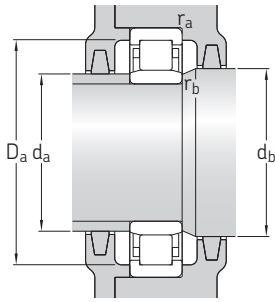
Principal dimensions			Basic load ratings		Fatigue load limit	Speed ratings		Mass	Designations Bearing with standard cage	Alternative standard cage ¹⁾	
d	D	B	C	C ₀		Reference speed	Limiting speed				
mm			kN		kN	r/min	kg	–			
150 cont.	270	45	510	600	64	2 600	2 800	12	▶ NJ 230 ECML	J, ML	
	270	73	735	930	100	2 600	2 800	18,5	▶ NU 2230 ECML	ML	
	270	73	735	930	100	2 600	2 800	19	▶ NJ 2230 ECML	ML	
	320	65	900	965	100	2 200	2 600	26,5	▶ NU 330 ECML	ML	
	320	65	900	965	100	2 200	4 000	26,5	▶ NJ 330 ECML	M	
	320	108	1 370	1 630	170	2 200	4 000	42,5	▶ NU 2330 ECML	–	
	320	108	1 370	1 630	170	2 200	4 000	43	▶ NJ 2330 ECML	–	
	160	240	38	229	325	35,5	3 000	4 800	6	▶ NU 1032 ML	M
		290	48	585	680	72	2 400	2 600	14	▶ NU 232 ECML	ML
		290	48	585	680	72	2 400	2 600	15,5	▶ NUP 232 ECML	–
290		48	585	680	72	2 400	4 000	14,5	▶ NJ 232 ECML	M	
290		80	930	1 200	129	2 400	4 000	23	▶ NU 2232 ECML	M	
290		80	930	1 200	129	2 400	4 000	23,5	▶ NJ 2232 ECML	M	
340		68	1 000	1 080	112	2 000	3 600	31	▶ NJ 332 ECML	M	
340		68	1 000	1 080	112	2 000	3 600	31	▶ NU 332 ECML	M	
340		114	1 250	1 730	173	1 800	3 600	50	▶ NU 2332 ECML	–	
340		114	1 250	1 730	173	1 800	3 600	50,5	▶ NJ 2332 ECML	–	
170	260	42	275	400	41,5	2 800	4 300	8	▶ NU 1034 ML	M	
	260	42	275	400	41,5	2 800	4 300	8,2	▶ NJ 1034 ML	M	
	310	52	695	815	85	2 200	3 800	17,5	▶ NJ 234 ECML	M	
	310	52	695	815	85	2 200	3 800	17,5	▶ NU 234 ECML	M	
	310	86	1 060	1 340	140	2 200	3 800	28	▶ NU 2234 ECML	–	
	310	86	1 060	1 340	140	2 200	3 800	29	▶ NJ 2234 ECML	–	
	360	72	952	1 180	116	1 700	2 200	33	▶ NU 334 ECML	–	
	360	120	1 450	2 040	204	1 700	3 400	60,5	▶ NJ 2334 ECML	–	
	360	120	1 450	2 040	204	1 700	3 400	60,5	▶ NU 2334 ECML	–	
	180	280	46	336	475	51	2 600	4 000	10,5	▶ NJ 1036 ML	M
280		46	336	475	51	2 600	4 000	10,5	▶ NU 1036 ML	M	
320		52	720	850	88	2 200	3 600	18,5	▶ NJ 236 ECML	M	
320		52	720	850	88	2 200	3 600	18,5	▶ NU 236 ECML	M	
320		86	1 100	1 430	146	2 200	3 600	30	▶ NJ 2236 ECML	M	
320		86	1 100	1 430	146	2 200	3 600	30	▶ NU 2236 ECML	M	

SKF Explorer bearing

▶ Popular item

¹⁾ When ordering bearings with an alternative standard cage the suffix of the standard cage has to be replaced by the suffix of the alternative cage.

For example NU...ECP becomes NU...ECML (for permissible speed → page 511).



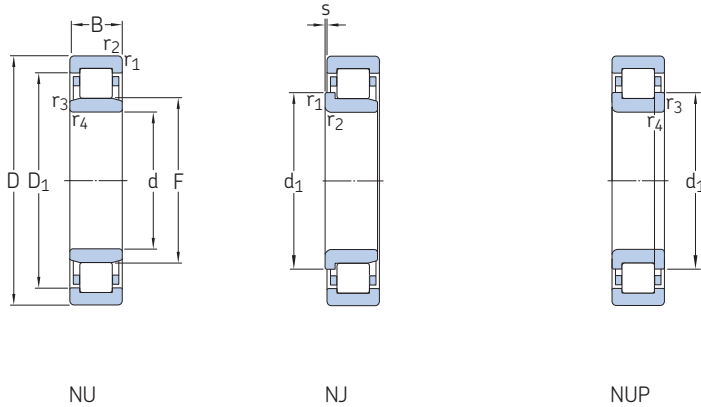
Angle ring

Dimensions				Abutment and fillet dimensions										Calculation factor k_r	Angle ring Designation	Mass	Dimensions	
d	d_1	D_1	F, E	$r_{1,2}$ min.	$r_{3,4}$ min.	s max.	d_a min.	d_a max.	d_b, D_a min.	D_a max.	r_a max.	r_b max.	B_1				B_2	
mm														-	-	kg	mm	
150 cont.	193	232,2	182	3	3	2,5	164	178	196	254,6	2,5	-	0,15	HJ 230 EC	1,25	12	19,5	
	-	232,2	182	3	3	4,9	164	178	186	254,6	2,5	2,5	0,2	HJ 2230 EC	1,35	12	24,5	
	194	232,2	182	3	3	4,9	164	178	197	254,6	2,5	-	0,2	HJ 2230 EC	1,35	12	24,5	
	-	268,7	193	4	4	4	167	188	196	302,2	3	3	0,15	HJ 330 EC	2,3	15	25	
	209	269,8	193	4	4	4	167	188	213	302,2	3	-	0,23	HJ 330 EC	2,3	15	25	
-	269,8	193	4	4	10,5	167	188	196	302,2	3	3	0,38	-	-	-	-		
209	269,8	193	4	4	10,5	167	188	213	302,2	3	-	0,38	-	-	-	-		
160	-	210,8	180	2,1	1,5	5,2	167	177	183	230	2	1,5	0,15	HJ 1032	0,72	10	19	
	-	248,6	195	3	3	2,7	175	191	198	274,2	2,5	2,5	0,15	HJ 232 EC	1,5	12	20	
	206	248,6	195	3	3	-	175	-	210	274,2	2,5	-	0,15	-	-	-	-	
	206	249,6	195	3	3	2,7	175	191	210	274,2	2,5	-	0,23	HJ 232 EC	1,5	12	20	
	-	251,1	193	3	3	4,5	174	189	196	274,2	2,5	2,5	0,3	HJ 2232 EC	1,55	12	24,5	
	205	251,1	193	3	3	4,5	174	189	209	274,2	2,5	-	0,3	HJ 2232 EC	1,55	12	24,5	
	221	286	204	4	4	4	177	199	225	321,9	3	-	0,23	HJ 332 EC	2,6	15	25	
	-	286	204	4	4	4	177	199	207	321,9	3	3	0,23	HJ 332 EC	2,6	15	25	
	-	286	204	4	4	11	177	199	207	321,9	3	3	0,38	-	-	-	-	
	221	286	204	4	4	11	177	199	225	321,9	3	-	0,38	-	-	-	-	
170	-	226,9	193	2,1	2,1	5,8	180	189	197	250	2	2	0,15	HJ 1034	0,93	11	21	
	201	226,9	193	2,1	2,1	5,8	180	189	206	250	2	-	0,15	HJ 1034	0,93	11	21	
	220	268,5	207	4	4	2,9	188	203	224	292,4	3	-	0,23	HJ 234 EC	1,65	12	20	
	-	268,5	207	4	4	2,9	188	203	210	292,4	3	3	0,23	HJ 234 EC	1,65	12	20	
	-	269,9	205	4	4	4,2	187	201	208	292,4	3	3	0,3	HJ 2234 EC	1,8	12	24	
	220	269,9	205	4	4	4,2	187	201	226	292	3	-	0,3	HJ 2234 EC	1,8	12	24	
	-	300,45	218	4	4	4,6	187	213	221	341,6	3	3	0,15	-	-	-	-	
	234	300,2	216	4	4	10	186	211	238	341,6	3	-	0,38	-	-	-	-	
	-	300,2	216	4	4	10	186	211	219	341,6	3	3	0,38	-	-	-	-	
	234	300,2	216	4	4	10	186	211	219	341,6	3	3	0,38	-	-	-	-	
180	215	246,1	205	2,1	2,1	6,1	190	202	218	270	2	-	0,15	-	-	-	-	
	-	246,1	205	2,1	2,1	6,1	190	202	208	270	2	2	0,15	HJ 1036	1,25	12	22,5	
	230	278,6	217	4	4	2,9	198	213	234	302,2	3	-	0,23	HJ 236 EC	1,7	12	20	
	-	278,6	217	4	4	2,9	198	213	220	302,2	3	3	0,23	HJ 236 EC	1,7	12	20	
	229	280	215	4	4	4,2	197	211	233	302,2	3	-	0,3	HJ 2236 EC	1,9	12	24	
	-	280	215	4	4	4,2	197	211	218	302,2	3	3	0,3	HJ 2236 EC	1,9	12	24	
	-	280	215	4	4	4,2	197	211	218	302,2	3	3	0,3	HJ 2236 EC	1,9	12	24	



6.1 Single row cylindrical roller bearings

d 180 – 220 mm



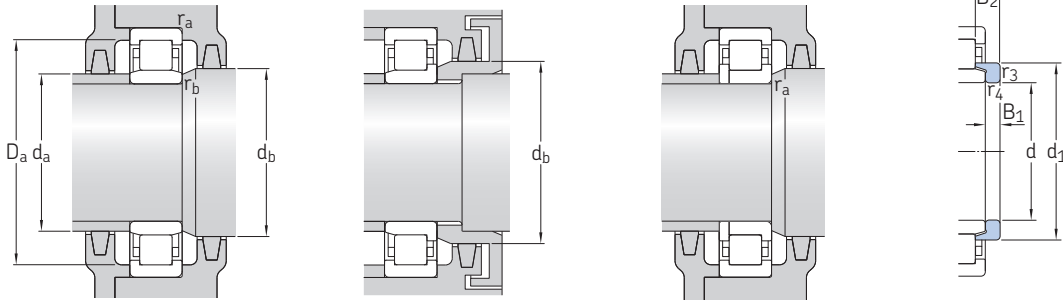
Principal dimensions			Basic load ratings		Fatigue load limit	Speed ratings		Mass	Designations Bearing with standard cage	Alternative standard cage ¹⁾
d	D	B	C	C ₀		Reference speed	Limiting speed			
mm			kN		kN	r/min	kg	–		
180 cont.	380	75	1 020	1 290	125	1 600	2 200	42,5	▶ NU 336 ECM	–
	380	75	1 020	1 290	125	1 600	2 200	44	▶ NJ 336 ECM	–
	380	126	1 610	2 240	216	1 600	3 200	69,5	▶ NU 2336 ECML	–
	380	126	1 610	2 240	216	1 600	3 200	70,5	▶ NJ 2336 ECML	–
190	290	46	347	500	53	2 600	3 800	11	▶ NJ 1038 ML	M
	290	46	347	500	53	2 600	3 800	11	▶ NU 1038 ML	M
	340	55	800	965	98	2 000	3 400	22	▶ NJ 238 ECML	M
	340	55	800	965	98	2 000	3 400	22,5	▶ NU 238 ECML	M
	340	55	800	965	98	2 000	3 400	22,5	▶ NUP 238 ECML	M
	340	92	1 220	1 600	160	2 000	3 400	35,5	▶ NU 2238 ECML	M
	340	92	1 220	1 600	160	2 000	3 400	37	▶ NJ 2238 ECML	M
	400	78	1 140	1 500	143	1 500	2 000	50	▶ NU 338 ECM	–
	400	132	1 830	2 550	236	1 500	3 000	80,5	▶ NU 2338 ECML	–
	400	132	1 830	2 550	236	1 500	3 000	82	▶ NJ 2338 ECML	–
200	310	51	380	570	58,5	2 400	3 600	14	▶ NU 1040 ML	M
	360	58	880	1 060	106	1 900	3 200	26,5	▶ NU 240 ECML	M
	360	58	880	1 060	106	1 900	3 200	27	▶ NJ 240 ECML	M
	360	98	1 370	1 800	180	1 900	3 200	44	▶ NJ 2240 ECML	–
	360	98	1 370	1 800	180	1 900	3 200	44	▶ NU 2240 ECML	–
	420	80	1 230	1 630	150	1 400	2 800	56,5	▶ NJ 340 ECML	–
	420	80	1 230	1 630	150	1 400	2 800	57	▶ NU 340 ECML	–
	420	138	1 980	2 800	255	1 400	2 800	92,5	▶ NU 2340 ECML	–
	420	138	1 980	2 800	255	1 400	2 800	94	▶ NJ 2340 ECML	–
	420	138	1 980	2 800	255	1 400	2 800	94	▶ NU 2340 ECML	–
220	340	56	495	735	73,5	2 200	3 200	18,5	▶ NJ 1044 ML	M
	340	56	495	735	73,5	2 200	3 200	18,5	▶ NU 1044 ML	–
	400	65	1 060	1 290	125	1 700	3 000	37	▶ NJ 244 ECML	M
	400	65	1 060	1 290	125	1 700	3 000	37,5	▶ NU 244 ECML	M
	400	65	1 060	1 290	125	1 700	3 000	37,5	▶ NUP 244 ECML	M
	400	108	1 570	2 280	212	1 600	3 000	58	▶ NU 2244 ECML	–
	400	108	1 570	2 280	212	1 600	3 000	60	▶ NJ 2244 ECML	–
	460	88	1 210	1 630	150	1 500	1 700	73,5	▶ NJ 344 M	–
	460	88	1 210	1 630	150	1 500	1 700	75	▶ NU 344 M	–
	460	145	2 380	3 450	310	1 300	2 600	118	▶ NU 2344 ECML	–

SKF Explorer bearing

▶ Popular item

¹⁾ When ordering bearings with an alternative standard cage the suffix of the standard cage has to be replaced by the suffix of the alternative cage.

For example NU...ECP becomes NU...ECML (for permissible speed → page 511).

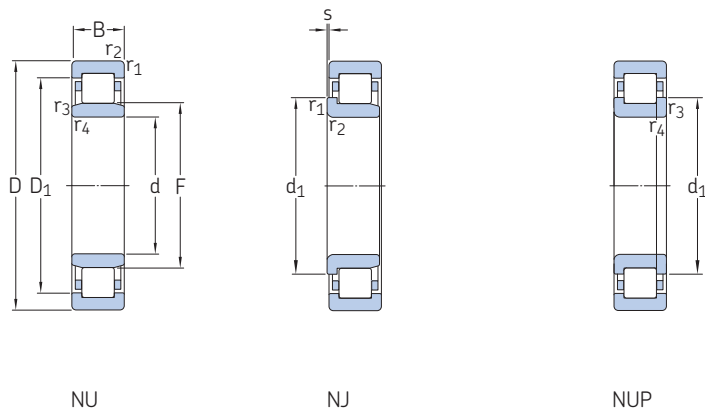


Angle ring

Dimensions				Abutment and fillet dimensions									Calculation factor k_r	Angle ring Designation	Mass	Dimensions		
d	d_1	D_1	F, E	$r_{1,2}$ min.	$r_{3,4}$ min.	s max.	d_a min.	d_a max.	d_b, D_a min.	D_a max.	r_a max.	r_b max.				B_1	B_2	
mm														-	-	kg	mm	
180 cont.	-	318,6	231	4	4	4,2	197	226	234	361,3	3	3	0,15	-	-	-	-	
	250	318,6	231	4	4	4,2	197	226	254,5	361,3	3	-	0,15	-	-	-	-	
	-	321,4	227	4	4	10,5	196	222	230	361,3	3	3	0,38	-	-	-	-	
	248	321,4	227	4	4	10,5	196	222	252	361	3	-	0,38	-	-	-	-	
190	225	256,1	215	2,1	2,1	6,1	200	212	231	280	2	-	0,15	HJ 1038	1,35	12	22,5	
	-	256,1	215	2,1	2,1	6,1	200	212	219	280	2	2	0,15	HJ 1038	1,35	12	22,5	
	244	295	230	4	4	3	207	226	248	321,9	3	-	0,23	HJ 238 EC	2,2	13	21,5	
	-	295	230	4	4	3	207	226	233	321,9	3	3	0,23	HJ 238 EC	2,2	13	21,5	
	244	295	230	4	4	-	207	-	248	321,9	3	-	0,23	-	-	-	-	
	-	296,4	228	4	4	5	207	224	231	321,9	3	3	0,3	-	-	-	-	
	243	296,4	228	4	4	5	207	224	247	322	3	-	0,3	-	-	-	-	
	-	336,3	245	5	5	4,3	210	240	249	380	4	4	0,15	HJ 338 EC	4,3	18	29	
	-	342,75	240	5	5	9,5	209	234	244	380	4	4	0,38	-	-	-	-	
	262	342,75	240	5	5	9,5	209	234	266	378	4	-	0,38	-	-	-	-	
200	-	269	229	2,1	2,1	7	211	225	234	300	2	2	0,15	HJ 1040	1,65	13	25,5	
	-	311,5	243	4	4	2,6	217	238	247	341,6	3	3	0,23	HJ 240 EC	2,55	14	23	
	258	311,5	243	4	4	2,6	217	238	262	341,6	3	-	0,23	HJ 240 EC	2,55	14	23	
	256	312,9	241	4	4	5,1	217	236	260	342	3	-	0,3	-	-	-	-	
	-	312,9	241	4	4	5,1	217	236	245	341,6	3	3	0,3	-	-	-	-	
	278	352,4	258	5	5	6	220	253	282	400	4	-	0,23	-	-	-	-	
	-	352,4	258	5	5	6	220	253	262	399,8	4	4	0,23	-	-	-	-	
	-	357,6	253	5	5	9,4	220	247	257	399,8	4	4	0,38	-	-	-	-	
	278	357,6	253	5	5	9,4	220	247	282	399,8	4	-	0,38	-	-	-	-	
		262	296,2	250	3	3	7,5	233	246	266	328	2,5	-	0,15	HJ 1044	2,15	14	27
220	-	296,2	250	3	3	7,5	233	246	254	328	2,5	2,5	0,15	HJ 1044	2,15	14	27	
	284	343,7	268	4	4	2,3	238	263	288	383	3	-	0,23	HJ 244 EC	3,25	15	25	
	-	343,7	268	4	4	2,3	238	263	272	383	3	3	0,23	HJ 244 EC	3,25	15	25	
	284	343,7	268	4	4	-	238	-	288	383	3	-	0,23	-	-	-	-	
	-	350	259	4	4	7,9	237	254	263	383	3	3	0,3	-	-	-	-	
	278	350	259	4	4	7,9	237	254	282	383	3	-	0,3	-	-	-	-	
	307	371	284	5	5	5,2	240	277	311	440	4	-	0,15	-	-	-	-	
	-	371	284	5	5	5,2	240	277	288	440	4	4	0,15	-	-	-	-	
	-	391	277	5	5	10,4	238	272	272	442	4	4	0,1	-	-	-	-	

6.1 Single row cylindrical roller bearings

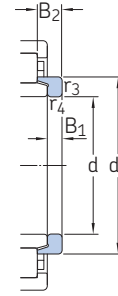
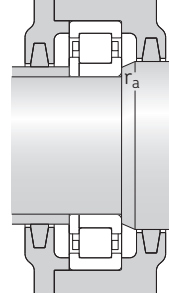
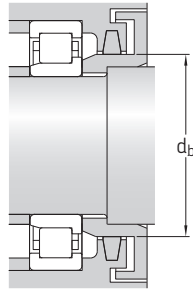
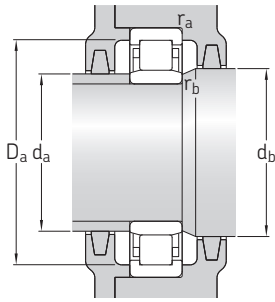
d 240 – 300 mm



Principal dimensions			Basic load ratings		Fatigue load limit	Speed ratings		Mass	Designations Bearing with standard cage	Alternative standard cage ¹⁾	
d	D	B	C	C ₀		Reference speed	Limiting speed				
mm			kN		kN	r/min	kg	–			
240	360	56	523	800	78	2 000	3 000	19,5	▶ NU 1048 ML	M	
	440	72	952	1 370	129	1 600	2 200	51,5	▶ NU 248 MA	–	
	440	72	952	1 370	129	1 600	2 200	53	▶ NJ 248 MA	–	
	440	72	952	1 370	129	1 600	2 200	53	NUP 248 MA	–	
	440	120	1 450	2 360	216	1 500	2 200	84	▶ NU 2248 MA	–	
	440	120	1 450	2 360	224	1 500	2 200	86	▶ NJ 2248 MA	–	
	500	95	1 450	2 000	180	1 300	2 000	94,5	NU 348 MA	–	
	500	95	1 450	2 000	180	1 300	2 000	98,5	NJ 348 MA	–	
	500	155	2 750	4 000	345	1 200	2 400	137	▶ NU 2348 ECML	–	
	260	400	65	627	965	96,5	1 800	2 800	29,5	▶ NU 1052 ML	M
		400	65	627	965	96,5	1 800	2 800	30	NJ 1052 ML	M
		480	80	1 170	1 700	150	1 400	2 000	68,5	▶ NU 252 MA	–
480		80	1 170	1 700	150	1 400	2 000	69	▶ NJ 252 MA	–	
480		80	1 170	1 700	150	1 400	2 000	72	NUP 252 MA	–	
480		130	1 790	3 000	265	1 300	2 000	112	NJ 2252 MA	–	
480		130	1 790	3 000	265	1 400	2 000	110	▶ NU 2252 MA	–	
540		102	1 940	2 700	236	1 100	1 800	121	NU 352 ECMA	–	
540		165	3 140	4 550	400	1 100	1 900	196	NJ 2352 ECMA	–	
540		165	3 190	4 550	400	1 100	1 800	193	NU 2352 ECMA	–	
280		420	65	660	1 060	102	1 700	2 600	31	▶ NU 1056 ML	M
		460	146	2 290	3 900	335	1 200	2 000	101	NU 3156 ECMA	–
	500	80	1 140	1 800	156	1 400	1 900	73	NJ 256 MA	–	
	500	80	1 190	1 800	156	1 400	1 900	71,5	▶ NU 256 MA	–	
	500	130	2 330	3 750	320	1 200	2 200	115	▶ NU 2256 ECML	–	
	580	175	2 700	4 300	365	1 000	1 700	230	NU 2356 MA	–	
300	460	74	858	1 370	129	1 500	2 000	46	NJ 1060 MA	–	
	460	74	858	1 370	129	1 500	2 000	46	▶ NU 1060 MA	–	
	460	95	1 510	2 600	245	1 300	2 000	62	NU 2060 ECMA	–	
	540	85	1 420	2 120	183	1 300	1 400	89,5	▶ NU 260 M	–	
	540	140	2 090	3 450	300	1 200	1 800	145	NU 2260 MA	–	
	620	109	2 330	3 350	280	950	1 200	174	NU 360 ECM	–	
	620	185	4 020	5 850	480	950	1 600	270	NU 2360 ECMA	–	

▶ Popular item

¹⁾ When ordering bearings with an alternative standard cage the suffix of the standard cage has to be replaced by the suffix of the alternative cage. For example NU...ECP becomes NU...ECML (for permissible speed → page 511).

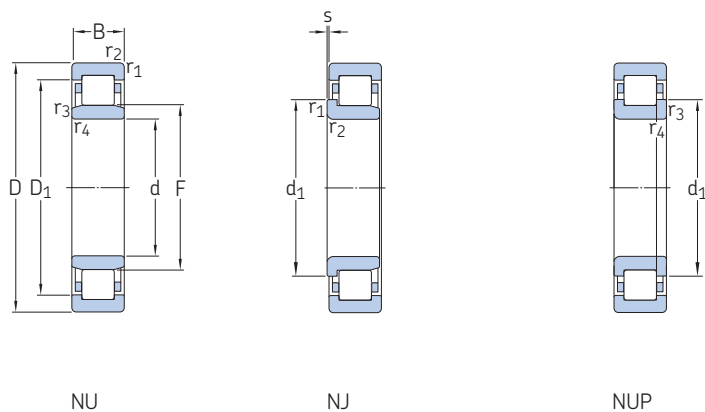


Angle ring

Dimensions				Abutment and fillet dimensions									Calculation factor k_r	Angle ring Designation	Mass	Dimensions	
d	d_1	D_1	F, E	$r_{1,2}$	$r_{3,4}$	s	d_a	d_a	d_b, D_a	D_a	r_a	r_b				B_1	B_2
mm	mm	mm	mm	mm	mm	mm	mm	mm	mm	mm	mm	mm	mm	mm	mm	mm	
240	–	316,2	270	3	3	7,5	252	266	274	348	2,5	2,5	0,15	HJ 1048	2,25	14	27
	–	365	295	4	4	3,4	257	288	299	423	3	3	0,15	–	–	–	–
	313	365	295	4	4	–	257	288	317	423	3	–	0,15	–	–	–	–
	–	365	295	4	4	–	257	284	299	423	3	–	0,15	–	–	–	–
	–	365	295	4	4	4,3	257	284	317	423	3	3	0,2	–	–	–	–
	313	365	295	4	4	–	257	284	317	423	3	–	0,2	–	–	–	–
	–	410	310	5	5	5	258	305	314	482	4	4	0,1	–	–	–	–
	322	403	310	5	5	5,6	260	302	339	480	4	–	0,15	–	–	–	–
	–	425	299	5	5	1,5	258	294	314	482	4	4	0,38	–	–	–	–
	260	–	353,1	296	4	4	8	275	292	300	385	3	3	0,15	HJ 1052	3,4	16
309		353,1	296	4	4	8	275	292	313	385	3	–	0,15	HJ 1052	3,4	16	31,5
–		397	320	5	5	3,4	280	313	324	460	4	4	0,15	–	–	–	–
340		397	320	5	5	3,4	280	313	344	460	4	–	0,15	–	–	–	–
340		397	320	5	5	–	280	–	344	460	4	–	0,23	–	–	–	–
340		397	320	5	5	4,3	280	309	344	460	4	–	0,3	–	–	–	–
–		397	320	5	5	4,3	280	309	324	460	4	4	0,2	–	–	–	–
–		455	337	6	6	4,2	286	330	341	514	5	5	0,15	–	–	–	–
350		458	324	6	6	5	284	320	355	516	5	–	0,4	–	–	–	–
–		463	324	6	6	1,8	286	310	323	514	5	5	0,25	–	–	–	–
280	–	373,1	316	4	4	8	295	312	321	405	3	3	0,15	HJ 1056	3,6	16	31,5
	–	406	321	5	5	0,4	300	316	325	440	4	4	0,21	–	–	–	–
	360	417	340	5	5	3,8	300	333	364	480	4	–	0,15	–	–	–	–
	–	417	340	5	5	3,8	300	333	344	480	4	4	0,15	–	–	–	–
	–	433	333	5	5	4,5	298	328	331	482	4	4	0,3	–	–	–	–
	–	467	362	6	6	6,6	306	347	366	554	5	5	0,25	–	–	–	–
300	356	402	340	4	4	9,7	317	335	360	443	3	–	0,1	–	–	–	–
	–	402	340	4	4	9,7	317	335	344	443	3	3	0,15	–	–	–	–
	–	410	341	4	4	4,1	317	336	345	443	3	3	0,14	–	–	–	–
	–	451	364	5	5	4,8	320	358	368	520	4	4	0,15	–	–	–	–
	–	451	364	5	5	5,6	320	352	368	520	4	4	0,2	–	–	–	–
	–	505	385	7,5	7,5	4	328	380	368	592	6	6	0,1	–	–	–	–
	–	535	371	7,5	7,5	11	332	365	375	588	6	6	0,27	–	–	–	–

6.1 Single row cylindrical roller bearings

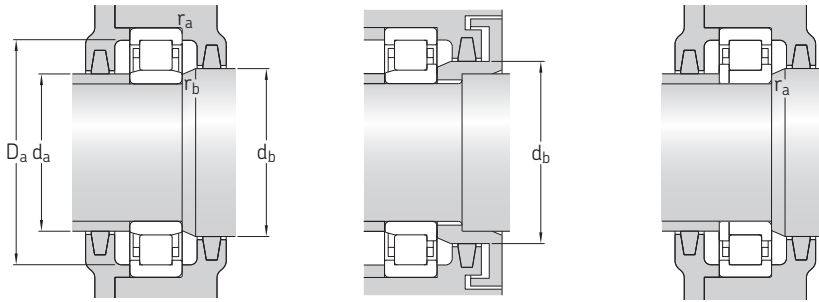
d 320 – 400 mm



Principal dimensions			Basic load ratings		Fatigue load limit	Speed ratings		Mass	Designations Bearing with standard cage	Alternative standard cage ¹⁾
d	D	B	C	C ₀		Reference speed	Limiting speed			
mm			kN		kN	r/min	kg	–		
320	440	56	693	1 200	110	1 500	2 000	26	NU 1964 ECMA	–
	480	74	880	1 430	132	1 400	1 400	48	▶ NJ 1064 MA	–
	480	74	880	1 430	132	1 400	1 400	48,5	▶ NU 1064 MA	–
	580	92	1 830	2 750	232	1 000	1 200	115	NU 264 ECM	–
	580	150	3 190	5 000	415	1 000	1 900	176	NU 2264 ECML	–
	670	200	4 730	7 500	600	850	1 500	370	NU 2364 ECMA	–
340	460	56	682	1 200	108	1 400	1 900	27,5	NU 1968 ECMA	–
	460	72	1 020	2 040	186	1 400	1 900	37	NJ 2968 ECMA	–
	520	133	2 200	4 150	365	1 100	1 700	109	NU 3068 MA	–
	580	190	3 470	5 850	490	950	1 600	217	NU 3168 ECMA	–
	620	165	2 640	4 500	365	1 000	1 500	226	▶ NU 2268 MA	–
	710	212	5 610	8 650	680	800	1 400	439	NU 2368 ECMA	–
360	480	56	781	1 460	129	1 400	2 000	29	NU 1972 ECMP	–
	540	82	1 100	1 830	163	1 300	1 600	67,5	▶ NU 1072 MA	–
	600	192	3 410	6 100	490	900	1 500	226	NU 3172 ECMA	–
	650	170	2 920	4 900	400	950	1 400	257	NU 2272 MA	–
	750	224	5 010	8 150	630	850	1 300	510	NU 2372 ECMA	–
380	480	46	561	1 120	98	1 300	2 000	20	NU 1876 ECMP	–
	480	46	561	1 120	98	1 300	2 000	21	NJ 1876 ECMP	–
	560	82	1 140	1 930	170	1 200	1 600	70	▶ NU 1076 MA	–
	560	82	1 140	1 930	170	1 200	1 600	71	▶ NJ 1076 MA	–
	560	135	2 380	4 750	400	1 000	1 800	109	NU 3076 ECMP	–
	680	175	3 960	6 400	510	850	1 300	288	NU 2276 ECMA	–
400	500	46	572	1 180	100	1 300	1 900	21,5	NU 1880 MP	–
	500	46	572	1 180	96,5	1 300	1 900	22	NJ 1880 MP	–
	500	46	572	1 180	96,5	1 300	1 900	22,5	NUP 1880 MP	–
	540	82	1 380	2 800	245	1 200	1 600	57	NJ 2980 ECMA	–
	540	106	1 760	3 750	320	1 000	1 500	74,5	NU 3980 ECMA	–
	600	90	1 380	2 320	196	1 100	1 500	90	▶ NU 1080 MA	–
	600	90	1 380	2 320	196	1 100	1 500	93	NJ 1080 MA	–

▶ Popular item

¹⁾ When ordering bearings with an alternative standard cage the suffix of the standard cage has to be replaced by the suffix of the alternative cage. For example NU...ECP becomes NU...ECML (for permissible speed → [page 511](#)).

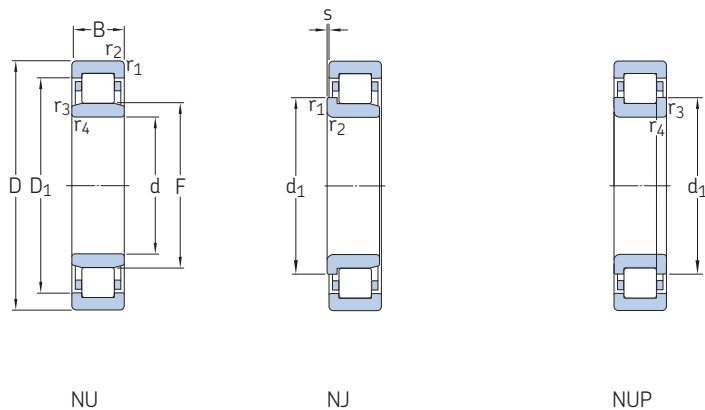


Dimensions				Abutment and fillet dimensions										Calculation factor k_r	Angle ring Designation	Mass	Dimensions	
d	$d_1 \approx$	$D_1 \approx$	F, E	$r_{1,2}$ min.	$r_{3,4}$ min.	s max.	d_a min.	d_a max.	d_b, D_a min.	D_a max.	r_a max.	r_b max.	B_1				B_2	
mm														–	–	kg	mm	
320	–	404	348	3	3	1,5	333	347	355	427	2,5	2,5	0,11	–	–	–	–	
	376	422	360	4	4	9,7	335	355	380	465	3	–	0,1	–	–	–	–	
	–	422	360	4	4	9,7	335	355	364	465	3	3	0,15	–	–	–	–	
	–	494	392	5	5	4,8	338	386	394	562	4	4	0,13	–	–	–	–	
	–	506	380	5	5	5	338	376	394	562	4	4	0,1	–	–	–	–	
–	565	405	7,5	7,5	11	348	400	394	642	6	6	0,15	–	–	–	–	–	
340	–	421	370	3	3	1,8	353	365	374	447	2,5	2,5	0,07	–	–	–	–	
	377	421	367	3	3	3,8	353	363	381	447	2,5	–	0,07	–	–	–	–	
	–	465	385	5	5	7	360	380	389	502	4	4	0,15	–	–	–	–	
	–	507	390,5	5	5	14	360	388	403	560	4	4	0,27	–	–	–	–	
	–	515	416	6	6	8	366	401	421	594	5	5	0,3	–	–	–	–	
–	602	425	7,5	7,5	11	368	420	389	682	6	6	0,15	–	–	–	–	–	
360	–	438	387,5	3	3	2	375	382	392	465	2,5	2,5	0,1	–	–	–	–	
	–	475	405	5	5	6,5	378	400	410	522	4	4	0,15	–	–	–	–	
	–	475	420	5	5	9,4	380	407	425	580	4	4	0,21	–	–	–	–	
	–	542	437	6	6	16,7	386	428	442	624	5	5	0,2	–	–	–	–	
	–	617	465	7,5	7,5	10	392	453	470	718	6	6	0,25	–	–	–	–	
380	–	449	406	2,1	2,1	2,5	390	400	410	470	1	1	0,1	–	–	–	–	
	415	449	406	2,1	2,1	1,5	392	400	421	469	2	–	0,1	–	–	–	–	
	–	495	425	5	5	10,8	398	420	430	542	4	4	0,15	–	–	–	–	
	443	495	425	5	5	10,8	398	420	448	542	4	–	0,1	–	–	–	–	
	–	506	425	5	5	8,5	398	417	430	542	4	4	0,17	–	–	–	–	
–	595	451	6	6	8,3	406	445	457	654	5	5	0,2	–	–	–	–	–	
400	–	465	423	2,1	2,1	3,3	410	419	428	490	2	2	0,05	–	–	–	–	
	433	465	423	2,1	2,1	3,3	410	419	436	490	2	–	0,05	–	–	–	–	
	432	464	423	2,1	2,1	–	410	–	438	488	2	–	0,1	–	–	–	–	
	448	495	435	4	4	0,9	415	430	454	525	3	–	0,15	–	–	–	–	
	–	500	434,5	4	4	4	415	429	439	524	3	3	0,1	–	–	–	–	
–	527	450	5	5	14	418	446	455	582	4	4	0,15	–	–	–	–	–	
472	526	450	5	5	5	418	445	478	582	4	–	0,15	–	–	–	–	–	



6.1 Single row cylindrical roller bearings

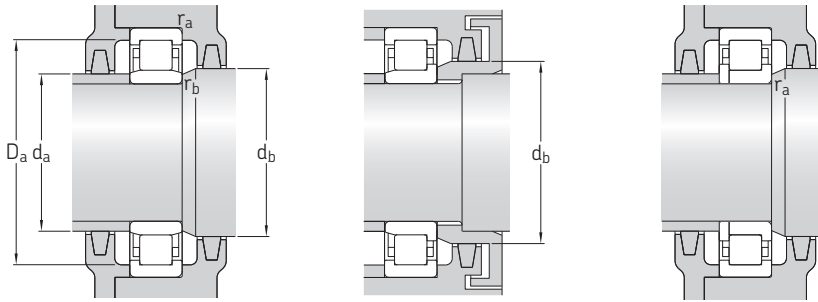
d 420 – 530 mm



Principal dimensions			Basic load ratings		Fatigue load limit	Speed ratings		Mass	Designations Bearing with standard cage	Alternative standard cage ¹⁾	
d	D	B	C	C ₀		Reference speed	Limiting speed				
mm			kN		kN	r/min	kg	–			
420	520	46	572	1 200	102	1 200	1 800	22	NU 1884 MP	–	
	560	82	1 400	2 850	255	1 100	1 500	60	NU 2984 ECMA	–	
	560	106	1 680	3 650	310	950	1 500	79,5	NUP 3984 ECMA	–	
	620	90	1 420	2 450	200	1 100	1 400	94	NU 1084 MA	–	
	700	224	4 950	9 000	695	750	1 300	365	NU 3184 ECMA	–	
440	600	74	1 060	2 000	170	1 100	1 400	53	NU 1988 MA	–	
	600	95	1 870	3 900	340	1 100	1 600	81	▶ NU 2988 ECML	–	
	600	95	1 870	3 900	340	1 100	1 600	83	NJ 2988 ECML	–	
	650	122	2 550	4 900	390	8 500	1 300	145	NU 2088 ECMA	–	
	720	226	5 120	10 000	765	700	1 200	388	NU 3188 ECMA/HB1	–	
460	580	72	1 080	2 400	193	1 100	1 400	48	NJ 2892 ECMA	–	
	620	95	1 720	3 600	310	1 000	1 300	89	NJ 2992 ECMA	–	
	620	118	2 050	4 550	375	850	1 300	112	NUP 3992 ECMA	–	
	680	100	1 650	2 850	224	950	1 200	115	NU 1092 MA	–	
	760	240	5 280	9 650	735	670	1 100	450	NU 3192 ECMA/HB1	–	
	830	165	4 180	6 800	510	750	1 100	415	NU 1292 MA	–	
	830	212	5 120	8 650	655	700	1 100	527	▶ NU 2292 MA	–	
	480	650	78	1 170	2 240	183	950	1 300	76	NU 1996 MA	–
		700	100	1 680	3 000	232	900	1 200	130	NU 1096 MA	–
700		128	2 860	5 600	430	750	1 200	179	NU 2096 ECMA	–	
	790	248	5 940	10 800	800	630	1 100	507	NU 3196 ECMA/HB1	–	
	500	670	100	2 050	4 250	355	900	1 200	107	NU 29/500 ECMA	–
		720	100	1 720	3 100	236	900	1 100	135	▶ NU 10/500 MA	–
720		128	2 920	5 850	440	750	1 100	180	NU 20/500 ECMA	–	
	720	167	3 800	7 350	560	750	1 100	233	NU 30/500 ECMA	–	
	830	264	6 440	12 000	880	600	1 000	595	NU 31/500 ECMA/HB1	–	
	920	185	5 280	8 500	620	670	950	575	NU 12/500 MA	–	
530	710	106	2 380	5 000	390	850	1 100	130	NUP 29/530 ECMA	–	
	780	112	2 290	4 050	305	800	1 000	190	NU 10/530 MA	–	
	780	145	3 740	7 350	550	670	1 000	253	NU 20/530 ECMA	–	
	870	272	7 480	14 600	1 040	560	950	660	NU 31/530 ECMA/HB1	–	

▶ Popular item

¹⁾ When ordering bearings with an alternative standard cage the suffix of the standard cage has to be replaced by the suffix of the alternative cage. For example NU...ECP becomes NU...ECML (for permissible speed → [page 511](#)).

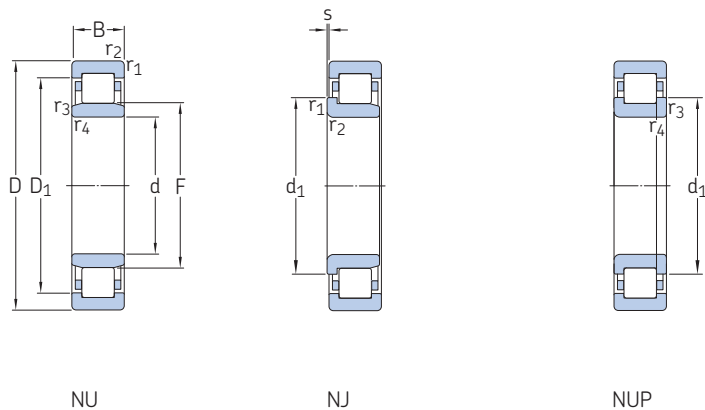


Dimensions				Abutment and fillet dimensions									Calculation factor k_r	Angle ring Designation	Mass	Dimensions	
d	d_1 ≈	D_1 ≈	F, E	$r_{1,2}$ min.	$r_{3,4}$ min.	s max.	d_a min.	d_a max.	d_b, D_a min.	D_a max.	r_a max.	r_b max.				B_1	B_2
mm														–	–	kg	mm
420	–	488	447	2,1	2,1	3,3	431	442	452	508	2	2	0,1	–	–	–	–
	–	512	449	4	4	2,4	435	444	463	545	3	3	0,07	–	–	–	–
	468	518	455	4	4	–	436	–	472	544	3	–	0,15	–	–	–	–
	–	547	470	5	5	14	438	466	475	602	4	4	0,15	–	–	–	–
–	613	485	6	6	14,2	446	478	490	694	5	5	0,21	–	–	–	–	–
440	–	544	482	4	4	5,5	455	477	487	585	3	3	0,07	–	–	–	–
	–	552	481,5	4	4	2,4	455	476	487	584	3	3	0,07	–	–	–	–
	496	551	481,5	4	4	1,5	455	475	502	585	3	–	0,15	–	–	–	–
	–	577	487	6	6	11,9	463	483	492	627	5	5	0,14	–	–	–	–
–	637	509	6	6	12,5	466	500	514	694	5	5	0,21	–	–	–	–	–
460	499	543	489	3	3	1,1	473	485	505	567	2,5	–	0,07	–	–	–	–
	508	566	495	4	4	4	475	490	515	605	3	–	0,07	–	–	–	–
	515	571	501	4	4	–	476	–	520	604	3	–	0,15	–	–	–	–
	–	600	516	6	6	15,9	483	511	521	657	5	5	0,15	–	–	–	–
–	662	529,3	7,5	7,5	13	492	519	534	728	6	6	0,27	–	–	–	–	–
–	715	554	7,5	7,5	6,4	492	542	559	798	6	6	0,13	–	–	–	–	–
–	706	554	7,5	7,5	16,5	492	542	559	798	6	6	0,2	–	–	–	–	–
480	–	592	525	5	5	6,5	498	517	530	632	4	4	0,07	–	–	–	–
	–	620	536	6	6	15,9	503	531	541	677	5	5	0,15	–	–	–	–
	–	629	533	6	6	12,7	503	529	538	677	5	5	0,14	–	–	–	–
	–	699	547	7,5	7,5	16	512	536	552	758	6	6	0,21	–	–	–	–
500	–	619	539,5	5	5	3	518	534	549	652	4	4	0,1	–	–	–	–
	–	640	556	6	6	11,2	523	550	561	697	5	5	0,15	–	–	–	–
	–	649	553	6	6	12,7	523	549	558	697	5	5	0,14	–	–	–	–
	–	650	540,8	6	6	8,6	523	532	546	697	5	5	0,21	–	–	–	–
–	728	576	7,5	7,5	14,5	532	564	581	798	6	6	0,21	–	–	–	–	–
–	780	603,1	7,5	7,5	13,9	532	593	610	888	6	6	0,17	–	–	–	–	–
530	590	656	573	5	5	–	548	–	595	692	4	–	0,15	–	–	–	–
	–	692	593	6	6	10,4	553	585	598	757	5	5	0,15	–	–	–	–
	–	704	591	6	6	6,8	553	587	596	757	5	5	0,2	–	–	–	–
	–	764	612	7,5	7,5	3	562	605	617	838	6	6	0,21	–	–	–	–



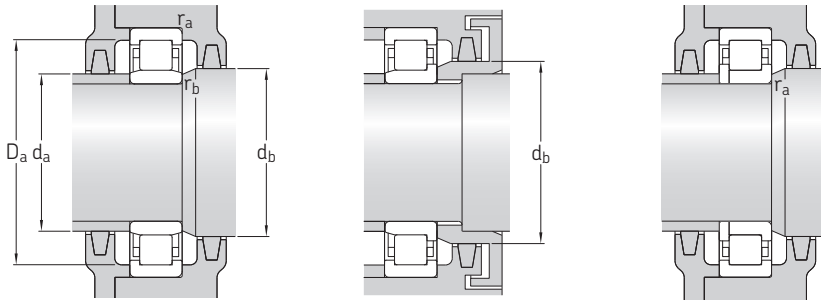
6.1 Single row cylindrical roller bearings

d 560 – 1 000 mm



Principal dimensions			Basic load ratings		Fatigue load limit	Speed ratings		Mass	Designations Bearing with standard cage	Alternative standard cage ¹⁾
d	D	B	C	C ₀		Reference speed	Limiting speed			
mm			kN		kN	r/min		kg	–	
560	750	112	2 460	5 700	450	800	1 000	145	NU 29/560 ECMA	–
	820	115	2 330	4 250	310	750	1 000	210	NU 10/560 MA	–
	820	150	3 800	7 650	560	630	1 000	290	NU 20/560 ECMA	–
	1 030	206	7 210	11 200	780	560	800	805	NU 12/560 MA	–
	1 030	272	9 900	16 600	1 160	530	800	1 090	NU 22/560 ECMA	–
600	730	60	897	2 080	108	800	1 000	54	NU 18/600 ECMA/HB1	–
	870	118	2 750	5 100	365	700	900	240	NU 10/600 MA	–
	870	155	4 180	8 000	570	600	900	325	NU 20/600 ECMA	–
630	780	69	1 100	2 500	183	750	950	75	NJ 18/630 ECMA/HB1	–
	850	100	2 240	4 400	315	700	900	168	NU 19/630 ECMA/HB1	–
	850	128	3 300	7 200	510	700	900	224	NU 29/630 ECMA/HB1	–
	850	128	3 300	7 200	510	700	900	230	NJ 29/630 ECMA/HB1	–
	920	170	4 730	9 500	670	560	850	400	NU 20/630 ECMA	–
710	870	95	1 940	5 000	375	630	850	130	NJ 28/710 ECMA	–
	950	140	3 740	8 300	570	600	800	297	NU 29/710 ECMA	–
	1 030	140	4 680	8 500	570	560	750	415	NU 10/710 ECMA	–
	1 030	185	5 940	12 000	815	480	700	540	NU 20/710 ECMA/HB1	–
	1 090	150	4 730	8 800	585	430	670	487	NU 10/750 ECMA/HB1	–
750	1 090	195	7 040	14 600	980	430	670	635	NU 20/750 ECMA	–
	980	82	1 720	4 150	190	530	700	137	NU 18/800 ECMA	–
800	1 150	200	7 040	14 600	950	400	630	715	NU 20/800 ECMA	–
	1 030	106	2 120	6 000	240	500	670	193	NU 28/850 MA	–
850	1 220	212	8 420	18 600	1 200	360	560	880	NU 20/850 ECMA	–
	1 090	85	1 980	4 900	240	450	600	169	NU 18/900 ECMA	–
900	1 180	165	5 280	12 500	800	430	560	514	NU 29/900 ECMA/HB1	–
	1 220	100	2 640	6 550	400	400	530	265	NU 18/1000 MA/HB1	–
1 000	1 220	100	2 640	6 550	400	400	530	269	NUP 18/1000 MA/HB1	–

¹⁾ When ordering bearings with an alternative standard cage the suffix of the standard cage has to be replaced by the suffix of the alternative cage. For example NU .. ECP becomes NU .. ECML (for permissible speed → page 511).

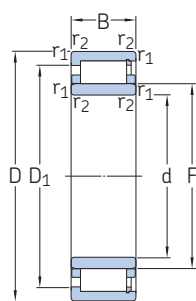


Dimensions				Abutment and fillet dimensions									Calculation factor k_r	Angle ring Designation	Mass kg	Dimensions mm	
d	$d_1 \approx$	$D_1 \approx$	F, E	$r_{1,2}$ min.	$r_{3,4}$ min.	s max.	d_a min.	d_a max.	d_b, D_a min.	D_a max.	r_a max.	r_b max.				B_1	B_2
mm														-	-	mm	
560	-	693	608	5	5	4,5	578	600	613	732	4	4	0,07	-	-	-	-
	-	726	625	6	6	12,3	583	617	630	797	5	5	0,15	-	-	-	-
	-	741	626	6	6	6,7	583	616	631	797	5	5	0,14	-	-	-	-
-	892	668	608	9,5	9,5	10,3	600	657	674	990	8	8	0,13	-	-	-	-
	900	664	608	9,5	9,5	3	594	658	674	990	8	8	0,1	-	-	-	-
600	-	681	632	3	3	0,7	613	625	637	717	2,5	2,5	0,05	-	-	-	-
	-	779	667	6	6	14	623	658	672	847	5	5	0,15	-	-	-	-
	-	793	661	6	6	6,1	623	652	667	847	5	5	0,14	-	-	-	-
630	682	724	667	4	4	1,5	645	662	685	765	3	-	0,1	-	-	-	-
	-	785	683	6	6	4,5	653	678	688	827	5	5	0,07	-	-	-	-
	-	782	683	6	6	7,1	653	678	688	827	5	5	0,07	-	-	-	-
-	703	782	683	6	6	7,1	653	678	709	827	5	-	0,07	-	-	-	-
	-	832	699	7,5	7,5	8,7	658	690	705	892	6	6	0,14	-	-	-	-
710	766	817	751	4	4	1,5	728	745	771	853	3	-	0,15	-	-	-	-
	-	875	766	6	6	8,7	734	760	772	648	5	5	0,1	-	-	-	-
	-	939	778	7,5	7,5	17	738	769	783	1002	6	6	0,15	-	-	-	-
-	939	787	751	7,5	7,5	10	738	780	793	1002	6	6	0,14	-	-	-	-
	-	993	830	7,5	7,5	12,8	778	823	838	1062	6	6	0,15	-	-	-	-
-	993	832	751	7,5	7,5	12,8	778	823	838	1062	6	6	0,14	-	-	-	-
	-	920	846	5	5	1	818	840	861	962	4	4	0,15	-	-	-	-
-	1051	882	751	7,5	7,5	2	828	868	888	1122	6	6	0,14	-	-	-	-
	-	961	902	5	5	7	868	891	908	1012	4	4	0,07	-	-	-	-
-	1110	942	751	7,5	7,5	2	878	936	956	1190	6	6	0,17	-	-	-	-
	-	1026	948	5	5	4,7	918	942	956	1072	4	4	0,05	-	-	-	-
-	1096	969	751	6	6	5,9	923	958	975	1157	5	5	0,07	-	-	-	-
	-	1143	1053	6	6	12,1	1023	1040	1060	1197	5	5	0,05	-	-	-	-
1000	1072	1146	1053	6	6	-	1025	-	1080	1196	5	-	0,2	-	-	-	-

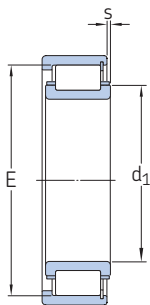


6.2 High-capacity cylindrical roller bearings

d 100 – 170 mm

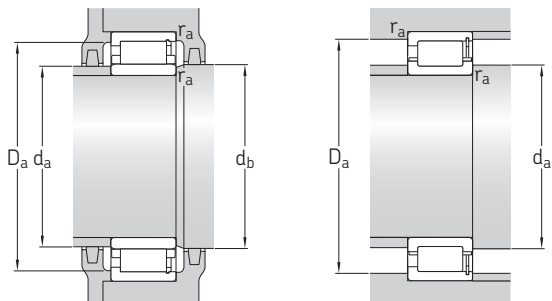


NUH .. ECMH



NCF .. ECJB

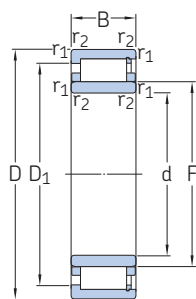
Principal dimensions			Basic load ratings		Fatigue load limit	Speed ratings		Mass	Designation
d	D	B	dynamic	static		Reference speed	Limiting speed		
			C	C ₀	P _u				
mm			kN		kN	r/min		kg	–
100	180	46	400	475	57	4 000	4 500	5,1	NUH 2220 ECMH
	215	73	710	800	91,5	3 200	3 800	13	NUH 2320 ECMH
110	200	53	465	550	64	3 600	4 000	7,3	NUH 2222 ECMH
	240	80	830	965	110	3 000	3 400	18	NUH 2322 ECMH
120	215	58	550	670	76,5	3 400	3 600	9	NUH 2224 ECMH
	260	86	965	1 120	125	2 800	3 200	22,5	NUH 2324 ECMH
130	230	64	630	780	88	3 200	3 400	11	NUH 2226 ECMH
	280	93	1 120	1 340	146	2 400	3 000	28	NUH 2326 ECMH
	280	93	1 120	1 340	146	2 400	3 400	29	NCF 2326 ECJB
140	250	68	680	880	96,5	2 800	3 200	14,5	NUH 2228 ECMH
	250	68	680	880	96,5	2 800	3 600	14,5	NCF 2228 ECJB
	300	102	1 250	1 530	163	2 400	2 800	35	NUH 2328 ECMH
	300	102	1 250	1 530	163	2 400	3 200	35,5	NCF 2328 ECJB
150	270	73	780	1 040	112	2 600	2 800	18	NUH 2230 ECMH
	270	73	780	1 040	112	2 600	3 400	18	NCF 2230 ECJB
	320	108	1 430	1 760	183	2 200	2 600	42	NUH 2330 ECMH
	320	108	1 430	1 760	183	2 200	3 000	43,5	NCF 2330 ECJB
160	290	80	980	1 270	134	2 400	2 600	23	NUH 2232 ECMH
	290	80	980	1 270	134	2 400	3 000	23,5	NCF 2232 ECJB
	340	114	1 400	2 000	196	1 800	2 400	50,5	NUH 2332 ECMH
	340	114	1 400	2 000	196	1 800	2 800	50,5	NCF 2332 ECJB
	340	114	1 600	2 000	196	2 000	2 800	50,5	NCF 2332 ECJB/PEX
170	340	114	1 600	2 000	196	2 000	2 400	50,5	NUH 2332 ECMH/PEX
	310	86	1 600	1 530	156	2 200	2 400	28,5	NUH 2234 ECMH
	310	86	1 160	1 530	156	2 200	2 800	28	NCF 2234 ECJB
	360	120	1 540	2 200	216	1 700	2 200	59,5	NUH 2334 ECMH
	360	120	1 540	2 200	216	1 700	2 600	58,5	NCF 2334 ECJB
	360	120	1 760	2 200	216	1 900	2 600	58,5	NCF 2334 ECJB/PEX
	360	120	1 760	2 200	216	1 900	2 200	59,5	NUH 2334 ECMH/PEX



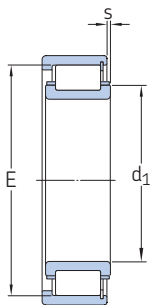
Dimensions			Abutment and fillet dimensions							Calculation factor		
d	d ₁ ≈	D ₁ ≈	F, E	r _{1,2} min.	s max.	d _a min.	d _a max.	d _b min.	D _a min.	D _a max.	r _a max.	k _r
mm						mm						-
100	-	156	119	2,1	1	113	116	122	159	167	2	0,16
	-	182	127,5	3	2,2	114	124	131	186	199	2,5	0,2
110	-	173	132,5	2,1	2,2	122	129	135	177	187	2	0,16
	-	200	143	3	2,3	124	139	146	206	225	2,5	0,2
120	-	187	143,5	2,1	2,2	132	140	146	191	201	2	0,16
	-	218	154	3	2,4	134	150	157	224	244	2,5	0,2
130	-	201	153,5	3	2,6	144	150	157	205	215	2,5	0,16
	-	235	167	4	3,1	147	163	170	241	261	3	0,2
	181	235	247	4	8,7	147	174	-	241	261	3	0,2
140	-	216	169	3	3,2	154	165	172	220	235	2,5	0,16
	179	216	225	3	4,4	154	174	-	220	235	2,5	0,16
	-	251	180	4	3,9	157	175	183	257	282	3	0,2
	195	251	264	4	9,7	157	188	-	257	282	3	0,2
150	-	233	182	3	3,3	164	178	186	237	254	2,5	0,16
	193	233	242	3	4,9	164	188	-	237	254	2,5	0,16
	-	285	193	4	4,1	167	188	196	284	302	3	0,2
	209	269	283	4	10,5	167	201	-	276	302	3	0,2
160	-	250	193	3	3	174	189	196	256	274	2,5	0,16
	205	250	261	3	4,5	174	199	-	256	274	2,5	0,16
	-	285	204	4	2,5	177	199	207	292	321	3	0,2
	221	281	300	4	11	177	213	-	290	321	3	0,2
	221	281	300	4	11	177	213	-	290	321	3	0,2
170	-	269	205	4	2,4	187	201	208	275	292	3	0,16
	219	270	281	4	4,2	187	212	-	275	292	3	0,16
	-	301	216	4	3,8	186	211	219	308	341	3	0,2
	234	301	316	4	10	186	225	-	308	341	3	0,2
	234	301	316	4	10	186	225	-	308	341	3	0,2
	-	301	216	4	3,8	186	211	219	308	341	3	0,2

6.2 High-capacity cylindrical roller bearings

d 180 – 240 mm



NUH .. ECMH

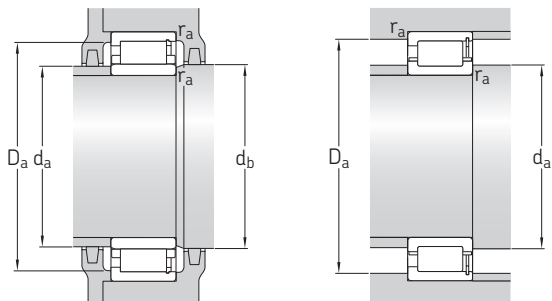


NCF .. ECJB

Principal dimensions			Basic load ratings		Fatigue load limit	Speed ratings		Mass	Designation
d	D	B	dynamic	static		Reference speed	Limiting speed		
mm			kN		kN	r/min		kg	–
180	320	86	1 200	1 600	166	2 200	2 400	29,5	NUH 2236 ECMH
	320	86	1 200	1 600	166	2 200	2 800	30	NCF 2236 ECJB
	380	126	1 720	2 400	232	1 600	2 200	68	NUH 2336 ECMH
	380	126	1 720	2 400	232	1 600	2 400	67,5	NCF 2336 ECJB
	380	126	1 960	2 400	232	1 800	2 400	67,5	NCF 2336 ECJB/PEX
	380	126	1 960	2 400	232	1 800	2 200	68	NUH 2336 ECMH/PEX
190	340	92	1 320	1 760	180	2 000	2 200	36	NUH 2238 ECMH
	340	92	1 320	1 760	180	2 000	2 600	36,5	NCF 2238 ECJB
	400	132	1 940	2 750	255	1 500	2 000	78,5	NUH 2338 ECMH
	400	132	1 940	2 750	255	1 500	2 200	78	NCF 2338 ECJB
	400	132	2 240	2 750	255	1 700	2 200	78	NCF 2338 ECJB/PEX
	400	132	2 240	2 750	255	1 700	2 000	78,5	NUH 2338 ECMH/PEX
200	360	98	1 460	2 000	200	1 900	2 200	43,5	NUH 2240 ECMH
	360	98	1 460	2 000	200	1 900	2 400	43	NCF 2240 ECJB
	420	138	2 200	3 200	300	1 400	1 900	92,5	NUH 2340 ECMH
	420	138	2 200	3 200	300	1 400	2 200	91,5	NCF 2340 ECJB
	420	138	2 550	3 200	300	1 600	2 200	91,5	NCF 2340 ECJB/PEX
	420	138	2 550	3 200	300	1 600	1 900	92,5	NUH 2340 ECMH/PEX
220	400	108	1 760	2 600	240	1 600	1 900	59	NUH 2244 ECMH
	400	108	1 760	2 600	240	1 600	2 200	58,5	NCF 2244 ECJB
	400	108	2 000	2 600	240	1 700	1 900	59	NUH 2244 ECMH/PEX
	400	108	2 000	2 600	240	1 700	2 200	58,5	NCF 2244 ECJB/PEX
	460	145	2 510	3 650	335	1 300	1 700	116	NUH 2344 ECMH
	460	145	2 510	3 650	335	1 300	2 000	116	NCF 2344 ECJB
240	460	145	2 900	3 650	335	1 400	1 700	116	NUH 2344 ECMH/PEX
	440	120	1 980	3 050	275	1 400	1 700	80	NUH 2248 ECMH
	440	120	2 279	3 050	275	1 600	1 700	80	NUH 2248 ECMH/PEX
	500	155	2 750	4 000	345	1 200	1 500	143	NUH 2348 ECMH
	500	155	3 150	4 000	345	1 300	1 500	143	NUH 2348 ECMH/PEX

6.2

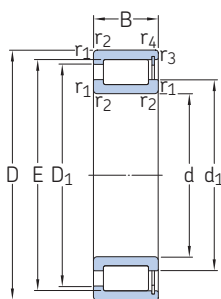




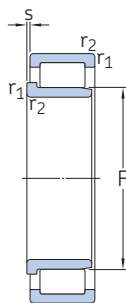
Dimensions			Abutment and fillet dimensions							Calculation factor		
d	d ₁ ≈	D ₁ ≈	F, E	r _{1,2} min.	s max.	d _a min.	d _a max.	d _b min.	D _a min.	D _a max.	r _a max.	k _r
mm						mm						–
180	–	279	215	4	2,4	197	211	218	285	302	3	0,16
	229	279	291	4	4,2	197	222	–	285	302	3	0,16
	–	322	227	4	3,7	196	222	230	330	361	3	0,2
	247	320	339	4	10,5	196	237	–	329	361	3	0,2
	247	320	339	4	10,5	196	237	–	329	361	3	0,2
–	322	227	4	3,7	196	222	230	311	361	3	0,2	
190	–	296	228	4	3,1	207	224	231	302	321	3	0,16
	242	293	308	4	5	207	235	–	300	321	3	0,16
	–	342	240	5	4,1	209	234	244	351	380	4	0,2
	262	342	360	5	9,5	209	251	–	351	380	4	0,2
	262	342	360	5	9,5	209	251	–	351	380	4	0,2
–	342	240	5	4,1	209	234	244	351	380	4	0,2	
200	–	312	241	4	3,4	217	236	245	318	341	3	0,16
	256	312	325	4	5,1	217	249	–	318	341	3	0,16
	–	358	253	5	4,3	220	247	257	367	399	4	0,2
	275	356	377	5	9,4	220	264	–	367	399	4	0,2
	275	356	377	5	9,4	220	264	–	367	399	4	0,2
–	358	253	5	4,3	220	247	257	367	399	4	0,2	
220	–	350	259	4	2,5	237	254	263	359	383	3	0,16
	279	349	367	4	7,9	237	269	–	358	383	3	0,16
	–	350	259	4	2,5	237	254	263	359	383	3	0,16
	279	349	367	4	7,9	237	269	–	358	383	3	0,16
	–	392	277	5	3	240	270	281	334	439	4	0,2
–	392	413	5	10,4	240	290	–	386	440	4	0,2	
–	392	277	5	3	240	270	281	334	439	4	0,2	
240	–	312	287	4	3,5	258	294	299	299	422	3	0,16
	–	312	287	4	3,5	258	294	299	299	422	3	0,16
	–	426	299	5	3,1	260	298	303	362	479	4	0,2
	–	426	299	5	3,1	260	298	303	362	479	4	0,2

6.3 Single row full complement cylindrical roller bearings

d 20 – 85 mm



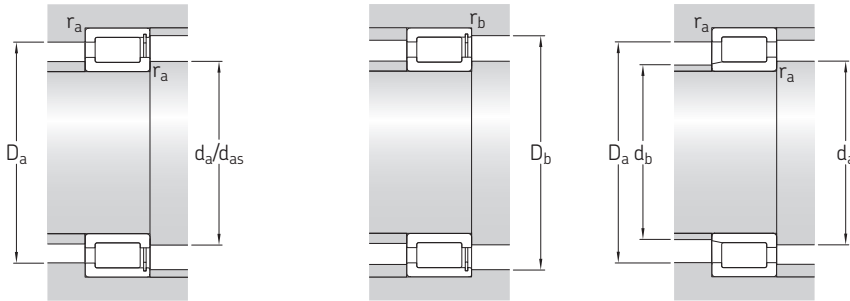
NCF



NJG

Principal dimensions			Basic load ratings		Fatigue load limit	Speed ratings		Mass	Designation
d	D	B	dynamic	static		Reference speed	Limiting speed		
mm			C	C ₀	P _u	r/min		kg	–
20	42	16	28,1	28,5	3,1	8 500	10 000	0,11	► NCF 3004 CV
25	47	16	31,9	35,5	3,8	7 000	9 000	0,12	NCF 3005 CV
	62	24	68,2	68	8,5	4 500	5 600	0,38	NJG 2305 VH
30	55	19	39,6	44	5,3	13 000	15 000	0,2	► NCF 3006 CV
	72	27	84,2	86,5	11	4 000	4 800	0,56	NJG 2306 VH
35	62	20	48,4	56	6,55	5 300	6 700	0,26	NCF 3007 CV
	80	31	108	114	14,3	3 400	4 300	0,75	NJG 2307 VH
40	68	21	57,2	69,5	8,15	4 800	6 000	0,31	► NCF 3008 CV
	90	33	145	156	20	3 000	3 600	1	► NJG 2308 VH
45	75	23	60,5	78	9,15	4 300	5 300	0,4	NCF 3009 CV
	100	25	110	112	14	7 500	9 000	0,94	NJG 309 VH
	100	36	172	196	25,5	2 800	3 400	1,4	NJG 2309 VH
50	80	23	76,5	98	11,8	4 000	5 000	0,43	► NCF 3010 CV
	55	90	26	105	140	17,3	3 400	4 300	0,64
		120	43	233	260	33,5	2 200	2 800	2,3
60	85	16	55	80	9,15	3 600	4 500	0,27	NCF 2912 CV
	95	26	106	146	18,3	3 400	4 000	0,69	NCF 3012 CV
65	90	16	58,3	88	10,2	3 200	4 000	0,31	NCF 2913 CV
	100	26	112	163	20	3 000	3 800	0,73	NCF 3013 CV
	140	48	303	360	46,5	1 900	2 400	3,55	NJG 2313 VH
70	100	19	76,5	116	13,7	3 000	3 800	0,49	► NCF 2914 CV
	110	30	128	173	22,4	6 000	7 000	1	NCF 3014 CV
	150	51	336	400	50	1 800	2 200	4,4	NJG 2314 VH
75	105	19	79,2	125	14,6	2 800	3 600	0,52	NCF 2915 CV
	115	30	134	190	24,5	2 600	3 200	1,05	NCF 3015 CV
	160	55	396	480	60	1 600	2 000	5,35	NJG 2315 VH
80	110	19	80,9	132	15,6	2 600	3 400	0,55	► NCF 2916 CV
	125	34	165	228	29	2 400	3 000	1,45	NCF 3016 CV
	170	58	457	570	71	1 500	1 900	6,4	NJG 2316 VH
85	120	22	102	166	20,4	6 300	6 300	0,81	NCF 2917 CV
	130	34	172	236	30	2 400	3 000	1,5	NCF 3017 CV
	180	60	484	620	76,5	1 400	1 800	7,4	NJG 2317 VH

► Popular item



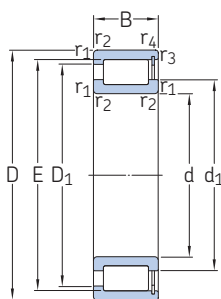
Dimensions							Abutment and fillet dimensions							Calculation factor
d	d ₁ ≈	D ₁ ≈	E, F	r _{1,2} min.	r _{3,4} min.	s max.	d _a min.	d _{as} ¹⁾	d _b max.	D _a max.	D _b max.	r _a max.	r _b max.	k _r
mm							mm							–
20	29	33	36,81	0,6	0,3 ²⁾	1,5	24	26,9	–	38	39	0,6	0,3	0,3
25	34	39	42,51	0,6	0,3	1,5	29	32,3	–	43	44	0,6	0,3	0,3
	36,1	48,2	31,74	1,1	–	1,7	31	33,9	30	55	–	1	–	0,35
30	40	45	49,6	1	0,3 ²⁾	2	35	37,8	–	50	52	1	0,3	0,3
	43,2	56,4	38,36	1,1	–	1,8	37	40,8	36,5	64	–	1	–	0,35
35	45	51	55,52	1	0,3	2	40	42,8	–	57	58	1	0,3	0,3
	50,4	65,8	44,75	1,5	–	2	43	47,6	42	71	–	1,5	–	0,35
40	50	58	61,74	1	0,3 ²⁾	2	45	47,9	–	63	65	1	0,3	0,3
	57,6	75,2	51,15	1,5	–	2,4	49	54,4	49	81	–	1,5	–	0,35
45	55	62	66,85	1	0,3	2	50	53	–	70	71	1	0,3	0,3
	62,5	80,1	56,14	1,5	–	1,7	54	59,3	54	91	–	1,5	–	0,35
	62,5	80,1	56,14	1,5	–	2,4	54	59,3	54	91	–	1,5	–	0,35
50	59	68	72,33	1	0,3 ²⁾	2	54	56,7	–	75	76	1	0,3	0,3
	55	68	79	83,54	1,1	0,6 ²⁾	2	62	65,8	–	84	86	1	0,6
75,5		98,6	67,14	2	–	2,6	65	71,3	64	109	–	2	–	0,35
60	69	74,5	78,65	1	0,6	1	64	66,8	–	80	80	1	0,5	0,2
	71	82	86,74	1,1	0,6	2	66	68,9	–	89	91	1	0,5	0,3
65	75,5	81	85,24	1	0,6	1	70	73,4	–	85	86	1	0,5	0,2
	78	88	93,09	1,1	0,6	2	71	75,6	–	94	95	1	0,5	0,3
	89,9	116	80,7	2,1	–	3	77	85,3	78	128	–	2	–	0,35
70	80,5	88,5	92,5	1	0,6 ²⁾	1	75	78,5	–	95	96	1	0,5	0,2
	81	95	100,28	1,1	0,6 ²⁾	3	75	78,6	–	104	105	1	0,5	0,3
	93,8	121	84,2	2,1	–	3	81	89	81	138	–	2	–	0,35
75	86	93	97,5	1	0,6	1	80	83,8	–	100	101	1	0,5	0,2
	89	103	107,9	1,1	0,6	3	81	86,5	–	109	110	1	0,5	0,3
	101	131	91,2	2,1	–	3	87	96,1	88	147	–	2	–	0,35
80	90,5	99	102,7	1	0,6 ²⁾	1	85	88,6	–	105	106	1	0,5	0,2
	95	111	116,99	1,1	0,6	4	86	92	–	119	120	1	0,5	0,3
	109	141	98,3	2,1	–	4	92	104	95	157	–	2	–	0,35
85	96	105	109,5	1,1	1	1	90	93,8	–	114	114	1	1	0,2
	99	116	121,44	1,1	0,6	4	91	96,2	–	123	125	1	0,5	0,3
	118	149	107	3	–	4	100	113	104	165	–	2,5	–	0,35

¹⁾ Recommended shaft abutment diameter for axially loaded bearings → Flange support, page 512

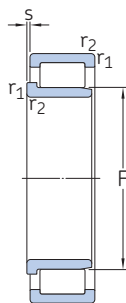
²⁾ Parameter r_{3,4} has either the value specified here or the same value as r_{1,2}.

6.3 Single row full complement cylindrical roller bearings

d 90 – 180 mm



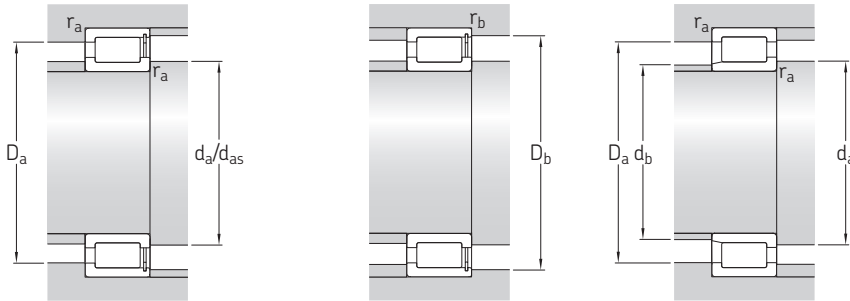
NCF



NJG

Principal dimensions			Basic load ratings		Fatigue load limit	Speed ratings		Mass	Designation
d	D	B	dynamic	static		Reference speed	Limiting speed		
			C	C ₀	P _u				
mm			kN		kN	r/min		kg	–
90	125	22	105	176	20,8	2 400	3 000	0,84	NCF 2918 CV
	140	37	198	280	35,5	2 200	2 800	1,95	NCF 3018 CV
	190	64	550	680	83	1 400	1 700	8,75	NJG 2318 VH
100	140	24	128	200	24,5	2 000	2 600	1,1	▶ NCF 2920 CV
	150	37	209	310	37,5	2 000	2 600	2,15	NCF 3020 CV
	215	73	704	900	106	1 200	1 500	13	NJG 2320 VH
110	150	24	134	220	26	1 900	2 400	1,2	▶ NCF 2922 CV
	170	45	275	400	48	3 800	4 500	3,5	NCF 3022 CV
	240	80	858	1 060	122	1 100	1 300	17,5	NJG 2322 VH
120	165	27	172	290	34,5	4 300	4 300	1,75	▶ NCF 2924 CV
	180	46	292	440	52	1 700	2 000	3,8	NCF 3024 CV
	215	58	512	735	85	1 400	1 700	9,05	NCF 2224 V
	260	86	952	1 250	140	1 000	1 200	22,5	NJG 2324 VH
130	180	30	205	360	40,5	1 600	2 000	2,35	▶ NCF 2926 CV
	200	52	413	620	72	1 500	1 900	5,8	NCF 3026 CV
	280	93	1 080	1 430	156	950	1 200	28	NJG 2326 VH
140	190	30	220	390	43	1 500	1 900	2,4	▶ NCF 2928 CV
	210	53	440	680	78	1 400	1 800	6,1	NCF 3028 CV
	250	68	693	1 020	114	1 200	1 500	14,5	NCF 2228 V
	300	102	1 230	1 660	180	850	1 100	35,5	NJG 2328 VH
150	210	36	292	490	55	1 400	1 700	3,75	▶ NCF 2930 CV
	225	56	457	710	80	1 300	1 700	7,5	NCF 3030 CV
	270	73	781	1 220	132	950	1 200	18,5	NCF 2230 V
	320	108	1 450	1 930	196	800	1 000	42,5	NJG 2330 VH
160	220	36	303	530	58,5	1 300	1 600	4	▶ NCF 2932 CV
	240	60	512	800	90	1 200	1 500	9,1	NCF 3032 CV
	290	80	990	1 500	160	950	1 200	23	NCF 2232 V
170	230	36	314	560	60	1 200	1 500	4,3	▶ NCF 2934 CV
	260	67	671	1 060	118	1 100	1 400	12,5	NCF 3034 CV
	310	86	1 100	1 700	176	900	1 100	28,5	NCF 2234 V
	360	120	1 760	2 450	236	700	900	59,5	NJG 2334 VH
180	250	42	391	695	75	1 100	1 400	6,2	▶ NCF 2936 CV
	280	74	781	1 250	134	1 100	1 300	16,5	NCF 3036 CV
	380	126	1 870	2 650	255	670	800	69,5	NJG 2336 VH

▶ Popular item

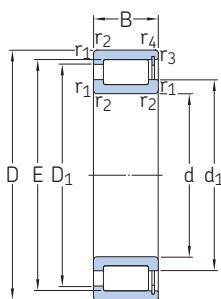


Dimensions			Abutment and fillet dimensions										Calculation factor	
d	d ₁ ≈	D ₁ ≈	E, F	r _{1,2} min.	r _{3,4} min.	s max.	d _a min.	d _{as} ¹⁾	d _b max.	D _a max.	D _b max.	r _a max.	r _b max.	k _r
mm							mm							-
90	102	111	115,6	1,1	1	1	96	99,8	-	119	119	1	1	0,2
	106	124	130,11	1,5	1	4	97	103	-	133	133	1,5	1	0,3
	117	152	108,8	3	-	4	102	111	102	176	-	2,5	-	0,35
100	114	126	130,6	1,1	1	1,3	106	111	-	134	134	1	1	0,2
	115	134	139,65	1,5	1	4	107	112	-	142	143	1,5	1	0,3
	133	173	122,8	3	-	4	114	128	119	201	-	2,5	-	0,35
110	124	136	141,1	1,1	1	1,3	116	122	-	144	144	1	1	0,2
	127	149	156,13	2	1	5,5	119	124	-	160	163	2	1	0,3
	151	198	134,3	3	-	5	124	143	130	225	-	2,5	-	0,35
120	136	149	154,3	1,1	1	1,3	126	133	-	159	159	1	1	0,2
	139	160	167,58	2	1	5,5	129	135	-	170	174	2	1	0,3
	150	184	192,32	2,1	2,1	4	131	145	-	204	204	2	2	0,3
	164	213	147,39	3	-	5	134	156	143	245	-	2,5	-	0,35
130	147	161	167,1	1,5	1,1	2	138	144	-	172	173	1,5	1	0,2
	149	175	183,81	2	1	5,5	138	144	-	190	193	2	1	0,3
	175	226	157,9	4	-	6	147	166	153	263	-	3	-	0,35
140	158	173	180	1,5	1,1	2	148	155	-	182	183	1,5	1	0,2
	163	189	197,82	2	1	5,5	150	158	-	200	203	2	1	0,3
	173	212	221,92	3	3	5	153	167	-	236	236	2,5	2,5	0,3
	187	241	168,5	4	-	6,5	157	178	163	283	-	3	-	0,35
150	169	189	196,4	2	1,1	2	159	166	-	201	203	2	1	0,2
	170	198	206,8	2,1	1,1	7	159	165	-	214	217	2	1	0,3
	184	227	236,71	3	3	6	163	178	-	256	256	2,5	2,5	0,3
	202	261	182,5	4	-	6,5	168	192	178	302	-	3	-	0,35
160	180	200	207,2	2	1,1	2,5	169	177	-	211	211	2	1	0,2
	185	215	224,86	2,1	1,1	7	171	180	-	230	233	2	1	0,3
	208	255	266,36	3	3	6	176	201	-	276	276	2,5	2,5	0,3
170	191	211	218	2	1,1	2,5	179	188	-	221	223	2	1	0,2
	198	232	242,85	2,1	1,1	7	181	192	-	249	252	2	1	0,3
	219	269	281,09	4	4	7	189	212	-	295	294	3	3	0,3
	227	291	203,55	4	-	7	187	215	198	342	-	3	-	0,35
180	203	223	232	2	1,1	2,5	189	199	-	241	243	2	1	0,2
	212	248	260,22	2,1	2,1	7	192	206	-	269	269	2	2	0,3
	245	309	221,75	4	-	8	199	233	215	361	-	3	-	0,35

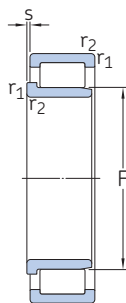
¹⁾ Recommended shaft abutment diameter for axially loaded bearings → Flange support, page 512

6.3 Single row full complement cylindrical roller bearings

d 190 – 340 mm



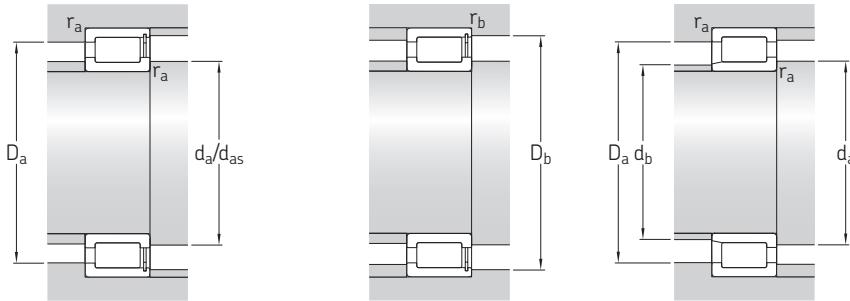
NCF



NJG

Principal dimensions			Basic load ratings		Fatigue load limit	Speed ratings		Mass	Designation
d	D	B	dynamic	static		Reference speed	Limiting speed		
			C	C ₀	P _u	r/min			
mm			kN		kN		kg	–	
190	260	42	440	780	81,5	1 100	1 400	6,5	▶ NCF 2938 CV
	290	75	792	1 290	140	1 000	1 300	17	▶ NCF 3038 CV
	340	92	1 250	1 900	196	800	1 000	35,5	▶ NCF 2238 V
	400	132	2 160	3 000	280	630	800	80	NJG 2338 VH
200	250	24	176	335	32,5	1 100	1 400	2,6	NCF 1840 V
	280	48	528	965	100	1 000	1 300	9,1	▶ NCF 2940 CV
	310	82	913	1 530	160	950	1 200	22,5	▶ NCF 3040 CV
	420	138	2 290	3 200	290	600	750	92	NJG 2340 VH
220	270	24	183	365	34,5	1 000	1 200	2,85	NCF 1844 V
	300	48	550	1 060	106	900	1 200	9,9	▶ NCF 2944 CV
	340	90	1 080	1 800	186	850	1 100	29,5	▶ NCF 3044 CV
	400	108	1 830	2 750	255	700	850	58	NCF 2244 V
	460	145	2 700	3 750	335	530	670	111	NJG 2344 VH
240	300	28	260	510	47,5	900	1 100	4,4	NCF 1848 V
	320	48	583	1 140	114	850	1 100	10,5	▶ NCF 2948 CV
	360	92	1 140	1 960	200	800	1 000	32	▶ NCF 3048 CV
	500	155	3 140	4 400	390	480	600	147	NJG 2348 VH
260	320	28	270	550	50	800	1 000	4,55	NCF 1852 V
	360	60	737	1 430	143	750	950	18	▶ NCF 2952 CV
	400	104	1 540	2 550	250	700	900	46,5	▶ NCF 3052 CV
	540	165	3 580	5 000	430	430	530	177	NJG 2352 VH
280	350	33	341	695	64	750	950	7,1	NCF 1856 V
	380	60	880	1 730	166	700	900	19,5	▶ NCF 2956 CV
	420	106	1 570	2 650	260	670	850	50	▶ NCF 3056 CV
300	380	38	418	850	75	670	850	10	NCF 1860 V
	420	72	1 120	2 200	208	630	800	31	▶ NCF 2960 CV
	460	118	1 900	3 250	300	600	750	65,5	▶ NCF 3060 CV
320	400	38	440	900	80	630	800	10,5	NCF 1864 V
	440	72	1 140	2 360	220	600	750	33	▶ NCF 2964 V
	480	121	1 980	3 450	310	560	700	71	▶ NCF 3064 CV
340	420	38	446	950	83	600	750	11	NCF 1868 V
	460	72	1 190	2 500	228	560	700	35	▶ NCF 2968 V
	520	133	2 380	4 150	355	530	670	95	▶ NCF 3068 CV

▶ Popular item

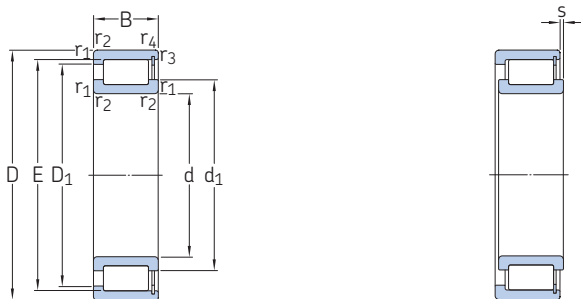


Dimensions							Abutment and fillet dimensions							Calculation factor
d	d ₁ ≈	D ₁ ≈	E, F	r _{1,2} min.	r _{3,4} min.	s max.	d _a min.	d _{as} ¹⁾	d _b max.	D _a max.	D _b max.	r _a max.	r _b max.	k _r
mm							mm							–
190	212	236	244	2	1,1	2	199	208	–	250	252	2	1	0,2
	222	258	269,76	2,1	2,1	8	202	216	–	279	279	2	2	0,3
	243	296	310,68	4	4	7	209	235	–	325	324	3	3	0,3
	250	320	224,544	5	–	8	210	239	222	378	–	4	–	0,35
200	218	231	237,5	1,5	1,1	1,8	207	215	–	243	244	1,5	1	0,1
	226	253	262	2,1	1,5	3	211	222	–	269	271	2	1,5	0,2
	237	275	287,75	2,1	2,1	9	213	230	–	299	299	2	2	0,3
	266	342	238,65	5	–	9	221	252	232	398	–	4	–	0,35
220	238	252	258	1,5	1,1	1,8	227	235	–	263	264	1,5	1	0,1
	247	274	283	2,1	1,5	3	231	243	–	289	291	2	1,5	0,2
	255	298	312,2	3	3	9	233	248	–	327	327	2,5	2,5	0,3
	277	349	366	4	4	8	239	268	–	385	383	3	3	0,3
	295	383	266,7	5	–	10	240	281	259	440	–	4	–	0,35
240	263	279	287	2	1,1	1,8	249	259	–	291	294	2	1	0,1
	267	294	303	2,1	1,5	3	251	263	–	309	311	2	1,5	0,2
	278	321	335,1	3	3	11	254	271	–	347	347	2,5	2,5	0,3
	310	403	287,75	5	–	10	260	295	282	480	–	4	–	0,35
260	283	299	307,2	2	1,1	1,8	269	279	–	311	313	2	1	0,1
	291	323	333,7	2,1	1,5	3,5	271	287	–	348	350	2	1,5	0,2
	304	358	375,97	4	4	11	277	295	–	384	384	3	3	0,3
	349	456	315,9	6	–	11	286	332	308	514	–	5	–	0,35
280	307	325	334	2	1,1	2,5	290	303	–	341	343	2	1	0,1
	314	348	359,1	2,1	1,5	3	291	309	–	368	370	2	1,5	0,2
	319	373	390,3	4	4	11	295	310	–	404	404	3	3	0,3
300	331	353	363	2,1	1,5	3	311	326	–	369	372	2	1,5	0,1
	341	375	390,5	3	3	5	314	334	–	405	405	2,5	2,5	0,2
	355	413	433	4	4	14	315	344	–	445	445	3	3	0,3
320	351	373	383	2,1	1,5	3	331	346	–	389	392	2	1,5	0,1
	359	401	411	3	3	5	333	353	–	427	427	2,5	2,5	0,2
	368	434	449,5	4	4	14	335	359	–	465	465	3	3	0,3
340	371	393	403	2,1	1,5	3	351	366	–	409	412	2	1,5	0,1
	378	421	431	3	3	5	353	373	–	447	447	2,5	2,5	0,2
	395	468	485,65	5	5	14	358	384	–	502	502	4	4	0,3

¹⁾ Recommended shaft abutment diameter for axially loaded bearings → Flange support, page 512

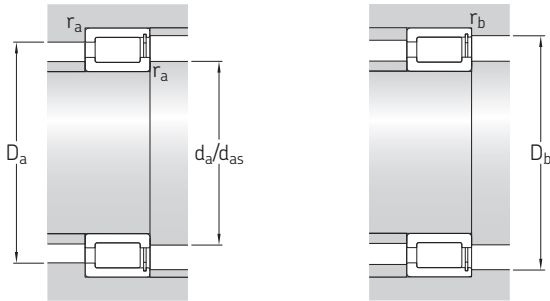
6.3 Single row full complement cylindrical roller bearings

d 360 – 560 mm



Principal dimensions			Basic load ratings		Fatigue load limit	Speed ratings		Mass	Designation
d	D	B	C	C ₀	P _u	Reference speed	Limiting speed		
mm			kN		kN	r/min		kg	–
360	440	38	402	900	76,5	560	700	11,5	▶ NCF 1872 V
	480	72	1 230	2 600	240	530	670	36,5	▶ NCF 2972 CV
	540	134	2 420	4 300	365	500	630	105	NCF 3072 CV
380	480	46	627	1 290	114	530	670	19,5	▶ NCF 1876 V
	520	82	1 570	3 250	300	500	630	52	▶ NCF 2976 V
	560	135	2 700	5 100	425	480	600	110	NCF 3076 V
400	500	46	627	1 340	118	500	630	20,5	▶ NCF 1880 V
	540	82	1 650	3 450	310	480	600	54,5	▶ NCF 2980 CV
	600	148	2 970	5 500	450	450	560	145	NCF 3080 CV
420	520	46	660	1 430	122	480	600	20,5	▶ NCF 1884 V
	560	82	1 650	3 600	315	450	560	57	▶ NCF 2984 V
	620	150	3 030	5 700	455	430	530	150	NCF 3084 CV
440	540	46	671	1 460	125	450	560	22	▶ NCF 1888 V
	540	60	1 060	2 700	232	450	560	30	NCF 2888 V
	600	95	2 010	4 400	380	430	530	80	▶ NCF 2988 V
460	580	72	1 300	3 050	260	430	530	44	NCF 2892 V/HB1
	620	95	2 050	4 500	390	400	500	83	▶ NCF 2992 V
	680	163	3 690	6 950	540	380	480	195	NCF 3092 CV
480	600	56	935	2 040	170	400	500	35,5	NCF 1896 V
	600	72	1 320	3 150	265	400	500	46	NCF 2896 V
	650	100	2 290	4 900	405	380	480	93	▶ NCF 2996 V
	700	165	3 740	7 200	550	360	450	205	NCF 3096 CV
500	620	56	952	2 120	173	380	480	35,5	▶ NCF 18/500 V
	620	72	1 340	3 350	275	380	480	47	NCF 28/500 V
	670	100	2 380	5 300	430	360	450	100	NCF 29/500 V
	720	167	3 800	7 500	570	360	450	215	NCF 30/500 CV
530	650	56	990	2 240	180	360	450	38,5	▶ NCF 18/530 V
	650	72	1 400	3 450	285	360	450	49,5	NCF 28/530 V
	710	106	2 700	6 000	465	340	430	120	NCF 29/530 V
	780	185	5 230	10 600	780	320	400	300	NCF 30/530 V
560	680	56	1 020	2 360	186	340	430	39	▶ NCF 18/560 V/HB1
	680	72	1 420	3 650	300	340	430	54	▶ NCF 28/560 V
	750	112	3 030	6 700	490	320	400	140	NCF 29/560 V/HB1
	820	195	5 830	11 800	865	300	380	345	NCF 30/560 V

▶ Popular item

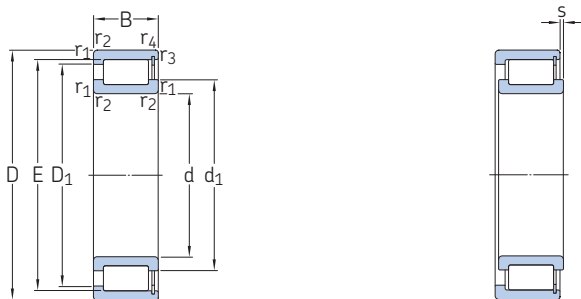


Dimensions			Abutment and fillet dimensions										Calculation factor		
d	d ₁ ≈	D ₁ ≈	E, F	r _{1,2} min.	r _{3,4} min.	s max.	d _a min.	d _{as} ¹⁾	d _b max.	D _a max.	D _b max.	r _a max.	r _b max.	k _r	
mm							mm							-	
360	388	413	418,9	2,1	2,1	3	371	384	-	429	433	2	2	0,1	
	404	437	451,5	3	3	5	373	396	-	467	467	2,5	2,5	0,2	
	412	486	503,45	5	5	14	378	402	-	522	522	4	4	0,3	
380	416	448	458	2,1	2,1	3,5	391	411	-	469	473	2	2	0,1	
	427	474	488	4	4	5	395	420	-	505	505	3	3	0,2	
	431	504	520,5	5	5	14	398	420	-	542	542	4	4	0,3	
400	433	465	475	2,1	2,1	3,5	411	428	-	489	493	2	2	0,1	
	449	499	511	4	4	5	415	442	-	525	525	3	3	0,2	
	460	540	558	5	5	14	418	449	-	582	582	4	4	0,3	
420	457	489	499	2,1	2,1	3,5	431	452	-	509	513	2	2	0,1	
	462	512	524	4	4	5	435	455	-	545	545	3	3	0,2	
	480	559	577,6	5	5	15	438	469	-	602	602	4	4	0,3	
440	474	506	516	2,1	2,1	3,5	451	469	-	529	533	2	2	0,1	
	474	508	516	2,1	2,1	3,5	451	469	-	529	533	2	2	0,11	
	502	545	565,5	4	4	6	455	492	-	585	585	3	3	0,2	
460	501	543	553	3	3	5	473	495	-	567	567	2,5	2,5	0,11	
	516	558	579	4	4	6	475	506	-	605	605	3	3	0,2	
	522	611	632,97	6	6	16	483	511	-	657	657	5	5	0,3	
480	522	561	573,5	3	3	5	493	516	-	587	587	2,5	2,5	0,1	
	520	562	573,5	3	3	5	493	515	-	587	587	2,5	2,5	0,11	
	538	584	615	5	5	7	498	527	-	632	632	4	4	0,2	
	546	628	654	6	6	16	503	532	-	677	677	5	5	0,3	
500	542	582	594	3	3	5	513	536	-	607	607	2,5	2,5	0,1	
	541	582	594	3	3	2,4	513	536	-	607	607	2,5	2,5	0,11	
	553	611	634,5	5	5	7	518	544	-	652	652	4	4	0,2	
	565	650	676	6	6	16	523	553	-	697	697	5	5	0,3	
530	573	612	624,5	3	3	5	543	567	-	637	637	2,5	2,5	0,1	
	572	614	624,5	3	3	5	543	566	-	637	637	2,5	2,5	0,11	
	598	648	673	5	5	7	548	587	-	692	692	4	4	0,2	
	610	702	732	6	6	16	553	595	-	757	757	5	5	0,3	
560	603	643	655	3	3	5	573	597	-	667	667	2,5	2,5	0,1	
	606	637	655	3	3	4,3	573	599	-	667	667	2,5	2,5	0,11	
	628	682	709	5	5	7	578	615	-	732	732	4	4	0,2	
	642	738	770	6	6	16	583	626	-	797	797	5	5	0,3	

¹⁾ Recommended shaft abutment diameter for axially loaded bearings → Flange support, page 512

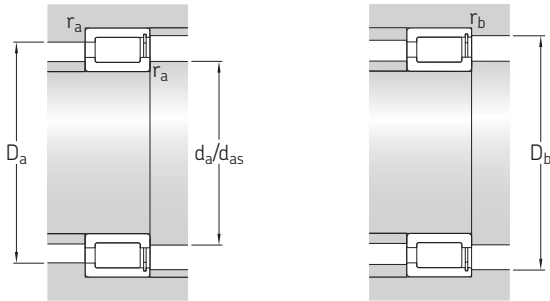
6.3 Single row full complement cylindrical roller bearings

d 600 – 1 120 mm



Principal dimensions			Basic load ratings		Fatigue load limit	Speed ratings		Mass	Designation
d	D	B	dynamic	static		Reference speed	Limiting speed		
			C	C ₀	P _u				
mm			kN		kN	r/min	kg	–	
600	730	60	1 050	2 550	196	320	400	51,5	▶ NCF 18/600 V NCF 28/600 V/HB1 NCF 29/600 V
	730	78	1 570	4 300	340	320	400	67,5	
	800	118	3 360	7 500	550	300	380	170	
630	780	69	1 250	2 900	232	300	360	72,5	▶ NCF 18/630 V NCF 28/630 V NCF 29/630 V
	780	88	1 940	5 000	390	300	360	92	
	850	128	3 740	8 650	610	280	340	205	
670	820	69	1 300	3 150	245	280	340	74	▶ NCF 18/670 V ▶ NCF 28/670 V NCF 29/670 V
	820	88	1 940	5 300	415	280	340	98	
	900	136	3 910	9 000	630	260	320	245	
710	870	74	1 540	3 750	285	260	320	92,5	NCF 18/710 V NCF 28/710 V NCF 29/710 V
	870	95	2 330	6 300	480	260	320	115	
	950	140	4 290	10 000	695	240	300	275	
750	920	78	1 760	4 300	315	240	300	105	▶ NCF 18/750 V NCF 28/750 V NCF 29/750 V
	920	100	2 640	6 950	520	240	300	139	
	1 000	145	4 460	10 600	710	220	280	313	
800	980	82	1 940	4 800	345	220	280	126	NCF 18/800 V ▶ NCF 28/800 V NCF 29/800 V
	980	106	2 750	7 500	550	220	280	169	
	1 060	150	4 950	12 000	800	200	260	359	
850	1 030	82	2 050	5 200	375	200	260	131	NCF 18/850 V NCF 28/850 V NCF 29/850 V
	1 030	106	2 860	8 000	570	200	260	175	
	1 120	155	5 230	12 700	830	190	240	406	
900	1 090	85	2 240	5 700	405	190	240	154	NCF 18/900 V/HB1 NCF 28/900 V NCF 29/900 V
	1 090	112	3 190	9 150	655	190	240	210	
	1 180	165	5 940	14 600	950	170	220	472	
950	1 150	90	2 420	6 300	425	170	220	185	NCF 18/950 V NCF 28/950 V NCF 29/950 V
	1 150	118	3 410	9 800	655	170	220	240	
	1 250	175	6 600	16 300	1 020	160	200	565	
1 000	1 220	100	2 920	7 500	455	160	200	230	NCF 18/1000 V NCF 28/1000 V NCF 29/1000 V
	1 220	128	4 130	11 600	720	160	200	309	
	1 320	185	7 480	18 600	1 160	150	180	680	
1 120	1 360	106	3 740	9 650	585	130	170	298	NCF 18/1120 V

▶ Popular item

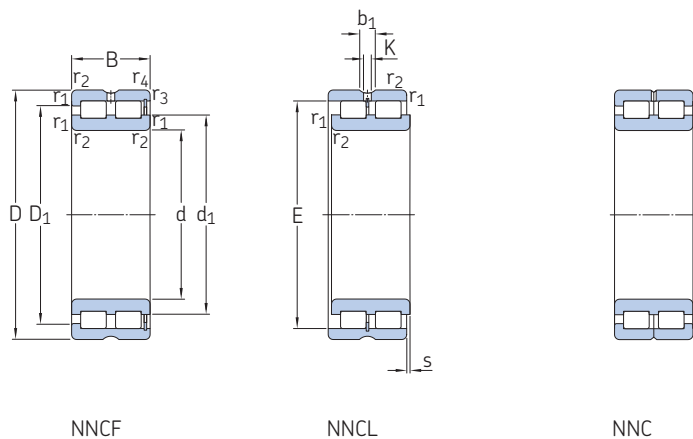


Dimensions				Abutment and fillet dimensions										Calculation factor
d	d ₁ ≈	D ₁ ≈	E, F	r _{1,2} min.	r _{3,4} min.	s max.	d _a min.	d _{as} ¹⁾	d _b max.	D _a max.	D _b max.	r _a max.	r _b max.	k _r
mm							mm							-
600	644	684	696	3	3	7	613	638	-	717	717	2,5	2,5	0,1
	642	685	696	3	3	5,4	613	637	-	717	717	2,5	2,5	0,11
	662	726	754	5	5	7	618	652	-	782	782	4	4	0,2
630	681	725	739	4	4	8	645	674	-	765	765	3	3	0,1
	680	728	741,4	4	4	8	645	674	-	765	765	3	3	0,11
	709	788	807	6	6	8	653	698	-	827	827	5	5	0,2
670	725	769	783	4	4	8	685	718	-	805	805	3	3	0,1
	724	772	783	4	4	8	685	718	-	805	805	3	3	0,11
	748	827	846	6	6	10	693	737	-	877	877	5	5	0,2
710	767	815	831	4	4	8	725	759	-	855	855	3	3	0,1
	766	818	831	4	4	8	725	759	-	855	855	3	3	0,11
	790	876	896	6	6	10	733	761	-	927	927	5	5	0,2
750	811	863	880	5	5	8	768	802	-	902	902	4	4	0,1
	810	867	878	5	5	8	768	799	-	902	902	4	4	0,11
	832	918	938	6	6	11	773	820	-	977	977	5	5	0,2
800	863	922	936	5	5	9	818	855	-	962	962	4	4	0,1
	863	922	936	5	5	10	818	855	-	962	962	4	4	0,11
	891	981	1 002	6	6	11	823	860	-	1 037	1 037	5	5	0,2
850	911	972	986	5	5	9	868	903	-	1 012	1 012	4	4	0,1
	911	972	986	5	5	10	868	903	-	1 012	1 012	4	4	0,11
	943	1 039	1 061	6	6	13	873	914	-	1 097	1 097	5	5	0,2
900	966	1 029	1 044	5	5	9	918	957	-	1 072	1 072	4	4	0,1
	966	1 029	1 044	5	5	10	918	957	-	1 072	1 072	4	4	0,11
	996	1 096	1 120	6	6	13	923	982	-	1 127	1 127	5	5	0,2
950	1 021	1 087	1 103	5	5	10	968	1 012	-	1 132	1 132	4	4	0,1
	1 021	1 087	1 103	5	5	12	968	1 012	-	1 132	1 132	4	4	0,11
	1 048	1 154	1 179	7,5	7,5	14	978	1 033	-	1 222	1 222	6	6	0,2
1 000	1 073	1 148	1 165	6	6	12	1 023	1 063	-	1 197	1 197	5	5	0,1
	1 073	1 148	1 165	6	6	12	1 023	1 063	-	1 197	1 197	5	5	0,11
	1 113	1 226	1 252	7,5	7,5	14	1 028	1 091	-	1 292	1 292	6	6	0,2
1 120	1 206	1 290	1 310	6	6	12	1 143	1 194	-	1 337	1 337	5	5	0,1

¹⁾ Recommended shaft abutment diameter for axially loaded bearings → Flange support, page 512

6.4 Double row full complement cylindrical roller bearings

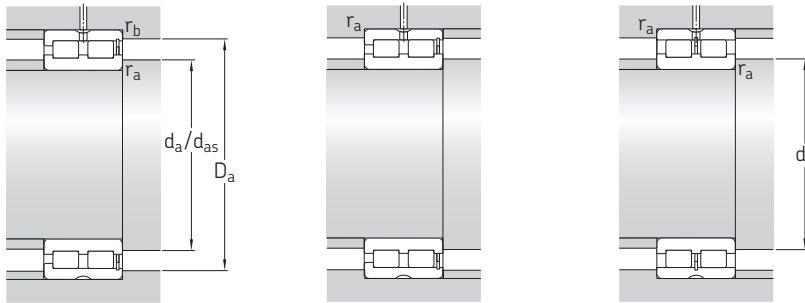
d 20 – 90 mm



Principal dimensions			Basic load ratings		Fatigue load limit	Speed ratings		Mass	Designation
d	D	B	C	C ₀	P _u	Reference speed	Limiting speed		
mm			kN		kN	r/min		kg	–
20	42	30	52,3	57	6,2	8 500	10 000	0,2	NNCF 5004 CV
25	47	30	59,4	71	7,65	7 000	9 000	0,23	NNCF 5005 CV
30	55	34	73,7	88	10	6 000	7 500	0,35	NNCF 5006 CV
35	62	36	89,7	112	12,9	5 300	6 700	0,46	NNCF 5007 CV
40	68	38	106	140	17	4 800	6 000	0,56	NNCF 5008 CV
45	75	40	112	156	18,3	4 300	5 300	0,71	NNCF 5009 CV
50	80	40	142	196	23,6	4 000	5 000	0,76	NNCF 5010 CV
55	90	46	190	280	34,5	3 400	4 300	1,15	NNCF 5011 CV
60	85	25	78,1	137	14,3	3 600	4 500	0,48	NNCF 4912 CV
	85	25	78,1	137	14,3	3 600	4 500	0,47	NNCL 4912 CV
	85	25	78,1	137	14,3	3 600	4 500	0,49	NNC 4912 CV
	95	46	198	300	36,5	3 400	4 000	1,25	NNCF 5012 CV
65	100	46	209	325	40	3 000	3 800	1,3	NNCF 5013 CV
70	100	30	114	193	22,4	3 000	3 800	0,77	NNCF 4914 CV
	100	30	114	193	22,4	3 000	3 800	0,75	NNCL 4914 CV
	100	30	114	193	22,4	3 000	3 800	0,78	NNC 4914 CV
	110	54	238	345	45	2 800	3 600	1,85	NNCF 5014 CV
75	115	54	251	380	49	2 600	3 200	1,95	NNCF 5015 CV
80	110	30	121	216	25	2 600	3 400	0,87	NNCF 4916 CV
	110	30	121	216	25	2 600	3 400	0,85	NNCL 4916 CV
	110	30	121	216	25	2 600	3 400	0,88	NNC 4916 CV
	125	60	308	455	58,5	2 400	3 000	2,6	NNCF 5016 CV
85	130	60	314	475	60	2 400	3 000	2,7	NNCF 5017 CV
90	125	35	161	300	35,5	2 400	3 000	1,35	NNCF 4918 CV
	125	35	161	300	35,5	2 400	3 000	1,3	NNCL 4918 CV
	125	35	161	300	35,5	2 400	3 000	1,35	NNC 4918 CV
	140	67	369	560	69,5	2 200	2 800	3,6	NNCF 5018 CV

6.4





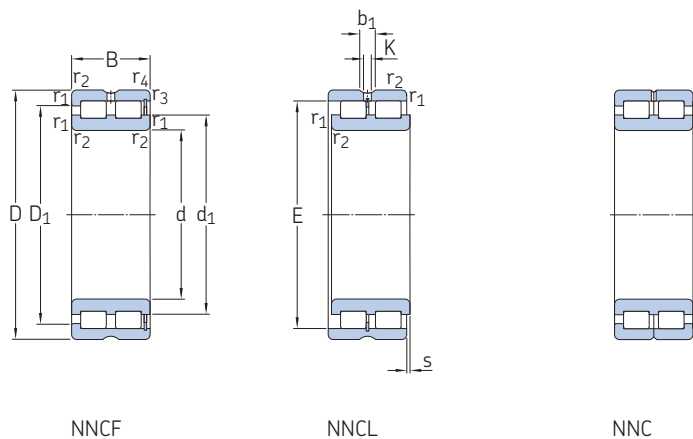
Dimensions									Abutment and fillet dimensions					Calculation factor
d	d ₁ ≈	D ₁ ≈	E	b ₁	K	r _{1,2} min.	r _{3,4} min.	s max.	d _a min.	d _{as} ¹⁾	D _a max.	r _a max.	r _b max.	k _r
mm									mm					
20	28,4	33,2	–	4,5	3	0,6	0,3 ²⁾	1	23,2	25,6	38,7	0,5	0,3	0,5
25	34,5	38,5	–	4,5	3	0,6	0,3 ²⁾	1	28,7	31,5	43,5	0,5	0,3	0,5
30	40	45,5	–	4,5	3	1	0,3 ²⁾	1,5	34,7	37,8	50	1	0,3	0,5
35	45	51,5	–	4,5	3	1	0,3 ²⁾	1,5	40,2	42,6	57	1	0,3	0,5
40	50,5	57,2	–	4,5	3	1	0,3 ²⁾	1,5	44,8	47,7	63	1	0,3	0,5
45	55,3	62,5	–	4,5	3	1	0,3 ²⁾	1,5	51	52,8	70	1	0,3	0,5
50	59	67,5	–	4,5	3	1	0,3 ²⁾	1,5	56	56,7	74	1	0,3	0,5
55	68,5	78,7	–	4,5	3,5	1,1	0,6 ²⁾	1,5	61	64,8	84	1	0,5	0,5
60	70,5	73,5	–	4,5	3,5	1	1	1	65	67,6	80	1	1	0,25
	70,5	–	77,51	4,5	3,5	1	–	1	65	–	80	1	–	0,25
	70,5	73,5	–	4,5	3,5	1	–	–	65	67,6	80	1	–	0,25
	71,5	82	–	4,5	3,5	1,1	0,6 ²⁾	1,5	66	68,9	89	1	0,5	0,5
65	78	88,3	–	4,5	3,5	1,1	0,6 ²⁾	1,5	72	75	94	1	0,5	0,5
70	83	87	–	4,5	3,5	1	1	1	76	79	95	1	1	0,25
	83	–	91,87	4,5	3,5	1	–	1	76	–	95	1	–	0,25
	83	87	–	4,5	3,5	1	–	–	76	79	95	1	–	0,25
	81,5	95	–	5	3,5	1,1	0,6 ²⁾	3	76	79	105	1	0,5	0,5
75	89	103	–	5	3,5	1,1	0,6 ²⁾	3	81	85	109	1	0,5	0,5
80	92	96	–	5	3,5	1	1	1	85	88	105	1	1	0,25
	92	–	100,78	5	3,5	1	–	1	85	–	105	1	–	0,25
	92	96	–	5	3,5	1	–	–	85	88	105	1	–	0,25
	95	111	–	5	3,5	1,1	0,6 ²⁾	3,5	86	91	119	1	0,5	0,5
85	99,5	116	–	5	3,5	1,1	0,6 ²⁾	3,5	91	95	124	1	0,5	0,5
90	103	110	–	5	3,5	1,1	1,1	1,5	96	99	119	1	1	0,25
	103	–	115,2	5	3,5	1,1	–	1,5	96	–	119	1	–	0,25
	103	110	–	5	3,5	1,1	–	–	96	99	119	1	–	0,25
	106	124	–	5	3,5	1,5	1 ²⁾	4	98	102	133	1,5	1	0,5

¹⁾ Recommended shaft abutment diameter for axially loaded bearings → Flange support, page 512

²⁾ Parameter r_{3,4} has either the value specified here or the same value as r_{1,2}.

6.4 Double row full complement cylindrical roller bearings

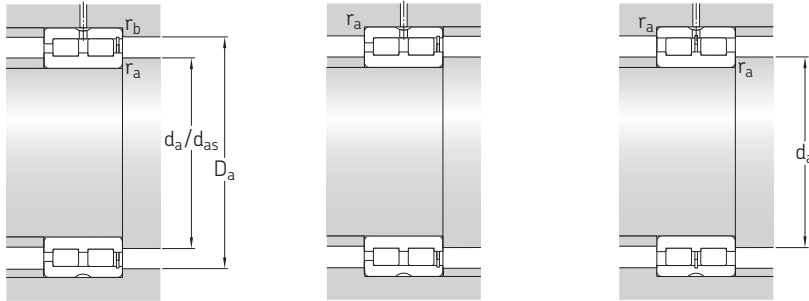
d 100 – 150 mm



Principal dimensions			Basic load ratings		Fatigue load limit	Speed ratings		Mass	Designation
d	D	B	C	C ₀	P _u	Reference speed	Limiting speed		
mm			kN		kN	r/min		kg	–
100	140	40	209	400	46,5	2 000	2 600	1,95	NNCF 4920 CV
	140	40	209	400	46,5	2 000	2 600	1,9	NNCL 4920 CV
	140	40	209	400	46,5	2 000	2 600	1,95	NNC 4920 CV
	150	67	391	620	75	2 000	2 600	3,95	NNCF 5020 CV
110	150	40	220	430	49	1 900	2 400	2,1	NNCF 4922 CV
	150	40	220	430	49	1 900	2 400	2,1	NNCL 4922 CV
	150	40	220	430	49	1 900	2 400	2,15	NNC 4922 CV
	170	80	512	800	95	1 800	2 200	6,3	NNCF 5022 CV
120	165	45	242	480	53	1 700	2 200	2,9	NNCF 4924 CV
	165	45	242	480	53	1 700	2 200	2,85	NNCL 4924 CV
	165	45	242	480	53	1 700	2 200	2,95	NNC 4924 CV
	180	80	539	880	104	1 700	2 000	6,75	NNCF 5024 CV
130	180	50	297	530	60	1 600	2 000	3,9	NNCF 4926 CV
	180	50	297	530	60	1 600	2 000	3,8	NNCL 4926 CV
	180	50	297	530	60	1 600	2 000	3,95	NNC 4926 CV
	200	95	765	1 250	143	1 500	1 900	10	NNCF 5026 CV
140	190	50	308	570	63	1 500	1 900	4,15	NNCF 4928 CV
	190	50	308	570	63	1 500	1 900	4,1	NNCL 4928 CV
	190	50	308	570	63	1 500	1 900	4,2	NNC 4928 CV
	210	95	809	1 370	153	1 400	1 800	11	NNCF 5028 CV
150	190	40	255	585	60	1 500	1 800	2,8	NNCF 4830 CV
	190	40	255	585	60	1 500	1 800	2,7	NNCL 4830 CV
	190	40	255	585	60	1 500	1 800	2,9	NNC 4830 CV
	210	60	429	830	91,5	1 400	1 700	6,55	NNCF 4930 CV
	210	60	429	830	91,5	1 400	1 700	6,45	NNCL 4930 CV
	210	60	429	830	91,5	1 400	1 700	6,65	NNC 4930 CV
	225	100	842	1 430	160	1 300	1 700	13,5	NNCF 5030 CV

6.4





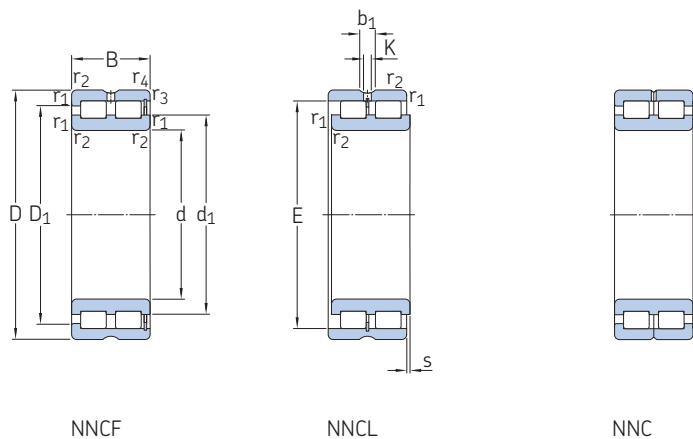
Dimensions									Abutment and fillet dimensions					Calculation factor
d	d ₁ ≈	D ₁ ≈	E	b ₁	K	r _{1,2} min.	r _{3,4} min.	s max.	d _a min.	d _{as} ¹⁾	D _a max.	r _a max.	r _b max.	k _r
mm									mm					
100	116	125	–	5	3,5	1,1	1,1	2	106	111	134	1	1	0,25
	116	–	129,6	5	3,5	1,1	–	2	106	–	134	1	–	0,25
	116	125	–	5	3,5	1,1	–	–	106	111	134	1	–	0,25
	116	134	–	6	3,5	1,5	1 ²⁾	4	108	113	143	1,5	1	0,5
110	125	134	–	6	3,5	1,1	1,1	2	116	121	144	1	1	0,25
	125	–	138,2	6	3,5	1,1	–	2	116	–	144	1	–	0,25
	125	134	–	6	3,5	1,1	–	–	116	121	144	1	–	0,25
	127	149	–	6	3,5	2	1 ²⁾	5	120	124	161	2	1	0,5
120	139	148	–	6	3,5	1,1	1,1	3	126	136	159	1	1	0,25
	139	–	153,55	6	3,5	1,1	–	3	126	–	159	1	–	0,25
	139	148	–	6	3,5	1,1	–	–	126	133	159	1	–	0,25
	139	160	–	6	3,5	2	1 ²⁾	5	130	130	171	2	1	0,5
130	149	160	–	6	3,5	1,5	1,5	4	138	144	173	1,5	1,5	0,25
	149	–	165,4	6	3,5	1,5	–	4	138	–	173	1,5	–	0,25
	149	160	–	6	3,5	1,5	–	–	138	144	173	1,5	–	0,25
	149	175	–	7	4	2	1 ²⁾	5	141	145	190	2	1	0,5
140	160	170	–	6	3,5	1,5	1,5	4	148	154	182	1,5	1,5	0,25
	160	–	175,9	6	3,5	1,5	–	4	148	–	182	1,5	–	0,25
	160	170	–	6	3,5	1,5	–	–	148	154	182	1,5	–	0,25
	163	189	–	7	4	2	1 ²⁾	5	151	157	200	2	1	0,5
150	166	173	–	7	4	1,1	1,1	2	156	161	184	1	1	0,2
	166	–	178,3	7	4	1,1	–	2	156	–	184	1	–	0,2
	166	173	–	7	4	1,1	–	–	156	161	184	1	–	0,2
	171	187	–	7	4	2	2	4	159	165	201	2	2	0,25
	171	–	192,77	7	4	2	–	4	159	–	201	2	–	0,25
	171	187	–	7	4	2	–	–	159	165	201	2	–	0,25
	170	198	–	7	4	2	1,1 ²⁾	6	160	166	217	2	1	0,5

¹⁾ Recommended shaft abutment diameter for axially loaded bearings → *Flange support*, page 512

²⁾ Parameter r_{3,4} has either the value specified here or the same value as r_{1,2}.

6.4 Double row full complement cylindrical roller bearings

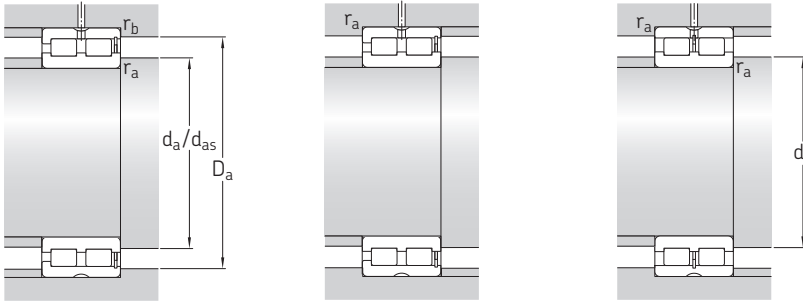
d 160 – 190 mm



Principal dimensions			Basic load ratings		Fatigue load limit	Speed ratings		Mass	Designation
d	D	B	C	C ₀	P _u	Reference speed	Limiting speed		
mm			kN		kN	r/min		kg	–
160	200	40	260	610	62	1 400	1 700	3	NNCF 4832 CV
	200	40	260	610	62	1 400	1 700	2,9	NNCL 4832 CV
	200	40	260	610	62	1 400	1 700	3,1	NNC 4832 CV
	220	60	446	915	96,5	1 300	1 600	6,9	NNCF 4932 CV
	220	60	446	915	96,5	1 300	1 600	6,8	NNCL 4932 CV
	220	60	446	915	96,5	1 300	1 600	7	NNC 4932 CV
	240	109	952	1 600	180	1 200	1 500	16	NNCF 5032 CV
170	215	45	286	655	65,5	1 300	1 600	4	NNCF 4834 CV
	215	45	286	655	65,5	1 300	1 600	3,9	NNCL 4834 CV
	215	45	286	655	65,5	1 300	1 600	4	NNC 4834 CV
	230	60	457	950	100	1 200	1 500	7,2	NNCF 4934 CV
	230	60	457	950	100	1 200	1 500	7,1	NNCL 4934 CV
	230	60	457	950	100	1 200	1 500	7,35	NNC 4934 CV
	260	122	1 230	2 120	236	1 100	1 400	23	NNCF 5034 CV
180	225	45	297	695	69,5	1 200	1 500	4,2	NNCF 4836 CV
	225	45	297	695	69,5	1 200	1 500	4,1	NNCL 4836 CV
	225	45	297	695	69,5	1 200	1 500	4,3	NNC 4836 CV
	250	69	594	1 220	127	1 100	1 400	10,5	NNCF 4936 CV
	250	69	594	1 220	127	1 100	1 400	10,5	NNCL 4936 CV
	250	69	594	1 220	127	1 100	1 400	11	NNC 4936 CV
	280	136	1 420	2 500	270	1 100	1 300	30,5	NNCF 5036 CV
190	240	50	358	750	76,5	1 100	1 400	5,5	NNCF 4838 CV
	240	50	358	750	76,5	1 100	1 400	5,3	NNCL 4838 CV
	240	50	358	750	76,5	1 100	1 400	5,65	NNC 4838 CV
	260	69	605	1 290	132	1 100	1 400	11	NNCF 4938 CV
	260	69	605	1 290	132	1 100	1 400	11	NNCL 4938 CV
	260	69	605	1 290	132	1 100	1 400	11	NNC 4938 CV
	290	136	1 470	2 600	280	1 000	1 300	31,5	NNCF 5038 CV

6.4





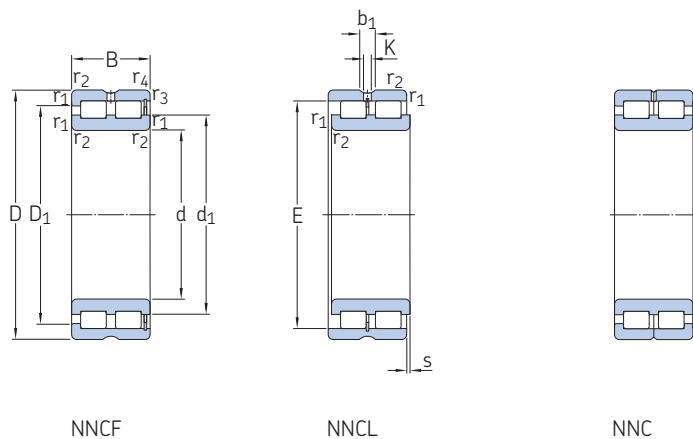
Dimensions									Abutment and fillet dimensions					Calculation factor
d	d ₁ ≈	D ₁ ≈	E	b ₁	K	r _{1,2} min.	r _{3,4} min.	s max.	d _a min.	d _{as} ¹⁾	D _a max.	r _a max.	r _b max.	k _r
mm									mm					
160	174	182	–	7	4	1,1	1,1	2	166	170	194	1	1	0,2
	174	–	186,9	7	4	1,1	–	2	166	–	194	1	–	0,2
	174	182	–	7	4	1,1	–	–	166	170	194	1	–	0,2
	185	200	–	7	4	2	2	4	170	177	211	2	2	0,25
	185	–	206,16	7	4	2	–	4	170	–	211	2	–	0,25
	185	200	–	7	4	2	–	–	170	177	211	2	–	0,25
	185	216	–	7	4	2,1	1,1 ²⁾	6	171	178	231	2	1	0,5
170	187	196	–	7	4	1,1	1,1	3	176	182	209	1	1	0,2
	187	–	201,3	7	4	1,1	–	3	176	–	209	1	–	0,2
	187	196	–	7	4	1,1	–	–	176	182	209	1	–	0,2
	194	209	–	7	4	2	2	4	180	187	220	2	2	0,25
	194	–	215,08	7	4	2	–	4	180	–	220	2	–	0,25
	194	209	–	7	4	2	–	–	180	187	220	2	–	0,25
	198	232	–	7	4	2,1	1,1	6	181	193	251	2	1	0,5
180	200	209	–	7	4	1,1	1,1	3	186	193	219	1	1	0,2
	200	–	214,1	7	4	1,1	–	3	186	–	219	1	–	0,2
	200	209	–	7	4	1,1	–	–	186	193	219	1	–	0,2
	206	224	–	7	4	2	2	4	190	198	240	2	2	0,25
	206	–	230,5	7	4	2	–	4	190	–	240	2	–	0,25
	206	224	–	7	4	2	–	–	190	198	240	2	–	0,25
	212	248	–	8	4	2,1	2,1	8	191	206	270	2	2	0,5
190	209	219	–	7	4	1,5	1,5	4	197	203	233	1,5	1,5	0,2
	209	–	225	7	4	1,5	–	4	197	–	233	1,5	–	0,2
	209	219	–	7	4	1,5	–	–	197	203	233	1,5	–	0,2
	216	233	–	7	4	2	2	4	201	208	250	2	2	0,25
	216	–	240,7	7	4	2	–	4	201	–	250	2	–	0,25
	216	233	–	7	4	2	–	–	201	208	250	2	–	0,25
	222	258	–	8	4	2,1	2,1	8	202	216	280	2	2	0,5

¹⁾ Recommended shaft abutment diameter for axially loaded bearings → *Flange support*, page 512

²⁾ Parameter r_{3,4} has either the value specified here or the same value as r_{1,2}.

6.4 Double row full complement cylindrical roller bearings

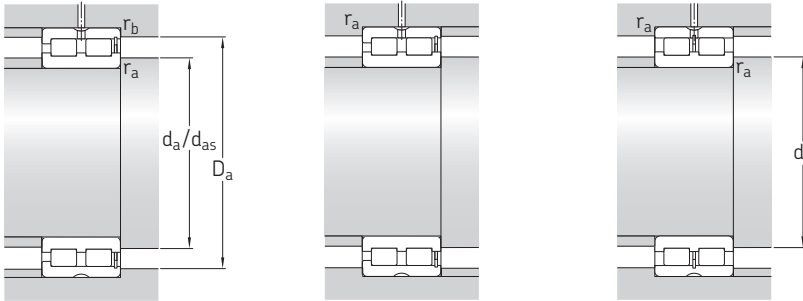
d 200 – 260 mm



Principal dimensions			Basic load ratings		Fatigue load limit	Speed ratings		Mass	Designation
d	D	B	C	C ₀	P _u	Reference speed	Limiting speed		
mm			kN		kN	r/min		kg	–
200	250	50	369	800	80	1 100	1 400	5,8	NNCF 4840 CV
	250	50	369	800	80	1 100	1 400	5,7	NNCL 4840 CV
	250	50	369	800	80	1 100	1 400	5,9	NNC 4840 CV
	280	80	704	1 500	153	1 000	1 300	15,5	NNCF 4940 CV
	280	80	704	1 500	153	1 000	1 300	15,5	NNCL 4940 CV
	280	80	704	1 500	153	1 000	1 300	16	NNC 4940 CV
	310	150	1 680	3 050	320	950	1 200	41	NNCF 5040 CV
220	270	50	380	865	85	1 000	1 200	6,3	NNCF 4844 CV
	270	50	380	865	85	1 000	1 200	6,2	NNCL 4844 CV
	270	50	380	865	85	1 000	1 200	6,4	NNC 4844 CV
	300	80	737	1 600	160	950	1 200	17	NNCF 4944 CV
	300	80	737	1 600	160	950	1 200	17	NNCL 4944 CV
	300	80	737	1 600	160	950	1 200	17	NNC 4944 CV
	340	160	2 010	3 600	375	850	1 100	52,5	NNCF 5044 CV
240	300	60	539	1 290	125	900	1 100	9,9	NNCF 4848 CV
	300	60	539	1 290	125	900	1 100	9,8	NNCL 4848 CV
	300	60	539	1 290	125	900	1 100	10	NNC 4848 CV
	320	80	781	1 760	173	850	1 100	18,5	NNCF 4948 CV
	320	80	781	1 760	173	850	1 100	18	NNCL 4948 CV
	320	80	781	1 760	173	850	1 100	18,5	NNC 4948 CV
	360	160	2 120	3 900	400	800	1 000	56	NNCF 5048 CV
260	320	60	561	1 400	132	800	1 000	11	NNCF 4852 CV
	320	60	561	1 400	132	800	1 000	10,5	NNCL 4852 CV
	320	60	561	1 400	132	800	1 000	11	NNC 4852 CV
	360	100	1 170	2 550	245	750	950	31,5	NNCF 4952 CV
	360	100	1 170	2 550	245	750	950	31	NNCL 4952 CV
	360	100	1 170	2 550	245	750	950	32	NNC 4952 CV
	400	190	2 860	5 100	500	700	900	85,5	NNCF 5052 CV

6.4



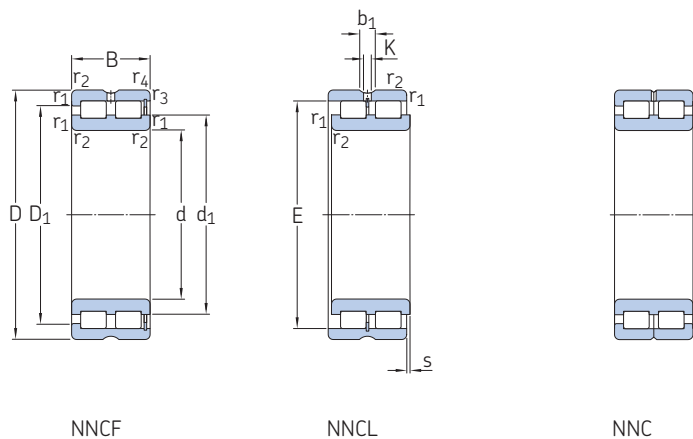


Dimensions									Abutment and fillet dimensions					Calculation factor
d	d ₁ ≈	D ₁ ≈	E	b ₁	K	r _{1,2} min.	r _{3,4} min.	s max.	d _a min.	d _{as} ¹⁾	D _a max.	r _a max.	r _b max.	k _r
mm									mm					
200	220	230	–	7	4	1,5	1,5	4	207	213	243	1,5	1,5	0,2
	220	–	235,5	7	4	1,5	–	4	207	–	243	1,5	–	0,2
	220	230	–	7	4	1,5	–	–	207	213	243	1,5	–	0,2
	233	252	–	8	4	2,1	2,1	5	211	219	269	2	2	0,25
	233	–	259,34	8	4	2,1	–	5	211	–	269	2	–	0,25
	233	252	–	8	4	2,1	–	–	211	221	269	2	–	0,25
	237	275	–	8	4	2,1	2,1	9	212	224	300	2	2	0,5
220	241	251	–	7	4	1,5	1,5	4	227	233	263	1,5	1,5	0,2
	241	–	256,5	7	4	1,5	–	4	227	–	263	1,5	–	0,2
	241	251	–	7	4	1,5	–	–	227	233	263	1,5	–	0,2
	248	269	–	8	4	2,1	2,1	5	232	240	288	2	2	0,25
	248	–	276,52	8	4	2,1	–	5	232	–	288	2	–	0,25
	248	269	–	8	4	2,1	–	–	232	240	288	2	–	0,25
	255	302	–	8	6	3	3	9	235	245	327	2,5	2,5	0,5
240	261	275	–	8	4	2	2	4	249	254	292	2	2	0,2
	261	–	281,9	8	4	2	–	4	249	–	292	2	–	0,2
	261	275	–	8	4	2	–	–	249	254	292	2	–	0,2
	271	291	–	8	4	2,1	2,1	5	251	261	308	2	2	0,25
	271	–	299,46	8	4	2,1	–	5	251	–	308	2	–	0,25
	271	291	–	8	4	2,1	–	–	251	261	308	2	–	0,25
	276	324	–	9,4	5	3	3	9	256	267	347	2,5	2,5	0,5
260	283	297	–	8	4	2	2	4	269	276	311	2	2	0,2
	283	–	304,2	8	4	2	–	4	269	–	311	2	–	0,2
	283	297	–	8	4	2	–	–	269	276	311	2	–	0,2
	295	321	–	9,4	5	2,1	2,1	6	272	283	349	2	2	0,25
	295	–	331,33	9,4	5	2,1	–	6	272	–	349	2	–	0,25
	295	321	–	9,4	5	2,1	–	–	272	283	349	2	–	0,25
	302	362	–	9,4	5	4	4	10	278	291	384	3	3	0,5

¹⁾ Recommended shaft abutment diameter for axially loaded bearings → Flange support, page 512

6.4 Double row full complement cylindrical roller bearings

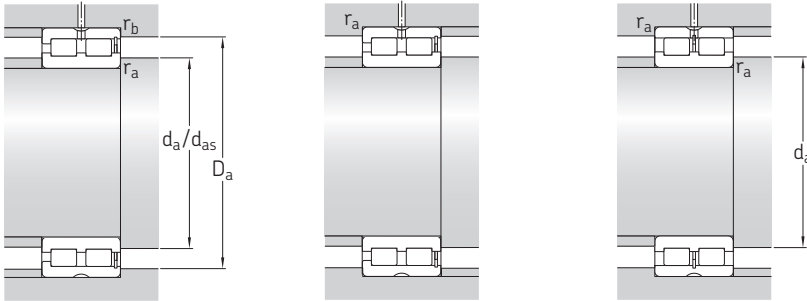
d 280 – 340 mm



Principal dimensions			Basic load ratings		Fatigue load limit	Speed ratings		Mass	Designation
d	D	B	C	C ₀	P _u	Reference speed	Limiting speed		
mm			kN		kN	r/min		kg	–
280	350	69	737	1 860	173	750	950	16	NNCF 4856 CV
	350	69	737	1 860	173	750	950	15,5	NNCL 4856 CV
	350	69	737	1 860	173	750	950	16	NNC 4856 CV
	380	100	1 210	2 700	255	700	900	33,5	NNCF 4956 CV
	380	100	1 210	2 700	255	700	900	33	NNCL 4956 CV
	380	100	1 210	2 700	255	700	900	34	NNC 4956 CV
	420	190	2 920	5 300	520	670	850	90,5	NNCF 5056 CV
300	380	80	858	2 120	196	700	850	22,5	NNCF 4860 CV
	380	80	858	2 120	196	700	850	22	NNCL 4860 CV
	380	80	858	2 120	196	700	850	23	NNC 4860 CV
	420	118	1 680	3 750	355	670	800	52,5	NNCF 4960 CV
	420	118	1 680	3 750	355	670	800	52	NNCL 4960 CV
	420	118	1 680	3 750	355	670	800	53	NNC 4960 CV
	460	218	3 520	6 550	600	600	750	130	NNCF 5060 CV
320	400	80	897	2 280	208	630	800	23,5	NNCF 4864 CV
	400	80	897	2 280	208	630	800	23	NNCL 4864 CV
	400	80	897	2 280	208	630	800	24	NNC 4864 CV
	440	118	1 760	4 050	375	600	750	55,5	NNCF 4964 CV
	440	118	1 760	4 050	375	600	750	55	NNCL 4964 CV
	440	118	1 760	4 050	375	600	750	56	NNC 4964 CV
	480	218	3 690	6 950	620	560	700	135	NNCF 5064 CV
340	420	80	913	2 400	216	600	750	25	NNCF 4868 CV
	420	80	913	2 400	216	600	750	25,5	NNCL 4868 CV
	420	80	913	2 400	216	600	750	25,5	NNC 4868 CV
	460	118	1 790	4 250	390	560	700	58,5	NNCF 4968 CV
	460	118	1 790	4 250	390	560	700	58	NNCL 4968 CV
	460	118	1 790	4 250	390	560	700	59	NNC 4968 CV
	520	243	4 400	8 300	710	530	670	185	NNCF 5068 CV

6.4



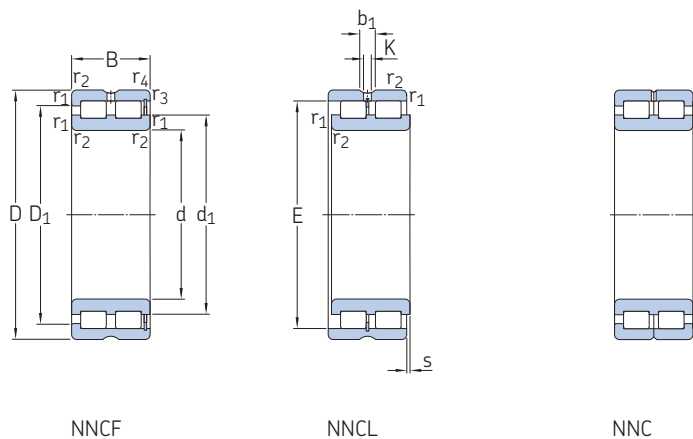


Dimensions				Abutment and fillet dimensions										Calculation factor
d	d ₁ ≈	D ₁ ≈	E	b ₁	K	r _{1,2} min.	r _{3,4} min.	s max.	d _a min.	d _{as} ¹⁾	D _a max.	r _a max.	r _b max.	k _r
mm									mm					
280	308	326	–	8	4	2	2	4	290	299	341	2	2	0,2
	308	–	332,4	8	4	2	–	4	290	–	341	2	–	0,2
	308	326	–	8	4	2	–	–	290	299	341	2	–	0,2
	317	343	–	9,4	5	2,1	2,1	6	293	312	368	2	2	0,25
	317	–	353,34	9,4	5	2,1	–	6	293	–	368	2	–	0,25
	317	343	–	9,4	5	2,1	–	–	293	305	368	2	–	0,25
	318	372	–	9,4	5	4	4	10	299	310	404	3	3	0,5
300	330	349	–	9,4	5	2,1	2,1	6	310	319	370	2	2	0,2
	330	–	356,7	9,4	5	2,1	–	6	310	–	370	2	–	0,2
	330	349	–	9,4	5	2,1	–	–	310	319	370	2	–	0,2
	340	374	–	9,4	5	3	3	6	315	335	406	2,5	2,5	0,25
	340	–	385,51	9,4	5	3	–	6	315	–	406	2,5	–	0,25
	341	374	–	9,4	5	3	–	–	315	328	406	2,5	–	0,25
	352	418	–	9,4	5	4	4	9	319	336	443	3	3	0,5
320	352	372	–	9,4	5	2,1	2,1	6	331	341	390	2	2	0,2
	352	–	379,7	9,4	5	2,1	–	6	331	–	390	2	–	0,2
	352	372	–	9,4	5	2,1	–	–	331	341	390	2	–	0,2
	368	401	–	9,4	5	3	3	6	336	352	425	2,5	2,5	0,25
	368	–	412,27	9,4	5	3	–	6	336	–	425	2,5	–	0,25
	368	401	–	9,4	5	3	–	–	336	352	425	2,5	–	0,25
	370	434	–	9,4	5	4	4	9	339	360	462	3	3	0,5
340	368	390	–	9,4	5	2,1	2,1	6	351	360	410	2	2	0,2
	368	–	396,9	9,4	5	2,1	–	6	351	–	410	2	–	0,2
	369	369	–	9,4	5	2,1	–	–	551	360	410	2	–	0,2
	385	419	–	9,4	5	3	3	6	356	371	445	2,5	2,5	0,25
	385	–	430,11	9,4	5	3	–	6	356	–	445	2,5	–	0,25
	385	419	–	9,4	5	3	–	–	356	371	445	2,5	–	0,25
	395	468	–	9,4	5	5	5	11	362	384	500	4	4	0,5

¹⁾ Recommended shaft abutment diameter for axially loaded bearings → Flange support, page 512

6.4 Double row full complement cylindrical roller bearings

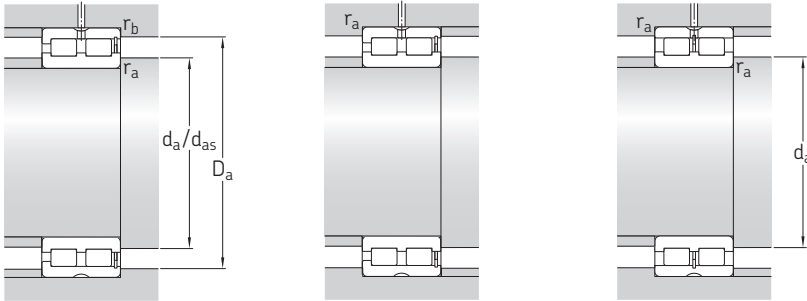
d 360 – 400 mm



Principal dimensions			Basic load ratings		Fatigue load limit	Speed ratings		Mass	Designation
d	D	B	C	C ₀	P _u	Reference speed	Limiting speed		
mm			kN		kN	r/min		kg	–
360	440	80	935	2 550	224	560	700	26,5	NNCF 4872 CV
	440	80	935	2 550	224	560	700	26	NNCL 4872 CV
	440	80	935	2 550	224	560	700	27	NNC 4872 CV
	480	118	1 830	4 500	405	530	670	61,5	NNCF 4972 CV
	480	118	1 830	4 500	405	530	670	61	NNCL 4972 CV
	480	118	1 830	4 500	405	530	670	62	NNC 4972 CV
	540	243	4 180	8 650	735	500	630	195	NNCF 5072 CV
380	480	100	1 400	3 650	315	530	670	45	NNCF 4876 CV
	480	100	1 400	3 650	315	530	670	44	NNCL 4876 CV
	480	100	1 400	3 650	315	530	670	45,5	NNC 4876 CV
	520	140	2 380	5 700	500	500	630	91,5	NNCF 4976 CV
	520	140	2 380	5 700	500	500	630	90,5	NNCL 4976 CV
	520	140	2 380	5 700	500	500	630	92,5	NNC 4976 CV
	560	243	4 680	9 150	750	480	600	200	NNCF 5076 CV
400	500	100	1 420	3 750	325	500	630	46	NNCF 4880 CV
	500	100	1 420	3 750	325	500	630	46	NNCL 4880 CV
	500	100	1 420	3 750	325	500	630	46,5	NNC 4880 CV
	540	140	2 420	6 000	520	480	600	95,5	NNCF 4980 CV
	540	140	2 420	6 000	520	480	600	94,5	NNCL 4980 CV
	540	140	2 420	6 000	520	480	600	96,5	NNC 4980 CV
	600	272	5 500	11 000	900	450	560	270	NNCF 5080 CV

6.4



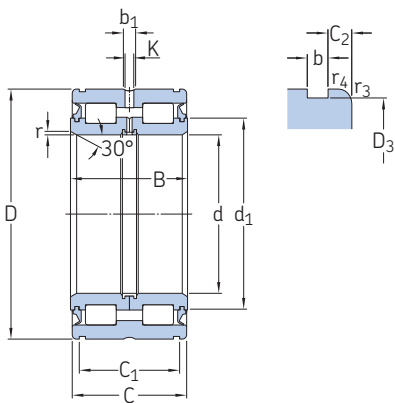


Dimensions									Abutment and fillet dimensions					Calculation factor
d	d ₁ ≈	D ₁ ≈	E	b ₁	K	r _{1,2} min.	r _{3,4} min.	s max.	d _a min.	d _{as} ¹⁾	D _a max.	r _a max.	r _b max.	k _r
mm									mm					
360	391	413	–	9,4	5	2,1	2,1	6	371	381	429	2	2	0,2
	391	–	419,8	9,4	5	2,1	–	6	371	–	429	2	–	0,2
	391	413	–	9,4	5	2,1	–	–	371	381	429	2	–	0,2
	404	437	–	9,4	5	3	3	6	375	390	464	2,5	2,5	0,25
	404	–	447,95	9,4	5	3	–	6	375	–	464	2,5	–	0,25
	404	437	–	9,4	5	3	–	–	375	390	464	2,5	–	0,25
	412	486	–	9,4	5	5	5	11	383	402	519	4	4	0,5
380	419	447	–	9,4	5	2,1	2,1	6	391	405	469	2	2	0,2
	419	–	455,8	9,4	5	2,1	–	6	391	–	469	2	–	0,2
	419	447	–	9,4	5	2,1	–	–	391	405	469	2	–	0,2
	430	469	–	9,4	5	4	4	7	398	414	502	3	3	0,25
	430	–	481,35	9,4	5	4	–	7	398	–	502	3	–	0,25
	430	469	–	9,4	5	4	–	–	398	414	502	3	–	0,25
	485	531	–	9,4	5	5	5	11	403	417	539	4	4	0,5
400	434	462	–	9,4	5	2,1	2,1	6	411	423	488	2	2	0,2
	434	–	470,59	9,4	5	2,1	–	6	411	–	488	2	–	0,2
	434	462	–	9,4	5	2,1	–	–	411	423	488	2	–	0,2
	451	489	–	9,4	5	4	4	7	418	435	521	3	3	0,25
	451	–	501,74	9,4	5	4	–	7	418	–	521	3	–	0,25
	451	489	–	9,4	5	4	–	–	418	435	521	3	–	0,25
	460	540	–	9,4	5	5	5	11	424	442	578	4	4	0,5

¹⁾ Recommended shaft abutment diameter for axially loaded bearings → Flange support, page 512

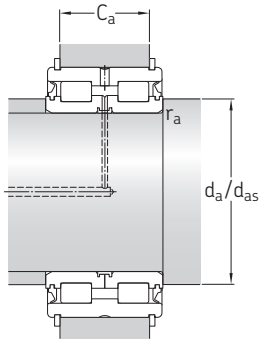
6.5 Sealed double row full complement cylindrical roller bearings

d 20 – 140 mm



Principal dimensions				Basic load ratings		Fatigue load limit	Limiting speed	Mass	Designation
d	D	B	C	dynamic	static				
					C_0	P_u			
mm				kN		kN	r/min	kg	–
20	42	30	29	45,7	55	5,7	3 400	0,2	▶ NNF 5004 ADB-2LSV
25	47	30	29	50,1	65,5	6,8	3 000	0,24	▶ NNF 5005 ADB-2LSV
30	55	34	33	57,2	75	7,8	2 600	0,37	▶ NNF 5006 ADB-2LSV
35	62	36	35	70,4	98	10,6	2 200	0,48	▶ NNF 5007 ADB-2LSV
40	68	38	37	85,8	116	13,2	2 000	0,56	▶ NNF 5008 ADB-2LSV
45	75	40	39	102	146	17	1 800	0,7	▶ NNF 5009 ADB-2LSV
50	80	40	39	108	160	18,6	1 700	0,76	▶ NNF 5010 ADB-2LSV
55	90	46	45	128	193	22,8	1 500	1,2	▶ NNF 5011 ADB-2LSV
60	95	46	45	134	208	25	1 400	1,25	▶ NNF 5012 ADB-2LSV
65	100	46	45	138	224	26,5	1 300	1,35	▶ NNF 5013 ADB-2LSV
70	110	54	53	187	285	34,5	1 200	1,85	▶ NNF 5014 ADB-2LSV
75	115	54	53	224	310	40	1 100	1,95	▶ NNF 5015 ADB-2LSV
80	125	60	59	251	415	53	1 000	2,7	▶ NNF 5016 B-2LS
85	130	60	59	270	430	55	1 000	2,85	▶ NNF 5017 B-2LS
90	140	67	66	319	550	69,5	900	3,7	▶ NNF 5018 B-2LS
95	145	67	66	330	570	71	900	3,9	NNF 5019 B-2LS
100	150	67	66	336	570	68	850	3,95	▶ NNF 5020 B-2LS
110	170	80	79	413	695	81,5	750	6,45	▶ NNF 5022 B-2LS
120	180	80	79	429	750	86,5	700	6,9	▶ NNF 5024 B-2LS
130	190	80	79	446	815	91,5	670	7,3	319426 B-2LS
	200	95	94	616	1 040	120	630	10,5	▶ NNF 5026 B-2LS
140	200	80	79	468	865	96,5	630	8	319428 DA-2LS
	210	95	94	644	1 120	127	600	11	▶ NNF 5028 B-2LS

▶ Popular item



Dimensions										Abutment and fillet dimensions ¹⁾					Calculation factor k_r	Associated snap rings ²⁾	
d	$d_1 \approx$	D_3	$C_{a1} +0,2$	C_2	b	b_1	K	r min.	$r_{3,4}$ min.	d_a min.	$d_{as}^{3)}$	$C_{a1} -0,2$	$C_{a2} -0,2$	r_a max.		Seeger	DIN 471
mm										mm					-	-	
20	30,6	40,2	24,7	2,15	1,8	6,5	3,5	0,5	0,3	24	28,8	21,5	21	0,3	0,4	SW 42	42x1.75
25	35,4	45,2	24,7	2,15	1,8	6,5	3,5	0,5	0,3	29	33,6	21,5	21	0,3	0,4	SW 47	47x1.75
30	40,6	53	28,2	2,4	2,1	7,5	4,5	0,5	0,3	34	38,7	25	24	0,3	0,4	SW 55	55x2
35	46,1	60	30,2	2,4	2,1	7,5	4,5	0,5	0,3	39	44	27	26	0,3	0,4	SW 62	62x2
40	51,4	65,8	32,2	2,4	2,7	7,5	4,5	0,8	0,6	44	49,2	28	27	0,4	0,4	SW 68	68x2.5
45	57	72,8	34,2	2,4	2,7	8,5	4,5	0,8	0,6	49	54,7	30	29	0,4	0,4	SW 75	75x2.5
50	61,8	77,8	34,2	2,4	2,7	8,5	4,5	0,8	0,6	54	59,5	30	29	0,4	0,4	SW 80	80x2.5
55	68,6	87,4	40,2	2,4	3,2	8,5	4,5	1	0,6	60	66,1	35	34	0,6	0,4	SW 90	90x3
60	73,7	92,4	40,2	2,4	3,2	9,5	5	1	0,6	65	71,2	35	34	0,6	0,4	SW 95	95x3
65	78,8	97,4	40,2	2,4	3,2	9,5	5	1	0,6	70	76,3	35	34	0,6	0,4	SW 100	100x3
70	84,5	107,1	48,2	2,4	4,2	9,5	5	1	0,6	75	82	43	40	0,6	0,4	SW 110	110x4
75	90	112,1	48,2	2,4	4,2	9,5	5	1	0,6	80	87	43	40	0,6	0,4	SW 115	115x4
80	97	122,1	54,2	2,4	4,2	6	3,5	1,5	0,6	86	94,3	49	46	1	0,4	SW 125	125x4
85	101	127,1	54,2	2,4	4,2	6	3,5	1,5	0,6	91	100	49	46	1	0,4	SW 130	130x4
90	109	137	59,2	3,4	4,2	6	3,5	1,5	0,6	96	106	54	51	1	0,4	SW 140	140x4
95	113	142	59,2	3,4	4,2	6	3,5	1,5	0,6	101	110	54	51	1	0,4	SW 145	145x4
100	118	147	59,2	3,4	4,2	6	3,5	1,5	0,6	106	115	54	51	1	0,4	SW 150	150x4
110	132	167	70,2	4,4	4,2	6	3,5	1,8	0,6	117	128	65	62	1,5	0,4	SW 170	170x4
120	141	176	71,2	3,9	4,2	6	3,5	1,8	0,6	127	138	65	63	1,5	0,4	SW 180	180x4
130	151	186	71,2	3,9	4,2	6	3,5	1,8	0,6	137	147	65	63	1,5	0,4	SW 190	190x4
	155	196	83,2	5,4	4,2	7	4	1,8	0,6	137	150	77	75	1,5	0,4	SW 200	200x4
140	160	196	71,2	3,9	4,2	7	4	1,8	0,6	147	156	65	63	1	0,4	SW 200	200x4
	167	206	83,2	5,4	5,2	7	4	1,8	0,6	147	162	77	73	1,5	0,4	SW 210	210x5

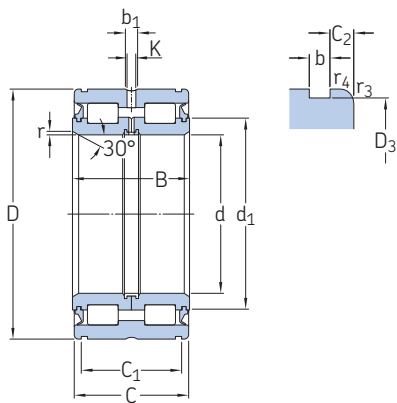
¹⁾ The values for C_{a1} apply for SW snap rings, the values for C_{a2} for snap rings in accordance with DIN 471.

²⁾ Snap rings are not supplied by SKF.

³⁾ Recommended shaft abutment diameter for axially loaded bearings → Flange support, page 512

6.5 Sealed double row full complement cylindrical roller bearings

d 150 – 280 mm

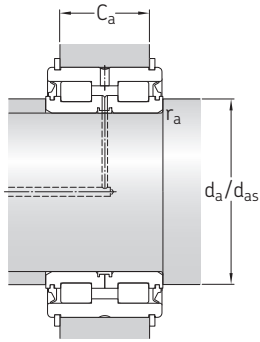


Principal dimensions				Basic load ratings		Fatigue load limit	Limiting speed	Mass	Designation
d	D	B	C	dynamic	static	P_u			
mm				kN	C_0	kN	r/min	kg	–
150	210	80	79	484	915	100	600	8,4	319430 B-2LS
	225	100	99	748	1 290	143	560	13,5	▶ NNF 5030 B-2LS
160	220	80	79	501	1 000	106	530	8,8	319432 DA-2LS
	240	109	108	781	1 400	153	500	16,5	NNF 5032 B-2LS
170	230	80	79	512	1 060	110	530	9,2	319434 B-2LS
	260	122	121	1 010	1 800	193	480	22,5	▶ NNF 5034 B-2LS
180	240	80	79	528	1 100	114	480	9,8	319436 DA-2LS
	280	136	135	1 170	2 120	228	450	31	NNF 5036 B-2LS
190	260	80	79	550	1 180	120	450	12,5	319438 DA-2LS
	290	136	135	1 190	2 200	236	430	31,5	NNF 5038 B-2LS
200	270	80	79	583	1 370	137	430	13	319440 B-2LS
	310	150	149	1 450	2 900	300	400	42	NNF 5040 B-2LS
220	300	95	94	880	1 860	190	380	19	319444 B-2LS
	340	160	159	1 610	3 100	315	360	54	NNF 5044 B-2LS
240	320	95	94	952	2 040	200	360	20	319448 B-2LS
	360	160	159	1 680	3 350	335	340	57,5	NNF 5048 B-2LS
260	340	95	94	990	2 160	212	340	22	319452 B-2LS
	400	190	189	2 420	4 650	455	300	86	NNF 5052 B-2LS
280	420	190	189	2 550	5 000	490	280	91	NNF 5056 B-2LS

6.5

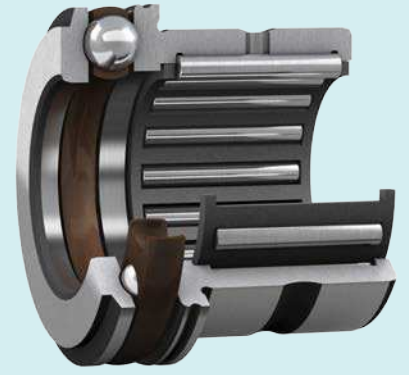


▶ Popular item



Dimensions										Abutment and fillet dimensions ¹⁾					Calculation factor k_r	Associated snap rings ²⁾	
d	$d_1 \approx$	D_3	$C_{a1} +0,2$	C_2	b	b_1	K	r min.	$r_{3,4}$ min.	d_a min.	$d_{as}^{3)}$	$C_{a1} -0,2$	$C_{a2} -0,2$	r_a max.		Seeger	DIN 471
mm										mm					-	-	
150	170	206	71,2	3,9	5,2	7	4	1,8	0,6	157	166	65	61	1,5	0,4	SW 210	210x5
	177	221	87,2	5,9	5,2	7	4	2	0,6	157	172	81	77	2	0,4	SW 225	225x5
160	184	216	71,2	3,9	5,2	7	4	1,8	0,6	167	180	65	61	1	0,4	SW 220	220x5
	191	236	95,2	6,4	5,2	7	4	2	0,6	167	186	89	85	2	0,4	SW 240	240x5
170	194	226	71,2	3,9	5,2	7	4	1,8	0,6	177	190	65	61	1,5	0,4	SW 230	230x5
	203	254	107,2	6,9	5,2	7	4	2	0,6	177	197	99	97	2	0,4	SW 260	260x5
180	203	236	71,2	3,9	5,2	7	4	1,8	0,6	187	199	65	61	1	0,4	SW 240	240x5
	220	274	118,2	8,4	5,2	8	4	2	0,6	187	214	110	108	2	0,4	SW 280	280x5
190	218	254	73,2	2,9	5,2	7	4	1,8	0,6	197	214	65	63	1	0,4	SW 260	260x5
	228	284	118,2	8,4	5,2	8	4	2	0,6	197	222	110	108	2	0,4	SW 290	290x5
200	227	264	73,2	2,9	5,2	7	4	1,8	0,6	207	223	65	63	1,5	0,4	SW 270	270x5
	245	304	128,2	10,4	6,3	8	4	2	0,6	207	239	120	116	2	0,4	SW 310	310x6
220	250	295	83,2	5,4	5,2	8	6	1,8	1	227	246	75	73	1,5	0,4	SW 300	300x5
	263	334	138,2	10,4	6,3	9,5	6	2	1	227	256	130	126	2	0,4	SW 340	340x6
240	269	314	83,2	5,4	6,3	8	6	1,8	1	247	265	75	71	1,5	0,4	SW 320	320x6
	282	354	138,2	10,4	6,3	9,5	6	2	1	247	275	130	126	2	0,4	SW 360	360x6
260	291	334	83,2	5,4	6,3	8	6	1,8	1	267	286	75	71	1,5	0,4	SW 340	340x6
	309	394	162,2	13,4	6,3	9,5	6	2	1,1	268	300	154	150	2	0,4	SW 400	400x6
280	333	413	163,2	12,9	7,3	9,5	6	2	1,1	288	324	154	149	2	0,4	SW 420	420x7

¹⁾ The values for C_{a1} apply for SW snap rings, the values for C_{a2} for snap rings in accordance with DIN 471.
²⁾ Snap rings are not supplied by SKF.
³⁾ Recommended shaft abutment diameter for axially loaded bearings → Flange support, page 512



7

Needle roller
bearings



7 Needle roller bearings

Designs and variants	583	Designation system	612
Needle roller and cage assemblies	583	Product tables	
Basic design bearings	583	7.1 Needle roller and cage assemblies	614
Other needle roller and cage assemblies	584	7.2 Drawn cup needle roller bearings	618
Drawn cup needle roller bearings	584	7.3 Needle roller bearings with machined rings with flanges, without an inner ring	624
Basic design bearings	585	7.4 Needle roller bearings with machined rings with flanges, with an inner ring	636
Arrangements with components and other bearings ..	586	7.5 Alignment needle roller bearings, without an inner ring	648
Needle roller bearings with machined rings	586	7.6 Alignment needle roller bearings, with an inner ring	650
Basic design bearings	587	7.7 Needle roller / angular contact ball bearings	652
Arrangements with other bearings	587	7.8 Needle roller / thrust ball bearings, full complement thrust bearing	654
Alignment needle roller bearings	588	7.9 Needle roller / thrust ball bearings, thrust bearing with a cage	656
Combined needle roller bearings	588	7.10 Needle roller / cylindrical roller thrust bearings ...	658
Needle roller / angular contact ball bearings	588	7.11 Needle roller bearing inner rings	660
Needle roller / thrust ball bearings	590		
Needle roller / cylindrical roller thrust bearings	592		
Needle roller bearing components	593		
Needle roller bearing inner rings	593		
Needle rollers	593		
Sealing solutions	594		
Associated external seals	594		
Capped bearings	594		
Greases for capped bearings	595		
Relubrication features	595		
Cages	596		
Bearing data	598		
(Dimension standards, tolerances, operating clearance, internal clearance, permissible misalignment)			
Loads	606		
(Minimum load, equivalent dynamic bearing load, equivalent static bearing load)			
Temperature limits	608		
Permissible speed	608	Other needle roller bearings	
 		Support rollers	943
Design considerations	609	Cam followers	963
Abutment dimensions	609	Needle roller thrust bearings	895
Shaft and housing tolerances	610	Bearings with Solid Oil	1023
		NoWear coated bearings	1059
 		Inner rings as wear sleeves	→ skf.com/seals
Mounting	611	Universal joint bearings	→ skf.com/bearings
Paired mounting	611		



7 Needle roller bearings

More information

General bearing knowledge	17
Bearing selection process	59
Lubrication	109
Bearing interfaces	139
Selecting internal clearance	182
Sealing, mounting and dismounting	193

SKF needle roller bearings are bearings with cylindrical rollers that are small in diameter relative to their length. The modified roller/raceway profile prevents stress peaks to extend bearing service life.

SKF supplies needle roller bearings in many different designs, series and in a wide range of sizes, which make them appropriate for a wide variety of operating conditions and applications.

Bearing features

- **Low cross section**
In applications where less space is available, needle roller bearings offer a very compact solution (fig. 1), and drawn cup needle roller bearings enable downsizing.
- **High load carrying capacity**
Owing to their large number of rollers, needle roller bearings have a high load carrying capacity.
- **High stiffness**
Because of their large number of small-diameter rollers, needle roller bearings have high stiffness.

- **Separable design**

The possibility of assembling inner and outer rings separately permits interference fits for shaft and housing and also enables easy maintenance inspections (fig. 2).

- **Accommodate axial displacement**

Except for bearings with flanges on both the inner and outer rings, needle roller bearings with machined rings can accommodate axial displacement (fig. 3).

- **Accommodate static misalignment**

Alignment needle roller bearings are self-aligning up to 3° of static misalignment.

- **Locating bearing arrangement**

Combined needle roller bearings accommodate combined radial and axial loads in one or both directions.

Fig. 1

Low cross section

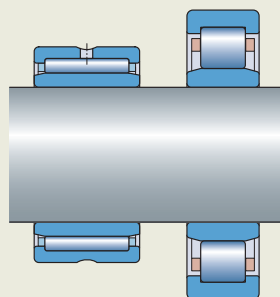
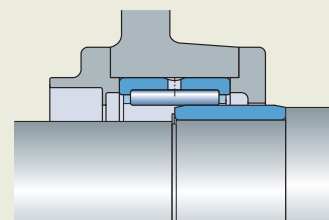


Fig. 2

Separable design



Designs and variants

Needle roller and cage assemblies

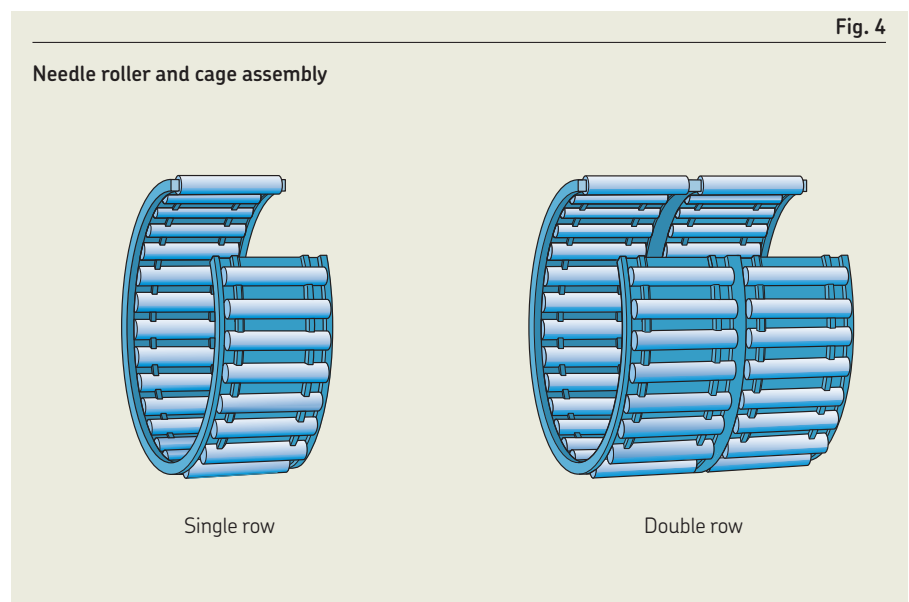
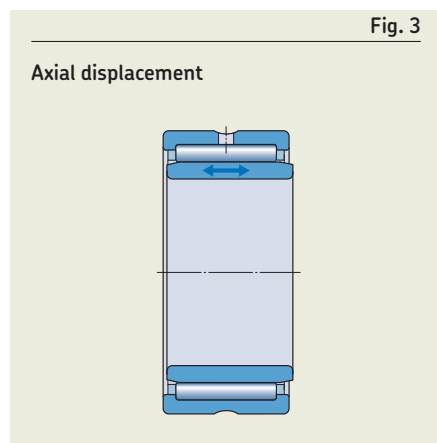
SKF needle roller and cage assemblies are self-contained, ready-to-mount bearings. In applications where the shaft and housing bore can serve as raceways, the assemblies can be used to create bearing arrangements that require minimal radial space.

Basic design bearings

- are identified by the series designation K
- are available as (fig. 4):
 - single row design (no designation suffix)
 - double row design (designation suffix ZW)

They are characterized by the following properties:

- simple to mount and robust
- accurate roller guidance in the cage pockets
- good running performance



Other needle roller and cage assemblies

Needle roller and cage assemblies with a split cage can be used where raceways are recessed in the shaft (fig. 5).

Special needle roller and cage assemblies are used for the gudgeon (wrist) pin (fig. 6) and crankpin (crankshaft journal) (fig. 7) for connecting rods of internal combustion engines and compressors. They provide excellent service in spite of rapid accelerations, elevated temperatures, unfavourable load, and poor lubrication conditions.

For additional information about special sizes and designs, which are available on request, contact SKF.

Drawn cup needle roller bearings

SKF drawn cup needle roller bearings have a deep drawn, thin-walled outer ring. Drawn cup needle roller bearings are typically used in applications where the housing bore cannot be used as a raceway for a needle roller and cage assembly, but where a very compact and economical bearing arrangement is required. These bearings are mounted with a tight interference fit in the housing. This enables a simple and economic design of the housing bore, as shoulders or snap rings are not required to locate the bearing axially.

The drawn cup of hardened steel and the needle roller and cage assembly of these bearings form a non-separable unit.

SKF standard assortment

SKF supplies a wide assortment of drawn cup needle roller bearings. This includes:

- bearings with open ends (fig. 8)
- bearings with a closed end (fig. 9)
- full complement bearings with open ends (fig. 10)

SKF drawn cup needle roller bearings:

- are supplied without an inner ring
- are generally designed with one needle roller and cage assembly – except wide sizes, which incorporate two needle roller and cage assemblies immediately adjacent to each other, with a lubrication hole in the outer ring (fig. 11).

Fig. 5

Needle roller and cage assemblies with a split cage

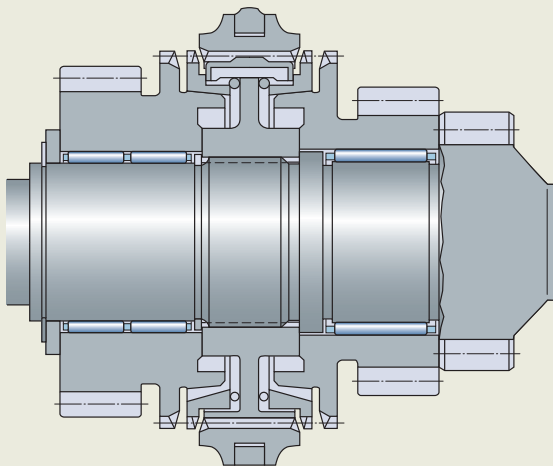


Fig. 6

Special needle roller and cage assembly for the gudgeon (wrist) pin

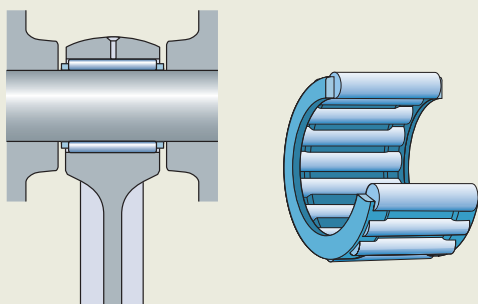
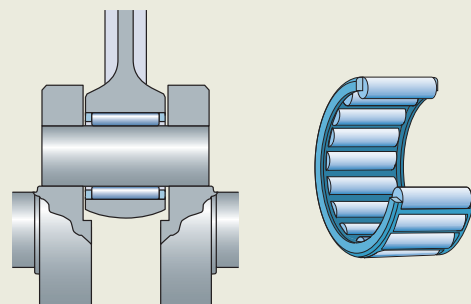


Fig. 7

Special needle roller and cage assembly for the crankpin (crankshaft journal)



Basic design bearings

- Drawn cup needle roller bearings with open ends** (series designation HK, [fig. 8](#))
 - are available open (without seals) or sealed on one or both sides (*Sealing solutions*, [page 594](#))
- Drawn cup needle roller bearings with a closed end** (series designation BK, [fig. 9](#))
 - are available open or sealed (*Sealing solutions*)
 - are suitable for bearing arrangements where they are situated at the end of a shaft
 - accommodate small axial guidance forces, because of the profiled design of their closed end
- Full complement bearings with open ends** (series designation HN, [fig. 10](#))
 - are suitable for very heavy radial loads at moderate speeds
 - are available with open ends and without seals only

Full complement drawn cup needle roller bearings are supplied with a special grease to secure the rollers during transport. However, SKF recommends relubricating after mounting. Depending on the required grade, SKF recommends SKF LGEP 2 or SKF LGWM 1 grease for relubrication. The technical specifications of the initial grease fill and the relubrication greases are listed in [table 1](#).

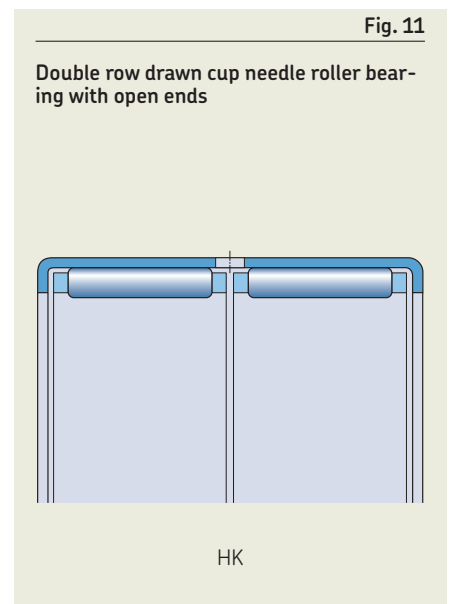
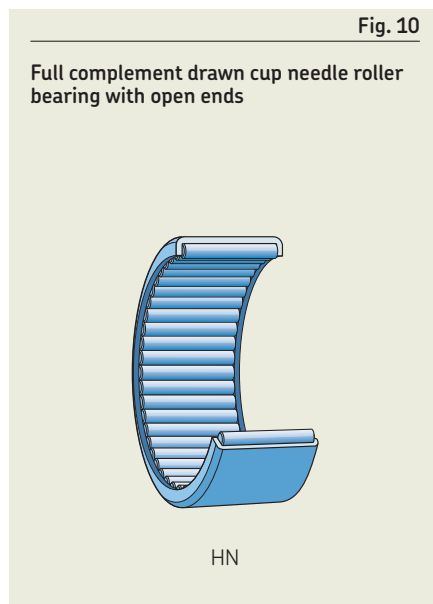
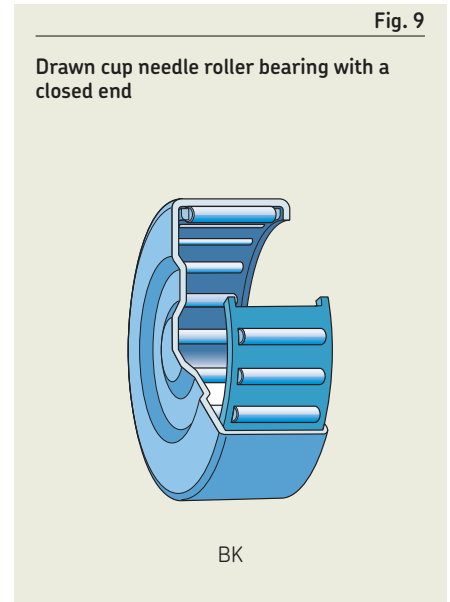
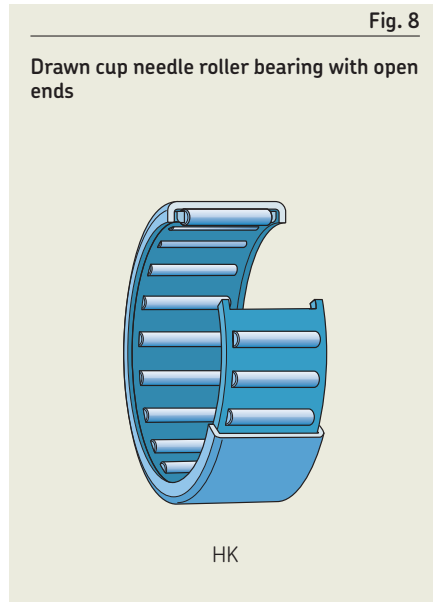


Table 1

Technical specifications of SKF standard greases for full complement drawn cup needle roller bearings

Grease	Temperature range ¹⁾							Thickener	Base oil type	NLGI grade	Base oil viscosity [mm ² /s]	
	-50	0	50	100	150	200	250				at 40 °C (105 °F)	at 100 °C (210 °F)
Initial grease fill								Lithium soap	Mineral	1-2	200	18,7
LGEP 2								Lithium soap	Mineral	2	200	16
LGMW 1								Lithium soap	Mineral	1	200	16

-60 30 120 210 300 390 480 °F

¹⁾ Refer to the SKF traffic light concept ([page 117](#)).

Arrangements with components and other bearings

- Generally, drawn cup needle roller bearings run directly on a shaft. However, in applications where the shaft cannot be hardened and ground, bearings should be combined with an inner ring (**fig. 12**, and *Needle roller bearing inner rings*, **page 593**).
- Drawn cup needle roller bearings with wide inner rings (**fig. 12** and *Needle roller bearing inner rings*) provide an excellent counterface for the lips of external G or SD design seals (skf.com/seals).
- Certain sizes of drawn cup needle roller bearings can be combined with a needle roller thrust bearing with a centring flange, AXW series (**fig. 13** and *Needle roller thrust bearings*, **page 895**), to accommodate combined radial and axial loads.

Needle roller bearings with machined rings

SKF needle roller bearings with machined rings are made of carbon chromium bearing steel. SKF supplies these bearings with or without flanges on the outer ring, in a wide range of series and sizes. SKF also supplies them with or without an inner ring.

Needle roller bearings with machined inner and outer rings

- are used for applications where the shaft cannot be hardened and ground (**fig. 14**)
- have limited permissible axial displacement of the shaft relative to the housing (**fig. 3**, **page 583** and **product table**, **page 636**), which can be extended, if needed, by using a wide inner ring (*Needle roller bearing inner rings*, **page 593**)

Needle roller bearings with a machined outer ring, without an inner ring

- are an excellent choice for compact bearing arrangements if the shaft can be hardened and ground (**fig. 15**)
- enable a larger shaft diameter and a stiffer bearing arrangement compared to arrangements with bearings with inner rings

Axial displacement of the shaft relative to the housing is only limited by the width of the raceway on the shaft. By machining the shaft raceways to the appropriate dimensional and geometrical tolerances, it is possible to obtain bearing arrangements with tighter geometrical tolerances. For additional information, refer to *Raceways on shafts and in housings*, **page 179**.

Fig. 12

Drawn cup needle roller bearing

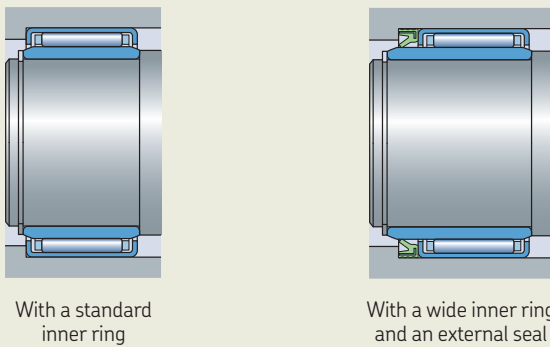


Fig. 13

Drawn cup needle roller bearing combined with a needle roller thrust bearing

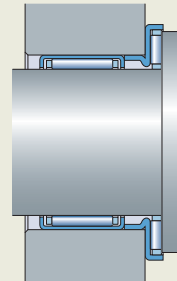


Fig. 14

Needle roller bearing with machined rings

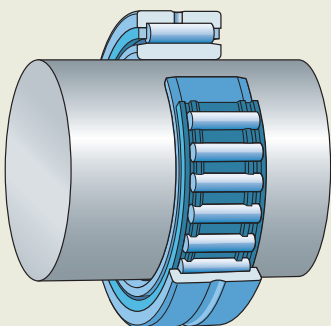


Fig. 15

Needle roller bearing with a machined outer ring

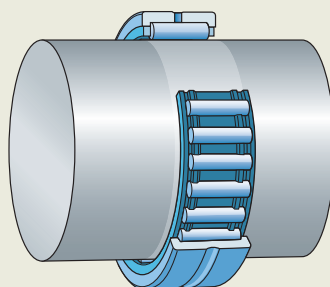
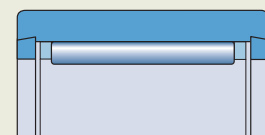


Fig. 16

Needle roller bearing with non-separable closure rings



NK ($F_w \leq 10 \text{ mm}$)

Basic design bearings

Needle roller bearings with machined rings, with flanges

- are available open (without seals) or sealed on one or both sides
 - are available with or without an inner ring
 - with $D \leq 17$ mm ($F_w \leq 10$ mm), are available with non-separable closure rings that act as flanges (fig. 16)
- The flanges on larger bearings are an integral part of the outer ring, and the bearings have an annular groove and one or more lubrication holes in the outer ring (fig. 17).
- are generally designed as single row bearings, with the exception of RNA 69 (fig. 18) and NA 69 series double row bearings with $D \geq 52$ mm ($F_w \geq 40$ mm)

The roller and cage assembly and outer ring of a needle roller bearing with flanges form a non-separable unit.

Needle roller bearings with machined rings, without flanges

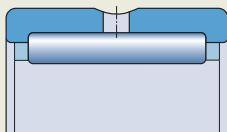
- are separable, i.e. the outer ring, needle roller and cage assembly, and inner ring, can all be mounted separately (fig. 19)
 - Needle roller and cage assemblies can, depending on the arrangement design, either be mounted:
 - together with the outer ring
 - together with the shaft
 - together with the inner ring
 - between the outer ring and shaft or inner ring as the final step
 - However, needle roller and cage assemblies and bearing outer rings must always be kept together as supplied.
- are generally designed with one needle roller and cage assembly
 - However, wide sizes incorporate two needle roller and cage assemblies immediately adjacent to each other and have an annular groove and a lubrication hole in the outer ring (fig. 20).

Arrangements with other bearings

To accommodate combined radial and axial loads, needle roller bearings with machined rings can be combined with a needle roller thrust bearing with a centring flange, AXW series, if the outside diameter D of the radial bearing is equal to the flange diameter D_1 of the thrust bearing (fig. 21, and *Needle roller thrust bearings*, page 895).

Fig. 17

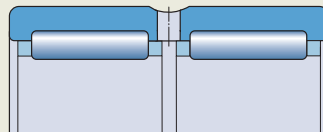
Needle roller bearing with integral flanges in the outer ring



NK ($F_w \geq 12$ mm)
NKS
RNA 48, RNA 49
RNA 69 ($F_w \leq 35$ mm)

Fig. 18

Double row needle roller bearing with flanges



RNA 69 ($F_w \geq 40$ mm)

Fig. 19

Separable design

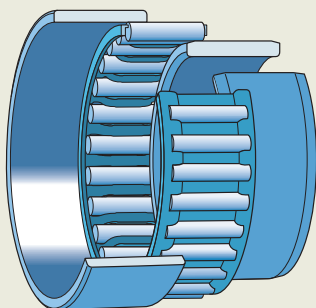


Fig. 20

Double row needle roller bearing without flanges

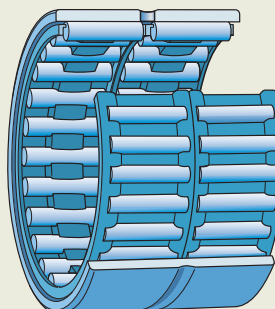
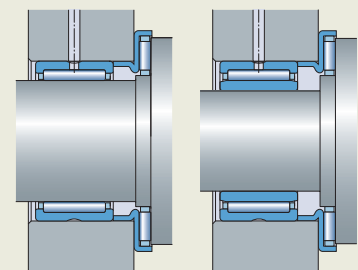


Fig. 21

Needle roller bearing with a needle roller thrust bearing



Without an inner ring

With an inner ring

Alignment needle roller bearings

SKF alignment needle roller bearings have an outer ring with a sphered (convex) outside surface. Two polymer seating rings with a sphered (concave) inside surface are encased in a drawn sheet steel sleeve and fitted over the outer ring.

SKF supplies alignment needle roller bearings with or without an inner ring (fig. 22).

Bearings with an inner ring

- should be used in applications where the shaft cannot be hardened and ground
- have limited permissible axial displacement of the shaft relative to the housing (product table, page 650), which can be extended, if needed, by using a wide inner ring (Needle roller bearing inner rings, page 593)

Bearings without an inner ring

- are an excellent choice for compact bearing arrangements, if the shaft can be hardened and ground.

Combined needle roller bearings

SKF combined needle roller bearings consist of a radial needle roller bearing combined with a thrust bearing. They can accommodate both radial and axial loads. They are particularly suitable for applications where other types of locating bearing arrangements occupy too much space, or where the axial loads are too heavy, the speeds are too high, or the lubricant is inadequate for arrangements with simple thrust washers. SKF supplies combined needle roller bearings in the following basic designs:

- needle roller / angular contact ball bearing
- needle roller / thrust ball bearing
- needle roller / cylindrical roller thrust bearing

Relubrication intervals for the radial and thrust part of the bearing must be calculated separately. The shorter of the two intervals should be used. For additional information about lubrication, refer to *Lubrication*, page 110.

Needle roller / angular contact ball bearings

SKF supplies needle roller / angular contact ball bearings without seals in two series (fig. 23):

- NKIA 59 series bearings can accommodate axial loads in one direction
- NKIB 59 series bearings can accommodate axial loads in both directions

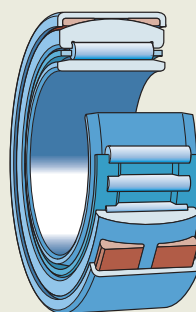
These combined bearings:

- consist of a radial needle roller bearing and an angular contact ball bearing
- accommodate heavy radial loads, carried exclusively by the needle roller bearing
- accommodate light axial loads, carried exclusively by the angular contact ball bearing
- are low cross section bearings
- can operate at high speeds
- are separable, i.e. the inner ring can be mounted separately from the outer ring and rolling element and cage assemblies
- can be grease or oil lubricated, depending on the application

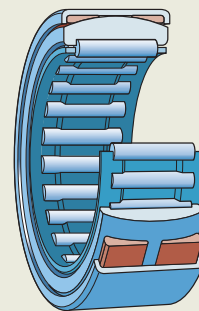
In the case of grease lubrication, both the needle roller and angular contact ball bearings should be filled with the same lubricant prior to mounting.

Fig. 22

Alignment needle roller bearing



With an inner ring, PNA



Without an inner ring, RPNA

NKIA series bearings

- can accommodate axial loads in one direction and, therefore, locate the shaft in one direction only
- can be mounted back-to-back (fig. 24), for short shafts and where changes in length due to thermal expansion are relatively minor

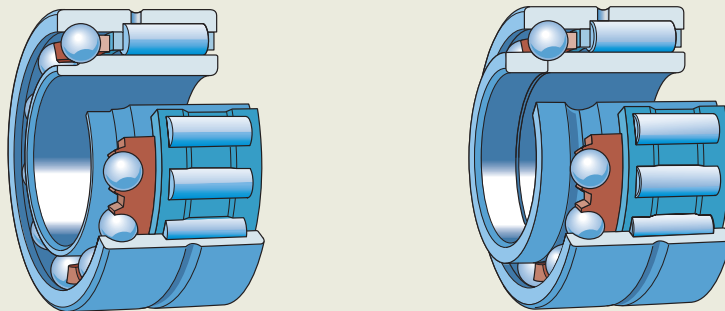
NKIB series bearings

- can locate the shaft in both directions
- have axial clearance, between 0,08 and 0,25 mm
- have a two-piece inner ring to facilitate mounting

When mounting the inner ring, it is important that the two pieces are axially clamped to one another.
- have inner rings, which are not interchangeable with those from another seemingly identical bearing (keep together as supplied)

Fig. 23

Needle roller / angular contact ball bearing

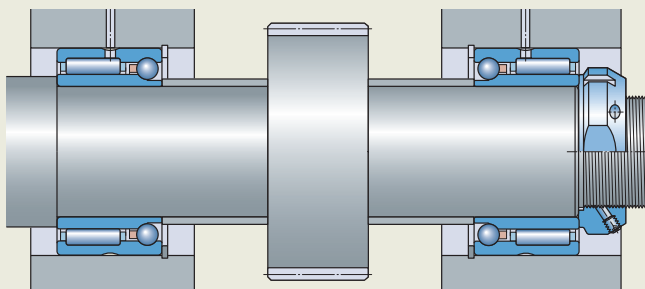


NKIA 59

NKIB 59

Fig. 24

NKIA series bearings arranged back-to-back



7 Needle roller bearings

Needle roller / thrust ball bearings

SKF supplies needle roller / thrust ball bearings in two series (fig. 25):

- NX series with a full complement thrust ball bearing
- NKX series with a thrust ball bearing with a cage

These combined bearings:

- consist of a radial needle roller bearing and a thrust ball bearing
- are supplied without an inner ring
- can be combined with an inner ring (fig. 26), where the shaft cannot be hardened and ground (product tables, page 654 and page 656, must be ordered separately)
- can accommodate axial loads in one direction and, therefore, locate the shaft in one direction only

- can be mounted back-to-back (fig. 27), for short shafts and where changes in length due to thermal expansion are relatively minor

For these types of arrangements, SKF recommends preloading the thrust ball bearings with Belleville washers (cup springs). This preload helps to prevent the balls from skidding if one of the thrust bearings becomes unloaded. Preload also improves performance of the thrust ball bearings while reducing noise levels.

NX series bearings

- consist of a radial needle roller bearing and a full complement thrust ball bearing (fig. 28)
- are suitable for applications where there are moderate radial loads and lighter, single direction axial loads
- have low cross-sectional height, which enables shaft centrelines to be positioned close together like for multi-spindle drills
- can be mounted with a snap ring, or against a shoulder in the housing bore, for axial support

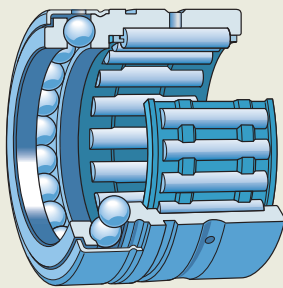
The snap ring groove in the outer ring provides a cost-effective and axially space-saving solution (fig. 29 and product tables, 7.8, page 654).

- are most often oil lubricated and therefore supplied without grease
- have a stamped steel cover that
 - extends over the shaft washer of the full complement thrust ball bearing
 - is firmly attached to the radial needle roller bearing
 - makes these bearings non-separable
 - has lubrication holes as standard
 - has no lubrication holes for bearings with designation suffix Z (fig. 28)

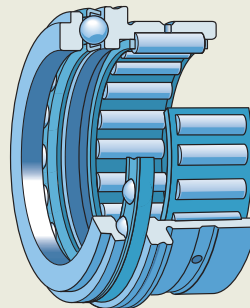
These bearings can be grease lubricated.

Fig. 25

Needle roller / thrust ball bearing



Full complement thrust bearing, NX



Thrust bearing with a cage, NKX

Fig. 26

NX series bearing with an inner ring

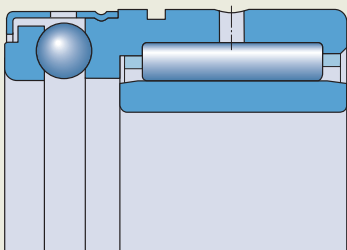
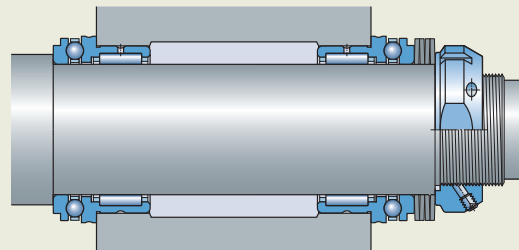


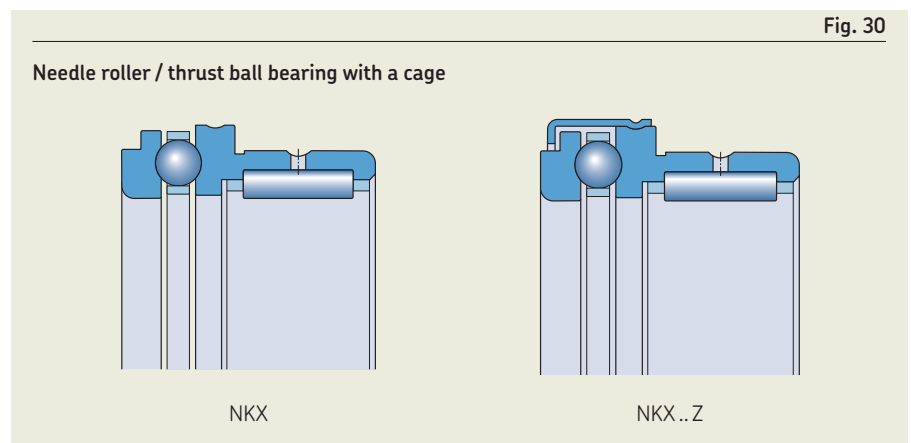
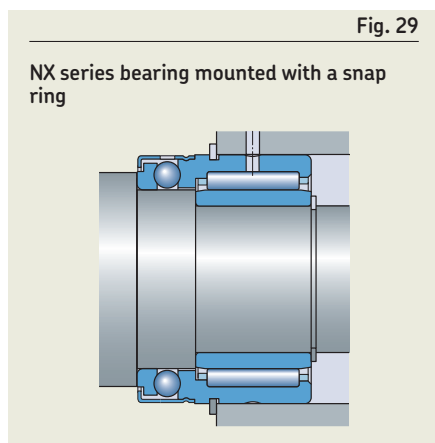
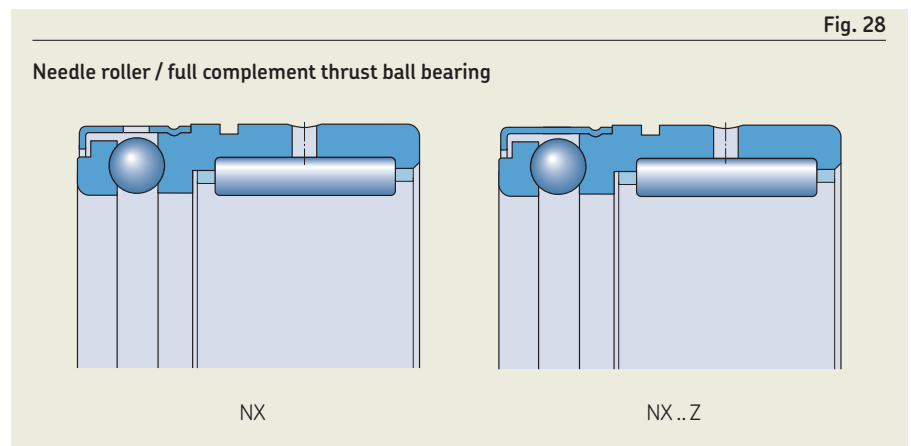
Fig. 27

NKX series bearings arranged back-to-back, incorporating Belleville washers



NKX series bearings with a cage

- consist of a radial needle roller bearing and a thrust ball bearing with a ball and cage thrust assembly identical to the 511 series (fig. 30)
- permit relatively high-speed operation
- are located axially in one direction by the outer ring flange
- can be mounted separately from both the ball and cage assembly and shaft washer
- should be oil lubricated, as there is no cover that retains the grease in the bearing
- have no stamped steel cover, as standard
- have a stamped steel cover for bearings with designation Z (fig. 30) that
 - has no lubrication holes
 - extends over the shaft washer of the thrust ball bearing
 - is firmly attached to the housing washer that is integral to the needle roller bearing outer ring
 - makes these bearings non-separable



7 Needle roller bearings

Needle roller / cylindrical roller thrust bearings

SKF supplies needle roller / cylindrical roller thrust bearings in the NKXR series (fig. 31).

These combined bearings:

- consist of a radial needle roller bearing and a cylindrical roller thrust bearing
- The cylindrical roller and cage thrust assembly is identical to the 811 series.
- are supplied without an inner ring
- can be combined with an inner ring (fig. 32), where the shaft cannot be hardened and ground (product table, page 658, must be ordered separately)
- can accommodate axial loads in one direction
- can locate the shaft in one direction only
- can be mounted back-to-back (fig. 33) for short shafts and where changes in length due to thermal expansion are relatively minor

For these types of arrangements, SKF recommends preloading the thrust ball bearings with Belleville washers (cup springs). This elastic preload helps to prevent the balls from skidding if one of the thrust bearings becomes unloaded. Preload also improves performance of the thrust ball bearings while reducing noise levels.

NKXR series bearings

- are separable
- can be mounted separately from both the cylindrical roller and cage thrust assembly and the shaft washer
- should be oil lubricated, as oil facilitates an adequate supply of lubricant to the bearing
- have no stamped steel cover, as standard
- have a stamped steel cover for bearings with designation suffix Z (fig. 34) that
 - has no lubrication holes
 - extends over the shaft washer of the cylindrical roller thrust bearing
 - is firmly attached to the housing washer that is integral to the needle roller bearing outer ring
 - makes these bearings non-separable

Fig. 31

Needle roller / cylindrical roller thrust bearing

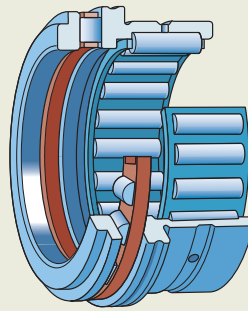


Fig. 32

NKXR .. Z bearing with an inner ring

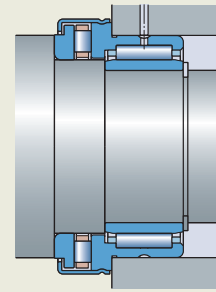


Fig. 33

NKXR series bearings arranged back-to-back, incorporating Belleville washers

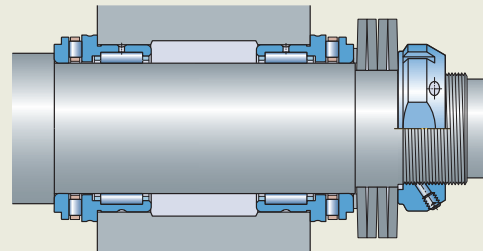
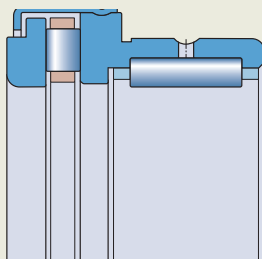


Fig. 34

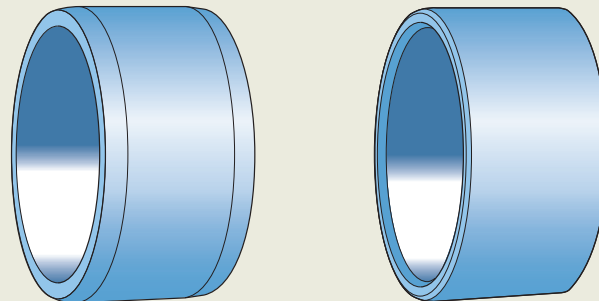
Needle roller / cylindrical roller thrust bearing



NKXR .. Z

Fig. 35

Inner rings



IR

LR

Needle roller bearing components

Needle roller bearing inner rings

SKF supplies inner rings for needle roller bearings separately. They are typically combined with needle roller and cage assemblies (page 583) or drawn cup needle roller bearings (page 584) in applications where the shaft cannot be hardened and ground.

Inner rings are available in two series (fig. 35):

- IR series
 - with or without a lubrication hole
 - with or without a machining allowance
- LR series

Both inner ring series:

- are also available in different widths
- permit greater axial displacement of the shaft, relative to the housing, when they are wider than standard
 - provide an excellent counterface for the lips of contact seals (fig. 12, page 586)
- should be located on both sides to prevent axial movement (regardless of whether the ring has an interference or loose fit)
 - one side can be located against a shoulder
 - the other side can be located by either a snap ring, a distance ring or a nut

IR series inner rings

- are the standard SKF inner rings for needle roller bearings
- are hardened and ground
- have a precision ground raceway surface with a lead-in chamfer on both sides

The chamfers facilitate assembly and protect the seal lips from damage during the mounting process.

- are available in some sizes with a lubrication hole (designation suffix IS1, fig. 36)

Inner rings with additional lubrication holes are available on request.

- are available on request with a pre-ground raceway and a machining allowance (designation suffix VGS, table 2)

They can be finish ground after mounting on a shaft in applications where extremely tight geometrical tolerances are required.

LR series inner rings

- are hardened, and the bore and raceway diameter are ground
- side faces are turned and the edges are smoothed
- can be used to provide a cost-effective bearing arrangement for applications where the larger run-out and width tolerances are less important

Needle rollers

Needle rollers can be used to design full complement bearing arrangements for low-speed or oscillating applications. These compact bearing arrangements have a very high load carrying capacity when compared to bearings with a cage and are economical, provided the shaft and housing bore can serve as raceways (*Raceways on shafts and in housings*, page 179).

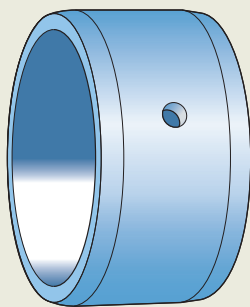
Needle rollers:

- are not listed in this catalogue, but can be found online at skf.com/go/17000-7-12
- are made of carbon chromium steel
- have a hardness of 58 to 65 HRC
- have a precision ground surface

For assistance in designing full complement bearing arrangements or to calculate performance data for these bearing arrangements, contact the SKF application engineering service.

Fig. 36

Inner ring with a lubrication hole



IR .. IS1

Table 2

Machining allowance of inner ring raceway diameter

Raceway diameter F	Machining allowance z	Pre-ground raceway diameter F _{VGS}
> ≤		
mm	mm	mm
–	50	0,10
50	80	0,15
80	180	0,20
180	250	0,25
250	315	0,30
315	400	0,35
400	500	0,40

F_{VGS} = F + z
(tolerance class h7(Ⓔ))

Sealing solutions

Associated external seals

- can be used for needle roller bearing arrangements (fig. 12, page 586)
- can be supplied in various sizes, as listed in the product tables:
 - Needle roller and cage assemblies, page 614
 - Drawn cup needle roller bearings, page 618
 - Needle roller bearings with machined rings with flanges, without an inner ring, page 624

For information about associated power transmission seals, refer to skf.com/seals.

Capped bearings

SKF supplies certain needle roller bearings capped with a seal or steel cover. The assortment of capped bearings includes:

- drawn cup needle roller bearings, sealed on one or both sides
- needle roller bearings with machined rings in the (R)NA 49 series, sealed on one or both sides
- combined needle roller bearings, capped with a steel cover over the thrust part of the bearing

When capped bearings must operate under certain conditions, such as very high speeds or high temperatures, some grease may leak. For bearing arrangements where this would be detrimental, appropriate actions could be taken.

Sealed drawn cup needle roller bearings

For applications where a sufficiently effective seal is not available, or cannot be used for space reasons, SKF supplies certain drawn cup needle roller bearings as sealed bearings. The assortment includes:

- drawn cup needle roller bearings with open ends (fig. 37)
 - available for $8 \leq F_w \leq 50$ mm
 - sealed on one side (designation suffix RS)
 - sealed on both sides (designation suffix .2RS)
- sealed drawn cup needle roller bearings with a closed end (designation suffix RS, fig. 38)
 - available for $10 \leq F_w \leq 25$ mm

These integral contact seals are made of PUR, FKM or NBR. Sealed drawn cup needle roller bearings are, under normal conditions and with appropriate counterface, an extremely cost-effective solution to exclude solid contaminants and moisture, and retain the lubricant in the bearing.

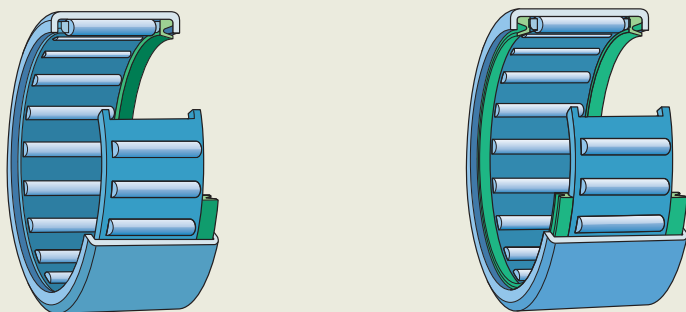
⚠ WARNING

Seals made of FKM (fluoro rubber) exposed to an open flame or temperatures above 300 °C (570 °F) are a health and environmental hazard! They remain dangerous even after they have cooled.

Read and follow the safety precautions on page 197.

Fig. 37

Sealed drawn cup needle roller bearing with open ends

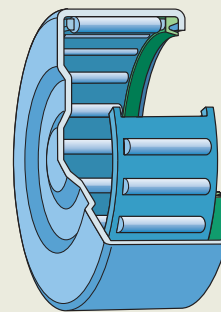


HK..RS

HK...2RS

Fig. 38

Sealed drawn cup needle roller bearing with a closed end



BK..RS

Sealed needle roller bearings with machined rings

- are available in the (R)NA 49 series with a contact seal made of NBR (effective at keeping the lubricant in and contaminants out of the bearing) on one (designation suffix RS) or both sides (designation suffix .2RS) (fig. 39)
- have an inner ring that is 1 mm wider than the outer ring, which maintains the effectiveness of the seals and simplifies the bearing arrangements even when small axial displacements occur

Capped combined needle roller bearings

SKF supplies certain combined needle roller bearings capped with a stamped steel cover over the thrust part of the bearing (designation suffix Z). The cover, which has no lubrication holes, forms a gap-type seal to retain

the grease in the bearing. The assortment includes:

- needle roller / full complement thrust ball bearings (fig. 28, page 591)
- needle roller / thrust ball bearings (fig. 30, page 591)
- needle roller / cylindrical roller thrust bearings (fig. 34, page 592)

Greases for capped bearings

Needle roller bearings with one or two seals are supplied greased. The thrust part of combined needle roller bearings with the designation suffix Z is also supplied greased. They are filled with high-quality grease (table 3) under clean conditions.

The relatively large quantity of grease in the bearings means they can be operated for long periods before relubrication is required. SKF recommends SKF LGWA 2 grease (table 3), if relubrication is required.

Relubrication features

SKF supplies needle roller bearings with different features to facilitate effective lubrication and relubrication.

Drawn cup needle roller bearings

All double row drawn cup needle roller bearings have one lubrication hole in the outer ring (fig. 11, page 585), as standard.

On request, SKF can supply any single row drawn cup needle roller bearing for inside diameters under the rollers $F_w \geq 7$ mm with a lubrication hole in the outer ring (fig. 40).

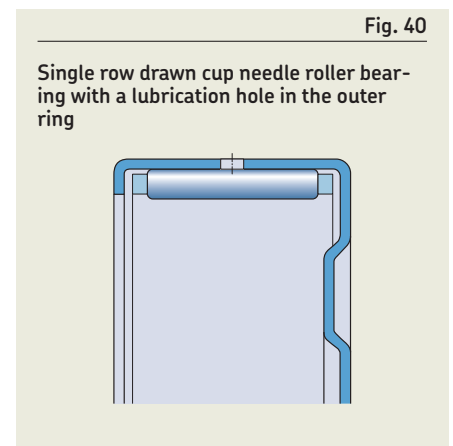
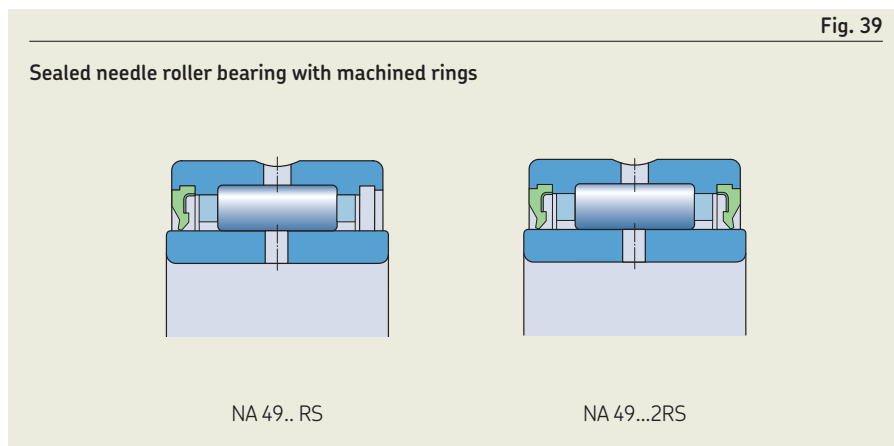


Table 3

Technical specifications of greases for capped needle roller bearings

Grease	Temperature range ¹⁾							Thickener	Base oil type	NLGI grade	Base oil viscosity [mm ² /s]	
	-50	0	50	100	150	200	250				at 40 °C (105 °F)	at 100 °C (210 °F)
Initial grease fill								Lithium complex soap	Mineral	2	160	15,5
LGWA 2								Lithium complex soap	Mineral	2	185	15

¹⁾ Refer to the SKF traffic light concept (page 117).

7 Needle roller bearings

Needle roller bearings with machined rings

- with flanges and $D \geq 19$ mm ($F, F_w \geq 12$ mm) have an annular groove and, depending on the bearing size, one or more lubrication holes in the outer ring (fig. 17, page 587)
- with seal(s) have an additional lubrication hole in the inner ring (fig. 39, page 595)
- double row and without flanges have an annular groove with one lubrication hole in the outer ring (fig. 20, page 587)
- without flanges and with an inner ring have one lubrication hole in the inner ring for certain sizes (product table, page 636)

Combined needle roller bearings

The needle roller bearing used in combined bearings has an annular groove with one lubrication hole in the outer ring.

Needle roller / full complement thrust ball bearings in the NX series without the designation suffix Z have a cover with lubrication holes over the thrust part of the bearing (fig. 28, page 591). Most often they are oil lubricated and, therefore, SKF supplies these bearings without grease.

Cages

SKF needle roller bearings are fitted with one of the cage designs shown in table 4.

When used at high temperatures, some lubricants can have a detrimental effect on polyamide cages. For additional information about the suitability of cages, refer to Cages, page 187.

Double row needle roller bearings

Double row needle roller and cage assemblies have a double row cage in the same design as a single row cage (fig. 4, page 583).

Other double row needle roller bearings are fitted with two cage assemblies (fig. 11, page 585, and fig. 18, page 587).

Cages for needle roller bearings

Cages for radial bearings



Cage type	Window-type
Material	Sheet steel or machined steel
Suffix	–
Bearing types	
Needle roller and cage assemblies	Standard
Drawn cup needle roller bearings	–
Needle roller bearings with machined rings	–
Alignment needle roller bearings	–
Needle roller / angular contact ball bearings	–
Needle roller / thrust ball bearings	–
Needle roller / cylindrical roller thrust bearings	–

Table 4

					Cages for thrust bearings		
Window-type	Window-type	Window-type	Window-type	Window-type	Window-type	Snap-type	Window-type
Sheet steel or machined steel	Sheet steel	Sheet steel	Sheet steel or machined steel	Glass fibre reinforced PA66	Sheet steel	Glass fibre reinforced PA66	Glass fibre reinforced PA66
-	-	-	-	TN	-	-	-
-	Standard	-	-	Standard	-	-	-
-	-	Standard	-	Standard	-	-	-
Standard	-	-	Standard	Standard	-	-	-
Standard	-	-	Standard	-	-	-	-
Standard	-	-	Standard	-	-	Standard	-
Standard	-	-	Standard	Standard	Standard	-	-
Standard	-	-	Standard	-	-	-	Standard

Bearing data

	Needle roller and cage assemblies	Drawn cup needle roller bearings
Dimension standards	ISO 3030 when $F_w \leq 100$ mm, as far as standardized	Boundary dimensions: ISO 3245, as far as standardized
Tolerances	<ul style="list-style-type: none"> • rollers: ISO 3096 Grade 2 (grade G2) <ul style="list-style-type: none"> – tolerance of each gauge 2 μm – standard gauges (table 5, page 601) – specific gauge to be stated when ordering • U: ISO 3030, as far as standardized ($-0,2/-0,8$ mm) 	ISO 3245, as far as standardized <ul style="list-style-type: none"> • $F_w \approx$ within F8 (table 8, page 602) Measuring of F_w: <ul style="list-style-type: none"> – bearing must be pressed into a thick-walled ring gauge, bore diameter listed in table 8 – check deviation of F_w with measuring mandrel • C: $0/-0,3$ mm
For additional information → page 35		Dimensional tolerances can be checked only if bearings are mounted.
Operating clearance	Range of C2 to Normal if: <ul style="list-style-type: none"> • fitted with standard gauge rollers (table 5, page 601) • recommended raceway tolerances (table 6, page 601) applied • normal operating conditions 	Range of C2 to C3 if recommended tolerances (table 17, page 610) applied
Internal clearance	Specific ranges: table 7, page 602	–
Permissible misalignment	≈ 1 minute of arc Misalignment increases bearing noise and reduces bearing service life, ...	≈ 1 minute of arc

Needle roller bearings with machined rings	Alignment needle roller bearings
Boundary dimensions: ISO 1206 for bearings in the (R)NA 48, (R)NA 49 and (R)NA 69 series	d, D: ISO 15 D ≤ 47 mm → diameter series 0 D ≥ 55 mm → diameter series 9
Normal P6 or P5 on request • Fw: F6 (table 9, page 603) Values are valid for unmounted bearings when rollers are in contact with the outer ring raceway. Tighter tolerance for inside diameter under the rollers on request (designation suffix H followed by two numbers that identify the tolerance limit, e.g. H+24+20). Values: ISO 492 (table 2, page 38, to table 4, page 40)	<ul style="list-style-type: none"> • Normal for the inner ring and the outer ring with sphered outside surface • C of the external drawn sheet steel sleeve: ± 0,5 mm • F_w: F6 (table 9, page 603) Values are valid for unmounted bearings and when rollers are in contact with the outer ring raceway. Values: ISO 492 (table 2, page 38)
Bearings without an inner ring Suitable ranges (table 10, page 603) where: <ul style="list-style-type: none"> • recommended shaft tolerance classes applied • housing bore tolerance not tighter than K7[Ⓔ] 	Bearings without an inner ring Range of C2 to C3 if recommended tolerances (table 17, page 610) applied
Normal (bearings with an inner ring) Check availability of C2, C3 or C4 clearance classes Values: ISO 5753-1 (table 11, page 603) Values are valid for unmounted bearings under zero measuring load.	
≈ 1 minute of arc	≤ 3° static misalignment No dynamic misalignment

... and when it exceeds the guideline value these effects become particularly noticeable.

7 Needle roller bearings

Bearing data, continued

	Needle roller / angular contact ball bearings	Needle roller / thrust ball bearings	Needle roller / cylindrical roller thrust bearings
Dimension standards	Boundary dimensions: ISO 15 – dimension series 59, except for following inner ring parameters in the NKIB 59 series: <ul style="list-style-type: none"> • extended width on one side • slightly larger bore diameter of the narrow part 	Boundary dimensions: DIN 5429-1, except for NX and NX..Z series bearings (not standardized)	Boundary dimensions: DIN 5429-1
Tolerances	Normal, except for width of the complete inner ring in the NKIB 59 series: 0/−0,3 mm Values: ISO 492 (table 2, page 38)	D: Normal F _w : F6 (table 9, page 603) d: E8 (table 9) C: 0/−0,25 mm C ₁ (applicable to NKX(R) series only): 0/−0,2 mm Values: Radial bearings → ISO 492 (table 2, page 38) Thrust bearings → ISO 199 (table 10, page 46)	
For additional information → page 35			
Operating clearance	–	Bearings without an inner ring Range slightly less than Normal if recommended tolerances (table 17, page 610) applied	
Internal clearance	Normal (bearings with an inner ring) Check availability of C2, C3 or C4 clearance classes Values: ISO 5753-1 (table 11, page 603) Values are valid for unmounted bearings under zero measuring load.	–	
Permissible misalignment	Misalignment increases bearing noise and reduces bearing service life.	Cannot tolerate any misalignment.	

Bearing data, continued			
	Needle roller bearing inner rings		Needle rollers
	IR series	LR series	
Dimension standards	–		ISO 3096, except for RN-2x6.3 BF/G2 that is not standardized
Tolerances For additional information → page 35	Normal Values: ISO 492 (table 2, page 38), except for raceway tolerances (table 12, page 604)	F: h6 B: h12 d: K6 Values: table 13, page 604	ISO 3096 Grade 2 for flat end needle rollers Available tolerances (table 14, page 604)
Operating clearance	Depends on the bearing type with which the inner ring is combined.		–
Internal clearance	Depends on the bearing type with which the inner ring is combined.		–



Table 5

Needle roller gauges	
Gauge type	Gauge
–	μm
Standard gauges	0/–2 –1/–3 –2/–4 –3/–5 –4/–6 –5/–7

For additional gauges available on request, contact SKF.

Table 6

Raceway tolerance classes for needle roller and cage assemblies				
Shaft Nominal diameter		Housing/shaft tolerance classes for operating clearance ¹⁾		
>	≤	lower side	medium	higher side
mm		–		
–	80	G6/f5 H6/h5	G6/h5 H6/g5	G6/g6 H6/f6
80	120	G6/h5	G6/g5	G6/f6
120	–	G6/h5 –	G6/g5 H6/f5	G6/f6 H6/e6

¹⁾ The envelope requirement (symbol E from ISO 14405-1) is not shown but applies to all tolerance classes.

Table 7

Mounting scheme – example

Needle roller and cage assembly: K 16x22x12
 Housing bore diameter: 22H6 (E) [mm], deviation 0/+13 μm
 Shaft diameter: 16h5 (E) [mm], deviation 0/-8 μm

Shaft diameter Deviation group	Housing bore diameter							
	0 to +3		+3 to +6		+6 to +9		+9 to +13	
	Needle roller gauge limits	Radial internal clearance	Needle roller gauge limits	Radial internal clearance	Needle roller gauge limits	Radial internal clearance	Needle roller gauge limits	Radial internal clearance
μm	μm							
0 to -3					-5/-7	18-24	-3/-5	17-24
-3 to -6			-5/-7	18-24	-3/-5 -4/-6	17-25	-2/-4	18-25
-6 to -8	-5/-7 -6/-8	18-25	-3/-5 -4/-6	17-24	-2/-4 -3/-5	18-25	0/-2 -1/-3	17-25

The mean value of the needle roller gauge should be used to calculate the internal clearance, e.g. -6 μm for the gauge -5 to -7 μm.

Table 8

Tolerances for drawn cup needle roller bearings

Bearing Inside diameter F_w	Outside diameter D	Ring gauge Bore diameter (measured)	Deviations from nominal inside diameter		Bearing Inside diameter F_w	Outside diameter D	Ring gauge Bore diameter (measured)	Deviations from nominal inside diameter	
			U	L				U	L
mm	mm	mm	μm		mm	mm	mm	μm	
3	6,5	6,484	+24	+6	18	24	23,976	+34	+16
4	8	7,984	+28	+10	20	26	25,976	+41	+20
5	9	8,984	+28	+10	22	28	27,976	+41	+20
6	10	9,984	+28	+10	25	32	31,972	+41	+20
7	11	10,980	+31	+13	28	35	34,972	+41	+20
8	12	11,980	+31	+13	30	37	36,972	+41	+20
9	13	12,980	+31	+13	32	39	38,972	+50	+25
10	14	13,980	+31	+13	35	42	41,972	+50	+25
12	16	15,980	+34	+16	40	47	46,972	+50	+25
12	18	17,980	+34	+16	45	52	51,967	+50	+25
13	19	18,976	+34	+16	50	58	57,967	+50	+25
14	20	19,976	+34	+16	55	63	62,967	+60	+30
15	21	20,976	+34	+16	60	68	67,967	+60	+30
16	22	21,976	+34	+16					
17	23	22,976	+34	+16					

Table 9

ISO tolerance classes					
Nominal diameter		E8 [Ⓔ] Deviation		F6 [Ⓔ] Deviation	
>	≤	U	L	U	L
mm		μm		μm	
–	3	–	–	+12	+6
3	6	–	–	+27	+10
6	10	+47	+25	+33	+13
10	18	+59	+32	+27	+16
18	30	+73	+40	+33	+20
30	50	+89	+50	+41	+25
50	80	+106	+60	+49	+30
80	120	–	–	+58	+36
120	180	–	–	+68	+43
180	250	–	–	+79	+50
250	315	–	–	+88	+56
315	400	–	–	+98	+62
400	500	–	–	+108	+68

Table 10

Shaft tolerance classes for machined needle roller bearings without an inner ring				
Nominal inside diameter		Shaft tolerance classes ¹⁾ for shaft raceways to give operating clearance		
F _w		lower side	medium	higher side
>	≤			
mm		–		
–	65	k5	h5	g6
65	80	k5	h5	f6
80	160	k5	g5	f6
160	180	k5	g5	e6
180	200	j5	g5	e6
200	250	j5	f6	e6
250	315	h5	f6	d6
315	400	g5	f6	d6

¹⁾ The envelope requirement (symbol [Ⓔ] from ISO 14405-1) is not shown but applies to all tolerance classes.

Table 11

Radial internal clearance for needle roller bearings									
Bore diameter		Radial internal clearance							
d		C2		Normal		C3		C4	
>	≤	min.	max.	min.	max.	min.	max.	min.	max.
mm		μm							
–	30	0	25	20	45	35	60	50	75
30	40	5	30	25	50	45	70	60	85
40	50	5	35	30	60	50	80	70	100
50	65	10	40	40	70	60	90	80	100
65	80	10	45	40	75	65	100	90	125
80	100	15	50	50	85	75	110	105	140
100	120	15	55	50	90	85	125	125	165
120	140	15	60	60	105	100	145	145	190
140	160	20	70	70	120	115	165	165	215
160	180	25	75	75	125	120	170	170	220
180	200	35	90	90	145	140	195	195	250
200	225	45	105	105	165	160	220	220	280
225	250	45	110	110	175	170	235	235	300
250	280	55	125	125	195	190	260	260	330
280	315	55	130	130	205	200	275	275	350
315	355	65	145	145	225	225	305	305	385
355	400	100	190	190	280	280	370	370	460



Table 12

Inner ring raceway tolerances

Nominal diameter		F		$t_{\Delta F_{mp}}$ for CN and EGS	
>	≤	>	≤	U	L
mm		mm		μm	
–	3	3	6	–10	–27
3	6	6	10	–7	–23
6	10	6	10	–7	–23
6	18	10	18	–4	–18
10	24	18	30	0	–12
18	24	30	50	5	–4
24	30	24	30	0	–12
24	30	30	50	5	–4
30	40	30	50	0	–9
40	50	40	50	–5	–19
40	50	50	80	0	–11
50	65	50	80	–10	–21
65	80	65	80	–10	–26
65	80	80	120	–4	–17
80	100	80	120	–14	–27
100	120	100	120	–14	–32
100	120	120	180	–7	–22
120	140	120	180	–17	–37
140	160	140	180	–27	–52
160	180	160	180	–32	–57
160	180	180	250	–25	–46
180	200	180	250	–40	–66
200	225	200	250	–55	–86
225	250	250	315	–54	–87
250	280	250	315	–69	–107
280	315	315	400	–68	–107
315	335	315	400	–83	–127
355	400	355	400	–128	–182
355	400	400	500	–122	–172

Table 13

ISO tolerance classes for LR series inner rings

Nominal diameter		h6 [Ⓔ]		h12 [Ⓔ]		K6 [Ⓔ]	
>	≤	U	L	U	L	U	L
mm		μm		μm		μm	
6	10	0	–9	–	–	+2	–7
10	18	0	–11	0	–180	+2	–9
18	30	0	–13	0	–210	+2	–11
30	50	0	–16	0	–250	+3	–13
50	80	0	–19	–	–	–	–

Table 14

Dimensional and geometrical tolerances of SKF needle rollers, grade G2

Diameter D_w		Gauge tolerance	Gauge limits	Roundness (max. circularity deviation in accordance with ISO 3096)	Length L_w Tolerance class
Deviation	D_w				
U	L				
μm					–
0	–10	2	0/–2 –1/–3 –2/–4 –3/–5 –4/–6 –5/–7 –6/–8 –7/–9 –8/–10	1	h13 [Ⓔ]

Preferred diameter deviations range from 0 to –7 μm.
Each gauge is packed separately and marked with the gauge limits, e.g. N/M2 or M2/M4, where M signifies minus and N zero. For a needle roller with a 2 mm nominal diameter and gauge limits M2/M4, the actual diameter is between 1,998 mm and 1,996 mm.





Loads

	Needle rollers and cage assemblies	Drawn cup needle roller bearings	Needle roller bearings with machined rings	Alignment needle roller bearings
Minimum load For additional information → page 106	$F_{rm} = 0,02 C$			
Equivalent dynamic bearing load For additional information → page 91	$P = F_r$			
Equivalent static bearing load For additional information → page 105	$P_0 = F_r$ For drawn cup needle roller bearings, SKF recommends applying a static safety factor $s_0 \geq 3$, i.e. $s_0 = C_0/P_0 \geq 3$.			
	Symbols A minimum load factor (product tables) C basic dynamic load rating [kN] (product tables) C ₀ basic static load rating [kN] (product tables) d _m bearing mean diameter [mm] = 0,5 (d + D) F _a axial load [kN] F _{am} minimum axial load [kN] F _r radial load [kN] F _{rm} minimum radial load [kN] n rotational speed [r/min] P equivalent dynamic bearing load [kN] P ₀ equivalent static bearing load [kN] s ₀ static safety factor			

Combined needle roller bearings		
Thrust part		
Angular contact ball bearing	Thrust ball bearing	Cylindrical roller thrust bearing
$F_{am} = 0,25 \frac{C_0}{1\ 000} \left(\frac{n\ d_m}{100\ 000} \right)^2$	$F_{am} = A \left(\frac{n}{1\ 000} \right)^2$	$F_{am} = 0,0005\ C_0 + A \left(\frac{n}{1\ 000} \right)^2$
$P = F_a$ F_a must not exceed $0,25\ F_r$.	$P = F_a$	$P = F_a$
$P_0 = F_a$ F_a must not exceed $0,25\ F_r$.	$P_0 = F_a$	$P_0 = F_a$

Temperature limits

The permissible operating temperature for needle roller bearings can be limited by:

- the dimensional stability of the bearing rings and rolling elements
- the cages
- the seals
- the seating rings
- the lubricant

Where temperatures outside the permissible range are expected, contact SKF.

Bearing rings and rolling elements

SKF needle roller bearings, and roller and cage assemblies are heat stabilized up to 120 °C (250 °F).

Drawn cup needle roller bearings are heat stabilized up to 140 °C (285 °F).

Cages

Steel cages can be used at the same operating temperatures as the bearing rings and rolling elements. For temperature limits of polymer cages, refer to *Polymer cages*, [page 188](#).

Seals

The permissible operating temperature for seals depends on the seal material:

- NBR: -40 to +100 °C (-40 to +210 °F)
Temperatures up to 120 °C (250 °F) can be tolerated for brief periods.
- PUR: -30 to +100 °C (-20 to +210 °F)
- FKM: -30 to +200 °C (-20 to +390 °F)
Temperatures up to 230 °C (445 °F) can be tolerated for brief periods.

Typically, temperature peaks are at the seal lip.

Seating rings

The permissible operating temperature for seating rings is -30 to +100 °C (-20 to +210 °F).

Lubricants

Temperature limits for greases used in capped needle roller bearings are provided in [table 3, page 595](#), and for full complement drawn cup needle roller bearings in [table 1, page 585](#). For temperature limits of other SKF greases, refer to *Selecting a suitable SKF grease*, [page 116](#).

When using lubricants not supplied by SKF, temperature limits should be evaluated according to the SKF traffic light concept ([page 117](#)).

Permissible speed

The speed ratings in the **product tables** indicate:

- the **reference speed**, which enables a quick assessment of the speed capabilities from a thermal frame of reference
- the **limiting speed**, which is a mechanical limit that should not be exceeded unless the bearing design and the application are adapted for higher speeds

For additional information, refer to *Operating temperature and speed*, [page 129](#).

Design considerations

For general information, refer to *Bearing interfaces*, page 140.

Abutment dimensions

Needle roller and cage assemblies

Appropriate abutment diameters are provided in [table 15](#).

Recommendations for surfaces of adjacent machine components that guide needle roller and cage assemblies axially:

- fine turned and polished
- hardened and ground for high-speed operations
- no interruptions

For less demanding applications, snap rings can be used. Otherwise, use an intermediate ring, e.g. a spring steel washer, between the snap ring and the cage assembly.

Needle roller bearings with machined rings, without flanges

Appropriate abutment diameters are listed in the [product tables](#).

Recommendations for surfaces of adjacent machine components that guide the cage of needle roller bearings without flanges axially:

- fine turned and polished
- hardened and ground for high-speed operations
- no interruptions

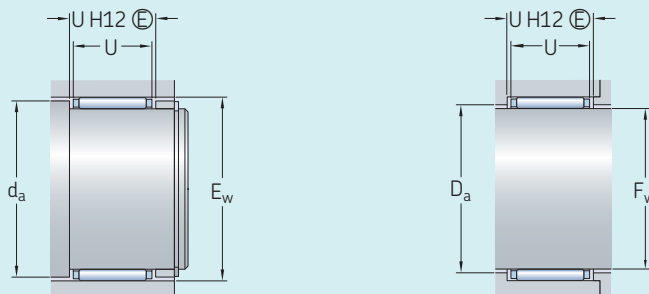
For less demanding applications, snap rings can be used. Otherwise, use an intermediate ring, e.g. a spring steel washer, between the snap ring and the cage assembly.

Combined needle roller bearings

The diameter of the thrust bearing support surface in the housing should be at least 0,5 mm larger than the dimension D_1 or D_2 ([fig. 41](#) and product tables of *Needle roller / thrust ball bearings*, page 656, and *Needle roller / cylindrical roller thrust bearings*, page 658).

Table 15

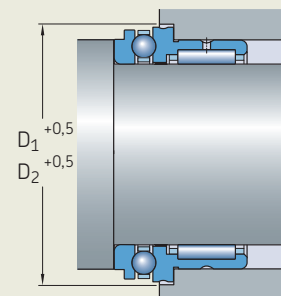
Abutment dimensions for needle roller and cage assemblies



Needle roller and cage assembly Inside diameter F_w		Shaft abutment d_a	Housing abutment D_a
>	≤		
mm		mm	mm
–	25	$E_w - 0,3$	$F_w + 0,4$
25	65	$E_w - 0,5$	$F_w + 0,5$
65	–	$E_w - 1$	$F_w + 1$

Fig. 41

Abutment dimensions, combined needle roller bearing



Shaft and housing tolerances

The following tables provide tolerance classes to obtain suitable fits and an appropriate operating clearance (page 598) for the following bearings:

- drawn cup needle roller bearings
- needle roller bearings with machined rings
- alignment needle roller bearings
- combined needle roller bearings

Shaft and housing raceway tolerances significantly influence the operating clearance of needle roller and cage assemblies and needle roller bearings with a machined outer ring (without an inner ring) and, therefore, are provided under *Operating clearance*, page 598.

For additional information about raceways, refer to *Raceways on shafts and in housings*, page 179.

Drawn cup needle roller bearings

Suitable tolerance classes for the housing bore and shaft for bearings with or without an inner ring are provided in table 16.

Needle roller bearings with machined rings

- Suitable tolerance classes for the shaft for bearings with machined inner and outer rings are provided in table 18.
- Housing seat tolerances for standard conditions are provided in table 8, page 151.

Alignment needle roller bearings

Suitable tolerance classes for the housing bore and shaft for bearings with or without an inner ring are provided in table 16.

Combined needle roller bearings

Suitable tolerance classes for the housing bore and shaft for bearings with or without an inner ring are provided in table 17.

Table 16

Shaft and housing tolerance classes for drawn cup and alignment needle roller bearings

Housing material ¹⁾	Tolerance classes ²⁾		Raceway on the shaft	Shaft inner ring seat
	Housing bore seat ³⁾			
Steel, cast iron	N6		h5	k5
Light alloy	R6		h5	k5

¹⁾ For housings that are not rigid, determine the shaft tolerance by trial and error.

²⁾ The envelope requirement (symbol E from ISO 14405-1) is not shown but applies to all tolerance classes.

³⁾ The geometrical tolerance in accordance with ISO 1101 for the housing bore of drawn cup needle roller bearings must correspond to IT5/2 tolerance grade.

Table 17

Shaft and housing tolerance classes for combined needle roller bearings

Thrust part	Tolerance class ¹⁾	
	Housing bore seat	Shaft (raceway and inner ring seat)
Angular contact ball bearing	M6	k5
Thrust ball bearing	K6 ²⁾	k5
Cylindrical roller thrust bearing	K6 ²⁾	k5

¹⁾ The envelope requirement (symbol E from ISO 14405-1) is not shown but applies to all tolerance classes.

²⁾ For stiff bearing arrangements, SKF recommends an M6 E housing bore tolerance class.

Mounting

Drawn cup and alignment needle roller bearings should be pressed into the housing bore using a mounting dolly (fig. 42). An O-ring provides a simple means of retaining the bearing on the mounting dolly. The stamped side (side face with the designation) should abut the flange of the mounting dolly.

Special care should be taken to prevent the bearing from skewing or tilting when it is being pressed into the housing. Otherwise the rollers and raceways could easily be damaged.

For grease lubricated bearings, the bearing should be lubricated prior to mounting.

Paired mounting

If bearings are to be mounted immediately adjacent to each other, the load should be shared equally by both bearings. Therefore, the following need to be considered:

- Full complement needle roller arrangements should incorporate rollers of the same gauge.
- Needle roller and cage assemblies should incorporate rollers of the same gauge
- Drawn cup needle roller bearings should have the same deviations from the nominal inside diameter F_w .

A delivery of needle rollers of the same nominal diameter may contain packages of one or more gauges. The gauge limits are also printed on the package.

For needle roller and cage assemblies, the deviation from the nominal dimensions of the fitted needle rollers is printed on the package.

For additional information about gauges and inside diameter, refer to *Tolerances*, page 598.

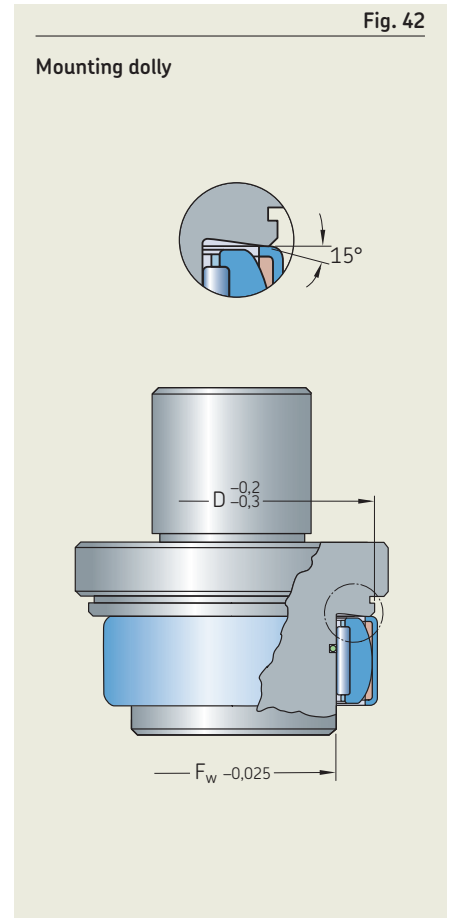


Table 18

Shaft tolerance classes for needle roller bearings with machined inner and outer rings on solid steel shafts

Conditions	Shaft diameter	Dimensional tolerance ¹⁾	Total radial run-out tolerance ²⁾	Ra
–	mm	–	–	µm
Rotating inner ring load or direction of load indeterminate				
Light and variable loads ($P \leq 0,05 C$)				
	≤ 10	k5	IT5/2	0,4
	> 10 to 25	k6	IT5/2	0,8
	> 25 to 100	m6	IT5/2	0,8
Normal to heavy loads ($0,05 C < P \leq 0,1 C$)				
	≤ 25	k5	IT5/2	0,4
	> 25 to 60	m6	IT5/2	0,8
	> 60 to 100	n6	IT5/2	0,8
	> 100 to 400	p6 ³⁾	IT5/2	1,6
Heavy to very heavy loads ($P > 0,1 C$)				
	> 50 to 100	n6 ³⁾	IT5/2	0,8
	> 100 to 200	p6 ³⁾	IT5/2	1,6
	> 200	r6 ³⁾	IT5/2	1,6
Stationary inner ring load				
Easy axial displacement of the inner ring on the shaft desirable		g6	IT5/2	1,6
Easy axial displacement of the inner ring on the shaft unnecessary		h6	IT5/2	1,6

¹⁾ The envelope requirement (symbol \oplus from ISO 14405-1) is not shown but applies to all tolerance classes.

²⁾ Values listed are for bearings to Normal tolerances.

³⁾ Bearings with radial internal clearance greater than Normal may be necessary.

Designation system



Prefixes

R Bearing without an inner ring

Basic designation

BK Drawn cup needle roller bearing with a closed end
HK Drawn cup needle roller bearing with open ends
HN Drawn cup needle roller bearing with open ends, full complement
IR Needle roller bearing inner ring
K Needle roller and cage assembly
LR Needle roller bearing inner ring
NA 48,
NA 49,
NA 69 Needle roller bearing with machined rings, with flanges, with an inner ring
NAO Needle roller bearing with machined rings, without flanges, with an inner ring
NK, NKS Needle roller bearing with machined rings, with flanges, without an inner ring
NKI, NKIS Needle roller bearing with machined rings, with flanges, with an inner ring
NKIA 59,
NKIB 59 Needle roller / angular contact ball bearing
NKX Needle roller / thrust ball bearing
NKXR Needle roller / cylindrical roller thrust bearing
NX Needle roller / full complement thrust ball bearing
PNA Alignment needle roller bearing
RN Needle roller

Suffixes

Group 1: Internal design

BF Needle roller with flat ends
D Deviating or modified internal design with the same boundary dimensions.
 Example: K 40x45x17 D (Needle roller and cage assembly with a double split cage)
DS Single split needle roller and cage assembly
EGS Inner ring with a non-directionally ground raceway
VGS Inner ring with a pre-ground raceway and a machining allowance
ZW Double row needle roller and cage assembly (double row cage)

Group 2: External design (seals, snap ring groove, etc.)

AS.. Outer ring with lubrication hole(s), the number following indicates the number of holes
ASR.. Outer ring with annular groove and lubrication hole(s), the number following indicates the number of holes
IS.. Inner ring with lubrication hole(s), the number following indicates the number of holes
ISR.. Inner ring with annular groove and lubrication hole(s), the number following indicates the number of holes
RS, .2RS Contact seal on one or both sides, respectively

- NBR or FKM or PUR for a drawn cup needle roller bearing
- NBR for a machined needle roller bearing

Z Combined needle roller bearing, factory greased thrust bearing with a cover without lubrication holes over the outside diameter

Group 3: Cage design

TN Glass fibre reinforced PA66 cage

Group 4					
4.1	4.2	4.3	4.4	4.5	4.6

Group 4.6: Other variants

VG052 Single split PES (polyethersulfone) cage

Group 4.5: Lubrication

SM.. Special grease, two numbers following identify the grease

Group 4.4: Stabilization

S0 Bearing or inner ring heat stabilized for operating temperatures $\leq 150\text{ °C}$ (300 °F)

S1 Bearing or inner ring heat stabilized for operating temperatures $\leq 200\text{ °C}$ (390 °F)

S2 Bearing or inner ring heat stabilized for operating temperatures $\leq 250\text{ °C}$ (480 °F)

S3 Bearing or inner ring heat stabilized for operating temperatures $\leq 300\text{ °C}$ (570 °F)

Group 4.3: Bearing sets, matched bearings

..S Matched bearings for an equal load distribution. The number preceding indicates the number of bearings, e.g. NK 50/25 TN/2S

Group 4.2: Accuracy, clearance, preload, quiet running

/SORT.. Tolerance grade of needle rollers of a needle roller and cage assembly, the numbers following identify the actual limits in μm , e.g. /SORT-2-4

CN Normal radial internal clearance; only used together with an additional letter that identifies a reduced or displaced clearance range

H Reduced clearance range corresponding to the upper half of the actual clearance range

L Reduced clearance range corresponding to the lower half of the actual clearance range

M Reduced clearance range corresponding to the two middle quarters of the actual clearance range

P Displaced clearance range comprising the upper half of the actual clearance range plus the lower half of the next larger clearance range

R Normal clearance range in accordance with the withdrawn DIN 620-4

The above letters H, L, M and P are also used together with the clearance classes C2, C3, C4.

C2 Radial internal clearance smaller than Normal

C3 Radial internal clearance greater than Normal

C4 Radial internal clearance greater than C3

G2 Needle roller in accordance with ISO 3096 Grade 2

H.. Bearing without an inner ring and reduced inside diameter (under rollers) tolerance, the numbers following indicate the tolerance limits in μm , e.g. H+27+20

M../M.. Diameter tolerance of needle rollers, e.g. M2/M4 indicates diameter tolerance -2 to $-4\ \mu\text{m}$

N/M.. Diameter tolerance of needle rollers, e.g. N/M2 indicates diameter tolerance 0 to $-2\ \mu\text{m}$

P5 Dimensional and geometrical tolerances to class P5

P6 Dimensional and geometrical tolerances to class P6

P62 P6 + C2

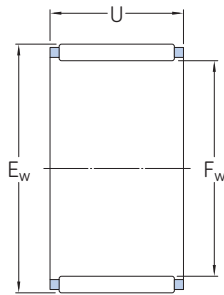
P63 P6 + C3

P6CNR P6 + CNR

Group 4.1: Materials, heat treatment

7.1 Needle roller and cage assemblies

F_w 3 – 30 mm



Principal dimensions			Basic load ratings		Fatigue load limit	Speed ratings		Mass	Designation	Associated radial shaft seals ¹⁾	
F_w	E_w	U	C	C_0	P_u	Reference speed	Limiting speed			Single lip	Double lip
mm			kN		kN	r/min		g	–	–	
3	5	7	1,51	1,34	0,134	40 000	45 000	0,3	K 3x5x7 TN	–	–
	5	9	1,68	1,53	0,153	40 000	45 000	0,4	► K 3x5x9 TN	–	–
4	7	7	1,72	1,32	0,137	36 000	43 000	0,5	K 4x7x7 TN	–	–
	7	10	2,29	1,9	0,204	36 000	43 000	0,7	K 4x7x10 TN	–	–
5	8	8	2,29	2	0,212	36 000	40 000	0,7	K 5x8x8 TN	–	–
	8	10	2,92	2,7	0,29	36 000	40 000	0,9	► K 5x8x10 TN	–	–
6	9	8	2,55	2,36	0,25	34 000	38 000	0,8	K 6x9x8 TN	–	–
	9	10	3,3	3,2	0,345	34 000	38 000	1,1	K 6x9x10 TN	–	–
7	10	8	2,81	2,75	0,29	32 000	36 000	0,9	K 7x10x8 TN	–	–
	10	10	3,58	3,75	0,415	32 000	36 000	1	K 7x10x10 TN	–	–
8	11	10	3,8	4,25	0,465	32 000	36 000	1,2	K 8x11x10 TN	–	–
	11	13	5,01	5,85	0,67	32 000	36 000	1,7	K 8x11x13 TN	–	–
	12	10	4,84	4,75	0,54	30 000	34 000	2	K 8x12x10 TN	G 8x12x3	–
9	12	10	4,4	5,2	0,57	30 000	34 000	1,5	K 9x12x10 TN	–	–
10	13	10	4,57	5,7	0,63	28 000	32 000	1,6	► K 10x13x10 TN	–	–
	13	13	5,94	8	0,9	28 000	32 000	2,3	K 10x13x13 TN	–	–
	14	10	5,61	6,1	0,695	28 000	32 000	2,5	K 10x14x10 TN	G 10x14x3	–
	14	13	7,21	8,5	0,98	28 000	32 000	4,6	K 10x14x13 TN	G 10x14x3	–
12	15	10	4,73	6,2	0,695	26 000	30 000	2,9	K 12x15x10 TN	–	–
	15	13	6,16	8,65	0,98	26 000	30 000	2,3	K 12x15x13 TN	–	–
14	17	13	9,13	10,4	1,22	26 000	30 000	4,9	K 12x17x13 TN	–	–
	18	12	9,52	10	1,18	26 000	30 000	6	K 12x18x12 TN	G 12x18x3	SD 12x18x3
14	18	10	6,93	8,65	1	24 000	28 000	4	K 14x18x10	–	–
	18	13	7,92	10,2	1,18	24 000	28 000	6,5	K 14x18x13	–	–
	18	15	9,13	12,5	1,46	24 000	28 000	5	K 14x18x15 TN	–	–
	18	17	10,5	14,6	1,7	24 000	28 000	8	K 14x18x17	–	–
15	19	13	8,25	11,2	1,29	24 000	28 000	7	► K 15x19x13	–	–
	19	17	10,8	15,6	1,86	24 000	28 000	9,5	► K 15x19x17	–	–
	21	15	13,8	16,3	2	24 000	26 000	11	K 15x21x15	G 15x21x3	SD 15x21x3
	21	21	18,7	24,5	3	24 000	26 000	17	K 15x21x21	G 15x21x3	SD 15x21x3

► Popular item

¹⁾ For additional information → skf.com/seals

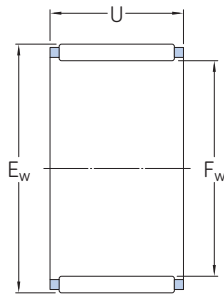
Principal dimensions			Basic load ratings		Fatigue load limit	Speed ratings		Mass	Designation	Associated radial shaft seals ¹⁾	
F _w	E _w	U	dynamic	static		Reference speed	Limiting speed			Single lip	Double lip
mm			kN		kN	r/min		g	–	–	
16	20	10	7,48	10	1,16	24 000	26 000	5,5	K 16x20x10	–	–
	20	13	8,58	12	1,37	24 000	26 000	7,5	K 16x20x13	–	–
	20	17	11,2	17	2	24 000	26 000	10	K 16x20x17	–	–
	22	12	11	12,5	1,5	22 000	26 000	10	K 16x22x12	G 16x22x3	SD 16x22x3
	22	16	14,2	17,6	2,12	22 000	26 000	12	K 16x22x16	G 16x22x3	SD 16x22x3
	22	20	17,6	22,8	2,8	22 000	26 000	17	K 16x22x20	G 16x22x3	SD 16x22x3
	24	20	20,5	23,6	2,9	22 000	24 000	22	K 16x24x20	G 16x24x3	SD 16x24x3
17	21	10	7,81	10,8	1,22	22 000	26 000	5,5	K 17x21x10	–	–
18	24	12	12,1	15	1,8	20 000	24 000	12	K 18x24x12	G 18x24x3	SD 18x24x3
19	23	13	9,13	13,7	1,6	20 000	24 000	8	K 19x23x13	–	–
20	24	10	8,58	12,9	1,46	20 000	22 000	6,5	K 20x24x10	–	–
	24	13	9,52	14,6	1,66	20 000	22 000	9	K 20x24x13	–	–
	24	17	12,5	20,8	2,4	20 000	22 000	12	K 20x24x17	–	–
	26	17	18,3	26	3,2	19 000	22 000	16	K 20x26x17	G 20x26x4	SD 20x26x4
	26	20	20,1	29	3,6	19 000	22 000	19	▶ K 20x26x20	G 20x26x4	SD 20x26x4
	28	20	22,9	28,5	3,45	18 000	20 000	27	K 20x28x20	G 20x28x4	SD 20x28x4
	28	25	29,2	39	4,9	18 000	20 000	32	▶ K 20x28x25	G 20x28x4	SD 20x28x4
	30	30	34,1	41,5	5,2	17 000	20 000	49	K 20x30x30	–	–
21	25	13	9,68	15,3	1,76	19 000	22 000	9	K 21x25x13	–	–
22	26	10	8,8	13,7	1,56	18 000	20 000	7,5	▶ K 22x26x10	–	–
	26	13	10,1	16,3	1,86	18 000	20 000	9,5	K 22x26x13	–	–
	26	17	13,2	22,8	2,7	18 000	20 000	12	K 22x26x17	–	–
	28	17	18,3	27	3,25	17 000	20 000	18	K 22x28x17	G 22x28x4	SD 22x28x4
	29	16	19,4	25,5	3,05	17 000	19 000	16	K 22x29x16	–	–
	30	15	19	23,6	2,8	17 000	19 000	18	K 22x30x15 TN	G 22x30x4	SD 22x30x4
23	35	16	24,2	23,2	2,9	15 000	17 000	29	K 23x35x16 TN	–	–
24	28	10	9,35	15	1,73	17 000	19 000	8,5	K 24x28x10	–	–
	28	13	10,6	18	2,08	17 000	19 000	10	K 24x28x13	–	–
	30	17	18,7	27,5	3,4	16 000	18 000	19	K 24x30x17	–	–
25	29	10	9,52	15,6	1,8	16 000	18 000	8,5	K 25x29x10	–	–
	29	13	10,8	18,6	2,16	16 000	18 000	11	K 25x29x13	–	–
	30	17	17,9	30,5	3,6	16 000	18 000	16	K 25x30x17	–	–
	30	20	20,9	36,5	4,4	16 000	18 000	18	K 25x30x20	–	–
	32	16	19,8	27,5	3,35	15 000	17 000	21	K 25x32x16	G 25x32x4	–
	33	20	27,5	38	4,65	15 000	17 000	33	K 25x33x20	G 25x33x4	SD 25x33x4
	35	30	44,6	62	7,8	15 000	17 000	65	▶ K 25x35x30	G 25x35x4	SD 25x35x4
26	30	13	11,2	19,6	2,28	16 000	18 000	11	K 26x30x13	–	–
28	33	13	14,7	24,5	2,85	14 000	16 000	13	K 28x33x13	–	–
	33	17	19	33,5	4,05	14 000	16 000	17	K 28x33x17	–	–
30	35	13	15,1	25,5	3	13 000	15 000	14	K 30x35x13	–	–
	35	17	18,7	34	4,05	13 000	15 000	19	K 30x35x17	–	–
	35	27	29,2	60	7,35	13 000	15 000	30	K 30x35x27	–	–
	37	18	25,1	39	4,65	13 000	15 000	30	K 30x37x18	G 30x37x4	SD 30x37x4
	40	30	46,8	69,5	8,65	12 000	14 000	73	K 30x40x30	G 30x40x4	SD 30x40x4

▶ Popular item

¹⁾ For additional information → skf.com/seals

7.1 Needle roller and cage assemblies

F_w 32 – 100 mm



Principal dimensions			Basic load ratings		Fatigue load limit	Speed ratings		Mass	Designation	Associated radial shaft seals ¹⁾	
F_w	E_w	U	dynamic	static		Reference speed	Limiting speed			Single lip	Double lip
mm			kN		kN	r/min		g	–	–	
32	37	13	14,7	25,5	3	13 000	14 000	18	K 32x37x13	–	–
	37	17	19	35,5	4,25	13 000	14 000	19	K 32x37x17	–	–
	38	20	25,1	45	5,6	12 000	14 000	30	K 32x38x20	–	–
	40	25	35,8	58,5	7,2	12 000	14 000	49	K 32x40x25	–	–
35	40	13	15,4	28	3,25	12 000	13 000	19	K 35x40x13	–	–
	40	17	19,8	39	4,65	12 000	13 000	21	K 35x40x17	–	–
	40	27	23,8	49	6	12 000	13 000	39	K 35x40x27 TN	–	–
	42	16	23,3	37,5	4,5	11 000	13 000	34	K 35x42x16	G 35x42x4	SD 35x42x4
	42	18	26,4	44	5,3	11 000	13 000	34	K 35x42x18	G 35x42x4	SD 35x42x4
	45	20	35,2	50	6,2	11 000	12 000	56	K 35x45x20	G 35x45x4	SD 35x45x4
37	42	17	21,6	43	5,2	11 000	13 000	22	K 37x42x17	–	–
38	43	17	19,8	39	4,65	11 000	12 000	29	K 38x43x17	–	–
	46	32	52,3	100	12,5	10 000	12 000	76	K 38x46x32	–	–
40	45	17	20,5	41,5	5	10 000	12 000	31	K 40x45x17	–	–
	45	27	31,4	73,5	9	10 000	12 000	46	K 40x45x27	–	–
	48	20	34,7	58,5	7,35	10 000	11 000	49	► K 40x48x20	–	–
42	47	17	20,9	43	5,2	10 000	11 000	32	K 42x47x17	–	–
	50	20	33,6	57	7,1	9 500	11 000	53	K 42x50x20	–	–
43	48	17	20,9	43	5,2	9 500	11 000	30	K 43x48x17	–	–
45	50	17	21,6	46,5	5,6	9 000	10 000	34	K 45x50x17	–	–
	50	27	33	81,5	10	9 000	10 000	52	K 45x50x27	–	–
	53	28	49,5	98	12,2	9 000	10 000	81	K 45x53x28	–	–
47	52	17	22,4	49	6	9 000	10 000	35	K 47x52x17	–	–
50	55	20	25,5	60	7,2	8 500	9 500	43	► K 50x55x20	–	–
	55	30	37,4	98	12	8 500	9 500	65	K 50x55x30	–	–
	57	18	31,9	64	7,8	8 000	9 000	47	K 50x57x18	–	–
	58	25	41,8	81,5	10,2	8 000	9 000	90	K 50x58x25	G 50x58x4	SD 50x58x4
55	60	20	27	67	8,15	7 500	8 500	40	K 55x60x20	–	–
	60	30	39,6	108	13,4	7 500	8 500	71	K 55x60x30	–	–
	62	18	34,1	71	8,5	7 500	8 500	52	K 55x62x18	–	–
	63	32	59,4	129	16,3	7 500	8 500	102	K 55x63x32	G 55x63x5	–

► Popular item

¹⁾ For additional information → skf.com/seals

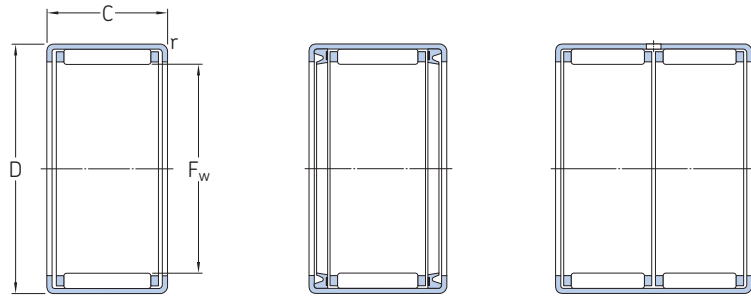
Principal dimensions			Basic load ratings		Fatigue load limit P _u	Speed ratings		Mass	Designation	Associated radial shaft seals ¹⁾	
F _w	E _w	U	dynamic C	static C ₀		Reference speed	Limiting speed			Single lip	Double lip
mm			kN		kN	r/min		g	–	–	–
60	65	20	28,1	72	8,8	7 000	8 000	52	K 60x65x20	–	–
	68	25	51,2	112	14	6 700	7 500	89		K 60x68x25	–
65	73	30	53,9	125	15,6	6 300	7 000	141	▶ K 65x73x30	–	–
70	76	20	34,1	86,5	10,6	6 000	6 700	71	K 70x76x20	–	–
	78	30	57,2	137	17	6 000	6 700	148		K 70x78x30	G 70x78x5
75	83	23	47,3	110	13,7	5 300	6 300	124	K 75x83x23	–	–
80	88	30	68,2	176	22	5 000	6 000	138	K 80x88x30	–	–
85	92	20	42,9	108	13,2	4 800	5 600	102	K 85x92x20	–	–
90	97	20	42,9	114	13,7	4 500	5 300	109	K 90x97x20	–	–
	98	30	64,4	173	21,6	4 500	5 300	172		K 90x98x30	–
95	103	30	66	180	22,8	4 300	5 000	165	K 95x103x30	–	–
100	108	27	55	143	17,6	4 000	4 800	185	K 100x108x27	–	–

▶ Popular item

¹⁾ For additional information → skf.com/seals

7.2 Drawn cup needle roller bearings

F_w 3–17 mm



HK

HK ...2RS

HK (double row)

Principal dimensions			Basic load ratings		Fatigue load limit	Speed ratings		Mass	Designation
F_w	D	C	C	C_0	P_u	Reference speed	Limiting speed		
mm			kN		kN	r/min		g	–
3	6,5	6	1,23	0,88	0,088	24 000	26 000	1	▶ HK 0306 TN
4	8	8	1,76	1,37	0,14	22 000	26 000	2	▶ HK 0408
5	9	9	2,38	2,08	0,22	22 000	24 000	2	▶ HK 0509
6	10	8	2,01	1,73	0,18	20 000	22 000	2,1	▶ HK 0608
	10	9	2,81	2,7	0,285	20 000	22 000	2,5	HK 0609
7	11	9	3,03	3,05	0,325	20 000	22 000	2,6	HK 0709
8	12	8	2,7	2,75	0,285	19 000	22 000	2,7	▶ HK 0808
	12	10	3,69	4,05	0,44	19 000	22 000	3	▶ HK 0810
	12	12	2,7	2,75	0,285	–	13 000	3,3	▶ HK 0812.2RS
9	13	8	3,52	3,9	0,415	18 000	20 000	3	▶ HK 0908
	13	10	4,13	4,8	0,53	18 000	20 000	4	▶ HK 0910
	13	12	5,12	6,4	0,72	18 000	20 000	4,6	HK 0912
10	14	10	4,29	5,3	0,57	18 000	20 000	4,1	HK 1010
	14	12	5,39	6,95	0,78	18 000	20 000	4,8	▶ HK 1012
	14	14	4,29	5,3	0,57	–	12 000	4,6	▶ HK 1014.2RS
	14	15	6,6	9	1,02	18 000	20 000	6	▶ HK 1015
12	16	10	4,84	6,4	0,71	16 000	18 000	4,6	▶ HK 1210
	18	12	6,27	7,35	0,85	16 000	18 000	9,5	▶ HK 1212
	18	16	6,27	7,35	0,85	–	10 000	11	▶ HK 1216.2RS
13	19	12	6,6	8	0,915	16 000	17 000	10,5	▶ HK 1312
14	20	12	6,82	8,65	0,98	15 000	17 000	10,5	▶ HK 1412
15	21	12	7,65	9,5	1,08	15 000	16 000	11	▶ HK 1512
	21	16	10,1	14,6	1,7	15 000	16 000	15	▶ HK 1516
	21	22	13	20	2,28	15 000	16 000	20	▶ HK 1522 ¹⁾
16	22	12	7,37	9,8	1,12	14 000	16 000	12	▶ HK 1612
	22	16	10,5	15,6	1,8	14 000	16 000	16	▶ HK 1616
	22	20	10,5	15,6	1,8	–	9 000	18	HK 1620.2RS
	22	22	12,8	19,6	2,24	14 000	16 000	24	▶ HK 1622 ¹⁾
17	23	12	7,65	10,6	1,2	14 000	15 000	13	▶ HK 1712

▶ Popular item

¹⁾ Double row, outer ring with a lubrication hole.

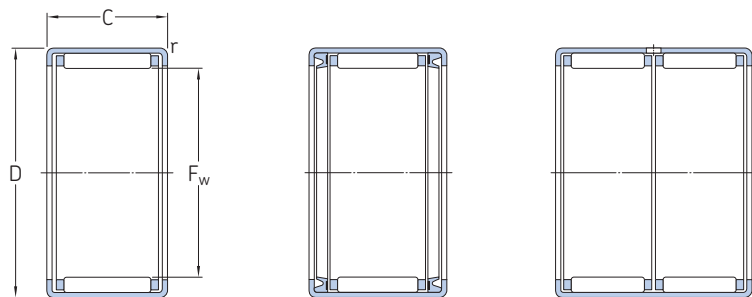
Dimensions		Associated inner rings ¹⁾		Associated radial shaft seals ²⁾	
F _w	r min.	IR series	LR series	Single lip	Double lip
mm		–		–	
3	0,3	–	–	–	–
4	0,3	–	–	G 4x8x2 S	–
5	0,4	–	–	G 5x9x2 S	–
6	0,4	–	–	G 6x10x2 S	–
	0,4	–	–	G 6x10x2 S	–
7	0,4	–	–	G 7x11x2 S	–
8	0,4	–	–	G 8x12x3	–
	0,4	IR 5x8x12	–	G 8x12x3	–
	0,4	–	–	–	–
9	0,4	–	–	G 9x13x3	–
	0,4	–	–	G 9x13x3	–
	0,4	IR 6x9x12	–	G 9x13x3	–
10	0,4	IR 7x10x10.5	LR 7x10x10.5	G 10x14x3	–
	0,4	IR 7x10x12	–	G 10x14x3	–
	0,4	–	–	–	–
	0,4	IR 7x10x16	–	G 10x14x3	–
12	0,4	IR 8x12x10.5	LR 8x12x10.5	G 12x16x3	–
	0,8	IR 8x12x12.5	LR 8x12x12.5	G 12x18x3	SD 12x18x3
	0,8	–	–	–	–
13	0,8	IR 10x13x12.5	LR 10x13x12.5	G 13x19x3	–
14	0,8	IR 10x14x13	–	G 14x20x3	SD 14x20x3
15	0,8	IR 12x15x12.5	LR 12x15x12.5	G 15x21x3	SD 15x21x3
	0,8	IR 12x15x16.5	LR 12x15x16.5	G 15x21x3	SD 15x21x3
	0,8	IR 12x15x22.5	LR 12x15x22.5	G 15x21x3	SD 15x21x3
16	0,8	IR 12x16x13	–	G 16x22x3	SD 16x22x3
	0,8	IR 12x16x16	–	G 16x22x3	SD 16x22x3
	0,8	–	–	–	–
	0,8	IR 12x16x22	–	G 16x22x3	SD 16x22x3
17	0,8	–	–	G 17x23x3	SD 17x23x3

¹⁾ For additional information → *Needle roller bearing inner rings*, page 593

²⁾ For additional information → skf.com/seals

7.2 Drawn cup needle roller bearings

F_w 18 – 30 mm



HK

HK ...2RS

HK (double row)

F_w	Principal dimensions		Basic load ratings		Fatigue load limit P_u	Speed ratings		Mass	Designation
	D	C	dynamic C	static C_0		Reference speed	Limiting speed		
mm			kN		kN	r/min		g	–
18	24	12	7,92	11,2	1,27	13 000	15 000	13	▶ HK 1812
	24	16	7,92	11,2	1,27	–	8 500	15	▶ HK 1816.2RS
	24	16	11,2	17,6	2,04	13 000	15 000	18	▶ HK 1816
20	26	10	6,16	8,5	0,93	12 000	14 000	12	▶ HK 2010
	26	12	8,42	12,5	1,4	12 000	14 000	14	▶ HK 2012
	26	16	8,42	12,5	1,4	–	8 000	18	▶ HK 2016.2RS
22	26	16	12,3	20,4	2,36	12 000	14 000	19	▶ HK 2016
	26	20	12,3	20,4	2,36	–	8 000	23	▶ HK 2020.2RS
	26	20	15,1	26,5	3,15	12 000	14 000	24	▶ HK 2020
	26	30	20,9	40,5	4,75	12 000	14 000	35	▶ HK 2030 ¹⁾
25	28	10	7,21	10,6	1,2	11 000	12 000	13	▶ HK 2210
	28	12	8,8	13,7	1,56	11 000	12 000	15	▶ HK 2212
	28	16	8,8	13,7	1,56	–	7 500	18	▶ HK 2216.2RS
	28	16	13	22,4	2,6	11 000	12 000	21	▶ HK 2216
	28	20	13	22,4	2,6	–	7 500	23	▶ HK 2220.2RS
	28	20	15,7	29	3,45	11 000	12 000	26	▶ HK 2220
28	32	12	10,5	15,3	1,76	9 500	11 000	20	▶ HK 2512
	32	16	10,5	15,3	1,76	–	6 700	27	▶ HK 2516.2RS
	32	16	15,1	24	2,85	9 500	11 000	25	▶ HK 2516
	32	20	15,1	24	2,85	–	6 700	31	▶ HK 2520.2RS
	32	20	19	32,5	4	9 500	11 000	33	▶ HK 2520
	32	26	24,2	45	5,5	9 500	11 000	44	▶ HK 2526
30	32	30	24,2	45	5,5	–	6 700	47	▶ HK 2530.2RS
	32	38	33	65,5	8	9 500	11 000	64	▶ HK 2538 ¹⁾
	35	16	15,7	26,5	3,15	9 000	9 500	26,5	▶ HK 2816
30	35	20	15,7	26,5	3,15	–	6 300	34	▶ HK 2820.2RS
	35	20	20,1	36,5	4,4	9 000	9 500	36	▶ HK 2820
	37	12	11,7	18,3	2,12	8 000	9 000	23	▶ HK 3012
30	37	16	11,7	18,3	2,12	–	5 600	31	▶ HK 3016.2RS
	37	16	16,5	29	3,4	8 000	9 000	31	▶ HK 3016
	37	20	20,9	40	4,75	8 000	9 000	38	▶ HK 3020
	37	26	27	54	6,55	8 000	9 000	51	▶ HK 3026
	37	38	35,8	80	9,5	8 000	9 000	76	▶ HK 3038 ¹⁾

▶ Popular item

¹⁾ Double row, outer ring with a lubrication hole.

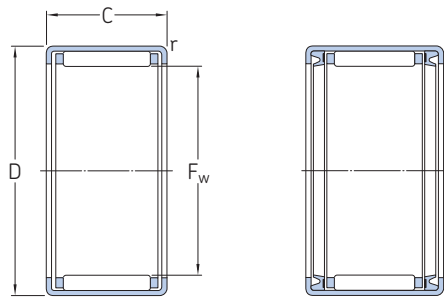
Dimensions		Associated inner rings ¹⁾		Associated radial shaft seals ²⁾	
F_w	r min.	IR series	LR series	Single lip	Double lip
mm		-		-	
18	0,8	-	LR 15x18x12.5	G 18x24x3	SD 18x24x3
	0,8	IR 15x18x16.5	LR 15x18x16.5	-	-
	0,8	IR 15x18x16.5	LR 15x18x16.5	G 18x24x3	SD 18x24x3
20	0,8	-	-	G 20x26x4	SD 20x26x4
	0,8	IR 15x20x13	-	G 20x26x4	SD 20x26x4
	0,8	IR 17x20x16.5	LR 17x20x16.5	-	-
	0,8	IR 17x20x16.5	LR 17x20x16.5	G 20x26x4	SD 20x26x4
	0,8	IR 17x20x20.5	LR 17x20x20.5	-	-
	0,8	IR 17x20x20.5	LR 17x20x20.5	G 20x26x4	SD 20x26x4
22	0,8	IR 17x20x30.5	LR 17x20x30.5	G 20x26x4	SD 20x26x4
	0,8	-	-	G 22x28x4	SD 22x28x4
	0,8	IR 17x22x13	-	G 22x28x4	SD 22x28x4
	0,8	IR 17x22x23	-	-	-
	0,8	IR 17x22x23	-	G 22x28x4	SD 22x28x4
	0,8	IR 17x22x23	-	G 22x28x4	SD 22x28x4
25	0,8	-	LR 20x25x12.5	G 25x32x4	-
	0,8	IR 20x25x17	LR 20x25x16.5	-	-
	0,8	IR 20x25x17	LR 20x25x16.5	G 25x32x4	-
	0,8	IR 20x25x20.5	LR 20x25x20.5	-	-
	0,8	IR 20x25x20.5	LR 20x25x20.5	G 25x32x4	-
	0,8	IR 20x25x26.5	LR 20x25x26.5	G 25x32x4	-
	0,8	IR 20x25x30	-	-	-
	0,8	IR 20x25x38.5	LR 20x25x38.5	G 25x32x4	-
28	0,8	IR 22x28x17	-	G 28x35x4	SD 28x35x4
	0,8	IR 22x28x20.5	LR 22x28x20.5	-	-
	0,8	IR 22x28x20.5	LR 22x28x20.5	G 28x35x4	SD 28x35x4
30	0,8	-	LR 25x30x12.5	G 30x37x4	SD 30x37x4
	0,8	IR 25x30x17	LR 25x30x16.5	-	-
	0,8	IR 25x30x17	LR 25x30x16.5	G 30x37x4	SD 30x37x4
	0,8	IR 25x30x20.5	LR 25x30x20.5	G 30x37x4	SD 30x37x4
	0,8	IR 25x30x26.5	LR 25x30x26.5	G 30x37x4	SD 30x37x4
	0,8	IR 25x30x38.5	LR 25x30x38.5	G 30x37x4	SD 30x37x4

¹⁾ For additional information → Needle roller bearing inner rings, page 593

²⁾ For additional information → skf.com/seals

7.2 Drawn cup needle roller bearings

F_w 35 – 60 mm



HK

HK...2RS

F_w	Principal dimensions		Basic load ratings		Fatigue load limit P_u	Speed ratings		Mass	Designation
	D	C	dynamic	static		Reference speed	Limiting speed		
mm			kN		kN	r/min		g	–
35	42	12	12,5	21,6	2,45	7 000	8 000	27	▶ HK 3512 ▶ HK 3516 HK 3520.2RS
	42	16	17,9	34	4	7 000	8 000	36	
	42	20	17,9	34	4	–	5 000	41	
	42	20	22,9	46,5	5,6	7 000	8 000	44	▶ HK 3520
40	47	12	13,4	24,5	2,8	6 300	7 000	30	▶ HK 4012 HK 4016.2RS ▶ HK 4016
	47	16	14,5	27,5	3,15	–	4 500	37	
	47	16	19	39	4,55	6 300	7 000	39	
	47	20	19	39	4,55	–	4 500	48	HK 4020.2RS
	47	20	24,2	53	6,4	6 300	7 000	54	▶ HK 4020
45	52	12	14,2	27,5	3,2	5 600	6 300	33	HK 4512 ▶ HK 4516 HK 4520.2RS
	52	16	20,5	43	5,1	5 600	6 300	47	
	52	20	20,5	43	5,1	–	4 000	54	
	52	20	26	60	7,2	5 600	6 300	56	▶ HK 4520
50	58	20	29,2	63	7,8	5 000	5 600	70	▶ HK 5020 HK 5024.2RS ▶ HK 5025
	58	24	29,2	63	7,8	–	3 600	81	
	58	25	36,9	85	10,6	5 000	5 600	85	
55	63	20	30,3	67	8,3	4 500	5 000	74	▶ HK 5520 HK 5528
	63	28	41,8	104	12,9	4 500	5 000	105	
60	68	12	17,6	32	3,8	4 300	4 800	49	HK 6012 HK 6020 HK 6032
	68	20	31,9	75	9,3	4 300	4 800	81	
	68	32	51,2	137	17	4 300	4 800	136	

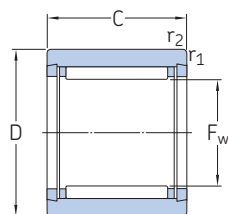
Dimensions		Associated inner rings ¹⁾		Associated radial shaft seals ²⁾	
		IR series	LR series	Single lip	Double lip
F _w	r min.				
mm					
35	0,8	–	LR 30x35x12.5	G 35x42x4	SD 35x42x4
	0,8	IR 30x35x17	LR 30x35x16.5	G 35x42x4	SD 35x42x4
	0,8	IR 30x35x20.5	LR 30x35x20.5	–	–
	0,8	IR 30x35x20.5	LR 30x35x20.5	G 35x42x4	SD 35x42x4
40	0,8	–	LR 35x40x12.5	G 40x47x4	SD 40x47x4
	0,8	IR 35x40x20	LR 35x40x16.5	–	–
	0,8	IR 35x40x20	LR 35x40x16.5	G 40x47x4	SD 40x47x4
	0,8	IR 35x40x20.5	LR 35x40x20.5	–	–
	0,8	IR 35x40x20.5	LR 35x40x20.5	G 40x47x4	SD 40x47x4
45	0,8	–	–	G 45x52x4	SD 45x52x4
	0,8	IR 40x45x17	LR 40x45x16.5	G 45x52x4	SD 45x52x4
	0,8	IR 40x45x20.5	LR 40x45x20.5	–	–
	0,8	IR 40x45x20.5	–	G 45x52x4	SD 45x52x4
50	0,8	–	LR 45x50x20.5	G 50x58x4	SD 50x58x4
	0,8	IR 45x50x25.5	LR 45x50x25.5	–	–
	0,8	IR 45x50x25.5	LR 45x50x25.5	G 50x58x4	SD 50x58x4
55	0,8	–	LR 50x55x20.5	G 55x63x5	–
	0,8	–	–	G 55x63x5	–
60	0,8	–	–	–	–
	0,8	–	–	–	–
	0,8	–	–	–	–

¹⁾ For additional information → *Needle roller bearing inner rings*, page 593

²⁾ For additional information → skf.com/seals

7.3 Needle roller bearings with machined rings with flanges, without an inner ring

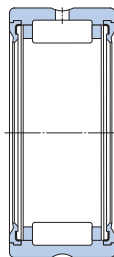
F_w 5–19 mm



NK ($F_w \leq 10$ mm)



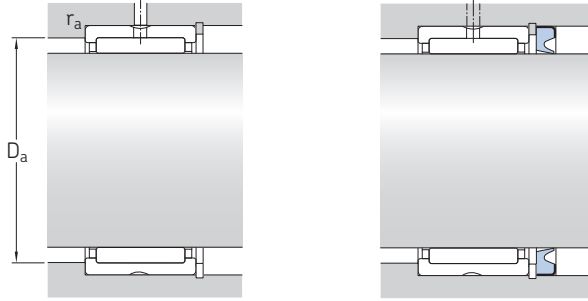
NK ($F_w \geq 12$ mm)
RNA 49
RNA 69



RNA 49 ...2RS

Principal dimensions			Basic load ratings		Fatigue load limit	Speed ratings		Mass	Designation
F_w	D	C	dynamic	static		Reference speed	Limiting speed		
mm			C	C_0	P_u	r/min		kg	–
5	10	10	2,29	2	0,212	36 000	40 000	0,0031	▶ NK 5/10 TN ▶ NK 5/12 TN
	10	12	2,92	2,7	0,29	36 000	40 000	0,0037	
6	12	10	2,55	2,36	0,25	34 000	38 000	0,0047	▶ NK 6/10 TN ▶ NK 6/12 TN
	12	12	3,3	3,2	0,345	34 000	38 000	0,0057	
7	14	10	2,81	2,75	0,29	32 000	36 000	0,0069	NK 7/10 TN NK 7/12 TN
	14	12	3,58	3,75	0,415	32 000	36 000	0,0082	
8	15	12	3,8	4,25	0,465	32 000	36 000	0,0087	▶ NK 8/12 TN ▶ NK 8/16 TN
	15	16	5,01	5,85	0,67	32 000	36 000	0,012	
9	16	12	4,4	5,2	0,57	30 000	34 000	0,01	▶ NK 9/12 TN NK 9/16 TN
	16	16	5,72	7,2	0,815	30 000	34 000	0,013	
10	17	12	4,57	5,7	0,63	28 000	32 000	0,01	▶ NK 10/12 TN ▶ NK 10/16 TN
	17	16	5,94	8	0,9	28 000	32 000	0,013	
12	19	12	6,71	8,15	0,965	26 000	30 000	0,012	▶ NK 12/12 ▶ NK 12/16
	19	16	9,13	12	1,43	26 000	30 000	0,016	
14	22	13	7,37	8,15	0,965	–	12 000	0,016	▶ RNA 4900.2RS ▶ RNA 4900 ▶ NK 14/16 ▶ NK 14/20
	22	13	8,8	10,4	1,22	24 000	28 000	0,017	
	22	16	10,2	12,5	1,5	24 000	28 000	0,021	
	22	20	12,8	16,6	2	24 000	28 000	0,026	
15	23	16	11	14	1,66	24 000	26 000	0,022	▶ NK 15/16 ▶ NK 15/20
	23	20	13,8	18,3	2,2	24 000	26 000	0,027	
16	24	13	8,09	9,65	1,14	–	11 000	0,018	▶ RNA 4901.2RS ▶ RNA 4901 ▶ NK 16/16 ▶ NK 16/20 ▶ RNA 6901
	24	13	9,9	12,2	1,46	22 000	26 000	0,017	
	24	16	11,7	15,3	1,8	22 000	26 000	0,022	
	24	20	14,5	20	2,4	22 000	26 000	0,028	
17	24	22	16,1	23,2	2,75	22 000	26 000	0,031	▶ NK 16/20 ▶ RNA 6901
	25	16	12,1	16,6	1,96	22 000	26 000	0,024	
18	25	20	15,1	22	2,65	22 000	26 000	0,03	▶ NK 17/16 ▶ NK 17/20
	26	16	12,8	17,6	2,12	22 000	24 000	0,025	
19	26	20	16,1	23,6	2,85	22 000	24 000	0,031	▶ NK 18/16 ▶ NK 18/20
	27	16	13,4	19	2,28	20 000	24 000	0,026	
19	27	20	16,5	25,5	3,05	20 000	24 000	0,032	▶ NK 19/16 NK 19/20

▶ Popular item

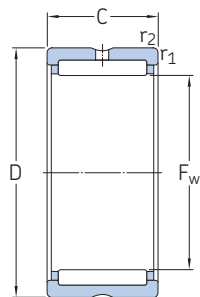


Dimensions		Abutment and fillet dimensions		Associated radial shaft seals ¹⁾		Spring loaded lip
F _w	r _{1,2} min.	D _a max.	r _a max.	Single lip	Double lip	
mm		mm		–		
5	0,15	8,8	0,1	G 5x10x2 S	–	–
	0,15	8,8	0,1	G 5x10x2 S	–	–
6	0,15	10,8	0,1	G 6x12x2 S	–	–
	0,15	10,8	0,1	G 6x12x2 S	–	–
7	0,3	12	0,3	G 7x14x2	–	–
	0,3	12	0,3	G 7x14x2	–	–
8	0,3	13	0,3	G 8x15x3	SD 8x15x3	–
	0,3	13	0,3	G 8x15x3	SD 8x15x3	–
9	0,3	14	0,3	G 9x16x3	–	–
	0,3	14	0,3	G 9x16x3	–	–
10	0,3	15	0,3	G 10x17x3	SD 10x17x3	–
	0,3	15	0,3	G 10x17x3	SD 10x17x3	–
12	0,3	17	0,3	G 12x19x3	SD 12x19x3	–
	0,3	17	0,3	G 12x19x3	SD 12x19x3	–
14	0,3	20	0,3	–	–	–
	0,3	20	0,3	G 14x22x3	SD 14x22x3	–
	0,3	20	0,3	G 14x22x3	SD 14x22x3	–
	0,3	20	0,3	G 14x22x3	SD 14x22x3	–
15	0,3	21	0,3	G 15x23x3	SD 15x23x3	–
	0,3	21	0,3	G 15x23x3	SD 15x23x3	–
16	0,3	22	0,3	–	–	–
	0,3	22	0,3	G 16x24x3	SD 16x24x3	–
	0,3	22	0,3	G 16x24x3	SD 16x24x3	–
	0,3	22	0,3	G 16x24x3	SD 16x24x3	–
17	0,3	23	0,3	G 17x25x3	SD 17x25x3	–
	0,3	23	0,3	G 17x25x3	SD 17x25x3	–
18	0,3	24	0,3	G 18x26x4	SD 18x26x4	–
	0,3	24	0,3	G 18x26x4	SD 18x26x4	–
19	0,3	25	0,3	G 19x27x4	SD 19x27x4	–
	0,3	25	0,3	G 19x27x4	SD 19x27x4	–

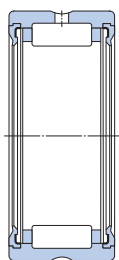
¹⁾ For additional information → skf.com/seals

7.3 Needle roller bearings with machined rings with flanges, without an inner ring

F_w 20 – 29 mm



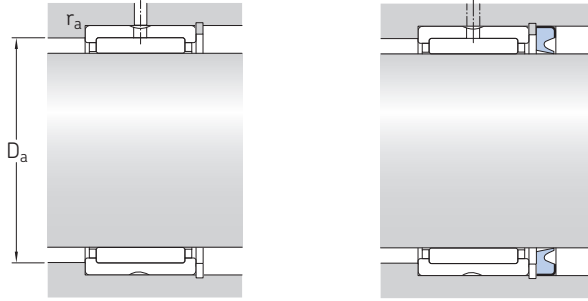
NK(S)
RNA 49
RNA 69



RNA 49 ...2RS

Principal dimensions			Basic load ratings		Fatigue load limit	Speed ratings		Mass	Designation
F_w	D	C	dynamic	static		Reference speed	Limiting speed		
mm			C	C_0	P_u	r/min		kg	–
20	28	13	9,13	12	1,43	–	9 500	0,022	▶ RNA 4902.2RS ▶ RNA 4902 ▶ NK 20/16
	28	13	11,2	15,3	1,83	19 000	22 000	0,022	
	28	16	13,2	19,3	2,28	19 000	22 000	0,027	
	28	20	16,5	25,5	3,05	19 000	22 000	0,034	▶ NK 20/20 ▶ RNA 6902 ▶ NKS 20
	28	23	17,2	27	3,35	19 000	22 000	0,04	
	32	20	23,3	27	3,25	18 000	20 000	0,049	
21	29	16	13,8	20,4	2,45	19 000	22 000	0,028	NK 21/16 NK 21/20
	29	20	17,2	27	3,35	19 000	22 000	0,035	
22	30	13	9,52	12,9	1,53	–	9 000	0,023	RNA 4903.2RS ▶ RNA 4903 ▶ NK 22/16 ▶ NK 22/20 ▶ RNA 6903
	30	13	11,4	16,3	1,96	18 000	20 000	0,022	
	30	16	14,2	21,6	2,6	18 000	20 000	0,03	
	30	20	17,9	29	3,55	18 000	20 000	0,037	
30	23	18,7	30,5	3,75	18 000	20 000	0,042		
24	32	16	15,4	24,5	2,9	16 000	19 000	0,032	▶ NK 24/16 ▶ NK 24/20 NKS 24
	32	20	19	32,5	4	16 000	19 000	0,04	
	37	20	26	33,5	4	15 000	17 000	0,066	
25	33	16	15,1	24,5	2,9	16 000	18 000	0,033	▶ NK 25/16 ▶ NK 25/20 ▶ RNA 4904.2RS ▶ RNA 4904 ▶ RNA 6904 ▶ NKS 25
	33	20	19	32,5	4	16 000	18 000	0,042	
	37	17	19,4	22,4	2,65	–	7 500	0,056	
	37	17	21,6	28	3,35	15 000	17 000	0,052	
	37	30	35,2	53	6,55	15 000	17 000	0,1	
	38	20	27,5	36	4,4	15 000	17 000	0,068	
26	34	16	15,7	26	3,1	15 000	17 000	0,034	▶ NK 26/16 ▶ NK 26/20
	34	20	19,4	34,5	4,25	15 000	17 000	0,042	
28	37	20	22	36,5	4,55	14 000	16 000	0,052	▶ NK 28/20 ▶ NK 28/30 RNA 49/22 RNA 69/22 NKS 28
	37	30	31,9	60	7,5	14 000	16 000	0,082	
	39	17	23,3	32	3,9	14 000	15 000	0,05	
	39	30	36,9	57	7,2	14 000	15 000	0,098	
	42	20	28,6	39	4,75	13 000	15 000	0,084	
	39	30	36,9	57	7,2	14 000	15 000	0,098	
29	38	20	24,6	42,5	5,2	14 000	15 000	0,05	NK 29/20 TN NK 29/30
	38	30	31,9	60	7,5	14 000	15 000	0,084	

▶ Popular item

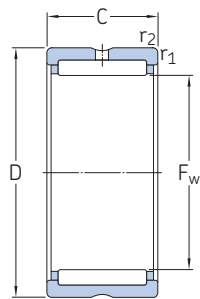


Dimensions		Abutment and fillet dimensions		Associated radial shaft seals ¹⁾		Spring loaded lip
F _w	r _{1,2} min.	D _a max.	r _a max.	Single lip	Double lip	
mm		mm		-		
20	0,3	26	0,3	-	-	-
	0,3	26	0,3	G 20x28x4	SD 20x28x4	-
	0,3	26	0,3	G 20x28x4	SD 20x28x4	-
	0,3	26	0,3	G 20x28x4	SD 20x28x4	-
	0,3	26	0,3	G 20x28x4	SD 20x28x4	-
	0,6	28	0,6	-	-	20x32x7 HMS5 RG
21	0,3	27	0,3	G 21x29x4	-	-
	0,3	27	0,3	G 21x29x4	-	-
22	0,3	28	0,3	-	-	-
	0,3	28	0,3	G 22x30x4	SD 22x30x4	-
	0,3	28	0,3	G 22x30x4	SD 22x30x4	-
	0,3	28	0,3	G 22x30x4	SD 22x30x4	-
	0,3	28	0,3	G 22x30x4	SD 22x30x4	-
	0,3	28	0,3	G 22x30x4	SD 22x30x4	-
24	0,3	30	0,3	G 24x32x4	SD 24x32x4	-
	0,3	30	0,3	G 24x32x4	SD 24x32x4	-
	0,6	33	0,6	-	-	24x37x7 HMS5 RG
25	0,3	31	0,3	G 25x33x4	SD 25x33x4	-
	0,3	31	0,3	G 25x33x4	SD 25x33x4	-
	0,3	35	0,3	-	-	-
	0,3	35	0,3	-	-	25x37x5 HMS5 RG
	0,3	35	0,3	-	-	25x37x5 HMS5 RG
	0,6	34	0,6	-	-	25x38x7 HMS5 RG
26	0,3	32	0,3	G 26x34x4	SD 26x34x4	-
	0,3	32	0,3	G 26x34x4	SD 26x34x4	-
28	0,3	35	0,3	G 28x37x4	-	-
	0,3	35	0,3	G 28x37x4	-	-
	0,3	37	0,3	-	-	-
	0,3	37	0,3	-	-	-
	0,3	37	0,3	-	-	-
	0,6	38	0,6	-	-	28x42x7 HMS5 RG
29	0,3	36	0,3	G 29x38x4	-	-
	0,3	36	0,3	G 29x38x4	-	-

¹⁾ For additional information → skf.com/seals

7.3 Needle roller bearings with machined rings with flanges, without an inner ring

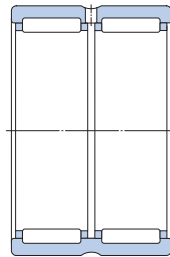
F_w 30 – 43 mm



NK(S)
RNA 49
RNA 69 ($F_w \leq 38$ mm)



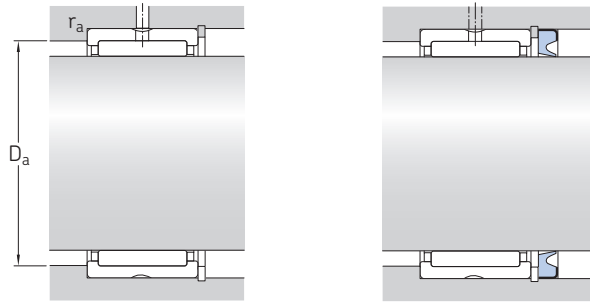
RNA 49 ...2RS



RNA 69 ($F_w \geq 40$ mm)

Principal dimensions			Basic load ratings		Fatigue load limit	Speed ratings		Mass	Designation
F_w	D	C	C	C_0	P_u	Reference speed	Limiting speed		
mm			kN		kN	r/min		kg	–
30	40	20	25,1	44	5,5	13 000	15 000	0,061	▶ NK 30/20 TN ▶ NK 30/30 TN ▶ RNA 4905.2RS
	40	30	36,9	72	9	13 000	15 000	0,092	
	42	17	21,6	27,5	3,25	–	6 300	0,06	
	42	17	24,2	34,5	4,15	13 000	15 000	0,061	▶ RNA 4905 ▶ RNA 6905 ▶ NKS 30
	42	30	38	62	7,65	13 000	15 000	0,11	
	45	22	31,9	43	5,3	12 000	14 000	0,1	
32	42	20	26,4	48	6	12 000	14 000	0,064	▶ NK 32/20 TN NK 32/30 RNA 49/28
	42	30	34,1	65,5	8,3	12 000	14 000	0,1	
	45	17	25,1	36,5	4,4	12 000	14 000	0,073	
	45	30	39,6	65,5	8,3	12 000	14 000	0,14	▶ RNA 69/28 NKS 32
	47	22	34,1	46,5	5,7	12 000	13 000	0,11	
	47	22	34,1	46,5	5,7	12 000	13 000	0,11	
35	45	20	27,5	52	6,55	11 000	13 000	0,069	▶ NK 35/20 TN ▶ NK 35/30 TN ▶ RNA 4906.2RS
	45	30	40,2	85	10,6	11 000	13 000	0,11	
	47	17	23,3	32	3,8	–	5 600	0,069	
	47	17	25,5	39	4,65	11 000	13 000	0,069	▶ RNA 4906 ▶ RNA 6906 ▶ NKS 35
	47	30	42,9	75	9,3	11 000	13 000	0,13	
	50	22	35,2	50	6,2	11 000	12 000	0,12	
37	47	20	25,1	46,5	5,85	11 000	12 000	0,077	NK 37/20 NK 37/30 NKS 37
	47	30	36,9	76,5	9,5	11 000	12 000	0,11	
	52	22	36,9	54	6,55	10 000	12 000	0,12	
38	48	20	25,5	49	6,1	11 000	12 000	0,079	▶ NK 38/20 NK 38/30
	48	30	37,4	80	10	11 000	12 000	0,12	
40	50	20	29,7	60	7,5	10 000	11 000	0,078	▶ NK 40/20 TN ▶ NK 40/30 ▶ RNA 49/32
	50	30	38	83	10,4	10 000	11 000	0,13	
	52	20	30,8	51	6,3	10 000	11 000	0,089	
	52	36	47,3	90	10,8	10 000	11 000	0,16	▶ RNA 69/32 ▶ NKS 40
	55	22	38	57	7,1	9 500	11 000	0,13	
	55	22	38	57	7,1	9 500	11 000	0,13	
42	52	20	27	53	6,55	9 500	11 000	0,086	▶ NK 42/20 NK 42/30 RNA 4907.2RS
	52	30	39,1	86,5	10,8	9 500	11 000	0,13	
	55	20	27	43	5,3	–	4 800	0,11	
	55	20	31,9	54	6,7	9 500	11 000	0,11	RNA 4907 RNA 6907
	55	36	48,4	93	11,4	9 500	11 000	0,19	
	55	36	48,4	93	11,4	9 500	11 000	0,19	
43	53	20	27,5	55	6,8	9 500	11 000	0,086	NK 43/20 NK 43/30 NKS 43
	53	30	40,2	90	11,2	9 500	11 000	0,13	
	58	22	39,1	61	7,5	9 000	10 000	0,14	

▶ Popular item

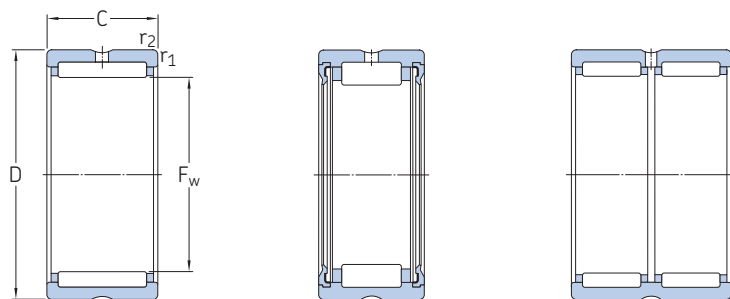


Dimensions		Abutment and fillet dimensions		Associated radial shaft seals ¹⁾		
F_w	$r_{1,2}$ min.	D_a max.	r_a max.	Single lip	Double lip	Spring loaded lip
mm		mm		-		
30	0,3	38	0,3	G 30x40x4	SD 30x40x4	-
	0,3	38	0,3	G 30x40x4	SD 30x40x4	-
	0,3	40	0,3	-	-	-
	0,3	40	0,3	-	-	30x42x6 HMS5 RG
	0,3	40	0,3	-	-	30x42x6 HMS5 RG
	0,6	41	0,6	-	-	30x45x7 HMS5 RG
32	0,3	40	0,3	G 32x42x4	SD 32x42x4	-
	0,3	40	0,3	G 32x42x4	SD 32x42x4	-
	0,3	43	0,3	G 32x45x4	-	-
	0,3	43	0,3	G 32x45x4	-	-
	0,6	43	0,6	-	-	32x47x6 HMS5 RG
	0,6	43	0,6	-	-	32x47x6 HMS5 RG
35	0,3	43	0,3	G 35x45x4	SD 35x45x4	-
	0,3	43	0,3	G 35x45x4	SD 35x45x4	-
	0,3	45	0,3	-	-	-
	0,3	45	0,3	-	-	35x47x6 HMS5 RG
	0,3	45	0,3	-	-	35x47x6 HMS5 RG
	0,6	46	0,6	-	-	35x50x7 HMS5 RG
37	0,3	45	0,3	G 37x47x4	SD 37x47x4	-
	0,3	45	0,3	G 37x47x4	SD 37x47x4	-
	0,6	48	0,6	-	-	37x52x8 HMS4 R
38	0,3	46	0,3	G 38x48x4	SD 38x48x4	-
	0,3	46	0,3	G 38x48x4	SD 38x48x4	-
40	0,3	48	0,3	G 40x50x4	SD 40x50x4	-
	0,3	48	0,3	G 40x50x4	SD 40x50x4	-
	0,6	48	0,6	G 40x52x5	SD 40x52x5	-
	0,6	48	0,6	G 40x52x5	SD 40x52x5	-
	0,6	51	0,6	-	-	40x55x7 HMS5 RG
	0,6	51	0,6	-	-	40x55x7 HMS5 RG
42	0,3	50	0,3	G 42x52x4	SD 42x52x4	-
	0,3	50	0,3	G 42x52x4	SD 42x52x4	-
	0,6	51	0,6	-	-	-
	0,6	51	0,6	-	-	42x55x7 HMS5 RG
	0,6	51	0,6	-	-	42x55x7 HMS5 RG
	0,6	51	0,6	-	-	42x55x7 HMS5 RG
43	0,3	51	0,3	G 43x53x4	-	-
	0,3	51	0,3	G 43x53x4	-	-
	0,6	53	0,6	-	-	-

¹⁾ For additional information → skf.com/seals

7.3 Needle roller bearings with machined rings with flanges, without an inner ring

F_w 45 – 70 mm



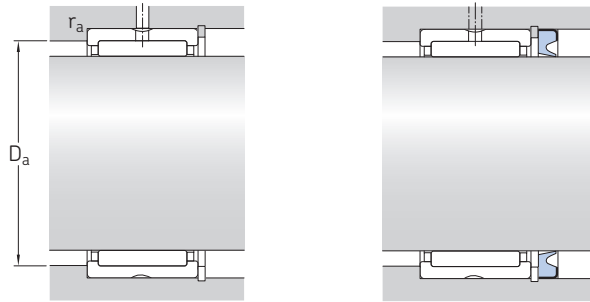
NK(S)
RNA 49

RNA 49 ...2RS

RNA 69

Principal dimensions			Basic load ratings		Fatigue load limit	Speed ratings		Mass	Designation
F_w	D	C	C	C_0	P_u	Reference speed	Limiting speed		
mm			kN		kN	r/min		kg	–
45	55	20	31,4	65,5	8,3	9 000	10 000	0,085	▶ NK 45/20 TN ▶ NK 45/30 TN ▶ NKS 45
	55	30	45,7	108	13,7	9 000	10 000	0,13	
	60	22	40,2	64	8	8 500	10 000	0,15	
47	57	20	29,2	61	7,65	8 500	10 000	0,095	▶ NK 47/20 ▶ NK 47/30
	57	30	41,8	98	12,5	8 500	10 000	0,14	
48	62	22	36,9	58,5	7,1	–	4 000	0,15	▶ RNA 4908.2RS ▶ RNA 4908 ▶ RNA 6908
	62	22	42,9	71	8,8	8 000	9 500	0,14	
	62	40	67,1	125	15,3	8 000	9 500	0,26	
50	62	25	42,9	91,5	11,2	8 000	9 000	0,15	▶ NK 50/25 TN ▶ NK 50/35 TN ▶ NKS 50
	62	35	58,3	137	17	8 000	9 000	0,21	
	65	22	42,9	72	8,8	8 000	9 000	0,16	
52	68	22	39,1	64	7,8	–	3 800	0,16	▶ RNA 4909.2RS ▶ RNA 4909 ▶ RNA 6909
	68	22	45,7	78	9,65	7 500	8 500	0,18	
	68	40	70,4	137	17	7 500	8 500	0,34	
55	68	25	40,2	88	10,8	7 500	8 500	0,18	▶ NK 55/25 ▶ NK 55/35 ▶ NKS 55
	68	35	52,3	122	15,3	7 500	8 500	0,25	
	72	22	44,6	78	9,8	7 000	8 000	0,22	
58	72	22	40,2	69,5	8,5	–	3 400	0,16	▶ RNA 4910.2RS ▶ RNA 4910 ▶ RNA 6910
	72	22	47,3	85	10,6	7 000	8 000	0,16	
	72	40	73,7	150	18,6	7 000	8 000	0,31	
60	72	25	46,8	110	13,4	6 700	7 500	0,17	▶ NK 60/25 TN ▶ NK 60/35 ▶ NKS 60
	72	35	55	134	17	6 700	7 500	0,26	
	80	28	62,7	104	13,2	6 300	7 500	0,34	
63	80	25	57,2	106	13,2	6 300	7 000	0,26	▶ RNA 4911 ▶ RNA 6911
	80	45	89,7	190	23,2	6 300	7 000	0,47	
65	78	25	44	104	12,7	6 300	7 000	0,22	▶ NK 65/25 ▶ NK 65/35 ▶ NKS 65
	78	35	58,3	146	18,3	6 300	7 000	0,31	
	85	28	66	114	14,6	6 000	6 700	0,36	
68	82	25	44	95	11,8	6 000	6 700	0,24	▶ NK 68/25 ▶ NK 68/35 ▶ RNA 4912
	82	35	60,5	146	18,3	6 000	6 700	0,34	
	85	25	60,5	114	14,3	6 000	6 700	0,28	
	85	45	93,5	204	25	6 000	6 700	0,49	▶ RNA 6912
70	85	25	44,6	98	12,2	6 000	6 700	0,26	▶ NK 70/25 ▶ NK 70/35 ▶ NKS 70
	85	35	61,6	150	19	6 000	6 700	0,37	
	90	28	68,2	120	15,3	5 600	6 300	0,38	

▶ Popular item

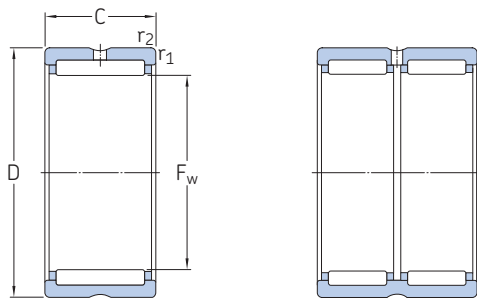


Dimensions		Abutment and fillet dimensions		Associated radial shaft seals ¹⁾		Spring loaded lip
F _w	r _{1,2} min.	D _a max.	r _a max.	Single lip	Double lip	
mm		mm		-		
45	0,3	53	0,3	G 45x55x4	SD 45x55x4	-
	0,3	53	0,3	G 45x55x4	SD 45x55x4	-
	0,6	56	0,6	-	-	45x60x7 HMS5 RG
47	0,3	55	0,3	-	-	-
	0,3	55	0,3	-	-	-
48	0,6	58	0,6	-	-	-
	0,6	58	0,6	-	-	48x62x8 HMS5 RG
	0,6	58	0,6	-	-	48x62x8 HMS5 RG
50	0,6	58	0,6	G 50x62x5	SD 50x62x5	-
	0,6	58	0,6	G 50x62x5	SD 50x62x5	-
	1	60	1	-	-	50x65x8 HMS5 RG
52	0,6	64	0,6	-	-	-
	0,6	64	0,6	-	-	52x68x8 HMS5 RG
	0,6	64	0,6	-	-	52x68x8 HMS5 RG
55	0,6	64	0,6	-	-	55x68x8 HMS5 RG
	0,6	64	0,6	-	-	55x68x8 HMS5 RG
	1	67	1	-	-	55x72x8 HMS5 RG
58	0,6	68	0,6	-	-	-
	0,6	68	0,6	-	-	58x72x8 HMS5 RG
	0,6	68	0,6	-	-	58x72x8 HMS5 RG
60	0,6	68	0,6	-	-	60x72x8 HMS5 RG
	0,6	68	0,6	-	-	60x72x8 HMS5 RG
	1,1	73,5	1	-	-	60x80x8 HMS5 RG
63	1	75	1	-	-	63x80x8 CRW1 R
	1	75	1	-	-	63x80x8 CRW1 R
65	0,6	74	0,6	-	-	-
	0,6	74	0,6	-	-	-
	1,1	78,5	1	-	-	65x85x8 HMS5 RG
68	0,6	78	0,6	-	-	-
	0,6	78	0,6	-	-	-
	1	80	1	-	-	-
70	1	80	1	-	-	68x85x8 CRW1 R
	0,6	81	0,6	-	-	70x85x8 HMS5 RG
	0,6	81	0,6	-	-	70x85x8 HMS5 RG
	1,1	83,5	1	-	-	70x90x10 HMS5 RG

¹⁾ For additional information → skf.com/seals

7.3 Needle roller bearings with machined rings with flanges, without an inner ring

F_w 72 – 105 mm

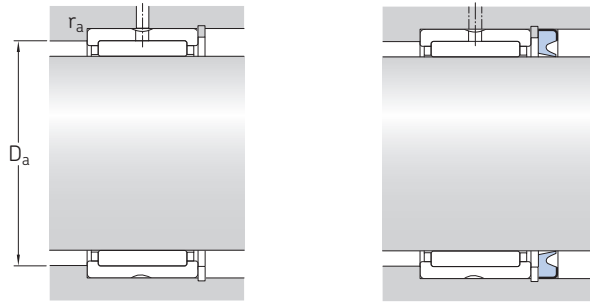


NK(S)
RNA 49

RNA 69

Principal dimensions			Basic load ratings		Fatigue load limit	Speed ratings		Mass	Designation
F_w	D	C	dynamic	static		Reference speed	Limiting speed		
mm			C	C_0	P_u	r/min		kg	–
72	90	25	61,6	120	14,6	5 600	6 300	0,31	RNA 4913
	90	45	95,2	212	26	5 600	6 300	0,58	▶ RNA 6913
73	90	25	52,8	106	13,2	5 600	6 300	0,3	NK 73/25
	90	35	73,7	163	20,4	5 600	6 300	0,43	NK 73/35
75	92	25	53,9	110	13,7	5 300	6 000	0,32	NK 75/25
	92	35	74,8	170	21,2	5 300	6 000	0,45	▶ NK 75/35
	95	28	70,4	132	16,6	5 300	6 000	0,4	NKS 75
80	95	25	56,1	127	15,6	5 000	5 600	0,3	▶ NK 80/25
	95	35	76,5	190	24	5 000	5 600	0,43	▶ NK 80/35
	100	30	84,2	163	20,8	5 000	5 600	0,46	▶ RNA 4914
	100	54	128	285	36	5 000	5 600	0,86	▶ RNA 6914
85	105	25	69,3	132	16,6	4 800	5 300	0,43	▶ NK 85/25
	105	30	84,2	170	21,6	4 800	5 300	0,49	RNA 4915
	105	35	96,8	200	26	4 800	5 300	0,6	▶ NK 85/35
	105	54	130	290	37,5	4 800	5 300	0,94	RNA 6915
90	110	25	72,1	140	18	4 500	5 000	0,45	▶ NK 90/25
	110	30	88	183	23,2	4 500	5 000	0,52	▶ RNA 4916
	110	35	101	216	28	4 500	5 000	0,63	▶ NK 90/35
	110	54	134	315	40	4 500	5 000	0,99	▶ RNA 6916
95	115	26	73,7	146	18,6	4 300	4 800	0,49	NK 95/26
	115	36	105	232	30	4 300	4 800	0,68	NK 95/36
100	120	26	76,5	156	19,6	4 000	4 500	0,52	▶ NK 100/26
	120	35	108	250	31	4 000	4 500	0,66	RNA 4917
	120	36	108	250	31	4 000	4 500	0,72	▶ NK 100/36
	120	63	165	425	53	4 000	4 500	1,2	▶ RNA 6917
105	125	26	78,1	166	20,4	3 800	4 300	0,54	NK 105/26
	125	35	112	265	32,5	3 800	4 300	0,75	RNA 4918
	125	36	112	265	32,5	3 800	4 300	0,71	NK 105/36
	125	63	172	450	55	3 800	4 300	1,35	RNA 6918

▶ Popular item

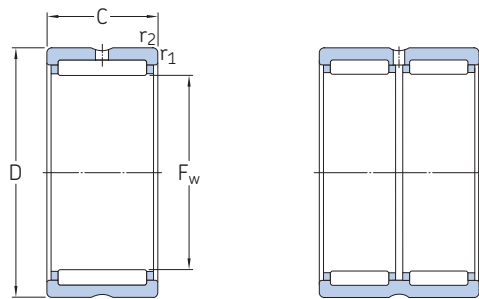


Dimensions		Abutment and fillet dimensions		Associated radial shaft seals ¹⁾		Spring loaded lip
F _w	r _{1,2} min.	D _a max.	r _a max.	Single lip	Double lip	
mm		mm		-		
72	1	85	1	-	-	72x90x10 HMS5 RG
	1	85	1	-	-	72x90x10 HMS5 RG
73	1	85	1	-	-	-
	1	85	1	-	-	-
75	1	87	1	-	-	73x92x11.1 CRWH1 R
	1	87	1	-	-	73x92x11.1 CRWH1 R
	1,1	88,5	1	-	-	75x95x10 HMS5 RG
80	1	90	1	-	-	80x95x10 HMS5 RG
	1	90	1	-	-	80x95x10 HMS5 RG
	1	95	1	-	-	80x100x10 HMS5 RG
	1	95	1	-	-	80x100x10 HMS5 RG
85	1	100	1	-	-	85x105x12 HMS5 RG
	1	100	1	-	-	85x105x12 HMS5 RG
	1	100	1	-	-	85x105x12 HMS5 RG
	1	100	1	-	-	85x105x12 HMS5 RG
90	1	105	1	-	-	90x110x10 HMS5 RG
	1	105	1	-	-	90x110x10 HMS5 RG
	1	105	1	-	-	90x110x10 HMS5 RG
	1	105	1	-	-	90x110x10 HMS5 RG
95	1	110	1	-	-	95x115x12 HMS5 RG
	1	110	1	-	-	95x115x12 HMS5 RG
100	1	115	1	-	-	100x120x10 HMS5 RG
	1,1	113,5	1	-	-	100x120x10 HMS5 RG
	1	115	1	-	-	100x120x10 HMS5 RG
	1,1	113,5	1	-	-	100x120x10 HMS5 RG
105	1	120	1	-	-	105x125x13 HMS4 R
	1,1	118,5	1	-	-	105x125x13 HMS4 R
	1	120	1	-	-	105x125x13 HMS4 R
	1,1	118,5	1	-	-	105x125x13 HMS4 R

¹⁾ For additional information → skf.com/seals

7.3 Needle roller bearings with machined rings with flanges, without an inner ring

F_w 110 – 330 mm

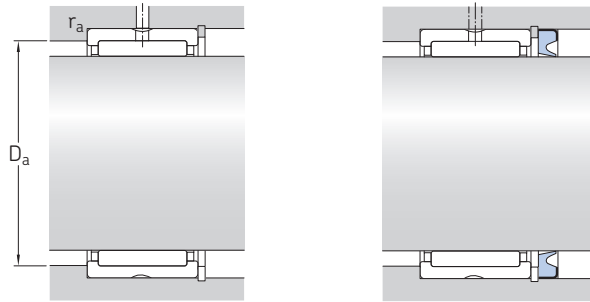


NK
RNA 48
RNA 49

RNA 69

Principal dimensions			Basic load ratings		Fatigue load limit	Speed ratings		Mass	Designation
F_w	D	C	dynamic	static		Reference speed	Limiting speed		
mm			C	C_0	P_u	r/min		kg	–
110	130	30	96,8	220	27	3 600	4 000	0,65	▶ NK 110/30 RNA 4919 ▶ NK 110/40
	130	35	114	270	33,5	3 600	4 000	0,72	
	130	40	123	305	37,5	3 600	4 000	0,83	
	130	63	172	465	56	3 600	4 000	1,45	▶ RNA 6919
115	140	40	125	280	34	3 400	4 000	1,15	RNA 4920
120	140	30	93,5	232	27	3 400	3 800	0,66	▶ RNA 4822
125	150	40	130	300	35,5	3 200	3 600	1,25	RNA 4922
130	150	30	99	255	29	3 200	3 600	0,73	▶ RNA 4824
135	165	45	176	405	49	3 000	3 400	1,85	▶ RNA 4924
145	165	35	119	325	36,5	2 800	3 200	0,99	RNA 4826
150	180	50	198	480	57	2 600	3 000	2,2	RNA 4926
155	175	35	121	345	37,5	2 600	3 000	0,97	▶ RNA 4828
160	190	50	205	510	60	2 400	2 800	2,35	RNA 4928
165	190	40	147	415	46,5	2 400	2 800	1,6	RNA 4830
175	200	40	157	450	49	2 200	2 600	1,7	▶ RNA 4832
185	215	45	179	520	56	2 200	2 400	2,55	RNA 4834
195	225	45	190	570	60	2 000	2 400	2,7	RNA 4836
210	240	50	220	710	73,5	1 900	2 200	3,2	▶ RNA 4838
220	250	50	224	735	75	1 800	2 000	3,35	RNA 4840
240	270	50	238	815	81,5	1 700	1 900	3,6	▶ RNA 4844
265	300	60	347	1 120	112	1 500	1 700	5,4	RNA 4848
285	320	60	358	1 200	118	1 400	1 500	5,8	RNA 4852
305	350	69	429	1 320	129	1 300	1 400	9,3	RNA 4856
330	380	80	594	1 800	173	1 100	1 300	12,5	RNA 4860

▶ Popular item

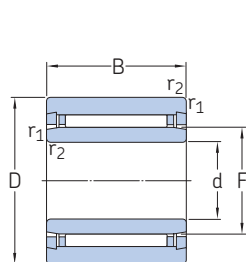


Dimensions		Abutment and fillet dimensions		Associated radial shaft seals ¹⁾		Spring loaded lip
F _w	r _{1,2} min.	D _a max.	r _a max.	Single lip	Double lip	
mm		mm		–		
110	1,1	123,5	1	–	–	110x130x12 HMS5 RG
	1,1	123,5	1	–	–	110x130x12 HMS5 RG
	1,1	123,5	1	–	–	110x130x12 HMS5 RG
	1,1	123,5	1	–	–	110x130x12 HMS5 RG
115	1,1	133,5	1	–	–	115x140x12 HMS5 RG
120	1	135	1	–	–	120x140x12 HMS5 RG
125	1,1	143,5	1	–	–	125x150x12 HMS5 RG
130	1	145	1	–	–	130x150x10 CRSA1 R
135	1,1	158,5	1	–	–	135x165x14 HMSA7 R
145	1,1	158,5	1	–	–	–
150	1,5	172	1,5	–	–	150x180x12 HMS5 RG
155	1,1	168,5	1	–	–	–
160	1,5	182	1,5	–	–	160x190x15 HMS5 RG
165	1,1	183,5	1	–	–	165x190x15 HMS5 RG
175	1,1	193,5	1	–	–	175x200x15 HMS5 RG
185	1,1	208,5	1	–	–	185x215x15 HMS42 R
195	1,1	218,5	1	–	–	–
210	1,5	232	1,5	–	–	210x240x15 HMS5 RG
220	1,5	242	1,5	–	–	220x250x15 HMS5 RG
240	1,5	262	1,5	–	–	240x270x15 HMS5 RG
265	2	291	2	–	–	Available on request
285	2	311	2	–	–	285x320x16 HDS2 R
305	2	341	2	–	–	Available on request
330	2,1	369	2	–	–	Available on request

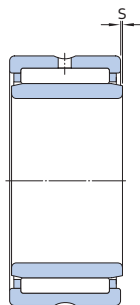
¹⁾ For additional information → skf.com/seals

7.4 Needle roller bearings with machined rings with flanges, with an inner ring

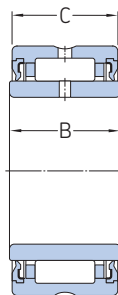
d 5 – 17 mm



NKI (d ≤ 7 mm)



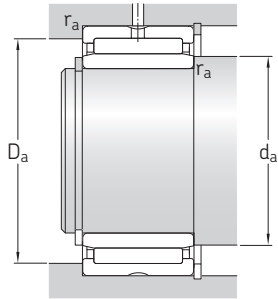
NKI(S) (d ≥ 9 mm)
NA 49
NA 69



NA 49 ...2RS

Principal dimensions				Basic load ratings		Fatigue load limit	Speed ratings		Mass	Designation
d	D	B	C	dynamic	static		Reference speed	Limiting speed		
mm				C	C ₀	P _u	r/min		kg	–
5	15	12	–	3,8	4,25	0,465	32 000	36 000	0,012	▶ NKI 5/12 TN NKI 5/16 TN
	15	16	–	5,01	5,85	0,67	32 000	36 000	0,015	
6	16	12	–	4,4	5,2	0,57	30 000	34 000	0,014	▶ NKI 6/12 TN ▶ NKI 6/16 TN
	16	16	–	5,72	7,2	0,815	30 000	34 000	0,017	
7	17	12	–	4,57	5,7	0,63	28 000	32 000	0,014	NKI 7/12 TN NKI 7/16 TN
	17	16	–	5,94	8	0,9	28 000	32 000	0,018	
9	19	12	–	6,71	8,15	0,965	26 000	30 000	0,017	▶ NKI 9/12 ▶ NKI 9/16
	19	16	–	9,13	12	1,43	26 000	30 000	0,022	
10	22	13	–	8,8	10,4	1,22	24 000	28 000	0,024	▶ NA 4900 ▶ NA 4900.2RS ▶ NKI 10/16 ▶ NKI 10/20
	22	14	13	7,37	8,15	0,965	–	12 000	0,025	
	22	16	–	10,2	12,5	1,5	24 000	28 000	0,029	
	22	20	–	12,8	16,6	2	24 000	28 000	0,037	
12	24	13	–	9,9	12,2	1,46	22 000	26 000	0,026	▶ NA 4901 ▶ NA 4901.2RS ▶ NKI 12/16 ▶ NKI 12/20 ▶ NA 6901
	24	14	13	8,09	9,65	1,14	–	11 000	0,028	
	24	16	–	11,7	15,3	1,8	22 000	26 000	0,033	
	24	20	–	14,5	20	2,4	22 000	26 000	0,042	
15	27	16	–	13,4	19	2,28	20 000	24 000	0,039	▶ NKI 15/16 ▶ NKI 15/20 ▶ NA 4902 ▶ NA 4902.2RS ▶ NA 6902 NKIS 15
	27	20	–	16,5	25,5	3,05	20 000	24 000	0,049	
	28	13	–	11,2	15,3	1,83	19 000	22 000	0,034	
	28	14	13	9,13	12	1,43	–	9 500	0,037	
	28	23	–	17,2	27	3,35	19 000	22 000	0,064	
	35	20	–	24,6	30	3,65	16 000	19 000	0,092	
17	29	16	–	13,8	20,4	2,45	19 000	22 000	0,042	▶ NKI 17/16 ▶ NKI 17/20 ▶ NA 4903 ▶ NA 4903.2RS ▶ NA 6903 ▶ NKIS 17
	29	20	–	17,2	27	3,35	19 000	22 000	0,053	
	30	13	–	11,4	16,3	1,96	18 000	20 000	0,038	
	30	14	13	9,52	12,9	1,53	–	9 000	0,04	
	30	23	–	18,7	30,5	3,75	18 000	20 000	0,072	
	37	20	–	26	33,5	4	15 000	17 000	0,098	

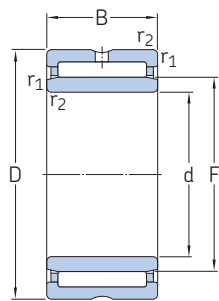
▶ Popular item



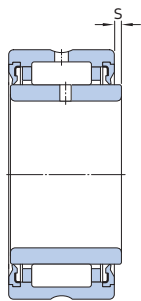
Dimensions			Abutment and fillet dimensions			
d	F	r _{1,2} min.	s max.	d _a min.	D _a max.	r _a max.
mm			mm			
5	8	0,3	1,5	7	13	0,3
	8	0,3	2	7	13	0,3
6	9	0,3	1,5	8	14	0,3
	9	0,3	2	8	14	0,3
7	10	0,3	1,5	9	15	0,3
	10	0,3	2	9	15	0,3
9	12	0,3	1,5	11	17	0,3
	12	0,3	2	11	17	0,3
10	14	0,3	0,5	12	20	0,3
	14	0,3	0,5	12	20	0,3
	14	0,3	0,5	12	20	0,3
	14	0,3	0,5	12	20	0,3
12	16	0,3	0,5	14	22	0,3
	16	0,3	0,5	14	22	0,3
	16	0,3	0,5	14	22	0,3
	16	0,3	0,5	14	22	0,3
15	19	0,3	0,5	17	25	0,3
	19	0,3	0,5	17	25	0,3
	20	0,3	0,5	17	26	0,3
	20	0,3	0,5	17	26	0,3
17	20	0,3	0,5	17	26	0,3
	20	0,3	1	17	26	0,3
	22	0,6	0,5	19	31	0,6
	22	0,3	0,5	19	27	0,3
17	21	0,3	0,5	19	27	0,3
	21	0,3	0,5	19	27	0,3
	22	0,3	0,5	19	28	0,3
	22	0,3	0,5	19	28	0,3
	22	0,3	1	19	28	0,3
	24	0,6	0,5	21	33	0,6



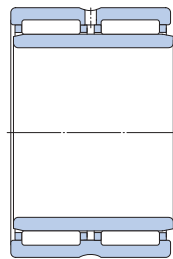
7.4 Needle roller bearings with machined rings with flanges, with an inner ring d 20 – 32 mm



NKI(S)
NA 49
NA 69 (d ≤ 30 mm)



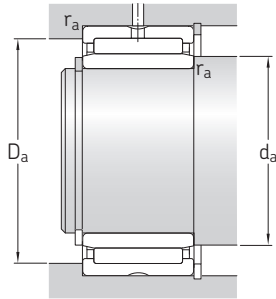
NA 49 ...2RS



NA 69 (d ≥ 32 mm)

Principal dimensions				Basic load ratings		Fatigue load limit	Speed ratings		Mass	Designation
d	D	B	C	dynamic	static		Reference speed	Limiting speed		
mm				C	C ₀	P _u	r/min		kg	–
20	32	16	–	15,4	24,5	2,9	16 000	19 000	0,048	▶ NKI 20/16
	32	20	–	19	32,5	4	16 000	19 000	0,06	▶ NKI 20/20
	37	17	–	21,6	28	3,35	15 000	17 000	0,075	▶ NA 4904
22	37	18	17	19,4	22,4	2,65	–	7 500	0,08	▶ NA 4904.2RS
	37	30	–	35,2	53	6,55	15 000	17 000	0,14	▶ NA 6904
	42	20	–	28,6	39	4,75	13 000	15 000	0,13	▶ NKIS 20
25	34	16	–	15,7	26	3,1	15 000	17 000	0,052	▶ NKI 22/16
	34	20	–	19,4	34,5	4,25	15 000	17 000	0,065	▶ NKI 22/20
	39	17	–	23,3	32	3,9	14 000	15 000	0,08	▶ NA 49/22
28	39	30	–	36,9	57	7,2	14 000	15 000	0,15	▶ NA 69/22
	38	20	–	24,6	42,5	5,2	14 000	15 000	0,08	▶ NKI 25/20 TN
	38	30	–	31,9	60	7,5	14 000	15 000	0,12	▶ NKI 25/30
30	42	17	–	24,2	34,5	4,15	13 000	15 000	0,088	▶ NA 4905
	42	18	17	21,6	27,5	3,25	–	6 300	0,09	▶ NA 4905.2RS
	42	30	–	38	62	7,65	13 000	15 000	0,16	▶ NA 6905
32	47	22	–	34,1	46,5	5,7	12 000	13 000	0,16	▶ NKIS 25
	42	20	–	26,4	48	6	12 000	14 000	0,092	▶ NKI 28/20 TN
	42	30	–	34,1	65,5	8,3	12 000	14 000	0,14	▶ NKI 28/30
32	45	17	–	25,1	36,5	4,4	12 000	14 000	0,098	▶ NA 49/28
	45	30	–	39,6	65,5	8,3	12 000	14 000	0,18	▶ NA 69/28
	45	20	–	27,5	52	6,55	11 000	13 000	0,11	▶ NKI 30/20 TN
32	45	30	–	40,2	85	10,6	11 000	13 000	0,17	▶ NKI 30/30 TN
	47	17	–	25,5	39	4,65	11 000	13 000	0,1	▶ NA 4906
	47	18	17	23,3	32	3,8	–	5 600	0,1	▶ NA 4906.2RS
32	47	30	–	42,9	75	9,3	11 000	13 000	0,19	▶ NA 6906
	52	22	–	36,9	54	6,55	10 000	12 000	0,18	▶ NKIS 30
	47	20	–	25,1	46,5	5,85	11 000	12 000	0,11	▶ NKI 32/20
32	47	30	–	36,9	76,5	9,5	11 000	12 000	0,17	▶ NKI 32/30
	52	20	–	30,8	51	6,3	10 000	11 000	0,16	▶ NA 49/32
	52	36	–	47,3	90	10,8	10 000	11 000	0,29	▶ NA 69/32

▶ Popular item

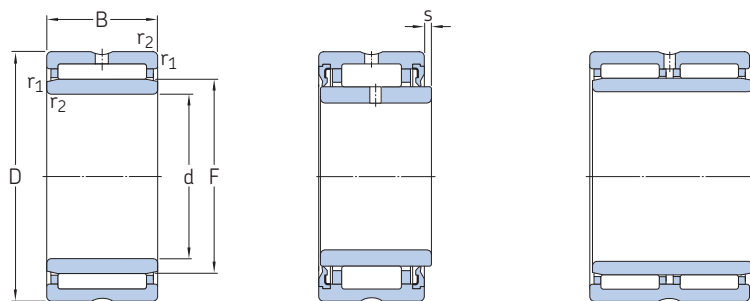


Dimensions				Abutment and fillet dimensions			
d	F	r _{1,2} min.	s max.	d _a min.	D _a max.	r _a max.	
mm				mm			
20	24	0,3	0,5	22	30	0,3	
	24	0,3	0,5	22	30	0,3	
	25	0,3	0,8	22	35	0,3	
25	25	0,3	0,5	22	35	0,3	
	25	0,3	1	22	35	0,3	
	28	0,6	0,5	24	38	0,6	
22	26	0,3	0,5	24	32	0,3	
	26	0,3	0,5	24	32	0,3	
	28	0,3	0,8	24	37	0,3	
28	28	0,3	0,5	24	37	0,3	
	25	29	0,3	1	27	36	0,3
		29	0,3	1,5	27	36	0,3
30		0,3	0,8	27	40	0,3	
30	30	0,3	0,5	27	40	0,3	
	30	0,3	1	27	40	0,3	
	32	0,6	1	29	43	0,6	
28	32	0,3	1	30	40	0,3	
	32	0,3	1,5	30	40	0,3	
	32	0,3	0,8	30	43	0,3	
32	32	0,3	1	30	43	0,3	
	30	35	0,3	0,5	32	43	0,3
		35	0,3	1	32	43	0,3
35		0,3	0,8	32	45	0,3	
35	35	0,3	0,5	32	45	0,3	
	35	0,3	1	32	45	0,3	
	37	0,6	1	34	48	0,6	
32	37	0,3	0,5	34	45	0,3	
	37	0,3	1	34	45	0,3	
	40	0,6	0,8	36	48	0,6	
40	40	0,6	0,5	36	48	0,6	



7.4 Needle roller bearings with machined rings with flanges, with an inner ring

d 35 – 55 mm



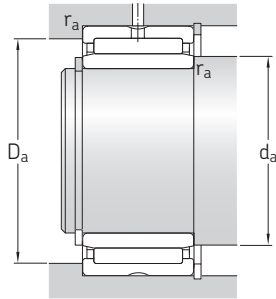
NKI(S)
NA 49

NA 49 ...2RS

NA 69

Principal dimensions				Basic load ratings		Fatigue load limit	Speed ratings		Mass	Designation
d	D	B	C	dynamic	static		Reference speed	Limiting speed		
mm				C	C ₀	P _u	r/min	kg	–	
35	50	20	–	29,7	60	7,5	10 000	11 000	0,12	▶ NKI 35/20 TN
	50	30	–	38	83	10,4	10 000	11 000	0,19	▶ NKI 35/30
	55	20	–	31,9	54	6,7	9 500	11 000	0,17	▶ NA 4907
38	55	21	20	27	43	5,3	–	4 800	0,18	▶ NA 4907.2RS
	55	36	–	48,4	93	11,4	9 500	11 000	0,31	▶ NA 6907
	58	22	–	39,1	61	7,5	9 000	10 000	0,22	NKIS 35
40	53	20	–	27,5	55	6,8	9 500	11 000	0,13	NKI 38/20
	53	30	–	40,2	90	11,2	9 500	11 000	0,21	▶ NKI 38/30
40	55	20	–	31,4	65,5	8,3	9 000	10 000	0,14	▶ NKI 40/20 TN
	55	30	–	45,7	108	13,7	9 000	10 000	0,22	▶ NKI 40/30 TN
	62	22	–	42,9	71	8,8	8 000	9 500	0,23	▶ NA 4908
42	62	23	22	36,9	58,5	7,1	–	4 000	0,25	▶ NA 4908.2RS
	62	40	–	67,1	125	15,3	8 000	9 500	0,43	▶ NA 6908
	65	22	–	42,9	72	8,8	8 000	9 000	0,28	NKIS 40
42	57	20	–	29,2	61	7,65	8 500	10 000	0,14	NKI 42/20
	57	30	–	41,8	98	12,5	8 500	10 000	0,22	NKI 42/30
45	62	25	–	42,9	91,5	11,2	8 000	9 000	0,22	▶ NKI 45/25 TN
	62	35	–	58,3	137	17	8 000	9 000	0,31	▶ NKI 45/35 TN
	68	22	–	45,7	78	9,65	7 500	8 500	0,27	▶ NA 4909
45	68	23	22	39,1	64	7,8	–	3 800	0,29	▶ NA 4909.2RS
	68	40	–	70,4	137	17	7 500	8 500	0,5	▶ NA 6909
	72	22	–	44,6	78	9,8	7 000	8 000	0,34	▶ NKIS 45
50	68	25	–	40,2	88	10,8	7 500	8 500	0,26	▶ NKI 50/25
	68	35	–	52,3	122	15,3	7 500	8 500	0,36	▶ NKI 50/35
	72	22	–	47,3	85	10,6	7 000	8 000	0,27	▶ NA 4910
50	72	23	22	40,2	69,5	8,5	–	3 400	0,3	▶ NA 4910.2RS
	72	40	–	73,7	150	18,6	7 000	8 000	0,52	▶ NA 6910
	80	28	–	62,7	104	13,2	6 300	7 500	0,52	▶ NKIS 50
55	72	25	–	46,8	110	13,4	6 700	7 500	0,26	▶ NKI 55/25 TN
	72	35	–	55	134	17	6 700	7 500	0,36	▶ NKI 55/35
	80	25	–	57,2	106	13,2	6 300	7 000	0,39	▶ NA 4911
55	80	45	–	89,7	190	23,2	6 300	7 000	0,78	▶ NA 6911
	85	28	–	66	114	14,6	6 000	6 700	0,56	NKIS 55

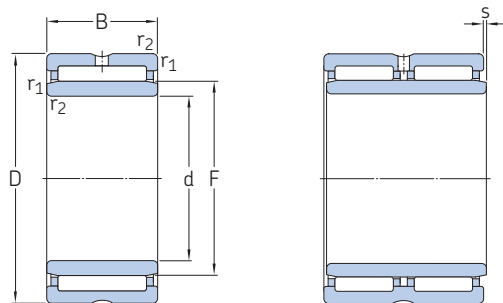
▶ Popular item



Dimensions				Abutment and fillet dimensions		
d	F	r _{1,2} min.	s max.	d _a min.	D _a max.	r _a max.
mm				mm		
35	40	0,3	0,5	37	48	0,3
	40	0,3	1	37	48	0,3
	42	0,6	0,8	39	51	0,6
	42	0,6	0,5	39	51	0,6
	43	0,6	0,5	39	53	0,6
38	43	0,3	0,5	40	51	0,3
	43	0,3	1	40	51	0,3
40	45	0,3	0,5	42	53	0,3
	45	0,3	1	42	53	0,3
	48	0,6	1	44	58	0,6
	48	0,6	0,5	44	58	0,6
	50	1	0,5	45	60	1
42	47	0,3	0,5	44	55	0,3
	47	0,3	1	44	55	0,3
45	50	0,6	1,5	49	58	0,6
	50	0,6	2	49	58	0,6
	52	0,6	1	49	64	0,6
	52	0,6	0,5	49	64	0,6
	55	1	0,5	50	67	1
50	55	0,6	1,5	54	64	0,6
	55	0,6	2	54	64	0,6
	58	0,6	1	54	68	0,6
	58	0,6	0,5	54	68	0,6
	60	1,1	2	56,5	73,5	1
55	60	0,6	1,5	59	68	0,6
	60	0,6	2	59	68	0,6
	63	1	1,5	60	75	1
	63	1	1,5	60	75	1
	65	1,1	2	61,5	78,5	1

7.4 Needle roller bearings with machined rings with flanges, with an inner ring

d 60 – 90 mm

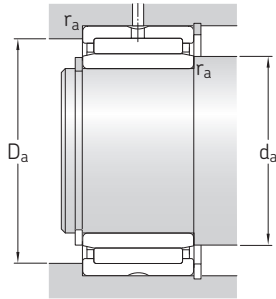


NKI(S)
NA 49

NA 69

Principal dimensions				Basic load ratings		Fatigue load limit	Speed ratings		Mass	Designation
d	D	B	C	dynamic	static		Reference speed	Limiting speed		
mm				C	C ₀	P _u	r/min		kg	–
60	82	25	–	44	95	11,8	6 000	6 700	0,39	▶ NKI 60/25
	82	35	–	60,5	146	18,3	6 000	6 700	0,55	▶ NKI 60/35
	85	25	–	60,5	114	14,3	6 000	6 700	0,43	▶ NA 4912
	85	45	–	93,5	204	25	6 000	6 700	0,81	▶ NA 6912
	90	28	–	68,2	120	15,3	5 600	6 300	0,56	▶ NKIS 60
	90	28	–	68,2	120	15,3	5 600	6 300	0,56	▶ NKIS 60
65	90	25	–	52,8	106	13,2	5 600	6 300	0,46	▶ NKI 65/25
	90	25	–	61,6	120	14,6	5 600	6 300	0,46	▶ NA 4913
	90	35	–	73,7	163	20,4	5 600	6 300	0,66	▶ NKI 65/35
	90	45	–	95,2	212	26	5 600	6 300	0,83	▶ NA 6913
	95	28	–	70,4	132	16,6	5 300	6 000	0,64	▶ NKIS 65
	95	28	–	70,4	132	16,6	5 300	6 000	0,64	▶ NKIS 65
70	95	25	–	56,1	127	15,6	5 000	5 600	0,51	▶ NKI 70/25
	95	35	–	76,5	190	24	5 000	5 600	0,72	▶ NKI 70/35
	100	30	–	84,2	163	20,8	5 000	5 600	0,73	▶ NA 4914
	100	54	–	128	285	36	5 000	5 600	1,35	▶ NA 6914
	100	54	–	128	285	36	5 000	5 600	1,35	▶ NA 6914
	100	54	–	128	285	36	5 000	5 600	1,35	▶ NA 6914
75	105	25	–	69,3	132	16,6	4 800	5 300	0,64	▶ NKI 75/25
	105	30	–	84,2	170	21,6	4 800	5 300	0,78	▶ NA 4915
	105	35	–	96,8	200	26	4 800	5 300	0,91	▶ NKI 75/35
	105	54	–	130	290	37,5	4 800	5 300	1,45	▶ NA 6915
	105	54	–	130	290	37,5	4 800	5 300	1,45	▶ NA 6915
	105	54	–	130	290	37,5	4 800	5 300	1,45	▶ NA 6915
80	110	25	–	72,1	140	18	4 500	5 000	0,68	▶ NKI 80/25
	110	30	–	88	183	23,2	4 500	5 000	0,88	▶ NA 4916
	110	35	–	101	216	28	4 500	5 000	0,96	▶ NKI 80/35
	110	54	–	134	315	40	4 500	5 000	1,5	▶ NA 6916
	110	54	–	134	315	40	4 500	5 000	1,5	▶ NA 6916
	110	54	–	134	315	40	4 500	5 000	1,5	▶ NA 6916
85	115	26	–	73,7	146	18,6	4 300	4 800	0,74	▶ NKI 85/26
	115	36	–	105	232	30	4 300	4 800	1,05	▶ NKI 85/36
	120	35	–	108	250	31	4 000	4 500	1,25	▶ NA 4917
	120	63	–	165	425	53	4 000	4 500	2,2	▶ NA 6917
	120	63	–	165	425	53	4 000	4 500	2,2	▶ NA 6917
	120	63	–	165	425	53	4 000	4 500	2,2	▶ NA 6917
90	120	26	–	76,5	156	19,6	4 000	4 500	0,78	▶ NKI 90/26
	120	36	–	108	250	31	4 000	4 500	1,1	▶ NKI 90/36
	125	35	–	112	265	32,5	3 800	4 300	1,3	▶ NA 4918
	125	63	–	172	450	55	3 800	4 300	2,3	▶ NA 6918
	125	63	–	172	450	55	3 800	4 300	2,3	▶ NA 6918
	125	63	–	172	450	55	3 800	4 300	2,3	▶ NA 6918

▶ Popular item

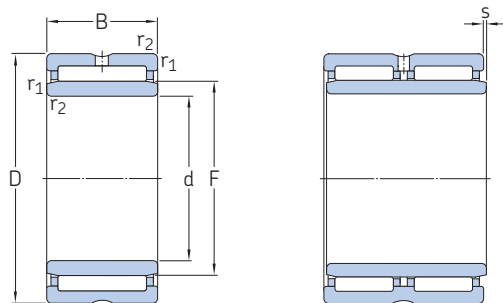


Dimensions				Abutment and fillet dimensions		
d	F	r _{1,2} min.	s max.	d _a min.	D _a max.	r _a max.
mm				mm		
60	68	0,6	1	64	78	0,6
	68	0,6	1	64	78	0,6
	68	1	1,5	65	80	1
	68	1	1,5	65	80	1
	70	1,1	2	66,5	83,5	1
65	73	1	1	70	85	1
	72	1	1,5	70	85	1
	73	1	1	70	85	1
	72	1	1,5	70	85	1
	75	1,1	2	71,5	88,5	1
70	80	1	0,8	75	90	1
	80	1	0,8	75	90	1
	80	1	1,5	75	95	1
	80	1	1	75	95	1
	80	1	1	75	95	1
75	85	1	1	80	100	1
	85	1	1,5	80	100	1
	85	1	1	80	100	1
	85	1	1	80	100	1
	85	1	1	80	100	1
80	90	1	1	85	105	1
	90	1	1,5	85	105	1
	90	1	1	85	105	1
	90	1	1	85	105	1
	90	1	1	85	105	1
85	95	1	1,5	90	110	1
	95	1	1,5	90	110	1
	100	1,1	1	91,5	113,5	1
	100	1,1	1	91,5	113,5	1
	100	1,1	1	91,5	113,5	1
90	100	1	1,5	95	115	1
	100	1	1,5	95	115	1
	105	1,1	1	96,5	118,5	1
	105	1,1	1	96,5	118,5	1
	105	1,1	1	96,5	118,5	1



7.4 Needle roller bearings with machined rings with flanges, with an inner ring

d 95 – 320 mm

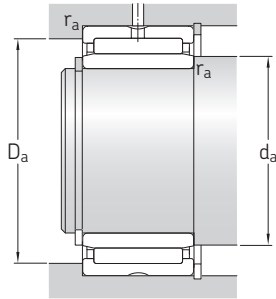


NKL
NA 48
NA 49

NA 69

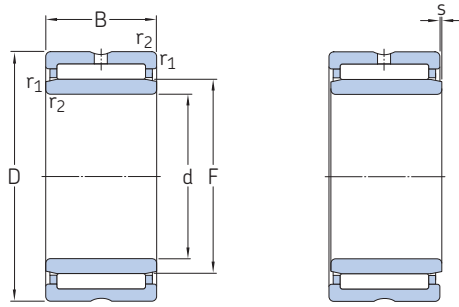
Principal dimensions				Basic load ratings		Fatigue load limit	Speed ratings		Mass	Designation
d	D	B	C	dynamic	static		Reference speed	Limiting speed		
mm				C	C ₀	P _u	r/min		kg	–
95	125	26	–	78,1	166	20,4	3 800	4 300	0,82	▶ NKL 95/26
	125	36	–	112	265	32,5	3 800	4 300	1,15	▶ NKL 95/36
	130	35	–	114	270	33,5	3 600	4 000	1,35	▶ NA 4919
	130	63	–	172	465	56	3 600	4 000	2,5	▶ NA 6919
100	130	30	–	96,8	220	27	3 600	4 000	0,99	▶ NKL 100/30
	130	40	–	123	305	37,5	3 600	4 000	1,35	▶ NKL 100/40
	140	40	–	125	280	34	3 400	4 000	1,9	▶ NA 4920
110	140	30	–	93,5	232	27	3 400	3 800	1,1	▶ NA 4822
	150	40	–	130	300	35,5	3 200	3 600	2,05	▶ NA 4922
120	150	30	–	99	255	29	3 200	3 600	1,15	▶ NA 4824
	165	45	–	176	405	49	3 000	3 400	2,85	▶ NA 4924
130	165	35	–	119	325	36,5	2 800	3 200	1,8	▶ NA 4826
	180	50	–	198	480	57	2 600	3 000	3,9	▶ NA 4926
140	175	35	–	121	345	37,5	2 600	3 000	1,9	▶ NA 4828
	190	50	–	205	510	60	2 400	2 800	4,15	▶ NA 4928
150	190	40	–	147	415	46,5	2 400	2 800	2,7	▶ NA 4830
160	200	40	–	157	450	49	2 200	2 600	2,85	▶ NA 4832
170	215	45	–	179	520	56	2 200	2 400	3,95	▶ NA 4834
180	225	45	–	190	570	60	2 000	2 400	4,2	▶ NA 4836
190	240	50	–	220	710	73,5	1 900	2 200	5,55	▶ NA 4838
200	250	50	–	224	735	75	1 800	2 000	5,8	▶ NA 4840
220	270	50	–	238	815	81,5	1 700	1 900	6,35	▶ NA 4844
240	300	60	–	347	1 120	112	1 500	1 700	9,9	▶ NA 4848
260	320	60	–	358	1 200	118	1 400	1 500	10,5	▶ NA 4852
280	350	69	–	429	1 320	129	1 300	1 400	15,5	▶ NA 4856
300	380	80	–	594	1 800	173	1 100	1 300	22	▶ NA 4860
320	400	80	–	605	1 900	176	1 100	1 200	23	▶ NA 4864

▶ Popular item

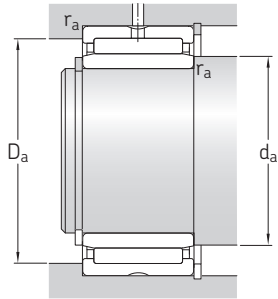


Dimensions				Abutment and fillet dimensions		
d	F	r _{1,2} min.	s max.	d _a min.	D _a max.	r _a max.
mm				mm		
95	105	1	1,5	100	120	1
	105	1	1,5	100	120	1
	110	1,1	1	101,5	123,5	1
	110	1,1	1	101,5	123,5	1
100	110	1,1	1,5	106,5	123,5	1
	110	1,1	2	106,5	123,5	1
	115	1,1	2	106,5	133,5	1
110	120	1	0,8	115	135	1
	125	1,1	2	116,5	143,5	1
120	130	1	0,8	125	145	1
	135	1,1	2	126,5	158,5	1
130	145	1,1	1	136,5	158,5	1
	150	1,5	1,5	138	172	1,5
140	155	1,1	1	146,5	168,5	1
	160	1,5	1,5	148	182	1,5
150	165	1,1	1,5	156,5	183,5	1
160	175	1,1	1,5	166,5	193,5	1
170	185	1,1	1,5	176,5	208,5	1
180	195	1,1	1,5	186,5	218,5	1
190	210	1,5	1,5	198	232	1,5
200	220	1,5	1,5	208	242	1,5
220	240	1,5	1,5	228	262	1,5
240	265	2	2	249	291	2
260	285	2	2	269	311	2
280	305	2	2,5	289	341	2
300	330	2,1	2	311	369	2
320	350	2,1	2	331	389	2

7.4 Needle roller bearings with machined rings with flanges, with an inner ring d 340 – 380 mm



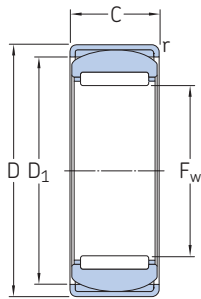
Principal dimensions				Basic load ratings		Fatigue load limit	Speed ratings		Mass	Designation
d	D	B	C	dynamic	static		Reference speed	Limiting speed		
mm				C	C ₀	P _u	r/min		kg	–
340	420	80	–	616	1 960	183	1 000	1 200	24	NA 4868
360	440	80	–	627	2 040	186	950	1 100	25,5	NA 4872
380	480	100	–	968	3 000	270	900	1 000	42,5	NA 4876



Dimensions				Abutment and fillet dimensions		
d	F	$r_{1,2}$ min.	s max.	d_a min.	D_a max.	r_a max.
mm				mm		
340	370	2,1	2	351	409	2
360	390	2,1	2	371	429	2
380	415	2,1	2	391	469	2

7.5 Alignment needle roller bearings, without an inner ring

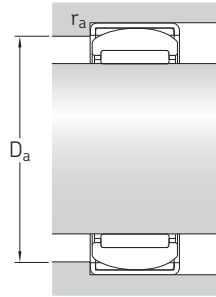
F_w 15 – 45 mm



Principal dimensions			Basic load ratings		Fatigue load limit	Speed ratings		Mass	Designation
F_w	D	C	dynamic	static		Reference speed	Limiting speed		
			C	C_0	P_u				
mm			kN	kN	kN	r/min		kg	–
15	28	12	7,37	9,15	1,08	24 000	28 000	0,032	RPNA 15/28
18	32	16	12,8	17,6	2,12	22 000	24 000	0,052	RPNA 18/32
20	35	16	13,2	19,3	2,28	19 000	22 000	0,062	▶ RPNA 20/35
25	42	20	19	32,5	4	16 000	18 000	0,11	▶ RPNA 25/42
30	47	20	22,9	38	4,8	13 000	15 000	0,13	▶ RPNA 30/47
35	52	20	24,6	45	5,6	11 000	13 000	0,13	▶ RPNA 35/52
40	55	20	26,4	51	6,3	10 000	11 000	0,14	RPNA 40/55
45	62	20	27,5	57	7,1	9 000	10 000	0,18	▶ RPNA 45/62

7.5

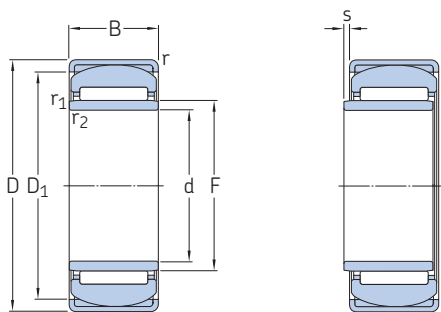
▶ Popular item



Dimensions			Abutment and fillet dimensions		
F_w	D_1	$r_{min.}$	$D_a_{min.}$	$D_a_{max.}$	$r_a_{max.}$
mm			mm		
15	24,5	0,8	23,5	24,5	0,8
18	27	0,8	26	27	0,8
20	30,5	0,8	29,5	30,5	0,8
25	36,5	0,8	35	37	0,8
30	42	0,8	41	42	0,8
35	47,5	0,8	46,5	47,5	0,8
40	50,5	0,8	49,5	50,5	0,8
45	58	0,8	57	58	0,8

7.6 Alignment needle roller bearings, with an inner ring

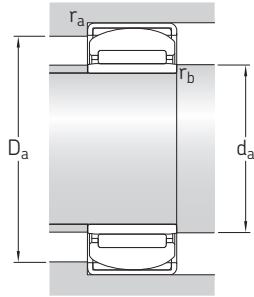
d 12 – 40 mm



Principal dimensions			Basic load ratings		Fatigue load limit	Speed ratings		Mass	Designation
d	D	B	dynamic	static		Reference speed	Limiting speed		
mm			C	C ₀	P _u	r/min		kg	–
12	28	12	7,37	9,15	1,08	24 000	28 000	0,037	PNA 12/28
15	32	16	12,8	17,6	2,12	22 000	24 000	0,062	► PNA 15/32
17	35	16	13,2	19,3	2,28	19 000	22 000	0,073	► PNA 17/35
20	42	20	19	32,5	4	16 000	18 000	0,14	► PNA 20/42
22	44	20	22	36,5	4,55	14 000	16 000	0,15	PNA 22/44
25	47	20	22,9	38	4,8	13 000	15 000	0,16	PNA 25/47
30	52	20	24,6	45	5,6	11 000	13 000	0,18	► PNA 30/52
35	55	20	26,4	51	6,3	10 000	11 000	0,18	► PNA 35/55
40	62	20	27,5	57	7,1	9 000	10 000	0,23	► PNA 40/62

7.6

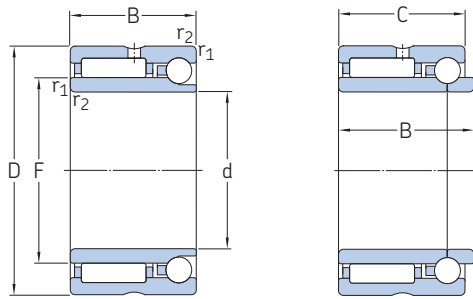
► Popular item



Dimensions						Abutment and fillet dimensions				
d	F	D ₁	r min.	r _{1,2} min.	s max.	d _a min.	D _a min.	D _a max.	r _a max.	r _b max.
mm						mm				
12	15	24,5	0,8	0,3	0,5	14	23,5	24,5	0,8	0,3
15	18	27	0,8	0,3	0,5	17	26	27	0,8	0,3
17	20	30,5	0,8	0,3	0,5	19	29,5	30,5	0,8	0,3
20	25	36,5	0,8	0,3	0,5	22	35	37	0,8	0,3
22	28	38,5	0,8	0,3	0,5	24	37,5	39	0,8	0,3
25	30	42	0,8	0,3	0,5	25	41	42	0,8	0,3
30	35	47,5	0,8	0,3	0,5	32	46,5	47,5	0,8	0,3
35	40	50,5	0,8	0,3	0,5	37	49,5	50,5	0,8	0,3
40	45	58	0,8	0,3	0,5	42	57	58	0,8	0,3

7.7 Needle roller / angular contact ball bearings

d 12 – 70 mm

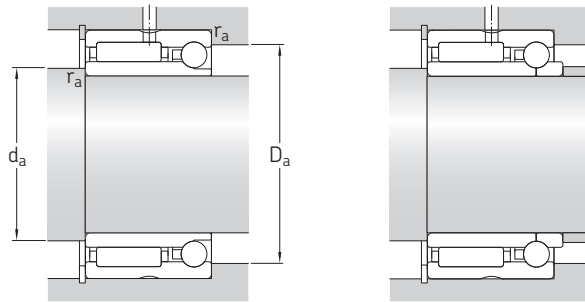


NKIA

NKIB

Principal dimensions				Basic load ratings				Fatigue load limit		Speed ratings		Mass	Designation
d	D	B	C	radial dynamic C	static C ₀	axial dynamic C	static C ₀	radial P _u	axial P _u	Reference speed	Limiting speed	kg	
mm				kN				kN		r/min		kg	–
12	24	16	–	8,09	9,65	2,07	1,92	1,14	0,083	22 000	26 000	0,04	▶ NKIA 5901
	24	17,5	16	8,09	9,65	2,07	1,92	1,14	0,083	22 000	26 000	0,043	▶ NKIB 5901
15	28	18	–	11,2	15,3	2,27	2,37	1,83	0,099	19 000	22 000	0,05	▶ NKIA 5902
	28	20	18	11,2	15,3	2,27	2,37	1,83	0,099	19 000	22 000	0,052	▶ NKIB 5902
17	30	18	–	11,4	16,3	2,24	2,74	1,96	0,116	18 000	20 000	0,056	▶ NKIA 5903
	30	20	18	11,4	16,3	2,24	2,74	1,96	0,116	18 000	20 000	0,058	▶ NKIB 5903
20	37	23	–	21,6	28	3,79	4,21	3,35	0,176	15 000	17 000	0,1	▶ NKIA 5904
	37	25	23	21,6	28	3,79	4,21	3,35	0,176	15 000	17 000	0,11	▶ NKIB 5904
22	39	23	–	23,3	32	4,14	4,93	3,9	0,205	14 000	15 000	0,12	NKIA 59/22
	39	25	23	23,3	32	4,14	4,93	3,9	0,205	14 000	15 000	0,12	▶ NKIB 59/22
25	42	23	–	24,2	34,5	4,24	5,26	4,15	0,224	13 000	15 000	0,13	▶ NKIA 5905
	42	25	23	24,2	34,5	4,24	5,26	4,15	0,224	13 000	15 000	0,13	▶ NKIB 5905
30	47	23	–	25,5	39	4,54	6,32	4,65	0,268	11 000	13 000	0,15	▶ NKIA 5906
	47	25	23	25,5	39	4,54	6,32	4,65	0,268	11 000	13 000	0,15	▶ NKIB 5906
35	55	27	–	31,9	54	5,83	8,42	6,7	0,355	9 500	11 000	0,24	▶ NKIA 5907
	55	30	27	31,9	54	5,83	8,42	6,7	0,355	9 500	11 000	0,25	▶ NKIB 5907
40	62	30	–	42,9	71	7,17	10,9	8,8	0,467	8 000	9 500	0,32	▶ NKIA 5908
	62	34	30	42,9	71	7,17	10,9	8,8	0,467	8 000	9 500	0,32	▶ NKIB 5908
45	68	30	–	45,7	78	7,47	12	9,65	0,513	7 500	8 500	0,38	NKIA 5909
	68	34	30	45,7	78	7,47	12	9,65	0,513	7 500	8 500	0,38	▶ NKIB 5909
50	72	30	–	47,3	85	7,74	13,7	10,6	0,579	7 000	8 000	0,38	▶ NKIA 5910
	72	34	30	47,3	85	7,74	13,7	10,6	0,579	7 000	8 000	0,39	▶ NKIB 5910
55	80	34	–	57,2	106	9,27	16,7	13,2	0,697	6 300	7 000	0,55	NKIA 5911
	80	38	34	57,2	106	9,27	16,7	13,2	0,697	6 300	7 000	0,56	▶ NKIB 5911
60	85	34	–	60,5	114	9,58	18	14,3	0,77	6 000	6 700	0,59	▶ NKIA 5912
	85	38	34	60,5	114	9,58	18	14,3	0,77	6 000	6 700	0,6	▶ NKIB 5912
65	90	34	–	61,6	120	9,96	19,2	14,6	0,816	5 600	6 300	0,64	NKIA 5913
	90	38	34	61,6	120	9,96	19,2	14,6	0,816	5 600	6 300	0,64	▶ NKIB 5913
70	100	40	–	84,2	163	13,2	25	20,8	1,05	5 000	5 600	0,98	NKIA 5914
	100	45	40	84,2	163	13,2	25	20,8	1,05	5 000	5 600	0,99	▶ NKIB 5914

▶ Popular item



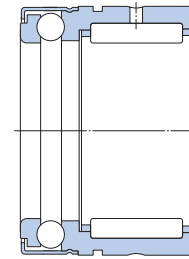
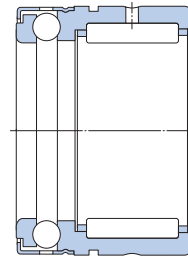
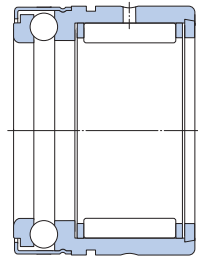
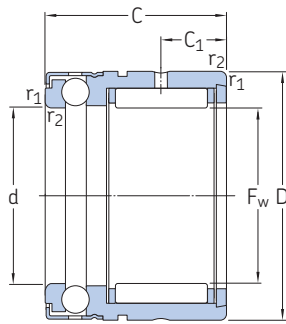
Dimensions

Abutment and fillet dimensions

d	F	r _{1,2} min.	d _a min.	D _a max.	r _a max.
mm			mm		
12	16	0,3	14	22	0,3
	16	0,3	14	22	0,3
15	20	0,3	17	26	0,3
	20	0,3	17	26	0,3
17	22	0,3	19	28	0,3
	22	0,3	19	28	0,3
20	25	0,3	22	35	0,3
	25	0,3	22	35	0,3
22	28	0,3	24	37	0,3
	28	0,3	24	37	0,3
25	30	0,3	27	40	0,3
	30	0,3	27	40	0,3
30	35	0,3	32	45	0,3
	35	0,3	32	45	0,3
35	42	0,6	39	51	0,6
	42	0,6	39	51	0,6
40	48	0,6	44	58	0,6
	48	0,6	44	58	0,6
45	52	0,6	49	64	0,6
	52	0,6	49	64	0,6
50	58	0,6	54	68	0,6
	58	0,6	54	68	0,6
55	63	1	60	75	1
	63	1	60	75	1
60	68	1	65	80	1
	68	1	65	80	1
65	72	1	70	85	1
	72	1	70	85	1
70	80	1	75	95	1
	80	1	75	95	1

7.8 Needle roller / thrust ball bearings, full complement thrust bearing

F_w 7 – 35 mm



NX
($F_w = 7$ mm)

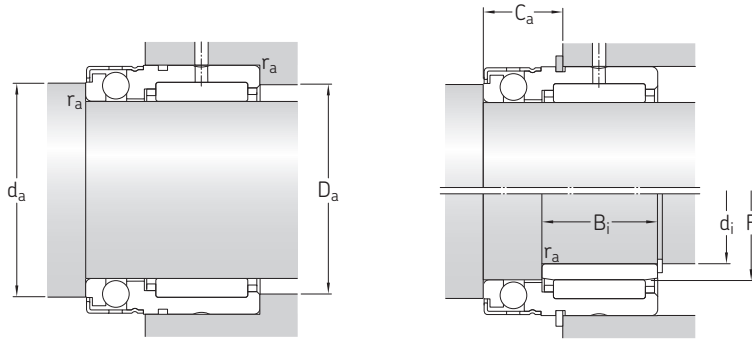
NX..Z
($F_w = 7$ mm)

NX
($F_w \geq 10$ mm)

NX..Z
($F_w \geq 10$ mm)

Principal dimensions			Basic load ratings				Fatigue load limit		Minimum load factor	Speed ratings		Mass	Designation
F_w	D	C	radial dynamic C	static C_0	axial dynamic C	static C_0	radial P_u	axial P_u	A	Reference speed	Limiting speed	kg	
mm			kN				kN		–	r/min		kg	–
7	14	18	2,81	2,75	3,45	5	0,29	0,186	0,00013	10 000	6 000	0,014	► NX 7 ZTN
	14	18	2,81	2,75	3,45	5	0,29	0,186	0,00013	10 000	11 000	0,014	NX 7 TN
10	19	18	4,95	4,55	5,07	8,5	0,53	0,31	0,00038	8 500	5 600	0,025	► NX 10 Z
	19	18	4,95	4,55	5,07	8,5	0,53	0,31	0,00038	8 500	9 500	0,025	NX 10
12	21	18	5,39	5,2	5,27	9,65	0,61	0,355	0,00048	8 000	5 300	0,028	► NX 12 Z
	21	18	5,39	5,2	5,27	9,65	0,61	0,355	0,00048	8 000	9 000	0,028	NX 12
15	24	28	11	14	6,18	12,2	1,66	0,45	0,00077	7 500	5 300	0,048	NX 15 Z
	24	28	11	14	6,18	12,2	1,66	0,45	0,00077	7 500	8 500	0,048	NX 15
17	26	28	12,1	16,6	6,37	13,4	1,96	0,5	0,00093	7 000	5 000	0,053	NX 17 Z
	26	28	12,1	16,6	6,37	13,4	1,96	0,5	0,00093	7 000	8 500	0,053	NX 17
20	30	28	13,2	19,3	7,8	17,3	2,28	0,64	0,0016	6 300	4 500	0,068	► NX 20 Z
	30	28	13,2	19,3	7,8	17,3	2,28	0,64	0,0016	6 300	7 500	0,068	NX 20
25	37	30	15,1	24,5	12,4	28,5	2,9	1,06	0,0042	5 600	3 800	0,12	NX 25 Z
	37	30	15,1	24,5	12,4	28,5	2,9	1,06	0,0042	5 600	6 300	0,12	NX 25
30	42	30	22,9	38	12,7	32,5	4,8	1,2	0,0055	5 300	3 600	0,13	► NX 30 Z
	42	30	22,9	38	12,7	32,5	4,8	1,2	0,0055	5 300	6 000	0,13	NX 30
35	47	30	24,6	45	13,5	38	5,6	1,4	0,0075	5 000	3 400	0,16	NX 35 Z
	47	30	24,6	45	13,5	38	5,6	1,4	0,0075	5 000	5 600	0,16	NX 35

► Popular item

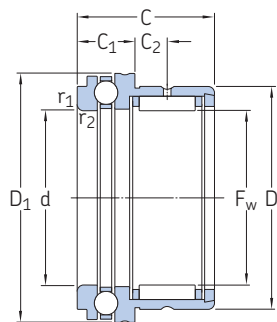


Dimensions				Abutment and fillet dimensions				Associated inner ring ¹⁾ Dimensions			Designation	Associated snap ring ²⁾ Designation
F _w	C ₁	d	r _{1,2} min.	d _a min.	D _a max.	C _a	r _a max.	d _i	F	B _i		
mm				mm				mm			-	-
7	4,7	7	0,3	9,6	12	10	0,3	-	-	-	-	SW 14
	4,7	7	0,3	9,6	12	10	0,3	-	-	-	-	SW 14
10	4,7	10	0,3	14,6	17	10	0,3	6	10	10	IR 6x10x10 IS1	SW 19
	4,7	10	0,3	14,6	17	10	0,3	6	10	10	IR 6x10x10 IS1	SW 19
12	4,7	12	0,3	16,6	19	10	0,3	8	12	10	IR 8x12x10 IS1	SW 21
	4,7	12	0,3	16,6	19	10	0,3	8	12	10	IR 8x12x10 IS1	SW 21
15	8	15	0,3	19	22	12,2	0,3	12	15	16	IR 12x15x16	SW 24
	8	15	0,3	19	22	12,2	0,3	12	15	16	IR 12x15x16	SW 24
17	8	17	0,3	21	24	12,2	0,3	14	17	17	IR 14x17x17	SW 26
	8	17	0,3	21	24	12,2	0,3	14	17	17	IR 14x17x17	SW 26
20	8	20	0,3	25	28	12,2	0,3	17	20	16	IR 17x20x16	SW 30
	8	20	0,3	25	28	12,2	0,3	17	20	16	IR 17x20x16	SW 30
25	8	25	0,3	31,6	35	14,2	0,3	20	25	16	IR 20x25x16 IS1	SW 37
	8	25	0,3	31,6	35	14,2	0,3	20	25	16	IR 20x25x16 IS1	SW 37
30	10	30	0,3	36,5	40	14,2	0,3	25	30	20	IR 25x30x20	SW 42
	10	30	0,3	36,5	40	14,2	0,3	25	30	20	IR 25x30x20	SW 42
35	10	35	0,3	40,5	45	14,2	0,3	30	35	20	IR 30x35x20	SW 47
	10	35	0,3	40,5	45	14,2	0,3	30	35	20	IR 30x35x20	SW 47

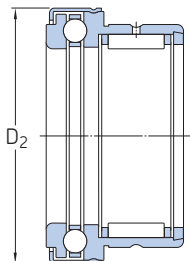
¹⁾ For additional information → Needle roller bearing inner rings, page 593
²⁾ In accordance with DIN 471, not supplied by SKF.

7.9 Needle roller / thrust ball bearings, thrust bearing with a cage

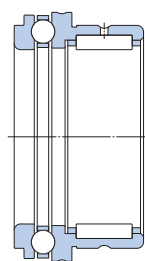
F_w 10 – 70 mm



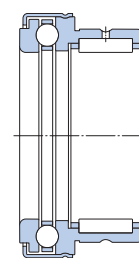
NKX
($F_w = 10$ mm)



NKX..Z
($F_w = 10$ mm)



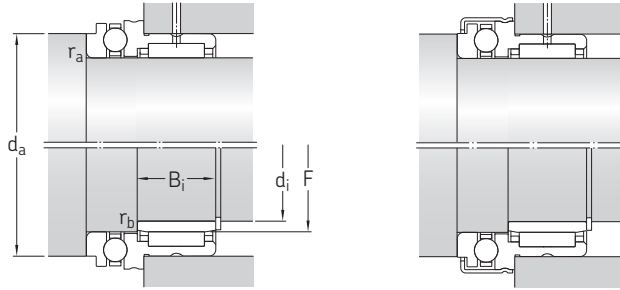
NKX
($F_w \geq 12$ mm)



NKX..Z
($F_w \geq 12$ mm)

F_w	Principal dimensions		Basic load ratings				Fatigue load limit		Minimum load factor	Speed ratings		Mass	Designation
	D	C	radial dynamic C	static C_0	axial dynamic C	static C_0	radial P_u	axial P_u		Reference speed	Limiting speed		
mm			kN				kN		–	r/min		kg	–
10	19	23	5,94	8	9,95	15,3	0,9	0,56	0,0012	9 500	8 000	0,036	NKX 10 ZTN
	19	23	5,94	8	9,95	15,3	0,9	0,56	0,0012	9 500	13 000	0,034	▶ NKX 10 TN
12	21	23	9,13	12	10,4	16,6	1,43	0,62	0,0014	9 000	7 500	0,04	▶ NKX 12 Z
	21	23	9,13	12	10,4	16,6	1,43	0,62	0,0014	9 000	13 000	0,038	NKX 12
15	24	23	11	14	10,6	18,3	1,66	0,67	0,0017	8 500	7 000	0,047	▶ NKX 15 Z
	24	23	11	14	10,6	18,3	1,66	0,67	0,0017	8 500	12 000	0,044	▶ NKX 15
17	26	25	12,1	16,6	10,8	19,6	1,96	0,735	0,002	8 500	7 000	0,055	▶ NKX 17 Z
	26	25	12,1	16,6	10,8	19,6	1,96	0,735	0,002	8 500	12 000	0,053	NKX 17
20	30	30	16,5	25,5	14,3	27	3,05	1	0,0038	7 500	6 000	0,09	▶ NKX 20 Z
	30	30	16,5	25,5	14,3	27	3,05	1	0,0038	7 500	10 000	0,083	▶ NKX 20
25	37	30	19	32,5	19,5	40,5	4	1,5	0,0085	6 300	5 500	0,13	▶ NKX 25 Z
	37	30	19	32,5	19,5	40,5	4	1,5	0,0085	6 300	9 000	0,13	NKX 25
30	42	30	22,9	38	20,3	45,5	4,8	1,7	0,01	6 000	5 000	0,14	▶ NKX 30 Z
	42	30	22,9	38	20,3	45,5	4,8	1,7	0,01	6 000	8 500	0,14	▶ NKX 30
35	47	30	24,6	45	21,2	51	5,6	1,9	0,013	5 600	4 500	0,17	▶ NKX 35 Z
	47	30	24,6	45	21,2	51	5,6	1,9	0,013	5 600	7 500	0,16	▶ NKX 35
40	52	32	26,4	51	27	68	6,3	2,55	0,024	5 000	4 000	0,21	▶ NKX 40 Z
	52	32	26,4	51	27	68	6,3	2,55	0,024	5 000	7 000	0,2	NKX 40
45	58	32	27,5	57	28,1	75	7,1	2,8	0,029	4 500	3 800	0,27	▶ NKX 45 Z
	58	32	27,5	57	28,1	75	7,1	2,8	0,029	4 500	6 300	0,25	NKX 45
50	62	35	38	78	28,6	81,5	9,65	3,05	0,034	4 300	3 600	0,3	▶ NKX 50 Z
	62	35	38	78	28,6	81,5	9,65	3,05	0,034	4 300	6 300	0,28	▶ NKX 50
60	72	40	41,8	96,5	41,6	122	11,8	4,55	0,077	3 600	3 000	0,38	▶ NKX 60 Z
	72	40	41,8	96,5	41,6	122	11,8	4,55	0,077	3 600	5 000	0,36	▶ NKX 60
70	85	40	44,6	98	43,6	137	12,2	5,1	0,097	3 400	2 700	0,52	▶ NKX 70 Z
	85	40	44,6	98	43,6	137	12,2	5,1	0,097	3 400	4 500	0,5	▶ NKX 70

▶ Popular item

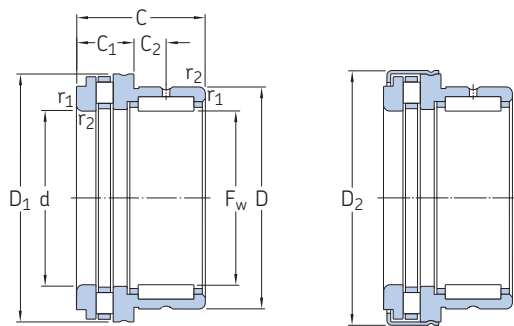


Dimensions			Abutment and fillet dimensions							Associated inner ring ¹⁾ Dimensions			Designation
F _w	C ₁	C ₂	d	D ₁	D ₂	r _{1,2} min.	d _a min.	r _a max.	r _b max.	d _i	F	B _i	
mm			mm							mm			–
10	9	6,5	10	–	25,2	0,3	19,7	0,3	0,3	7	10	16	IR 7x10x16
	9	6,5	10	24,1	–	0,3	19,7	0,3	0,3	7	10	16	IR 7x10x16
12	9	6,5	12	–	27,2	0,3	21,7	0,3	0,3	9	12	16	IR 9x12x16
	9	6,5	12	26,1	–	0,3	21,7	0,3	0,3	9	12	16	IR 9x12x16
15	9	6,5	15	–	29,2	0,3	23,7	0,3	0,3	12	15	16	IR 12x15x16
	9	6,5	15	28,1	–	0,3	23,7	0,3	0,3	12	15	16	IR 12x15x16
17	9	8	17	–	31,2	0,3	25,7	0,3	0,3	14	17	17	IR 14x17x17
	9	8	17	30,1	–	0,3	25,7	0,3	0,3	14	17	17	IR 14x17x17
20	10	10,5	20	–	36,2	0,3	30,7	0,3	0,3	17	20	20	IR 17x20x20
	10	10,5	20	35,1	–	0,3	30,7	0,3	0,3	17	20	20	IR 17x20x20
25	11	9,5	25	–	43,2	0,6	37,7	0,6	0,3	20	25	20	IR 20x25x20
	11	9,5	25	42,1	–	0,6	37,7	0,6	0,3	20	25	20	IR 20x25x20
30	11	9,5	30	–	48,2	0,6	42,7	0,6	0,3	25	30	20	IR 25x30x20
	11	9,5	30	47,1	–	0,6	42,7	0,6	0,3	25	30	20	IR 25x30x20
35	12	9	35	–	53,2	0,6	47,7	0,6	0,3	30	35	20	IR 30x35x20
	12	9	35	52,1	–	0,6	47,7	0,6	0,3	30	35	20	IR 30x35x20
40	13	10	40	–	61,2	0,6	55,7	0,6	0,3	35	40	20	IR 35x40x20
	13	10	40	60,1	–	0,6	55,7	0,6	0,3	35	40	20	IR 35x40x20
45	14	9	45	–	66,5	0,6	60,5	0,6	0,3	40	45	20	IR 40x45x20
	14	9	45	65,2	–	0,6	60,5	0,6	0,3	40	45	20	IR 40x45x20
50	14	10	50	–	71,5	0,6	65,5	0,6	0,6	45	50	25	IR 45x50x25
	14	10	50	70,2	–	0,6	65,5	0,6	0,6	45	50	25	IR 45x50x25
60	17	12	60	–	86,5	1	80,5	1	1	50	60	25	IR 50x60x25
	17	12	60	85,2	–	1	80,5	1	1	50	60	25	IR 50x60x25
70	18	11	70	–	96,5	1	90,5	1	1	60	70	25	IR 60x70x25
	18	11	70	95,2	–	1	90,5	1	1	60	70	25	IR 60x70x25

¹⁾ For additional information → Needle roller bearing inner rings, page 593

7.10 Needle roller / cylindrical roller thrust bearings

F_w 15 – 50 mm

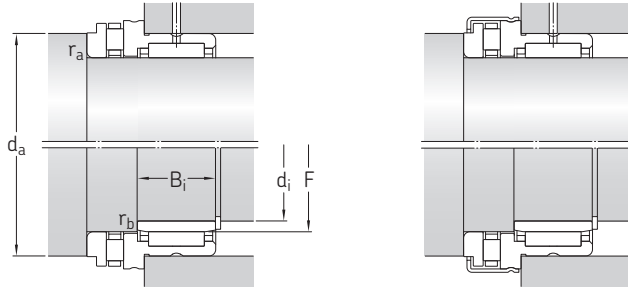


NKXR

NKXR..Z

Principal dimensions			Basic load ratings				Fatigue load limit		Minimum load factor	Speed ratings		Mass	Designation
F _w	D	C	radial dynamic C	static C ₀	axial dynamic C	static C ₀	radial P _u	axial P _u	A	Reference speed	Limiting speed	kg	
mm			kN				kN		–	r/min			–
15	24	23	11	14	11,2	27	1,66	2,45	0,000 058	4 300	8 500	0,042	NKXR 15
	24	23	11	14	11,2	27	1,66	2,45	0,000 058	4 300	8 500	0,045	► NKXR 15 Z
17	26	25	12,1	16,6	12,2	31,5	1,96	2,85	0,000 079	4 300	8 500	0,05	► NKXR 17
	26	25	12,1	16,6	12,2	31,5	1,96	2,85	0,000 079	4 300	8 500	0,053	► NKXR 17 Z
20	30	30	16,5	25,5	18,6	48	3,05	4,65	0,00018	3 800	7 500	0,08	► NKXR 20
	30	30	16,5	25,5	18,6	48	3,05	4,65	0,00018	3 800	7 500	0,084	► NKXR 20 Z
25	37	30	19	32,5	25	69,5	4	6,8	0,00039	3 200	6 300	0,12	NKXR 25
	37	30	19	32,5	25	69,5	4	6,8	0,00039	3 200	6 300	0,13	► NKXR 25 Z
30	42	30	22,9	38	27	78	4,8	7,65	0,00049	3 000	6 000	0,14	NKXR 30
	42	30	22,9	38	27	78	4,8	7,65	0,00049	3 000	6 000	0,14	► NKXR 30 Z
35	47	30	24,6	45	29	93	5,6	9,15	0,00069	2 800	5 600	0,16	NKXR 35
	47	30	24,6	45	29	93	5,6	9,15	0,00069	2 800	5 600	0,17	► NKXR 35 Z
40	52	32	26,4	51	43	137	6,3	13,7	0,0015	2 400	5 000	0,2	NKXR 40
	52	32	26,4	51	43	137	6,3	13,7	0,0015	2 400	5 000	0,21	► NKXR 40 Z
45	58	32	27,5	57	45	153	7,1	15,3	0,0019	2 200	4 500	0,24	NKXR 45
	58	32	27,5	57	45	153	7,1	15,3	0,0019	2 200	4 500	0,26	► NKXR 45 Z
50	62	35	38	78	47,5	166	9,65	16,6	0,0022	2 200	4 300	0,27	NKXR 50
	62	35	38	78	47,5	166	9,65	16,6	0,0022	2 200	4 300	0,29	► NKXR 50 Z

► Popular item

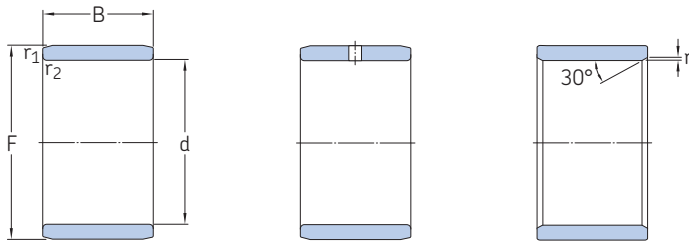


Dimensions						Abutment and fillet dimensions				Associated inner ring ¹⁾ Dimensions			Designation
F _w	C ₁	C ₂	d	D ₁	D ₂	r _{1,2} min.	d _a min.	r _a max.	r _b max.	d _i	F	B _i	
mm						mm				mm			–
15	9	6,5	15	28,1	–	0,3	23,7	0,3	0,3	12	15	16	IR 12x15x16
	9	6,5	15	–	29,2	0,3	23,7	0,3	0,3	12	15	16	IR 12x15x16
17	9	8	17	30,1	–	0,3	25,7	0,3	0,3	14	17	17	IR 14x17x17
	9	8	17	–	31,2	0,3	25,7	0,3	0,3	14	17	17	IR 14x17x17
20	10	10,5	20	35,1	–	0,3	30,7	0,3	0,3	17	20	20	IR 17x20x20
	10	10,5	20	–	36,2	0,3	30,7	0,3	0,3	17	20	20	IR 17x20x20
25	11	9,5	25	42,1	–	0,6	37,7	0,6	0,3	20	25	20	IR 20x25x20
	11	9,5	25	–	43,2	0,6	37,7	0,6	0,3	20	25	20	IR 20x25x20
30	11	9,5	30	47,1	–	0,6	42,7	0,6	0,3	25	30	20	IR 25x30x20
	11	9,5	30	–	48,2	0,6	42,7	0,6	0,3	25	30	20	IR 25x30x20
35	12	9	35	52,1	–	0,6	47,7	0,6	0,3	30	35	20	IR 30x35x20
	12	9	35	–	53,2	0,6	47,7	0,6	0,3	30	35	20	IR 30x35x20
40	13	10	40	60,1	–	0,6	55,7	0,6	0,3	35	40	20	IR 35x40x20
	13	10	40	–	61,2	0,6	55,7	0,6	0,3	35	40	20	IR 35x40x20
45	14	9	45	65,2	–	0,6	60,6	0,6	0,3	40	45	20	IR 40x45x20
	14	9	45	–	66,5	0,6	60,6	0,6	0,3	40	45	20	IR 40x45x20
50	14	10	50	70,2	–	0,6	65,5	0,6	0,6	45	50	25	IR 45x50x25
	14	10	50	–	71,5	0,6	65,5	0,6	0,6	45	50	25	IR 45x50x25

¹⁾ For additional information → Needle roller bearing inner rings, page 593

7.11 Needle roller bearing inner rings

d 5 – 75 mm



IR

IR .. IS1

LR

IR						LR					
Dimensions				Mass	Designation	Dimensions				Mass	Designation
d	F	B	r, r _{1,2} min.			d	F	B	r, r _{1,2} min.		
mm				kg	–	mm				kg	–
5	8	12	0,3	0,0028	IR 5x8x12	15	18	12,5	0,3	0,0072	LR 15x18x12.5
	8	16	0,3	0,0037	IR 5x8x16		18	16	0,3	0,0094	IR 15x18x16
6	9	12	0,3	0,003	▶ IR 6x9x12		18	16,5	0,3	0,0098	IR 15x18x16.5
	9	16	0,3	0,0043	IR 6x9x16		19	16	0,3	0,013	IR 15x19x16
7	10	10,5	0,3	0,0031	▶ IR 7x10x10.5		19	20	0,3	0,016	IR 15x19x20
	10	10,5	0,3	0,0031	LR 7x10x10.5		20	13	0,3	0,014	IR 15x20x13
	10	12	0,3	0,0036	▶ IR 7x10x12	20	23	0,3	0,024	IR 15x20x23	
8	10	16	0,3	0,0049	IR 7x10x16	17	20	16	0,3	0,011	▶ IR 17x20x16
	12	10	0,3	0,0048	▶ IR 8x12x10 IS1		20	16,5	0,3	0,011	▶ IR 17x20x16.5
	12	10,5	0,3	0,005	IR 8x12x10.5		20	16,5	0,3	0,011	LR 17x20x16.5
	12	10,5	0,3	0,005	LR 8x12x10.5	20	20	0,3	0,014	▶ IR 17x20x20	
	12	12,5	0,3	0,0059	▶ IR 8x12x12.5	20	20,5	0,3	0,014	▶ IR 17x20x20.5	
9	12	12	0,3	0,0044	IR 9x12x12	20	20,5	0,3	0,014	LR 17x20x20.5	
	12	16	0,3	0,006	IR 9x12x16	20	20,5	0,3	0,014	LR 17x20x20.5	
10	13	12,5	0,3	0,0052	▶ IR 10x13x12.5	20	30,5	0,3	0,021	▶ IR 17x20x30.5	
	13	12,5	0,3	0,0052	LR 10x13x12.5	20	30,5	0,3	0,021	LR 17x20x30.5	
	14	13	0,3	0,0074	IR 10x14x13	22	13	0,3	0,015	▶ IR 17x22x13	
	14	16	0,3	0,0092	▶ IR 10x14x16	22	16	0,3	0,018	▶ IR 17x22x16	
12	14	20	0,3	0,012	IR 10x14x20	22	23	0,3	0,027	▶ IR 17x22x23	
	15	12	0,3	0,0057	IR 12x15x12	24	20	0,6	0,034	▶ IR 17x24x20	
	15	12,5	0,3	0,0061	▶ IR 12x15x12.5	20	24	16	0,3	0,015	IR 20x24x16
	15	12,5	0,3	0,0061	LR 12x15x12.5		24	20	0,3	0,021	▶ IR 20x24x20
	15	16	0,3	0,0076	▶ IR 12x15x16		25	12,5	0,3	0,016	LR 20x25x12.5
	15	16,5	0,3	0,0081	IR 12x15x16.5	25	16,5	0,3	0,022	LR 20x25x16.5	
	15	22,5	0,3	0,011	IR 12x15x22.5	25	17	0,3	0,025	IR 20x25x17	
	15	16	0,3	0,0076	▶ IR 12x15x16	25	20	0,3	0,028	▶ IR 20x25x20	
	15	16,5	0,3	0,0081	IR 12x15x16.5	25	20,5	0,3	0,027	▶ IR 20x25x20.5	
	15	22,5	0,3	0,011	IR 12x15x22.5	25	20,5	0,3	0,027	LR 20x25x20.5	
	15	22,5	0,3	0,011	LR 12x15x22.5	25	26,5	0,3	0,038	▶ IR 20x25x26.5	
	16	13	0,3	0,0085	▶ IR 12x16x13	25	26,5	0,3	0,038	LR 20x25x26.5	
16	16	0,3	0,011	IR 12x16x16	25	30	0,3	0,04	▶ IR 20x25x30		
14	16	20	0,3	0,014	▶ IR 12x16x20	25	38,5	0,3	0,053	▶ IR 20x25x38.5	
	16	22	0,3	0,015	IR 12x16x22	28	20	0,6	0,045	IR 20x28x20	

▶ Popular item

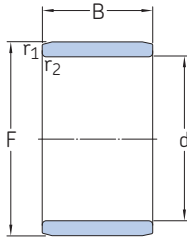
Dimensions				Mass	Designation	Dimensions				Mass	Designation	
d	F	B	r, r _{1,2} min.			d	F	B	r, r _{1,2} min.			
mm				kg	–	mm				kg	–	
22	26	16	0,3	0,018	IR 22x26x16	40	45	16,5	0,3	0,041	LR 40x45x16.5	
	26	20	0,3	0,023	IR 22x26x20		45	17	0,3	0,043	IR 40x45x17	
	28	17	0,3	0,03	▶ IR 22x28x17		45	20	0,3	0,049	▶ IR 40x45x20	
	28	20	0,3	0,035	IR 22x28x20		45	20,5	0,3	0,052	IR 40x45x20.5	
	28	20,5	0,3	0,036	IR 22x28x20.5		45	20,5	0,3	0,052	LR 40x45x20.5	
	28	30	0,3	0,054	IR 22x28x30		45	30	0,3	0,084	▶ IR 40x45x30	
	25	29	20	0,3	0,026		IR 25x29x20	48	22	0,6	0,092	▶ IR 40x48x22
		29	30	0,3	0,039		IR 25x29x30	48	40	0,6	0,17	▶ IR 40x48x40
		30	12,5	0,3	0,02		▶ LR 25x30x12.5	50	22	1	0,12	IR 40x50x22
		30	16,5	0,3	0,027		LR 25x30x16.5	42	47	20	0,3	0,053
30		17	0,3	0,027	▶ IR 25x30x17	47	30		0,3	0,081	IR 42x47x30	
30		20	0,3	0,033	▶ IR 25x30x20	45	50	20,5	0,3	0,059	LR 45x50x20.5	
30		20,5	0,3	0,033	▶ IR 25x30x20.5		50	25	0,6	0,071	▶ IR 45x50x25	
30		20,5	0,3	0,033	LR 25x30x20.5		50	25,5	0,3	0,075	IR 45x50x25.5	
30		26,5	0,3	0,046	▶ IR 25x30x26.5	50	50	25,5	0,3	0,075	LR 45x50x25.5	
30		26,5	0,3	0,046	LR 25x30x26.5		50	35	0,6	0,1	▶ IR 45x50x35	
30	30	0,3	0,053	▶ IR 25x30x30	52		22	0,6	0,089	▶ IR 45x52x22		
30	32	0,3	0,056	IR 25x30x32	50	52	40	0,6	0,16	IR 45x52x40		
30	38,5	0,3	0,065	▶ IR 25x30x38.5		55	22	1	0,13	▶ IR 45x55x22		
30	38,5	0,3	0,065	LR 25x30x38.5		50	55	20,5	0,6	0,064	LR 50x55x20.5	
32	22	0,6	0,053	IR 25x32x22	55		25	0,6	0,078	▶ IR 50x55x25		
28	32	17	0,3	0,025	IR 28x32x17		55	35	0,6	0,11	▶ IR 50x55x35	
	32	20	0,3	0,029	IR 28x32x20	58	22	0,6	0,12	IR 50x58x22		
	32	30	0,3	0,044	IR 28x32x30		58	40	0,6	0,21	IR 50x58x40	
30	35	12,5	0,3	0,023	LR 30x35x12.5		60	25	1	0,16	▶ IR 50x60x25	
	35	13	0,3	0,025	▶ IR 30x35x13	60	28	1,1	0,18	IR 50x60x28		
	35	16	0,3	0,034	IR 30x35x16		55	60	25	0,6	0,086	▶ IR 55x60x25
	35	17	0,3	0,036	▶ IR 30x35x17			60	35	0,6	0,12	▶ IR 55x60x35
	35	20	0,3	0,039	▶ IR 30x35x20	63		25	1	0,14	IR 55x63x25	
	35	20,5	0,3	0,04	IR 30x35x20.5	63	45	1	0,26	IR 55x63x45		
	35	20,5	0,3	0,04	LR 30x35x20.5		65	28	1,1	0,2	▶ IR 55x65x28	
	35	26	0,3	0,05	▶ IR 30x35x26		60	68	25	1	0,15	IR 60x68x25
	35	30	0,3	0,059	▶ IR 30x35x30	68		35	0,6	0,21	▶ IR 60x68x35	
	37	22	0,6	0,062	IR 30x37x22	68		45	1	0,28	▶ IR 60x68x45	
32	37	20	0,3	0,042	IR 32x37x20	70	70	25	1	0,2	▶ IR 60x70x25	
	37	30	0,3	0,062	▶ IR 32x37x30		70	28	1,1	0,22	▶ IR 60x70x28	
	40	20	0,6	0,068	IR 32x40x20		65	72	25	1	0,14	▶ IR 65x72x25
40	36	0,6	0,12	▶ IR 32x40x36	72	45		1	0,26	IR 65x72x45		
35	40	12,5	0,3	0,027	LR 35x40x12.5	73		35	1	0,23	IR 65x73x35	
	40	16,5	0,3	0,037	LR 35x40x16.5	75	28	1,1	0,23	▶ IR 65x75x28		
	40	17	0,3	0,038	IR 35x40x17		70	80	25	1	0,22	▶ IR 70x80x25
	40	20	0,3	0,044	▶ IR 35x40x20			80	30	1	0,27	IR 70x80x30
	40	20,5	0,3	0,046	▶ IR 35x40x20.5	80		35	1	0,31	▶ IR 70x80x35	
	40	20,5	0,3	0,046	LR 35x40x20.5	80	54	1	0,49	▶ IR 70x80x54		
	40	30	0,3	0,067	▶ IR 35x40x30		75	85	25	1	0,24	IR 75x85x25
	42	36	0,6	0,12	▶ IR 35x42x36			85	35	1	0,34	▶ IR 75x85x35
	43	22	0,6	0,082	IR 35x43x22	85		54	1	0,53	▶ IR 75x85x54	
	38	43	20	0,3	0,048	IR 38x43x20						
43		30	0,3	0,074	IR 38x43x30							

▶ Popular item



7.11 Needle roller bearing inner rings

d 80 – 240 mm



Dimensions				Mass	Designation	Dimensions				Mass	Designation	
d	F	B	r, r _{1,2} min.			d	F	B	r, r _{1,2} min.			
mm				kg	–	mm				kg	–	
80	90	25	1	0,25	▶ IR 80x90x25	200	220	50	1,5	2,5	▶ IR 200x220x50	
	90	30	1	0,3	▶ IR 80x90x30							
	90	35	1	0,36	▶ IR 80x90x35							
	90	54	1	0,56	▶ IR 80x90x54							
85	95	26	1	0,28	▶ IR 85x95x26	220	240	50	1,5	2,75	▶ IR 220x240x50	
	95	36	1	0,39	IR 85x95x36							
	100	35	1,1	0,58	▶ IR 85x100x35							
	100	63	1,1	1,05	IR 85x100x63							
90	100	26	1	0,29	▶ IR 90x100x26	240	265	60	2	4,6	IR 240x265x60	
	100	30	1	0,34	IR 90x100x30							
	100	36	1	0,41	▶ IR 90x100x36							
	105	35	1,1	0,61	▶ IR 90x105x35							
95	105	26	1	0,31	IR 95x105x26							
100	110	40	1,1	0,51	▶ IR 100x110x40							
	115	40	1,1	0,8	▶ IR 100x115x40							
110	120	30	1	0,41	▶ IR 110x120x30							
	125	40	1,1	0,84	▶ IR 110x125x40							
120	130	30	1	0,44	▶ IR 120x130x30							
	135	45	1,1	1,05	▶ IR 120x135x45							
130	145	35	1,1	0,86	▶ IR 130x145x35							
	150	50	1,5	1,7	▶ IR 130x150x50							
140	155	35	1,1	0,92	▶ IR 140x155x35							
	160	50	1,5	1,8	▶ IR 140x160x50							
150	165	40	1,1	1,1	▶ IR 150x165x40							
160	175	40	1,1	1,2	▶ IR 160x175x40							
170	185	45	1,1	1,45	▶ IR 170x185x45							
180	195	45	1,1	1,5	▶ IR 180x195x45							
190	210	50	1,5	2,4	▶ IR 190x210x50							

▶ Popular item





Tapered roller bearings



8 Tapered roller bearings

Designs and variants	669	Bearing designations	691
Single row tapered roller bearings	669	Metric bearings	691
Basic design bearings	669	Inch bearings	691
Application-specific bearings	669	Designation system	692
Bearings with a flanged outer ring	670	Product tables	
Matched tapered roller bearings	670	8.1 Metric single row tapered roller bearings	694
Matched bearings arranged face-to-face	670	8.2 Inch single row tapered roller bearings	714
Matched bearings arranged back-to-back	670	8.3 Single row tapered roller bearings with a flanged outer ring	742
Matched bearings arranged in tandem	671	8.4 Matched bearings arranged face-to-face	744
Double row tapered roller bearings	671	8.5 Matched bearings arranged back-to-back	754
TDO design bearings	671	8.6 Matched bearings arranged in tandem	760
TDI design bearings	672	8.7 Double row tapered roller bearings, TDO design ..	762
Variants/features	674	8.8 Double row tapered roller bearings, TDI design ...	766
SKF Explorer bearings	675		
Cages	675		
Bearing data	676		
(Dimension standards, tolerances, internal clearance, preload, permissible misalignment)			
Loads	680		
(Minimum load, equivalent dynamic bearing load, equivalent static bearing load)			
Calculating the axial load for bearings mounted singly or paired in tandem	681		
Calculating the radial load acting on matched bearings ...	683		
Comparative load ratings for double row tapered roller bearings	685		
Temperature limits	685		
Permissible speed	686		
Design considerations	687	Other tapered roller bearings	
Single row and matched tapered roller bearings	687	Bearings with Solid Oil	1023
Adjustment procedure	687	Four-row tapered roller bearings. ... → skf.com/bearings	
Fits	687	INSOCOAT bearings	→ contact SKF
Mounting	690	NoWear coated bearings	→ contact SKF
Double row tapered roller bearings	690	Hub units for industrial, automotive, railway and off-highway applications ... → contact SKF	
Load zone	690		

8 Tapered roller bearings

More information

General bearing knowledge 17

Bearing selection process 59

Lubrication 109

Bearing interfaces 139

Seat tolerances for standard conditions 148

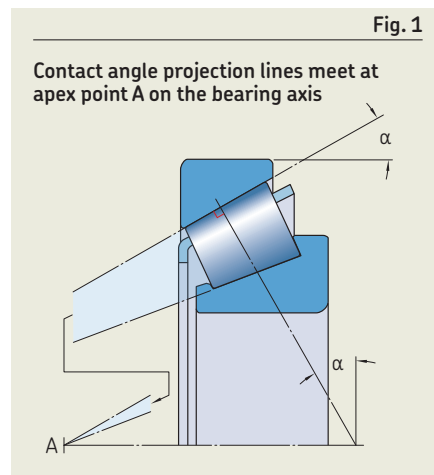
Selecting internal clearance or preload 182

Sealing, mounting and dismounting 193

Mounting instructions for individual bearings → skf.com/mount

SKF bearing maintenance handbook ISBN 978-91-978966-4-1

Tapered roller bearings have tapered inner and outer ring raceways as well as tapered rollers. They are designed to accommodate combined loads, i.e. simultaneously acting radial and axial loads. The projection lines of the raceways meet at a common point on the bearing axis (apex point A, **fig. 1**) to provide a true rolling action and therefore low frictional moments during operation. The axial load carrying capacity of tapered roller bearings increases with increasing contact angle α . The size of the contact angle, which is usually between 10° and 30° , is related to the calculation factor e (**product tables, page 694**); the larger the value of e , the larger the contact angle.



Bearing features

- **Low friction**

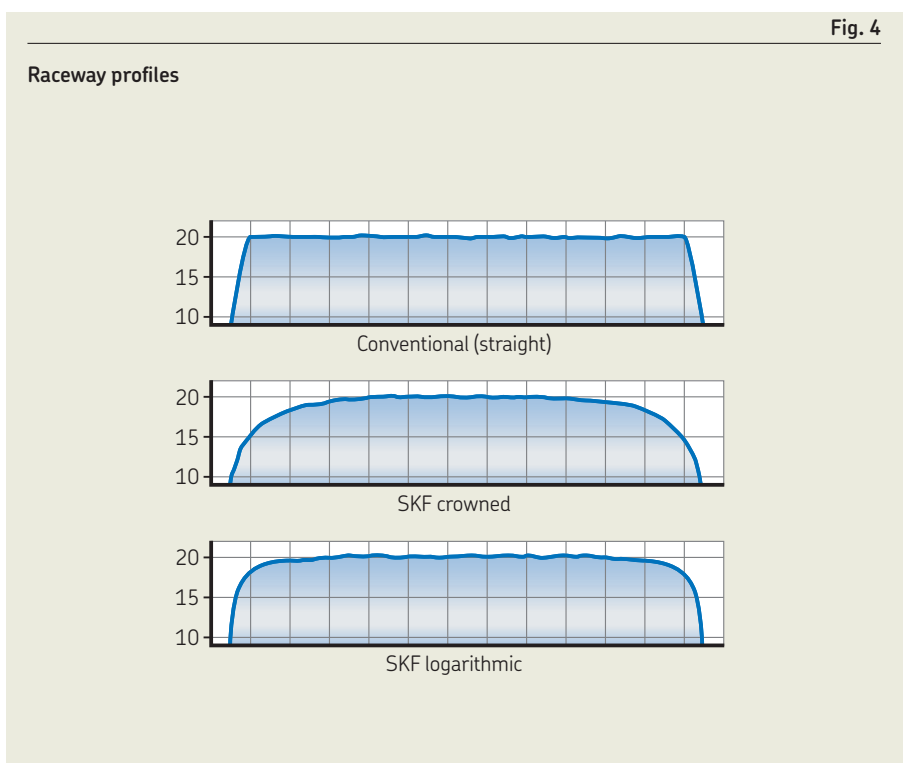
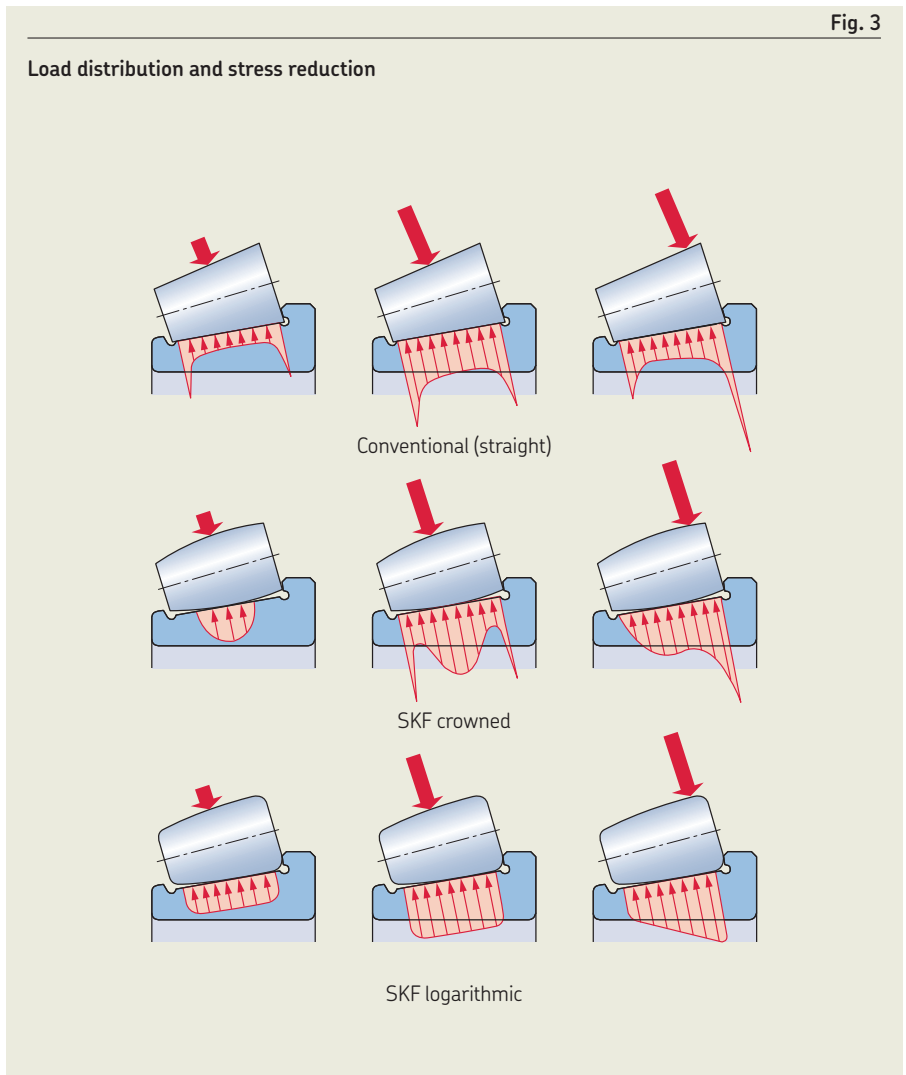
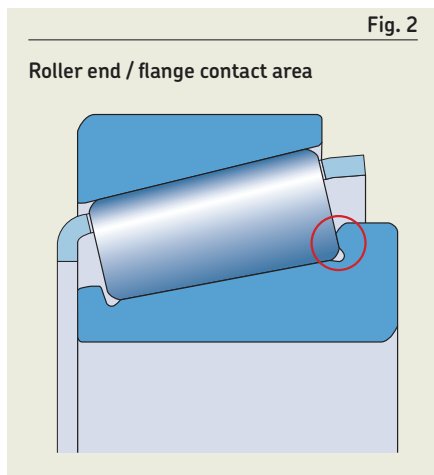
The optimized roller end design and surface finish on the flange (fig. 2) promote lubricant film formation, resulting in lower friction. This also reduces frictional heat and flange wear. In addition, the bearings can better maintain preload and run at reduced noise levels.

- **Long service life**

The crowned raceway profiles of basic design bearings and the logarithmic raceway profiles of SKF Explorer bearings optimize the load distribution along the contact surfaces, reduce stress peaks at the roller ends (fig. 3), and reduce the sensitivity to misalignment and shaft deflection compared with conventional straight raceway profiles (fig. 4).

- **Enhanced operational reliability**

Optimized surface finish on the contact surfaces of the rollers and raceways supports the formation of a hydrodynamic lubricant film.



8 Tapered roller bearings

- **Consistency of roller profiles and sizes**

The rollers incorporated in SKF tapered roller bearings are manufactured to such close dimensional and geometrical tolerances that they are practically identical. This provides optimal load distribution, reduces noise and vibration, and enables preload to be set more accurately.

- **Rigid bearing application**

A single row tapered roller bearing is typically adjusted against a second tapered roller bearing. By applying a preload, a rigid bearing application can be achieved.

- **Running-in period with reduced temperature peaks**

Tapered roller bearings typically have a running-in period, during which a conventional design tapered roller bearing experiences a significant amount of friction, resulting in wear. This effect is noticed as a temperature spike (diagram 1). With SKF tapered roller bearing designs, friction, frictional heat and wear are significantly reduced, provided the bearings are mounted and lubricated correctly.

- **Separable and interchangeable**

Depending on the design, tapered roller bearings are separable and components of same-sized bearings are fully interchangeable. For example, single row tapered roller bearings are separable (fig. 5), i.e. the inner ring with roller and cage assembly (cone) can be mounted separately from the outer ring (cup). This facilitates mounting, dismounting and also maintenance inspection routines.

SKF manufactures tapered roller bearings in many designs, series and sizes. In addition to the bearings presented in this catalogue, SKF supplies tapered roller bearings for special application requirements. This assortment includes:

- *Four-row tapered roller bearings*
→ skf.com/bearings
- hub units for industrial, automotive, railway and off-highway applications
→ contact SKF

On request, SKF can also supply customized tapered roller bearings for various operating conditions to meet the customer and application requirements.

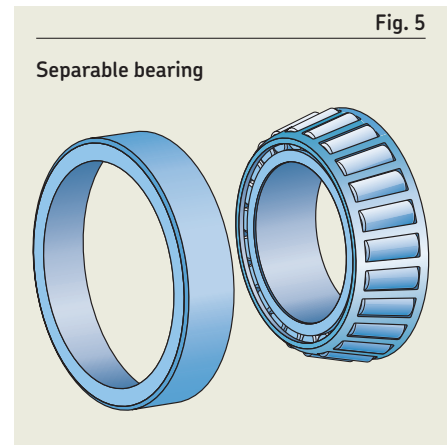
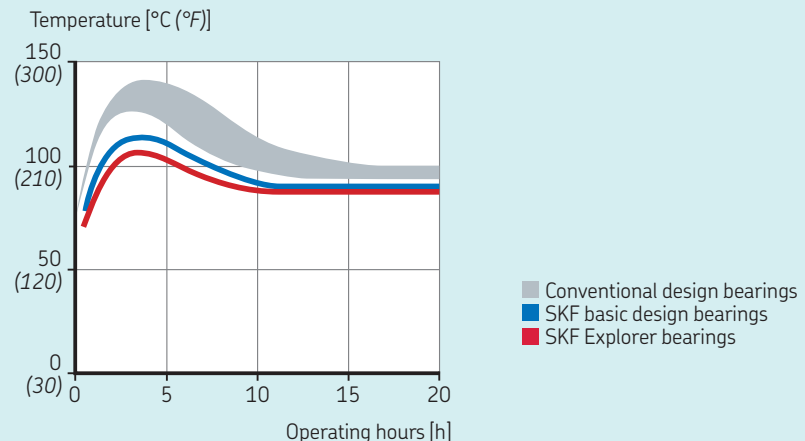


Diagram 1

Typical temperature behaviour of tapered roller bearings during the running-in period (approximate values)



Designs and variants

Single row tapered roller bearings

SKF single row tapered roller bearings (fig. 6) are available in many designs and variants and in many series and sizes, including:

- basic design bearings
- application-specific bearings
- bearings with a flanged outer ring
- SKF Explorer bearings (page 675)

Basic design bearings

- have a design and internal geometry that provide long service life
- have crowned raceway profiles and an optimized surface finish of the inner ring guide flange that enables them to run cooler and consume less lubricant than conventional design bearings
- have load rating values that are in accordance with ISO and even above (product tables, page 762)
- offer a cost-effective solution for standard industrial applications

On request, SKF can also supply any inner ring with roller and cage assembly (cone) or any outer ring (cup) separately (fig. 7).

Application-specific bearings

For applications where the bearings are subjected to unique operating conditions, SKF manufactures customized single row tapered roller bearings on request. To meet the needs of these particular applications, SKF manufactures, for example, pinion or low-friction bearings with the following features:

Pinion bearings

- are designed for pinion shafts in the differentials of automotive transmissions to provide a constant, accurate gear mesh
- have very narrow geometrical tolerances and high preload capability
- have special friction characteristics and can be axially adjusted within narrow limits using the friction-torque method
- have an internal design that supports the formation of a hydrodynamic lubricant film to substantially reduce friction, and consequently the operating temperature, during the running-in period
- retain their preload setting when mounted, lubricated and maintained properly
- are identified by the designation suffix CL7C

Low-friction bearings

- are designed to meet the ever-increasing demands to reduce friction and energy use
- optimize a reduction in friction through their internal geometry, number of rollers, surface finish and redesign of their cage
- have a frictional moment that is at least 30% lower when compared with a same-sized SKF standard bearing
- normally do not need a running-in procedure because their optimized contact profiles provide optimum load distribution and they experience only a small, controlled loss of initial preload
- generate less frictional heat and therefore enable extended lubrication intervals or operation at higher speeds
- have a roller and cage assembly with a lower mass and therefore reduced inertial forces in the bearing, which reduce the risk of skidding and smearing
- are typically used in automotive and industrial transmissions

Fig. 6

Single row tapered roller bearing

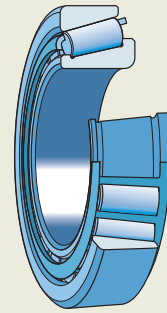


Fig. 7

Separately packed components



8 Tapered roller bearings

Bearings with a flanged outer ring

SKF also manufactures certain sizes of single row tapered roller bearings with a flange on the outer ring (fig. 8). These bearings are easy to locate axially in the housing. The housing bore can be manufactured more easily and more cost-effectively because housing shoulders are not required.

Matched tapered roller bearings

The SKF assortment of matched single row tapered roller bearings (fig. 9) is based on popular sizes of single row tapered roller bearings. Depending on the application requirements, matched tapered roller bearings are available in different designs and variants:

- matched bearings arranged face-to-face
- matched bearings arranged back-to-back
- matched bearings arranged in tandem
- basic design and SKF Explorer bearings (page 675)

The matched bearings listed in the product tables constitute the basic SKF assortment. SKF can supply other matched bearings on request.

Depending on the design, matched bearings can locate the shaft axially in both directions with a specific axial clearance or preload. Also depending on the design, these bearings can provide a relatively stiff bearing arrangement.

The bearings and ring spacer(s) are matched in production, are delivered as a set and are ready-to-mount.

Matched bearings arranged face-to-face

- have load lines that converge toward the bearing axis (fig. 10)
- can accommodate a limited amount of misalignment
- can accommodate axial loads in both directions
- are supplied with an intermediate outer ring spacer as a set

Matched bearings arranged back-to-back

- have load lines that diverge toward the bearing axis (fig. 11)
- provide a relatively stiff bearing arrangement
- can accommodate tilting moments
- can accommodate axial loads in both directions
- are supplied with intermediate inner and outer ring spacers as a set

Fig. 8

Bearing with a flanged outer ring

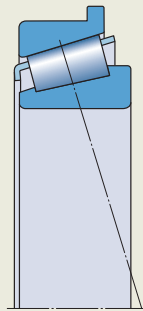


Fig. 9

Matched single row tapered roller bearings

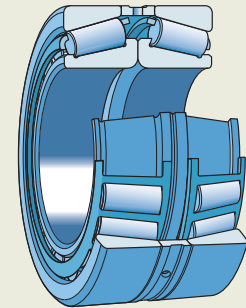


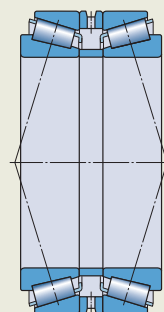
Fig. 10

Matched bearings arranged face-to-face



Fig. 11

Matched bearings arranged back-to-back



Matched bearings arranged in tandem

- have load lines that are parallel (fig. 12)
- share radial and axial loads equally
- are used when the load carrying capacity of a single bearing is inadequate
- can accommodate axial loads in one direction only
 - If axial loads act in both directions, a third bearing must be added and adjusted against the tandem pair.
- are supplied with intermediate inner and outer ring spacers as a set

Double row tapered roller bearings

SKF manufactures double row tapered roller bearings in the TDO (fig. 13) and TDI (fig. 14) designs, in many variants and with different features.

Depending on the design, these bearings can accommodate heavy radial loads, axial loads in both directions and have a high degree of stiffness. Therefore, they provide a stiff bearing arrangement and locate the shaft in both directions with a specific axial clearance or preload. Because of their second row of rollers, double row tapered roller bearings are suitable for heavy radial and axial loads.

Double row tapered roller bearings are typically used in gearboxes, hoisting equipment, rolling mills and machines in the mining industry, e.g. tunnelling machines.

TDO design bearings

- have one double row outer ring (double cup) and two inner rings with roller and cage assemblies (cones), usually with an intermediate ring between the two inner rings (fig. 13)
- have rows of rollers arranged back-to-back (load lines diverge toward the bearing axis), which enable stiff arrangements and accommodate considerable tilting moments
- are ready-to-mount units, manufactured with the predetermined axial clearance or preload
- can be used either as locating or non-locating bearings:
 - for non-locating arrangements, the axial displacement should take place between the outer ring and the housing bore
 - bearings with a blind hole or locating slot in the outer ring can be used with a cylindrical pin engaged in the hole or slot to prevent the outer ring from turning in its seat

SKF manufactures TDO design bearings in many variants (table 1, page 672).

Fig. 12

Matched bearings arranged in tandem

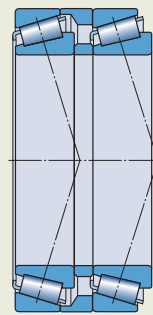


Fig. 13

TDO design

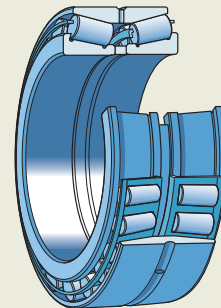
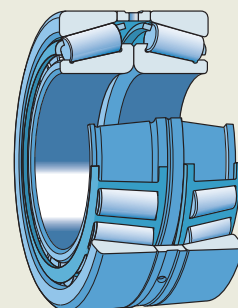


Fig. 14

TDI design



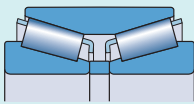
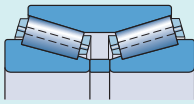
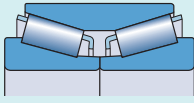
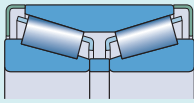
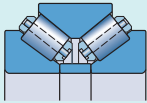
TDI design bearings

- have two outer rings (cups) and one double row inner ring with two roller and cage assemblies (double cone), usually with an intermediate ring between the two outer rings (fig. 14, page 671)
- have rows of rollers arranged face-to-face (load lines converge toward the bearing axis)
- are available open or capped with shields or seals
 - HNBR or FKM contact seal on both sides
- are ready-to-mount units, manufactured with the predetermined axial clearance or preload
- are designed primarily for use as locating bearings
- are available with a helical groove in the bore and/or lubrication grooves in the side faces of the bearing rings (fig. 15):
 - where a loose fit on the shaft is needed, these grooves counteract the disadvantage of a loose fit
 - when the inner ring turns on its seat under load, these grease-filled grooves enable lubricant to be supplied between the inner ring and seat surfaces
 - in addition, the grooves can absorb wear particles

SKF manufactures TDI design bearings in many variants (table 2).

Table 1

TDI design variants and characteristics

Design variant	Characteristics
TDO 	<ul style="list-style-type: none"> • intermediate ring between two inner rings • steel window-type cages
TD0.1 	<ul style="list-style-type: none"> • intermediate ring between two inner rings • steel pin-type cages (pierced rollers) for higher loads
TDON 	<ul style="list-style-type: none"> • without intermediate ring • inner rings abut each other • steel window-type cages
TD0/Z 	<ul style="list-style-type: none"> • intermediate ring between two inner rings • steel window-type cages • sheet steel shield on both sides
TDOS.1 	<ul style="list-style-type: none"> • steep contact angle α • for applications where high axial loads or high tilting moments occur in combination with radial loads • intermediate ring between two inner rings • steel pin-type cages (pierced rollers) for higher loads



⚠ WARNING

Seals made of FKM (fluoro rubber) exposed to an open flame or temperatures above 300 °C (570 °F) are a health and environmental hazard! They remain dangerous even after they have cooled.

Read and follow the safety precautions on page 197.

Fig. 15

Helical groove in the bore and lubrication grooves in the side faces of the bearing rings

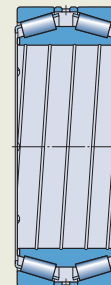
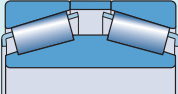
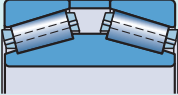
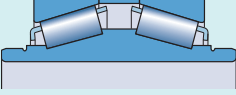
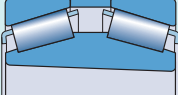
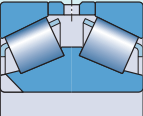
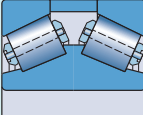
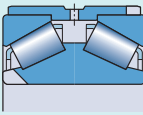


Table 2

TDI design variants and characteristics

Design variant	Characteristics
TDI 	<ul style="list-style-type: none"> • intermediate ring between two outer rings • steel window-type cages
TDI.1 	<ul style="list-style-type: none"> • intermediate ring between two outer rings • steel pin-type cages (pierced rollers) for higher loads
TDIE 	<ul style="list-style-type: none"> • intermediate ring between two outer rings • steel window-type cages • inner ring extensions at both sides <ul style="list-style-type: none"> – extensions are ground as counterface for seal lips
TDIT 	<ul style="list-style-type: none"> • intermediate ring between two outer rings • tapered bore, taper 1:12 • steel window-type cages
TDIS 	<ul style="list-style-type: none"> • steep contact angle α • for applications where high axial loads in combination with radial loads occur • intermediate ring between two outer rings • steel window-type cages • used in rolling mill applications with a loose fit on the roll neck and only subjected to purely axial load • the inner ring has one or more locating slots (notches) in one or both side faces to prevent it from turning on its seat • depending on the application, the bearings can be supplied with or without an intermediate ring between the two outer rings
TDIS.1 	<ul style="list-style-type: none"> • steep contact angle α • for applications where high axial loads in combination with radial loads occur • intermediate ring between two outer rings • steel pin-type cages (pierced rollers) for higher loads
TDIS.2 	<ul style="list-style-type: none"> • self-retaining unit with a retention sleeve over the outer rings • the outer rings are pressed into the sleeve • the deformation of the outer rings normally resulting from heavy axial loads is considerably reduced <ul style="list-style-type: none"> – as a consequence, the stress distribution in the rolling contacts is more favourable and extends bearing service life • the axial internal clearance is determined by the sleeve • preloading by means of springs is unnecessary • steep contact angle α • for applications where high axial loads in combination with radial loads occur • the simplified and economic design facilitates mounting, dismounting and also maintenance inspection routines



8 Tapered roller bearings

Optional TDI design bearings composed of four-row tapered roller bearing components

On request, TDI design bearings with dimensions different from those listed in the TDI design product table can be specially created as tailored double row bearings using standard components of SKF four-row tapered roller bearings in the TQO design, but without intermediate rings (TQO design, skf.com/go/17000-8-9). For example, it is possible to combine standard components as follows (fig. 16):

- two single row outer rings (cups)
- one double row inner ring (double cone)
- two roller and cage assemblies

This option may be advantageous as regards both price and delivery time and should be considered if sealed double row bearings are required, although this will require a non-standard inner ring. For details about this option, contact the SKF application engineering service.

Variants/features

SKF manufactures TDO and TDI design bearings in many variants and with different features. Bearing-related design variants and features are identified in the [product tables, page 762](#), under *Design variant/feature*. For other sizes, design variants or feature combinations not listed in the product tables, contact SKF. Design variants and features are identified by the following characters within designation suffixes:

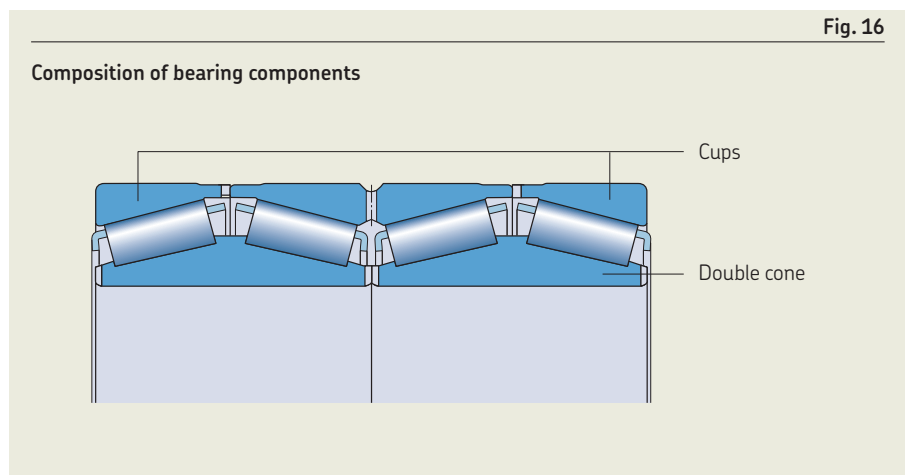
Design variants

- E** Extended inner ring
- N** Without intermediate ring
- S** Steep contact angle α
- T** Tapered bore, taper 1:12
- .1** Steel pin-type cages and pierced rollers
- .2** Retention sleeve over the outer rings

Features

(TDO → [fig. 17](#), TDI → [fig. 18](#))

- C** Outer ring with blind hole
- D** Outer ring with annular groove and lubrication holes (TDO), inner ring with annular groove and lubrication holes (TDI)
- D0** Outer ring with annular groove and lubrication holes, without intermediate ring
- D2** Outer ring with annular groove and lubrication holes, intermediate ring with lubrication holes
- D3** Outer ring with annular groove and lubrication holes, intermediate ring with annular groove and lubrication holes
- G** Helical groove in the inner ring bore
- N** Two locating slots (notches) at 180° in one side face of the inner ring
- N1** One locating slot in each side face of the inner ring, at 180° to slot in opposite side face
- N2** Two locating slots at 180° in both side faces of the inner ring, at 90° to slots in opposite side face
- TN9** Glass fibre reinforced PA66 cage
- V** Contact seals on both sides
- W** Lubrication grooves in the side faces of the bearing rings
- W1** Lubrication grooves in the side faces of the inner ring(s)
- W0** Lubrication grooves in the side faces of the outer ring(s)
- XD** Outer ring with lubrication holes
- Y** Bearing without intermediate ring between the outer rings
- Y2** Intermediate ring with annular groove and lubrication holes between the outer ring
- Z** Sheet steel shield on both sides



SKF Explorer bearings

SKF continuously expands its assortment of SKF Explorer bearings (page 7). In addition to the existing SKF Explorer tapered roller bearings (product tables, page 694), SKF can also manufacture basic design tapered roller bearings as SKF Explorer bearings, on request. These SKF Explorer tapered roller bearings are identified by the designation suffix PEX.

Cages

SKF single row and matched tapered roller bearings are fitted with one, double row tapered roller bearings are fitted with two of the cages shown in table 3. The standard stamped steel cage is not identified in the bearing designation. If non-standard cages are required, check availability prior to ordering.

When used at high temperatures, some lubricants can have a detrimental effect on polyamide cages. For information about the suitability of cages, refer to Cages, page 187.

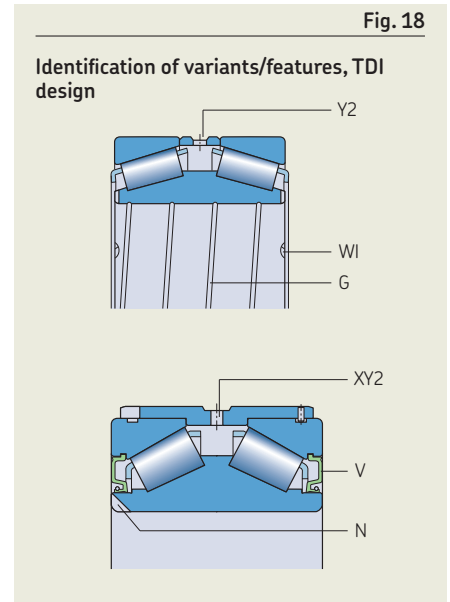
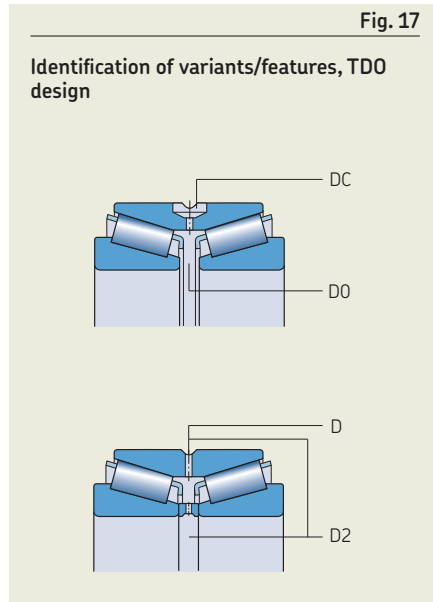


Table 3

Cages for tapered roller bearings

	Single row and matched bearings			Double row bearings		
Cage Type	Window-type, roller centred			Window-type, roller centred	Pin-type, pierced rollers	Window-type, roller centred
Material	Stamped steel	PA66, glass fibre reinforced	PEEK, glass fibre reinforced	Stamped steel	Machined steel	PA66, glass fibre reinforced
Suffix	-	TN9	TNH	-	.1	TN9

Bearing data

	Metric single row bearings	Inch single row bearings
Dimension standards	Boundary dimensions: ISO 355 Bearings with designation prefix J: ANSI/ABMA Standard 19.1	Boundary dimensions: AFBMA Standard 19 (ANSI B3.19) ANSI/ABMA Standard 19.2 has replaced the above standard, but does not include dimensions.
Tolerances	<ul style="list-style-type: none"> • Normal • tighter geometrical tolerances for bearings with designation suffix CL7C Bearings with designation prefix J: ANSI/ABMA Standard 19.1 Check availability of tighter width tolerance to 6 X tolerance class (designation suffix CLN) or P5 Values: ISO 492 (table 5, page 41 to table 7, page 43)	Check availability of CL3, CLO or tighter width tolerance Values: ANSI/ABMA Standard 19.2 (table 9, page 45) Deviating width tolerances for cups and cones are identified by a designation suffix (table 4, page 678).
For additional information → page 35	The inner ring with roller and cage assembly (cone) and outer ring (cup) with the same basic designation are interchangeable. The tolerance for the total abutment width T of the bearing is not exceeded if the cones and cups are interchanged.	
Internal clearance	Obtained after mounting, depending on adjustment against a second bearing.	
For additional information → page 182		
Preload	Obtained after mounting, depending on adjustment against a second bearing.	
For additional information → page 182		
Permissible misalignment	SKF Explorer bearings: ≈ 2 to 4 minutes of arc Where misalignment cannot be avoided, SKF recommends using only SKF Explorer bearings. The permissible angular misalignment between the inner and outer rings depends on the size and internal design of the bearing, the radial internal clearance in operation and the forces and moments acting on the bearing. As a result, only approximate values are listed here. Any misalignment increases bearing noise and reduces bearing service life.	

Matched bearings	Double row bearings
Boundary dimensions: ISO 355 (single bearing)	<ul style="list-style-type: none"> metric bearings: not standardized inch bearings: cones and cups dimensions of many inch bearings → AFBMA Standard 19 (ANSI B3.19) ANSI/ABMA Standard 19.2 has replaced the above standard, but does not include dimensions.
<ul style="list-style-type: none"> Normal tighter geometrical tolerances for bearings with designation suffix CL7C check availability of P5 <p>Values: ISO 492 (table 5, page 41, and table 7, page 43)</p> <p>Total width tolerances: not standardized (table 5, page 678)</p>	<ul style="list-style-type: none"> dimensional tolerances (except for width T): Normal geometrical tolerances: P5 <p>Values: ISO 492 (table 5, page 41, table 7, page 43, and table 9, page 45)</p>
<p>Standard (table 6, page 679)</p> <p>Other clearance values are identified by the designation suffix C followed by a three-digit number. For clearance values not listed in the product tables, contact SKF.</p> <p>Values are valid for unmounted bearing sets under measuring loads of:</p> <ul style="list-style-type: none"> $D \leq 90 \text{ mm}$ → 0,1 kN $90 < D \leq 240 \text{ mm}$ → 0,3 kN $D > 240 \text{ mm}$ → 0,5 kN 	<ul style="list-style-type: none"> bearings are ready-to-mount units with an axial internal clearance adapted for the actual application bearing components should be arranged in the prescribed order and may not be interchanged with components of another bearing designations with suffix C followed by a three- or four-digit number expresses mean value of the axial internal clearance in μm (for clearance values not listed in the product tables, contact SKF)
-	
<p>Where misalignment cannot be avoided, SKF recommends using a face-to-face arrangement.</p> <p>Any misalignment increases bearing noise and reduces bearing service life.</p>	<p>If misalignment cannot be avoided, SKF recommends using TDI design bearings (face-to-face arrangement). For information, contact the SKF application engineering service.</p> <p>Any misalignment increases bearing noise and reduces bearing service life.</p>



Table 4

Deviating width tolerances of cups and cones for inch bearings

Designation suffix	Width tolerance ¹⁾	
	$t_{\Delta Ts}$ U	L
–	μm	
/1	+25	0
/1A	+38	+12
/-1	0	-25
/11	+25	-25
/2	+50	0
/2B	+75	+25
/2C	+88	+37
/-2	0	-50
/22	+50	-55
/3	+75	0
/-3	0	-75
/4	+100	0

¹⁾ The total width tolerance for a complete bearing is equal to the sum of the tolerances for the cup and cone.

Table 5

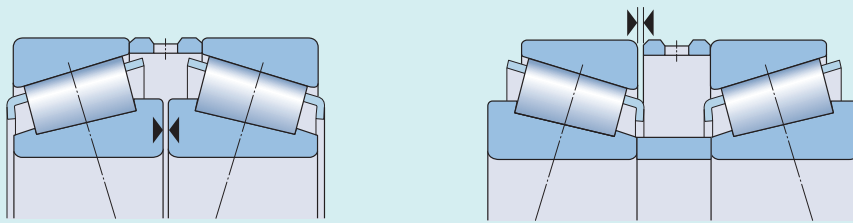
Total width tolerances of matched metric single row tapered roller bearings

Bore diameter d	Total width tolerance Δ_{TsD} of matched bearings in the series																
	329		320		330		331		302, 322		332		303, 323		313		
	Δ_{TsD} U	L	Δ_{TsD} U	L	Δ_{TsD} U	L	Δ_{TsD} U	L	Δ_{TsD} U	L	Δ_{TsD} U	L	Δ_{TsD} U	L	Δ_{TsD} U	L	
mm	μm																
–	30	–	–	+550	+50	–	–	–	–	+550	+100	+550	+100	+600	+100	+500	+50
30	40	+600	+150	+550	+100	–	–	+600	+100	+600	+100	+600	+100	+600	+100	+550	+50
40	50	+650	+150	+600	+100	+650	+150	+600	+100	+600	+100	+600	+100	+600	+150	+550	+50
50	65	+650	+200	+600	+100	+650	+200	+600	+150	+600	+150	+600	+150	+650	+150	+550	+100
65	80	+700	+200	+600	+150	+700	+250	+650	+150	+650	+150	+650	+150	+700	+200	+600	+100
80	100	+750	-150	+650	-250	+800	-50	+700	-200	+700	-200	+700	-200	+700	-200	+600	-300
100	120	+750	-150	+700	-200	+800	-100	+700	-200	+700	-200	+700	-200	+750	-150	+600	-300
120	140	+1 100	-200	+1 000	-300	+1 100	-200	–	–	+1 000	-300	–	–	+1 100	-200	+950	-350
140	160	+1 150	-150	+1 050	-250	+1 100	-200	–	–	+1 050	-250	–	–	+1 150	-150	+950	-350
160	180	+1 150	-150	+1 100	-200	–	–	–	–	+1 100	-200	–	–	+1 150	-150	–	–
180	190	+1 150	-150	+1 100	-200	–	–	–	–	+1 100	-200	–	–	+1 200	-100	–	–
190	200	+1 150	-150	+1 100	-200	–	–	–	–	+1 100	-200	–	–	+1 200	-100	–	–
200	225	+1 200	-100	+1 150	-150	–	–	–	–	+1 150	-150	–	–	+1 250	-50	–	–
225	250	+1 200	-100	+1 200	-100	–	–	–	–	+1 200	-100	–	–	+1 300	0	–	–
250	280	+1 300	0	+1 250	-50	–	–	–	–	+1 250	-50	–	–	–	–	–	–
280	300	+1 400	+100	+1 300	0	–	–	–	–	+1 300	0	–	–	–	–	–	–
300	315	+1 400	+100	+1 350	+50	–	–	–	–	+1 350	+50	–	–	–	–	–	–
315	340	+1 500	-200	+1 450	-250	–	–	–	–	+1 450	-250	–	–	–	–	–	–

Δ_{TsD} designates the deviation of a single total abutment width of a matched bearing set from the nominal.

Table 6

Axial internal clearance of matched metric single row tapered roller bearings, arranged face-to-face or back-to-back



Bore diameter d		Axial internal clearance of matched bearings in the series															
		329		320		330		331		302, 322		332		303, 323		313	
>	≤	min.	max.	min.	max.	min.	max.	min.	max.	min.	max.	min.	max.	min.	max.	min.	max.
mm		μm															
-	30	-	-	80	120	-	-	-	-	100	140	110	150	130	170	60	100
30	40	160	200	100	140	-	-	120	160	120	160	130	170	140	180	70	110
40	50	180	220	120	160	180	220	140	180	140	180	130	170	160	200	80	120
50	65	210	250	140	180	200	240	160	200	160	200	150	190	180	220	100	140
65	80	230	270	160	200	250	290	180	240	180	220	180	220	200	260	110	170
80	100	270	310	190	230	350	390	210	270	210	270	200	260	240	300	110	170
100	120	270	330	220	280	340	400	240	300	220	280	240	300	280	340	130	190
120	140	310	370	240	300	340	400	-	-	240	300	-	-	330	390	160	220
140	160	370	430	270	330	340	400	-	-	270	330	-	-	370	430	180	240
160	180	370	430	310	370	-	-	-	-	310	370	-	-	390	450	-	-
180	190	370	430	340	400	-	-	-	-	340	400	-	-	440	500	-	-
190	200	390	450	340	400	-	-	-	-	340	400	-	-	440	500	-	-
200	225	440	500	390	450	-	-	-	-	390	450	-	-	490	550	-	-
225	250	440	500	440	500	-	-	-	-	440	500	-	-	540	600	-	-
250	280	540	600	490	550	-	-	-	-	490	550	-	-	-	-	-	-
280	300	640	700	540	600	-	-	-	-	540	600	-	-	-	-	-	-
300	340	640	700	590	650	-	-	-	-	590	650	-	-	-	-	-	-

Loads

	Single row bearings	Matched bearings	Double row bearings
Minimum load For additional information → page 106	$F_{rm} = 0,02 C$ Except for SKF Explorer bearings: $F_{rm} = 0,017 C$		
Equivalent dynamic bearing load For additional information → page 91	$F_a/F_r \leq e \rightarrow P = F_r$ $F_a/F_r > e \rightarrow P = 0,4 F_r + Y F_a^{1)}$	Face-to-face or back-to-back arrangement $F_a/F_r \leq e \rightarrow P = F_r + Y_1 F_a$ $F_a/F_r > e \rightarrow P = 0,67 F_r + Y_2 F_a$ Tandem arrangement¹⁾ $F_a/F_r \leq e \rightarrow P = F_r$ $F_a/F_r > e \rightarrow P = 0,4 F_r + Y F_a$	$F_a/F_r \leq e \rightarrow P = F_r + Y_1 F_a$ $F_a/F_r > e \rightarrow P = 0,67 F_r + Y_2 F_a$
Equivalent static bearing load For additional information → page 105	$P_0 = F_r$ $P_0 < F_r \rightarrow P_0 = F_r$	Face-to-face or back-to-back arrangement $P_0 = F_r + Y_0 F_a$ $P_0 < F_r \rightarrow P_0 = F_r$ Tandem arrangement¹⁾ $P_0 = 0,5 F_r + Y_0 F_a$	$P_0 = F_r + Y_0 F_a$ $P_0 < F_r \rightarrow P_0 = F_r$
	Symbols C basic dynamic load rating [kN] (product tables , page 694) e calculation factor (product tables) F _a axial load [kN] F _r radial load [kN] F _{rm} minimum radial load [kN] P equivalent dynamic bearing load [kN] P ₀ equivalent static bearing load [kN] Y, Y ₀ , Y ₁ , Y ₂ calculation factors (product tables)		

¹⁾ When determining the axial load F_a, refer to *Calculating the axial load for bearings mounted singly or paired in tandem*.

Calculating the axial load for bearings mounted singly or paired in tandem

When a radial load is applied to a single row tapered roller bearing, the load is transmitted from one raceway to the other at an angle to the bearing axis and an internal axial load is induced. This should be considered when calculating the equivalent bearing loads for bearing applications consisting of two single bearing arrangements and/or bearing pairs arranged in tandem.

Necessary equations for various bearing applications and load cases are provided in [table 7, page 682](#). The equations are valid under the following conditions:

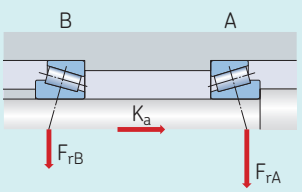
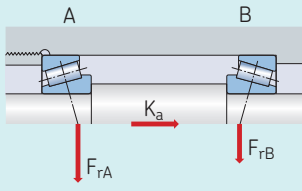
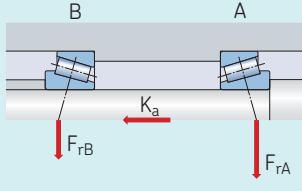
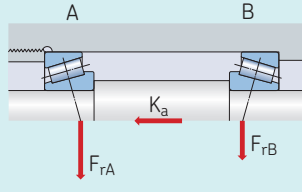
- the bearings are adjusted against each other to practically zero clearance, but without any preload
- bearing A is subjected to a radial load F_{rA} and bearing B to a radial load F_{rB}
- both F_{rA} and F_{rB} are always considered positive, even when they act in a direction opposite to that shown in the figures
- the radial loads act at the pressure centres of the bearings (distance a , refer to [product tables, page 694](#))

K_a is the external axial force acting on the shaft or on the housing. Load cases 1c and 2c are also valid when $K_a = 0$.

Values of the calculation factor Y are listed in the product tables.



Axial loading of bearing applications incorporating two single row tapered roller bearing arrangements and/or bearing pairs in tandem

Bearing arrangement	Load case	Axial loads	
Back-to-back 	Case 1a $\frac{F_{rA}}{Y_A} \geq \frac{F_{rB}}{Y_B}$ $K_a \geq 0$	$F_{aA} = \frac{0,5 F_{rA}}{Y_A}$	$F_{aB} = F_{aA} + K_a$
Face-to-face 	Case 1b $\frac{F_{rA}}{Y_A} < \frac{F_{rB}}{Y_B}$ $K_a \geq 0,5 \left(\frac{F_{rB}}{Y_B} - \frac{F_{rA}}{Y_A} \right)$	$F_{aA} = \frac{0,5 F_{rA}}{Y_A}$	$F_{aB} = F_{aA} + K_a$
	Case 1c $\frac{F_{rA}}{Y_A} < \frac{F_{rB}}{Y_B}$ $K_a < 0,5 \left(\frac{F_{rB}}{Y_B} - \frac{F_{rA}}{Y_A} \right)$	$F_{aA} = F_{aB} - K_a$	$F_{aB} = \frac{0,5 F_{rB}}{Y_B}$
Back-to-back 	Case 2a $\frac{F_{rA}}{Y_A} \leq \frac{F_{rB}}{Y_B}$ $K_a \geq 0$	$F_{aA} = F_{aB} + K_a$	$F_{aB} = \frac{0,5 F_{rB}}{Y_B}$
Face-to-face 	Case 2b $\frac{F_{rA}}{Y_A} > \frac{F_{rB}}{Y_B}$ $K_a \geq 0,5 \left(\frac{F_{rA}}{Y_A} - \frac{F_{rB}}{Y_B} \right)$	$F_{aA} = F_{aB} + K_a$	$F_{aB} = \frac{0,5 F_{rB}}{Y_B}$
	Case 2c $\frac{F_{rA}}{Y_A} > \frac{F_{rB}}{Y_B}$ $K_a < 0,5 \left(\frac{F_{rA}}{Y_A} - \frac{F_{rB}}{Y_B} \right)$	$F_{aA} = \frac{0,5 F_{rA}}{Y_A}$	$F_{aB} = F_{aA} - K_a$

Calculating the radial load acting on matched bearings

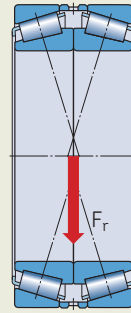
When matched tapered roller bearings, arranged face-to-face or back-to-back, are mounted together with a third bearing, the bearing arrangement is statically indeterminate. In these cases, the radial load F_r acting on the bearing pair must be calculated first.

Matched bearings arranged face-to-face

For matched bearings, where two bearings are arranged face-to-face (fig. 19), it can be assumed that the radial load acts at the geometric centre of the matched bearings, as the distance between the pressure centres of the two bearings is short when compared with the distance between the geometric centres of the set and the other bearing. In this case, it can be assumed that the bearing arrangement is statically determined.

Fig. 19

Matched bearings arranged face-to-face, radial load



8 Tapered roller bearings

Matched bearings arranged back-to-back

The distance a between the pressure centres of two matched bearings arranged back-to-back is significant when compared with the distance L between the geometric centres of the matched bearings and the other bearing (fig. 20). Therefore, it is necessary to calculate the magnitude of the load acting on the bearing pair and also the distance a_1 at which the load acts. The magnitude of the radial load can be obtained using:

$$F_r = \frac{L_1}{L - a_1} K_r$$

where

F_r = radial load acting on a bearing pair [kN]

K_r = radial force acting on the shaft [kN]

L = distance between the geometric centres of the two bearing positions [mm]

L_1 = distance between the centre of bearing position I and the point of action of the force K_r [mm]

a = distance between the bearing pressure centres [mm] (product table, page 754)

a_1 = distance between the geometric centre of the matched bearings and the point of action of the radial load F_r [mm]

- **diagram 2**

- calculation factor Y_2 , product table

The distance a_1 can be determined from diagram 2 by making an initial assumption for F_r and if necessary followed by several iterative calculations.

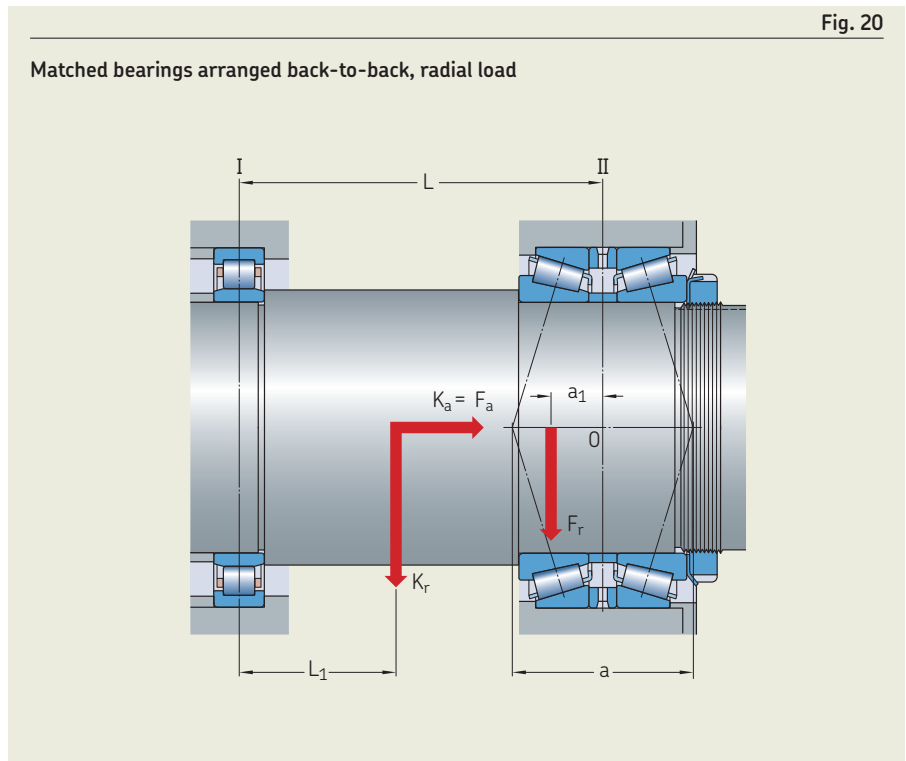
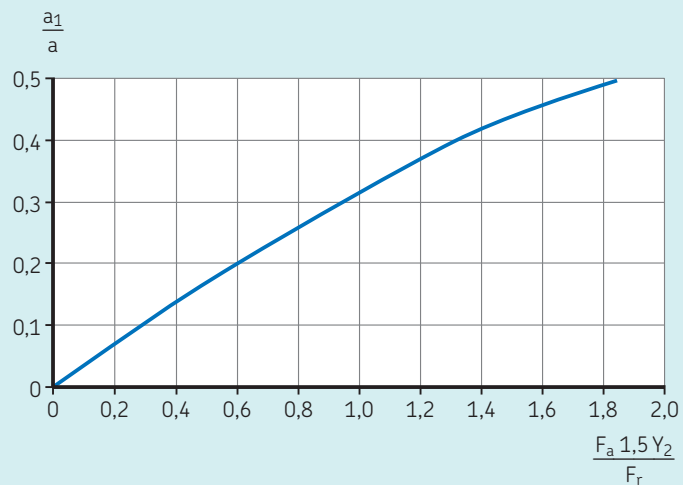


Fig. 20

Matched bearings arranged back-to-back, radial load

Diagram 2

Distance of point of action of radial load



Comparative load ratings for double row tapered roller bearings

For rolling mill applications, load ratings are not necessarily calculated according to ISO 281. Instead, they are often calculated by a different method based on a rating life of 90 million revolutions (500 r/min for 3 000 operating hours). Therefore, for double row tapered roller bearings these comparative load ratings are provided in the product tables because a direct comparison between the comparative and ISO load ratings is not possible, even if the comparative ratings are converted for 1 million revolutions (ISO life definition).

These comparative load ratings may not be used to calculate an ISO rating life. They may only be used together with the comparative rating life and equivalent load equations specified as follows:

$$L_{F10} = 90 \left(\frac{C_F}{P_F} \right)^{10/3}$$

or

$$L_{F10h} = \left(\frac{C_F}{P_F} \right)^{10/3} \left(\frac{1\,500\,000}{n} \right)$$

where

L_{F10} = comparative rating life [million revolutions]

L_{F10h} = comparative rating life [operating hours]

C_F = comparative dynamic load rating to give a rating life of 90 million revolutions [kN] ([product tables](#), [page 762](#))

P_F = comparative equivalent dynamic bearing load [kN] ([table 8](#), [page 686](#))

n = constant rotational speed [r/min]

Temperature limits

The permissible operating temperature for tapered roller bearings can be limited by:

- the dimensional stability of the bearing rings and rollers
- the cages
- the seals
- the lubricant

Where temperatures outside the permissible range are expected, contact SKF.

Bearing rings and rollers

SKF single row and matched tapered roller bearings are heat stabilized up to:

- $D \leq 160$ mm → 120 °C (250 °F)
- $D > 160$ mm → 150 °C (300 °F)

SKF double row tapered roller bearings are heat stabilized up to 150 °C (300 °F).

Seals

The permissible operating temperature for seals depends on the seal material:

- HNBR: -40 to +150 °C (-40 to +300 °F)
- FKM: -30 to +200 °C (-20 to +390 °F)

Typically, temperature peaks are at the seal lip.

Cages

Steel or PEEK cages can be used at the same operating temperatures as the bearing rings and rollers. For temperature limits of cages made of other polymer materials, refer to *Polymer cages*, [page 188](#).

Lubricants

For temperature limits of SKF greases, refer to *Selecting a suitable SKF grease*, [page 116](#).

When using lubricants not supplied by SKF, temperature limits should be evaluated according to the SKF traffic light concept ([page 117](#)).



Permissible speed

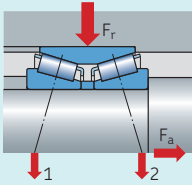
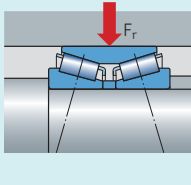
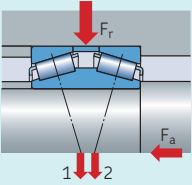
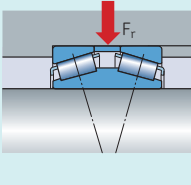
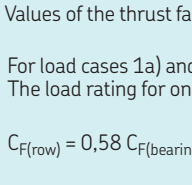
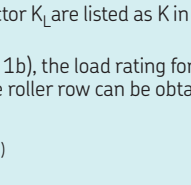
The speed ratings in the [product tables](#) indicate:

- the **reference speed**, which enables a quick assessment of the speed capabilities from a thermal frame of reference
- the **limiting speed**, which is a mechanical limit that should not be exceeded unless the bearing design and the application are adapted for higher speeds

For additional information, refer to *Operating temperature and speed*, [page 130](#).

Table 8

Equivalent dynamic bearing load P_F for calculating comparative rating life

Bearing arrangement	Load case	Comparative equivalent dynamic radial load
  Locating Non-locating	1a) $F_a \leq 0,6 F_{rL}/K_L$	$P_{FL1} = 0,5 F_{rL} + 0,83 K_L F_a$ $P_{FL2} = 0,5 F_{rL} - 0,83 K_L F_a$ $P_{FN} = F_{rN}$
  Locating Non-locating	1b) $F_a > 0,6 F_{rL}/K_L$	$P_{FL1} = 0,4 F_{rL} + K_L F_a$ $P_{FL2} = 0$ $P_{FN} = F_{rN}$
  Locating Non-locating	1c) $F_a = 0$	$P_{FL1} = F_{rL}$ $P_{FN} = F_{rN}$

Values of the thrust factor K_L are listed as K in the product tables.

For load cases 1a) and 1b), the load rating for one roller row needs to be applied when using P_{FL} . The load rating for one roller row can be obtained from

$$C_{F(row)} = 0,58 C_{F(bearing)}$$

Design considerations

Single row and matched tapered roller bearings

Single row tapered roller bearings must be used either with a second bearing (fig. 21) or as a matched pair (fig. 10, page 670, and fig. 11, page 670). The bearings must be adjusted against each other until the requisite clearance or preload is obtained (*Selecting preload*, page 186).

When the operating clearance in a bearing arrangement is too large, the load carrying capacity of both bearings cannot be fully utilized. Excessive preload increases friction, which increases the amount of frictional heat and reduces bearing service life.

Adjustment procedure

When adjusting tapered roller bearings against each other, the bearings must be rotated so that the rollers assume their correct position, i.e. the large end face of the rollers must be in contact with the guide flange.

Fits

Inch bearings

In contrast to metric bearings, which are machined to a minus tolerance, inch bearings are machined to a plus tolerance (table 9, page 45). Therefore, the deviations for shaft and housing diameters for metric bearings are not applicable. Suitable shaft and housing fits for inch tapered roller bearings are provided in table 9, page 688, and table 10, page 689. These fits are valid for bearings with Normal tolerances in typical applications.

Matched bearings

The axial internal clearance of matched bearings arranged face-to-face or back-to-back (table 6, page 679) provides an appropriate operating clearance when the bearings are mounted on shafts machined to:

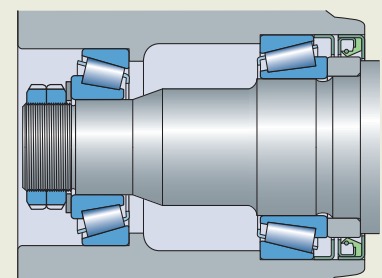
- $d \leq 50 \text{ mm}$ → m5[Ⓔ]
- $50 \text{ mm} < d \leq 140 \text{ mm}$ → m6[Ⓔ]
- $140 \text{ mm} < d \leq 200 \text{ mm}$ → n6[Ⓔ]
- $d > 200 \text{ mm}$ → p6[Ⓔ]

SKF recommends these shaft seat tolerance classes for rotating loads on the inner ring where $P \leq 0,06 C$. If tighter fits are selected, be sure that the bearings are not preloaded and are able to rotate freely. The reduction of internal clearance caused by axial locating forces should also be taken into consideration.

For stationary outer ring loads, SKF recommends housing bore tolerance classes J6[Ⓔ] or H7[Ⓔ].

Fig. 21

Single bearings mounted back-to-back



Shaft diameter deviations for inch tapered roller bearings with Normal tolerances

Nominal diameter		Deviations for fits clearance/interference in accordance with											
>	≤	f6 [Ⓔ]		g6 [Ⓔ]		h6 [Ⓔ]		j6 [Ⓔ]		k6 [Ⓔ]		m6 [Ⓔ]	
		U	L	U	L	U	L	U	L	U	L	U	L
mm	μm												
10	18	–	–	2	–4	8	2	16	10	20	14	–	–
18	30	–	–	3	–7	10	0	19	9	25	15	–	–
30	50	–	–	3	–12	12	–3	23	8	30	15	–	–
50	76,2	–	–	5	–16	15	–6	27	6	–	–	45	24
80	120	–	–	8	–9	20	3	33	16	–	–	55	38
120	180	–	–	11	–14	25	0	39	14	–	–	65	40
180	250	–	–	15	–19	30	–4	46	12	–	–	–	–
250	304,8	–	–	18	–24	35	–7	51	9	–	–	–	–
315	400	–22	–47	22	–3	40	15	58	33	–	–	–	–
400	500	–23	–57	25	–9	45	11	65	31	–	–	–	–
500	609,6	–26	–69	28	–15	50	7	72	29	–	–	–	–
630	800	–5	–54	51	2	75	26	100	51	–	–	–	–
800	914,4	14	–66	74	6	100	20	128	48	–	–	–	–

Nominal diameter		Deviations for fits clearance/interference in accordance with											
>	≤	n6 [Ⓔ]		p6 [Ⓔ]		r6 [Ⓔ]		r7 [Ⓔ]		r6 [Ⓔ] + IT6		r7 [Ⓔ] + IT7	
		U	L	U	L	U	L	U	L	U	L	U	L
mm	μm												
50	76,2	54	33	–	–	–	–	–	–	–	–	–	–
80	100	65	48	79	62	–	–	–	–	–	–	–	–
100	120	65	48	79	62	–	–	–	–	–	–	–	–
120	140	77	52	93	68	113	88	–	–	–	–	–	–
140	160	77	52	93	68	115	90	–	–	–	–	–	–
160	180	77	52	93	68	118	93	–	–	–	–	–	–
180	200	–	–	109	75	136	102	–	–	–	–	–	–
200	225	–	–	109	75	139	105	–	–	–	–	–	–
225	250	–	–	109	75	143	109	–	–	–	–	–	–
250	280	–	–	123	81	161	119	–	–	–	–	–	–
280	304,8	–	–	–	–	165	123	–	–	–	–	–	–
315	355	–	–	–	–	184	159	–	–	220	195	–	–
355	400	–	–	–	–	190	165	–	–	226	201	–	–
400	450	–	–	–	–	211	177	–	–	251	217	–	–
450	500	–	–	–	–	217	183	–	–	257	223	–	–
500	560	–	–	–	–	–	–	270	201	288	245	340	271
560	609,6	–	–	–	–	–	–	275	206	293	250	345	276
630	710	–	–	–	–	–	–	330	251	350	301	410	331
710	800	–	–	–	–	–	–	340	281	360	311	420	341
800	900	–	–	–	–	–	–	400	286	422	342	490	376

For nominal diameter ranges not listed or higher requirements on accuracy, contact the SKF application engineering service.

Table 10

Housing bore diameter deviations for inch bearings with Normal tolerances

Nominal diameter		Deviations for fits clearance/interference in accordance with									
>	≤	F6 [Ⓔ]		G6 [Ⓔ]		H7 [Ⓔ]		H8 [Ⓔ]		J7 [Ⓔ]	
		U	L	U	L	U	L	U	L	U	L
mm		μm									
30	50	–	–	–	–	36	25	50	25	25	14
50	80	–	–	–	–	43	25	59	25	31	13
80	120	–	–	–	–	50	25	69	25	37	12
120	150	–	–	–	–	58	25	81	25	44	11
150	180	–	–	–	–	65	25	88	25	51	11
180	250	–	–	–	–	76	25	102	25	60	9
250	304,8	–	–	104	42	87	25	116	25	71	9
304,8	315	–	–	104	68	87	51	116	51	71	35
315	400	–	–	115	69	97	51	129	51	79	33
400	500	–	–	128	71	108	51	142	51	88	31
500	609,6	196	127	142	73	120	51	160	51	–	–
609,6	630	196	152	142	98	120	76	160	76	–	–
630	800	235	156	179	100	155	76	200	76	–	–
800	914,4	276	162	216	102	190	76	240	76	–	–
914,4	1 000	276	188	216	128	190	102	240	102	–	–
1 000	1 219,2	328	200	258	130	230	102	290	102	–	–

Nominal diameter		Deviations for fits clearance/interference in accordance with							
>	≤	K7 [Ⓔ]		M7 [Ⓔ]		N7 [Ⓔ]		P7 [Ⓔ]	
		U	L	U	L	U	L	U	L
mm		μm							
30	50	18	7	11	0	3	–8	–6	–17
50	80	22	4	13	–5	4	–14	–8	–26
80	120	25	0	15	–10	5	–20	–9	–34
120	150	30	–3	18	–15	6	–27	–10	–43
150	180	37	–3	25	–15	13	–27	–3	–43
180	250	43	–8	30	–21	16	–35	–3	–54
250	304,8	51	–11	35	–27	21	–41	–1	–63
304,8	315	51	15	35	–1	21	–15	–1	–37
315	400	57	11	40	–6	24	–22	–1	–47
400	500	63	6	45	–12	28	–29	0	–57
500	609,6	50	–19	24	–45	6	–63	–28	–97
609,6	630	50	6	24	–20	6	–38	–28	–72
630	800	75	–4	45	–34	25	–54	–13	–92
800	914,4	100	–14	66	–48	44	–70	0	–114
914,4	1 000	100	12	66	–22	44	–44	0	–88
1 000	1 219,2	125	–3	85	–43	59	–69	5	–123

For higher requirements on accuracy, contact the SKF application engineering service.



Mounting

Double row tapered roller bearings

Depending on their design, components of double row tapered roller bearings can also be mounted separately. The individual rings of one bearing must be mounted in the correct order and position. They must also not be mixed with those of another bearing when several bearings are mounted at the same time. Therefore, some precautions have been taken to ease mounting:

- Components of one bearing are marked with letters that indicate their correct order and position (fig. 22).
- All components of one bearing are marked with the same serial number.

Special care should be taken not to deform or compress the relatively thin-walled intermediate rings when mounting smaller TDI design bearings. This can happen, for example, when tightening the cover screws and can have a negative impact on the axial clearance or the preload. Therefore, SKF recommends applying a cover with a centring spigot that is appropriate to the widths of the bearing and the housing seat.

If the knowledge and experience required to mount double row tapered roller bearings is unavailable, especially where large bearings are concerned, SKF recommends that the assistance of SKF service personnel be requested. Further details of the SKF mounting service are available on request.

Load zone

In the majority of rolling mill applications, the direction of a radial load is constant. Depending on the ratio between axial and radial loads, usually only approximately one quarter of the outer ring raceway is under load. Therefore (fig. 23):

- Outer rings are divided into four zones identified by a marking I to IV on the outer ring side faces, on request.
- Markings for zone I are also joined by a line across the outside surface.
- For initial mounting, zone I (line across the outside surface) should be positioned in the direction of the load.
- Depending on the operating conditions, after a period of service the outer rings should be turned through 90° so that a new (the next) zone becomes the loaded zone.

Fig. 22

Components are marked with letters that indicate their correct order and position

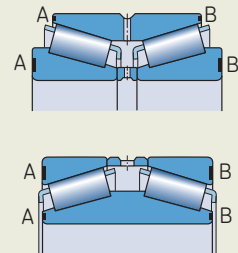
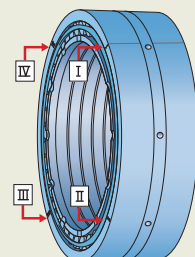


Fig. 23

Side face of the outer ring divided into four zones by a marking I to IV and marking of zone I by a line across the outside surface



Bearing designations

Metric bearings

The designations of metric tapered roller bearings follow one of the following principles:

- The series designations in accordance with ISO 355 consist of a digit and two letters. The digit represents the contact angle. The two letters represent the diameter and width series, respectively. This is followed by a three-digit bore diameter d [mm]. The basic designations of SKF tapered roller bearings start with the letter T, e.g. T2ED 045.
- Designations established prior to 1977 are based on the system shown under *Basic designations*, page 31, e.g. 32206 (table 4, page 30).
- Metric bearings with the designation prefix J follow the ABMA designation system, which is used for inch bearings (ANSI/ABMA Std. 19.1).

Inch bearings

Inch tapered roller bearing designations are in accordance with ANSI/ABMA Std. 19.2.

Within a series:

- roller and cage assemblies are equal but the inner and outer rings can have different sizes and designs
- any inner ring with roller and cage assembly (cone) can be assembled with any outer ring (cup)

General:

- Cup and cone have individual designations and can be supplied separately (fig. 24).
- The designations of cups and cones, as well as the series, consist of a three- to six-digit number, which may be prefixed to characterize a bearing series from extra-light to extra-heavy.
- The complete bearing designation is an abbreviated combination of cone and cup designations. It consists of the cone designation followed by the complete or parts of the cup designation, separated by an oblique stroke (table 11).



Fig. 24

Separately packed components

Table 11

Examples of inch tapered roller bearing designations

Complete bearing	Cone	Cup	Series
LM 11749/710 ¹⁾	LM 11749	LM 11710	LM 11700
JL 26749/710 ¹⁾	JL 26749	JL 26710	L 26700
HM 89449/410 ¹⁾	HM 89449	HM 89410	HM 89400
H 913842/810 ¹⁾	H 913842	H 913810	H 913800
4580/2/4535/2 ²⁾	4580/2	4535/2	4500
9285/9220 ²⁾	9285	9220	9200

¹⁾ Complete bearing designation abbreviated (latest ABMA designations)
²⁾ Complete bearing designation not abbreviated (earlier ABMA designations)

Designation system

x	y	Group 1	Group 2	Group 3	/
---	---	---------	---------	---------	---

Prefixes

J	Metric bearing following the ABMA designation system (ANSI/ABMA Std. 19.2)
T	Metric bearing in accordance with ISO 355

Basic designation

Refer to *Bearing designations*, [page 691](#) or drawing number identification.

BT2- BT2B	Drawing number prefixes that may precede a four- or six-digit drawing number
--------------	--

Suffixes

Group 1: Internal design

A, C, D	Deviating or modified internal design, combinations are possible
B	Steep contact angle

Group 2: External design (seals, grooves, etc)

E	SKF Explorer bearing (only for double row bearings)
G	Helical groove in the inner ring bore (only for double row bearings)
R	Flanged outer ring
T..	A number immediately following the T identifies the total width of matched bearings, arranged back-to-back or in tandem.
X	Boundary dimensions changed to conform to ISO

Group 3: Cage design

TN9	Glass fibre reinforced PA66 cage, roller centred
TNH	Glass fibre reinforced PEEK cage, roller centred

Group 4.1: Materials, heat treatment

HA1	Case-hardened inner and outer rings
HA2	Case-hardened outer ring
HA3	Case-hardened inner ring
HA4	Case-hardened inner and outer rings and rollers
HA5	Case-hardened rollers
HA6	Case-hardened outer ring(s) and rollers
HA7	Case-hardened inner ring(s) and rollers
HB1	Bainite-hardened inner and outer rings
HB2	Bainite-hardened outer ring(s)
HN3	Inner ring with special surface heat treatment
L4B	Bearing rings and rollers with special surface coating

Group 4.2: Accuracy, clearance, preload, quiet running

/1	Deviating width tolerances of cups and cones for inch bearings (table 4, page 678)
/-1	
to	
/-3	
/4	
C...	Axial internal clearance (only for double row bearings) The three- or four-digit number immediately following the C is the mean axial internal clearance in μm .
CL0	Geometrical tolerances to ABMA tolerance class 0 (inch bearing)
CL00	Geometrical tolerances to ABMA tolerance class 00 (inch bearing)
P5	Geometrical tolerances to P5 tolerance class
U..	U combined with a one- or two-digit number identifies tighter total width tolerance, e.g.: U2 \rightarrow +5/0 μm U4 \rightarrow +10/0 μm
W	Modified ring width tolerance to +5/0 μm

Group 4					
4.1	4.2	4.3	4.4	4.5	4.6

Group 4.6: Other variants

CL7A	Pinion bearing, superseded by CL7C
CL7C	High-performance design
CLN	Tighter tolerances for ring widths and total (abutment) width in accordance with ISO tolerance class 6X
PEX	SKF Explorer bearing, used only when same-sized basic design bearing and SKF Explorer bearing are available
V001	CL7C and /2
VA321	Optimized internal design
VA606	Crowned raceway on the outer ring, logarithmic profile on the inner ring and special heat treatment
VA607	Same as VA606, but other outside diameter tolerance
VA901	Contact seal on both sides, outer ring side faces with lubrication grooves, sealing ring between the inner rings
VA902	Contact seal on both sides, without relubrication features, sealing ring between the inner rings
VA903	Contact seal on both sides, outer ring side faces with lubrication grooves, without sealing ring between the inner rings
VA919	Contact seal on both sides, relubrication features in the outer rings, annular groove in the bore and lubrication holes in the inner ring guide flanges
VA941	Contact seal on both sides, inner ring inner side faces with lubrication grooves, inner rings with annular grooves in the bore and lubrication holes in their outer shoulders
VB022	Chamfer dimension of large outer ring side face 0,3 mm
VB026	Chamfer dimension of large inner ring side face 3 mm
VB061	Chamfer dimension of large inner ring side face 8 mm
VB134	Chamfer dimension of large inner ring side face 1 mm
VB406	Chamfer dimension of large inner ring side face 3 mm and of large outer ring side face 2 mm
VB481	Chamfer dimension of large inner ring side face 8,5 mm
VC027	Modified internal geometry for increased permissible misalignment
VC068	Tighter geometrical tolerances and special heat treatment
VE141	One locating slot (notch) in the outer ring
VE174	One locating slot (notch) in the large side face of the outer ring, tighter geometrical tolerances
VQ051	Modified internal geometry for increased permissible misalignment
VQ117	Special radial and axial run-out tolerances
VQ267	Tighter inner ring width tolerance to $\pm 25 \mu\text{m}$
VQ492	Special inner ring width tolerance
VQ494	Tighter radial run-out tolerances
VQ495	CL7C with tighter or shifted tolerance range for the outside diameter
VQ506	Tighter inner ring width tolerance
VQ507	CL7C with tighter or shifted tolerance range for the outside diameter
VQ523	CL7C with tighter inner ring width tolerance and tighter or shifted tolerance range for the outside diameter
VQ601	Geometrical tolerances to ABMA tolerance class 0 (inch bearing)

Group 4.5: Lubrication**Group 4.4: Stabilization****Group 4.3: Bearing sets, matched bearings**

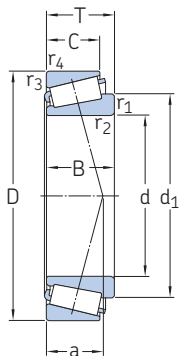
DB..	Two bearings matched for mounting back-to-back. A number immediately following the DB identifies the design of the ring spacers.
DF..	Two bearings matched for mounting face-to-face. A number immediately following the DF identifies the design of the ring spacer.
DT..	Two bearings matched for mounting in tandem. A number immediately following the DT identifies the design of the ring spacers.
C...	Special clearance The two- or three-digit number immediately following the C is the mean axial internal clearance in μm . The range remains the same as specified in table 6, page 679 .

In addition to their designation, double row bearings are also identified by their design variants/features ([product tables, page 762](#)). Some of these features may not be part of the bearing designation, but are always part of the design variants/features ([Variants/features, page 674](#)).



8.1 Metric single row tapered roller bearings

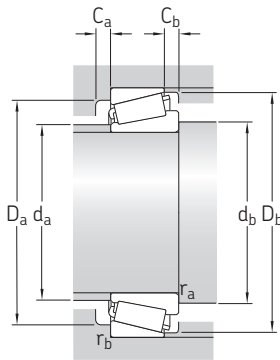
d 15 – 32 mm



Principal dimensions			Basic load ratings		Fatigue load limit	Speed ratings		Mass	Designation	Dimension series to ISO 355 (ABMA)
d	D	T	C	C ₀	P _u	Reference speed	Limiting speed			
mm			kN		kN	r/min		kg	–	–
15	35	11,75	18,5	14,6	1,43	17 000	20 000	0,055	▶ 30202	2CC
	42	14,25	27,7	20	2,08	15 000	18 000	0,094	▶ 30302	2FB
17	40	13,25	23,4	18,6	1,83	15 000	18 000	0,079	▶ 30203	2DB
	47	15,25	34,2	25	2,7	13 000	16 000	0,13	▶ 30303	2FB
	47	20,25	42,8	33,5	3,65	12 000	16 000	0,17	▶ 32303	2FD
20	42	15	29,7	27	2,65	13 000	16 000	0,099	▶ 32004 X	3CC
	47	15,25	34,1	28	3	12 000	15 000	0,12	▶ 30204	2DB
	52	16,25	41,9	32,5	3,55	12 000	14 000	0,17	▶ 30304	2FB
	52	22,25	54,3	45,5	5	11 000	14 000	0,23	▶ 32304	2FD
22	44	15	30,9	29	2,85	13 000	15 000	0,1	▶ 320/22 X	3CC
25	47	15	33,2	32,5	3,25	12 000	14 000	0,11	▶ 32005 X	4CC
	52	16,25	38,1	33,5	3,45	11 000	13 000	0,15	▶ 30205	3CC
	52	19,25	44,5	44	4,65	10 000	13 000	0,19	▶ 32205 B	5CD
	52	19,25	50,4	45,5	4,9	11 000	13 000	0,19	32205	2CD
	52	22	57,9	56	6	10 000	13 000	0,22	▶ 33205	2CE
	62	18,25	46,6	40	4,4	8 500	11 000	0,27	▶ 31305	7FB
	62	18,25	55,3	43	4,75	9 500	12 000	0,26	▶ 30305	2FB
	62	25,25	74,1	63	7,1	9 000	12 000	0,36	▶ 32305	2FD
28	52	16	39	38	4	10 000	13 000	0,14	▶ 320/28 X	4CC
	58	17,25	46,6	41,5	4,4	10 000	12 000	0,2	▶ 302/28	3DC
	58	20,25	51,9	50	5,5	9 500	12 000	0,25	▶ 322/28 B	5CD
30	55	17	43,9	44	4,55	10 000	12 000	0,17	▶ 32006 X	4CC
	62	17,25	50	44	4,8	9 000	11 000	0,23	▶ 30206	3DB
	62	21,25	61,8	57	6,3	9 000	11 000	0,29	▶ 32206	3DC
	62	25	79,7	76,5	8,5	8 500	11 000	0,35	▶ 33206	2DE
	72	20,75	58,3	50	5,7	7 500	9 500	0,39	▶ 31306	7FB
	72	20,75	69,2	56	6,4	8 000	10 000	0,38	▶ 30306	2FB
	72	28,75	95	85	9,65	7 500	10 000	0,55	▶ 32306	2FD
32	53	14,5	33	35,5	3,65	10 000	12 000	0,12	JL 26749/710	L 26700
	58	17	45,1	46,5	4,8	9 000	11 000	0,19	▶ 320/32 X	4CC

SKF Explorer bearing

▶ Popular item

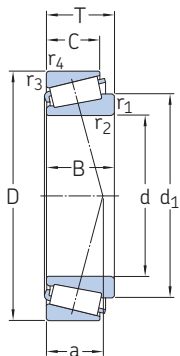


Dimensions							Abutment and fillet dimensions									Calculation factors		
d	d ₁ ≈	B	C	r _{1,2} min.	r _{3,4} min.	a	d _a max.	d _b min.	D _a min.	D _a max.	D _b min.	C _a min.	C _b min.	r _a max.	r _b max.	e	Y	Y ₀
mm							mm									-		
15	25,6	11	9,25	0,6	0,6	8	20	20,5	30	30,5	32	2	2,5	0,6	0,6	0,35	1,7	0,9
	27,8	13	11	1	1	9	22	21,5	36	36,5	38	2	3	1	1	0,28	2,1	1,1
17	29	12	11	1	1	9	23	23,5	34	34,5	37	2	2	1	1	0,35	1,7	0,9
	30,5	14	12	1	1	10	25	23,5	40	41,5	42	2	3	1	1	0,28	2,1	1,1
	30,7	19	16	1	1	12	24	23,5	39	41,5	43	3	4	1	1	0,28	2,1	1,1
20	32,1	15	12	0,6	0,6	10	25	25,5	36	37,5	39	3	3	0,6	0,6	0,37	1,6	0,9
	33,7	14	12	1	1	11	28	26,5	40	41,5	43	2	3	1	1	0,35	1,7	0,9
	34,4	15	13	1,5	1,5	11	28	27,5	44	45,5	47	2	3	1,5	1,5	0,3	2	1,1
	34,6	21	18	1,5	1,5	13	27	27,5	43	45,5	47	3	4	1,5	1,5	0,3	2	1,1
22	34,3	15	11,5	0,6	0,6	10	27	27,5	38	39	41	3	3,5	0,6	0,6	0,4	1,5	0,8
	37,5	15	11,5	0,6	0,6	11	30	31	40	42	44	3	3,5	0,6	0,6	0,43	1,4	0,8
25	38	15	13	1	1	12	32	31,5	44	46	48	2	3	1	1	0,37	1,6	0,9
	41,5	18	15	1	1	15	30	32	41	46,5	50	3	4	1	1	0,57	1,05	0,6
	38,4	18	16	1	1	13	31	32	44	46	50	3	3	1	1	0,35	1,7	0,9
	38,7	22	18	1	1	13	31	32	43	46	49	4	4	1	1	0,35	1,7	0,9
	45,8	17	13	1,5	1,5	19	34	33	47	55	59	3	5	1,5	1,5	0,83	0,72	0,4
28	41,5	17	15	1,5	1,5	12	35	33	54	55	57	2	3	1,5	1,5	0,3	2	1,1
	41,7	24	20	1,5	1,5	15	33	33	52	55	57	3	5	1,5	1,5	0,3	2	1,1
30	41,3	16	12	1	1	12	34	35	45	46	49	3	4	1	1	0,43	1,4	0,8
	42	16	14	1	1	13	35	35	50	52	54	2	3	1	1	0,37	1,6	0,9
	43,9	19	16	1	1	16	33	35	46	52	55	3	4	1	1	0,57	1,05	0,6
32	43,6	17	13	1	1	13	36	37	48	49	52	3	4	1	1	0,43	1,4	0,8
	45,3	16	14	1	1	13	38	37	53	56	57	2	3	1	1	0,37	1,6	0,9
	45,2	20	17	1	1	15	37	37	52	56	58	3	4	1	1	0,37	1,6	0,9
	45,8	25	19,5	1	1	15	37	37	53	56	59	4	5,5	1	1	0,35	1,7	0,9
	52,7	19	14	1,5	1,5	22	40	38,5	55	65	68	3	6,5	1,5	1,5	0,83	0,72	0,4
32	48,4	19	16	1,5	1,5	14	41	38	62	64	66	3	4,5	1,5	1,5	0,31	1,9	1,1
	48,7	27	23	1,5	1,5	17	39	38	59	65	66	4	5,5	1,5	1,5	0,31	1,9	1,1
32	43,6	15	11,5	3,6	1,3	11	38	44	48	46,5	50	2	3	3,6	1,3	0,33	1,8	1
	46,2	17	13	1	1	13	38	39	50	52	55	3	4	1	1	0,46	1,3	0,7



8.1 Metric single row tapered roller bearings

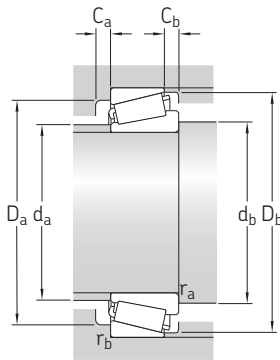
d 35 – 45 mm



Principal dimensions			Basic load ratings		Fatigue load limit	Speed ratings		Mass	Designation	Dimension series to ISO 355 (ABMA)	
d	D	T	C	C ₀	P _u	Reference speed	Limiting speed				
mm			kN		kN	r/min		kg	—	—	
35	62	18	52,3	54	5,85	8 500	10 000	0,23	▶ 32007 X	4CC	
	72	18,25	63,2	56	6,1	8 000	9 500	0,33	▶ 30207	3DB	
	72	24,25	81,2	78	8,5	8 000	9 500	0,44	▶ 32207	3DC	
	72	28	104	106	11,8	7 000	9 500	0,53	▶ 33207	2DE	
	80	22,75	75,4	67	7,8	6 300	8 500	0,52	▶ 31307	7FB	
	80	22,75	88,9	73,5	8,3	7 500	9 000	0,51	▶ 30307	2FB	
	80	32,75	115	114	12,9	6 300	8 500	0,8	▶ 32307 B	5FE	
	80	32,75	117	106	12,2	6 700	9 000	0,75	▶ 32307	2FE	
	38	63	17	45,7	52	5,4	8 500	10 000	0,2	JL 69349/310	L 69300
		63	17	45,7	52	5,4	8 500	10 000	0,21	JL 69345/310	L 69300
63		17	45,7	52	5,4	8 500	10 000	0,21	JL 69349 A/310	L 69300	
63		17	45,7	52	5,4	8 500	10 000	0,21	JL 69349 X/310	L 69300	
40	68	19	64,7	71	7,65	7 500	9 500	0,28	▶ 32008 X	3CD	
	75	26	97,5	104	11,4	7 000	9 000	0,5	▶ 33108	2CE	
	80	19,75	75,8	68	7,65	7 000	8 500	0,42	▶ 30208	3DB	
	80	24,75	91,6	86,5	9,8	7 000	8 500	0,53	▶ 32208	3DC	
	80	32	128	132	15	6 300	8 500	0,73	▶ 33208	2DE	
	85	33	150	150	17,3	6 700	8 000	0,9	T2EE 040	2EE	
	90	25,25	91,1	81,5	9,5	5 600	7 500	0,72	31308	7FB	
	90	25,25	106	95	10,8	6 300	8 000	0,73	▶ 30308	2FB	
	90	35,25	134	140	16	5 600	7 500	1,1	32308 B	5FD	
	90	35,25	143	140	16	6 000	8 000	1,05	▶ 32308	2FD	
45	75	20	71,7	80	8,8	7 000	8 500	0,34	▶ 32009 X	3CC	
	80	26	104	114	12,9	6 700	8 000	0,55	▶ 33109	3CE	
	85	20,75	81,6	76,5	8,65	6 300	8 000	0,47	▶ 30209	3DB	
	85	24,75	98,7	98	11	6 300	8 000	0,58	▶ 32209	3DC	
	85	32	132	143	16,3	6 000	7 500	0,79	▶ 33209	3DE	
	95	29	110	112	12,7	5 300	7 000	0,93	T7FC 045	7FC	
	95	36	182	186	20,8	6 000	7 000	1,2	▶ T2ED 045	2ED	
	100	27,25	113	102	12,5	5 000	6 700	0,95	31309	7FB	
	100	27,25	132	120	14,3	5 600	7 000	0,97	▶ 30309	2FB	
	100	38,25	166	176	20	5 000	6 700	1,5	32309 B	5FD	
	100	38,25	173	170	20,4	5 300	7 000	1,4	▶ 32309	2FD	

SKF Explorer bearing

▶ Popular item

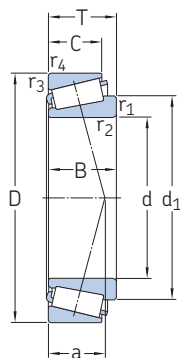


Dimensions							Abutment and fillet dimensions								Calculation factors			
d	d ₁ ≈	B	C	r _{1,2} min.	r _{3,4} min.	a	d _a max.	d _b min.	D _a min.	D _a max.	D _b min.	C _a min.	C _b min.	r _a max.	r _b max.	e	Y	Y ₀
mm							mm								-			
35	49,6	18	14	1	1	14	41	42	54	56	59	4	4	1	1	0,46	1,3	0,7
	51,9	17	15	1,5	1,5	14	44	43,5	62	64	67	3	3	1,5	1,5	0,37	1,6	0,9
	52,4	23	19	1,5	1,5	17	43	43,5	61	64	67	3	5	1,5	1,5	0,37	1,6	0,9
	53,4	28	22	1,5	1,5	18	43	43,5	61	64	68	5	6	1,5	1,5	0,35	1,7	0,9
	59,6	21	15	2	1,5	24	45	44,5	62	72	76	3	7,5	2	1,5	0,83	0,72	0,4
	54,5	21	18	2	1,5	16	46	44,5	70	72	74	3	4,5	2	1,5	0,31	1,9	1,1
	59,3	31	25	2	1,5	24	43	44,5	61	72	76	4	7,5	2	1,5	0,54	1,1	0,6
	54,8	31	25	2	1,5	20	44	44,5	66	72	74	4	7,5	2	1,5	0,31	1,9	1,1
38	52,2	17	13,5	3,6	1,3	14	44	50,5	55	56	60	3	3,5	3,6	1,3	0,43	1,4	0,8
	52,2	19	13,5	3,6	1,3	14	44	50,5	55	56	60	3	3,5	3,6	1,3	0,43	1,4	0,8
	52,2	17	13,5	1,3	1,3	14	44	46	55	56	60	3	3,5	1,3	1,3	0,43	1,4	0,8
	52,2	17	13,5	2,3	1,3	14	44	48	55	56	60	3	3,5	2,3	1,3	0,43	1,4	0,8
40	54,7	19	14,5	1	1	14	46	47,5	60	61	65	4	4,5	1	1	0,37	1,6	0,9
	57,5	26	20,5	1,5	1,5	17	47	48,5	65	67	71	4	5,5	1,5	1,5	0,35	1,7	0,9
	57,5	18	16	1,5	1,5	16	49	48,5	69	72	74	3	3,5	1,5	1,5	0,37	1,6	0,9
	58,4	23	19	1,5	1,5	18	49	48,5	68	72	75	3	5,5	1,5	1,5	0,37	1,6	0,9
	59,7	32	25	1,5	1,5	20	47	48,5	67	72	76	5	7	1,5	1,5	0,35	1,7	0,9
	61,2	32,5	28	2,5	2	21	48	50,5	70	76	80	5	5	2,5	2	0,35	1,7	0,9
	67,1	23	17	2	1,5	28	51	50	71	82	86	3	8	2	1,5	0,83	0,72	0,4
	62,5	23	20	2	1,5	19	53	49,5	77	82	82	3	5	2	1,5	0,35	1,7	0,9
	67,1	33	27	2	1,5	27	50	50	67	82	84	4	8	2	1,5	0,54	1,1	0,6
	62,9	33	27	2	1,5	22	51	49,5	73	82	82	4	8	2	1,5	0,35	1,7	0,9
45	60,7	20	15,5	1	1	16	52	52,5	67	68	72	4	4,5	1	1	0,4	1,5	0,8
	63	26	20,5	1,5	1,5	18	52	53,5	69	72	77	4	5,5	1,5	1,5	0,37	1,6	0,9
	63,1	19	16	1,5	1,5	17	54	53,5	74	77	80	3	4,5	1,5	1,5	0,4	1,5	0,8
	64,1	23	19	1,5	1,5	19	54	53,5	73	77	80	3	5,5	1,5	1,5	0,4	1,5	0,8
	65,3	32	25	1,5	1,5	21	52	53,5	72	77	81	5	7	1,5	1,5	0,4	1,5	0,8
	73,4	26,5	20	2,5	2,5	32	54	56	71	85	91	3	9	2,5	2,5	0,88	0,68	0,4
	68,7	35	30	2,5	2,5	23	55	56	80	85	89	6	6	2,5	2,5	0,33	1,8	1
	74,7	25	18	2	1,5	31	57	55	79	92	95	4	9	2	1,5	0,83	0,72	0,4
	70,2	25	22	2	1,5	20	59	55	86	92	92	3	5	2	1,5	0,35	1,7	0,9
	76,1	36	30	2	1,5	29	56	55	76	92	94	5	8	2	1,5	0,54	1,1	0,6
	71,1	36	30	2	1,5	24	57	55	82	92	93	4	8	2	1,5	0,35	1,7	0,9



8.1 Metric single row tapered roller bearings

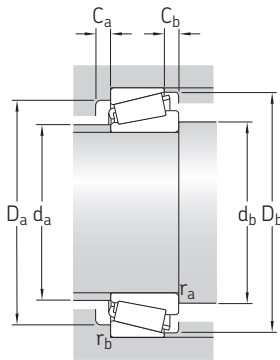
d 50 – 55 mm



Principal dimensions			Basic load ratings		Fatigue load limit	Speed ratings		Mass	Designation	Dimension series to ISO 355 (ABMA)
d	D	T	C	C ₀	P _u	Reference speed	Limiting speed			
mm			kN		kN	r/min		kg	–	–
50	72	15	41,3	53	5,6	7 000	8 500	0,19	32910	2BC
	80	20	75,1	88	9,65	6 300	8 000	0,38	▶ 32010 X	3CC
	80	24	84,8	102	11,4	6 300	8 000	0,45	▶ 33010	2CE
	82	21,5	88,9	100	11	6 300	8 000	0,43	JLM 104948	LM 104900
	82	21,501	88,9	100	11	6 300	8 000	0,46	AA/910 AA	LM 104900
	85	26	106	122	13,4	6 000	7 500	0,58	▶ 33110	3CE
	90	21,75	93,1	91,5	10,4	6 000	7 500	0,54	▶ 30210	3DB
	90	24,75	101	100	11,4	6 000	7 500	0,62	▶ 32210	3DC
	90	28	130	140	16	6 000	7 500	0,75	JM 205149/110	M 205100
	90	28	130	140	16	6 000	7 500	0,75	JM 205149/110 A	M 205100
	90	32	142	160	18,3	5 300	7 000	0,86	▶ 33210	3DE
	100	36	189	200	22,4	5 600	6 700	1,3	▶ T2ED 050	2ED
	105	32	134	137	16	4 800	6 300	1,25	T7FC 050	7FC
	110	29,25	131	120	14,3	4 500	6 000	1,2	31310	7FB
110	29,25	154	140	16,6	5 300	6 300	1,25	▶ 30310	2FB	
110	42,25	196	216	24,5	4 500	6 000	1,95	32310 B	5FD	
110	42,25	211	212	24	4 800	6 300	1,85	▶ 32310	2FD	
55	80	17	51,7	69,5	7,2	6 300	7 500	0,28	▶ 32911	2BC
	90	23	99,4	116	12,9	5 600	7 000	0,56	▶ 32011 X	3CC
	90	27	111	137	15,3	5 600	7 000	0,66	▶ 33011	2CE
	95	30	136	156	17,6	5 600	6 700	0,85	▶ 33111	3CE
	100	22,75	111	106	12	5 300	6 700	0,7	▶ 30211	3DB
	100	26,75	130	129	15	5 300	6 700	0,84	▶ 32211	3DC
	100	35	170	190	21,6	4 800	6 300	1,15	▶ 33211	3DE
	110	39	220	232	26	5 000	6 000	1,7	T2ED 055	2ED
	115	34	155	163	19,3	4 300	5 600	1,6	T7FC 055	7FC
	120	31,5	149	137	16,6	4 300	5 600	1,55	▶ 31311	7FB
	120	31,5	176	163	19,3	4 800	5 600	1,55	▶ 30311	2FB
	120	45,5	233	260	30	4 300	5 600	2,5	32311 B	5FD
	120	45,5	245	250	28,5	4 300	5 600	2,35	▶ 32311	2FD

SKF Explorer bearing

▶ Popular item

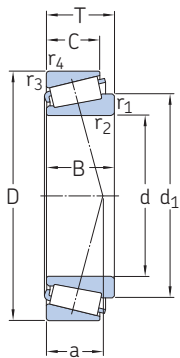


Dimensions							Abutment and fillet dimensions								Calculation factors			
d	d ₁ ≈	B	C	r _{1,2} min.	r _{3,4} min.	a	d _a max.	d _b min.	D _a min.	D _a max.	D _b min.	C _a min.	C _b min.	r _a max.	r _b max.	e	Y	Y ₀
mm							mm								-			
50	62,2	15	12	1	1	13	56	57,5	66	65	69	3	3	1	1	0,35	1,7	0,9
	65,9	20	15,5	1	1	17	57	57,5	72	73	77	4	4,5	1	1	0,43	1,4	0,8
	65,3	24	19	1	1	17	57	57,5	72	73	76	4	5	1	1	0,31	1,9	1,1
	65,1	21,5	17	3,6	1,2	15	57	63	74	75	78	4	4,5	3,6	1,2	0,3	2	1,1
	65,2	27,7	17	3	0,5	15	57	61,5	74	76	78	4	4,5	3	0,5	0,3	2	1,1
	68	26	20	1,5	1,5	20	57	59	74	77	82	4	6	1,5	1,5	0,4	1,5	0,8
	68	20	17	1,5	1,5	19	59	59	79	82	85	3	4,5	1,5	1,5	0,43	1,4	0,8
	68,6	23	19	1,5	1,5	20	58	59	78	82	85	3	5,5	1,5	1,5	0,43	1,4	0,8
	68,8	28	23	3	2,5	20	58	62	78	80	85	5	5	3	2,5	0,33	1,8	1
	68,8	28	23	3	0,8	20	58	62	78	83	85	5	5	3	0,8	0,33	1,8	1
	70,8	32	24,5	1,5	1,5	22	57	59	77	82	87	5	7,5	1,5	1,5	0,4	1,5	0,8
	73,5	35	30	2,5	2,5	24	59	61	84	90	94	6	6	2,5	2,5	0,35	1,7	0,9
	81,3	29	22	3	3	35	60	62	78	94	100	4	10	3	3	0,88	0,68	0,4
	81,5	27	19	2,5	2	33	63	61	87	101	104	4	10	2,5	2	0,83	0,72	0,4
	77,2	27	23	2,5	2	22	66	61	95	101	102	4	6	2,5	2	0,35	1,7	0,9
83,1	40	33	2,5	2	33	62	61,5	83	101	103	5	9	2,5	2	0,54	1,1	0,6	
77,7	40	33	2,5	2	27	63	61	90	101	102	5	9	2,5	2	0,35	1,7	0,9	
55	68,8	17	14	1	1	14	62	62,5	73	73	76	3	3	1	1	0,31	1,9	1,1
	73,3	23	17,5	1,5	1,5	19	63	64	81	82	86	4	5,5	1,5	1,5	0,4	1,5	0,8
	73,1	27	21	1,5	1,5	19	64	64	81	82	86	5	6	1,5	1,5	0,31	1,9	1,1
	75,1	30	23	1,5	1,5	22	63	64	83	87	91	5	7	1,5	1,5	0,37	1,6	0,9
	74,7	21	18	2	1,5	20	64	65	88	92	94	4	4,5	2	1,5	0,4	1,5	0,8
	75,3	25	21	2	1,5	22	64	65	87	92	95	4	5,5	2	1,5	0,4	1,5	0,8
	78,1	35	27	2	1,5	24	63	65	85	92	96	6	8	2	1,5	0,4	1,5	0,8
	80,9	39	32	2,5	2,5	26	65	66	93	100	104	7	7	2,5	2,5	0,35	1,7	0,9
	89,5	31	23,5	3	3	38	66	67,5	86	104	109	4	10,5	3	3	0,88	0,68	0,4
	88,4	29	21	2,5	2	37	68	66,5	94	111	113	4	10,5	2,5	2	0,83	0,72	0,4
	84	29	25	2,5	2	23	72	66,5	104	110	111	4	6,5	2,5	2	0,35	1,7	0,9
	90,5	43	35	2,5	2	36	67	66,5	91	111	112	5	10,5	2,5	2	0,54	1,1	0,6
	84,6	43	35	2,5	2	29	68	66,5	99	110	111	5	10,5	2,5	2	0,35	1,7	0,9



8.1 Metric single row tapered roller bearings

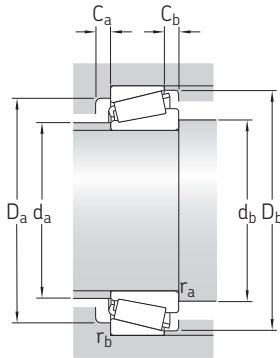
d 60 – 65 mm



Principal dimensions			Basic load ratings		Fatigue load limit	Speed ratings		Mass	Designation	Dimension series to ISO 355 (ABMA)
d	D	T	C	C ₀	P _u	Reference speed	Limiting speed			
mm			kN		kN	r/min		kg	–	–
60	85	17	53,2	75	7,8	6 000	7 000	0,3	32912	2BC
	95	23	101	122	13,4	5 300	6 700	0,59	32012 X	4CC
	95	24	103	132	15	5 300	6 700	0,62	JLM 508748/710	LM 508700
	95	27	113	143	16	5 300	6 700	0,7	▶ 33012	2CE
	100	30	144	170	19,6	5 300	6 300	0,92	▶ 33112	3CE
	110	23,75	120	114	13,2	5 000	6 000	0,88	▶ 30212	3EB
	110	29,75	155	160	18,6	5 000	6 000	1,15	▶ 32212	3EC
	110	38	207	236	26,5	4 500	6 000	1,55	▶ 33212	3EE
	115	40	239	260	30	4 800	5 600	1,85	▶ T2EE 060	2EE
	125	37	190	204	24,5	4 000	5 300	2,05	T7FC 060	7FC
	130	33,5	177	166	20,4	3 800	5 300	1,9	▶ 31312	7FB
	130	33,5	208	196	23,6	4 300	5 300	1,95	▶ 30312	2FB
	130	48,5	271	305	35,5	3 800	5 000	3,1	32312 B	5FD
	130	48,5	282	290	34	4 000	5 300	2,9	▶ 32312	2FD
	65	90	17	54,7	80	8,15	5 600	6 700	0,32	32913
100		23	103	127	14	5 000	6 000	0,63	▶ 32013 X	4CC
100		27	119	153	17,3	5 000	6 300	0,75	▶ 33013	2CE
105		24	122	137	16	5 000	6 000	0,76	JLM 710949/910	LM 710900
110		28	152	183	21,2	4 800	5 600	1,05	JM 511946/910	M 511900
110		31	170	193	22,4	4 800	6 000	1,15	▶ T2DD 065	2DD
110		34	175	208	24	4 800	5 600	1,3	▶ 33113	3DE
120		24,75	141	134	16,3	4 500	5 600	1,1	▶ 30213	3EB
120		32,75	186	193	22,8	4 500	5 600	1,5	▶ 32213	3EC
120		41	239	270	30,5	4 000	5 300	2	▶ 33213	3EE
130		37	194	216	25,5	3 800	5 000	2,2	T7FC 065	7FC
140		36	203	193	23,6	3 600	4 800	2,35	31313	7GB
140		36	240	228	27,5	4 000	4 800	2,4	▶ 30313	2GB
140		51	305	345	40	3 600	4 800	3,75	32313 B	5GD
140		51	323	335	40	3 600	4 800	3,5	▶ 32313	2GD

8.1



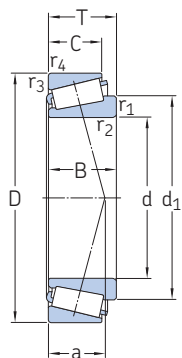


Dimensions							Abutment and fillet dimensions								Calculation factors			
d	d ₁ ≈	B	C	r _{1,2} min.	r _{3,4} min.	a	d _a max.	d _b min.	D _a min.	D _a max.	D _b min.	C _a min.	C _b min.	r _a max.	r _b max.	e	Y	Y ₀
mm							mm								-			
60	73,8	17	14	1	1	15	67	68	78	78	81	3	3	1	1	0,33	1,8	1
	77,8	23	17,5	1,5	1,5	20	67	69	85	87	91	4	5,5	1,5	1,5	0,43	1,4	0,8
	78,5	24	19	5	2,5	20	68	76	84	85	91	4	5	5	2,5	0,4	1,5	0,8
	77,2	27	21	1,5	1,5	19	67	69	85	87	90	5	6	1,5	1,5	0,33	1,8	1
	80,5	30	23	1,5	1,5	23	68	69	88	92	96	5	7	1,5	1,5	0,4	1,5	0,8
	80,9	22	19	2	1,5	21	70	70	96	101	103	3	4,5	2	1,5	0,4	1,5	0,8
	81,9	28	24	2	1,5	24	69	70,5	95	102	104	4	5,5	2	1,5	0,4	1,5	0,8
	85,3	38	29	2	1,5	27	69	70,5	93	102	105	6	9	2	1,5	0,4	1,5	0,8
	85,6	39	33	2,5	2,5	27	70	71,5	98	104	109	6	7	2,5	2,5	0,33	1,8	1
	97,2	33,5	26	3	3	40	72	72,5	94	113	119	4	11	3	3	0,83	0,72	0,4
	96	31	22	3	2,5	39	74	72,5	103	119	123	5	11,5	3	2,5	0,83	0,72	0,4
	91,8	31	26	3	2,5	25	77	72,5	112	119	120	5	7,5	3	2,5	0,35	1,7	0,9
98,6	46	37	3	2,5	38	73	72,5	99	119	122	6	11,5	3	2,5	0,54	1,1	0,6	
91,9	46	37	3	2,5	31	74	72,5	107	119	120	6	11,5	3	2,5	0,35	1,7	0,9	
65	78,8	17	14	1	1	16	71	73	83	83	86	3	3	1	1	0,35	1,7	0,9
	83,3	23	17,5	1,5	1,5	22	73	74	90	92	97	4	5,5	1,5	1,5	0,46	1,3	0,7
	82,6	27	21	1,5	1,5	21	72	74	89	92	96	5	6	1,5	1,5	0,35	1,7	0,9
	84,1	23	18,5	3	1	23	73	77,5	93	97	101	4	5,5	3	1	0,46	1,3	0,7
	87,9	28	22,5	3	2,5	23	75	77,5	96	99	104	5	5,5	3	2,5	0,4	1,5	0,8
	85,7	31	25	2	2	23	74	75,5	97	100	105	5	6	2	2	0,33	1,8	1
	88,3	34	26,5	1,5	1,5	25	74	74,5	96	101	106	6	7,5	1,5	1,5	0,4	1,5	0,8
	89	23	20	2	1,5	23	78	75,5	106	111	113	4	4,5	2	1,5	0,4	1,5	0,8
	90,3	31	27	2	1,5	26	76	75,5	104	111	115	4	5,5	2	1,5	0,4	1,5	0,8
	92,5	41	32	2	1,5	29	75	75,5	102	111	115	6	9	2	1,5	0,4	1,5	0,8
	102	33,5	26	3	3	44	77	78	98	118	124	4	11	3	3	0,88	0,68	0,4
	103	33	23	3	2,5	42	80	78	111	129	132	5	13	3	2,5	0,83	0,72	0,4
	98,7	33	28	3	2,5	27	84	78	122	129	130	5	8	3	2,5	0,35	1,7	0,9
	105	48	39	3	2,5	41	79	78	107	129	131	6	12	3	2,5	0,54	1,1	0,6
	99,2	48	39	3	2,5	33	81	78	117	129	130	6	12	3	2,5	0,35	1,7	0,9



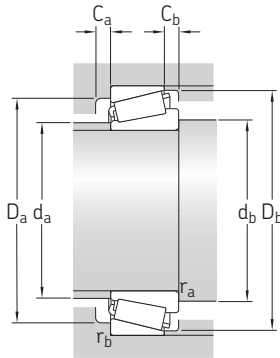
8.1 Metric single row tapered roller bearings

d 70 – 75 mm



Principal dimensions			Basic load ratings		Fatigue load limit	Speed ratings		Mass	Designation	Dimension series to ISO 355 (ABMA)
d	D	T	dynamic	static		Reference speed	Limiting speed			
mm			kN		kN	r/min		kg	–	–
70	100	20	85,8	112	12,7	5 000	6 000	0,49	32914	2BC
	110	25	125	153	17,3	4 500	5 600	0,85	▶ 32014 X	4CC
	110	31	159	196	22,8	4 800	5 600	1,05	▶ 33014	2CE
	120	37	211	250	28,5	4 300	5 300	1,7	▶ 33114	3DE
	125	26,25	155	156	18	4 300	5 300	1,25	▶ 30214	3EB
	125	33,25	195	208	24,5	4 300	5 300	1,6	▶ 32214	3EC
	125	41	247	285	32,5	3 800	5 000	2,1	▶ 33214	3EE
	130	43	289	325	38	4 000	5 000	2,5	T2ED 070	2ED
	140	39	219	240	27,5	3 400	4 500	2,65	T7FC 070	7FC
	150	38	229	220	27	3 400	4 500	2,85	31314	7GB
75	105	20	86,8	116	13,2	4 800	5 600	0,51	32915	2BC
	115	25	130	163	18,6	4 300	5 300	0,91	▶ 32015 X	4CC
	115	31	167	228	26	4 300	5 300	1,2	▶ 33015	2CE
	120	31	170	216	25	4 300	5 300	1,3	JM 714249/210	M 714200
	125	37	216	265	30	4 000	5 000	1,8	▶ 33115	3DE
	130	27,25	171	176	20,4	4 000	5 000	1,4	▶ 30215	4DB
	130	33,25	197	212	24,5	4 000	5 000	1,65	▶ 32215	4DC
	130	41	255	300	34	3 600	4 800	2,2	▶ 33215	3DE
	145	51	380	450	51	3 600	4 500	3,9	JH 415647/610	H 415600
	145	52	364	450	50	3 600	4 500	3,95	T3FE 075	3FE
150	42	249	280	31	3 200	4 300	3,25	T7FC 075	7FC	
160	40	255	245	29	3 200	4 300	3,4	31315	7GB	
160	40	301	290	34	3 400	4 300	3,5	▶ 30315	2GB	
160	58	410	475	53	3 200	4 000	5,55	▶ 32315 B	5GD	
160	58	416	440	51	3 200	4 300	5,2	▶ 32315	2GD	

8.1

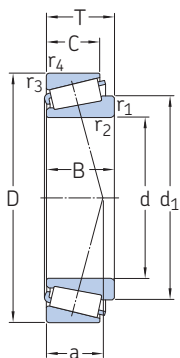


Dimensions							Abutment and fillet dimensions								Calculation factors			
d	d ₁ ≈	B	C	r _{1,2} min.	r _{3,4} min.	a	d _a max.	d _b min.	D _a min.	D _a max.	D _b min.	C _a min.	C _b min.	r _a max.	r _b max.	e	Y	Y ₀
mm							mm								-			
70	84,7	20	16	1	1	17	77	78	93	92	96	4	4	1	1	0,31	1,9	1,1
	89,9	25	19	1,5	1,5	23	78	79,5	98	101	105	5	6	1,5	1,5	0,43	1,4	0,8
	88,9	31	25,5	1,5	1,5	22	78	79,5	99	101	105	5	5,5	1,5	1,5	0,28	2,1	1,1
	95,3	37	29	2	1,5	27	80	80,5	104	111	115	6	8	2	1,5	0,37	1,6	0,9
	94	24	21	2	1,5	25	82	80,5	110	116	118	4	5	2	1,5	0,43	1,4	0,8
	95	31	27	2	1,5	28	81	80,5	108	116	119	4	6	2	1,5	0,43	1,4	0,8
	97,4	41	32	2	1,5	30	80	80,5	107	116	120	6	9	2	1,5	0,4	1,5	0,8
	98,1	42	35	3	2,5	30	81	82,5	111	119	123	7	8	3	2,5	0,33	1,8	1
	110	35,5	27	3	3	46	82	83	106	128	133	5	12	3	3	0,88	0,68	0,4
	111	35	25	3	2,5	45	85	83	118	139	141	5	13	3	2,5	0,83	0,72	0,4
	105	35	30	3	2,5	29	90	83	130	139	140	5	8	3	2,5	0,35	1,7	0,9
	113	51	42	3	2,5	43	85	83	115	139	141	7	12	3	2,5	0,54	1,1	0,6
106	51	42	3	2,5	35	87	83	125	139	140	6	12	3	2,5	0,35	1,7	0,9	
75	89,7	20	16	1	1	18	82	83,5	98	97	101	4	4	1	1	0,33	1,8	1
	95,1	25	19	1,5	1,5	24	83	84,5	103	106	110	5	6	1,5	1,5	0,46	1,3	0,7
	95	31	25,5	1,5	1,5	23	84	84,5	104	106	110	6	5,5	1,5	1,5	0,3	2	1,1
	98,1	29,5	25	3	2,5	28	84	87,5	104	109	115	5	6	3	2,5	0,44	1,35	0,8
	100	37	29	2	1,5	28	84	85,5	109	116	120	6	8	2	1,5	0,4	1,5	0,8
	99,8	25	22	2	1,5	26	87	85,5	115	121	124	4	5	2	1,5	0,43	1,4	0,8
	100	31	27	2	1,5	29	85	85,5	114	121	125	4	6	2	1,5	0,43	1,4	0,8
	102	41	31	2	1,5	31	84	86	111	121	125	6	10	2	1,5	0,43	1,4	0,8
	111	51	42	3	2,5	35	89	88	123	134	139	9	9	3	2,5	0,37	1,6	0,9
	111	51	43	5	3	39	88	92	117	133	138	7	9	5	3	0,43	1,4	0,8
	116	38	29	3	3	50	88	88	114	138	143	5	13	3	3	0,88	0,68	0,4
	118	37	26	3	2,5	48	91	88	127	149	151	5	14	3	2,5	0,83	0,72	0,4
	112	37	31	3	2,5	30	96	88	139	149	149	5	9	3	2,5	0,35	1,7	0,9
	119	55	45	3	2,5	46	89	88	122	149	151	7	13	3	2,5	0,54	1,1	0,6
	113	55	45	3	2,5	37	92	88	133	149	149	7	13	3	2,5	0,35	1,7	0,9



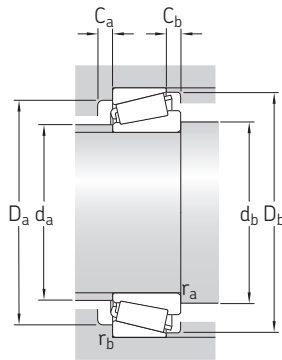
8.1 Metric single row tapered roller bearings

d 80 – 85 mm



Principal dimensions			Basic load ratings		Fatigue load limit	Speed ratings		Mass	Designation	Dimension series to ISO 355 (ABMA)
d	D	T	dynamic	static		Reference speed	Limiting speed			
			C	C ₀	P _u					
mm			kN		kN	r/min	kg	–		
80	110	20	89,7	125	14	4 500	5 600	0,54	32916	2BC
	125	29	168	216	24,5	4 000	5 000	1,3	▶ 32016 X	3CC
	125	36	207	285	32	4 000	5 000	1,65	▶ 33016	2CE
	130	35	216	275	31	4 000	4 800	1,75	JM 515649/610	M 515600
	130	37	221	280	31	4 000	4 800	1,85	▶ 33116	3DE
	140	28,25	184	183	21,2	3 800	4 800	1,6	▶ 30216	3EB
	140	35,25	228	245	28,5	3 800	4 500	2,05	▶ 32216	3EC
	140	46	308	375	41,5	3 400	4 500	2,9	▶ 33216	3EE
	160	45	280	315	35,5	3 000	4 000	4	T7FC 080	7FC
	170	42,5	276	265	30,5	3 000	4 000	4,05	31316	7GB
85	170	42,5	333	320	36,5	3 200	4 000	4,15	▶ 30316	2GB
	170	61,5	440	520	57	3 200	3 800	6,65	32316 B	5GD
	170	61,5	404	500	56	3 200	4 000	6,2	▶ 32316	2GD
	120	23	115	156	17,6	4 000	5 000	0,78	32917	2CC
	130	29	171	224	25,5	3 800	4 800	1,35	▶ 32017 X	4CC
	130	30	172	228	26	3 800	4 800	1,4	JM 716649/610	M 716600
	130	36	223	310	34,5	3 800	4 800	1,75	▶ 33017	2CE
	140	41	268	340	38	3 600	4 500	2,45	▶ 33117	3DE
	150	30,5	216	220	25,5	3 600	4 300	2,05	▶ 30217	3EB
	150	38,5	263	285	33,5	3 600	4 300	2,6	▶ 32217	3EC
150	49	353	430	48	3 200	4 300	3,55	▶ 33217	3EE	
170	48	333	380	43	2 800	3 800	4,85	T7FC 085	7FC	
180	44,5	297	285	32	2 800	3 800	4,6	▶ 31317	7GB	
180	44,5	372	365	40,5	3 000	3 800	4,85	▶ 30317	2GB	
180	63,5	417	560	62	3 000	3 600	7,6	32317 B	5GD	
180	63,5	435	530	60	3 000	3 800	7,1	▶ 32317	2GD	

8.1

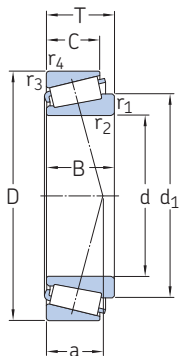


Dimensions							Abutment and fillet dimensions							Calculation factors				
d	d ₁ ≈	B	C	r _{1,2} min.	r _{3,4} min.	a	d _a max.	d _b min.	D _a min.	D _a max.	D _b min.	C _a min.	C _b min.	r _a max.	r _b max.	e	Y	Y ₀
mm							mm							-				
80	94,8	20	16	1	1	19	86	88,5	102	102	106	4	4	1	1	0,35	1,7	0,9
	103	29	22	1,5	1,5	26	90	90	112	116	120	6	7	1,5	1,5	0,43	1,4	0,8
	102	36	29,5	1,5	1,5	25	90	89,5	112	116	119	6	6,5	1,5	1,5	0,28	2,1	1,1
	104	34	28,5	3	2,5	28	90	93	114	119	124	6	6,5	3	2,5	0,4	1,5	0,8
	105	37	29	2	1,5	30	89	91	114	121	126	6	8	2	1,5	0,43	1,4	0,8
	105	26	22	2,5	2	27	92	92	124	130	132	4	6	2,5	2	0,43	1,4	0,8
	106	33	28	2,5	2	30	91	92	122	130	134	5	7	2,5	2	0,43	1,4	0,8
	110	46	35	2,5	2	34	90	92	119	130	135	7	11	2,5	2	0,43	1,4	0,8
	125	41	31	3	3	53	94	93,5	121	148	152	5	14	3	3	0,88	0,68	0,4
	125	39	27	3	2,5	51	97	93,5	134	159	159	5	15,5	3	2,5	0,83	0,72	0,4
122	39	33	3	2,5	33	103	93,5	148	158	159	5	9,5	3	2,5	0,35	1,7	0,9	
128	58	48	3	2,5	49	97	93,5	130	159	160	7	13,5	3	2,5	0,54	1,1	0,6	
120	58	48	3	2,5	40	98	93,5	142	159	159	7	13,5	3	2,5	0,35	1,7	0,9	
85	101	23	18	1,5	1,5	21	93	94,5	111	111	115	4	5	1,5	1,5	0,33	1,8	1
	108	29	22	1,5	1,5	27	95	95	117	121	125	6	7	1,5	1,5	0,44	1,35	0,8
	107	29	24	3	2,5	29	94	98	115	119	125	5	6	3	2,5	0,44	1,35	0,8
	107	36	29,5	1,5	1,5	26	95	95	118	121	125	6	6,5	1,5	1,5	0,3	2	1,1
	112	41	32	2,5	2	32	95	97	122	130	135	7	9	2,5	2	0,4	1,5	0,8
	112	28	24	2,5	2	29	97	97	132	140	141	5	6,5	2,5	2	0,43	1,4	0,8
	113	36	30	2,5	2	33	97	97	130	140	142	5	8,5	2,5	2	0,43	1,4	0,8
	117	49	37	2,5	2	36	96	97	128	140	144	7	12	2,5	2	0,43	1,4	0,8
	132	45	33	4	4	53	100	100	131	156	161	6	15	4	4	0,79	0,76	0,4
	131	41	28	4	3	53	104	100	143	167	169	5	16,5	4	3	0,83	0,72	0,4
	126	41	34	4	3	34	108	100	156	167	167	5	10,5	4	3	0,35	1,7	0,9
	135	60	49	4	3	51	102	100	138	168	169	7	14,5	4	3	0,54	1,1	0,6
	127	60	49	4	3	41	103	100	150	167	167	7	14,5	4	3	0,35	1,7	0,9



8.1 Metric single row tapered roller bearings

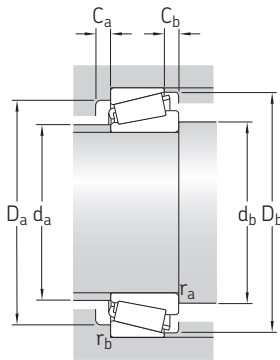
d 90 – 100 mm



Principal dimensions			Basic load ratings		Fatigue load limit	Speed ratings		Mass	Designation	Dimension series to ISO 355 (ABMA)	
d	D	T	C	C ₀	P _u	Reference speed	Limiting speed				
mm			kN		kN	r/min		kg	–	–	
90	125	23	119	166	18,3	4 000	4 800	0,83	32918	2CC	
	140	32	208	270	31	3 600	4 300	1,75	▶ 32018 X	3CC	
	140	39	266	355	39	3 600	4 500	2,2	▶ 33018	2CE	
	145	35	246	305	33,5	3 600	4 300	2,15	JM 718149 A/110	M 718100	
	145	35	246	305	33,5	3 600	4 300	2,15	JM 718149/110	M 718100	
	150	45	310	390	43	3 400	4 300	3,1	▶ 33118	3DE	
	160	32,5	240	245	28,5	3 400	4 000	2,5	▶ 30218	3FB	
	160	42,5	309	340	38	3 400	4 000	3,35	▶ 32218	3FC	
	160	55	415	520	57	3 000	4 000	4,6	▶ 33218	3FE	
	190	46,5	283	315	35,5	2 400	3 400	5,4	▶ 31318	7GB	
	190	46,5	353	400	44	2 600	3 600	5,65	▶ 30318	2GB	
	190	67,5	487	610	65,5	2 600	3 600	8,4	▶ 32318	2GD	
190	67,5	540	630	69,5	2 800	3 400	8,95	32318 B	5GD		
95	130	23	121	173	18,6	3 800	4 500	0,86	32919	2CC	
	145	32	206	270	30,5	3 400	4 300	1,85	▶ 32019 X	4CC	
	145	39	272	375	40,5	3 400	4 300	2,3	▶ 33019	2CE	
	170	34,5	266	275	31,5	3 200	3 800	3	▶ 30219	3FB	
	170	45,5	348	390	43	3 200	3 800	4,1	▶ 32219	3FC	
	170	58	460	560	62	2 800	3 800	5,45	▶ 33219	3FE	
	200	49,5	314	355	39	2 400	3 400	6,3	▶ 31319	7GB	
	200	49,5	353	390	42,5	2 600	3 400	6,45	30319	2GB	
	200	71,5	535	670	72	2 400	3 400	9,8	▶ 32319	2GD	
	100	140	25	147	204	22,4	3 400	4 300	1,15	▶ 32920	2CC
		145	24	154	190	20,8	3 400	4 300	1,2	▶ T4CB 100	4CB
		150	32	209	280	31	3 200	4 000	1,9	32020 X	4CC
150		39	278	390	41,5	3 400	4 000	2,4	▶ 33020	2CE	
165		47	383	480	52	3 200	3 800	3,9	▶ T2EE 100	2EE	
180		37	304	320	36	3 000	3 600	3,65	▶ 30220	3FB	
180		49	390	440	48	3 000	3 600	4,95	▶ 32220	3FC	
180		63	532	655	71	2 600	3 600	6,75	▶ 33220	3FE	
215		51,5	431	490	53	2 400	3 200	7,95	▶ 30320	2GB	
215		56,5	399	465	51	2 200	3 000	8,6	▶ 31320 X	7GB	
215		77,5	617	780	83	2 200	3 200	12,5	▶ 32320	2GD	

SKF Explorer bearing

▶ Popular item

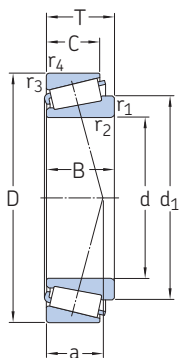


Dimensions							Abutment and fillet dimensions								Calculation factors				
d	d ₁ ≈	B	C	r _{1,2} min.	r _{3,4} min.	a	d _a max.	d _b min.	D _a min.	D _a max.	D _b min.	C _a min.	C _b min.	r _a max.	r _b max.	e	Y	Y ₀	
mm							mm								-				
90	106	23	18	1,5	1,5	22	98	100	116	116	120	4	5	1,5	1,5	0,35	1,7	0,9	
	115	32	24	2	1,5	29	100	101	125	131	134	6	8	2	1,5	0,43	1,4	0,8	
	114	39	32,5	2	1,5	27	101	101	127	131	135	7	6,5	2	1,5	0,27	2,2	1,3	
	117	34	27	6	2,5	32	100	109	127	134	139	6	8	6	2,5	0,44	1,35	0,8	
	117	34	27	3	2,5	32	100	103	127	134	139	6	8	3	2,5	0,44	1,35	0,8	
	120	45	35	2,5	2	34	101	102	130	140	144	7	10	2,5	2	0,4	1,5	0,8	
	120	30	26	2,5	2	31	104	102	140	150	150	5	6,5	2,5	2	0,43	1,4	0,8	
	121	40	34	2,5	2	35	103	102	138	150	152	5	8,5	2,5	2	0,43	1,4	0,8	
	125	55	42	2,5	2	40	101	102	135	150	154	8	13	2,5	2	0,43	1,4	0,8	
	138	43	30	4	3	57	110	105	151	177	179	5	16,5	4	3	0,83	0,72	0,4	
	133	43	36	4	3	36	114	105	165	177	176	6	10,5	4	3	0,35	1,7	0,9	
	133	64	53	4	3	44	109	105	157	177	177	7	14,5	4	3	0,35	1,7	0,9	
	141	64	53	4	3	55	107	105	145	177	179	7	14,5	4	3	0,54	1,1	0,6	
	95	112	23	18	1,5	1,5	23	103	105	121	121	125	4	5	1,5	1,5	0,35	1,7	0,9
120		32	24	2	1,5	31	106	106	130	136	140	6	8	2	1,5	0,44	1,35	0,8	
118		39	32,5	2	1,5	28	105	106	131	136	139	7	6,5	2	1,5	0,28	2,1	1,1	
126		32	27	3	2,5	32	110	108	149	158	159	5	7,5	3	2,5	0,43	1,4	0,8	
128		43	37	3	2,5	38	109	108	145	158	161	5	8,5	3	2,5	0,43	1,4	0,8	
132		58	44	3	2,5	42	107	108	144	158	163	9	14	3	2,5	0,4	1,5	0,8	
145		45	32	4	3	59	114	111	157	187	187	5	17,5	4	3	0,83	0,72	0,4	
139		45	38	4	3	38	119	111	172	187	184	7	11,5	4	3	0,35	1,7	0,9	
141		67	55	4	3	47	115	111	166	187	186	8	16,5	4	3	0,35	1,7	0,9	
100		119	25	20	1,5	1,5	23	110	110	131	131	135	5	5	1,5	1,5	0,33	1,8	1
		121	22,5	17,5	3	3	29	109	113	133	133	140	4	6,5	3	3	0,48	1,25	0,7
	125	32	24	2	1,5	32	110	111	134	141	144	6	8	2	1,5	0,46	1,3	0,7	
	122	39	32,5	2	1,5	28	109	111	135	141	143	7	6,5	2	1,5	0,28	2,1	1,1	
	129	46	39	3	3	35	111	113	145	152	157	7	8	3	3	0,31	1,9	1,1	
	134	34	29	3	2,5	35	116	113	157	168	168	5	8	3	2,5	0,43	1,4	0,8	
	136	46	39	3	2,5	40	115	113	154	168	171	5	10	3	2,5	0,43	1,4	0,8	
	139	63	48	3	2,5	44	112	113	151	168	172	10	15	3	2,5	0,4	1,5	0,8	
	149	47	39	4	3	40	128	116	184	202	197	6	12,5	4	3	0,35	1,7	0,9	
	158	51	35	4	3	64	121	116	168	202	202	7	21,5	4	3	0,83	0,72	0,4	
	152	73	60	4	3	51	123	116	177	202	200	8	17,5	4	3	0,35	1,7	0,9	



8.1 Metric single row tapered roller bearings

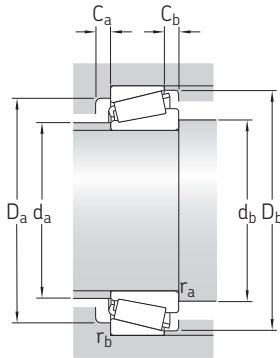
d 105 – 130 mm



Principal dimensions			Basic load ratings		Fatigue load limit	Speed ratings		Mass	Designation	Dimension series to ISO 355 (ABMA)	
d	D	T	C	C ₀	P _u	Reference speed	Limiting speed				
mm			kN		kN	r/min		kg	–	–	
105	145	25	149	212	22,8	3 400	4 000	1,2	32921	2CC	
	160	35	248	335	37,5	3 200	3 800	2,45	▶ 32021 X	4DC	
	160	43	303	430	45,5	3 200	3 800	3	▶ 33021	2DE	
	190	39	333	355	40	2 800	3 400	4,3	▶ 30221	3FB	
	190	53	443	510	55	2 800	3 400	6	▶ 32221	3FC	
	225	53,5	462	530	57	2 200	3 000	9,1	30321	2GB	
	225	58	429	500	53	2 000	3 000	9,65	31321 X	7GB	
	225	81,5	645	815	85	2 000	3 000	14	▶ 32321	2GD	
	110	150	25	154	224	24	3 200	4 000	1,25	32922	2CC
		165	35	256	355	37,5	3 000	3 600	2,55	JM 822049/010	M 822000
170		38	288	390	40	3 000	3 600	3,05	▶ 32022 X	4DC	
170		47	343	500	53	3 000	3 600	3,85	▶ 33022	2DE	
180		56	455	630	65,5	2 800	3 400	5,5	33122	3EE	
200		41	327	405	43	2 600	3 200	5,05	▶ 30222	3FB	
200		56	491	570	61	2 600	3 200	7,1	▶ 32222	3FC	
240		54,5	507	585	62	2 200	2 800	11	30322	2GB	
240		63	491	585	61	1 900	2 800	12	▶ 31322 X	7GB	
240		84,5	675	830	86,5	1 900	2 800	16,5	▶ 32322	2GD	
120	165	29	204	305	32	3 000	3 600	1,8	▶ 32924	2CC	
	170	27	195	250	26,5	2 800	3 600	1,75	▶ T4CB 120	4CB	
	180	38	299	415	42,5	2 800	3 400	3,3	▶ 32024 X	4DC	
	180	48	356	540	56	2 800	3 400	4,2	▶ 33024	2DE	
	215	43,5	417	465	49	2 400	3 000	6,15	▶ 30224	4FB	
	215	61,5	573	695	72	2 400	3 000	9,05	▶ 32224	4FD	
	260	59,5	601	710	73,5	2 000	2 600	13,5	▶ 30324	2GB	
	260	68	578	695	72	1 700	2 400	15,5	▶ 31324 X	7GB	
	260	90,5	855	1 120	110	1 800	2 600	21,5	▶ 32324	2GD	
	130	180	32	245	365	38	2 600	3 200	2,4	▶ 32926	2CC
200		45	388	540	55	2 400	3 000	4,95	▶ 32026 X	4EC	
200		55	470	680	69,5	2 400	3 000	6,15	33026	2EE	
230		43,75	451	490	51	2 200	2 800	6,85	▶ 30226	4FB	
230		67,75	590	830	85	2 000	2 800	11	▶ 32226	4FD	
280		63,75	679	800	81,5	1 800	2 400	17	▶ 30326	2GB	
280		72	647	780	80	1 600	2 400	18,5	▶ 31326 X	7GB	
280		98,75	1 019	1 340	132	1 600	2 400	27,5	32326	2GD	

SKF Explorer bearing

▶ Popular item

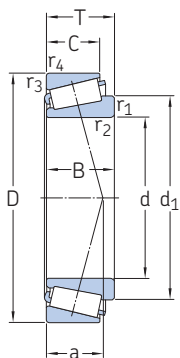


Dimensions							Abutment and fillet dimensions								Calculation factors			
d	d ₁ ≈	B	C	r _{1,2} min.	r _{3,4} min.	a	d _a max.	d _b min.	D _a min.	D _a max.	D _b min.	C _a min.	C _b min.	r _a max.	r _b max.	e	Y	Y ₀
mm							mm								-			
105	124	25	20	1,5	1,5	25	114	115	135	135	140	5	5	1,5	1,5	0,35	1,7	0,9
	132	35	26	2,5	2	34	116	117	143	149	154	6	9	2,5	2	0,44	1,35	0,8
	131	43	34	2,5	2	30	117	117	145	149	153	7	9	2,5	2	0,28	2,1	1,1
	143	36	30	3	2,5	37	123	118	165	178	177	5	9	3	2,5	0,43	1,4	0,8
	143	50	43	3	2,5	44	121	119	161	178	180	6	10	3	2,5	0,43	1,4	0,8
	155	49	41	4	3	41	133	121	193	212	206	7	12,5	4	3	0,35	1,7	0,9
	165	53	36	4	3	67	127	121	176	212	211	7	22	4	3	0,83	0,72	0,4
	158	77	63	4	3	53	129	121	185	212	209	9	18,5	4	3	0,35	1,7	0,9
110	129	25	20	1,5	1,5	26	119	120	140	140	145	5	5	1,5	1,5	0,35	1,7	0,9
	137	35	26,5	3	2,5	37	119	123	145	153	158	6	8,5	3	2,5	0,5	1,2	0,7
	140	38	29	2,5	2	36	123	122	152	159	163	7	9	2,5	2	0,43	1,4	0,8
	139	47	37	2,5	2	33	123	122	152	159	161	7	10	2,5	2	0,28	2,1	1,1
	146	56	43	2,5	2	43	122	123	155	169	174	9	13	2,5	2	0,43	1,4	0,8
	149	38	32	3	2,5	39	129	124	174	188	187	6	9	3	2,5	0,43	1,4	0,8
	151	53	46	3	2,5	46	127	124	170	188	190	6	10	3	2,5	0,43	1,4	0,8
	166	50	42	4	3	42	142	126	206	226	220	8	12,5	4	3	0,35	1,7	0,9
	176	57	38	4	3	72	136	126	188	227	224	8	25	4	3	0,83	0,72	0,4
	169	80	65	4	3	55	138	126	198	227	222	9	19,5	4	3	0,35	1,7	0,9
120	142	29	23	1,5	1,5	28	130	130	154	155	160	5	6	1,5	1,5	0,35	1,7	0,9
	143	25	19,5	3	3	34	131	133	157	157	164	5	7,5	3	3	0,48	1,25	0,7
	150	38	29	2,5	2	38	132	133	161	169	173	7	9	2,5	2	0,46	1,3	0,7
	149	48	38	2,5	2	36	132	133	160	169	171	6	10	2,5	2	0,3	2	1,1
	161	40	34	3	2,5	42	141	134	187	203	201	6	9,5	3	2,5	0,43	1,4	0,8
	164	58	50	3	2,5	51	137	134	181	203	204	7	11,5	3	2,5	0,43	1,4	0,8
	178	55	46	4	3	47	153	136	221	246	237	8	13,5	4	3	0,35	1,7	0,9
	191	62	42	4	3	78	146	136	203	246	244	9	26	4	3	0,83	0,72	0,4
	181	86	69	4	3	59	148	136	213	246	239	10	21,5	4	3	0,35	1,7	0,9
130	153	32	25	2	1,5	31	141	142	167	170	173	6	7	2	1,5	0,33	1,8	1
	165	45	34	2,5	2	42	144	143	178	189	192	7	11	2,5	2	0,43	1,4	0,8
	165	55	43	2,5	2	42	144	143	178	189	192	8	12	2,5	2	0,35	1,7	0,9
	173	40	34	4	3	44	152	146	203	216	217	6	9,5	4	3	0,43	1,4	0,8
	176	64	54	4	3	55	146	146	193	216	219	7	13,5	4	3	0,43	1,4	0,8
	192	58	49	5	4	50	165	149	239	264	255	8	14,5	5	4	0,35	1,7	0,9
	204	66	44	5	4	83	157	149	218	264	261	8	28	5	4	0,83	0,72	0,4
	196	93	78	5	5	65	160	149	230	262	260	10	20,5	5	5	0,35	1,7	0,9



8.1 Metric single row tapered roller bearings

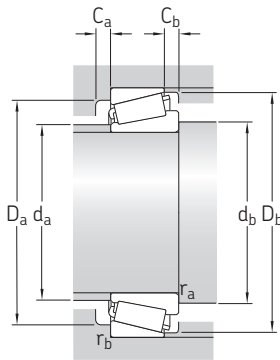
d 140 – 180 mm



Principal dimensions			Basic load ratings		Fatigue load limit	Speed ratings		Mass	Designation	Dimension series to ISO 355 (ABMA)	
d	D	T	dynamic	static		Reference speed	Limiting speed				
mm			kN		kN	r/min		kg	–	–	
140	190	32	252	390	40	2 600	3 000	2,55	▶ 32928	2CC	
	195	29	241	325	33,5	2 400	3 000	2,4	▶ T4CB 140	4CB	
	210	45	404	585	58,5	2 400	2 800	5,25	▶ 32028 X	4DC	
	250	45,75	451	570	58,5	1 900	2 600	8,7	▶ 30228	4FB	
	250	71,75	691	1 000	100	1 900	2 600	14	▶ 32228	4FD	
	300	67,75	787	950	93	1 700	2 200	20,5	30328	2GB	
	300	77	737	900	90	1 500	2 200	22,5	▶ 31328 X	7GB	
	300	107,75	1 220	1 660	156	1 600	2 200	34,5	32328	2GD	
	150	210	32	287	390	40	2 200	2 800	3,1	▶ T4DB 150	4DB
		210	38	346	530	52	2 200	2 800	3,95	32930	2DC
225		48	456	655	65,5	2 200	2 600	6,4	▶ 32030 X	4DC	
225		59	487	865	85	2 200	2 600	8,05	33030	2EE	
270		49	455	560	57	1 800	2 400	10,5	30230	4GB	
270		77	782	1 140	112	1 700	2 400	18	▶ 32230	4GD	
320		72	879	1 060	104	1 600	2 000	25	▶ 30330	2GB	
320		82	832	1 020	100	1 400	2 000	27	▶ 31330 X	7GB	
160		220	32	257	415	41,5	2 200	2 600	3,25	▶ T4DB 160	4DB
		220	38	349	540	53	2 200	2 600	4,2	32932	2DC
	240	51	532	780	76,5	2 000	2 400	7,8	▶ 32032 X	4EC	
	245	61	649	980	96,5	2 000	2 400	10,5	T4EE 160	4EE	
	290	52	566	735	72	1 600	2 200	13	▶ 30232	4GB	
	290	84	934	1 400	132	1 600	2 200	23	▶ 32232	4GD	
	340	75	970	1 180	114	1 500	2 000	29	▶ 30332	2GB	
	170	230	32	307	440	43	2 000	2 600	3,45	▶ T4DB 170	4DB
		230	38	351	585	55	2 000	2 400	4,5	▶ 32934	3DC
		260	57	625	915	88	1 900	2 200	10,5	▶ 32034 X	4EC
310		57	657	865	83	1 500	2 000	16,5	▶ 30234	4GB	
310		91	1 075	1 630	150	1 500	2 000	28,5	▶ 32234	4GD	
360		80	1 103	1 340	129	1 400	1 800	34,5	30334	2GB	
180		240	32	309	450	44	2 000	2 400	3,65	T4DB 180	4DB
		250	45	435	735	68	1 900	2 200	6,65	▶ 32936	4DC
		280	64	793	1 160	110	1 700	2 200	14	▶ 32036 X	3FD
		320	57	629	815	80	1 500	2 000	17	▶ 30236	4GB
	320	91	1 069	1 630	150	1 400	1 900	29,5	▶ 32236	4GD	

SKF Explorer bearing

▶ Popular item

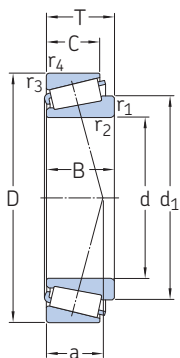


Dimensions							Abutment and fillet dimensions								Calculation factors			
d	d ₁ ≈	B	C	r _{1,2} min.	r _{3,4} min.	a	d _a max.	d _b min.	D _a min.	D _a max.	D _b min.	C _a min.	C _b min.	r _a max.	r _b max.	e	Y	Y ₀
mm							mm								-			
140	164	32	25	2	1,5	33	151	152	177	180	184	6	7	2	1,5	0,35	1,7	0,9
	165	27	21	3	3	40	150	154	180	182	189	6	8	3	3	0,5	1,2	0,7
	175	45	34	2,5	2	45	153	153	187	199	202	8	11	2,5	2	0,46	1,3	0,7
	187	42	36	4	3	47	164	156	219	236	234	8	9,5	4	3	0,43	1,4	0,8
	191	68	58	4	3	59	159	156	210	236	238	8	13,5	4	3	0,43	1,4	0,8
	205	62	53	5	4	54	176	159	255	284	273	8	14,5	5	4	0,35	1,7	0,9
	220	70	47	5	4	90	169	159	235	284	280	9	30	5	4	0,83	0,72	0,4
212	102	85	5	4	71	172	159	247	284	280	12	22,5	5	4	0,35	1,7	0,9	
150	177	30	23	3	3	41	162	164	194	196	203	5	9	3	3	0,46	1,3	0,7
	177	38	30	2,5	2	35	163	163	194	198	202	7	8	2,5	2	0,33	1,8	1
	187	48	36	3	2,5	48	165	164	200	212	216	8	12	3	2,5	0,46	1,3	0,7
	188	59	46	3	2,5	48	165	164	200	212	217	8	13	3	2,5	0,37	1,6	0,9
	200	45	38	4	3	50	176	167	234	256	250	9	11	4	3	0,43	1,4	0,8
	205	73	60	4	3	64	171	167	226	256	254	8	17	4	3	0,43	1,4	0,8
	223	65	55	5	4	58	189	169	273	303	292	9	17	5	4	0,35	1,7	0,9
	234	75	50	5	4	96	181	169	251	304	300	9	32	5	4	0,83	0,72	0,4
160	187	30	23	3	3	44	172	174	204	206	213	5	9	3	3	0,48	1,25	0,7
	188	38	30	2,5	2	38	173	173	204	208	212	7	8	2,5	2	0,35	1,7	0,9
	200	51	38	3	2,5	51	176	175	213	227	231	8	13	3	2,5	0,46	1,3	0,7
	204	59	50	6	4	57	174	181	212	229	236	10	11	6	4	0,44	1,35	0,8
	215	48	40	4	3	53	190	177	252	276	269	7	12	4	3	0,43	1,4	0,8
	222	80	67	4	3	69	183	177	242	276	274	10	17	4	3	0,43	1,4	0,8
	233	68	58	5	4	61	201	179	290	323	310	9	17	5	4	0,35	1,7	0,9
170	197	30	23	3	3	44	182	184	215	216	223	6	9	3	3	0,46	1,3	0,7
	200	38	30	2,5	2	41	183	183	213	218	222	7	8	2,5	2	0,37	1,6	0,9
	214	57	43	3	2,5	55	188	185	230	247	249	10	14	3	2,5	0,44	1,35	0,8
	231	52	43	5	4	58	203	189	269	293	288	8	14	5	4	0,43	1,4	0,8
	238	86	71	5	4	75	196	189	259	293	294	10	20	5	4	0,43	1,4	0,8
	248	72	62	5	4	65	213	190	307	343	329	9	18	5	4	0,35	1,7	0,9
180	207	30	23	3	3	47	191	195	224	226	233	6	9	3	3	0,48	1,25	0,7
	216	45	34	2,5	2	53	194	194	225	238	241	8	11	2,5	2	0,48	1,25	0,7
	230	64	48	3	2,5	59	200	195	247	267	267	10	16	3	2,5	0,43	1,4	0,8
	240	52	43	5	4	60	212	199	278	303	297	8	14	5	4	0,46	1,3	0,7
	247	86	71	5	4	77	205	199	267	303	303	10	20	5	4	0,46	1,3	0,7



8.1 Metric single row tapered roller bearings

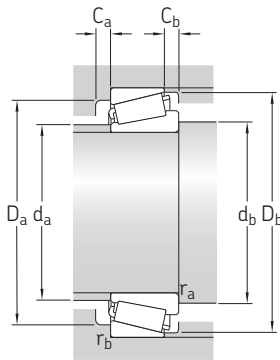
d 190 – 360 mm



Principal dimensions			Basic load ratings		Fatigue load limit	Speed ratings		Mass	Designation	Dimension series to ISO 355 (ABMA)
d	D	T	dynamic	static		Reference speed	Limiting speed			
			C	C ₀	P _u					
mm			kN		kN	r/min	kg	–		
190	260	45	443	765	72	1 800	2 200	7	▶ 32938 JM 738249/210 ▶ 32038 X	4DC
	260	46	443	765	72	1 800	2 200	7,1		M 738200
	290	64	806	1 200	112	1 600	2 000	15		4FD
	340	60	763	1 000	95	1 400	1 800	20,5	▶ 30238 ▶ 32238	4GB
	340	97	1 267	1 930	176	1 300	1 800	36		4GD
	200	270	37	401	600	57	1 700	2 200	5,45	▶ T4DB 200 ▶ 32940 ▶ 32040 X
280		51	588	950	88	1 700	2 000	9,5	3EC	
310		70	800	1 370	127	1 400	1 900	19	4FD	
360		64	845	1 120	106	1 300	1 700	24,5	▶ 30240 ▶ 32240	4GB
360		104	1 300	2 000	180	1 300	1 700	42,5		3GD
220		285	41	489	830	75	1 600	2 000	6,45	▶ T2DC 220 ▶ 32944 ▶ 32044 X
	300	51	601	1 000	91,5	1 500	1 900	10	3EC	
	340	76	955	1 660	150	1 300	1 700	24,5	4FD	
	400	72	1 059	1 400	127	1 200	1 600	34,5	▶ 30244 ▶ 32244	3GB
	400	114	1 720	2 700	232	1 100	1 500	59,5		4GD
	240	320	42	458	815	73,5	1 400	1 700	8,45	▶ T4EB 240 ▶ 32948 T2EE 240
320		51	624	1 080	96,5	1 400	1 700	11	4EC	
320		57	761	1 320	118	1 400	1 700	12,5	2EE	
360		76	989	1 800	156	1 200	1 600	26,5	▶ 32048 X 30248 32248	4FD
440		79	1 300	1 760	156	1 000	1 400	47		3GB
440		127	1 918	3 350	270	1 000	1 300	81,5		4GD
260	360	63,5	910	1 530	134	1 300	1 600	19	▶ 32952 ▶ 32052 X 32252	3EC
	400	87	1 241	2 200	190	1 100	1 400	38		4FC
	480	137	2 340	3 650	300	900	1 200	105		4GD
280	380	63,5	950	1 660	143	1 200	1 400	20	▶ 32956 ▶ 32056 X 32256	4EC
	420	87	1 288	2 360	200	1 000	1 300	40,5		4FC
	500	137	2 410	3 900	310	850	1 200	108		4GD
300	420	76	1 126	2 240	186	950	1 300	31,5	▶ 32960 32060 X 32260	3FD
	460	100	1 644	3 000	245	900	1 200	58		4GD
	540	149	2 935	4 750	365	800	1 100	140		4GD
320	440	76	1 156	2 360	193	900	1 200	33,5	32964 32064 X 32264	3FD
	480	100	1 663	3 100	250	850	1 100	64		4GD
	580	159	3 353	5 500	415	750	1 000	174		4GD
340	460	76	1 163	2 400	196	850	1 200	35	32968	4FD
360	480	76	1 191	2 550	204	800	1 100	37	32972	4FD

SKF Explorer bearing

▶ Popular item

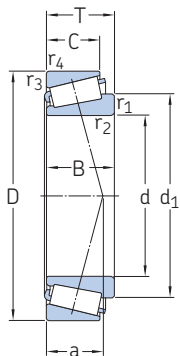


Dimensions							Abutment and fillet dimensions								Calculation factors			
d	d ₁ ≈	B	C	r _{1,2} min.	r _{3,4} min.	a	d _a max.	d _b min.	D _a min.	D _a max.	D _b min.	C _a min.	C _b min.	r _a max.	r _b max.	e	Y	Y ₀
mm							mm								-			
190	227	45	34	2,5	2	54	205	204	235	248	251	8	11	2,5	2	0,48	1,25	0,7
	227	44	36,5	3	2,5	54	205	205	235	247	252	8	9,5	3	2,5	0,48	1,25	0,7
	240	64	48	3	2,5	62	210	205	257	276	279	10	16	3	2,5	0,44	1,35	0,8
	254	55	46	5	4	63	225	210	298	323	318	8	14	5	4	0,43	1,4	0,8
	261	92	75	5	4	80	217	210	286	323	323	12	22	5	4	0,43	1,4	0,8
200	232	34	27	3	3	53	214	215	251	255	262	6	10	3	3	0,48	1,25	0,7
	240	51	39	3	2,5	53	217	215	257	266	271	9	12	3	2,5	0,4	1,5	0,8
	254	70	53	3	2,5	65	222	215	273	296	297	11	17	3	2,5	0,43	1,4	0,8
	269	58	48	5	4	67	237	220	315	343	336	9	16	5	4	0,43	1,4	0,8
	274	98	82	4	4	82	231	218	302	343	340	11	22	4	4	0,4	1,5	0,8
220	249	40	33	4	3	45	233	237	270	270	277	7	8	4	3	0,31	1,9	1,1
	259	51	39	3	2,5	58	235	236	275	286	290	9	12	3	2,5	0,43	1,4	0,8
	280	76	57	4	3	72	244	238	300	325	326	12	19	4	3	0,43	1,4	0,8
	295	65	54	5	4	73	259	240	348	382	371	10	18	5	4	0,43	1,4	0,8
	306	108	90	5	4	95	253	240	334	382	379	13	24	5	4	0,43	1,4	0,8
240	276	39	30	3	3	60	256	256	299	305	310	8	12	3	3	0,46	1,3	0,7
	280	51	39	3	2,5	64	255	256	294	306	311	9	12	3	2,5	0,46	1,3	0,7
	277	56	46	6	4	57	254	262	296	303	311	9	11	6	4	0,35	1,7	0,9
	300	76	57	4	3	77	262	258	318	345	346	12	19	4	3	0,46	1,3	0,7
	324	72	60	4	4	80	285	261	383	420	409	8	19	4	4	0,43	1,4	0,8
	346	120	100	5	4	105	276	262	365	420	415	7	27	4	3	0,43	1,4	0,8
260	308	63,5	48	3	2,5	68	280	276	328	345	347	11	15,5	3	2,5	0,4	1,5	0,8
	328	87	65	5	4	84	288	281	352	382	383	14	22	5	4	0,43	1,4	0,8
	366	130	106	5	5	112	303	286	401	458	454	10	31	5	4	0,43	1,4	0,8
280	329	63,5	48	3	2,5	74	299	297	348	365	368	11	15,5	3	2,5	0,43	1,4	0,8
	348	87	65	5	4	89	306	301	370	402	402	14	22	5	4	0,46	1,3	0,7
	384	130	106	6	5	116	319	302	418	478	473	10	31	5	4	0,44	1,35	0,8
300	359	76	57	4	3	79	325	319	383	404	405	13	19	4	3	0,4	1,5	0,8
	377	100	74	5	4	97	330	322	404	440	439	10	26	4	3	0,43	1,4	0,8
	412	140	115	6	5	126	343	326	453	518	511	10	34	5	4	0,43	1,4	0,8
320	379	76	57	4	3	84	343	337	402	424	426	9	19	3	2,5	0,43	1,4	0,8
	399	100	74	5	4	103	350	342	424	460	461	10	26	4	3	0,46	1,3	0,7
	442	150	125	6	5	133	368	343	486	559	550	12	34	6	5	0,43	1,4	0,8
340	399	76	57	4	3	90	361	357	421	444	446	14	19	3	2,5	0,44	1,35	0,8
360	419	76	57	4	3	96	380	377	439	464	466	10	19	3	2,5	0,46	1,3	0,7



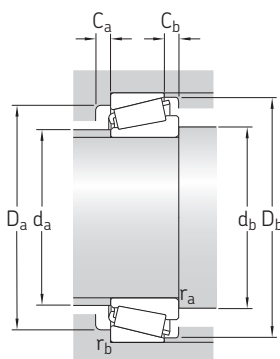
8.2 Inch single row tapered roller bearings

d 15 – 27,487 mm
0.5906 – 1.0822 in.



Principal dimensions			Basic load ratings		Fatigue load limit	Speed ratings		Mass	Designation	Series
d	D	T	dynamic	static		Reference speed	Limiting speed			
mm/in.			kN		kN	r/min		kg	–	–
15 0.5906	34,988 1.3775	10,998 0.433	16,5	13,2	1,29	17 000	22 000	0,051	A 4059/A 4138	A 4000
15,875 0.625	42,862 1.6875	14,288 0.5625	21,5	17,6	1,8	13 000	17 000	0,1	11590/11520	11500
17,462 0.6875	39,878 1.57	13,843 0.545	26,1	20,8	2,12	15 000	18 000	0,082	▶ LM 11749/710	LM 11700
19,05 0.75	45,237 1.781	15,494 0.61	33,8	27,5	2,9	13 000	16 000	0,12	▶ LM 11949/910	LM 11900
21,43 0.8437	50,005 1.9687	17,526 0.69	45,4	38	4,15	12 000	15 000	0,17	M 12649/610	M 12600
22 0.8661	45,237 1.781	15,494 0.61	33,9	31	3,2	12 000	15 000	0,12	▶ LM 12749/710	LM 12700
	45,974 1.81	15,494 0.61	33,9	31	3,2	12 000	15 000	0,12	LM 12749/711	LM 12700
22,225 0.875	52,388 2.0625	19,368 0.7625	51,5	44	4,8	11 000	14 000	0,2	1380/1328	1300
25,4 1	50,292 1.98	14,224 0.56	32	30	3	11 000	13 000	0,13	▶ L 44643/610	L 44600
	57,15 2.25	17,462 0.6875	49,1	45,5	4,9	10 000	12 000	0,22	15578/15520	15500
	57,15 2.25	19,431 0.765	48,8	45	5	10 000	12 000	0,24	M 84548/510	M 84500
26,162 1.03	62 2.4409	19,05 0.75	59,5	57	6,2	9 000	11 000	0,3	15101/15245	15000
	61,912 2.4375	19,05 0.75	59,5	57	6,2	9 000	11 000	0,29	15103 S/15243	15000
	62 2.4409	19,05 0.75	59,5	57	6,2	9 000	11 000	0,29	15103 S/15245	15000
26,988 1.0625	50,292 1.98	14,224 0.56	32	30	3	11 000	13 000	0,12	▶ L 44649/610	L 44600
27,487 1.0822	57,159 2.2504	19,845 0.7813	55,6	51	5,6	10 000	12 000	0,23	1982/1924 A	1900

SKF Explorer bearing
▶ Popular item



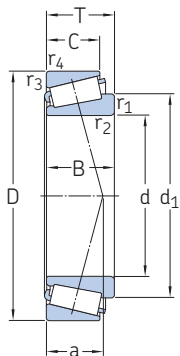
Dimensions			Abutment and fillet dimensions										Calculation factors						
d	d ₁ ≈	B	C	r _{1,2} min.	r _{3,4} min.	a	d _a max.	d _b min.	D _a min.	D _a max.	D _b min.	C _a min.	C _b min.	r _a max.	r _b max.	e	Y	Y ₀	
mm/in.							mm										-		
15 0.5906	25,3	10,988 0.436	8,73 0.3437	0,8 0.03	1,3 0.05	8	20	20,5	28	29	31	2	2	0,8	1,3	0,46	1,3	0,7	
15,875 0.625	31,1	14,288 0.5625	9,525 0.375	1,5 0.06	1,5 0.06	12	23	23,5	32	36,5	38	2	4,5	1,5	1,5	0,72	0,84	0,45	
17,462 0.6875	28,7	14,605 0.575	10,668 0.42	1,3 0.05	1,3 0.05	8	23	24,5	35	34	36	2	3	1,3	1,3	0,28	2,1	1,1	
19,05 0.75	31,4	16,6373 0.655	12,065 0.475	1,3 0.05	1,3 0.05	9	26	26	38	39	41	3	3	1,3	1,3	0,3	2	1,1	
21,43 0.8437	34,6	18,288 0.72	13,97 0.55	1,3 0.05	1,3 0.05	10	28	28,5	43	43,5	46	3	3,5	1,3	1,3	0,28	2,1	1,1	
22 0.8661	34,8	16,637 0.655	12,065 0.475	1,3 0.05	1,3 0.05	10	28	29	39	39	42	3	3	1,3	1,3	0,31	1,9	1,1	
	34,8	16,637 0.655	12,065 0.475	1,3 0.05	1,3 0.05	10	28	29	39	40	42	3	3	1,3	1,3	0,31	1,9	1,1	
22,225 0.875	36	20,168 0.794	14,288 0.5625	1,5 0.06	1,5 0.06	11	29	30	45	45,5	48	4	5	1,5	1,5	0,3	2	1,1	
25,4 1	39,6	14,732 0.58	10,668 0.42	1,3 0.05	1,3 0.05	10	33	32,5	44	44	47	2	3,5	1,3	1,3	0,37	1,6	0,9	
	42,3	17,462 0.6875	13,495 0.5313	1,3 0.05	1,5 0.06	12	35	33	49	50	53	3	3,5	1,3	1,5	0,35	1,7	0,9	
	42,5	19,431 0.765	14,732 0.58	1,5 0.06	1,5 0.06	15	33	33,5	45	50	53	3	4,5	1,5	1,5	0,54	1,1	0,6	
	45,8	20,638 0.8125	14,288 0.5625	0,8 0.03	1,3 0.05	12	38	32	54	55	58	4	4,5	0,8	1,3	0,35	1,7	0,9	
26,162 1.03	45,8	19,939 0.785	14,288 0.5525	0,8 0.03	2 0.08	12	38	33	54	54	58	4	4,5	0,8	2	0,35	1,7	0,9	
	45,8	19,939 0.785	14,288 0.5625	0,8 0.03	1,3 0.05	12	38	33	54	55	58	4	4,5	0,8	1,3	0,35	1,7	0,9	
26,988 1.0625	39,6	14,732 0.58	10,668 0.42	3,5 0.14	1,3 0.05	10	33	38,5	44	44	47	2	3,5	3,5	1,3	0,37	1,6	0,9	
27,487 1.0822	42	19,355 0.762	15,875 0.625	2,5 0.10	0,8 0.03	13	35	37,5	49	51	54	3	3,5	2,5	0,8	0,33	1,8	1	



8.2 Inch single row tapered roller bearings

d 28,575 – 34,925 mm

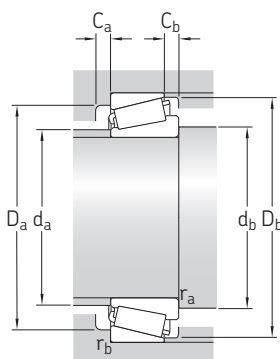
1.125 – 1.375 in.



Principal dimensions			Basic load ratings		Fatigue load limit	Speed ratings		Mass	Designation	Series	
d	D	T	dynamic	static		Reference speed	Limiting speed				
mm/in.			kN		kN	r/min		kg	–	–	
28,575 1.125	57,15	19,845	58,2	55	6	10 000	12 000	0,23	1985/1922	1900	
	2.25	0.7813									
	57,15	19,845	60,4	61	6,8	8 500	11 000	0,35	M 86647/610	M 86600	
	2.25	0.7813									
	64,292	21,433									
	2.5312	0.8438									
29 1.1417	50,292 1.98	14,224 0.56	31,8	32,5	3,35	11 000	13 000	0,11	▶ L 45449/410	L 45400	
30,162 1.1875	64,292	21,433	60,4	61	6,8	8 500	11 000	0,34	M 86649/610	M 86600	
	2.5312	0.8438									
	68,262	22,225	67,1	69,5	7,8	8 000	10 000	0,41	M 88043/010	M 88000	
	2.6875	0.875									
31,75 1.25	59,131	15,875	42,8	41,5	4,4	9 500	11 000	0,18	LM 67048/010	LM 67000	
	2.328	0.625									
	61,912	18,161	59,5	57	6,2	9 000	11 000	0,24	15123/15243	15000	
	2.4375	0.715									
	62	18,161	59,5	57	6,2	9 000	11 000	0,24	▶ 15123/15245	15000	
	2.4409	0.715									
	73,025	29,37	86,5	95	10,4	7 500	9 000	0,62	HM 88542/510	HM 88500	
	2.875	1.1563									
33,338 1.3125	68,262	22,225	67,1	69,5	7,8	8 000	10 000	0,38	M 88048/010	M 88000	
	2.6875	0.875									
	69,012	19,845	65,8	67	7,35	8 000	10 000	0,35	14131/14276	14000	
	2.717	0.7813									
34,925 1.375	65,088	18,034	58	57	6,2	8 500	10 000	0,25	▶ LM 48548/510	LM 48500	
	2.5625	0.71									
	65,088	18,034	58	57	6,2	8 500	10 000	0,26	▶ LM 48548 A/510	LM 48500	
	2.5625	0.71									
	69,012	19,845	65,8	67	7,35	8 000	10 000	0,34	14137 A/14276	14000	
	2.717	0.7831									
		72,233	25,4	83	90	10	7 500	9 000	0,5	HM 88649 X/610	HM 88600
		2.8438	1								
		72,233	25,4	83	90	10	7 500	9 000	0,5	HM 88649/610	HM 88600
		2.8438	1								
	73,025	23,812	89,1	88	9,8	8 000	9 500	0,48	25877/25821	25800	
	2.875	0.9375									
	73,025	26,988	94,6	93	10,4	8 000	9 500	0,53	23690/23620	23600	
	2.875	1.0625									
	76,2	29,37	95,2	106	11,8	7 000	8 500	0,66	HM 89446/410	HM 89400	
	3	1.1563									

SKF Explorer bearing

▶ Popular item



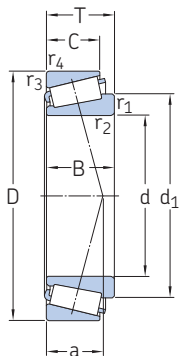
Dimensions				Abutment and fillet dimensions										Calculation factors							
d	d ₁ ≈	B	C	r _{1,2} min.	r _{3,4} min.	a	d _a max.	d _b min.	D _a min.	D _a max.	D _b min.	C _a min.	C _b min.	r _a max.	r _b max.	e	Y	Y ₀			
mm/in.							mm										-				
28,575 1.125	42,1	19,355	15,875	0,8	1,5	13	35	35	49	50	54	3	3,5	0,8	1,5	0,33	1,8	1			
		0,762	0,625	0,03	0,06																
	42	19,355	15,875	3,5	1,5	13	35	40,5	49	50	54	3	3,5	3,5	1,5	0,33	1,8	1			
	0,762	0,625	0,04	0,06																	
	50,1	21,433	16,67	1,5	1,5	17	38	36,5	51	57	60	3	4,5	1,5	1,5	0,54	1,1	0,6			
	0,8438	0,6563	0,06	0,06																	
29 1.1417	40,7	14,732	10,668	3,5	1,3	10	34	41	45	44	48	3	3,5	3,5	1,3	0,37	1,6	0,9			
	0,58	0,42	0,14	0,05																	
30,162 1.1875	50,1	21,433	16,67	1,5	1,5	17	38	38,5	51	57	60	3	4,5	1,5	1,5	0,54	1,1	0,6			
		0,8438	0,6563	0,06	0,06																
	52,3	22,28	17,462	2,4	1,6	18	41	40	54	61	64	3	4,5	2,4	1,6	0,54	1,1	0,6			
	0,8772	0,6875	0,09	0,06																	
31,75 1.25	45,6	16,77	11,811	3,6	1,3	12	38	44	51	52	55	3	4	3,6	1,3	0,4	1,5	0,8			
		0,6602	0,465	0,14	0,05																
	45,7	19,05	14,288	3,6	2	12	38	44	54	54	58	4	3,5	3,6	2	0,35	1,7	0,9			
	0,75	0,5625	0,14	0,08																	
	45,7	19,05	14,288	3,6	1,3	12	38	44	54	55	58	4	3,5	3,6	1,3	0,35	1,7	0,9			
	0,75	0,5625	0,14	0,05																	
	56,9	27,783	23,02	1,2	3,3	23	42	39,5	55	62	69	3	6	1,2	3,3	0,54	1,1	0,6			
	1,0938	0,9063	0,05	0,13																	
33,338 1.3125	52,3	22,28	17,462	0,8	1,6	18	41	40	54	61	64	3	4,5	0,8	1,6	0,54	1,1	0,6			
		0,8872	0,6875	0,03	0,06																
	50,7	19,583	15,875	0,8	1,3	15	43	40	57	62	63	3	3,5	0,8	1,3	0,37	1,6	0,9			
	0,771	0,625	0,03	0,05																	
34,925 1.375	50	18,288	13,97	3,6	1,3	14	42	47,5	57	58	61	3	4	3,6	1,3	0,37	1,6	0,9			
		0,72	0,55	0,14	0,05																
	50	18,288	13,97	0,8	1,3	14	42	41,5	57	58	61	3	4	0,8	1,3	0,37	1,6	0,9			
		0,72	0,55	0,03	0,05																
	50,7	19,583	15,875	1,5	1,3	15	43	43	57	62	63	3	3,5	1,5	1,3	0,37	1,6	0,9			
		0,771	0,625	0,06	0,05																
	56,6	25,4	19,842	1	2,3	20	42	42,5	57	63	68	5	5,5	1	2,3	0,54	1,1	0,6			
		1	0,7812	0,04	0,09																
	56,6	25,4	19,842	2,3	2,3	20	42	45	57	63	68	5	5,5	2,3	2,3	0,54	1,1	0,6			
		1	0,7812	0,09	0,09																
52,5	24,608	19,05	1,5	0,8	15	44	43	62	67	67	5	4,5	1,5	0,8	0,3	2	1,1				
	0,9688	0,75	0,06	0,03																	
52,3	26,975	22,225	3,5	1,5	18	42	47	59	65	67	3	4,5	3,5	1,5	0,37	1,6	0,9				
	1,062	0,875	0,14	0,06																	
59,3	28,575	23,02	3,5	3,3	23	44	47,5	58	65	72	3	6	3,5	3,3	0,54	1,1	0,6				
	1,125	0,9063	0,14	0,13																	



8.2 Inch single row tapered roller bearings

d 34,987 – 39,688 mm

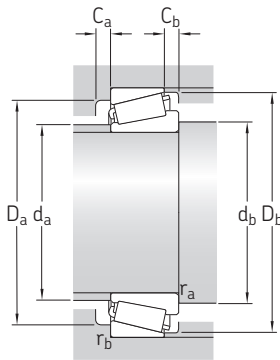
1.3774 – 1.5625 in.



Principal dimensions			Basic load ratings		Fatigue load limit	Speed ratings		Mass	Designation	Series
d	D	T	dynamic	static		Reference speed	Limiting speed			
mm/in.			kN		kN	r/min		kg	–	–
34,987 1.3774	59,131	15,875	40,6	44	4,5	9 000	11 000	0,17	▶ L 68149/110	L 68100
	2,328 59,975	0,625 15,875	40,6	44	4,5	9 000	11 000	0,18	▶ L 68149/111	L 68100
	2,3612	0,625								
35,717 1.4062	72,233	25,4	83	90	10	7 500	9 000	0,49	HM 88648/610	HM 88600
	2,8438	1								
36,487 1.4365	73,025	23,812	89,1	88	9,8	8 000	9 500	0,46	25880/25820	25800
	2,875	0,9375								
36,512 1.4375	76,2	29,37	95,2	106	11,8	7 000	8 500	0,64	HM 89449/410	HM 89400
	3	1.1563								
38,1 1.5	65,088	18,034	53	57	6,1	8 000	10 000	0,23	▶ LM 29748/710	LM 29700
	2,5625	0,71								
	65,088	18,034	53	57	6,1	8 000	10 000	0,24	▶ LM 29749/710	LM 29700
	2,5625	0,71								
	65,088	19,812	53	57	6,1	8 000	10 000	0,25	LM 29749/711	LM 29700
	2,5625	0,78								
	72,238	20,638	60,3	60	6,55	8 000	9 500	0,36	▶ 16150/16284	16000
	2,844	0,8125								
	72,238	23,813	60,3	60	6,55	8 000	9 500	0,39	16150/16283	16000
	2,844	0,9375								
	76,2	23,812	92,1	93	10,4	7 500	9 000	0,5	2788/2720	2700
	3	0,9375								
	79,375	29,37	112	110	12,5	7 000	8 500	0,68	3490/3420	3400
	3,125	1.1563								
	82,55	29,37	106	118	13,4	6 700	8 000	0,77	HM 801346 X/310	HM 801300
	3,25	1.1563								
	82,55	29,37	106	118	13,4	6 700	8 000	0,78	▶ HM 801346/310	HM 801300
	3,25	1.1563								
	82,931	23,812	99,1	106	11,8	6 700	8 000	0,65	▶ 25572/25520	25500
	3,265	0,9375								
	88,5	26,988	123	114	13,2	6 700	8 500	0,83	418/414	415
	3,4843	1.0625								
39,688 1.5625	76,2	23,812	92,1	93	10,4	7 500	9 000	0,48	2789/2729	2700
	3	0,9375								

SKF Explorer bearing

▶ Popular item

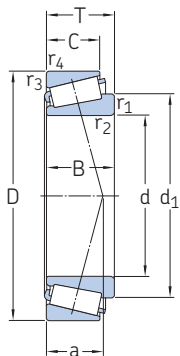


Dimensions				Abutment and fillet dimensions										Calculation factors							
d	d ₁ ≈	B	C	r _{1,2} min.	r _{3,4} min.	a	d _a max.	d _b min.	D _a min.	D _a max.	D _b min.	C _a min.	C _b min.	r _a max.	r _b max.	e	Y	Y ₀			
mm/in.							mm										-				
34,987 1.3774	48,4	16,764	11,938	3,5	1,3	13	41	47	52	52	56	3	3,5	3,5	1,3	0,43	1,4	0,8			
		0,66	0,47	0,14	0,05																
	48,4	16,764	11,938	3,5	1,3	13	41	47	52	53	56	3	3,5	3,5	1,3	0,43	1,4	0,8			
		0,66	0,47	0,14	0,05																
35,717 1.4062	56,6	25,4	19,842	3,5	2,3	20	42	48	57	63	68	5	5,5	3,5	2,3	0,54	1,1	0,6			
		1	0,7812	0,14	0,09																
36,487 1.4365	52,5	24,608	19,05	1,5	2,3	15	44	45	62	64	67	5	4,5	1,5	2,3	0,3	2	1,1			
		0,9688	0,75	0,06	0,09																
36,512 1.4375	59,3	28,575	23,02	3,5	3,3	23	44	49	58	65	72	3	6	3,5	3,3	0,54	1,1	0,6			
		1,125	0,9063	0,14	0,13																
38,1 1.5	52	18,288	13,97	3,6	1,3	13	44	51	58	58	61	3	4	3,6	1,3	0,33	1,8	1			
		0,72	0,55	0,14	0,05																
	51,8	18,288	13,97	2,3	1,3	13	45	48	58	58	61	3	4	2,3	1,3	0,33	1,8	1			
	0,72	0,55	0,09	0,05																	
	51,8	18,288	15,748	2,3	1,3	15	45	48	57	58	61	2	4	2,3	1,3	0,33	1,8	1			
	0,72	0,62	0,09	0,05																	
	53,8	20,638	15,875	3,5	1,3	16	45	51	60	65	66	3	4,5	3,5	1,3	0,4	1,5	0,8			
		0,8125	0,625	0,14	0,05																
	53,8	20,638	19,05	3,5	2,3	19	45	51	58	63	66	3	4,5	3,5	2,3	0,4	1,5	0,8			
		0,8125	0,75	0,14	0,09																
	54,8	25,654	19,05	3,5	3,3	15	46	51	64	65	69	5	4,5	3,5	3,3	0,3	2	1,1			
		1,01	0,75	0,14	0,13																
	57,3	29,771	23,812	3,5	3,3	20	46	51	65	68	73	4	5,5	3,5	3,3	0,37	1,6	0,9			
		1,1721	0,9375	0,14	0,13																
	64,1	28,575	23,02	2,3	3,3	24	49	48,5	64	71	78	4	6	2,3	3,3	0,54	1,1	0,6			
		1,125	0,9063	0,09	0,13																
	64,1	28,575	23,02	0,8	3,3	24	49	45,5	64	71	78	4	6	0,8	3,3	0,54	1,1	0,6			
		1,125	0,9063	0,03	0,13																
	62,2	25,4	19,05	0,8	0,8	16	53	45,5	71	76	76	5	4,5	0,8	0,8	0,33	1,8	1			
		1	0,75	0,03	0,03																
	58,8	29,083	22,225	3,5	1,5	16	49	51	73	81	78	5	4,5	3,5	1,5	0,26	2,3	1,3			
		1,145	0,875	0,14	0,06																
39,688 1.5625	54,8	25,654	19,05	3,5	0,8	15	46	52	64	70	69	5	4,5	3,5	0,8	0,3	2	1,1			
		1,01	0,75	0,14	0,03																



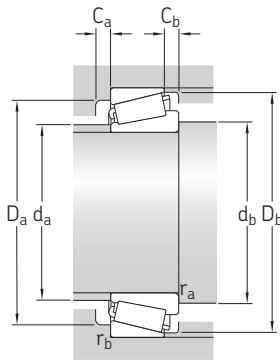
8.2 Inch single row tapered roller bearings

d 40 – 42,875 mm
1.5748 – 1.688 in.



Principal dimensions			Basic load ratings		Fatigue load limit	Speed ratings		Mass	Designation	Series
d	D	T	dynamic	static		Reference speed	Limiting speed			
mm/in.			kN		kN	r/min		kg	–	–
40 1.5748	80	21	87,6	80	9,15	7 000	8 500	0,47	344/332	335
	3.1496	0.8268								
	80	21	87,6	80	9,15	7 000	8 500	0,47	344/332 AA	335
	3.1496	0.8268								
	80	21	87,6	80	9,15	7 000	8 500	0,48	344 A/332	335
	3.1496	0.8268								
41 1.6142	68	17,5	53,6	58,5	6,3	8 000	9 500	0,24	▶ LM 300849/811	LM 300800
	2.6772	0.689								
41,275 1.625	73,025	16,667	57,7	56	6,2	7 500	9 000	0,28	▶ 18590/18520	18500
	2.875	0.6562								
	73,431	19,558	67,6	68	7,65	7 500	9 000	0,34	▶ LM 501349/310	LM 501300
	2.891	0.77								
	73,431	21,43	67,6	68	7,65	7 500	9 000	0,36	▶ LM 501349/314	LM 501300
	2.891	0.8437								
	76,2	18,009	55,7	56	6,1	7 000	9 000	0,34	11162/11300	11000
	3	0.709								
	76,2	18,009	55,7	56	6,1	7 000	9 000	0,34	11163/11300	11000
	3	0.709								
76,2	22,225	84,2	86,5	9,65	7 000	9 000	0,44	▶ 24780/24720	24700	
3	0.875									
	82,55	26,543	91,2	91,5	10,6	6 700	8 000	0,62	M 802048/011	M 802000
	3.25	1.045								
	87,312	30,162	126	132	15	6 300	8 000	0,85	3585/3525	3500
	3.4375	1.1875								
	88,9	30,162	116	127	14,6	6 000	7 500	0,91	HM 803146/110	HM 803100
	3.5	1.1875								
	101,6	34,925	184	190	21,6	5 600	6 700	1,45	526/522	525
	4	1.375								
42,875 1.688	82,931	23,812	99,1	106	11,8	6 700	8 000	0,59	▶ 25577/25520	25500
	3.265	0.9375								
	82,931	26,988	99,1	106	12	6 700	8 000	0,63	25577/25523	25500
	3.265	1.0625								

SKF Explorer bearing
▶ Popular item



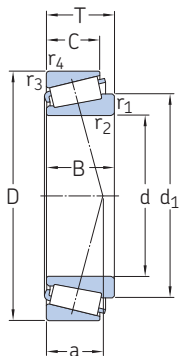
Dimensions			Abutment and fillet dimensions										Calculation factors						
d	d ₁ ≈	B	C	r _{1,2} min.	r _{3,4} min.	a	d _a max.	d _b min.	D _a min.	D _a max.	D _b min.	C _a min.	C _b min.	r _a max.	r _b max.	e	Y	Y ₀	
mm/in.							mm										-		
40 1.5748	57,6	22,403	17,826	3,5	1,3	14	50	53	72	73	75	4	3	3,5	1,3	0,27	2,2	1,3	
		0.882	0.7018	0.14	0.05														
	57,6	22,403	17,826	3,5	0,8	14	50	53	72	74	75	4	3	3,5	0,8	0,27	2,2	1,3	
	0.882	0.7018	0.14	0.03															
	57,6	22,403	17,826	0,8	1,3	14	50	47	72	73	75	4	3	0,8	1,3	0,27	2,2	1,3	
	0.882	0.7018	0.03	0.05															
41 1.6142	55,4	18	13,5	3,6	1,5	13	47	54	61	60	64	3	4	3,6	1,5	0,35	1,7	0,9	
		0.7087	0.5315	0.14	0.06														
41,275 1.625	56,2	17,463	12,7	3,5	1,5	13	50	54	66	65	68	3	3,5	3,5	1,5	0,35	1,7	0,9	
		0.6875	0.5	0.14	0.06														
	57,7	19,812	14,732	3,5	0,8	15	48	54	64	67	69	4	4,5	3,5	0,8	0,4	1,5	0,8	
		0.78	0.58	0.14	0.03														
	57,7	19,812	16,604	3,5	0,8	17	48	54	63	67	69	3	4,5	3,5	0,8	0,4	1,5	0,8	
		0.78	0.6537	0.14	0.03														
	58,2	17,384	14,288	1,5	1,5	16	50	49,5	65	68	71	3	3,5	1,5	1,5	0,48	1,25	0,7	
		0.6844	0.5625	0.06	0.06														
	58,2	17,384	14,288	0,8	1,5	16	50	48,5	65	68	71	3	3,5	0,8	1,5	0,48	1,25	0,7	
		0.6844	0.5625	0.03	0.06														
57,7	23,02	17,462	3,5	0,8	17	49	54	65	70	71	4	4,5	3,5	0,8	0,4	1,5	0,8		
	0.9063	0.6875	0.14	0.03															
	62,3	25,654	20,193	3,5	3,3	22	49	54	66	71	78	4	6	3,5	3,3	0,54	1,1	0,6	
	1.01	0.795	0.14	0.13															
	63,1	30,886	23,812	1,5	3,3	19	53	50	73	76	80	4	6	1,5	3,3	0,31	1,9	1,1	
	1.216	0.9375	0.06	0.13															
	69	29,37	23,02	3,5	3,3	25	53	54	70	77	84	4	7	3,5	3,3	0,54	1,1	0,6	
	1.1563	0.9063	0.14	0.13															
	72,9	36,068	26,988	3,5	3,3	21	61	55	87	90	94	6	7,5	3,5	3,3	0,28	2,1	1,1	
	1.42	1.0625	0.14	0.13															
42,875 1.688	62,2	25,4	19,05	3,5	0,8	16	53	56	71	76	76	5	4,5	3,5	0,8	0,33	1,8	1	
		1	0.75	0.13	0.03														
	62,2	25,4	22,225	3,5	2,3	20	53	56	70	73	76	3	4,5	3,5	2,3	0,33	1,8	1	
	1	0.875	0.14	0.09															



8.2 Inch single row tapered roller bearings

d 44,45 – 45,618 mm

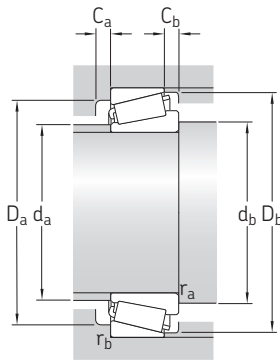
1.75 – 1.796 in.



Principal dimensions			Basic load ratings		Fatigue load limit	Speed ratings		Mass	Designation	Series
d	D	T	dynamic	static		Reference speed	Limiting speed			
mm/in.			kN		kN	r/min		kg	–	–
44,45 1.75	82,931 3.265	23,812 0.9375	99,1	106	11,8	6 700	8 000	0,57	25580/25520	25500
	82,931 3.265	26,988 1.0625	99,1	106	11,8	6 700	8 000	0,61	25580/25522	25500
	82,931 3.265	26,988 1.0625	99,1	106	11,8	6 700	8 000	0,61	25580/25523	25500
	88,9 3.5	30,162 1.1875	116	127	14,6	6 000	7 500	0,86	HM 803149/110	HM 803000
	93,264 3.6718	30,163 1.1875	134	146	17	5 600	7 000	0,98	3782/3720	3700
	95,25 3.75	30,958 1.2188	108	96,5	11,4	5 300	7 000	0,93	▶ 53178/53377	53000
	95,25 3.75	30,958 1.2188	124	122	14	5 300	7 000	1	HM 903249/210	HM 903200
	104,775 4.125	36,512 1.4375	180	204	22,4	5 000	6 300	1,65	HM 807040/010	HM-807000
	107,95 4.25	36,512 1.4375	183	190	21,6	5 300	6 300	1,7	▶ 535/532 X	535
	111,125 4.375	38,1 1.5	183	190	21,6	5 300	6 300	1,85	▶ 535/532 A	535
45 1.7717	85 3.3465	20,638 0.8125	87,3	81,5	9,3	6 700	8 000	0,5	358 X/354 X	355
45,237 1.781	87,312 3.4375	30,162 1.1875	126	132	15	6 300	8 000	0,78	3586/3525	3500
45,242 1.7812	73,431 2.891	19,558 0.77	66	75	8,15	7 000	8 500	0,31	▶ LM 102949/910	LM 102900
	77,788 3.0625	19,842 0.7812	66,8	69,5	7,65	7 000	8 500	0,37	LM 603049/011	LM 603000
	77,788 3.0625	19,842 0.7812	66,8	69,5	7,65	7 000	8 500	0,37	LM 603049/011 AA	LM 603000
	77,788 3.0625	21,43 0.8437	66,8	69,5	7,65	7 000	8 500	0,39	LM 603049/012	LM 603000
45,618 1.796	82,931 3.265	23,812 0.9375	99,1	106	11,8	6 700	8 000	0,55	25590/25520	25500
	82,931 3.265	26,988 1.0625	99,1	106	11,8	6 700	8 000	0,59	25590/25523	25500
	83,058 3.27	23,876 0.94	99,1	106	11,8	6 700	8 000	0,55	25590/25522	25500

SKF Explorer bearing

▶ Popular item



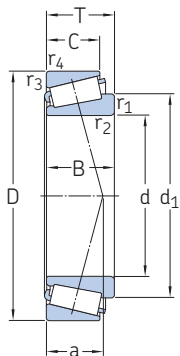
Dimensions			Abutment and fillet dimensions											Calculation factors					
d	d ₁ ≈	B	C	r _{1,2} min.	r _{3,4} min.	a	d _a max.	d _b min.	D _a min.	D _a max.	D _b min.	C _a min.	C _b min.	r _a max.	r _b max.	e	Y	Y ₀	
mm/in.							mm											-	
44,45 1.75	62,2	25,4	19,05	3,5	0,8	16	53	57	71	76	76	5	4,5	3,5	0,8	0,33	1,8	1	
	1	0,75	0,14	0,03															
	62,2	25,4	22,225	3,5	2,3	20	53	57	70	73	76	3	4,5	3,5	2,3	0,33	1,8	1	
	1	0,875	0,14	0,09															
	62,2	25,4	22,225	3,5	2,3	20	53	57	70	73	76	3	4,5	3,5	2,3	0,33	1,8	1	
	1	0,875	0,14	0,09															
	69	29,37	23,02	3,5	3,3	25	53	58	70	77	84	4	7	3,5	3,3	0,54	1,1	0,6	
	1.1563	0,9063	0,14	0,13															
	71,2	30,302	23,812	3,5	3,3	21	60	58	80	81	87	4	6	3,5	3,3	0,33	1,8	1	
	1.193	0,9375	0,14	0,13															
	69,3	28,3	20,638	2	2,3	30	53	55	72	86	89	4	10	2	2,3	0,75	0,8	0,45	
	1.1142	0,8125	0,08	0,09															
	71,6	28,575	22,225	3,5	0,8	30	53	58	71	89	90	4	8,5	3,5	0,8	0,75	0,8	0,45	
	1.125	0,875	0,14	0,03															
	81,5	36,512	28,575	3,5	3,3	28	63	58	85	93	100	6	7,5	3,5	3,3	0,48	1,25	0,7	
	1.4375	1,125	0,14	0,13															
	76,5	36,957	28,575	3,5	3,3	23	64	58	90	96	97	5	7,5	3,5	3,3	0,3	2	1,1	
	1.455	1,125	0,14	0,13															
	76,5	36,957	30,162	3,5	3,3	25	64	58	89	99	97	4	7,5	3,5	3,3	0,3	2	1,1	
	1.455	1,1875	0,14	0,13															
45 1.7717	62,4	21,692	17,462	2	1,5	15	55	55	76	77	80	3	3	2	1,5	0,31	1,9	1,1	
	0,854	0,6875	0,08	0,06															
45,237 1.781	63,1	30,886	23,812	3,5	3,3	19	53	58	73	76	80	4	6	3,5	3,3	0,31	1,9	1,1	
	1,216	0,9375	0,14	0,13															
45,242 1.7812	59,4	19,812	15,748	3,5	0,8	14	52	58	66	67	70	3	3,5	3,5	0,8	0,3	2	1,1	
	0,78	0,62	0,14	0,03															
	62	19,842	15,08	3,5	0,8	17	52	58	68	71	74	4	4,5	3,5	0,8	0,43	1,4	0,8	
	0,7812	0,5937	0,14	0,03															
	62	19,842	15,08	3,5	0,3	17	52	58	68	72	74	4	4,5	3,5	0,3	0,43	1,4	0,8	
	0,7812	0,5937	0,14	0,01															
	62	19,842	16,667	3,5	0,8	18	52	58	67	71	74	3	4,5	3,5	0,8	0,43	1,4	0,8	
	0,7812	0,6562	0,14	0,03															
45,618 1.796	62,1	25,4	19,05	3,5	0,8	16	53	58	71	76	76	5	4,5	3,5	0,8	0,33	1,8	1	
	1	0,75	0,14	0,03															
	62,1	25,4	22,225	3,5	2,3	20	53	58	70	73	76	3	4,5	3,5	2,3	0,33	1,8	1	
	1	0,875	0,14	0,09															
	62,1	25,4	19,114	3,5	2	17	53	58	71	74	76	5	4,5	3,5	2	0,33	1,8	1	
	1	0,7525	0,14	0,08															



8.2 Inch single row tapered roller bearings

d 46 – 50,8 mm

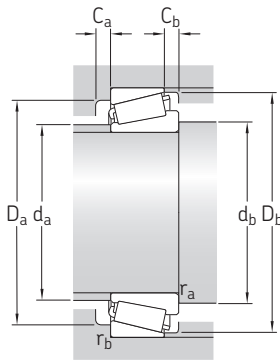
1.811 – 2 in.



Principal dimensions			Basic load ratings		Fatigue load limit	Speed ratings		Mass	Designation	Series								
d	D	T	dynamic	static		Reference speed	Limiting speed											
mm/in.			kN		kN	r/min		kg	–	–								
46 1.811	75	18	62,1	71	7,65	7 000	8 500	0,3	▶ LM 503349 A/310	LM 503300								
	2.9528	0.7087																
46,038 1.8125	75	18	62,1	71	7,65	7 000	8 500	0,3	▶ LM 503349/310	LM 503300								
	2.9528	0.7087																
47,625 1.875	79,375	17,462	61,1	62	6,8	7 000	8 500	0,33	▶ 18690/18620	18600								
	3.125	0.6875	87,3	81,5	9,3	6 700	8 000	0,49	359 S/354 X	355								
	85	20,638																
3.3465	0.8125																	
49,212 1.9375	88,9	20,638	94	91,5	10,4	6 300	7 500	0,55	369 S/362 A	365								
	3.5	0.8125	133	146	17,3	5 600	7 000	0,99	HM 804846/810	HM 804800								
	95,25	30,162																
	3.75	1.1875	184	190	21,6	5 600	6 700	1,3	528 R/522	525								
101,6	34,925																	
4	1.375																	
50,8 2	114,3	44,45	226	224	25	5 000	6 300	2,2	65390/65320	65300								
	4.5	1.75	88,9	100	11	6 300	8 000	0,43	LM 104949/911	LM 104900								
	82,55	21,59																
	3.25	0.85																
	85	17,462									62,1	65,5	7,2	6 300	8 000	0,37	18790/18720	18700
	3.3465	0.6875																
	88,9	20,638									94	91,5	10,4	6 300	7 500	0,5	368 A/362 A	365
	3.5	0.8125																
	90	25									94	91,5	10,4	6 300	7 500	0,58	368 A/362 X	365
	3.5433	0.9843																
	93,264	30,162									134	146	17	5 600	7 000	0,87	3780/3720	3700
3.6718	1.1875																	
104,775	36,512	180	204	22,4	5 000	6 300	1,5	HM 807046/010	HM 807000									
4.125	1.4375																	
104,775	39,688	195	224	25	5 300	6 300	1,65	▶ 4580/4535	4500									
4.125	1.5625																	
107,95	36,512	183	190	21,6	5 300	6 300	1,55	▶ 537/532 X	535									
4.25	1.4375																	

SKF Explorer bearing

▶ Popular item

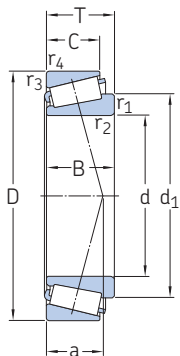


Dimensions				Abutment and fillet dimensions										Calculation factors					
d	d ₁ ≈	B	C	r _{1,2} min.	r _{3,4} min.	a	d _a max.	d _b min.	D _a min.	D _a max.	D _b min.	C _a min.	C _b min.	r _a max.	r _b max.	e	Y	Y ₀	
mm/in.							mm										-		
46 1.811	61	18 0.7087	14 0.5512	3,6 0.14	1,6 0.06	15	53	59	67	67	71	3	4	3,6	1,6	0,4	1,5	0,8	
	61	18 0.7087	14 0.5512	2,3 0.09	1,6 0.06	15	53	56	67	67	71	3	4	2,3	1,6	0,4	1,5	0,8	
46,038 1.8125	60,2	17,462 0.6875	13,495 0.5313	2,8 0.11	1,5 0.06	14	53	57	69	71	73	3	3,5	2,8	1,5	0,37	1,6	0,9	
	62,4	21,692 0.854	17,462 0.6875	2,3 0.09	1,5 0.06	15	55	57	76	77	80	3	3	2,3	1,5	0,31	1,9	1,1	
47,625 1.875	66,2	22,225 0.875	16,513 0.6501	2,3 0.09	1,3 0.05	16	58	58	80	81	83	4	4	2,3	1,3	0,31	1,9	1,1	
	73,6	29,37 1.1563	23,02 0.9063	3,5 0.14	3,3 0.13	25	57	61	76	84	90	5	7	3,5	3,3	0,54	1,1	0,6	
	72,9	36,068 1.42	26,988 1.0625	8 0.32	3,3 0.13	21	61	70	87	90	94	6	7,5	8	3,3	0,28	2,1	1,1	
49,212 1.9375	79,3	44,45 1.75	34,925 1.375	3,5 0.14	3,3 0.13	31	60	63	89	102	105	5	9,5	3,5	3,3	0,43	1,4	0,8	
50,8 2	65,2	22,225 0.875	16,51 0.65	3,5 0.13	1,3 0.05	15	57	64	75	75	78	5	5	3,5	1,3	0,3	2	1,1	
	66	17,462 0.6875	13,495 0.5313	3,5 0.14	1,5 0.06	16	59	64	75	77	79	3	3,5	3,5	1,5	0,4	1,5	0,8	
	66,2	22,225 0.875	16,513 0.6501	3,5 0.14	1,3 0.05	16	58	64	80	81	83	4	4	3,5	1,3	0,31	1,9	1,1	
	66,2	22,225 0.875	20 0.7874	3,5 0.14	2 0.08	20	58	64	78	81	83	3	5	3,5	2	0,31	1,9	1,1	
	71,2	30,302 1.193	23,812 0.9375	3,5 0.14	3,3 0.13	21	60	64	80	81	87	4	6	3,5	3,3	0,33	1,8	1	
	81,5	36,512 1.4375	28,575 1.125	3,5 0.14	3,3 0.13	28	63	64	85	93	100	6	7,5	3,5	3,3	0,48	1,25	0,7	
	79,5	40,157 1.581	33,338 1.3125	3,5 0.14	3,3 0.13	27	65	64	87	93	98	5	6	3,5	3,3	0,33	1,8	1	
	76,5	36,957 1.455	28,575 1.125	3,5 0.14	3,3 0.13	23	64	64	90	96	97	5	7,5	3,5	3,3	0,3	2	1,1	



8.2 Inch single row tapered roller bearings

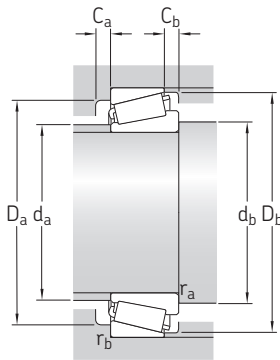
d 53,975 – 60,325 mm
2.125 – 2.375 in.



Principal dimensions			Basic load ratings		Fatigue load limit	Speed ratings		Mass	Designation	Series
d	D	T	dynamic	static		Reference speed	Limiting speed			
mm/in.			kN		kN	r/min		kg	–	–
53,975 2.125	88,9	19,05	71,5	78	9	6 000	7 000	0,44	LM 806649/610	LM 806600
	3,5	0,75								
	95,25	27,783	129	137	16	5 600	7 000	0,81	33895/33821	33800
	3,75	1,0938								
	95,25	27,783	129	137	16	5 600	7 000	0,81	33895/33822	33800
	3,75	1,0938								
	107,95	36,512	183	190	21,6	5 300	6 300	1,45	▶ 539/532 X	535
4,25	1,4375									
111,125	38,1	183	190	21,6	5 300	6 300	1,65	▶ 539/532 A	535	
4,375	1,5									
123,825	36,512	174	160	19,6	4 300	5 600	2	72212/72487	72000	
4,875	1,4375									
57,15 2.25	96,838	21	99,9	102	11,6	5 600	6 700	0,59	387 A/382 A	385
	3,8125	0,8268								
	96,838	21	99,9	102	11,6	5 600	6 700	0,59	387/382 A	385
	3,8125	0,8268								
	96,838	25,4	99,9	102	11,6	5 600	6 700	0,65	387 A/382 S	385
	3,8125	1								
	98,425	21	99,9	102	11,6	5 600	6 700	0,64	387/382	385
	3,875	0,8268								
	104,775	30,162	150	160	18,6	5 300	6 300	1,05	▶ 462/453 X	455
	4,125	1,1875								
112,712	30,162	175	204	23,6	4 500	5 600	1,4	39580/39520	39500	
4,4375	1,1875									
112,712	30,162	175	204	23,6	4 500	5 600	1,4	▶ 39581/39520	39500	
4,4375	1,1875									
119,985	32,751	175	204	23,6	4 500	5 600	1,75	39580/39528	39500	
4,7238	1,2894									
119,985	32,751	175	204	23,6	4 500	5 600	1,75	39581/39528	39500	
4,7238	1,2894									
59,987 2.3617	130,175	34,099	187	180	22	3 800	5 000	2,05	HM 911244/210	HM 911200
	5,125	1,3425								
	135,755	53,975	353	400	45,5	4 000	5 000	3,95	6391/K-6320	6300
5,3447	2,125									
60,325 2.375	130,175	36,512	187	180	22,4	3 800	5 000	2,1	HM 911245/210	HM 911200
	5,125	1,4375								

SKF Explorer bearing

▶ Popular item



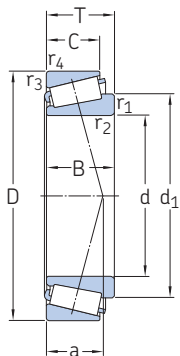
Dimensions				Abutment and fillet dimensions										Calculation factors					
d	d ₁ ≈	B	C	r _{1,2} min.	r _{3,4} min.	a	d _a max.	d _b min.	D _a min.	D _a max.	D _b min.	C _a min.	C _b min.	r _a max.	r _b max.	e	Y	Y ₀	
mm/in.							mm										-		
53,975 2.125	72,1	19,05	13,492	2,3	2	20	62	65	78	80	84	4	5,5	2,3	2	0,54	1,1	0,6	
		0,75	0,5312	0,09	0,08														
	72,5	28,575	22,225	1,5	2,3	20	61	63	83	85	90	6	5,5	1,5	2,3	0,33	1,8	1	
		1,125	0,875	0,06	0,09														
	72,5	28,575	22,225	1,5	0,8	20	61	63	83	88	90	6	5,5	1,5	0,8	0,33	1,8	1	
		1,125	0,875	0,06	0,03														
	76,5	36,957	28,575	3,5	3,3	23	64	67	90	96	97	5	7,5	3,5	3,3	0,3	2	1,1	
		1,455	1,125	0,14	0,13														
	76,5	36,957	30,162	3,5	3,3	25	64	67	89	99	97	4	7,5	3,5	3,3	0,3	2	1,1	
		1,455	1,1875	0,14	0,13														
89,2	32,791	25,4	3,5	3,3	36	67	68	93	112	114	4	11	3,5	3,3	0,75	0,8	0,45		
	1,291	1	0,14	0,13															
57,15 2.25	74,2	21,946	15,875	3,5	0,8	17	65	70	87	90	91	5	5	3,5	0,8	0,35	1,7	0,9	
		0,864	0,625	0,14	0,03														
	74,1	21,946	15,875	2,3	0,8	17	65	68	87	90	91	5	5	2,3	0,8	0,35	1,7	0,9	
		0,864	0,625	0,09	0,03														
	74,2	21,946	20,274	3,5	2,3	21	65	70	85	87	91	3	5	3,5	2,3	0,35	1,7	0,9	
		0,864	0,7982	0,14	0,09														
	74,1	21,946	17,826	2,3	0,8	17	65	68	87	91	92	5	3	2,3	0,8	0,35	1,7	0,9	
		0,864	0,7018	0,09	0,03														
	79	29,317	24,605	2,3	3,3	23	68	68	91	93	98	4	5,5	2,3	3,3	0,33	1,8	1	
		1,52	0,9687	0,09	0,13														
88,3	30,162	23,812	3,5	3,3	23	76	71	100	100	107	6	6	3,5	3,3	0,33	1,8	1		
	1,1875	0,9375	0,14	0,13															
88,3	30,162	23,812	8	3,3	23	76	80	100	100	107	6	6	8	3,3	0,33	1,8	1		
	1,1875	0,9375	0,32	0,13															
88,3	30,162	26,949	3,5	0,8	25	76	71	99	113	107	4	5,5	3,5	0,8	0,33	1,8	1		
	1,1875	1,061	0,14	0,03															
88,3	30,162	26,949	8	0,8	25	76	80	99	113	107	4	5,5	8	0,8	0,33	1,8	1		
	1,1875	1,061	0,32	0,03															
59,987 2.3617	97,1	30,924	23,812	3,5	3,3	40	74	74	102	118	124	5	10	3,5	3,3	0,83	0,72	0,4	
		1,2175	0,9375	0,14	0,13														
97,5	56,007	44,45	3,5	3,3	34	78	74	110	123	125	7	9,5	3,5	3,3	0,33	1,8	1		
	2,205	1,75	0,14	0,13															
60,325 2.375	97,2	33,39	23,812	5	3,3	40	74	77	102	118	124	5	12,5	5	3,3	0,83	0,72	0,4	
		1,3146	0,9375	0,20	0,13														



8.2 Inch single row tapered roller bearings

d 63,5 – 71,438 mm

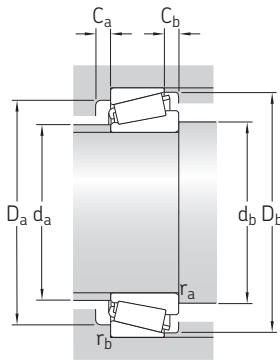
2.5 – 2.8125 in.



Principal dimensions			Basic load ratings		Fatigue load limit	Speed ratings		Mass	Designation	Series
d	D	T	dynamic	static		Reference speed	Limiting speed			
mm/in.			kN		kN	r/min		kg	–	–
63,5 2.5	110	22	108	118	13,4	4 800	6 000	0,84	395/394 A	395
	4.3307	0.8661								
	112,712	30,162	175	204	23,6	4 500	5 600	1,25	39585/39520	39500
	4.4375	1.1875								
	112,712	30,163	152	183	21,2	4 800	5 600	1,25	3982/3920	3980
	4.4375	1.1875								
65,088 2.5625	135,755	53,975	353	400	45,5	4 000	5 000	3,7	6379/K-6320	6300
	5.3447	2.125								
66,675 2.625	110	22	108	118	13,4	4 800	6 000	0,78	395 S/394 A	395
	4.3307	0.8661								
	110	22	108	118	13,4	4 800	6 000	0,79	395 A/394 A	395
	4.3307	0.8661								
	112,712	30,162	152	183	21,2	4 800	5 600	1,15	3984/3920	3900
	4.4375	1.1875								
	112,712	30,162	175	204	23,6	4 500	5 600	1,2	39590/39520	39500
	4.4375	1.1875								
	119,985	32,751	175	204	23,6	4 500	5 600	1,55	39590/39528	39500
	4.7238	1.2894								
122,238	38,1	229	245	28	4 500	5 300	1,85	▶ HM 212049/011	HM 212000	
4.8125	1.5									
	135,755	53,975	353	400	45,5	4 000	5 000	3,65	6386/K-6320	6300
	5.3447	2.125								
69,85 2.75	112,712	25,4	121	156	17,6	4 500	5 300	0,97	29675/29620	29600
	4.4375	1								
	120	29,795	163	186	21,6	4 500	5 300	1,35	482/472	475
	4.7244	1.173								
	120	32,545	188	228	26,5	4 300	5 300	1,5	▶ 47487/47420	47400
	4.7244	1.2813								
	120	32,545	188	228	26,5	4 300	5 300	1,5	▶ 47487/47420 A	47400
	4.7244	1.2813								
	127	36,512	217	255	29	4 300	5 000	1,95	566/563	565
	5	1.4375								
152,4	41,275	270	320	35,5	3 600	4 300	3,65	655/652	655	
6	1.625									
71,438 2.8125	117,475	30,162	152	190	21,6	4 500	5 300	1,25	33281/33462	33000
	4.625	1.1875								
	136,525	46,038	273	355	39	3 800	4 500	3,1	H 715345/311	H 715300
	5.375	1.8125								

SKF Explorer bearing

▶ Popular item



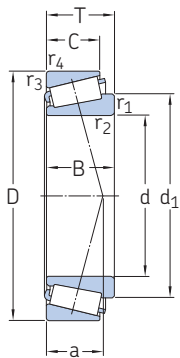
Dimensions			Abutment and fillet dimensions										Calculation factors					
d	d_1 ≈	B	C	$r_{1,2}$ min.	$r_{3,4}$ min.	a	d_a max.	d_b min.	D_a min.	D_a max.	D_b min.	C_a min.	C_b min.	r_a max.	r_b max.	e	Y	Y_0
mm/in.						mm										-		
63,5 2.5	86,5	21,996 0.866	18,824 0.7411	3,5 0.14	1,3 0.05	20	77	77	98	102	105	4	3	3,5	1,3	0,4	1,5	0,8
	88,4	30,162 1.1875	23,812 0.9375	3,5 0.14	3,3 0.13	23	76	77	100	100	107	6	6	3,5	3,3	0,33	1,8	1
	87,9	30,048 1.183	23,812 0.9375	3,5 0.14	3,3 0.13	25	75	77	96	101	105	4	6	3,5	3,3	0,4	1,5	0,8
65,088 2.5625	97,5	56,007 2.205	44,45 1.75	3,5 0.14	3,3 0.13	34	78	79	110	123	125	7	9,5	3,5	3,3	0,33	1,8	1
	66,675 2.625	86,5	21,996 0.866	18,824 0.7411	3,5 0.14	1,3 0.05	20	77	80	98	102	105	4	3	3,5	1,3	0,4	1,5
	86,5	21,996 0.866	18,824 0.7411	0,8 0.03	1,3 0.05	20	77	75	98	102	105	4	3	0,8	1,3	0,4	1,5	0,8
	87,9	30,048 1.183	23,812 0.9375	3,5 0.14	3,3 0.13	25	75	80	96	101	105	4	6	3,5	3,3	0,4	1,5	0,8
	88,3	30,162 1.1875	23,812 0.9375	3,5 0.14	3,3 0.13	23	76	80	100	100	107	6	6	3,5	3,3	0,33	1,8	1
	88,3	30,162 1.1875	26,949 1.061	3,5 0.14	0,8 0.32	25	76	80	99	113	107	4	5,5	3,5	0,8	0,33	1,8	1
	90,9	38,354 1.5	29,718 1.17	3,5 0.14	3,3 0.13	26	76	80	106	110	115	7	8	3,5	3,3	0,33	1,8	1
	97,5	56,007 2.205	44,45 1.75	4,3 0.17	3,3 0.13	34	78	82	110	123	125	7	9,5	4,3	3,3	0,33	1,8	1
69,85 2.75	94,4	25,4 1	19,05 0.75	1,5 0.06	3,3 0.13	26	82	80	100	100	108	4	6	1,5	3,3	0,48	1,25	0,7
	92,5	29,007 1.142	24,237 0.9542	3,5 0.14	2 0.08	25	80	84	103	110	112	4	5,5	3,5	2	0,37	1,6	0,9
	94,3	32,545 1.2813	26,195 1.0313	3,5 0.14	3,3 0.13	25	81	84	105	108	113	6	6	3,5	3,3	0,35	1,7	0,9
	94,3	32,545 1.2813	26,195 1.0313	3,5 0.14	0,5 0.02	25	81	84	105	113	113	6	6	3,5	0,5	0,35	1,7	0,9
	97,6	36,17 1.424	28,575 1.125	3,5 0.14	3,3 0.13	28	83	84	109	115	119	5	7,5	3,5	3,3	0,37	1,6	0,9
	113	41,275 1.625	31,75 1.25	3,5 0.14	3,3 0.13	32	96	84	125	140	138	6	9,5	3,5	3,3	0,4	1,5	0,8
	71,438 2.8125	94,1	30,162 1.1875	23,812 0.9375	3,5 0.14	3,3 0.13	26	81	85	101	105	111	5	6	3,5	3,3	0,44	1,35
	110	46,038 1.8125	36,513 1.4375	3,5 0.14	3,3 0.13	36	88	86	113	124	132	7	9,5	3,5	3,3	0,48	1,25	0,7



8.2 Inch single row tapered roller bearings

d 73,025 – 88,9 mm

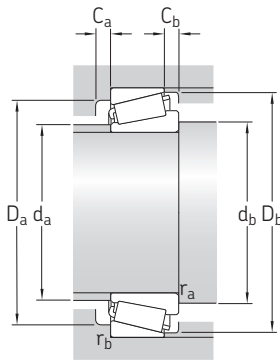
2.875 – 3.5 in.



Principal dimensions			Basic load ratings		Fatigue load limit	Speed ratings		Mass	Designation	Series
d	D	T	dynamic	static		Reference speed	Limiting speed			
mm/in.			kN		kN	r/min		kg	–	–
73,025 2.875	112,712	25,4	121	156	17,6	4 500	5 300	0,89	29685/29620	29600
	4.4375	1								
	117,475	30,162	152	190	21,6	4 500	5 300	1,2	33287/33462	33000
	4.625	1.1875								
	127	36,512	217	255	29	4 300	5 000	1,85	567/563	565
	5	1.4375								
76 2.9921	132 5.1969	39 1.5354	255	305	34,5	4 000	4 800	2,15	HM 215249/210	HM 215200
76,2 3	109,538	19,05	72,1	102	11	4 500	5 600	0,57	▶ L 814749/710	L 814700
	4.3125	0.75								
	127	30,162	171	204	24	4 000	5 000	1,45	▶ 42687/42620	42600
	5	1.1875								
	133,35	33,338	202	260	30	3 800	4 800	1,95	47678/47620	47600
	5.25	1.3125								
	139,992	36,512	227	280	31	3 800	4 500	2,45	575/572	575
	5.5115	1.4375								
	161,925	49,212	318	335	38	3 000	4 000	4,4	9285/9220	9200
	6.375	1.9375								
77,788 3.0625	121,442	24,608	115	134	15,3	4 300	5 300	0,92	34306/34478	34000
	4.7812	0.9688								
	127	30,163	171	204	24	4 000	5 000	1,4	▶ 42690/42620	42600
	5	1.1875								
82,55 3.25	139,992	36,512	227	280	31	3 800	4 500	2,2	580/572	575
	5.5115	1.4375								
	146,05	41,275	270	320	35,5	3 600	4 300	2,8	663/653	655
	5.75	1.625								
	150,089	44,45	351	405	46,5	3 600	4 300	3,4	749 A/742	745
	5.909	1.75								
85,725 3.375	133,35	30,163	178	220	25,5	3 800	4 500	1,45	497/492 A	495
	5.25	1.1875								
	146,05	41,275	270	320	35,5	3 600	4 300	2,65	665/653	655
	5.75	1.625								
88,9 3.5	152,4	39,688	237	305	33,5	3 400	4 300	2,8	593/592 A	593
	6	1.5625								
	152,4	39,688	300	355	39	3 400	4 000	2,85	HM 518445/410	HM 518400
	6	1.5625								
	161,925	53,975	404	510	56	3 200	4 000	4,8	6580/6535	6500
	6.375	2.125								

SKF Explorer bearing

▶ Popular item



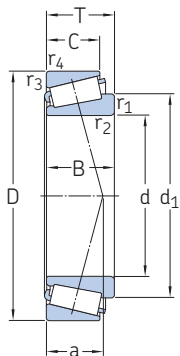
Dimensions			Abutment and fillet dimensions										Calculation factors						
d	d ₁ ≈	B	C	r _{1,2} min.	r _{3,4} min.	a	d _a max.	d _b min.	D _a min.	D _a max.	D _b min.	C _a min.	C _b min.	r _a max.	r _b max.	e	Y	Y ₀	
mm/in.							mm										-		
73,025 2.875	94,4	25,4	19,05	3,5	3,3	26	82	87	100	100	108	4	6	3,5	3,3	0,48	1,25	0,7	
	1	0,75	0,14	0,13															
	94,1	30,162	23,812	3,5	3,3	26	81	87	101	105	111	5	6	3,5	3,3	0,44	1,35	0,8	
	1,1875	0,9375	0,14	0,13															
	97,6	36,17	28,575	3,5	3,3	28	83	87	109	115	119	5	7,5	3,5	3,3	0,37	1,6	0,9	
	1,424	1,125	0,14	0,13															
76 2.9921	102	39	32	7	3,5	27	88	97	116	119	126	7	7	7	3,5	0,33	1,8	1	
	1,5354	1,2598	0,28	0,14															
76,2 3	94,5	19,05	15,083	1,5	1,5	23	85	86	98	101	105	3	3,5	1,5	1,5	0,5	1,2	0,7	
	0,75	0,5938	0,06	0,06															
	101	31	22,225	3,5	3,3	26	88	90	112	114	120	5	7,5	3,5	3,3	0,43	1,4	0,8	
	1,2205	0,875	0,14	0,13															
	107	33,338	26,195	6,4	3,3	29	93	96	117	121	126	5	7	6,4	3,3	0,4	1,5	0,8	
1,3125	1,0313	0,25	0,13																
	109	36,098	28,575	3,5	3,3	30	94	90	120	127	131	5	7,5	3,5	3,3	0,4	1,5	0,8	
	1,4212	1,125	0,14	0,13															
	121	46,038	31,75	3,5	3,3	47	93	91	128	149	153	7	17	3,5	3,3	0,72	0,84	0,45	
	1,8125	1,25	0,14	0,13															
77,788 3.0625	97,8	23,012	17,462	3,5	2	25	88	92	108	112	114	3	7	3,5	2	0,46	1,3	0,7	
	0,906	0,6875	0,14	0,08															
	101	31	22,225	3,5	3,3	26	88	92	112	114	120	5	7,5	3,5	3,3	0,43	1,4	0,8	
	1,2205	0,875	0,14	0,13															
82,55 3.25	109	36,098	28,575	3,5	3,3	30	94	97	120	127	131	5	7,5	3,5	3,3	0,4	1,5	0,8	
	1,4212	1,125	0,14	0,13															
	113	41,275	31,75	3,5	3,3	32	96	97	125	133	138	6	9,5	3,5	3,3	0,4	1,5	0,8	
	1,625	1,25	0,14	0,13															
	113	46,672	36,512	3,5	3,3	31	95	97	130	137	142	8	7,5	3,5	3,3	0,33	1,8	1	
	1,8375	1,4375	0,14	0,13															
85,725 3.375	108	29,769	22,225	3,5	3,3	29	95	100	119	121	128	5	7,5	3,5	3,3	0,44	1,35	0,8	
	1,172	0,875	0,14	0,13															
	113	41,275	31,75	3,5	3,3	32	96	100	125	133	138	6	9,5	3,5	3,3	0,4	1,5	0,8	
	1,625	1,25	0,14	0,13															
88,9 3.5	121	36,322	30,162	3,5	3,3	36	104	103	128	139	141	4	9,5	3,5	3,3	0,44	1,35	0,8	
	1,43	1,1875	0,14	0,13															
	119	39,688	30,162	6,4	3,3	32	102	109	135	139	146	7	9,5	6,4	3,3	0,4	1,5	0,8	
	1,5625	1,1875	0,25	0,13															
	125	55,1	42,862	3,5	3,3	39	102	103	134	149	153	8	11	3,5	3,3	0,4	1,5	0,8	
	2,1693	1,6875	0,14	0,13															



8.2 Inch single row tapered roller bearings

d 90 – 110 mm

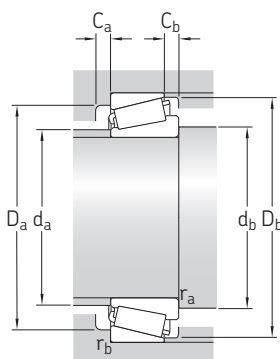
3.5433 – 4.3307 in.



Principal dimensions			Basic load ratings		Fatigue load limit	Speed ratings		Mass	Designation	Series
d	D	T	dynamic	static		Reference speed	Limiting speed			
mm/in.			kN		kN	r/min		kg	–	–
90 3.5433	147	40	280	355	39	3 400	4 300	2,55	HM 218248/210	HM 218200
	5.7874 161,925 6.375	1.5748 53,975 2.125	404	510	56	3 200	4 000	4,75	6581 X/6535	6500
92,075 3.625	146,05	33,338	209	280	31,5	3 400	4 300	2,1	47890/47820	47800
	5.75 152,4 6	1.3125 39,688 1.5625	237	305	33,5	3 400	4 300	2,7	598/592 A	595
95,25 3.75	146,05	33,338	209	280	31,5	3 400	4 300	1,95	47896/47820	47800
	5.75 152,4 6	1.3125 39,688 1.5625	237	305	33,5	3 400	4 300	2,55	594 A/592 A	595
	152,4 6	39,688 1.5625	237	305	33,5	3 400	4 300	2,55	594/592 A	595
	168,275 6.625	41,275 1.625	288	365	39	3 000	3 800	3,75	683/672	675
96,838 3.8125	188,912 7.4375	50,8 2	348	375	41,5	2 600	3 400	5,75	90381/90744	90300
99,975 3.936	212,725 8.375	66,675 2.625	619	830	88	2 200	3 000	11,5	HH 224334/310	HH 224300
100 3.937	157	42	303	400	42,5	3 200	4 000	2,9	HM 220149 A/110	HM 220100
	6.1811 157 6.1811	1.6535 42 1.6535	303	400	42,5	3 200	4 000	2,9	HM 220149/110	HM 220100
101,6 4	168,275 6.625	41,275 1.625	288	365	39	3 000	3 800	3,45	687/672	675
	190,5 7.5	57,15 2.25	537	630	68	2 800	3 400	7	HH 221449/410	HH 221400
	212,725 8.375	66,675 2.625	619	830	88	2 200	3 000	11	HH 224335/310	HH 224300
107,95 4.25	158,75 6.25	23,02 0.9063	124	163	18,3	3 200	3 800	1,4	37425/37625	37000
	165,1 6.5	36,512 1.4375	256	355	37,5	3 000	3 600	2,7	56425/56650	56000
110 4.3307	180 7.0866	41,275 1.625	307	415	42,5	2 800	3 400	3,95	64432/64708	64000

SKF Explorer bearing

► Popular item



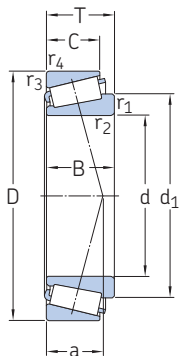
Dimensions				Abutment and fillet dimensions										Calculation factors					
d	d ₁ ≈	B	C	r _{1,2} min.	r _{3,4} min.	a	d _a max.	d _b min.	D _a min.	D _a max.	D _b min.	C _a min.	C _b min.	r _a max.	r _b max.	e	Y	Y ₀	
mm/in.							mm										-		
90 3.5433	116	40	32,5	7	3,5	29	101	111	130	134	140	7	7,5	7	3,5	0,33	1,8	1	
	125	55,1 2.1693	42,862 1.6875	3 0.12	3,3 0.13	39	102	104	134	149	153	8	11	3	3,3	0,4	1,5	0,8	
92,075 3.625	120	34,925	26,195	3,5	3,3	32	105	106	128	133	139	6	7	3,5	3,3	0,44	1,35	0,8	
	121	36,322 1.43	30,162 1.1875	3,5 0.14	3,3 0.13	36	104	107	128	139	141	4	9,5	3,5	3,3	0,44	1,35	0,8	
95,25 3.75	120	34,925	26,195	3,5	3,3	32	105	110	128	133	139	6	7	3,5	3,3	0,44	1,35	0,8	
	121	36,322 1.43	30,162 1.1875	5 0.20	3,3 0.13	36	104	113	128	139	141	4	9,5	5	3,3	0,44	1,35	0,8	
	121	36,322 1.43	30,162 1.1875	3,5 0.14	3,3 0.13	36	104	110	128	139	141	4	9,5	3,5	3,3	0,44	1,35	0,8	
96,838 3.8125	133	41,275 1.625	30,162 1.1875	3,5 0.14	3,3 0.13	38	114	110	143	155	157	6	11	3,5	3,3	0,48	1,25	0,7	
	145	46,038 1.8125	31,75 1.25	3,5 0.14	3,3 0.13	61	114	112	148	176	179	6	19	3,5	3,3	0,88	0,68	0,4	
99,975 3.936	158	66,675 2.625	53,975 2.125	3,5 0.14	3,3 0.13	46	132	115	184	199	202	10	12,5	3,5	3,3	0,33	1,8	1	
100 3.937	127	42	34	5	3,5	31	111	118	140	143	151	7	8	5	3,5	0,33	1,8	1	
	127	42	34	8	3,5	31	111	124	140	143	151	7	8	8	3,5	0,33	1,8	1	
101,6 4	133	41,275 1.625	30,162 1.1875	3,5 0.14	3,3 0.13	38	114	116	143	155	157	6	11	3,5	3,3	0,48	1,25	0,7	
	142	57,531 2.265	46,038 1.8125	8 0.32	3,3 0.13	40	119	126	163	177	179	9	11	8	3,3	0,33	1,8	1	
	158	66,675 2.625	53,975 2.125	7 0.28	3,3 0.13	46	132	124	184	199	202	10	12,5	7	3,3	0,33	1,8	1	
107,95 4.25	132	21,438 0.844	15,875 0.625	3,5 0.14	3,3 0.13	36	120	123	140	145	149	4	7	3,5	3,3	0,6	1	0,6	
	137	36,512 1.4375	26,988 1.0625	3,5 0.14	3,3 0.13	37	119	123	145	152	158	6	9,5	3,5	3,3	0,5	1,2	0,7	
110 4.3307	146	41,275 1.625	30,162 1.1875	3,5 0.14	3,3 0.13	41	126	125	155	167	171	6	11	3,5	3,3	0,52	1,15	0,6	



8.2 Inch single row tapered roller bearings

d 114,3 – 152,4 mm

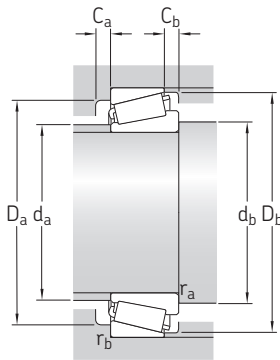
4.5 – 6 in.



Principal dimensions			Basic load ratings		Fatigue load limit	Speed ratings		Mass	Designation	Series
d	D	T	dynamic	static		Reference speed	Limiting speed			
mm/in.			kN		kN	r/min		kg	–	–
114,3 4.5	177,8 7	41,275 1.625	307	415	42,5	2 800	3 400	3,6	64450/64700	64000
	180,975 7.125	34,925 1.375	227	280	30	2 800	3 400	2,95	68450/68712	68000
	212,725 8.375	66,675 2.625	619	830	88	2 200	3 000	10	HH 224346/310	HH 224300
	212,725 8.375	66,675 2.625	626	765	81,5	2 600	3 200	10	938/932	935
114,975 4.5266	212,725 8.375	66,675 2.625	619	830	88	2 200	3 000	10	HH 224349/310	HH 224300
120,65 4.75	190,5 7.5	46,038 1.8125	388	540	56	2 600	3 200	4,85	HM 624749/710	HM 624700
	127 5	182,562 7.1875	39,688 1.5625	281	440	44	2 600	3 200	3,3	48290/48220
196,85 7.75		46,038 1.8125	395	585	60	2 400	3 000	5,2	67388/67322	67300
206,375 8.125		47,625 1.875	424	585	61	2 400	3 000	6,1	798/792	795
133,35 5.25	177,008 6.9688	25,4 1	166	280	28	2 600	3 200	1,7	▶ L 327249/210	L 327200
	196,85 7.75	46,038 1.8125	395	585	60	2 400	3 000	4,65	67391/67322	67300
	234,95 9.25	63,5 2.5	683	900	91,5	2 200	2 800	11	95525/95925	95000
	139,7 5.5	228,6 9	57,15 2.25	578	800	80	2 200	2 800	8,95	898/892
236,538 9.3125		57,15 2.25	629	850	86,5	2 200	2 600	10	HM 231132/110	HM 231100
149,225 5.875	236,538 9.3125	57,15 2.25	629	850	86,5	2 200	2 600	9,05	HM 231148/110	HM 231100
152,4 6	203,2 8	41,275 1.625	251	480	45,5	2 400	2 800	3,7	LM 330448/410	LM 330400
	222,25 8.75	46,83 1.8437	400	630	62	2 200	2 600	5,85	M 231649/610	M 231600

SKF Explorer bearing

▶ Popular item



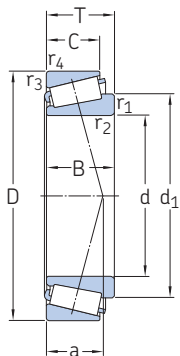
Dimensions			Abutment and fillet dimensions										Calculation factors					
d	d ₁ ≈	B	C	r _{1,2} min.	r _{3,4} min.	a	d _a max.	d _b min.	D _a min.	D _a max.	D _b min.	C _a min.	C _b min.	r _a max.	r _b max.	e	Y	Y ₀
mm/in.						mm										-		
114,3 4.5	146	41,275	30,162	3,5	3,3	41	126	129	155	164	171	6	11	3,5	3,3	0,52	1,15	0,6
		1,625	1,1875	0,14	0,13													
	144	31,75	25,4	3,5	3,3	39	129	129	158	167	170	4	9,5	3,5	3,3	0,5	1,2	0,7
		1,25	1	0,14	0,13													
	158	66,675	53,975	7	3,3	46	131	137	184	199	202	10	12,5	7	3,3	0,33	1,8	1
		2,625	2,125	0,28	0,13													
	154	66,675	53,975	7	3,3	46	130	137	175	199	193	8	12,5	7	3,3	0,33	1,8	1
		2,625	2,125	0,28	0,13													
114,975 4.5266	158	66,675	53,975	7	3,3	46	132	137	184	199	202	10	12,5	7	3,3	0,33	1,8	1
		2,625	2,125	0,28	0,13													
120,65 4.75	156	46,038	34,925	3,5	1,5	41	135	136	167	180	182	8	11	3,5	1,5	0,43	1,4	0,8
		1,8125	1,375	0,14	0,06													
127 5	154	38,1	33,338	3,5	3,3	34	140	142	165	169	174	6	6	3,5	3,3	0,3	2	1,1
		1,5	1,3125	0,14	0,13													
	164	46,038	38,1	3,5	3,3	39	146	142	177	183	189	7	7,5	3,5	3,3	0,35	1,7	0,9
		1,8125	1,5	0,14	0,13													
	167	50,013	34,925	3,3	3,3	45	144	142	178	192	195	8	12,5	3,3	3,3	0,46	1,3	0,7
		1,969	1,375	0,13	0,13													
133,35 5.25	155	26,195	20,638	1,5	1,5	28	145	144	165	167	170	5	4,5	1,5	1,5	0,35	1,7	0,9
		1,0313	0,8125	0,06	0,06													
	164	46,038	38,1	8	3,3	39	146	158	177	183	189	7	7,5	8	3,3	0,35	1,7	0,9
		1,8125	1,5	0,32	0,13													
	178	63,5	49,213	9,7	3,3	48	152	161	198	221	217	10	14	9,7	3,3	0,37	1,6	0,9
		2,5	1,9375	0,38	0,13													
139,7 5.5	181	57,15	44,45	3,5	3,3	49	155	155	195	214	215	8	12,5	3,5	3,3	0,43	1,4	0,8
		2,25	1,75	0,14	0,13													
	187	56,642	44,45	3,5	3,3	44	165	156	210	222	223	9	12,5	3,5	3,3	0,31	1,9	1,1
		2,23	1,75	0,14	0,13													
149,225 5.875	187	56,642	44,45	6,4	3,3	44	165	171	210	222	223	10	12,5	6,4	3,3	0,31	1,9	1,1
		2,23	1,75	0,25	0,13													
152,4 6	180	41,275	34,925	3,3	3,3	38	166	168	186	189	197	5	6	3,3	3,3	0,35	1,7	0,9
		1,625	1,375	0,13	0,13													
	185	46,83	34,925	3,5	1,5	40	169	168	200	211	210	7	11,5	3,5	1,5	0,33	1,8	1
		1,8437	1,375	0,14	0,06													



8.2 Inch single row tapered roller bearings

d 158,75 – 203,2 mm

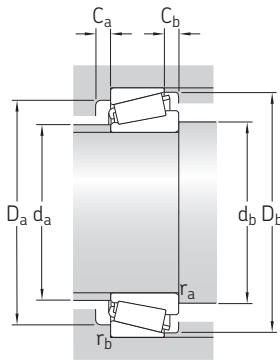
6.25 – 8 in.



Principal dimensions			Basic load ratings		Fatigue load limit	Speed ratings		Mass	Designation	Series
d	D	T	dynamic	static		Reference speed	Limiting speed			
mm/in.			kN		kN	r/min		kg	–	–
158,75 6.25	205,583 8.0938	23,812 0.9375	168	280	27	2 200	2 800	1,9	▶ L 432348/310	L 432300
	205,583 8.0938	23,813 0.9375	168	280	27	2 200	2 800	1,95	▶ L 432349/310	L 432300
165,1 6.5	336,55 13.25	92,075 3.625	1 198	1 700	156	1 400	1 900	37	HH 437549/510	HH 437500
177,8 7	227,012 8.9375	30,162 1.1875	231	425	40	2 000	2 400	2,95	▶ 36990/36920	36900
	288,925 11.375	63,5 2.5	774	1 140	108	1 700	2 000	16	94700/94113	94000
178,595 7.0313	265,112 10.4375	51,595 2.0313	532	880	85	1 800	2 200	9,55	M 336948/912	M 336900
179,934 7.084	265,112 10.4375	51,595 2.0313	532	880	85	1 800	2 200	9,4	M 336949/912	M 336900
187,325 7.375	282,575 11.125	50,8 2	427	695	67	1 700	2 000	9,9	87737/87111	87000
189,738 7.47	279,4 11	52,388 2.0625	643	980	93	1 700	2 000	11	M 239447/410	M 239400
190,5 7.5	282,575 11.125	50,8 2	427	695	67	1 700	2 000	9,55	87750/87111	87000
196,85 7.75	241,3 9.5	23,812 0.9375	189	315	29	1 900	2 400	2,1	▶ LL 639249/210	LL 639200
	257,175 10.125	39,688 1.5625	339	655	58,5	1 800	2 200	5,35	LM 739749/710	LM 739700
198,298 7.807	279,4 11	46,038 1.8125	465	830	76,5	1 600	2 000	9,2	67981/67919	67900
199,949 7.872	279,4 11	46,038 1.8125	465	830	76,5	1 600	2 000	9	67982/67919	67900
200,025 7.875	276,225 10.875	42,862 1.6875	478	780	72	1 700	2 000	7,7	LM 241147/110	LM 241100
203,2 8	282,575 11.125	46,038 1.8125	465	830	76,5	1 600	2 000	8,85	67983/67920	67900

SKF Explorer bearing

▶ Popular item



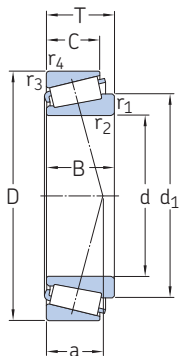
Dimensions			Abutment and fillet dimensions											Calculation factors					
d	d ₁ ≈	B	C	r _{1,2} min.	r _{3,4} min.	a	d _a max.	d _b min.	D _a min.	D _a max.	D _b min.	C _a min.	C _b min.	r _a max.	r _b max.	e	Y	Y ₀	
mm/in.							mm											-	
158,75 6.25	181	23,812 0.9375	18,258 0.7188	4,8 0.19	1,5 0.06	32	172	177	194	195	197	5	5,5	4,8	1,5	0,37	1,6	0,9	
	181	23,812 0.9375	18,258 0.7188	1,5 0.06	1,5 0.06	32	172	170	194	195	197	5	5,5	1,5	1,5	0,37	1,6	0,9	
165,1 6.5	242	95,25 3.75	69,85 2.75	3,3 0.13	6,4 0.25	69	203	182	280	315	308	14	22	3,3	6,4	0,37	1,6	0,9	
177,8 7	203	30,162 1.1875	23,02 0.9063	1,5 0.13	1,5 0.13	42	190	190	212	216	220	5	7	1,5	1,5	0,44	1,35	0,8	
	232	63,5 2.5	47,625 1.875	7 0.28	3,3 0.13	62	201	201	247	274	270	10	15,5	7	3,3	0,46	1,3	0,7	
178,595 7.0313	216	57,15 2.25	38,895 1.5313	3,3 0.13	3,3 0.13	46	196	195	240	250	251	9	12,5	3,3	3,3	0,33	1,8	1	
179,934 7.084	216	57,15 2.25	38,895 1.5313	3,3 0.13	3,3 0.13	46	196	196	240	250	251	9	12,5	3,3	3,3	0,33	1,8	1	
187,325 7.375	232	47,625 1.875	36,512 1.4375	3,5 0.14	3,3 0.13	54	213	204	253	267	267	6	14	3,5	3,3	0,43	1,4	0,8	
189,738 7.47	232	57,15 2.25	41,275 1.625	3,3 0.13	3,3 0.13	48	211	206	254	264	266	9	11	3,3	3,3	0,33	1,8	1	
190,5 7.5	232	47,625 1.875	36,512 1.4375	3,5 0.14	3,3 0.13	54	213	207	253	267	267	6	14	3,5	3,3	0,43	1,4	0,8	
196,85 7.75	217	23,017 0.9062	17,462 0.6875	1,5 0.06	1,5 0.06	40	207	209	232	230	235	5	6	1,5	1,5	0,43	1,4	0,8	
	229	39,688 1.5625	30,162 1.1875	3,5 0.14	3,3 0.13	50	210	213	236	242	247	8	9,5	3,5	3,3	0,44	1,35	0,8	
198,298 7.807	246	49,212 1.9375	36,512 1.4375	3,5 0.14	3,3 0.13	60	223	215	254	264	272	8	9,5	3,5	3,3	0,5	1,2	0,7	
199,949 7.872	246	49,212 1.9375	36,512 1.4375	3,5 0.14	3,3 0.13	60	223	217	254	264	272	8	9,5	3,5	3,3	0,5	1,2	0,7	
200,025 7.875	236	46,038 1.8125	34,133 1.3438	3,5 0.14	3,3 0.13	44	220	217	257	261	265	7	8,5	3,5	3,3	0,31	1,9	1,1	
203,2 8	246	46,038 1.8125	36,512 1.4375	3,5 0.14	3,3 0.13	60	222	220	254	267	272	8	9,5	3,5	3,3	0,5	1,2	0,7	



8.2 Inch single row tapered roller bearings

d 203,987 – 304,8 mm

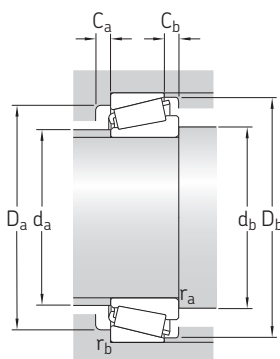
8.031 – 12 in.



Principal dimensions			Basic load ratings		Fatigue load limit	Speed ratings		Mass	Designation	Series
d	D	T	dynamic	static		Reference speed	Limiting speed			
mm/in.			kN		kN	r/min		kg	–	–
203,987 8.031	276,225 10.875	42,862 1.6875	478	780	72	1 700	2 000	7,2	LM 241148/110	LM 241100
206,375 8.125	282,575 11.125	46,038 1.8125	465	830	76,5	1 600	2 000	8,45	67985/67920	67900
	336,55 13.25	98,425 3.875	1 230	2 160	190	1 300	1 800	34	H 242649/610	H 242600
216,408 8.52	285,75 11.25	46,038 1.8125	466	850	76,5	1 600	2 000	7,9	LM 742747/710	LM 742700
220,662 8.6875	314,325 12.375	61,912 2.4375	784	1 320	118	1 500	1 800	15	M 244249 A/210	M 244200
230,188 9.0625	317,5 12.5	47,625 1.875	556	980	90	1 500	1 800	11	LM 245846/810	LM 245800
231,775 9.125	300,038 11.8125	33,338 1.3125	267	425	39	1 500	1 900	5,2	▶ 544091/544118	544000
	317,5 12.5	47,625 1.875	556	980	90	1 500	1 800	10,5	▶ LM 245848/810	LM 245800
234,848 9.246	314,325 12.375	49,212 1.9375	608	1 000	91,5	1 500	1 800	10,5	▶ LM 545848/810	LM 545800
255,6 10.063	342,9 13.5	57,15 2.25	698	1 400	125	1 300	1 600	15	M 349547/510	M 349500
257,175 10.125	342,9 13.5	57,15 2.25	698	1 400	125	1 300	1 600	14	M 349549/510	M 349500
	358,775 14.125	71,438 2.8125	1 030	1 760	156	1 300	1 600	21,5	M 249747/710	M 249700
263,525 10.375	325,438 12.8125	28,575 1.125	273	550	48	1 400	1 700	5,3	38880/38820	38800
	355,6 14	57,15 2.25	789	1 400	122	1 300	1 600	16	LM 451345/310	LM 451300
292,1 11.5	374,65 14.75	47,625 1.875	539	1 140	98	1 200	1 500	12,5	▶ L 555249/210	L 555200
304,8 12	393,7 15.5	50,8 2	655	1 220	104	1 100	1 400	15	▶ L 357049/010	L 357000
	406,4 16	63,5 2.5	775	1 700	143	1 100	1 300	22,5	LM 757049/010	LM 757000

SKF Explorer bearing

▶ Popular item



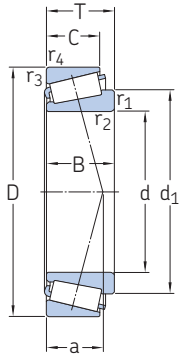
Dimensions			Abutment and fillet dimensions											Calculation factors					
d	d ₁ ≈	B	C	r _{1,2} min.	r _{3,4} min.	a	d _a max.	d _b min.	D _a min.	D _a max.	D _b min.	C _a min.	C _b min.	r _a max.	r _b max.	e	Y	Y ₀	
mm/in.							mm											-	
203,987 8.031	236	46,038 1.8125	34,133 1.3438	3,5 0.14	3,3 0.13	44	220	221	257	261	265	7	8,5	3,5	3,3	0,31	1,9	1,1	
206,375 8.125	246	46,038 1.8125	36,512 1.4375	3,5 0.14	3,3 0.13	60	222	223	254	267	272	8	9,5	3,5	3,3	0,5	1,2	0,7	
	268	100,013 3.9375	77,788 3.0625	3,3 0.13	3,3 0.13	72	231	223	290	321	318	14	20,5	3,3	3,3	0,33	1,8	1	
216,408 8.52	253	49,212 1.9375	34,925 1.375	3,5 0.14	3,3 0.13	60	230	233	261	270	277	7	11	3,5	3,3	0,48	1,25	0,7	
220,662 8.6875	264	66,675 2.625	49,212 1.9375	1,5 0.06	3,3 0.13	56	241	234	284	299	300	9	12,5	1,5	3,3	0,33	1,8	1	
230,188 9.0625	268	52,388 2.0625	36,512 1.4375	3,3 0.13	3,3 0.13	49	249	247	296	302	304	9	11	3,3	3,3	0,31	1,9	1,1	
231,775 9.125	260	31,75 1.25	23,812 0.9375	3,5 0.14	3,3 0.13	49	247	249	278	284	284	5	9,5	3,5	3,3	0,4	1,5	0,8	
	268	52,388 2.0625	36,512 1.4375	3,3 0.13	3,3 0.13	49	249	249	296	302	304	9	11	3,3	3,3	0,31	1,9	1,1	
234,848 9.246	271	53,975 2.125	36,512 1.4375	3,5 0.14	3,3 0.13	57	250	252	291	299	304	9	12,5	3,5	3,3	0,4	1,5	0,8	
255,6 10.063	296	63,5 2.5	44,45 1.75	1,5 0.06	3,3 0.13	59	273	269	318	327	331	9	12,5	1,5	3,3	0,35	1,7	0,9	
257,175 10.125	296	57,15 2.25	44,45 1.75	6,4 0.25	3,3 0.13	59	273	281	318	327	331	9	12,5	6,4	3,3	0,35	1,7	0,9	
	303	76,2 3	53,975 2.125	1,5 0.06	3,3 0.13	64	276	271	326	343	343	11	17	1,5	3,3	0,33	1,8	1	
263,525 10.375	293	28,575 1.125	25,4 1	1,5 0.06	1,5 0.06	48	282	277	307	313	313	4	3	1,5	1,5	0,37	1,6	0,9	
	309	57,15 2.25	44,45 1.75	3,5 0.14	3,3 0.13	61	285	281	329	339	343	10	12,5	3,5	3,3	0,35	1,7	0,9	
292,1 11.5	330	47,625 1.875	34,925 1.375	3,5 0.14	3,3 0.13	64	310	310	350	358	361	9	12,5	3,5	3,3	0,4	1,5	0,8	
304,8 12	347	50,8 2	38,1 1.5	6,4 0.25	3,3 0.13	64	327	329	368	377	379	7	12,5	6,4	3,3	0,35	1,7	0,9	
	356	63,5 2.5	47,625 1.875	6,4 0.25	3,3 0.13	79	327	329	370	389	391	10	15,5	6,4	3,3	0,44	1,35	0,8	



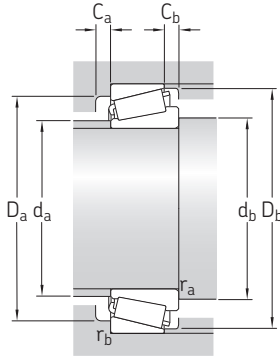
8.2 Inch single row tapered roller bearings

d 317,5 – 457,2 mm

12.5 – 18 in.



Principal dimensions			Basic load ratings		Fatigue load limit	Speed ratings		Mass	Designation	Series
d	D	T	dynamic	static		Reference speed	Limiting speed			
mm/in.			kN		kN	r/min		kg	–	–
317,5 12.5	447,675 17.625	85,725 3.375	1 363	2 700	220	900	1 200	41	HM 259048/010/HA4	HM 259000
333,375 13.125	469,9 18.5	90,488 3.5625	1 428	2 850	232	850	1 200	47	HM 261049/010	HM 261000
342,9 13.5	450,85 17.75	66,675 2.625	1 000	2 200	180	900	1 200	28	LM 361649/610	LM 361600
343,154 13.51	450,85 17.75	66,675 2.625	1 000	2 200	180	900	1 200	28	LM 361649 A/610	LM 361600
346,075 13.625	488,95 19.25	95,25 3.75	1 533	3 150	255	850	1 100	55	HM 262749/710	HM 262700
381 15	479,425 18.875	49,213 1.9375	638	1 500	120	800	1 100	20	L 865547/512	L 865500
406,4 16	549,275 21.625	85,725 3.375	1 467	3 050	236	700	950	53,5	LM 567949/910/HA1	LM 567900
431,8 17	571,5 22.5	74,612 2.9375	1 145	2 550	204	670	900	49	LM 869448/410	LM 869400
457,2 18	573,088 22.5625	74,612 2.9375	1 205	3 000	228	670	900	43,5	L 570649/610	L 570600

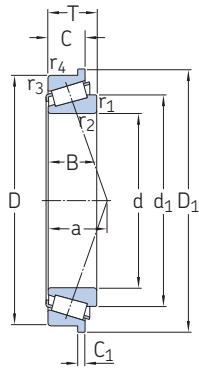


Dimensions				Abutment and fillet dimensions										Calculation factors					
d	d ₁ ≈	B	C	r _{1,2} min.	r _{3,4} min.	a	d _a max.	d _b min.	D _a min.	D _a max.	D _b min.	C _a min.	C _b min.	r _a max.	r _b max.	e	Y	Y ₀	
mm/in.							mm										-		
317,5 12.5	376	85,725 3.375	68,262 2.6875	3,5 0.14	3,3 0.13	80	341	339	405	428	428	9	17	3,5	3,3	0,33	1,8	1	
333,375 13.125	399	90,488 3.5625	71,438 2.1825	6,4 0.25	3,3 0.13	85	362	365	428	453	452	6	19	6	3,1	0,33	1,8	1	
342,9 13.5	393	66,675 2.625	52,388 2.0625	8,5 0.33	3,5 0.14	75	365	385	417	433	434	9	14	7,5	3,3	0,35	1,7	0,9	
343,154 13.51	393	66,675 2.625	52,388 2.0625	8,5 0.33	3,5 0.14	75	365	385	417	433	434	9	14	7,5	3,3	0,35	1,7	0,9	
346,075 13.625	413	95,25 3.75	74,612 2.9375	6,4 0.25	3,3 0.13	88	379	378	442	472	467	8	21	6	3,1	0,33	1,8	1	
381 15	430	47,625 1.875	34,925 1.375	6,4 0.25	3,3 0.13	92	406	413	448	462	463	6	14	6	3,1	0,5	1,2	0,7	
406,4 16	473	84,138 3.3125	61,612 2.4257	6,4 0.25	3,3 0.13	100	434	438	502	532	526	9	23,5	6	3,1	0,4	1,5	0,8	
431,8 17	500	74,612 2.9375	52,388 2.0625	3,3 0.13	3,3 0.13	120	462	455	520	550	549	8	22	3,3	3,3	0,54	1,1	0,6	
457,2 18	516	74,612 2.9375	57,15 2.25	6,4 0.25	6,4 0.25	101	482	489	534	541	556	9	17	6	6	0,4	1,5	0,8	



8.3 Single row tapered roller bearings with a flanged outer ring

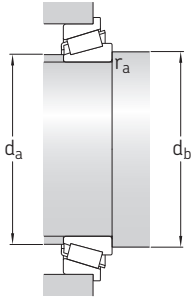
d 35 – 65 mm



Principal dimensions			Basic load ratings		Fatigue load limit	Speed ratings		Mass	Designation
d	D	T	dynamic	static		Reference speed	Limiting speed		
mm			kN		kN	r/min		kg	–
35	80	22,75	88,9	73,5	8,3	7 500	9 000	0,53	30307 R
			64,7	71					
40	68	19	75,8	68	7,65	7 000	8 500	0,29	32008 XR
			19,75	75,8					
45	100	38,25	166	176	20	5 000	6 700	1,55	32309 BR
55	120	45,5	233	260	30	4 300	5 600	2,55	32311 BR
65	110	34	175	208	24	4 800	5 600	1,3	33113 R
			240	228					

8.3



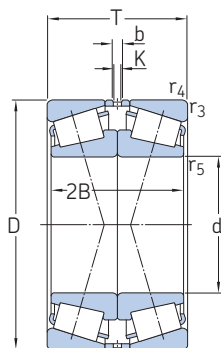


Dimensions									Abutment and fillet dimensions			Calculation factors		
d	d_1 ≈	D_1	B	C	C_1	$r_{1,2}$ min.	$r_{3,4}$ min.	a	d_a max.	d_b min.	r_a max.	e	Y	Y_0
mm									mm			-		
35	54,5	85	21	18	4,5	2	1,5	16	46	44,5	2	0,31	1,9	1,1
40	54,7	72	19	14,5	3,5	1	1	14	46	47,5	1	0,37	1,6	0,9
	57,5	85	18	16	4	1,5	1,5	16	49	48,5	1,5	0,37	1,6	0,9
45	76,1	106	36	30	7	2	1,5	29	56	55	2	0,54	1,1	0,6
55	90,5	127	43	35	8	2,5	2	36	67	67	2,5	0,54	1,1	0,6
65	88,3	116	34	26,5	5,5	1,5	1,5	25	74	75	1,5	0,4	1,5	0,8
	98,7	147	33	28	6	3	2,5	27	84	78	3	0,35	1,7	0,9



8.4 Matched bearings arranged face-to-face

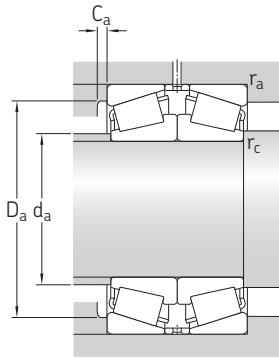
d 25 – 55 mm



Principal dimensions			Basic load ratings		Fatigue load limit	Speed ratings		Mass	Designation
d	D	T	dynamic	static		Reference speed	Limiting speed		
mm			kN		kN	r/min		kg	–
25	62	36,5	79,9	80	8,65	6 700	11 000	0,55	▶ 31305/DF
30	62	34,5	85,7	88	9,65	7 500	11 000	0,48	30206/DF
	62	42,5	106	116	12,7	7 500	11 000	0,59	32206/DF
	72	41,5	100	100	11,4	5 600	9 500	0,82	▶ 31306/DF
35	72	41,5	119	112	12,7	6 700	10 000	0,81	30306/DF
	62	36	89,7	108	11,6	7 000	10 000	0,46	32007/DF
	72	48,5	139	156	17	6 300	9 500	0,91	32207/DF
40	72	56	178	212	23,6	6 300	9 500	1,1	33207/DF
	80	45,5	129	134	15,6	5 000	8 500	1,1	31307/DF
	80	45,5	152	150	16,6	6 000	9 000	1,05	30307/DF
45	75	52	167	208	22,8	6 000	9 000	1,05	33108/DF
	80	39,5	130	137	15,3	5 600	8 500	0,87	30208/DF
	90	50,5	156	163	19	4 500	7 500	1,5	31308/DF
50	75	40	123	160	17,6	5 600	8 500	0,71	32009/DF
	85	49,5	169	196	22	5 300	8 000	1,2	32209/DF
	100	54,5	194	204	24,5	4 000	6 700	2	31309/DF
55	100	54,5	227	240	28,5	4 500	7 000	2	30309/DF
	80	40	129	176	19,3	5 300	8 000	0,78	32010/DF
	80	48	145	204	22,8	5 300	8 000	0,92	33010/DF
55	90	43,5	160	183	20,8	4 800	7 500	1,1	30210/DF
	90	49,5	173	200	22,8	4 800	7 500	1,3	32210/DF
	90	64	243	320	36,5	4 800	7 000	1,75	33210/DF
55	110	58,5	224	240	28,5	3 600	6 000	2,55	31310/DF
	90	46	170	232	26	4 500	7 000	1,15	32011/DF
	90	54	191	270	30,5	4 500	7 000	1,35	33011/DF
55	100	45,5	190	212	24	4 500	6 700	1,45	30211/DF
	100	53,5	222	260	30	4 300	6 700	1,75	32211/DF
	120	63	256	275	33,5	3 400	5 600	3,25	31311/DF
	120	63	302	325	39	3 800	5 600	3,25	30311/DF

SKF Explorer bearing

▶ Popular item

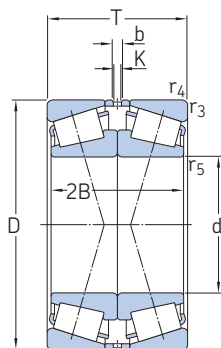


Dimensions				Abutment and fillet dimensions								Calculation factors			
d	2B	b	K	$r_{3,4}$ min.	r_5 min.	d_a max.	D_a min.	D_a max.	C_a min.	r_a max.	r_c max.	e	Y_1	Y_2	Y_0
mm						mm						-			
25	34	6	4	1,5	0,6	34	47	55	3	1,5	0,6	0,83	0,81	1,2	0,8
30	32	3	3	1	0,3	38	53	56	2	1	0,3	0,37	1,8	2,7	1,8
	40	4	3	1	0,3	37	52	56	3	1	0,3	0,37	1,8	2,7	1,8
	38	8	5,5	1,5	0,6	40	55	65	3	1,5	0,6	0,83	0,81	1,2	0,8
	38	6	3	1,5	0,6	41	62	64	3	1,5	0,6	0,31	2,2	3,3	2,2
35	36	5	3	1	0,3	41	54	56	4	1	0,3	0,46	1,5	2,2	1,4
	46	5	3	1,5	0,6	43	61	64	3	1,5	0,6	0,37	1,8	2,7	1,8
	56	7	4	1,5	0,6	43	61	64	5	1,5	0,6	0,35	1,9	2,9	1,8
	42	8	6	1,5	0,6	45	62	72	3	1,5	0,6	0,83	0,81	1,2	0,8
	42	5	3	1,5	0,6	46	70	72	3	1,5	0,6	0,31	2,2	3,3	2,2
40	52	7	4	1,5	0,6	47	65	67	4	1,5	0,6	0,35	1,9	2,9	1,8
	36	4	3	1,5	0,6	49	69	72	3	1,5	0,6	0,37	1,8	2,7	1,8
	46	11	8	1,5	0,6	51	71	82	3	1,5	0,6	0,83	0,81	1,2	0,8
45	40	5	4,5	1	0,3	52	67	68	4	1	0,3	0,4	1,7	2,5	1,6
	46	7	3	1,5	0,6	54	73	77	3	1,5	0,6	0,4	1,7	2,5	1,6
	50	10	8,5	1,5	0,6	57	79	92	4	1,5	0,6	0,83	0,81	1,2	0,8
	50	6	3	1,5	0,6	59	86	92	3	1,5	0,6	0,35	1,9	2,9	1,8
50	40	5	4,5	1	0,3	57	72	73	4	1	0,3	0,43	1,6	2,3	1,6
	48	6	4	1	0,3	57	72	73	4	1	0,3	0,31	2,2	3,3	2,2
	40	4	3	1,5	0,6	59	79	82	3	1,5	0,6	0,43	1,6	2,3	1,6
	46	7	3	1,5	0,6	58	78	82	3	1,5	0,6	0,43	1,6	2,3	1,6
	64	9	5	1,5	0,6	57	77	82	5	1,5	0,6	0,4	1,7	2,5	1,6
	54	10	7,5	2	0,6	63	87	101	4	2	0,6	0,83	0,81	1,2	0,8
55	46	7	4,5	1,5	0,6	63	81	82	4	1,5	0,6	0,4	1,7	2,5	1,6
	54	7	4,5	1,5	0,6	64	81	82	5	1,5	0,6	0,31	2,2	3,3	2,2
	42	6	3	1,5	0,6	64	88	92	4	1,5	0,6	0,4	1,7	2,5	1,6
	50	7	3	1,5	0,6	64	87	92	4	1,5	0,6	0,4	1,7	2,5	1,6
	58	10	7,5	2	0,6	68	94	111	4	2	0,6	0,83	0,81	1,2	0,8
	58	8	4,5	2	0,6	72	104	110	4	2	0,6	0,35	1,9	2,9	1,8

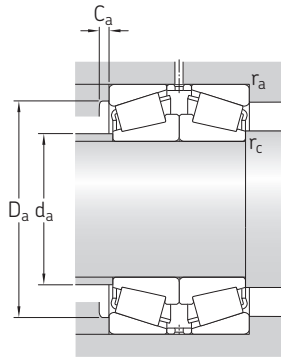


8.4 Matched bearings arranged face-to-face

d 60 – 80 mm



Principal dimensions			Basic load ratings		Fatigue load limit	Speed ratings		Mass	Designation
d	D	T	C	C ₀	P _u	Reference speed	Limiting speed		
mm			kN		kN	r/min		kg	–
60	95	46	173	245	27	4 300	6 700	1,2	32012 X/DF
	110	47,5	207	228	26,5	4 000	6 000	1,8	30212/DF
	110	59,5	266	320	37,5	4 000	6 000	2,4	32212/DF
	110	76	354	475	53	3 800	6 000	3,15	33212/DF
	130	67	303	335	40,5	3 000	5 300	4,05	31312/DF
	130	67	357	390	47,5	3 600	5 300	4,1	30312/DF
	130	97	483	585	68	3 200	5 300	6,05	32312/DF
65	100	46	176	255	28	4 000	6 000	1,3	32013 X/DF
	100	54	204	310	34,5	4 000	6 300	1,55	33013/DF
	120	49,5	242	270	32,5	3 600	5 600	2,3	30213/DF
	120	65,5	320	390	45,5	3 600	5 600	3,1	32213/DF
	140	72	348	380	47,5	2 800	4 800	5	31313/DF
70	110	50	214	305	34,5	3 800	5 600	1,75	32014 X/DF
	110	62	273	400	45,5	3 800	5 600	2,2	33014/DF
	120	74	361	500	57	3 600	5 300	3,45	33114/DF
	125	66,5	334	415	49	3 400	5 300	3,3	32214/DF
	150	76	393	440	54	2 600	4 500	6,1	31314/DF
75	115	62	286	455	52	3 600	5 300	2,4	33015/DF
	115	62	286	455	52	3 600	5 300	2,4	33015/DFC240
	125	74	370	530	60	3 400	5 000	3,65	33115/DF
	130	54,5	293	355	41,5	3 400	5 000	2,85	30215/DF
	130	66,5	337	425	49	3 200	5 000	3,4	32215/DF
	130	82	436	600	68	3 200	4 800	4,5	33215/DF
	160	80	438	490	58,5	2 400	4 300	7,15	▶ 31315/DF
	160	116	713	880	102	2 600	4 300	11	32315/DF
80	125	58	288	430	49	3 200	5 000	2,65	32016 X/DF
	130	74	379	560	62	3 200	4 800	3,8	33116/DF
	140	70,5	391	490	57	3 000	4 500	4,25	32216/DF
	140	92	527	750	83	3 000	4 500	5,95	33216/DF
	170	85	473	530	61	2 400	4 000	8,65	31316/DF
	170	123	693	1 000	112	2 600	4 000	13	32316/DF

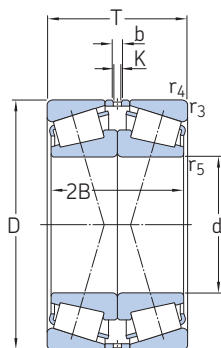


Dimensions				Abutment and fillet dimensions								Calculation factors			
d	2B	b	K	$r_{3,4}$ min.	r_5 min.	d_a max.	D_a min.	D_a max.	C_a min.	r_a max.	r_c max.	e	Y_1	Y_2	Y_0
mm						mm						-			
60	46	7	4,5	1,5	0,6	67	85	87	4	1,5	0,6	0,43	1,6	2,3	1,6
	44	4	3	1,5	0,6	70	96	101	3	1,5	0,6	0,4	1,7	2,5	1,6
	56	7	3	1,5	0,6	69	95	102	4	1,5	0,6	0,4	1,7	2,5	1,6
	76	10	7,5	1,5	0,6	69	93	102	6	1,5	0,6	0,4	1,7	2,5	1,6
	62	13	10	2,5	1	74	103	119	5	2,5	1	0,83	0,81	1,2	0,8
	62	9	6	2,5	1	77	112	119	5	2,5	1	0,35	1,9	2,9	1,8
	92	15	6	2,5	1	74	107	119	6	2,5	1	0,35	1,9	2,9	1,8
65	46	7	4,5	1,5	0,6	73	90	92	4	1,5	0,6	0,46	1,5	2,2	1,4
	54	7	4,5	1,5	0,6	72	89	92	5	1,5	0,6	0,35	1,9	2,9	1,8
	46	5	3	1,5	0,6	78	106	111	4	1,5	0,6	0,4	1,7	2,5	1,6
	62	7	3	1,5	0,6	76	104	111	4	1,5	0,6	0,4	1,7	2,5	1,6
	66	12	9	2,5	1	80	111	129	5	2,5	1	0,83	0,81	1,2	0,8
70	50	6	4,5	1,5	0,6	78	98	101	5	1,5	0,6	0,43	1,6	2,3	1,6
	62	6	4,5	1,5	0,6	78	99	101	5	1,5	0,6	0,28	2,4	3,6	2,5
	74	9	6	1,5	0,6	80	104	111	6	1,5	0,6	0,37	1,8	2,7	1,8
	62	7	3	1,5	0,6	81	108	116	4	1,5	0,6	0,43	1,6	2,3	1,6
	70	10	7,5	2,5	1	85	118	139	5	2,5	1	0,83	0,81	1,2	0,8
75	62	7	5	1,5	0,6	84	104	106	6	1,5	0,6	0,3	2,3	3,4	2,2
	62	7	5	1,5	0,6	84	104	106	6	1,5	0,6	0,3	2,3	3,4	2,2
	74	9	7	1,5	0,6	84	109	116	6	1,5	0,6	0,4	1,7	2,5	1,6
	50	4	3	1,5	0,6	87	115	121	4	1,5	0,6	0,43	1,6	2,3	1,6
	62	7	3	1,5	0,6	85	114	121	4	1,5	0,6	0,43	1,6	2,3	1,6
	82	11	7,5	1,5	0,6	84	111	121	6	1,5	0,6	0,43	1,6	2,3	1,6
	74	15	10	2,5	1	91	127	149	5	2,5	1	0,83	0,81	1,2	0,8
	110	15	7,5	2,5	1	92	133	149	7	2,5	1	0,35	1,9	2,9	1,8
80	58	5	2	1,5	0,6	90	112	116	6	1,5	0,6	0,43	1,6	2,3	1,6
	74	9	6	1,5	0,6	89	114	121	6	1,5	0,6	0,43	1,6	2,3	1,6
	66	4	4,5	2	0,6	91	122	130	5	2	0,6	0,43	1,6	2,3	1,6
	92	13	7,5	2	0,6	90	119	130	7	2	0,6	0,43	1,6	2,3	1,6
	78	15	10	2,5	1	97	134	159	5	2,5	1	0,83	0,81	1,2	0,8
	116	15	7,5	2,5	1	98	142	159	7	2,5	1	0,35	1,9	2,9	1,8



8.4 Matched bearings arranged face-to-face

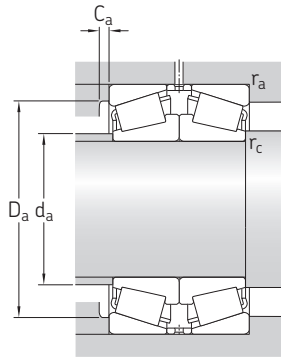
d 85 – 110 mm



Principal dimensions			Basic load ratings		Fatigue load limit	Speed ratings		Mass	Designation
d	D	T	dynamic	static		Reference speed	Limiting speed		
mm			kN		kN	r/min		kg	–
85	130	58	293	450	51	3 200	4 800	2,8	32017 X/DF
	130	72	382	620	69,5	3 200	4 800	3,5	33017/DF
	150	61	370	440	51	3 000	4 300	4,25	30217/DF
	150	77	451	570	65,5	2 800	4 300	5,4	32217/DF
	150	98	606	850	96,5	2 800	4 300	7,3	33217/DF
	180	89	510	570	64	2 200	3 800	9,9	31317/DF
90	140	64	356	540	62	3 000	4 300	3,65	32018 X/DF
	140	78	457	710	78	3 000	4 500	4,5	33018/DF
	160	65	411	490	57	2 800	4 000	5,2	▶ 30218/DF
	160	85	529	680	76,5	2 600	4 000	6,85	32218/DF
	190	93	486	630	71	1 900	3 400	11,5	▶ 31318/DF
	190	135	835	1 220	132	2 200	3 600	17,5	32318/DF
95	145	64	353	540	61	2 800	4 300	3,8	32019 X/DF
	145	78	467	735	81,5	2 800	4 300	4,7	33019/DF
	170	91	597	780	86,5	2 600	3 800	8,4	▶ 32219/DF
	200	99	539	710	78	1 800	3 400	13,5	▶ 31319/DF
	140	50	252	405	45	2 800	4 300	2,35	32920/DF
	150	64	359	560	62	2 600	4 000	3,9	32020 X/DF
100	180	74	521	640	72	2 400	3 600	7,5	▶ 30220/DF
	180	98	668	880	96,5	2 400	3 600	10	▶ 32220/DF
	215	103	739	980	106	1 900	3 200	17	30320/DF
	215	113	685	930	102	1 700	3 000	18,5	▶ 31320 X/DF
	215	155	1 057	1 560	166	1 900	3 200	26	32320/DF
	160	70	426	670	73,5	2 600	3 800	5,05	32021 X/DF
105	190	78	571	710	80	2 200	3 400	9	30221/DF
	190	106	760	1 020	110	2 200	3 400	12,5	32221/DF
	170	76	494	780	80	2 400	3 600	6,3	32022 X/DF
110	170	76	494	780	80	2 400	3 600	6,3	32022 X/DF
	180	112	781	1 250	132	2 200	3 400	11,5	33122/DF
	200	82	561	800	86,5	2 200	3 200	10,5	▶ 30222/DF
	200	112	842	1 140	122	2 200	3 200	14,5	▶ 32222/DF
	240	126	841	1 160	122	1 500	2 800	26	▶ 31322 X/DF
	240	169	1 158	1 660	173	1 700	2 800	35	32322/DF

SKF Explorer bearing

▶ Popular item

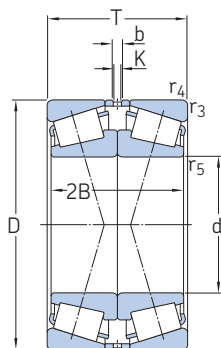


Dimensions				Abutment and fillet dimensions								Calculation factors			
d	2B	b	K	r _{3,4} min.	r ₅ min.	d _a max.	D _a min.	D _a max.	C _a min.	r _a max.	r _c max.	e	Y ₁	Y ₂	Y ₀
mm						mm						-			
85	58	8	4,5	1,5	0,6	95	117	121	6	1,5	0,6	0,44	1,5	2,3	1,4
	72	6	4,5	1,5	0,6	95	118	121	6	1,5	0,6	0,3	2,3	3,4	2,2
	56	6	4,5	2	0,6	97	132	140	5	2	0,6	0,43	1,6	2,3	1,6
	72	10	4,5	2	0,6	97	130	140	5	2	0,6	0,43	1,6	2,3	1,6
	98	10	7,5	2	0,6	96	128	140	7	2	0,6	0,43	1,6	2,3	1,6
	82	15	10	3	1	104	143	167	5	3	1	0,83	0,81	1,2	0,8
90	64	8	6	1,5	0,6	100	125	131	6	1,5	0,6	0,43	1,6	2,3	1,6
	78	8	6	1,5	0,6	101	127	131	7	1,5	0,6	0,27	2,5	3,7	2,5
	60	6	4,5	2	0,6	104	140	150	5	2	0,6	0,43	1,6	2,3	1,6
	80	10	4,5	2	0,6	103	138	150	5	2	0,6	0,43	1,6	2,3	1,6
	86	15	10	3	1	110	151	177	5	3	1	0,83	0,81	1,2	0,8
	128	16	7,5	3	1	109	157	177	7	3	1	0,35	1,9	2,9	1,8
95	64	9	6	1,5	0,6	106	130	136	6	1,5	0,6	0,44	1,5	2,3	1,4
	78	8	4,5	1,5	0,6	105	131	136	7	1,5	0,6	0,28	2,4	3,6	2,5
	86	10	6	2,5	1	109	145	158	5	2,5	1	0,43	1,6	2,3	1,6
	90	15	10	3	1	114	157	187	5	3	1	0,83	0,81	1,2	0,8
100	50	6	3	1,5	0,6	110	131	131	5	1,5	0,6	0,33	2	3	2
	64	10	8	1,5	0,6	110	134	141	6	1,5	0,6	0,46	1,5	2,2	1,4
	68	8	6	2,5	1	116	157	168	5	2,5	1	0,43	1,6	2,3	1,6
	92	8	6	2,5	1	115	154	168	5	2,5	1	0,43	1,6	2,3	1,6
	94	14	7	3	1	128	184	202	6	3	1	0,35	1,9	2,9	1,8
	102	13	10	3	1	121	168	202	7	3	1	0,83	0,81	1,2	0,8
105	146	18	12	3	1	123	177	202	8	3	1	0,35	1,9	2,9	1,8
	70	10	7,5	2	0,6	116	143	149	6	2	0,6	0,44	1,5	2,3	1,4
	72	10	4	2,5	1	123	165	178	5	2,5	1	0,43	1,6	2,3	1,6
	100	11	7,5	2,5	1	121	161	178	6	2,5	1	0,43	1,6	2,3	1,6
110	76	10	7,5	2	0,6	123	152	159	7	2	0,6	0,43	1,6	2,3	1,6
	76	10	7,5	2	0,6	123	152	159	7	2	0,6	0,43	1,6	2,3	1,6
	112	15	7,5	2	0,6	122	155	169	9	2	0,6	0,43	1,6	2,3	1,6
	76	10	7,5	2,5	1	129	174	188	6	2,5	1	0,43	1,6	2,3	1,6
	106	11	7,5	2,5	1	127	170	188	6	2,5	1	0,43	1,6	2,3	1,6
	114	13	10	3	1	136	188	227	8	3	1	0,83	0,81	1,2	0,8
160	11	8	3	1	138	198	227	9	3	1	0,35	1,9	2,9	1,8	



8.4 Matched bearings arranged face-to-face

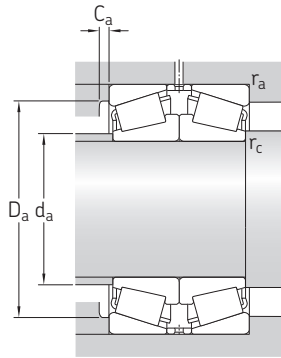
d 120 – 180 mm



Principal dimensions			Basic load ratings		Fatigue load limit	Speed ratings		Mass	Designation
d	D	T	dynamic	static		Reference speed	Limiting speed		
mm			kN		kN	r/min		kg	–
120	180	76	513	830	85	2 200	3 400	6,75	▶ 32024 X/DF 33024/DF 30224/DF
	180	96	611	1 080	112	2 200	3 400	8,6	
	215	87	716	915	98	2 000	3 000	12,5	
	215	123	983	1 400	143	2 000	3 000	18,5	▶ 32224/DF 30324/DF 31324 X/DF
	260	119	1 031	1 400	146	1 600	2 600	29	
	260	136	992	1 400	146	1 400	2 400	32,5	
	260	181	1 466	2 240	220	1 600	2 600	45	32324/DF
130	180	64	420	735	76,5	2 200	3 200	4,95	▶ 32926/DF 32226/DF 30226/DF
	230	135,5	1 012	1 660	170	1 600	2 800	23	
	230	87,5	774	980	102	1 800	2 800	14	
	280	127,5	1 165	1 600	163	1 400	2 400	35	30326/DF 31326 X/DF
	280	144	1 110	1 560	160	1 300	2 400	39,5	
140	190	64	432	780	80	2 000	3 000	5,2	▶ 32928/DF 32028 X/DF 32228/DF
	210	90	692	1 160	116	1 900	2 800	11	
	250	143,5	1 185	2 000	200	1 500	2 600	29,5	
	250	91,5	773	1 140	116	1 500	2 600	18	30228/DF 31328 X/DF
	300	154	1 264	1 800	180	1 200	2 200	49	
150	225	96	782	1 320	132	1 800	2 600	13,5	▶ 32030 X/DF 30230/DF 32230/DF
	270	98	781	1 120	114	1 400	2 400	22	
	270	154	1 341	2 280	224	1 400	2 400	37,5	
	320	144	1 507	2 120	208	1 300	2 000	52	30330/DF 31330 X/DF
	320	164	1 427	2 040	200	1 100	2 000	58,5	
160	240	102	912	1 560	153	1 600	2 400	16	▶ 32032 X/DF 30232/DF 32232/DF
	290	104	971	1 460	143	1 300	2 200	27,5	
	290	168	1 602	2 800	265	1 300	2 200	48	
170	260	114	1 071	1 830	176	1 500	2 200	21,5	▶ 32034 X/DF 30234/DF 32234/DF
	310	114	1 126	1 730	166	1 200	2 000	34,5	
	310	182	1 843	3 250	300	1 200	2 000	59,5	
180	250	90	746	1 460	137	1 500	2 200	14	▶ 32936/DF 32036 X/DF 30236/DF 32236/DF
	280	128	1 360	2 320	220	1 400	2 200	29	
	320	114	1 079	1 630	160	1 200	2 000	35,5	
	320	182	1 833	3 250	300	1 100	1 900	61	

SKF Explorer bearing

▶ Popular item

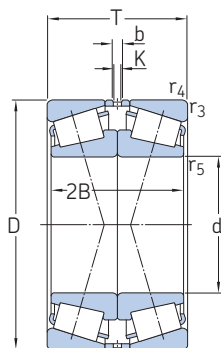


Dimensions				Abutment and fillet dimensions								Calculation factors			
d	2B	b	K	r _{3,4} min.	r ₅ min.	d _a max.	D _a min.	D _a max.	C _a min.	r _a max.	r _c max.	e	Y ₁	Y ₂	Y ₀
mm						mm						-			
120	76	10	7,5	2	0,6	132	161	169	7	2	0,6	0,46	1,5	2,2	1,4
	96	10	7,5	2	0,6	132	160	169	6	2	0,6	0,3	2,3	3,4	2,2
	80	10	7,5	2,5	1	141	187	203	6	2,5	1	0,43	1,6	2,3	1,6
	116	10	7,5	2,5	1	137	181	203	7	2,5	1	0,43	1,6	2,3	1,6
	110	15	8	3	1	153	221	246	8	3	1	0,35	1,9	2,9	1,8
	124	24	14	3	1	146	203	246	9	3	1	0,83	0,81	1,2	0,8
	172	21	7,5	3	1	148	213	246	10	3	1	0,35	1,9	2,9	1,8
130	64	6	4,5	1,5	0,6	141	167	170	6	1,5	0,6	0,33	2	3	2
	128	10	7,5	3	1	146	193	216	7	3	1	0,43	1,6	2,3	1,6
	80	10	7,5	3	1	152	203	216	6	3	1	0,43	1,6	2,3	1,6
	116	17	10	4	1,5	165	239	264	8	4	1,5	0,35	1,9	2,9	1,8
	132	20	15	4	1,5	157	218	264	8	4	1,5	0,83	0,81	1,2	0,8
140	64	9	6	1,5	0,6	151	177	180	6	1,5	0,6	0,35	1,9	2,9	1,8
	90	13	7,5	2	0,6	153	187	199	8	2	0,6	0,46	1,5	2,2	1,4
	136	10	7,5	3	1	159	210	236	8	3	1	0,43	1,6	2,3	1,6
	84	10	7,5	3	1	164	219	236	8	3	1	0,43	1,6	2,3	1,6
	140	20	15	4	1,5	169	235	284	9	4	1,5	0,83	0,81	1,2	0,8
150	96	10	7,5	2,5	1	165	200	212	8	2,5	1	0,46	1,5	2,2	1,4
	90	15	10	3	1	176	234	256	9	3	1	0,43	1,6	2,3	1,6
	146	10	7,5	3	1	171	226	256	8	3	1	0,43	1,6	2,3	1,6
	130	19	10	4	1,5	189	273	303	9	4	1,5	0,35	1,9	2,9	1,8
	150	20	15	4	1,5	181	251	304	9	4	1,5	0,83	0,81	1,2	0,8
160	102	11	9	2,5	1	176	213	227	8	2,5	1	0,46	1,5	2,2	1,4
	96	15	10	3	1	190	252	276	7	3	1	0,43	1,6	2,3	1,6
	160	10	7,5	3	1	183	242	276	10	3	1	0,43	1,6	2,3	1,6
170	114	15	10	2,5	1	188	230	247	10	2,5	1	0,44	1,5	2,3	1,4
	104	16	10	4	1,5	203	269	293	8	4	1,5	0,43	1,6	2,3	1,6
	172	15	10	4	1,5	196	259	293	10	4	1,5	0,43	1,6	2,3	1,6
180	90	10	7,5	2	0,6	194	225	238	8	2	0,6	0,48	1,4	2,1	1,4
	128	15	10	2,5	1	200	247	267	10	2,5	1	0,43	1,6	2,3	1,6
	104	15	10	4	1,5	212	278	303	8	4	1,5	0,46	1,5	2,2	1,4
	172	16	12	4	1,5	205	267	303	10	4	1,5	0,46	1,5	2,2	1,4



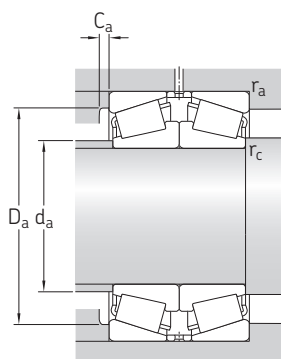
8.4 Matched bearings arranged face-to-face

d 190 – 360 mm



Principal dimensions			Basic load ratings		Fatigue load limit	Speed ratings		Mass	Designation
d	D	T	dynamic	static		Reference speed	Limiting speed		
mm			kN		kN	r/min		kg	–
190	260	90	760	1 530	143	1 400	2 200	14,5	32938/DF
	290	128	1 381	2 400	224	1 300	2 000	30,5	▶ 32038 X/DF
	290	128	1 381	2 400	224	1 300	2 000	30,5	▶ 32038 X/L4BDF
	340	120	1 308	2 000	190	1 100	1 800	42,5	30238/DF
200	310	140	1 372	2 750	255	1 100	1 900	39	▶ 32040 X/DF
	360	128	1 448	2 240	212	1 000	1 700	52	30240/DF
	360	208	2 229	4 000	360	1 000	1 700	88	▶ 32240/DF
220	300	102	1 030	2 000	183	1 200	1 900	21	32944/DF
	340	152	1 637	3 350	300	1 000	1 700	51	▶ 32044 X/DF
	400	144	1 816	2 800	255	950	1 600	72	30244/DF
	400	228	2 949	5 400	465	900	1 500	124	▶ 32244/DF
240	320	102	1 069	2 160	193	1 200	1 700	22,5	32948/DF
	360	152	1 695	3 550	315	950	1 600	54,5	▶ 32048 X/DF
	440	254	3 300	6 550	550	1 000	1 500	172	32248/DF
260	400	174	2 127	4 400	380	850	1 400	79	▶ 32052 X/DF
	480	274	4 013	7 350	600	750	1 200	213	32252/DF
280	420	174	2 208	4 750	400	800	1 300	84	▶ 32056 X/DF
	500	274	2 410	7 800	620	700	1 200	226	32256/DF
300	460	200	2 818	6 000	490	750	1 200	119	32060 X/DF
	540	280	2 935	9 500	735	630	1 100	290	32260/DF
320	440	152	1 982	4 650	390	750	1 200	69	32964/DF
	480	200	2 852	6 200	500	700	1 100	104	32064 X/DF
340	460	152	1 995	4 800	390	700	1 200	73	32968/DF
360	480	152	2 043	5 100	405	670	1 100	302	32972/DF

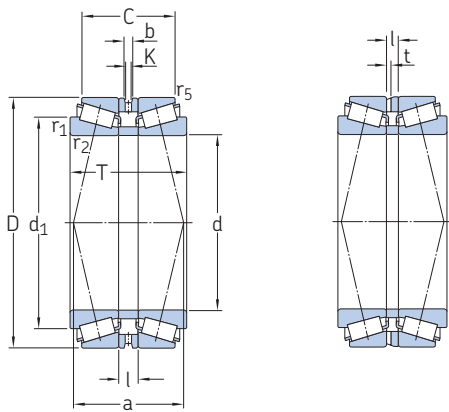
8.4



Dimensions				Abutment and fillet dimensions								Calculation factors			
d	2B	b	K	r _{3,4} min.	r ₅ min.	d _a max.	D _a min.	D _a max.	C _a min.	r _a max.	r _c max.	e	Y ₁	Y ₂	Y ₀
mm						mm						-			
190	90	10	7,5	2	0,6	205	235	248	8	2	0,6	0,48	1,4	2,1	1,4
	128	15	10	2,5	1	210	257	276	10	2,5	1	0,44	1,5	2,3	1,4
	128	15	10	2,5	1	210	257	276	10	2,5	1	0,44	1,5	2,3	1,4
	110	16	10	4	1,5	225	298	323	8	4	1,5	0,43	1,6	2,3	1,6
200	140	15	10	2,5	1	222	273	296	11	2,5	1	0,43	1,6	2,3	1,6
	116	19	12	4	1,5	237	315	343	9	4	1,5	0,43	1,6	2,3	1,6
	196	15	10	4	1	231	302	343	11	4	1	0,4	1,7	2,5	1,6
220	102	10	7,5	2,5	1	235	275	286	9	2,5	1	0,43	1,6	2,3	1,6
	152	20	15	3	1	244	300	325	12	3	1	0,43	1,6	2,3	1,6
	130	15	10	4	1,5	259	348	382	10	4	1,5	0,43	1,6	2,3	1,6
	216	25	18	4	1,5	253	334	382	13	4	1,5	0,43	1,6	2,3	1,6
240	102	12	7,5	2,5	1	255	294	306	9	2,5	1	0,46	1,5	2,2	1,4
	152	20	15	3	1	262	318	345	12	3	1	0,46	1,5	2,2	1,4
	240	20	16	4	1,5	276	365	420	7	3	1,5	0,43	1,6	2,3	1,6
260	174	25	15	4	1,5	288	352	382	14	4	1,5	0,43	1,6	2,3	1,6
	260	35	16	5	1,5	303	401	458	10	1,5	1,5	0,43	1,6	2,3	1,6
280	174	20	15	4	1,5	306	370	402	14	4	1,5	0,46	1,5	2,2	1,4
	260	20	16	5	1,5	319	418	478	10	4	1,5	0,44	1,5	2,3	1,4
300	200	20	12	4	1,5	330	404	440	10	1,5	1,5	0,43	1,6	2,3	1,6
	298	36	18	5	1,5	343	453	518	10	4	1,5	0,43	1,6	2,3	1,6
320	152	17	15	3	1	343	402	424	9	1	1	0,43	1,6	2,3	1,6
	200	20	16	4	1,5	350	424	460	15	1,5	1,5	0,46	1,5	2,2	1,4
340	152	18	16	3	1	361	421	444	10	1	1	0,44	1,5	2,3	1,4
360	152	22	16	3	1	380	439	464	10	2,5	1	0,46	1,5	2,2	1,4

8.5 Matched bearings arranged back-to-back

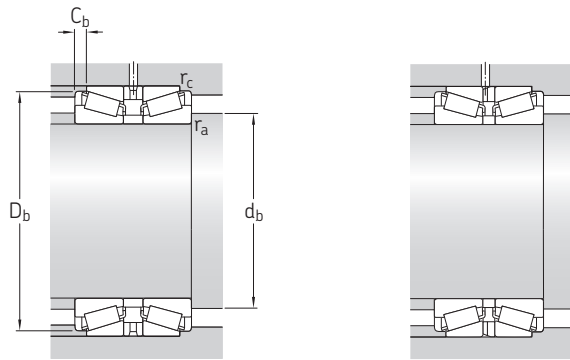
d 35 – 90 mm



$l \geq 7 \text{ mm}$

$l < 7 \text{ mm}$

Principal dimensions			Basic load ratings		Fatigue load limit	Speed ratings		Mass	Designation
d	D	T	dynamic	static	P_u	Reference speed	Limiting speed		
mm			kN		kN	r/min		kg	–
35	72	64	178	212	23,6	6 300	9 500	1,15	33207T64/DB
40	68	41,5	111	143	15,3	6 300	9 500	0,58	32008T41.5 X/DB
	90	72	182	190	21,6	5 300	8 000	1,9	30308T72/DB
45	100	62,5	194	204	24,5	4 000	6 700	2,1	31309T62.5/DB
50	80	50	129	176	19,3	5 300	8 000	0,86	32010T50 X/DB
	90	67,5	173	200	22,8	4 800	7 500	1,5	32210T67.5/DB
55	90	59	191	270	30,5	4 500	7 000	1,4	33011T59/DB
	95	88	232	310	35,5	4 500	6 700	2,1	33111T88/DB
60	95	65	173	245	27	4 300	6 700	1,45	32012T65 X/DB
	110	53	207	228	26,5	4 000	6 000	1,9	30212T53/DB
65	100	53	176	255	28	4 000	6 000	1,35	32013T53 X/DB
	100	60	204	310	34,5	4 000	6 300	1,6	33013T60/DB
	140	82	411	455	55	3 200	4 800	5,3	30313T82/DB
70	110	63	214	305	34,5	3 800	5 600	1,9	32014T63 X/DB
	110	108,8	273	400	45,5	3 800	5 600	3,05	33014T108.8/DB
	125	59	267	310	36	3 400	5 300	2,7	30214T59/DB
	150	84	465	520	62	3 000	4 500	6,3	30314T84/DB
75	130	70	293	355	41,5	3 400	5 000	3,2	30215T70/DB
	130	78	337	425	49	3 200	5 000	3,7	32215T78/DB
80	140	78	391	490	57	3 000	4 500	4,4	32216T78/DB
85	130	66	293	450	51	3 200	4 800	2,85	32017T66 X/DB
	150	87	451	570	65,5	2 800	4 300	5,65	32217T87/DB
	150	145	606	850	96,5	2 800	4 300	9	33217T145/DB
	180	132	858	1 060	120	2 600	3 800	14,5	32317T132/DB
	180	133,19	510	570	64	2 200	3 800	12	31317T133.19/DB
90	150	104	532	780	85	2 800	4 300	6,7	33118T104/DB

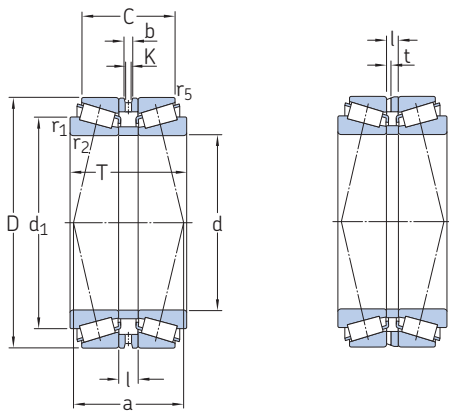


Dimensions										Abutment and fillet dimensions					Calculation factors			
d	d ₁ ≈	C	l	b	K	t	r _{1,2} min.	r ₅ min.	a	d _b min.	D _b min.	C _b min.	r _a max.	r _c max.	e	Y ₁	Y ₂	Y ₀
mm										mm					–			
35	53,4	52	8	4	1,5	–	1,5	0,6	44	43,5	68	43,5	1,5	0,6	0,35	1,9	2,9	1,8
40	54,7	32,5	3,5	–	–	1,5	1	0,3	33	47,5	65	47,5	1	0,3	0,37	1,8	2,7	1,8
	62,5	61,5	21,5	9	6	–	2	0,6	60	49,5	82	49,5	2	0,6	0,35	1,9	2,9	1,8
45	74,7	44	8	5	3	–	2	0,6	70	55	95	55	2	0,6	0,83	0,81	1,2	0,8
50	65,9	41	10	6	4	–	1	0,3	45	58	77	57,5	1	0,3	0,43	1,6	2,3	1,6
	68,6	56	18	10	2	–	1,5	0,6	60	59	85	59	1,5	0,6	0,43	1,6	2,3	1,6
55	73,1	47	5	–	–	2	1,5	0,6	43	64	86	64	1,5	0,6	0,31	2,2	3,3	2,2
	75,1	74	28	16	8	–	1,5	0,6	72	64	91	64	1,5	0,6	0,37	1,8	2,7	1,8
60	77,8	54	19	7	4,5	–	1,5	0,6	60	69	91	69	1,5	0,6	0,43	1,6	2,3	1,6
	80,9	43,5	5,5	–	–	2	2	0,6	49	70	103	70	2	0,6	0,4	1,7	2,5	1,6
65	83,3	42	7	4	3	–	1,5	0,6	51	74	97	74	1,5	0,6	0,46	1,5	2,2	1,4
	82,6	48	6	–	–	2	1,5	0,6	48	74	96	74	1,5	0,6	0,35	1,9	2,9	1,8
	98,7	66	10	4	2	–	3	1	65	78	130	78	3	1	0,35	1,9	2,9	1,8
70	89,9	51	13	3	2	–	1,5	0,6	60	80	105	79,5	1,5	0,6	0,43	1,6	2,3	1,6
	88,9	97,8	46,8	10	4,5	–	1,5	0,6	92	80	105	79,5	1,5	0,6	0,28	2,4	3,6	2,5
	94	48,5	6,5	–	–	2	2	0,6	57	81	118	80,5	2	0,6	0,43	1,6	2,3	1,6
	105	68	8	4	3	–	3	1	66	83	140	83	3	1	0,35	1,9	2,9	1,8
75	99,8	59,5	15,5	8,6	5	–	2	0,6	69	86	124	85,5	2	0,6	0,43	1,6	2,3	1,6
	100	65,5	11,5	7	2	–	2	0,6	70	86	125	85,5	2	0,6	0,43	1,6	2,3	1,6
80	106	63,5	7,5	4	3	–	2,5	0,6	68	92	134	92	2,5	0,6	0,43	1,6	2,3	1,6
85	108	52	8	4	3	–	1,5	0,6	64	95	125	95	1,5	0,6	0,44	1,5	2,3	1,4
	113	70	10	6	3	–	2,5	0,6	76	97	142	97	2,5	0,6	0,43	1,6	2,3	1,6
	117	121	47	26	14	–	2,5	0,6	120	97	144	97	2,5	0,6	0,43	1,6	2,3	1,6
	127	103	5	–	–	3	4	1	88	101	167	101	4	1	0,35	1,9	2,9	1,8
	131	100,19	44,19	15	10	–	4	1	152	101	169	101	4	1	0,83	0,81	1,2	0,8
90	120	84	14	8	4	–	2,5	0,6	83	102	144	102	2,5	0,6	0,4	1,7	2,5	1,6



8.5 Matched bearings arranged back-to-back

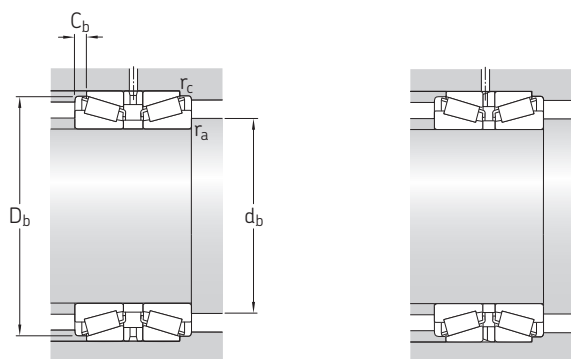
d 95 – 160 mm



$l \geq 7 \text{ mm}$

$l < 7 \text{ mm}$

Principal dimensions			Basic load ratings		Fatigue load limit	Speed ratings		Mass	Designation
d	D	T	dynamic	static	P_u	Reference speed	Limiting speed		
mm			kN		kN	r/min		kg	–
95	170	105	597	780	86,5	2 600	3 800	9	32219T105/DB
100	150	88	477	765	83	2 800	4 000	5	33020T88/DB
	180	100	521	640	72	2 400	3 600	8,85	30220T100/DB
	180	107	668	880	96,5	2 400	3 600	10,5	32220T107/DB
105	180	135	912	1 320	140	2 400	3 600	14	33220T135/DB
	215	125	685	930	102	1 700	3 000	19	31320T125 X/DB
105	190	88	571	710	80	2 200	3 400	9,35	30221T88/DB
110	170	84	494	780	80	2 400	3 600	6,5	32022T84 X/DB
	200	122	842	1 140	122	2 200	3 200	15	32222T122/DB
	240	140	841	1 160	122	1 500	2 800	26	31322T140 X/DB
120	215	133	716	915	98	2 000	3 000	16	30224T133/DB
130	180	76	420	735	76,5	2 200	3 200	5,25	32926T76/DB
	200	102	666	1 080	110	2 000	3 000	10,5	32026T102 X/DB
	230	142	1 012	1 660	170	1 600	2 800	23	32226T142/DB
130	280	142	1 165	1 600	163	1 400	2 400	36,5	30326T142/DB
	280	164	1 110	1 560	160	1 300	2 400	41	31326T164 X/DB
140	210	130	692	1 160	116	1 900	2 800	13	32028T130 X/DB
	250	102	773	1 140	116	1 500	2 600	18,5	30228T102/DB
	250	106	773	1 140	116	1 500	2 600	19	30228T106/DB
140	250	158	1 185	2 000	200	1 500	2 600	30	32228T158/DB
	300	170	1 264	1 800	180	1 200	2 200	49	31328T170 X/DB
150	225	112	782	1 320	132	1 800	2 600	14	32030T112 X/DB
	225	132	836	1 730	170	1 700	2 600	17	33030T132/DB
	270	164	1 341	2 280	224	1 400	2 400	37,5	32230T164/DB
150	270	168	781	1 120	114	1 400	2 400	32	30230T168/DB
	320	179	1 427	2 040	200	1 100	2 000	58,5	31330T179 X/DB
160	290	114	971	1 460	143	1 300	2 200	28	30232T114/DB
	290	179	1 602	2 800	265	1 300	2 200	49	32232T179/DB

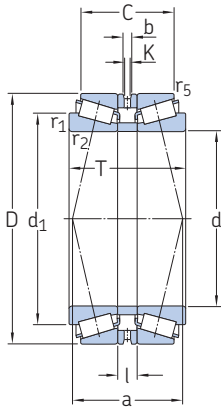


Dimensions										Abutment and fillet dimensions					Calculation factors			
d	d ₁ ≈	C	l	b	K	t	r _{1,2} min.	r ₅ min.	a	d _b min.	D _b min.	C _b min.	r _a max.	r _c max.	e	Y ₁	Y ₂	Y ₀
mm										mm					-			
95	128	88	14	4,5	3	-	3	1	91	109	161	109	3	1	0,43	1,6	2,3	1,6
100	122	75	10	6	3	-	2	0,6	68	111	143	111	2	0,6	0,28	2,4	3,6	2,5
	134	84	26	9	3	-	3	1	97	114	168	114	3	1	0,43	1,6	2,3	1,6
	136	87	9	4	3	-	3	1	91	114	171	114	3	1	0,43	1,6	2,3	1,6
	139	105	9	4	3	-	3	1	99	114	172	114	3	1	0,4	1,7	2,5	1,6
	158	82	12	7	3	-	4	1	142	116	202	116	4	1	0,83	0,81	1,2	0,8
105	143	70	10	5	2	-	3	1	85	119	177	119	3	1	0,43	1,6	2,3	1,6
110	140	66	8	4,5	3	-	2,5	0,6	80	123	163	123	2,5	0,6	0,43	1,6	2,3	1,6
	151	102	10	5	3	-	3	1	103	124	190	124	3	1	0,43	1,6	2,3	1,6
	176	90	14	8	6	-	4	1	159	127	224	127	4	1	0,83	0,81	1,2	0,8
120	161	114	46	10	7,5	-	3	1	131	134	201	134	3	1	0,43	1,6	2,3	1,6
130	153	62	12	7	3	-	2	0,6	75	142	173	142	2	0,6	0,33	2	3	2
	165	80	12	8	6	-	2,5	0,6	98	143	192	143	2,5	0,6	0,43	1,6	2,3	1,6
	176	114,5	6,5	-	-	3	4	1	118	147	219	147	4	1	0,43	1,6	2,3	1,6
	192	112,5	14,5	6	3	-	5	1,5	116	149	255	149	5	1,5	0,35	1,9	2,9	1,8
	204	108	20	8	6	-	5	1,5	188	149	261	149	5	1,5	0,83	0,81	1,2	0,8
140	175	108	40	10,7	6	-	2,5	0,6	131	154	202	154	2,5	0,6	0,46	1,5	2,2	1,4
	187	82,5	10,5	5,5	4	-	4	1	105	157	234	157	4	1	0,43	1,6	2,3	1,6
	187	86,5	14,5	5,5	4	-	4	1	109	157	234	157	4	1	0,43	1,6	2,3	1,6
	191	130,5	14,5	4	3	-	4	1	134	157	238	157	4	1	0,43	1,6	2,3	1,6
	220	110	16	7,5	6	-	5	1,5	196	160	280	160	5	1,5	0,83	0,81	1,2	0,8
150	187	88	16	4	3	-	3	1	114	165	216	165	3	1	0,46	1,5	2,2	1,4
	188	106	14	8	3	-	3	1	110	165	217	165	3	1	0,37	1,8	2,7	1,8
	205	130	10	5	2	-	4	1	138	167	254	167	4	1	0,43	1,6	2,3	1,6
	200	146	70	6	4,5	-	4	1	171	167	250	167	4	1	0,43	1,6	2,3	1,6
	234	115	15	8	6	-	5	1,5	207	170	300	170	5	1,5	0,83	0,81	1,2	0,8
160	215	90	10	4,5	3	-	4	1	118	177	269	177	4	1	0,43	1,6	2,3	1,6
	222	145	11	6	4,5	-	4	1	150	178	274	178	4	1	0,43	1,6	2,3	1,6



8.5 Matched bearings arranged back-to-back

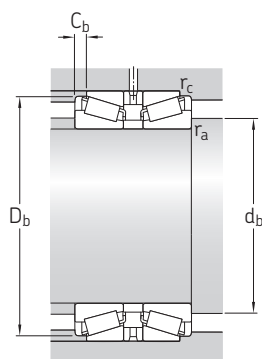
d 170 – 320 mm



Principal dimensions			Basic load ratings		Fatigue load limit	Speed ratings		Mass	Designation
d	D	T	dynamic	static		Reference speed	Limiting speed		
mm			kN		kN	r/min		kg	–
170	310	194	1 843	3 250	300	1 200	2 000	60	32234T194/DB
180	250	103	746	1 460	137	1 500	2 200	14,5	32936T103/DB
	280	138	1 360	2 320	220	1 400	2 200	29,5	32036T138 X/DB
	320	192	1 833	3 250	300	1 100	1 900	61	32236T192/DB
190	260	102	760	1 530	143	1 400	2 200	15	32938T102/DB
	340	136	1 308	2 000	190	1 100	1 800	44,5	30238T136/DB
200	360	288	2 229	4 000	360	1 000	1 700	105	32240T228/DB
220	340	164	1 637	3 350	300	1 000	1 700	51,5	32044T164 X/DB
	400	248	2 949	5 400	465	900	1 500	126	32244T248/DB
240	320	114	1 069	2 160	193	1 200	1 700	23,5	32948T114/DB
	360	164	1 695	3 550	315	950	1 600	54,5	32048T164 X/DB
260	400	189	2 127	4 400	380	850	1 400	79,5	32052T189 X/DB
280	380	170	1 629	3 350	285	950	1 400	47,5	32956T170/DB
320	480	220	2 852	6 200	500	700	1 100	128	32064T220 X/DB

8.5



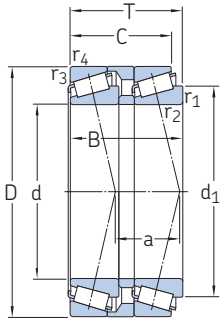


Dimensions										Abutment and fillet dimensions					Calculation factors			
d	d ₁ ≈	C	l	b	K	t	r _{1,2} min.	r ₅ min.	a	d _b min.	D _b min.	C _b min.	r _a max.	r _c max.	e	Y ₁	Y ₂	Y ₀
mm										mm					-			
170	238	154	12	6	4,5	-	5	1,5	162	190	294	190	5	1,5	0,43	1,6	2,3	1,6
180	216	81	13	7,5	5	-	2,5	0,6	120	194	241	194	2,5	0,6	0,48	1,4	2,1	1,4
	230	106	10	4	3	-	3	1	128	196	267	196	3	1	0,43	1,6	2,3	1,6
	247	152	10	5	2	-	5	1,5	165	200	303	200	5	1,5	0,46	1,5	2,2	1,4
190	227	80	12	6,5	5	-	2,5	0,6	122	204	251	204	2,5	0,6	0,48	1,4	2,1	1,4
	254	108	16	9	4,5	-	5	1,5	142	210	318	210	5	1,5	0,43	1,6	2,3	1,6
200	274	244	80	13,5	8	-	4	1	245	218	340	218	4	1	0,4	1,7	2,5	1,6
220	280	126	12	6,4	5	-	4	1	156	238	326	238	4	1	0,43	1,6	2,3	1,6
	306	200	20	8	5	-	5	1,5	210	241	379	241	5	1,5	0,43	1,6	2,3	1,6
240	280	90	12	7	4,5	-	3	1	140	256	311	256	3	1	0,46	1,5	2,2	1,4
	300	126	12	6	4,5	-	4	1	167	259	346	259	4	1	0,46	1,5	2,2	1,4
260	328	145	15	9	6	-	5	1,5	183	281	383	281	5	1,5	0,43	1,6	2,3	1,6
280	329	139	43	20	10	-	3	1	191	297	368	297	3	1	0,43	1,6	2,3	1,6
320	399	168	20	10	6	-	5	1,5	226	342	461	26	4	5	0,46	1,5	2,2	1,4



8.6 Matched bearings arranged in tandem

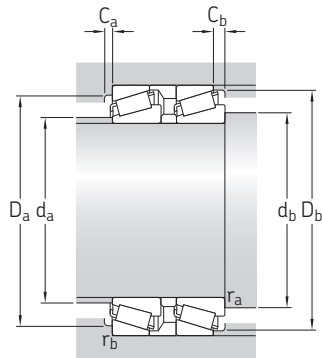
d 45 – 80 mm



Principal dimensions			Basic load ratings		Fatigue load limit	Speed ratings		Mass	Designation
d	D	T	dynamic	static		Reference speed	Limiting speed		
mm			kN		kN	r/min		kg	–
45	95	62	189	224	25,5	4 000	7 000	2,05	T7FC 045T62/DTC10
50	105	69	229	275	31,5	3 600	6 300	2,75	T7FC 050T69/DTC10
55	115	73	266	325	39	3 400	5 600	3,5	T7FC 055T73/DTC10
60	125	80	325	405	49	3 000	5 300	4,55	T7FC 060T80/DTC15
65	130	80	332	430	51	3 000	5 000	4,8	T7FC 065T80/DTC15
80	160	98	480	630	71	2 400	4 000	8,8	T7FC 080T98/DTC20

8.6





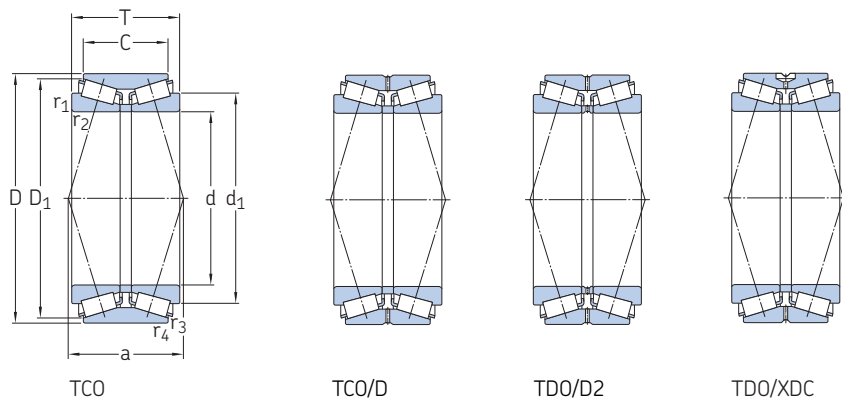
Dimensions							Abutment and fillet dimensions							Calculation factors					
d	d_1 ≈	B	C	$r_{1,2}$ min.	$r_{3,4}$ min.	a	d_a max.	d_b min.	D_a min.	D_a max.	D_b min.	C_a min.	C_b min.	r_a max.	r_b max.	e	Y	Y_0	
mm							mm							–					
45	73,4	59,5	53	2,5	2,5	33	54	56	71	85	91	3	9	2,5	2,5	0,88	0,68	0,4	
50	81,3	66	59	3	3	37	60	62	78	94	100	4	10	3	3	0,88	0,68	0,4	
55	89,5	70	62,5	3	3	39	66	68	86	104	109	4	10,5	3	3	0,88	0,68	0,4	
60	97,2	76,5	69	3	3	43	72	73	94	113	119	4	11	3	3	0,83	0,72	0,4	
65	102	76,5	69	3	3	43	77	78	98	118	124	4	11	3	3	0,88	0,68	0,4	
80	125	94	84	3	3	53	94	94	121	148	152	5	14	3	3	0,88	0,68	0,4	



8.7 Double row tapered roller bearings, TDO design

d 101,6 – 355,6 mm

4 – 14 in.



Principal dimensions				Basic load ratings		Fatigue load limit	Mass	Designation	Design variant/feature
d	D	T	C	C	C ₀				
mm/in.				kN		kN	kg	–	–
101,6 4	146,05 5.75	49,212 1.9375	38,94 1.5331	267	375	40,5	2,45	BT2B 332767 A	TDO/D
155 6.1024	200 7.874	66 2.5984	54 2.126	312	620	60	4,85	BT2B 328957	TDO/D
228,6 9	488,95 19.25	254 10	152,4 6	3 143	4 500	390	205	331945	TDO/D
254 10	422,275 16.625	173,038 6.8125	128,66 5.0654	2 393	4 050	355	87,5	BT2B 328615	TDO/D
	422,275 16.625	178,592 7.0312	139,7 5.5	2 393	4 050	355	97,5	BT2B 331782	TDO/D
260 10.2362	440 17.3228	144 5.6693	128 5.0394	1 994	3 450	305	86,5	617479 B	TDO/XDC
	480 18.8976	284 11.1811	220 8.6614	4 330	7 350	600	210	BT2B 328130	TDO
300 11.811	500 19.6851	203 7.9921	152 5.9843	2 992	5 100	425	140	BT2B 328383/HA1	TDO/D2
300,038 11.8125	422,275 16.625	174,625 6.875	136,525 5.375	2 177	4 750	400	71,5	BT2B 332504/HA2	TDO/XDC
317,5 12.5	447,675 17.625	180,975 7.125	146,05 5.75	2 521	5 400	440	84	BT2B 332516 A/HA1	TDO/XDC
330,2 13	482,6 19	177,8 7	127 5	1 293	5 000	415	100	BT2B 332845/HA2	TDO/D
333,375 13.125	469,9 18.5	190,5 7.5	152,4 6	2 642	5 700	465	98	331775 B	TDO/XDC
340 13.3858	460 18.1102	160 6.2992	128 5.0394	2 196	4 900	400	71	BT2B 332830	TDO/D
342,9 13.5	533,4 21	174,625 6.875	123,825 4.875	2 540	4 400	365	130	BT2B 332802 A	TDO/D
346,075 13.625	488,95 19.25	200,025 7.875	158,75 6.25	2 835	6 300	510	110	331981	TDO/D
355,6 14	444,5 17.5	136,525 5.375	111,125 4.375	1 353	3 650	300	46	BT2B 332505/HA2	TDO/XDC
	501,65 19.75	155,575 6.125	107,95 4.25	1 976	4 250	345	87	BT2B 332506/HA2	TDO/D



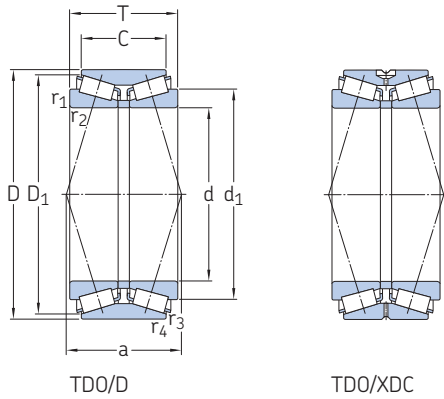
Dimensions			Calculation factors							Comparative data ¹⁾		Thrust factor K
d	d ₁ ≈	D ₁ ≈	r _{1,2} min.	r _{3,4} min.	a	e	Y ₁	Y ₂	Y ₀	Load ratings radial C _F	axial C _{Fa}	
mm/in.	mm					–				kN		–
101,6 4	106	142	1,5	0,8	54	0,37	1,8	2,7	1,8	71	25,2	1,61
155 6.1024	161	189	1,5	0,6	75	0,35	1,9	2,9	1,8	83	28,9	1,66
228,6 9	400	456	6,4	1,5	326	0,94	0,72	1,07	0,7	780	726	0,62
254 10	331	400	6,8	1,5	153	0,33	2	3	2	585	193	1,76
	331	400	6,8	1,5	158	0,33	2	3	2	585	193	1,76
260 10.2362	341	406	5	1,5	156	0,37	1,8	2,7	1,8	490	179	1,56
	366	454	5	1,5	233	0,43	1,6	2,3	1,6	1 080	456	1,36
300 11.811	387	465	5	1,5	205	0,4	1,7	2,5	1,6	735	297	1,43
300,038 11.8125	357	403	6,4	1,5	162	0,33	2	3	2	540	176	1,73
317,5 12.5	376	428	3,5	1,5	170	0,33	2	3	2	620	204	1,74
330,2 13	401	454	3,3	1,5	184	0,4	1,7	2,5	1,6	585	225	1,49
333,375 13.125	398	452	6,4	1,5	180	0,33	2	3	2	655	217	1,73
340 13.3858	394	442	3	1	161	0,31	2,2	3,3	2,2	540	167	1,86
342,9 13.5	422	496	4,8	1,5	180	0,33	2	3	2	620	202	1,76
346,075 13.625	413	467	6,4	1,5	186	0,33	2	3	2	695	230	1,74
355,6 14	398	428	3,5	1,5	151	0,31	2,2	3,3	2,2	325	100	1,9
	431	481	6,4	1,5	197	0,44	1,5	2,3	1,4	480	207	1,33

¹⁾ For additional information → Comparative load ratings for double row tapered roller bearings, page 685

8.7 Double row tapered roller bearings, TDO design

d 360 – 431,8 mm

14.1732 – 17 in.



Principal dimensions				Basic load ratings		Fatigue load limit	Mass	Designation	Design variant/feature
d	D	T	C	dynamic	static				
mm/in.				C	C ₀	P _u	kg	–	–
360 14.1732	480 18.8976	160 6.2992	128 5.0394	2 211	5 000	405	73	BT2B 332831	TDO/D
368,249 14.498	523,875 20.625	214,312 8.4375	169,862 6.6875	3 380	7 500	585	140	BT2B 332603/HA1	TDO/D
368,3 14.5	596,9 23.5	203,2 8	133,35 5.25	3 270	5 850	465	188	BT2B 332754	TDO/XDC
371,475 14.625	501,65 19.75	155,575 6.125	107,95 4.25	1 976	4 250	345	76,5	331606 A	TDO/XDC
380 14.9606	520 20.4725	148 5.8268	112 4.4095	2 289	4 500	365	80	BT2B 328020	TDO/D
384,175 15.125	546,1 21.5	222,25 8.75	177,8 7	3 724	8 300	640	161	331197 A	TDO/D
406,4 16	539,75 21.25	142,875 5.625	101,6 4	1 817	4 400	345	82,5	BT2B 328389	TDO/XDC
415,925 16.375	590,55 23.25	244,475 9.625	193,675 7.625	4 175	9 650	720	205	331656	TDO/XDC
431,8 17	571,5 22.5	155,575 6.125	111,125 4.375	1 145	5 100	405	100	BT2B 332604/HA1	TDO/D
	571,5 22.5	192,088 7.5625	146,05 5.75	2 847	6 950	530	127	BT2B 332237 A/HA1	TDO/XDC



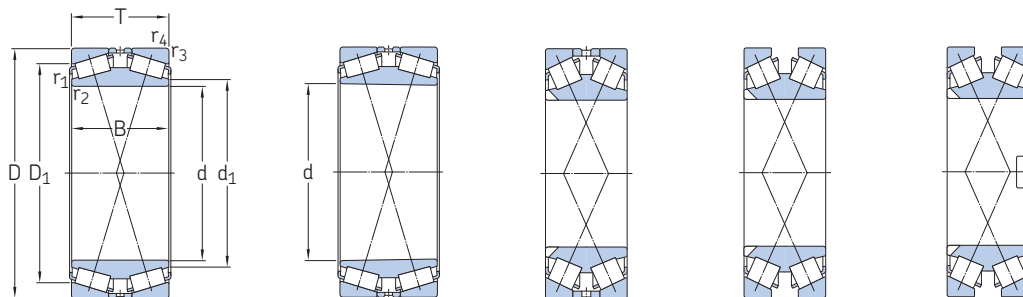
Dimensions			Calculation factors							Comparative data ¹⁾		Thrust factor K
d	d ₁ ≈	D ₁ ≈	r _{1,2} min.	r _{3,4} min.	a	e	Y ₁	Y ₂	Y ₀	Load ratings radial C _F	axial C _{Fa}	
mm/in.	mm					–				kN		–
360 14.1732	414	462	3	1	169	0,33	2	3	2	540	175	1,77
368,249 14.498	438	499	6,4	1,5	196	0,33	2	3	2	830	273	1,76
368,3 14.5	469	552	9,7	2,3	220	0,4	1,7	2,5	1,6	800	330	1,41
371,475 14.625	431	481	6,4	1,5	198	0,44	1,5	2,3	1,4	480	207	1,33
380 14.9606	438	497	4	1,5	162	0,3	2,3	3,4	2,2	560	167	1,92
384,175 15.125	457	521	6,4	0,6	205	0,33	2	3	2	915	301	1,76
406,4 16	473	516	6,4	1,5	215	0,48	1,4	2,1	1,4	440	207	1,23
415,925 16.375	497	563	6,4	1,5	225	0,33	2	3	2	1 040	332	1,76
431,8 17	500	547	3,3	1,5	254	0,54	1,25	1,8	1,3	510	280	1,07
	500	550	6,4	1,5	234	0,44	1,5	2,3	1,4	695	301	1,33

¹⁾ For additional information → Comparative load ratings for double row tapered roller bearings, page 685

8.8 Double row tapered roller bearings, TDI design

d 203,2 – 343,052 mm

8 – 13.506 in.



TDI

TDIT

TDIS/N

TDIS/NY

TDIS/N2Y

Principal dimensions				Basic load ratings		Fatigue load limit	Mass	Designation	Design variant/feature
d	D	T	B	C	C ₀	P _u			
mm/in.				kN		kN	kg	–	–
203,2 8	368,3 14.5	158,75 6.25	152,4 6.25	1 985	3 350	305	75	BT2B 332683/HA1	TDI/WIY2
240 9.4488	480 18.8976	220 8.6614	200 7.874	3 615	5 500	465	183	BT2B 332931	TDI/WIY2
254 10	438,15 17.25	165,1 6.5	165,1 6.5	2 685	4 250	365	100	BT2B 332536/HA1	TDI/WIY2
300 11.811	440 17.3228	105 4.1339	105 4.1339	1 076	2 040	180	48,5	332168	TDIS/NY
300,038 11.8125	422,275 16.625	150,812 5.9375	150,812 5.9375	2 177	4 750	400	70	331951	TDI/GWIY2
303,212 11.9375	495,3 19.5	263,525 10.375	263,525 10.375	4 919	9 800	750	212	BT2B 332685/HA1	TDIT/Y2
305,033 12.0092	560 22.0473	199,263 7.874	200 7.874	1 677	5 300	430	205	BT2B 334087/HA3	TDIS/N2Y
	560 22.0473	200 7.845	200 7.874	1 677	5 300	430	200	332068	TDIS/N2Y
305,07 12.0106	500 19.6851	200 7.874	200 7.874	2 734	5 200	425	150	332169 A	TDIS/N
	500 22.0473	200 7.844	200 7.844	2 734	5 200	425	150	332169 AA	TDIS/NY
	560 19.6851	199,237 7.874	199,237 7.874	3 102	5 300	430	200	331617	TDIS/N2Y
317,5 12.5	422,275 16.625	128,588 5.0625	128,588 5.0625	1 785	4 150	345	51,5	BT2B 328699 G/HA1	TDI/GWIY2
333,375 13.125	469,9 18.5	166,688 6.5625	166,688 6.5625	2 642	5 700	465	92,5	BT2B 328695 A/HA1	TDIT/Y2
342,9 13.5	533,4 21	139,7 5.5	146,05 5.75	1 373	4 400	365	115	331713 A	TDI/WIY2
	533,4 21	139,7 5.5	146,05 5.75	1 373	4 400	365	115	331713 B	TDI/GWIY2
343,052 13.506	457,098 17.996	122,238 4.8125	122,238 4.8125	1 610	3 400	280	54	332240 A	TDI/GWIY2

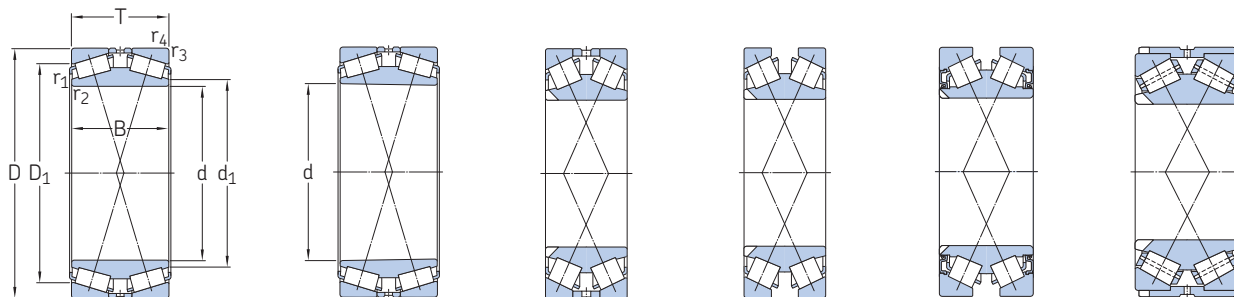


Dimensions		Calculation factors							Comparative data ¹⁾		Thrust factor K
d	d ₁ ≈	D ₁ ≈	r _{1,2} min.	r _{3,4} min	e	Y ₁	Y ₂	Y ₀	Load ratings radial C _F	axial C _{Fa}	
mm/in.	mm				–				kN		
203,2 8	237	310	3,3	3,3	0,4	1,7	2,5	1,6	490	193	1,45
240 9.4488	284	377	2,5	5	0,72	0,94	1,4	0,9	900	634	0,82
254 10	295	380	3,3	6,4	0,35	1,9	2,9	1,8	670	233	1,63
300 11.811	340	377	4	4	0,88	0,77	1,15	0,8	260	224	0,67
300,038 11.8125	327	375	3,3	3,3	0,33	2	3	2	540	176	1,73
303,212 11.9375	338	417	3,3	6,4	0,33	2	3	2	1 220	403	1,76
305,033 12.0092	355	450	3,3	6,4	0,88	0,77	1,15	0,8	765	657	0,67
	369	446	3,3	6	0,88	0,77	1,15	0,8	765	657	0,67
305,07 12.0106	352	405	6,4	4,8	0,88	0,77	1,15	0,8	680	582	0,67
	352	405	6,4	4,8	0,88	0,77	1,15	0,8	680	582	0,67
	369	446	3,3	18	0,88	0,77	1,15	0,8	765	657	0,67
317,5 12.5	341	382	1,5	3,3	0,31	2,2	3,3	2,2	440	137	1,83
333,375 13.125	364	419	3,3	3,3	0,33	2	3	2	655	217	1,73
342,9 13.5	393	474	3,3	3,3	0,33	2	3	2	620	202	1,76
	393	474	3,3	3,3	0,33	2	3	2	620	202	1,76
343,052 13.506	369	410	1,5	3,3	0,48	1,4	2,1	1,4	390	184	1,24

¹⁾ For additional information → Comparative load ratings for double row tapered roller bearings, page 685

8.8 Double row tapered roller bearings, TDI design

d 346,075 – 408,4 mm
13.625 – 16.0787 in.



TDI

TDIT

TDIS/N

TDIS/NY

TDIS/NVY

TDIS.2/N

Principal dimensions				Basic load ratings		Fatigue load limit	Mass	Designation	Design variant/ feature
d	D	T	B	C	C ₀	P _u			
mm/in.				kN		kN	kg	–	–
346,075 13.625	488,95	104,775	95,25	675	2 750	228	62	BT2B 332913/HB1	TDI/Y2
	19,25	4,125	3,75						
	488,95	174,625	174,625	2 835	6 300	510	110	331527 C	TDI/WIY2
	19,25	6,875	6,875						
	488,95	174,625	174,625	2 835	6 300	510	113	BT2B 328410 C/HA1	TDIT/Y2
	19,25	6,875	6,875						
360 14.1732	560	160	160	2 556	4 650	390	140	BT2-8000/HA3	TDIS/N
	22.0473	6.2992	6.2992						
368,3 14.5	523,875	185,738	185,738	3 380	7 500	585	133	BT2B 331836	TDI/Y2
	20,625	7,3125	7,3125						
	523,875	185,738	185,738	3 380	7 500	585	140	BT2B 332468 A/HA1	TDIT/Y2
	20,625	7,3125	7,3125						
380 14.9606	560	200	200	1 617	6 550	520	165	BT2-8009/HA3	TDIS/NY
	22.0473	7.874	7.874						
384,175 15.125	546,1	193,675	193,675	3 724	8 300	640	152	331158 A	TDI/GWIY2
	21,5	7,625	7,625						
	546,1	193,675	193,675	3 724	8 300	640	152	BT2B 331837	TDI/Y2
	21,5	7,625	7,625						
	546,1	193,675	193,675	3 724	8 300	640	166	BT2B 328580/HA1	TDIT/Y2
	21,5	7,625	7,625						
386 15.1969	574	220	220	2 967	6 550	510	185	BT2-8010/HA3VA901	TDIS/NVY
	22.5984	8.6614	8.6614						
390 15.3543	546,1	141,288	141,288	2 339	5 100	405	102	BT2B 328705/HA1	TDI/Y2
	22,441	7,874	7,874						
	570	200	200	2 967	6 550	510	170	BT2B 328896/HA3	TDIS/NY
	21,5	5,5625	5,5625						
	590	200	200	2 967	6 550	510	200	BT2B 328934/HA3	TDIS.2/N
	23.2284	7.874	7.874						
406,4 16	546,1	138,113	138,113	2 339	5 100	405	89	BT2B 331840 C/HA1	TDI/WIY2
	21,5	5,4375	5,4375						
408,4 16.0787	546,1	120	98	1 603	3 450	285	76,5	BT2B 328874/HA1	TDI/Y2
	21,5	4,7244	3,8583						
	546,1	150	125	1 963	4 750	375	99	BT2B 328466/HA1	TDI/Y2
	21,5	5,9055	4,9213						

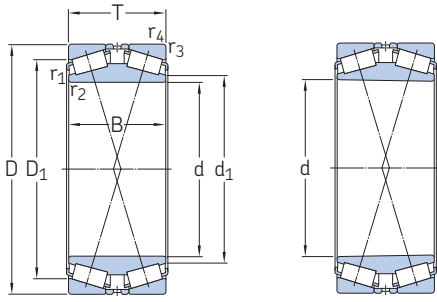


Dimensions		Calculation factors							Comparative data ¹⁾		Thrust factor K
d	d ₁ ≈	D ₁ ≈	r _{1,2} min.	r _{3,4} min.	e	Y ₁	Y ₂	Y ₀	Load ratings radial C _F	axial C _{Fa}	
mm/in.	mm				–				kN		
346,075 13.625	391	429	1,5	6,4	0,5	1,35	2	1,3	300	148	1,17
	378	434	3,3	3,3	0,33	2	3	2	695	230	1,74
	378	434	3,3	3,3	0,33	2	3	2	695	230	1,74
360 14.1732	400	480	3	5	0,72	0,94	1,4	0,9	630	450	0,8
368,3 14.5	401	464	3,3	6,4	0,33	2	3	2	830	273	1,76
	401	464	3,3	6,4	0,33	2	3	2	830	273	1,76
380 14.9606	420	474	5	5	0,79	0,85	1,25	0,8	735	582	0,73
384,175 15.125	417	484	3,3	6,4	0,33	2	3	2	915	301	1,76
	417	484	3,3	6,4	0,33	2	3	2	915	301	1,76
	417	484	3,3	6,4	0,33	2	3	2	915	301	1,76
386 15.1969	416	498	3	5	0,83	0,81	1,2	0,8	735	599	0,71
390 15.3543	435	491	3,3	6,4	0,48	1,4	2,1	1,4	570	264	1,23
	426	475	5	5	0,83	0,81	1,2	0,8	735	599	0,71
	426	474	5	5	0,83	0,81	1,2	0,8	735	599	0,71
406,4 16	435	491	1,5	6,4	0,48	1,4	2,1	1,4	570	264	1,23
408,4 16.0787	442	480	1	3	0,88	0,77	1,15	0,8	390	329	0,68
	437	470	1,5	3,3	0,83	0,81	1,2	0,8	480	387	0,71

¹⁾ For additional information → Comparative load ratings for double row tapered roller bearings, page 685

8.8 Double row tapered roller bearings, TDI design

d 409,575 – 450 mm
16.125 – 17.7165 in.



TDI

TDIT

Principal dimensions				Basic load ratings		Fatigue load limit	Mass	Designation	Design variant/feature
d	D	T	B	C	C ₀				
mm/in.				kN		kN	kg	–	–
409,575 16.125	546,1 21.5	161,925 6.375	161,925 6.375	2 669	6 550	500	110	331714 B	TDI/GWIY2
415,925 16.375	590,55 23.25	209,55 8.25	209,55 8.25	4 175	9 650	720	192	331445	TDI/GWIY2
	590,55 23.25	209,55 8.25	209,55 8.25	4 175	9 650	720	192	BT2B 328283/HA1	TDIT/Y2
430 16.9291	535 21.063	84 3.3071	84 3.3071	1 080	3 000	240	44,5	BT2B 334013/HA1	TDI/Y2
450 17.7165	595 23.4252	178 7.0079	178 7.0079	3 169	8 150	610	140	BT2B 328523/HA1	TDI/WIY2

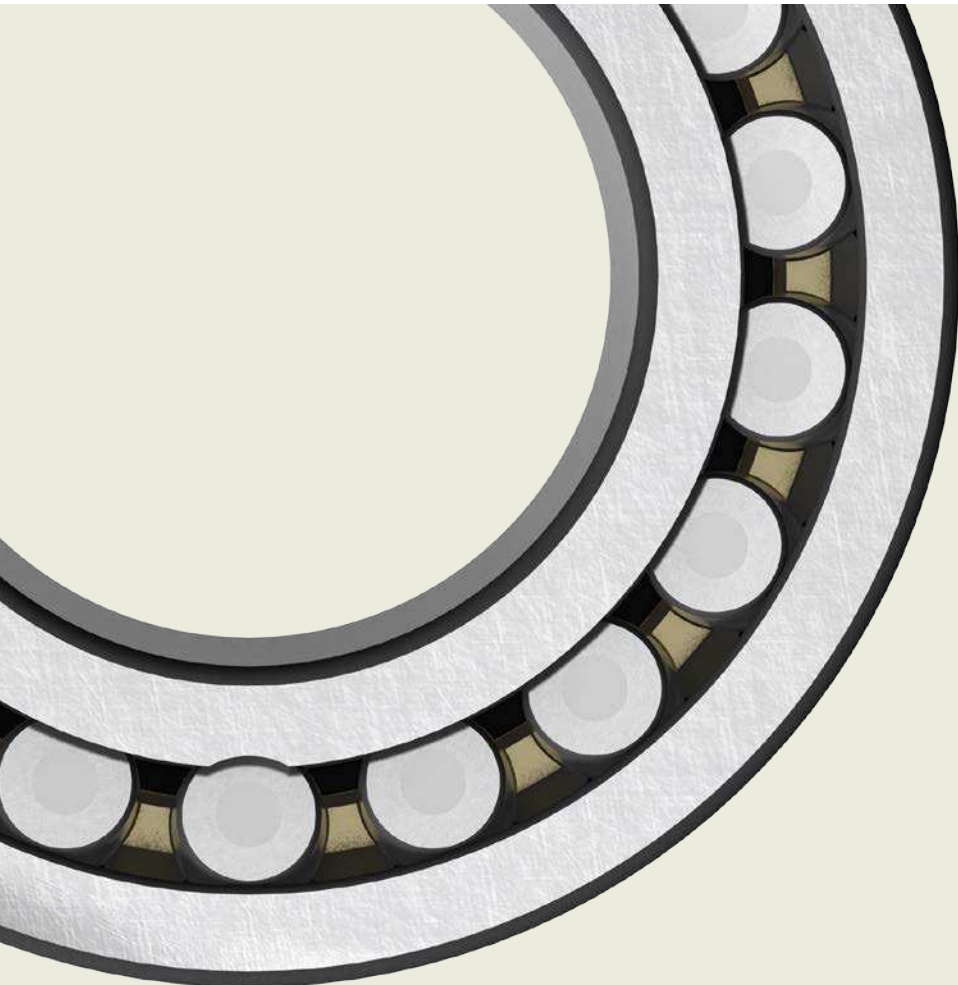
Dimensions		Calculation factors							Comparative data ¹⁾		Thrust factor K
d	d ₁ ≈	D ₁ ≈	r _{1,2} min.	r _{3,4} min	e	Y ₁	Y ₂	Y ₀	Load ratings radial C _F	axial C _{Fa}	
mm/in.	mm				–				kN		
409,575 16.125	439	496	1,5	6,4	0,43	1,6	2,3	1,6	655	268	1,4
415,925 16.375	454	523	3,3	6,4	0,33	2	3	2	1 040	332	1,76
	455	523	3,3	6,4	0,33	2	3	2	1 040	332	1,76
430 16.9291	462	494	1	3	0,54	1,25	1,8	1,3	260	142	1,06
450 17.7165	488	540	3	6	0,33	2	3	2	780	256	1,76



¹⁾ For additional information → Comparative load ratings for double row tapered roller bearings, page 685



Spherical roller bearings



9 Spherical roller bearings

Designs and variants	775	
CC, CA and E design bearings	775	
Sealed bearings	776	
Bearings for vibratory applications	778	
Bearings for wind energy applications	780	
Customized bearings	780	
Bearings for high-speed applications	780	
Bearing data	781	
(Dimension standards, tolerances, internal clearance, permissible misalignment)		
Loads	784	
(Minimum load, axial load carrying capacity, equivalent dynamic bearing load, equivalent static bearing load)		
Temperature limits	785	
Permissible speed	785	
Design considerations	786	
Free space on both sides of the bearing	786	
Abutments for sealed bearings	786	
Bearings on sleeves	787	
Appropriate bearing housings	788	
Mounting	788	
Designation system	790	
Product tables		
9.1 Spherical roller bearings	792	
9.2 Spherical roller bearings on an adapter sleeve	824	Other spherical roller bearings
9.3 Spherical roller bearings on a withdrawal sleeve ..	832	NoWear coated bearings
		1059



9 Spherical roller bearings

More information

General bearing knowledge	17
Bearing selection process	59
Lubrication	109
Bearing interfaces	139
Seat tolerances for standard conditions	148
Selecting internal clearance	182
Sealing, mounting and dismounting	193

Mounting instructions for individual bearings → skf.com/mount

SKF Drive-up Method → skf.com/drive-up

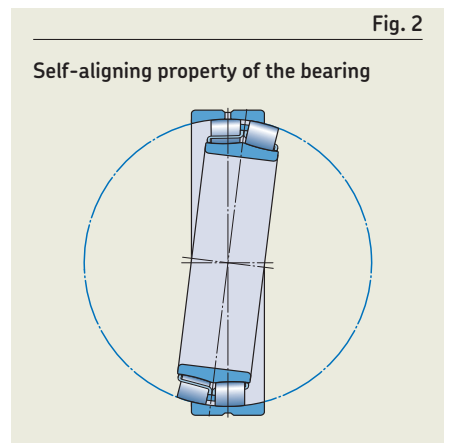
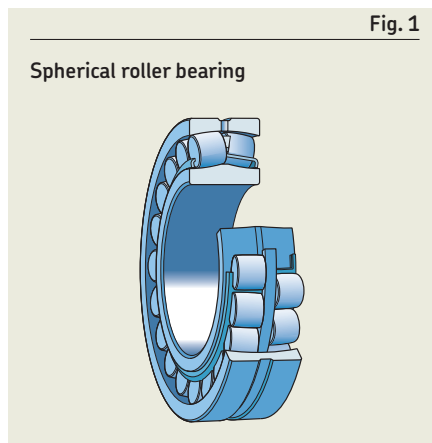
SKF bearing maintenance handbook ISBN 978-91-978966-4-1

Spherical roller bearings have two rows of symmetrical rollers, a common sphered outer ring raceway and two inner ring raceways inclined at an angle to the bearing axis (fig. 1). The centre point of the sphere in the outer ring raceway is at the bearing axis.

Bearing features

- **Accommodate misalignment**
Spherical roller bearings are self-aligning like self-aligning ball bearings or CARB bearings (fig. 2).
- **High load carrying capacity**
Spherical roller bearings are designed to accommodate both heavy radial loads and axial loads in both directions.

- **Long service life**
The rollers are manufactured to such tight dimensional and geometrical tolerances that they are practically identical in a roller set. The symmetrical rollers self-adjust (fig. 3), providing optimal load distribution along the roller length and together with the special profile prevent stress peaks at the roller ends (fig. 4).
- **Low friction**
Self-guiding rollers keep friction and frictional heat at low levels (fig. 5). A floating guide ring guides unloaded rollers so that they enter the load zone in the optimal position.
- **Robust**
All SKF spherical roller bearings contain strong window- or prong-type cages.



Designs and variants

SKF standard assortment

The assortment of SKF spherical roller bearings is the widest available on the market. The standard assortment includes:

- CC, CA and E design bearings
- sealed bearings
- bearings for vibratory applications
- bearings for wind energy applications

All SKF spherical roller bearings are SKF Explorer bearings (page 7) and almost all bearings are available with the option of a tapered bore. Depending on the bearing series, the tapered bore has:

- a taper 1:12 (designation suffix K)
- a taper 1:30 (designation suffix K30)

For sizes and variants not listed in the product tables, contact SKF.

CC, CA and E design bearings

CC design bearings

- have two stamped window-type steel cages, an inner ring without flanges and a floating guide ring centred on the inner ring (fig. 6)
- are indicated in the product table by the designation suffix C or CC
- are indicated in the product table by the designation suffix EC or ECC for larger bearings and have an optimized internal design for increased load carrying capacity

CA design bearings

- have a machined double prong-type brass cage, an inner ring with a retaining flange on both sides and a floating guide ring centred on the inner ring (fig. 6)
- The flanges on the inner ring are designed to keep the rollers in place when swivelling the bearing during mounting or maintenance and are not designed to guide the rollers or accommodate any axial load.

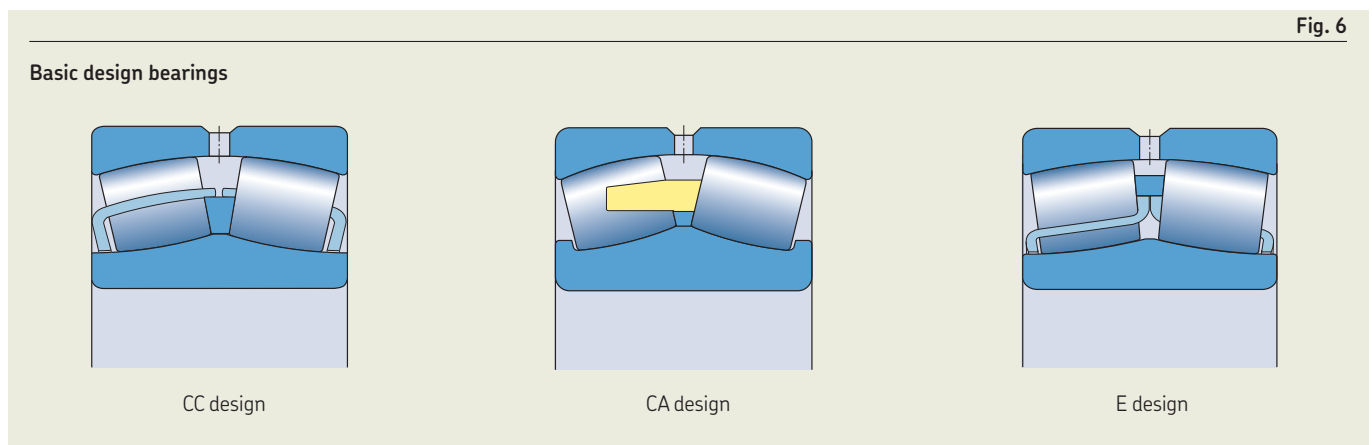
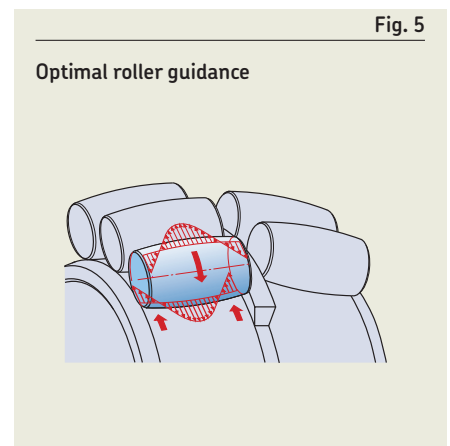
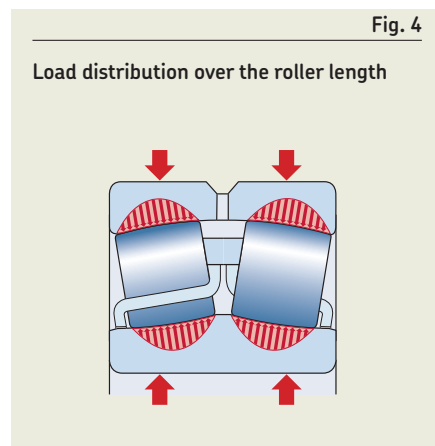
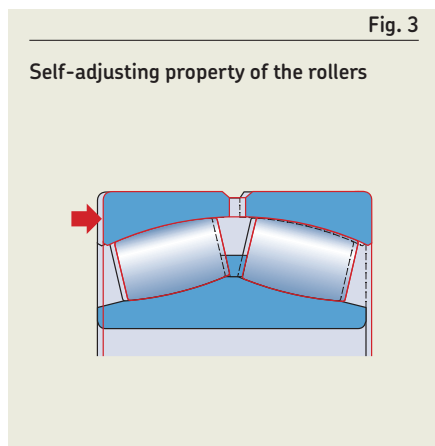
- are indicated in the product table by the designation suffix CA
- are indicated in the product table by the designation suffix ECA for larger bearings and have an optimized internal design for increased load carrying capacity

E design bearings

- have two stamped window-type steel cages, an inner ring without flanges and a floating guide ring centred on the inner ring ($d \leq 65$ mm) or on the cages ($d > 65$ mm) (fig. 6)
- are indicated in the product table by the designation suffix E
- have an optimized internal design for increased load carrying capacity

Cages

For information about the suitability of cages, refer to *Cages*, page 187.



9 Spherical roller bearings

Annular groove and lubrication holes

- CC and CA design bearings are available with an annular groove and three lubrication holes in the outer ring (designation suffix W33) or three lubrication holes in the outer ring (designation suffix W20) (fig. 7).
- E design bearings have an annular groove and three lubrication holes as standard (fig. 6, page 775). This feature is not identified in the bearing designation (no designation suffix).

Sealed bearings

- have the same features and internal design as open spherical roller bearings
- are available with a cylindrical bore as standard
- are supplied grease lubricated and should not be washed
- are equipped with an annular groove and three lubrication holes in the outer ring, except for those with the designation suffix W
- are fitted with a contact seal, on one or both sides, made of one of the following materials:
 - sheet steel reinforced NBR (designation suffix CS or RS)
 - sheet steel reinforced HNBR (designation suffix CS5 or RS5)
 - sheet steel reinforced FKM (designation suffix CS2)

The seals are fitted in a recess on the outer ring and seal against the inner ring (fig. 8). On larger bearings, the seals are fixed by a retaining ring (fig. 9).

Bearings sealed on both sides are lubricated for the life of the bearing and are virtually maintenance-free (*Grease life for sealed bearings*). They are filled with one of the following greases (table 1):

- SKF LGEP 2 grease (designation suffix VT143) as standard
- SKF LGHB 2 grease (designation suffix GEM9) or LGWM 2 grease (designation suffix GLE) on request

For additional information about greases, refer to *Selecting a suitable SKF grease*, page 116.

Grease life for sealed bearings

The grease life for sealed bearings is presented as L_{10} , i.e. the time period at the end of which 90% of the bearings are still reliably lubricated, and depends on the load, operating temperature and speed value. It can be obtained for bearings with standard SKF LGEP 2 grease (designation suffix VT143) from:

- diagram 1, for light load ($P \leq 0,067 C$)
- diagram 2, page 778, for normal load ($P \leq 0,125 C$)

The grease life is valid under the following operating conditions:

- horizontal shaft
- inner ring rotation
- operating temperature within the green temperature zone of the grease (table 1)
- stationary machine
- low vibration levels
- load ratio $F_a/F_r \leq e$ (product table, page 792)
- rotational speed below the limiting speed (product table) and below the limits listed in table 2, page 778

For other operating conditions, the grease life can be estimated by multiplying the relubrication interval for open bearings (*Estimating the relubrication interval for grease*, page 111) by a factor of 2,7.

Fig. 7

Annular groove and lubrication holes

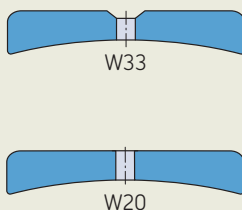


Fig. 8

Seals fitted in outer ring recess

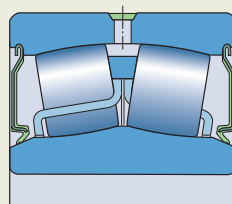
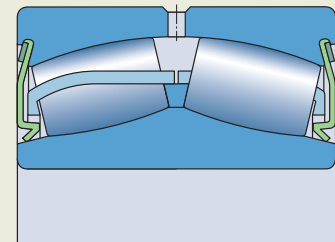


Fig. 9

Seals fixed by a retaining ring



Relubrication of sealed bearings

When the required service life is longer than the grease life, the bearings may require relubrication. A suitable grease quantity to relubricate sealed bearings can be obtained using

$$G_p = 0,0015 D B$$

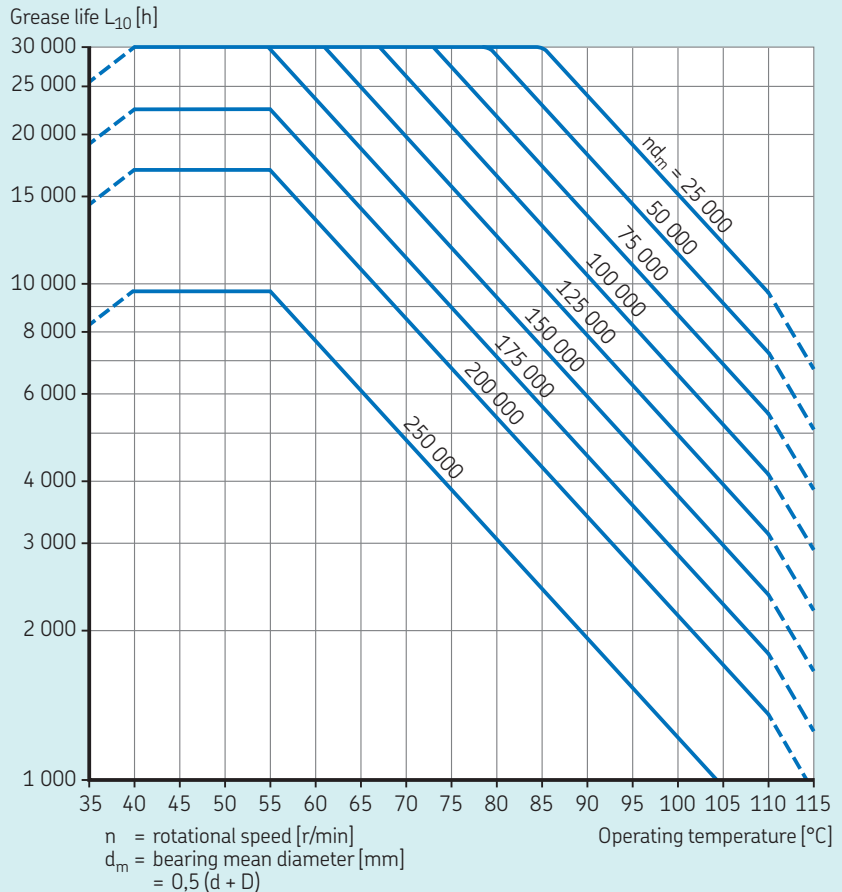
where

- G_p = grease quantity [g]
- D = bearing outside diameter [mm]
- B = bearing width [mm]

The grease should be applied slowly through the lubrication holes in the outer ring, preferably while the bearing is rotating to avoid damaging the seals. SKF recommends relubricating with the same grease as the initial fill.

Diagram 1

Grease life for sealed spherical roller bearings with designation suffix VT143 where $P \leq 0,067 C$



⚠ WARNING

Seals made of FKM (fluoro rubber) exposed to an open flame or temperatures above 300 °C (570 °F) are a health and environmental hazard! They remain dangerous even after they have cooled.

Read and follow the safety precautions on [page 197](#).

Table 1

Technical specifications of SKF greases for sealed spherical roller bearings

Designation suffix	Grease	Temperature range ¹⁾							Thickener	Base oil type	NLGI grade	Base oil viscosity [mm ² /s]	
		-50	0	50	100	150	200	250				at 40 °C (105 °F)	at 100 °C (210 °F)
VT143	LGEP 2	[Color scale: -50 to 250 °C]							Lithium soap	Mineral	2	200	16
GEM9	LGHB 2	[Color scale: -50 to 250 °C]							Calcium complex sulphonate	Mineral	2	400	26,5
GLE	LGWM 2	[Color scale: -50 to 250 °C]							Calcium complex sulphonate	Mineral/Synthetic	2	80	8,6

-60 30 120 210 300 390 480 °F

¹⁾ Refer to the SKF traffic light concept ([page 117](#)).



Bearings for vibratory applications

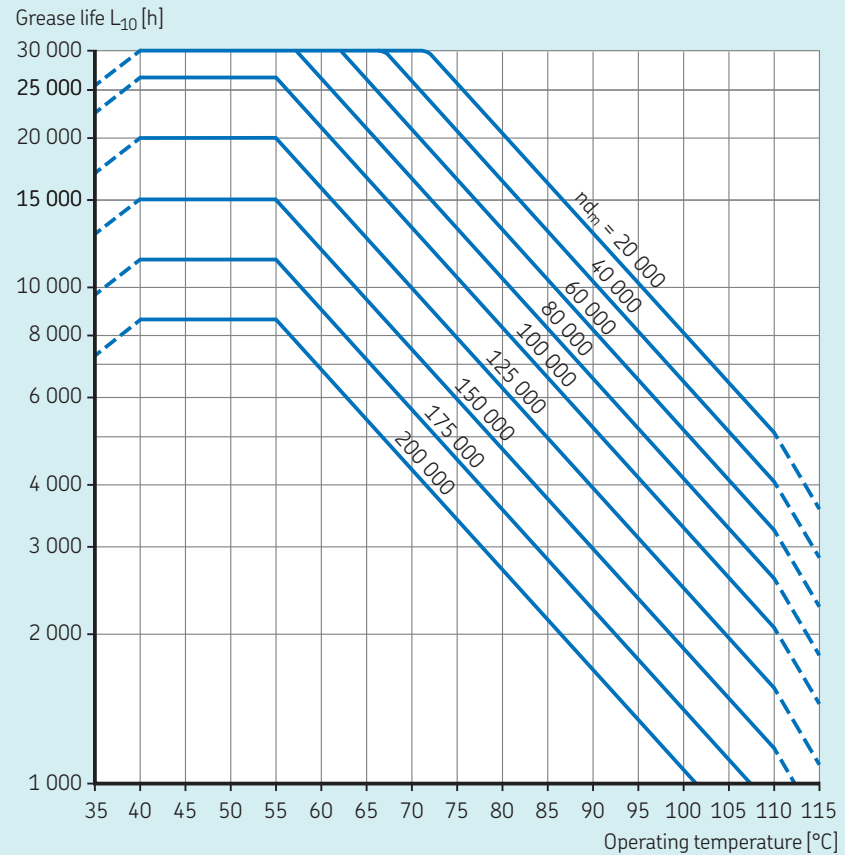
- are available in the 223 series
- are available with a cylindrical or tapered bore
- have C4 radial internal clearance as standard
- are equipped with an annular groove and three lubrication holes in the outer ring
- are available with a PTFE coated cylindrical bore (designation suffix VA406), which prevents fretting corrosion between the shaft and the bearing bore, for shaft thermal elongation in non-locating bearing positions that have a rotating outer ring load

Therefore, shafts do not require special heat treatments or coatings.

- are manufactured to one of the following designs (fig. 10):
 - E/VA405 bearings have two surface-hardened stamped window-type steel cages, an inner ring without flanges and a guide ring centred on the inner ring or on the cages.
 - EJA/VA405 and CCJA/W33VA405 bearings have two surface-hardened stamped window-type steel cages, an inner ring without flanges and a guide ring centred on the outer ring raceway.

Diagram 2

Grease life for sealed spherical roller bearings with designation suffix VT143 where $P \leq 0,125 C$



n = rotational speed [r/min]
 d_m = bearing mean diameter [mm]
 $= 0,5 (d + D)$

Table 2

Speed limits for grease life calculation for sealed spherical roller bearings

Bearing series	Maximum nd_m value	
	Light load ($P \leq 0,067 C$)	Normal load ($P \leq 0,125 C$)
–	mm/min	
222, 239	250 000	200 000
223, 230, 231, 232, 240	250 000	150 000
241	150 000	80 000

Acceleration

Vibratory applications induce accelerations of the rollers and cages in the bearings. This puts extra demands on the bearing design. SKF spherical roller bearings for vibratory applications can withstand considerably higher accelerations than corresponding standard bearings. The permissible acceleration depends on the lubricant and the mode of acceleration.

- **Mode 1**

The bearing is subjected to a rotating outer ring load in combination with a rotating acceleration field, or an internally induced angular acceleration field caused by rapid speed variations. These accelerations cause the unloaded rollers to generate cyclic loads on the cages. Examples: vibrating screens (fig. 11), exciters, planetary gears and general arrangements subjected to rapid starts or rapid speed variations.

- **Mode 2**

The bearing is subjected to impact loads, which generate a linear acceleration in a constant radial direction, causing the unloaded rollers to “hammer” the cage pockets. Example: acceleration generated when rail wheels roll over rail joints (fig. 12).

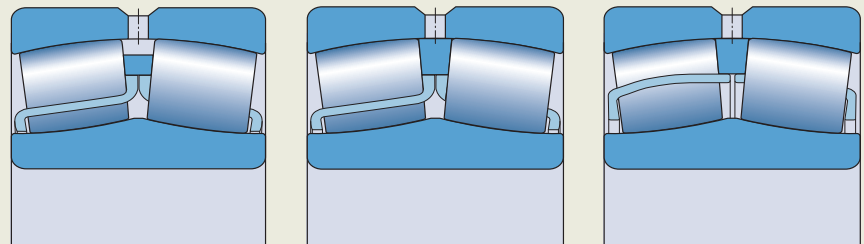
Road rollers, where the roller is vibrating against a relatively hard surface, are subjected to a combination of mode 1 and 2 acceleration. Values for the permissible acceleration are listed in the [product table, page 792](#), and are valid for oil lubricated bearings. The values are expressed in multiples of g, where g is the acceleration of gravity ($g = 9,81 \text{ m/s}^2$).

System solutions for vibrating screens

In addition to single bearings for vibrating screens, SKF has developed fault detection and bearing arrangements that can improve performance, reduce maintenance and monitor machine condition in vibratory equipment.

Fig. 10

Bearings for vibratory applications



E/VA405 design

EJA/VA405 design

CCJA/W33VA405 design

⚠ WARNING

PTFE coatings exposed to an open flame or temperatures above 300 °C (570 °F) are a health and environmental hazard! They remain dangerous even after they have cooled.

Read and follow the safety precautions on [page 197](#).

Fig. 11

Vibrating screen

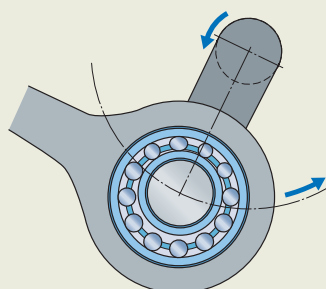
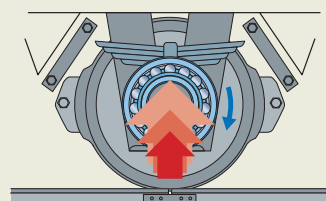


Fig. 12

Rail wheel rolls over rail joints



Bearings for wind energy applications

- are available in the 240 series, from $d \geq 530$ mm
- are designed explicitly for wind turbine main shafts
- have an optimized internal geometry with large diameter rollers and increased contact angle for increased axial load carrying capacity (fig. 13)
- have a roller-guided cast iron cage for increased robustness
- have no guide ring
- have a wide outer ring lubrication groove and six lubrication holes
- are indicated in the [product table](#), [page 792](#), by the designation suffix BC

Customized bearings

SKF can customize bearings to meet the needs of applications where the bearings are subjected to unique operating conditions. For example, bearings for:

- printing presses, paper mills or high-precision coating systems
- very arduous operating conditions, e.g. continuous casters
- bearings for high-speed applications
- mounting with loose fit on roll necks
- railway vehicles

Bearings for high-speed applications

- have 50% higher limiting speeds than standard bearings
- are available in the 223, 232, 240 and 241 series in a special execution
- are identified by the designation suffix VA991
- address a market need in multi-megawatt industrial gearboxes

For additional information about application-specific spherical roller bearings, contact SKF.

Fig. 13

Bearing for wind turbine main shaft

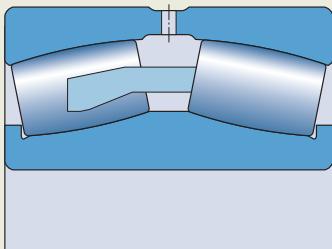


Fig. 14

Rotating shaft deflection

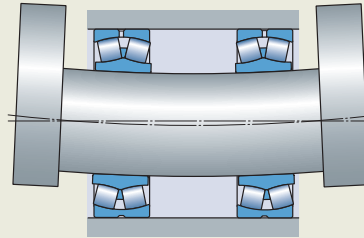


Table 3

Width tolerances for SKF Explorer spherical roller bearings

Bore diameter		Width tolerances	
d		$t_{\Delta Bs}$	L
>	≤	U	
mm		μm	
18	80	0	-60
80	250	0	-80
250	300	0	-100

Table 6

Permissible angular misalignment

Bearing series	Permissible angular misalignment
Sizes	

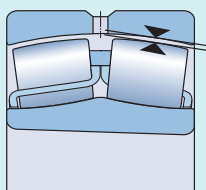
-	°
Series 213	2
Series 222 Sizes < 52 Sizes ≥ 52	2 1,5
Series 223	3
Series 230 Sizes < 56 Sizes ≥ 56	2 2,5
Series 231 Sizes < 60 Sizes ≥ 60	2 3
Series 232 Sizes < 52 Sizes ≥ 52	2,5 3,5
Series 238	1,5
Series 239	1,5
Series 240	2
Series 241 Sizes < 64 Sizes ≥ 64	2,5 3,5
Series 248	1,5
Series 249	2,5

Bearing data

Dimension standards	Boundary dimensions: ISO 15, except for the width of sealed bearings with a BS2- designation prefix
Tolerances For additional information → page 35	Normal P5 geometrical tolerance on request (designation suffix C08) Except for: <ul style="list-style-type: none"> • Bearings with $d \leq 300$ mm: <ul style="list-style-type: none"> – width tolerance at least 50% tighter than ISO standard (table 3) – P5 geometrical tolerance • Bearings for vibratory applications: <ul style="list-style-type: none"> – P5 bore diameter – P6 outside diameter Values: ISO 492, (table 2, page 38 , to table 4, page 40)
Internal clearance For additional information → page 182	Normal, C3 Check availability of C2, C4 or C5 clearance classes Bearings for vibratory applications: C4 Values: <ul style="list-style-type: none"> • cylindrical bore (table 4, page 782) • tapered bore (table 5, page 783) Values are in accordance with ISO 5753-1 (as far as standardized) and are valid for unmounted bearings under zero measuring load.
Permissible misalignment	<ul style="list-style-type: none"> • Guideline values for light to normal loads ($P \leq 0,1 C$) and constant position of misalignment relative to the outer ring: table 6 Whether these values can be fully exploited depends on the design of the bearing arrangement, the bearing abutments in the housing, etc. • When the position of the misalignment is not constant relative to the outer ring, additional sliding may occur in the bearing, limiting misalignment to a few tenths of a degree. Examples are: <ul style="list-style-type: none"> – vibrating screens with rotating imbalance and therefore rotating deflection of the shaft (fig. 14) – deflection-compensating rolls of paper machines where the stationary shaft is not straight • To avoid detrimental effects on sealing performance, misalignment for sealed bearings should not exceed $0,5^\circ$.



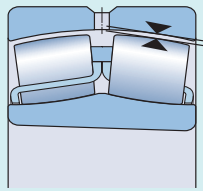
Radial internal clearance of spherical roller bearings with a cylindrical bore



Bore diameter		Radial internal clearance									
d		C2		Normal		C3		C4		C5	
>	≤	min.	max.	min.	max.	min.	max.	min.	max.	min.	max.
mm		μm									
18	24	10	20	20	35	35	45	45	60	60	75
24	30	15	25	25	40	40	55	55	75	75	95
30	40	15	30	30	45	45	60	60	80	80	100
40	50	20	35	35	55	55	75	75	100	100	125
50	65	20	40	40	65	65	90	90	120	120	150
65	80	30	50	50	80	80	110	110	145	145	185
80	100	35	60	60	100	100	135	135	180	180	225
100	100	40	75	75	120	120	160	160	210	210	260
120	140	50	95	95	145	145	190	190	240	240	300
140	160	60	110	110	170	170	220	220	280	280	350
160	180	65	120	120	180	180	240	240	310	310	390
180	200	70	130	130	200	200	260	260	340	340	430
200	225	80	140	140	220	220	290	290	380	380	470
225	250	90	150	150	240	240	320	320	420	420	520
250	280	100	170	170	260	260	350	350	460	460	570
280	315	110	190	190	280	280	370	370	500	500	630
315	355	120	200	200	310	310	410	410	550	550	690
355	400	130	220	220	340	340	450	450	600	600	750
400	450	140	240	240	370	370	500	500	660	660	820
450	500	140	260	260	410	410	550	550	720	720	900
500	560	150	280	280	440	440	600	600	780	780	1 000
560	630	170	310	310	480	480	650	650	850	850	1 100
630	710	190	350	350	530	530	700	700	920	920	1 190
710	800	210	390	390	580	580	770	770	1 010	1 010	1 300
800	900	230	430	430	650	650	860	860	1 120	1 120	1 440
900	1 000	260	480	480	710	710	930	930	1 220	1 220	1 570
1 000	1 120	290	530	530	780	780	1 020	1 020	1 330	1 330	1 720
1 120	1 250	320	580	580	860	860	1 120	1 120	1 460	1 460	1 870
1 250	1 400	350	640	640	950	950	1 240	1 240	1 620	1 620	2 060
1 400	1 600	400	720	720	1 060	1 060	1 380	1 380	1 800	1 800	2 300
1 600	1 800	450	810	810	1 180	1 180	1 550	1 550	2 000	2 000	2 550

Table 5

Radial internal clearance of spherical roller bearings with a tapered bore



Bore diameter		Radial internal clearance									
d		C2		Normal		C3		C4		C5	
>	≤	min.	max.	min.	max.	min.	max.	min.	max.	min.	max.
mm		μm									
24	30	20	30	30	40	40	55	55	75	–	–
30	40	25	35	35	50	50	65	65	85	85	105
40	50	30	45	45	60	60	80	80	100	100	130
50	65	40	55	55	75	75	95	95	120	120	160
65	80	50	70	70	95	95	120	120	150	150	200
80	100	55	80	80	110	110	140	140	180	180	230
100	120	65	100	100	135	135	170	170	220	220	280
120	140	80	120	120	160	160	200	200	260	260	330
140	160	90	130	130	180	180	230	230	300	300	380
160	180	100	140	140	200	200	260	260	340	340	430
180	200	110	160	160	220	220	290	290	370	370	470
200	225	120	180	180	250	250	320	320	410	410	520
225	250	140	200	200	270	270	350	350	450	450	570
250	280	150	220	220	300	300	390	390	490	490	620
280	315	170	240	240	330	330	430	430	540	540	680
315	355	190	270	270	360	360	470	470	590	590	740
355	400	210	300	300	400	400	520	520	650	650	820
400	450	230	330	330	440	440	570	570	720	720	910
450	500	260	370	370	490	490	630	630	790	790	1000
500	560	290	410	410	540	540	680	680	870	870	1100
560	630	320	460	460	600	600	760	760	980	980	1230
630	710	350	510	510	670	670	850	850	1090	1090	1360
710	800	390	570	570	750	750	960	960	1220	1220	1500
800	900	440	640	640	840	840	1070	1070	1370	1370	1690
900	1000	490	710	710	930	930	1190	1190	1520	1520	1860
1000	1120	530	770	770	1030	1030	1300	1300	1670	1670	2050
1120	1250	570	830	830	1120	1120	1420	1420	1830	1830	2250
1250	1400	620	910	910	1230	1230	1560	1560	2000	2000	2450
1400	1600	680	1000	1000	1350	1350	1720	1720	2200	2200	2700
1600	1800	750	1110	1110	1500	1500	1920	1920	2400	2400	2950



Loads

Minimum load For additional information → page 106	$P_m = 0,01 C_0$ Oil lubricated bearings: $n/n_r \leq 0,3 \rightarrow P_m = 0,003 C_0$ $0,3 < n/n_r \leq 2 \rightarrow P_m = 0,003 C_0 \left(1 + 2 \sqrt{\frac{n}{n_r} - 0,3}\right)$
Axial load carrying capacity	SKF spherical roller bearings are able to accommodate axial loads and even accommodate purely axial loads. Bearings correctly mounted on an adapter sleeve on plain shafts without fixed abutment: $F_{ap} = 0,003 B d$
Equivalent dynamic bearing load For additional information → page 91	$F_a/F_r \leq e \rightarrow P = F_r + Y_1 F_a$ $F_a/F_r > e \rightarrow P = 0,67 F_r + Y_2 F_a$
Equivalent static bearing load For additional information → page 105	$P_0 = F_r + Y_0 F_a$
	Symbols B bearing width [mm] C ₀ basic static load rating [kN] (product table, page 792) d bearing bore diameter [mm] e calculation factor (product table) F _a axial load [kN] F _{ap} maximum permissible axial load [kN] F _r radial load [kN] P equivalent dynamic bearing load [kN] P ₀ equivalent static bearing load [kN] P _m equivalent minimum load [kN] n rotational speed [r/min] n _r reference speed [r/min] (product table) Y ₀ , Y ₁ , Y ₂ calculation factors (product table)



Temperature limits

The permissible operating temperature for spherical roller bearings can be limited by:

- the dimensional stability of the bearing rings
- the seals
- the lubricant

Where temperatures outside the permissible range are expected, contact SKF.

Bearing rings

SKF spherical roller bearings undergo a special heat treatment. The bearings are heat stabilized up to at least 200 °C (390 °F).

Seals

The permissible operating temperature for seals depends on the seal material:

- NBR: -40 to +90 °C (-40 to +195 °F)
Temperatures up to 120 °C (250 °F) can be tolerated for brief periods.
- HNBR: -40 to +150 °C (-40 to +300 °F)
- FKM: -30 to +200 °C (-20 to +390 °F)

Typically, temperature peaks are at the seal lip.

Lubricants

Temperature limits for the greases used in sealed SKF spherical roller bearings are provided in [table 1, page 777](#). For temperature limits of other SKF greases, refer to *Selecting a suitable SKF grease*, [page 116](#).

When using lubricants not supplied by SKF, temperature limits should be evaluated according to the SKF traffic light concept ([page 117](#)).

Permissible speed

The speed ratings in the [product table](#) indicate:

- the **reference speed**, which enables a quick assessment of the speed capabilities from a thermal frame of reference
- the **limiting speed**, which is a mechanical limit that should not be exceeded unless the bearing design and the application are adapted for higher speeds

For additional information, refer to *Operating temperature and speed*, [page 130](#).



Design considerations

Free space on both sides of the bearing

To prevent interference between rotating bearing parts and stationary machine parts, free space (C_a) should be provided as indicated in [fig. 15](#). The requisite width of the free space depends on :

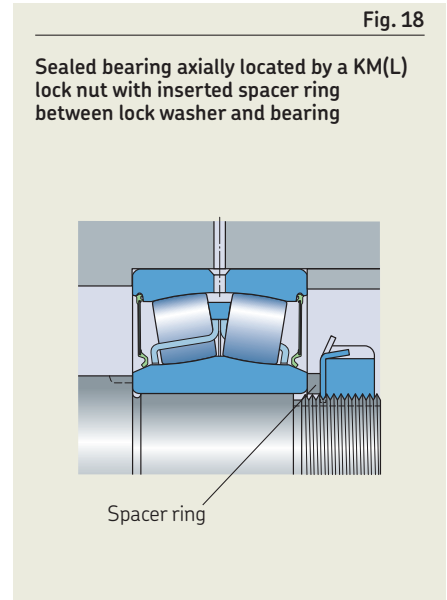
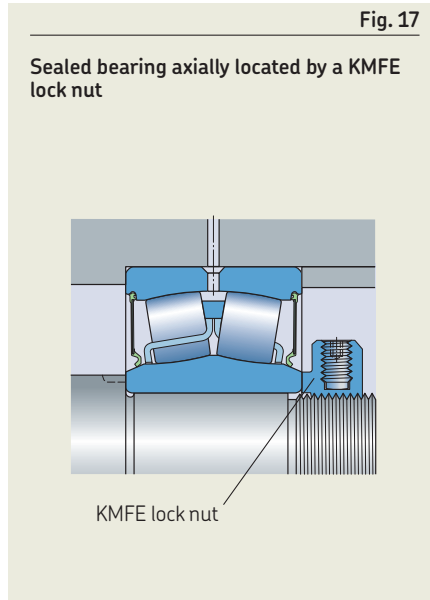
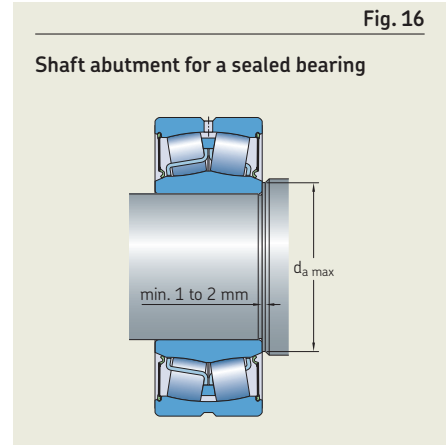
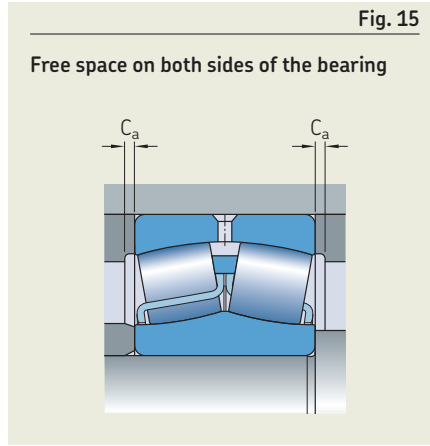
- the actual misalignment
- lubricant space requirements

The requisite free space should be at least 20 times the minimum value of the radial internal clearance in the unmounted bearing:

- with a cylindrical bore ([table 4, page 782](#))
- with a tapered bore ([table 5, page 783](#))

Abutments for sealed bearings

The diameter of the shaft abutment should not exceed $d_{a\max}$ ([product table, page 792](#)), certainly for the 1 to 2 mm closest to the bearing, to prevent interference with the seal ([fig. 16](#)). If the bearings are to be located axially on the shaft by a lock nut, SKF recommends using a KMFE lock nut ([fig. 17](#)) or fitting a spacer ring ([fig. 18](#)) between the bearing and the lock washer to prevent interference with the seal.



Bearings on sleeves

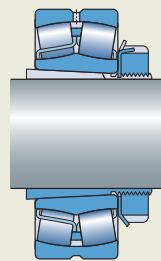
Spherical roller bearings with a tapered bore can be mounted with:

- an adapter sleeve on plain or stepped shafts (fig. 19):
 - SKF adapter sleeves are supplied complete with a locking device.
 - Use appropriate SKF adapter sleeve assemblies for sealed bearings (fig. 19) to prevent the locking device interfering with the seal (product table, page 824). Alternatively, a spacer ring can be inserted between the bearing and the lock washer.
- a withdrawal sleeve on stepped shafts (fig. 21)

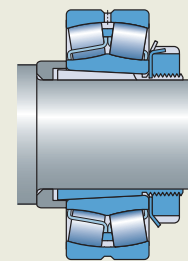
For additional information about sleeves, refer to *Adapter sleeves*, page 1065, and *Withdrawal sleeves*, page 1087.

Fig. 19

Bearing with a tapered bore mounted with an adapter sleeve



On a plain shaft



On a stepped shaft

Fig. 20

SKF adapter sleeve assembly for sealed bearings

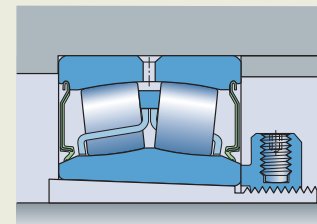
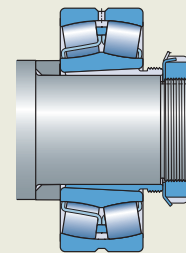


Fig. 21

Bearing with a tapered bore mounted on a stepped shaft with a withdrawal sleeve



Appropriate bearing housings

The combination of a spherical roller bearing, appropriate sleeve (where needed), and an appropriate SKF bearing housing provides a cost-effective, interchangeable and reliable solution that fulfils the demand for easy maintenance.

The comprehensive assortment of SKF bearing housings is provided online at skf.com/housings.

Mounting

During handling, the rings and roller complement of spherical roller bearings may be axially displaced from their normal position. This is especially likely where the bearings are mounted with the shaft or housing in the vertical position:

- The roller complement, together with the inner or outer ring, will move downward and result in no more clearance.
- When the bearing rings expand or contract as a result of an interference fit, preload is likely to result.

Therefore, wherever possible:

- Mount spherical roller bearings with the shaft or housing in the horizontal position.
- Rotate the inner or outer ring to align the rollers during mounting.

Where this is not feasible, use a bearing handling tool or other device to keep the bearing components arranged centrally.

Mounting sealed bearings

SKF does not recommend heating sealed spherical roller bearings above 80 °C (175 °F) during the mounting process. However, if higher temperatures are necessary, make sure that the temperature does not exceed the permissible temperature of either the seal or grease, whichever is the lowest.

Mounting bearings with a tapered bore

Bearings with a tapered bore are mounted with an interference fit. To obtain the proper degree of interference, one of the following methods can be used:

1 Measuring the clearance reduction (table 7)

2 Measuring the lock nut tightening angle (table 7)

3 Measuring the axial drive-up (table 7)

4 Applying the SKF Drive-up Method

For bearings with $d > 100$ mm, SKF recommends using the SKF Drive-up Method. This is a fast, reliable and safe method to achieve the appropriate interference fit. Additional information is available online at skf.com/drive-up.

5 Measuring the inner ring expansion

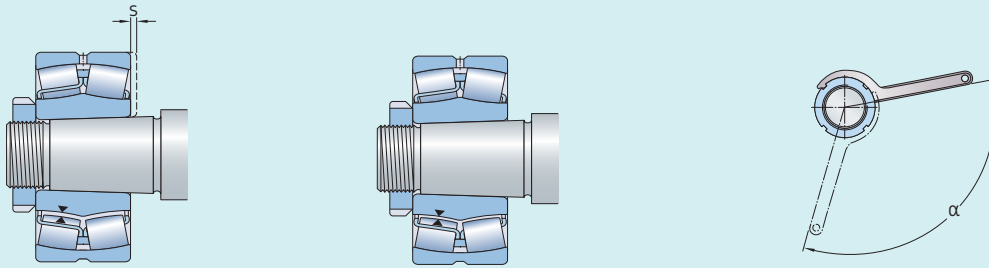
Additional information is available online at skf.com/sensormount.

For additional information about these mounting methods, refer to *Mounting bearings with a tapered bore*, page 203, or the *SKF bearing maintenance handbook*.



Table 7

Drive-up data for spherical roller bearings with a tapered bore



Bore diameter		Reduction of radial internal clearance		Axial drive-up ^{1) 2)}				Lock nut tightening angle ²⁾
d				s				α
>	≤	min.	max.	Taper 1:12 min.	Taper 1:12 max.	Taper 1:30 min.	Taper 1:30 max.	Taper 1:12
mm		mm		mm				°
24	30	0,01	0,015	0,25	0,29	–	–	100
30	40	0,015	0,02	0,3	0,35	–	–	115
40	50	0,02	0,025	0,37	0,44	–	–	130
50	65	0,025	0,035	0,45	0,54	1,15	1,35	115
65	80	0,035	0,04	0,55	0,65	1,4	1,65	130
80	100	0,04	0,05	0,66	0,79	1,65	2	150
100	120	0,05	0,06	0,79	0,95	2	2,35	
120	140	0,06	0,075	0,93	1,1	2,3	2,8	
140	160	0,07	0,085	1,05	1,3	2,65	3,2	
160	180	0,08	0,095	1,2	1,45	3	3,6	
180	200	0,09	0,105	1,3	1,6	3,3	4	
200	225	0,1	0,12	1,45	1,8	3,7	4,45	
225	250	0,11	0,13	1,6	1,95	4	4,85	
250	280	0,12	0,15	1,8	2,15	4,5	5,4	
280	315	0,135	0,165	2	2,4	4,95	6	
315	355	0,15	0,18	2,15	2,65	5,4	6,6	
355	400	0,17	0,21	2,5	3	6,2	7,6	
400	450	0,195	0,235	2,8	3,4	7	8,5	
450	500	0,215	0,265	3,1	3,8	7,8	9,5	
500	560	0,245	0,3	3,4	4,1	8,4	10,3	
560	630	0,275	0,34	3,80	4,65	9,50	11,60	
630	710	0,31	0,38	4,25	5,2	10,6	13	
710	800	0,35	0,425	4,75	5,8	11,9	14,5	
800	900	0,395	0,48	5,4	6,6	13,5	16,4	
900	1 000	0,44	0,535	6	7,3	15	18,3	
1 000	1 120	0,49	0,6	6,4	7,8	16	19,5	
1 120	1 250	0,55	0,67	7,1	8,7	17,8	21,7	
1 250	1 400	0,61	0,75	8	9,7	19,9	24,3	
1 400	1 600	0,7	0,85	9,1	11,1	22,7	27,7	
1 600	1 800	0,79	0,96	10,2	12,5	25,6	31,2	

Applying the recommended values prevents the inner ring from creeping, but does not ensure correct radial internal clearance in operation. Additional influences from the bearing housing fit and temperature differences between the inner and outer rings must be considered carefully when selecting the bearing radial internal clearance class (Selecting initial internal clearance, [page 183](#)).

¹⁾ Not valid for the SKF Drive-up Method.

²⁾ The listed values are valid only for solid steel shafts and general applications. They are to be used as guideline values only, as it is difficult to establish an exact starting position. Also, the axial drive-up, s, differs slightly between the different bearings series.



Designation system



Prefixes

- BS2-.. Bearing, designated by a drawing number
- ZE Bearing with SensorMount feature

Basic designation

Listed in [table 4, page 30](#)
 Figure with four digits: drawing number identification

Suffixes

Group 1: Internal design

- BC Bearing for wind turbine main shafts with roller-guided cast iron cage
- CA, CAC Retaining flanges on the inner ring, guide ring centred on the inner ring, machined brass cage
- CC(J), CJ Flangeless inner ring, guide ring centred on the inner ring, two stamped steel cages
- CCJA, EJA Flangeless inner ring, guide ring centred on the outer ring raceway, two stamped steel cages
- E Optimized internal design for increased load carrying capacity
 213, 222 and 223 series: Flangeless inner ring and two stamped steel cages. Annular groove and three lubrication holes in the outer ring.
 d ≤ 65 mm: Guide ring centred on the inner ring
 d > 65 mm: Guide ring centred on the cage

Group 2: External design (seals, snap ring groove, etc.)

- CS, -2CS Contact seal, NBR, on one or both sides
- CS2, -2CS2 Contact seal, FKM, on one or both sides
- CS5, -2CS5 Contact seal, HNBR, on one or both sides
- RS, -2RS Contact seal, NBR, on one or both sides
- RS5, -2RS5 Contact seal, HNBR, on one or both sides
- K Tapered bore, taper 1:12
- K30 Tapered bore, taper 1:30

Group 3: Cage design

- F Machined steel cage, inner ring centred
- FA Machined steel cage, outer ring centred
- J Stamped steel cage, inner ring centred
- JA Stamped steel cage, outer ring centred
- MA Machined brass cage, outer ring centred



Group 4					
4.1	4.2	4.3	4.4	4.5	4.6

Group 4.6: Other variants

R505	Bearing for railway axleboxes
VA405	Bearing for vibratory applications, surface-hardened stamped steel cages
VA406	Same as VA405, and PTFE coated cylindrical inner ring bore
VA991	Bearing for high-speed applications
VE552(E)	Outer ring with three equally-spaced threaded holes in one side face to accommodate lifting tackle. The E indicates that appropriate eye bolts are supplied with the bearing.
VE553(E)	Same as VE552(E), but threaded holes in both side faces
VG114	Surface-hardened stamped steel cages
VQ424	Running accuracy better than C08

Group 4.5: Lubrication

GEM9	Filled to 70 – 100% with SKF LGHB 2 grease
GLE	Filled to 25 – 45% with SKF LGWM 2 grease
VT143	Filled to 25 – 45% with SKF LGEP 2 grease
VT143B	Filled to 45 – 60% with SKF LGEP 2 grease
VT143C	Filled to 70 – 100% with SKF LGEP 2 grease
W64	Solid Oil
W	Without annular groove and lubrication holes in the outer ring
W20	Three lubrication holes in the outer ring
W26	Six lubrication holes in the inner ring
W33	Annular groove and three lubrication holes in the outer ring
W33X	Annular groove and six lubrication holes in the outer ring
W77	Plugged W33 lubrication holes
W513	W26 + W33

Group 4.4: Stabilization**Group 4.3: Bearing sets, matched bearings****Group 4.2: Accuracy, clearance, preload, quiet running**

C08	Running accuracy to P5 tolerance class
C083	C08 + C3
C084	C08 + C4
C2	Radial internal clearance smaller than Normal
C3	Radial internal clearance greater than Normal
C4	Radial internal clearance greater than C3
C5	Radial internal clearance greater than C4
P5	Dimensional and running accuracy to P5 tolerance class
P6	Dimensional and running accuracy to P6 tolerance class
P62	P6 + C2

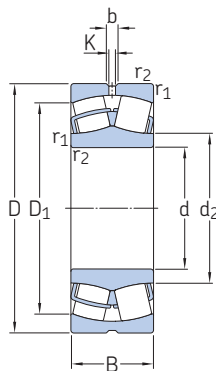
Group 4.1: Materials, heat treatment

235220	Case-hardened inner ring with a helical groove in the bore
HA3	Case-hardened inner ring

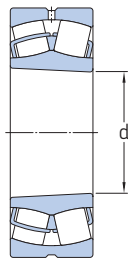


9.1 Spherical roller bearings

d 20 – 55 mm



Cylindrical bore



Tapered bore

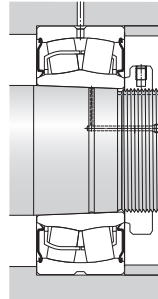
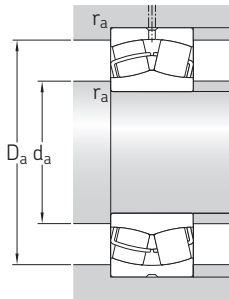


Sealed (2RS)

Principal dimensions			Basic load ratings		Fatigue load limit P_u	Speed ratings		Mass	Designations	
d	D	B	dynamic	static		Reference speed	Limiting speed		Bearing with cylindrical bore	tapered bore
mm			kN		kN	r/min		kg	–	
20	52	18	49,9	44	4,75	13 000	17 000	0,28	22205/20 E	–
25	52	18	49,9	44	4,75	13 000	17 000	0,26	▶ 22205 E	▶ 22205 EK
	52	23	49,9	44	4,75	–	6 100	0,26	▶ BS2-2205-2RS/VT143	–
	62	17	49,1	41,5	4,55	9 300	12 000	0,28	21305 CC	–
30	62	20	66,1	60	6,4	10 000	14 000	0,29	▶ 22206 E	▶ 22206 EK
	62	25	66,1	60	6,4	–	5 100	0,34	▶ BS2-2206-2RS/VT143	–
	72	19	65,7	61	6,8	8 200	10 000	0,41	21306 CC	–
35	72	23	88,8	85	9,3	9 000	12 000	0,45	▶ 22207 E	▶ 22207 EK
	72	28	88,8	85	9,3	–	4 300	0,52	▶ BS2-2207-2RS/VT143	–
	80	21	79,2	72	8,15	7 300	9 500	0,55	21307 CC	–
40	80	23	98,5	90	9,8	8 000	11 000	0,53	▶ 22208 E	▶ 22208 EK
	80	28	98,5	90	9,8	–	3 900	0,57	▶ BS2-2208-2RS/VT143	▶ BS2-2208-2RSK/VT143
	90	23	107	108	11,8	7 000	9 500	0,75	▶ 21308 E	21308 EK
	90	33	155	140	15	6 000	8 000	1,05	▶ 22308 E/VA405	–
	90	33	155	140	15	6 000	8 000	1,05	▶ 22308 E	▶ 22308 EK
45	90	38	155	140	15	–	3 900	1,2	▶ BS2-2308-2RS/VT143	–
	85	23	104	98	10,8	7 500	10 000	0,58	▶ 22209 E	▶ 22209 EK
	85	28	104	98	10,8	–	3 500	0,66	▶ BS2-2209-2RS/VT143	▶ BS2-2209-2RSK/VT143
	100	25	129	127	13,7	6 300	8 500	0,99	21309 E	▶ 21309 EK
	100	36	190	183	19,6	5 300	7 000	1,4	▶ 22309 E/VA405	–
	100	36	190	183	19,6	5 300	7 000	1,4	▶ 22309 E	▶ 22309 EK
50	100	42	190	183	19,6	–	3 400	1,6	▶ BS2-2309-2RS/VT143	–
	90	23	107	108	11,8	7 000	9 500	0,63	▶ 22210 E	▶ 22210 EK
	90	28	107	108	11,8	–	3 200	0,7	▶ BS2-2210-2RS/VT143	▶ BS2-2210-2RSK/VT143
	110	27	159	166	18,6	5 600	7 500	1,35	▶ 21310 E	▶ 21310 EK
	110	40	228	224	24	4 800	6 300	1,9	▶ 22310 E/VA405	–
	110	40	228	224	24	4 800	6 300	1,9	▶ 22310 E	▶ 22310 EK
55	110	45	228	224	24	–	3 000	2,1	▶ BS2-2310-2RS/VT143	–
	100	25	129	127	13,7	6 300	8 500	0,84	▶ 22211 E	▶ 22211 EK
	100	31	129	127	13,7	–	2 900	1	▶ BS2-2211-2RS/VT143	▶ BS2-2211-2RSK/VT143
	120	29	159	166	18,6	5 600	7 500	1,7	▶ 21311 E	▶ 21311 EK
	120	43	280	280	30	4 300	5 600	2,45	▶ 22311 E	▶ 22311 EK
	120	43	280	280	30	4 300	5 600	2,45	▶ 22311 E/VA405	22311 EK/VA405
	120	49	280	280	30	–	2 800	2,8	▶ BS2-2311-2RS/VT143	–

SKF Explorer bearing

▶ Popular item



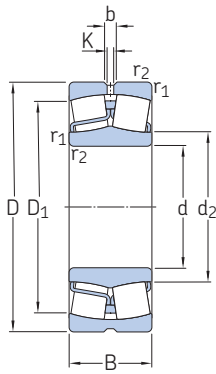
Dimensions					Abutment and fillet dimensions					Calculation factors				Permissible acceleration for oil lubrication ¹⁾	
d	d ₂ ≈	D ₁ ≈	b	K	r _{1,2} min.	d _a min.	d _a max.	D _a max.	r _a max.	e	Y ₁	Y ₂	Y ₀	rota- tional	linear
mm						mm				-				m/s ²	
20	31,3	44,2	3,7	2	1	25,6	-	46,4	1	0,35	1,9	2,9	1,8	-	-
25	31,3	44,2	3,7	2	1	30,6	-	46,4	1	0,35	1,9	2,9	1,8	-	-
	30	46,6	4,4	2	1	30	30	46,4	1	0,35	1,9	2,9	1,8	-	-
	35,7	50,7	-	-	1,1	32	-	55	1	0,3	2,3	3,4	2,2	-	-
30	37,6	53	3,7	2	1	35,6	-	56,4	1	0,31	2,2	3,3	2,2	-	-
	35,8	56,4	4,4	2	1	35,5	35,5	56,4	1	0,31	2,2	3,3	2,2	-	-
	43,3	58,8	-	-	1,1	37	-	65	1	0,27	2,5	3,7	2,5	-	-
35	44,5	61,8	3,7	2	1,1	42	-	65	1	0,31	2,2	3,3	2,2	-	-
	42,4	65,3	4,4	2	1,1	42	42	65	1	0,31	2,2	3,3	2,2	-	-
	47,2	65,6	-	-	1,5	44	-	71	1,5	0,28	2,4	3,6	2,5	-	-
40	49,6	69,4	6	3	1,1	47	-	73	1	0,28	2,4	3,6	2,5	-	-
	47,2	72,8	6	3	1,1	47	47	73	1	0,28	2,4	3,6	2,5	-	-
	60	79,8	5,5	3	1,5	49	-	81	1,5	0,24	2,8	4,2	2,8	-	-
45	49,9	74,3	6	3	1,5	49	-	81	1,5	0,37	1,8	2,7	1,8	115 g	31 g
	49,9	74,3	6	3	1,5	49	-	81	1,5	0,37	1,8	2,7	1,8	-	-
	47,5	79,3	6	3	1,5	47,5	47,5	81	1,5	0,37	1,8	2,7	1,8	-	-
	54,4	74,4	5,5	3	1,1	52	-	78	1	0,26	2,6	3,9	2,5	-	-
	52,5	77,8	6	3	1,1	52	52	78	1	0,26	2,6	3,9	2,5	-	-
	65,3	88	6	3	1,5	54	-	91	1,5	0,24	2,8	4,2	2,8	-	-
50	57,6	83,4	6	3	1,5	54	-	91	1,5	0,37	1,8	2,7	1,8	97 g	29 g
	57,6	83,4	6	3	1,5	54	-	91	1,5	0,37	1,8	2,7	1,8	-	-
	55	88,5	6	3	1,5	54	55	91	1,5	0,37	1,8	2,7	1,8	-	-
	60	79	5,5	3	1,1	57	-	83	1	0,24	2,8	4,2	2,8	-	-
	58,1	82,3	6	3	1,1	57	58	83	1	0,24	2,8	4,2	2,8	-	-
	72,7	96,8	6	3	2	61	-	99	2	0,24	2,8	4,2	2,8	-	-
55	63,9	91,9	6	3	2	61	-	99	2	0,37	1,8	2,7	1,8	85 g	28 g
	63,9	91,9	6	3	2	61	-	99	2	0,37	1,8	2,7	1,8	-	-
	61,5	96,8	6	3	2	61	61	99	2	0,37	1,8	2,7	1,8	-	-
	65,3	88	6	3	1,5	64	-	91	1,5	0,24	2,8	4,2	2,8	-	-
	63,5	92	6	3	1,5	63,5	63,5	91	1,5	0,24	2,8	4,2	2,8	-	-
	72,7	96,2	6	3	2	66	-	109	2	0,24	2,8	4,2	2,8	-	-
	70,1	102	5,5	3	2	66	-	109	2	0,35	1,9	2,9	1,8	-	-
	70,1	102	5,5	3	2	66	-	109	2	0,35	1,9	2,9	1,8	78 g	26 g
	67,5	107	6	3	2	66	67	109	2	0,35	1,9	2,9	1,8	-	-

¹⁾ For details about permissible accelerations → [page 779](#)

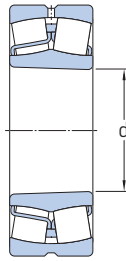


9.1 Spherical roller bearings

d 60 – 80 mm



Cylindrical bore



Tapered bore

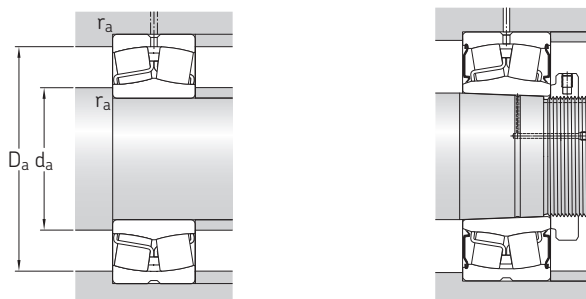


Sealed (2RS, 2RS5)

Principal dimensions			Basic load ratings		Fatigue load limit P_u	Speed ratings		Mass	Designations	
d	D	B	dynamic C	static C_0		Reference speed	Limiting speed		Bearing with cylindrical bore	tapered bore
mm			kN		kN	r/min	kg	–		
60	110	28	159	166	18,6	5 600	7 500	1,15	▶ 22212 E	▶ 22212 EK
	110	34	159	166	18,6	–	2 700	1,3	▶ BS2-2212-2RS/VT143	▶ BS2-2212-2RSK/VT143
	130	31	217	240	26,5	4 800	6 300	2,1	▶ 21312 E	▶ 21312 EK
	130	46	325	335	36	4 000	5 300	3,1	▶ 22312 E	▶ 22312 EK
	130	46	325	335	36	4 000	5 300	3,1	▶ 22312 E/VA405	▶ 22312 EK/VA405
	130	53	325	335	36	–	2 500	3,4	▶ BS2-2312-2RS/VT143	–
65	100	35	137	173	20,4	–	2 600	0,95	24013-2RS5W/VT143	–
	100	35	137	173	20,4	4 300	6 300	0,95	24013 CC/W33	24013 CCK30/W33
	120	31	198	216	24	5 000	7 000	1,55	▶ 22213 E	▶ 22213 EK
	120	38	198	216	24	–	2 400	1,6	▶ BS2-2213-2RS/VT143	▶ BS2-2213-2RSK/VT143
	140	33	243	270	29	4 300	6 000	2,55	▶ 21313 E	▶ 21313 EK
	140	48	357	360	38	3 800	5 000	3,75	▶ 22313 E	▶ 22313 EK
	140	48	357	360	38	3 800	5 000	3,75	▶ 22313 E/VA405	22313 EK/VA405
	140	56	357	360	38	–	2 400	4,15	▶ BS2-2313-2RS/VT143	–
70	125	31	213	228	25,5	5 000	6 700	1,55	▶ 22214 E	▶ 22214 EK
	125	38	213	228	25,5	–	2 300	1,8	▶ BS2-2214-2RS/VT143	▶ BS2-2214-2RSK/VT143
	150	35	291	325	34,5	4 000	5 600	3,1	▶ 21314 E	▶ 21314 EK
	150	51	413	430	45	3 400	4 500	4,55	▶ 22314 E	▶ 22314 EK
	150	51	413	430	45	3 400	4 500	4,55	▶ 22314 E/VA405	▶ 22314 EK/VA405
	150	60	413	430	45	–	2 100	5,1	▶ BS2-2314-2RS/VT143	–
75	115	40	181	232	28,5	–	2 300	1,55	24015-2RS5/VT143	–
	115	40	181	232	28,5	3 800	5 300	1,55	▶ 24015 CC/W33	24015 CCK30/W33
	130	31	217	240	26,5	4 800	6 300	1,7	▶ 22215 E	▶ 22215 EK
	130	38	217	240	26,5	–	2 200	2,1	▶ BS2-2215-2RS/VT143	▶ BS2-2215-2RSK/VT143
	160	37	291	325	34,5	4 000	5 600	3,75	▶ 21315 E	▶ 21315 EK
	160	55	462	475	48	3 200	4 300	5,55	▶ 22315 E	▶ 22315 EK
	160	55	462	475	48	3 200	4 300	5,55	▶ 22315 EJA/VA405	22315 EKJA/VA405
	160	64	462	475	48	–	2 100	6,5	▶ BS2-2315-2RS/VT143	▶ BS2-2315-2RSK/VT143
80	140	33	243	270	29	4 300	6 000	2,1	▶ 22216 E	▶ 22216 EK
	140	40	243	270	29	–	2 000	2,4	▶ BS2-2216-2RS/VT143	▶ BS2-2216-2RSK/VT143
	170	39	331	375	39	3 800	5 300	4,45	▶ 21316 E	▶ 21316 EK
	170	58	516	530	54	3 000	4 000	6,6	▶ 22316 E	▶ 22316 EK
	170	58	516	530	54	3 000	4 000	6,6	▶ 22316 EJA/VA405	22316 EKJA/VA405
	170	67	516	530	54	–	2 000	7,2	▶ BS2-2316-2RS/VT143	–

SKF Explorer bearing

▶ Popular item



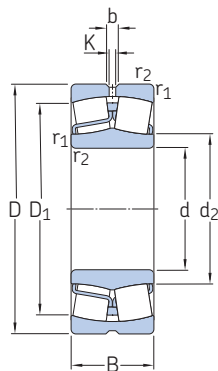
Dimensions					Abutment and fillet dimensions					Calculation factors				Permissible acceleration for oil lubrication ¹⁾	
d	d ₂ ≈	D ₁ ≈	b	K	r _{1,2} min.	d _a min.	d _a max.	D _a max.	r _a max.	e	Y ₁	Y ₂	Y ₀	rota- tional	linear
mm						mm				-				m/s ²	
60	72,7	96,5	6	3	1,5	69	-	101	1,5	0,24	2,8	4,2	2,8	-	-
	69,7	101	6	3	1,5	69	69	101	1,5	0,24	2,8	4,2	2,8	-	-
	87,8	115	6	3	2,1	72	-	118	2	0,22	3	4,6	2,8	-	-
	77,9	110	8,3	4,5	2,1	72	-	118	2	0,35	1,9	2,9	1,8	-	-
	77,9	110	8,3	4,5	2,1	72	-	118	2	0,35	1,9	2,9	1,8	70 g	25 g
	75	117	8,3	4,5	2,1	72	75	118	2	0,35	1,9	2,9	1,8	-	-
65	71,6	93,5	-	-	1,1	71	71	94	1	0,27	2,5	3,7	2,5	-	-
	73,9	87,3	3,7	2	1,1	71	-	94	1	0,27	2,5	3,7	2,5	-	-
	80,1	106	6	3	1,5	74	-	111	1,5	0,24	2,8	4,2	2,8	-	-
	76,5	110	6	3	1,5	74	76	111	1,5	0,24	2,8	4,2	2,8	-	-
	94,7	124	6	3	2,1	77	-	128	2	0,22	3	4,6	2,8	-	-
	81,6	118	8,3	4,5	2,1	77	-	128	2	0,35	1,9	2,9	1,8	-	-
	81,6	118	8,3	4,5	2,1	77	-	128	2	0,35	1,9	2,9	1,8	69 g	24 g
	78,7	125	8,3	4,5	2,1	77	78	128	2	0,35	1,9	2,9	1,8	-	-
	70	83	111	6	3	1,5	79	-	116	1,5	0,23	2,9	4,4	2,8	-
80,1		116	6	3	1,5	79	80	116	1,5	0,23	2,9	4,4	2,8	-	-
101		133	6	3	2,1	82	-	138	2	0,22	3	4,6	2,8	-	-
	90,3	128	8,3	4,5	2,1	82	-	138	2	0,33	2	3	2	-	-
	90,3	128	8,3	4,5	2,1	82	-	138	2	0,33	2	3	2	61 g	23 g
	86,7	136	8,3	4,5	2,1	82	86	138	2	0,33	2	3	2	-	-
75	81,8	106	6	3	1,1	81	81	109	1	0,28	2,4	3,6	2,5	-	-
	84,2	100	5,5	3	1,1	81	-	109	1	0,28	2,4	3,6	2,5	-	-
	87,8	115	6	3	1,5	84	-	121	1,5	0,22	3	4,6	2,8	-	-
	84,5	120	6	3	1,5	84	84	121	1,5	0,22	3	4,6	2,8	-	-
	101	133	6	3	2,1	87	-	148	2	0,22	3	4,6	2,8	-	-
	92,8	135	8,3	4,5	2,1	87	-	148	2	0,35	1,9	2,9	1,8	-	-
	92,8	135	8,3	4,5	2,1	87	-	148	2	0,35	1,9	2,9	1,8	88 g	23 g
	89,9	140	8,3	4,5	2,1	87	89	148	2	0,35	1,9	2,9	1,8	-	-
	80	94,7	124	6	3	2	91	-	129	2	0,22	3	4,6	2,8	-
91,7		129	6	3	2	91	91	129	2	0,22	3	4,6	2,8	-	-
106		141	6	3	2,1	92	-	158	2	0,24	2,8	4,2	2,8	-	-
	98,3	143	8,3	4,5	2,1	92	-	158	2	0,35	1,9	2,9	1,8	-	-
	98,3	143	8,3	4,5	2,1	92	-	158	2	0,35	1,9	2,9	1,8	80 g	22 g
	94,2	150	8,3	4,5	2,1	92	94	158	2	0,35	1,9	2,9	1,8	-	-

¹⁾ For details about permissible accelerations → [page 779](#)

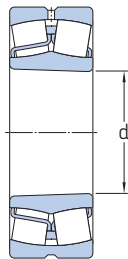


9.1 Spherical roller bearings

d 85 – 100 mm



Cylindrical bore



Tapered bore

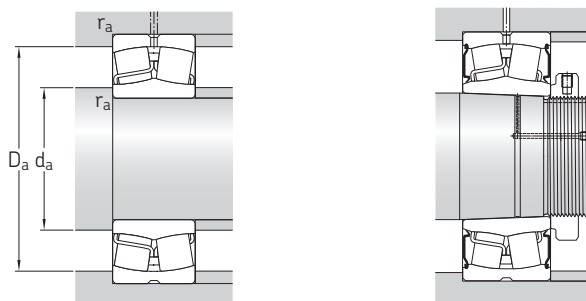


Sealed (2RS, 2RS5)

Principal dimensions			Basic load ratings		Fatigue load limit P_u	Speed ratings		Mass	Designations	
d	D	B	dynamic C	static C_0		Reference speed	Limiting speed		Bearing with cylindrical bore	tapered bore
mm			kN		kN	r/min	kg	–		
85	150	36	291	325	34,5	4 000	5 600	2,7	▶ 22217 E	▶ 22217 EK
	150	44	291	325	34,5	–	1 900	3	▶ BS2-2217-2RS/VT143	▶ BS2-2217-2RSK/VT143
	180	41	331	375	39	3 800	5 300	5,2	▶ 21317 E	▶ 21317 EK
	180	60	577	620	61	2 800	3 800	7,65	▶ 22317 E	▶ 22317 EK
	180	60	577	620	61	2 800	3 800	7,65	▶ 22317 EJA/VA405	▶ 22317 EKJA/VA405
	180	60	577	620	61	2 800	3 800	7,65	▶ 22317 EJA/VA406	–
90	160	40	331	375	39	3 800	5 300	3,4	▶ 22218 E	▶ 22218 EK
	160	48	331	375	39	–	1 800	3,7	▶ BS2-2218-2RS/VT143	▶ BS2-2218-2RSK/VT143
	160	52,4	372	440	48	2 800	3 800	4,65	▶ 23218 CC/W33	▶ 23218 CCK/W33
	190	43	393	450	45,5	3 600	4 800	6,1	▶ 21318 E	▶ 21318 EK
	190	64	637	695	67	2 600	3 600	9,05	▶ 22318 E	▶ 22318 EK
	190	64	637	695	67	2 600	3 600	9,05	▶ 22318 EJA/VA405	▶ 22318 EKJA/VA405
95	190	73	637	695	67	–	1 700	9,8	▶ BS2-2318-2RS5/VT143	▶ BS2-2318-2RS5K/VT143
	170	43	393	450	45,5	3 600	4 800	4,15	▶ 22219 E	▶ 22219 EK
	170	51	393	450	45,5	–	1 700	4,65	▶ BS2-2219-2RS/VT143	–
	200	45	433	490	49	3 400	4 500	7,05	▶ 21319 E	▶ 21319 EK
	200	67	699	765	73,5	2 600	3 400	10,5	▶ 22319 E	▶ 22319 EK
	200	67	699	765	73,5	2 600	3 400	10,5	▶ 22319 EJA/VA405	▶ 22319 EKJA/VA405
100	150	50	296	415	45,5	–	1 700	3,15	▶ 24020-2RS5/VT143	–
	150	50	296	415	45,5	2 800	4 000	3,15	▶ 24020 CC/W33	▶ 24020 CCK30/W33
	165	52	385	490	53	3 000	4 000	4,55	▶ 23120 CC/W33	▶ 23120 CCK/W33
	165	52	386	490	53	–	1 700	4,55	▶ 23120-2RS5/VT143	–
	165	65	468	640	68	2 400	3 200	5,65	▶ 24120 CC/W33	▶ 24120 CCK30/W33
	165	65	470	640	68	–	1 700	5,65	▶ 24120-2RS5/VT143	–
	180	46	433	490	49	3 400	4 500	4,9	▶ 22220 E	▶ 22220 EK
	180	55	433	490	49	–	1 600	5,5	▶ BS2-2220-2RS5/VT143	▶ BS2-2220-2RS5K/VT143
	180	60,3	498	600	63	2 400	3 400	6,85	▶ 23220 CC/W33	▶ 23220 CCK/W33
	180	60,3	499	600	63	–	1 600	6,85	▶ 23220-2RS/VT143	–
	180	60,3	499	600	63	–	1 600	6,85	▶ 23220-2RS5/VT143	–
	215	47	433	490	49	3 400	4 500	8,6	▶ 21320 E	▶ 21320 EK
	215	73	847	950	88	2 400	3 000	13,5	▶ 22320 E	▶ 22320 EK
	215	73	847	950	88	2 400	3 000	13,5	▶ 22320 EJA/VA405	▶ 22320 EKJA/VA405
	215	73	847	950	88	2 400	3 000	13,5	▶ 22320 EJA/VA406	–

SKF Explorer bearing

▶ Popular item

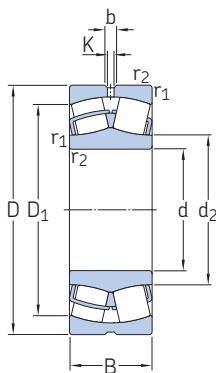


Dimensions					Abutment and fillet dimensions					Calculation factors				Permissible acceleration for oil lubrication ¹⁾	
d	d ₂	D ₁	b	K	r _{1,2}	d _a min.	d _a max.	D _a max.	r _a max.	e	Y ₁	Y ₂	Y ₀	rotational	linear
mm					mm					-				m/s ²	
85	101	133	6	3	2	96	-	139	2	0,22	3	4,6	2,8	-	-
	98,2	137	6	3	2	96	98	139	2	0,22	3	4,6	2,8	-	-
	106	141	6	3	3	99	-	166	2,5	0,24	2,8	4,2	2,8	-	-
	108	154	8,3	4,5	3	99	-	166	2,5	0,33	2	3	2	-	-
	108	154	8,3	4,5	3	99	-	166	2,5	0,33	2	3	2	74 g	21 g
	108	154	8,3	4,5	3	99	-	166	2,5	0,33	2	3	2	74 g	21 g
90	106	141	6	3	2	101	-	149	2	0,24	2,8	4,2	2,8	-	-
	102	146	6	3	2	101	102	149	2	0,24	2,8	4,2	2,8	-	-
	106	137	5,5	3	2	101	-	149	2	0,31	2,2	3,3	2,2	-	-
	112	150	8,3	4,5	3	104	-	176	2,5	0,24	2,8	4,2	2,8	-	-
	113	161	11,1	6	3	104	-	176	2,5	0,33	2	3	2	-	-
	113	161	11,1	6	3	104	-	176	2,5	0,33	2	3	2	68 g	21 g
95	109	165	11,1	6	3	104	109	176	2,5	0,33	2	3	2	-	-
	112	150	8,3	4,5	2,1	107	-	158	2	0,24	2,8	4,2	2,8	-	-
	109	155	8,3	4,5	2,1	107	109	158	2	0,24	2,8	4,2	2,8	-	-
	118	159	8,3	4,5	3	109	-	186	2,5	0,24	2,8	4,2	2,8	-	-
	118	168	11,1	6	3	109	-	186	2,5	0,33	2	3	2	-	-
	118	168	11,1	6	3	109	-	186	2,5	0,33	2	3	2	64 g	20 g
100	108	138	6	3	1,5	107	108	143	1,5	0,28	2,4	3,6	2,5	-	-
	111	132	6	3	1,5	107	-	143	1,5	0,28	2,4	3,6	2,5	-	-
	115	144	6	3	2	111	-	154	2	0,3	2,3	3,4	2,2	-	-
	112	149	6	3	2	111	112	154	2	0,27	2,5	3,7	2,5	-	-
	113	141	4,4	2	2	111	-	154	2	0,37	1,8	2,7	1,8	-	-
	110	147	4,4	2	2	110	110	154	2	0,35	1,9	2,9	1,8	-	-
	118	159	8,3	4,5	2,1	112	-	168	2	0,24	2,8	4,2	2,8	-	-
	114	163	8,3	4,5	2,1	112	114	168	2	0,24	2,8	4,2	2,8	-	-
	117	153	8,3	4,5	2,1	112	-	168	2	0,33	2	3	2	-	-
	114	159	8,3	4,5	2,1	112	114	168	2	0,3	2,3	3,4	2,2	-	-
	114	159	8,3	4,5	2,1	112	114	168	2	0,3	2,3	3,4	2,2	-	-
	118	159	8,3	4,5	3	114	-	201	2,5	0,24	2,8	4,2	2,8	-	-
	130	184	11,1	6	3	114	-	201	2,5	0,33	2	3	2	-	-
	130	184	11,1	6	3	114	-	201	2,5	0,33	2	3	2	56 g	20 g
	130	184	11,1	6	3	114	-	201	2,5	0,33	2	3	2	56 g	20 g

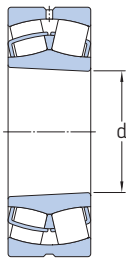
¹⁾ For details about permissible accelerations → [page 779](#)

9.1 Spherical roller bearings

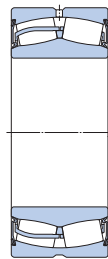
d 110 – 120 mm



Cylindrical bore

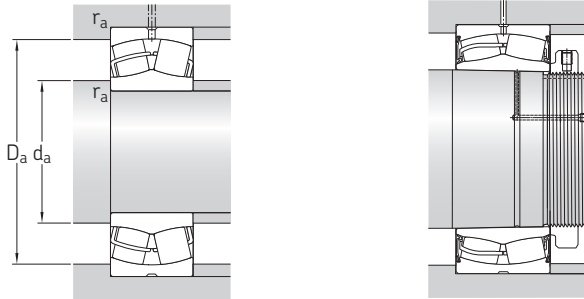


Tapered bore



Sealed (2RS, 2RS5, 2CS5)

Principal dimensions			Basic load ratings		Fatigue load limit P_u	Speed ratings		Mass	Designations	
d	D	B	dynamic C	static C_0		Reference speed	Limiting speed		Bearing with cylindrical bore	tapered bore
mm			kN		kN	r/min	kg	–		
110	170	45	326	440	46,5	–	1 500	3,8	▶ 23022-2RS/VT143	–
	170	45	326	440	46,5	3 400	4 300	3,8	▶ 23022 CC/W33	▶ 23022 CCK/W33
	170	60	437	620	67	2 400	3 600	5	▶ 24022 CC/W33	▶ 24022 CCK30/W33
	170	60	438	620	67	–	1 600	5	▶ 24022-2RS5/VT143	–
	180	56	450	585	61	2 800	3 600	5,75	▶ 23122 CC/W33	▶ 23122 CCK/W33
	180	56	451	585	61	–	800	5,75	▶ 23122-2CS5/VT143	▶ 23122-2CS5K/VT143
	180	69	539	750	78	2 000	3 000	7,1	▶ 24122 CC/W33	▶ 24122 CCK30/W33
	180	69	540	750	78	–	630	7,1	▶ 24122-2CS5/VT143	–
	200	53	572	640	63	3 000	4 000	7	▶ 22222 E	▶ 22222 EK
	200	63	572	640	63	–	1 500	7,6	▶ BS2-2222-2RS5/VT143	▶ BS2-2222-2RS5K/VT143
	200	69,8	626	765	76,5	2 200	3 200	9,85	▶ 23222 CC/W33	▶ 23222 CCK/W33
	200	69,8	627	765	76,5	–	640	9,85	▶ 23222-2CS5/VT143	▶ 23222-2CS5K/VT143
120	240	80	989	1 120	100	2 000	2 800	18,5	▶ 22322 E	▶ 22322 EK
	240	80	989	1 120	100	2 000	2 800	18,5	▶ 22322 EJA/VA405	▶ 22322 EKJA/VA405
	240	80	989	1 120	100	2 000	2 800	18,5	▶ 22322 EJA/VA406	–
	180	46	366	500	52	3 200	4 000	4,2	▶ 23024 CC/W33	▶ 23024 CCK/W33
	180	46	367	500	52	–	1 400	4,2	▶ 23024-2RS5/VT143	–
	180	60	456	670	68	2 400	3 400	5,45	▶ 24024 CC/W33	▶ 24024 CCK30/W33
	180	60	457	670	68	–	670	5,45	▶ 24024-2CS5/VT143	–
	200	62	534	695	71	2 600	3 400	8	▶ 23124 CC/W33	▶ 23124 CCK/W33
	200	62	535	695	71	–	720	7,55	▶ 23124-2CS5/VT143	–
	200	80	679	950	95	1 900	2 600	10,5	▶ 24124 CC/W33	▶ 24124 CCK30/W33
	200	80	680	950	95	–	560	10,5	▶ 24124-2CS5/VT143	–
	215	58	652	765	73,5	2 800	3 800	8,7	▶ 22224 E	▶ 22224 EK
	215	69	652	765	73,5	–	1 400	9,75	▶ BS2-2224-2RS5/VT143	▶ BS2-2224-2RS5K/VT143
	215	76	732	930	93	2 000	2 800	12	▶ 23224 CC/W33	▶ 23224 CCK/W33
	215	76	734	930	93	–	600	12	▶ 23224-2CS5/VT143	▶ 23224-2CS5K/VT143
	260	86	1 019	1 120	100	2 000	2 600	23	▶ 22324 CC/W33	▶ 22324 CCK/W33
	260	86	1 019	1 120	100	2 000	2 600	23	▶ 22324 CCJA/W33VA405	▶ 22324 CCKJA/W33VA405
	260	86	1 019	1 120	100	2 000	2 600	23	▶ 22324 CCJA/W33VA406	–
260	86	1 022	1 120	100	–	600	23	▶ 22324-2CS5/VT143	▶ 22324-2CS5K/VT143	



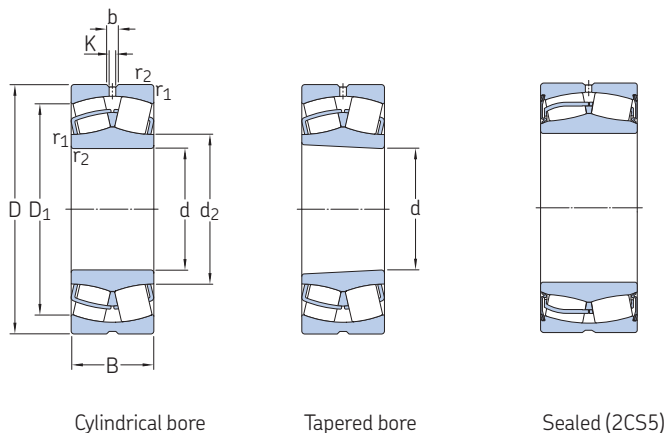
Dimensions					Abutment and fillet dimensions					Calculation factors				Permissible acceleration for oil lubrication ¹⁾	
d	d ₂ ≈	D ₁ ≈	b	K	r _{1,2} min.	d _a min.	d _a max.	D _a max.	r _a max.	e	Y ₁	Y ₂	Y ₀	rota- tional	linear
mm						mm				-				m/s ²	
110	122	156	6	3	2	119	122	161	2	0,21	3,2	4,8	3,2	-	-
	125	151	6	3	2	119	-	161	2	0,23	2,9	4,4	2,8	-	-
	122	149	5,5	3	2	119	-	161	2	0,33	2	3	2	-	-
	120	154	6	3	2	119	120	161	2	0,3	2,3	3,4	2,2	-	-
	126	157	8,3	4,5	2	121	-	169	2	0,3	2,3	3,4	2,2	-	-
	122	166	8,3	4,5	2	121	122	169	2	0,27	2,5	3,7	2,5	-	-
	123	153	6	3	2	121	-	169	2	0,37	1,8	2,7	1,8	-	-
	120	163	6	3	2	121	121	169	2	0,35	1,9	2,9	1,8	-	-
	130	178	8,3	4,5	2,1	122	-	188	2	0,25	2,7	4	2,5	-	-
	126	183	8,3	4,5	2,1	122	126	188	2	0,25	2,7	4	2,5	-	-
	130	169	8,3	4,5	2,1	122	-	188	2	0,33	2	3	2	-	-
	126	178	8,3	4,5	2,1	122	126	188	2	0,33	2	3	2	-	-
	143	204	13,9	7,5	3	124	-	226	2,5	0,33	2	3	2	-	-
	143	204	13,9	7,5	3	124	-	226	2,5	0,33	2	3	2	53 g	19 g
	143	204	13,9	7,5	3	124	-	226	2,5	0,33	2	3	2	53 g	19 g
120	135	163	6	3	2	129	-	171	2	0,22	3	4,6	2,8	-	-
	132	168	6	3	2	129	132	171	2	0,2	3,4	5	3,2	-	-
	132	159	6	3	2	129	-	171	2	0,3	2,3	3,4	2,2	-	-
	130	166	6	3	2	129	130	171	2	0,28	2,4	3,6	2,5	-	-
	139	174	8,3	4,5	2	131	-	189	2	0,28	2,4	3,6	2,5	-	-
	135	183	8,3	4,5	2	131	135	189	2	0,27	2,5	3,7	2,5	-	-
	135	168	6	3	2	131	-	189	2	0,37	1,8	2,7	1,8	-	-
	132	179	6	3	2	131	132	189	2	0,37	1,8	2,7	1,8	-	-
	141	189	11,1	6	2,1	132	-	203	2	0,26	2,6	3,9	2,5	-	-
	136	194	11,1	6	2,1	132	136	203	2	0,26	2,6	3,9	2,5	-	-
	141	182	8,3	4,5	2,1	132	-	203	2	0,35	1,9	2,9	1,8	-	-
	137	193	8,3	4,5	2,1	132	137	203	2	0,33	2	3	2	-	-
	152	216	13,9	7,5	3	134	-	246	2,5	0,35	1,9	2,9	1,8	-	-
	152	216	13,9	7,5	3	134	-	246	2,5	0,35	1,9	2,9	1,8	96 g	21 g
	152	216	13,9	7,5	3	134	-	246	2,5	0,35	1,9	2,9	1,8	96 g	21 g
	147	229	13,9	7,5	3	134	147	246	2,5	0,33	2	3	2	-	-

¹⁾ For details about permissible accelerations → [page 779](#)



9.1 Spherical roller bearings

d 130 – 140 mm

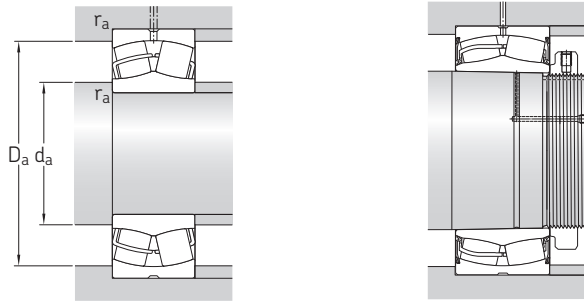


Cylindrical bore

Tapered bore

Sealed (2CS5)

Principal dimensions			Basic load ratings		Fatigue load limit P_u	Speed ratings		Mass	Designations	
d	D	B	dynamic C	static C_0		Reference speed	Limiting speed		Bearing with cylindrical bore	tapered bore
mm			kN		kN	r/min	kg	–		
130	200	52	452	610	61	2 800	3 600	6	▶ 23026 CC/W33	▶ 23026 CCK/W33
	200	52	452	610	62	–	800	6	▶ 23026-2CS5/VT143	▶ 23026-2CS5K/VT143
	200	69	569	815	81,5	2 000	3 000	8,05	▶ 24026 CC/W33	▶ 24026 CCK30/W33
	200	69	570	830	81,5	–	600	8,05	▶ 24026-2CS5/VT143	–
	210	64	586	780	78	2 400	3 200	8,8	▶ 23126 CC/W33	▶ 23126 CCK/W33
	210	80	699	1 000	100	1 700	2 400	11	▶ 24126 CC/W33	▶ 24126 CCK30/W33
	210	80	701	1 000	100	–	530	11	▶ 24126-2CS5/VT143	–
	220	73	640	930	93	1 600	2 400	11,5	▶ 229750 J/C3R505	–
	230	64	758	930	88	2 600	3 600	11	▶ 22226 E	▶ 22226 EK
	230	75	758	930	88	–	700	11	▶ BS2-2226-2CS5/VT143	▶ BS2-2226-2CS5K/VT143
	230	80	826	1 060	104	1 900	2 600	14,5	▶ 23226 CC/W33	▶ 23226 CCK/W33
	230	80	828	1 060	104	–	530	14,5	▶ 23226-2CS5/VT143	▶ 23226-2CS5K/VT143
	280	93	1 176	1 320	114	1 800	2 400	29	▶ 22326 CC/W33	▶ 22326 CCK/W33
	280	93	1 176	1 320	114	1 800	2 400	29	▶ 22326 CCJA/W33VA405	▶ 22326 CCKJA/W33VA405
	280	93	1 176	1 320	114	1 800	2 400	29	▶ 22326 CCJA/W33VA406	–
280	93	1 178	1 320	114	–	500	29	▶ 22326-2CS5/VT143	▶ 22326-2CS5K/VT143	
140	210	53	485	680	68	–	700	6,55	▶ 23028-2CS5/VT143	▶ 23028-2CS5K/VT143
	210	53	485	680	68	2 600	3 400	6,55	▶ 23028 CC/W33	▶ 23028 CCK/W33
	210	69	600	900	88	2 000	2 800	8,55	▶ 24028 CC/W33	▶ 24028 CCK30/W33
	210	69	601	900	88	–	560	8,55	▶ 24028-2CS5/VT143	–
	225	68	659	900	88	2 200	2 800	10,5	▶ 23128 CC/W33	▶ 23128 CCK/W33
	225	85	796	1 160	112	1 600	2 200	13,5	▶ 24128 CC/W33	▶ 24128 CCK30/W33
	225	85	797	1 160	112	–	450	13,5	▶ 24128-2CS5/VT143	▶ 24128-2CS5K30/VT143
	250	68	743	900	86,5	2 400	3 200	14	▶ 22228 CC/W33	▶ 22228 CCK/W33
	250	68	744	900	86,5	–	670	14	▶ 22228-2CS5/VT143	▶ 22228-2CS5K/VT143
	250	88	962	1 250	120	1 700	2 400	19	▶ 23228 CC/W33	▶ 23228 CCK/W33
	250	88	963	1 250	120	–	480	19	▶ 23228-2CS5/VT143	▶ 23228-2CS5K/VT143
	300	102	1 357	1 560	132	1 700	2 200	36,5	▶ 22328 CC/W33	▶ 22328 CCK/W33
	300	102	1 357	1 560	132	1 700	2 200	36,5	▶ 22328 CCJA/W33VA405	▶ 22328 CCKJA/W33VA405
	300	102	1 357	1 560	132	1 700	2 200	36,5	▶ 22328 CCJA/W33VA406	–
	300	102	1 359	1 560	132	–	430	36,5	▶ 22328-2CS5/VT143	▶ 22328-2CS5K/VT143



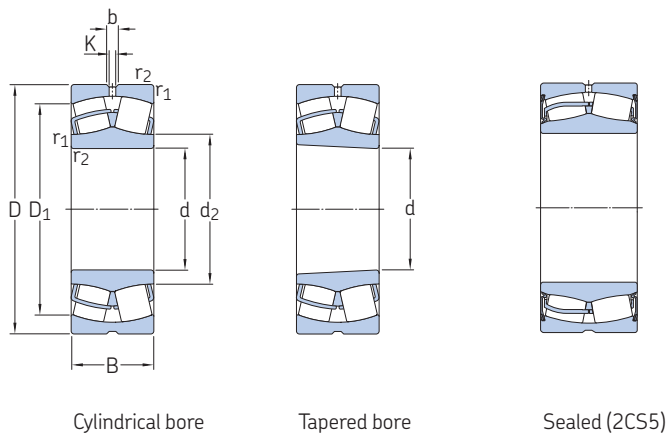
Dimensions					Abutment and fillet dimensions					Calculation factors				Permissible acceleration for oil lubrication ¹⁾	
d	d ₂	D ₁	b	K	r _{1,2}	d _a min.	d _a max.	D _a max.	r _a max.	e	Y ₁	Y ₂	Y ₀	rotational	linear
mm					mm					-				m/s ²	
130	148	180	8,3	4,5	2	139	-	191	2	0,23	2,9	4,4	2,8	-	-
	145	186	8,3	4,5	2	139	145	191	2	0,21	3,2	4,8	3,2	-	-
	145	175	6	3	2	139	-	191	2	0,31	2,2	3,3	2,2	-	-
	140	183	6	3	2	139	140	191	2	0,3	2,3	3,4	2,2	-	-
	148	184	8,3	4,5	2	141	-	199	2	0,28	2,4	3,6	2,5	-	-
	146	180	6	3	2	141	-	199	2	0,35	1,9	2,9	1,8	-	-
	141	190	6	3	2	141	141	199	2	0,33	2	3	2	-	-
	154	190	-	-	2,1	142	-	208	2	0,31	2,2	3,3	2,2	-	-
	152	201	11,1	6	3	144	-	216	2,5	0,27	2,5	3,7	2,5	-	-
	147	205	11,1	6	3	144	147	216	2,5	0,27	2,5	3,7	2,5	-	-
	151	196	8,3	4,5	3	144	-	216	2,5	0,33	2	3	2	-	-
	147	209	8,3	4,5	3	144	147	216	2,5	0,31	2,2	3,3	2,2	-	-
164	233	16,7	9	4	147	-	263	3	0,35	1,9	2,9	1,8	-	-	
164	233	16,7	9	4	147	-	263	3	0,35	1,9	2,9	1,8	87 g	20 g	
164	233	16,7	9	4	147	-	263	3	0,35	1,9	2,9	1,8	87 g	20 g	
159	246	16,7	9	4	147	159	263	3	0,33	2	3	2	-	-	
140	155	197	8,3	4,5	2	149	155	201	2	0,2	3,4	5	3,2	-	-
	158	190	8,3	4,5	2	149	-	201	2	0,22	3	4,6	2,8	-	-
	155	185	6	3	2	149	-	201	2	0,3	2,3	3,4	2,2	-	-
	151	195	6	3	2	149	151	201	2	0,28	2,4	3,6	2,5	-	-
	159	197	8,3	4,5	2,1	152	-	213	2	0,28	2,4	3,6	2,5	-	-
	156	193	8,3	4,5	2,1	152	-	213	2	0,35	1,9	2,9	1,8	-	-
	153	203	8,3	4,5	2,1	152	153	213	2	0,35	1,9	2,9	1,8	-	-
	166	216	11,1	6	3	154	-	236	2,5	0,26	2,6	3,9	2,5	-	-
	161	225	11,1	6	3	154	161	236	2,5	0,24	2,8	4,2	2,8	-	-
	165	212	11,1	6	3	154	-	236	2,5	0,33	2	3	2	-	-
	161	225	11,1	6	3	154	161	236	2,5	0,33	2	3	2	-	-
	175	247	16,7	9	4	157	-	283	3	0,35	1,9	2,9	1,8	-	-
175	247	16,7	9	4	157	-	283	3	0,35	1,9	2,9	1,8	78 g	20 g	
175	247	16,7	9	4	157	-	283	3	0,35	1,9	2,9	1,8	78 g	20 g	
169	261	16,7	9	4	157	169	283	3	0,33	2	3	2	-	-	

¹⁾ For details about permissible accelerations → [page 779](#)

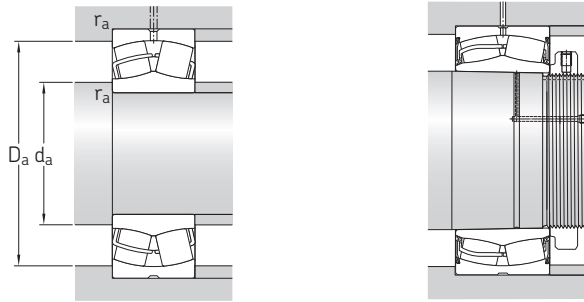


9.1 Spherical roller bearings

d 150 – 160 mm



Principal dimensions			Basic load ratings		Fatigue load limit P_u	Speed ratings		Mass	Designations	
d	D	B	C	C_0		Reference speed	Limiting speed		Bearing with cylindrical bore	tapered bore
mm			kN		kN	r/min	kg	–		
150	225	56	531	750	73,5	2 400	3 200	7,95	▶ 23030 CC/W33	▶ 23030 CCK/W33
	225	56	532	750	73,5	–	670	7,95	▶ 23030-2CS5/VT143	▶ 23030-2CS5K/VT143
	225	75	680	1 040	100	1 800	2 600	10,5	▶ 24030 CC/W33	▶ 24030 CCK30/W33
	225	75	681	1 040	100	–	530	10,5	▶ 24030-2CS5/VT143	–
	250	80	883	1 200	114	2 000	2 600	16	▶ 23130 CC/W33	▶ 23130 CCK/W33
	250	80	884	1 200	114	–	560	16	▶ 23130-2CS5/VT143	▶ 23130-2CS5K/VT143
	250	100	1 054	1 530	146	1 400	2 000	20	▶ 24130 CC/W33	▶ 24130 CCK30/W33
	250	100	1 056	1 530	146	–	400	20	▶ 24130-2CS5/VT143	▶ 24130-2CS5K30/VT143
	270	73	898	1 080	102	2 200	3 000	18	▶ 22230 CC/W33	▶ 22230 CCK/W33
	270	73	899	1 080	102	–	630	18	▶ 22230-2CS5/VT143	▶ 22230-2CS5K/VT143
	270	96	1 129	1 460	137	1 600	2 200	24,5	▶ 23230 CC/W33	▶ 23230 CCK/W33
	270	96	1 132	1 460	137	–	430	24,5	▶ 23230-2CS5/VT143	▶ 23230-2CS5K/VT143
160	320	108	1 539	1 760	146	1 600	2 000	43,5	▶ 22330 CC/W33	▶ 22330 CCK/W33
	320	108	1 539	1 760	146	1 600	2 000	43,5	▶ 22330 CCJA/W33VA405	▶ 22330 CCKJA/W33VA405
	320	108	1 539	1 760	146	1 600	2 000	43,5	▶ 22330 CCJA/W33VA406	–
	320	108	1 541	1 760	146	–	400	43,5	▶ 22330-2CS5/VT143	▶ 22330-2CS5K/VT143
	240	60	614	880	83	2 400	3 000	9,7	▶ 23032 CC/W33	▶ 23032 CCK/W33
	240	60	615	880	83	–	670	9,7	▶ 23032-2CS5/VT143	▶ 23032-2CS5K/VT143
	240	80	783	1 200	114	1 700	2 400	13	▶ 24032 CC/W33	▶ 24032 CCK30/W33
	240	80	784	1 200	114	–	450	13	▶ 24032-2CS5/VT143	–
	270	86	1 029	1 370	129	1 900	2 400	20,5	▶ 23132 CC/W33	▶ 23132 CCK/W33
	270	86	1 030	1 400	129	–	530	20,5	▶ 23132-2CS5/VT143	▶ 23132-2CS5K/VT143
	270	109	1 227	1 760	163	1 300	1 900	25	▶ 24132 CC/W33	▶ 24132 CCK30/W33
	270	109	1 229	1 760	163	–	380	25	▶ 24132-2CS5/VT143	–
290	80	1 043	1 290	118	2 000	2 800	22,5	▶ 22232 CC/W33	▶ 22232 CCK/W33	
290	80	1 044	1 290	118	–	600	22,5	▶ 22232-2CS5/VT143	▶ 22232-2CS5K/VT143	
290	104	1 281	1 660	153	1 500	2 200	31	▶ 23232 CC/W33	▶ 23232 CCK/W33	
340	114	1 680	1 960	160	1 500	1 900	52	▶ 22332 CC/W33	▶ 22332 CCK/W33	
340	114	1 680	1 960	160	1 500	1 900	52	▶ 22332 CCJA/W33VA405	▶ 22332 CCKJA/W33VA405	
340	114	1 680	1 960	160	1 500	1 900	52	▶ 22332 CCJA/W33VA406	–	
340	114	1 683	1 960	160	–	380	52	▶ 22332-2CS5/VT143	▶ 22332-2CS5K/VT143	



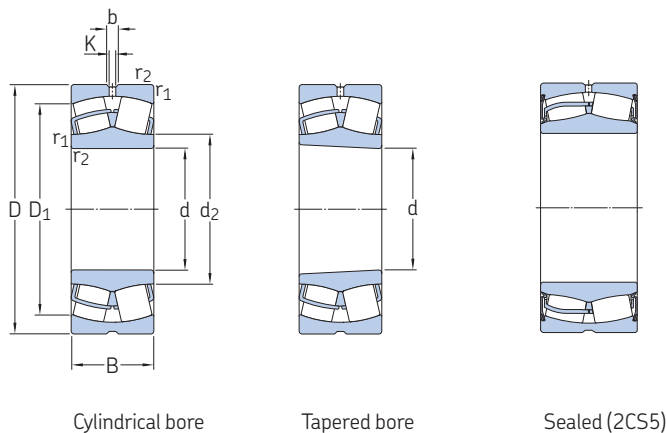
Dimensions					Abutment and fillet dimensions					Calculation factors				Permissible acceleration for oil lubrication ¹⁾	
d	d ₂ ≈	D ₁ ≈	b	K	r _{1,2} min.	d _a min.	d _a max.	D _a max.	r _a max.	e	Y ₁	Y ₂	Y ₀	rota- tional	linear
mm						mm				-				m/s ²	
150	169	203	8,3	4,5	2,1	161	-	214	2	0,22	3	4,6	2,8	-	-
	165	211	8,3	4,5	2,1	161	165	214	2	0,2	3,4	5	3,2	-	-
	165	197	6	3	2,1	161	-	214	2	0,3	2,3	3,4	2,2	-	-
	162	206	6	3	2,1	161	162	214	2	0,28	2,4	3,6	2,5	-	-
	172	216	11,1	6	2,1	162	-	238	2	0,3	2,3	3,4	2,2	-	-
	168	226	11,1	6	2,1	162	168	238	2	0,28	2,4	3,6	2,5	-	-
	169	211	8,3	4,5	2,1	162	-	238	2	0,37	1,8	2,7	1,8	-	-
	163	222	8,3	4,5	2,1	162	163	238	2	0,37	1,8	2,7	1,8	-	-
	178	234	13,9	7,5	3	164	-	256	2,5	0,26	2,6	3,9	2,5	-	-
	174	248	13,9	7,5	3	164	174	256	2,5	0,24	2,8	4,2	2,8	-	-
	175	228	11,1	6	3	164	-	256	2,5	0,35	1,9	2,9	1,8	-	-
	171	243	11,1	6	3	164	171	256	2,5	0,33	2	3	2	-	-
188	266	16,7	9	4	167	-	303	3	0,35	1,9	2,9	1,8	-	-	
188	266	16,7	9	4	167	-	303	3	0,35	1,9	2,9	1,8	72 g	19 g	
188	266	16,7	9	4	167	-	303	3	0,35	1,9	2,9	1,8	72 g	19 g	
181	281	16,7	9	4	167	181	303	3	0,33	2	3	2	-	-	
160	180	217	11,1	6	2,1	171	-	229	2	0,22	3	4,6	2,8	-	-
	177	225	11,1	6	2,1	171	177	229	2	0,2	3,4	5	3,2	-	-
	176	211	8,3	4,5	2,1	171	-	229	2	0,3	2,3	3,4	2,2	-	-
	173	218	8,3	4,5	2,1	171	173	229	2	0,28	2,4	3,6	2,5	-	-
	184	234	13,9	7,5	2,1	172	-	258	2	0,3	2,3	3,4	2,2	-	-
	180	244	13,9	7,5	2,1	172	180	258	2	0,28	2,4	3,6	2,5	-	-
	181	228	8,3	4,5	2,1	172	-	258	2	0,4	1,7	2,5	1,6	-	-
	176	239	8,3	4,5	2,1	172	176	258	2	0,37	1,8	2,7	1,8	-	-
	191	250	13,9	7,5	3	174	-	276	2,5	0,26	2,6	3,9	2,5	-	-
	185	264	13,9	7,5	3	174	185	276	2,5	0,25	2,7	4	2,5	-	-
	188	244	13,9	7,5	3	174	-	276	2,5	0,35	1,9	2,9	1,8	-	-
	200	282	16,7	9	4	177	-	323	3	0,35	1,9	2,9	1,8	-	-
200	282	16,7	9	4	177	-	323	3	0,35	1,9	2,9	1,8	69 g	18 g	
193	296	16,7	9	4	177	193	323	3	0,33	2	3	2	-	-	

¹⁾ For details about permissible accelerations → [page 779](#)



9.1 Spherical roller bearings

d 170 – 180 mm

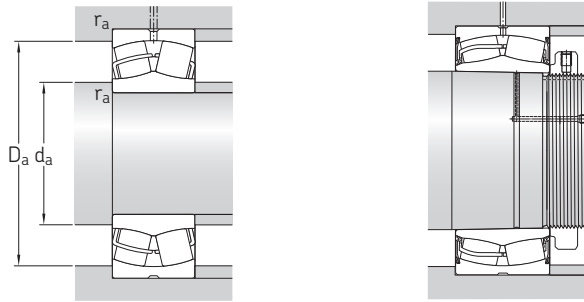


Cylindrical bore

Tapered bore

Sealed (2CS5)

Principal dimensions			Basic load ratings		Fatigue load limit P_u	Speed ratings		Mass	Designations	
d	D	B	dynamic C	static C_0		Reference speed	Limiting speed		Bearing with cylindrical bore	tapered bore
mm			kN		kN	r/min	kg	–		
170	260	67	745	1 060	100	2 200	2 800	13	▶ 23034 CC/W33	▶ 23034 CCK/W33
	260	67	746	1 080	100	–	630	13	▶ 23034-2CS5/VT143	▶ 23034-2CS5K/VT143
	260	90	963	1 460	137	1 600	2 400	17,5	▶ 24034 CC/W33	▶ 24034 CCK30/W33
	260	90	966	1 500	137	–	400	17,5	▶ 24034-2CS5/VT143	–
	280	88	1 086	1 500	137	1 800	2 400	22	▶ 23134 CC/W33	▶ 23134 CCK/W33
	280	88	1 088	1 500	137	–	480	22	▶ 23134-2CS5/VT143	▶ 23134-2CS5K/VT143
	280	109	1 270	1 860	170	1 200	1 800	27,5	▶ 24134 CC/W33	▶ 24134 CCK30/W33
	280	109	1 273	1 860	170	–	360	27,5	▶ 24134-2CS5/VT143	–
	310	86	1 183	1 460	132	1 900	2 600	28,5	▶ 22234 CC/W33	▶ 22234 CCK/W33
	310	86	1 185	1 460	134	–	500	28,5	▶ 22234-2CS5/VT143	▶ 22234-2CS5K/VT143
	310	110	1 472	1 930	173	1 400	2 000	37,5	▶ 23234 CC/W33	▶ 23234 CCK/W33
	360	120	1 863	2 160	176	1 400	1 800	61	▶ 22334 CC/W33	▶ 22334 CCK/W33
	360	120	1 863	2 160	176	1 400	1 800	61	▶ 22334 CCJA/W33VA405	22334 CCKJA/W33VA405
	360	120	1 863	2 160	176	1 400	1 800	61	22334 CCJA/W33VA406	–
180	250	52	519	830	76,5	2 600	2 800	7,9	▶ 23936 CC/W33	23936 CCK/W33
	280	74	883	1 250	114	2 000	2 600	17	▶ 23036 CC/W33	▶ 23036 CCK/W33
	280	74	884	1 270	114	–	560	17	▶ 23036-2CS5/VT143	▶ 23036-2CS5K/VT143
	280	100	1 134	1 730	156	1 500	2 200	23	▶ 24036 CC/W33	24036 CCK30/W33
	280	100	1 136	1 730	156	–	380	23	▶ 24036-2CS5/VT143	–
	300	96	1 263	1 760	160	1 700	2 200	28	▶ 23136 CC/W33	▶ 23136 CCK/W33
	300	96	1 264	1 800	160	–	430	28	▶ 23136-2CS5/VT143	▶ 23136-2CS5K/VT143
	300	118	1 449	2 160	196	1 100	1 600	34,5	▶ 24136 CC/W33	▶ 24136 CCK30/W33
	300	118	1 452	2 160	196	–	360	34,5	▶ 24136-2CS5/VT143	–
	320	86	1 237	1 560	140	1 800	2 600	29,5	▶ 22236 CC/W33	▶ 22236 CCK/W33
	320	86	1 239	1 560	140	–	530	29	▶ 22236-2CS5/VT143	▶ 22236-2CS5K/VT143
	320	112	1 557	2 120	186	1 300	1 900	39,5	▶ 23236 CC/W33	▶ 23236 CCK/W33
	380	126	2 077	2 450	193	1 300	1 700	71,5	▶ 22336 CC/W33	▶ 22336 CCK/W33
	380	126	2 077	2 450	193	1 300	1 700	71,5	▶ 22336 CCJA/W33VA405	22336 CCKJA/W33VA405
380	126	2 077	2 450	193	1 300	1 700	71,5	22336 CCJA/W33VA406	–	



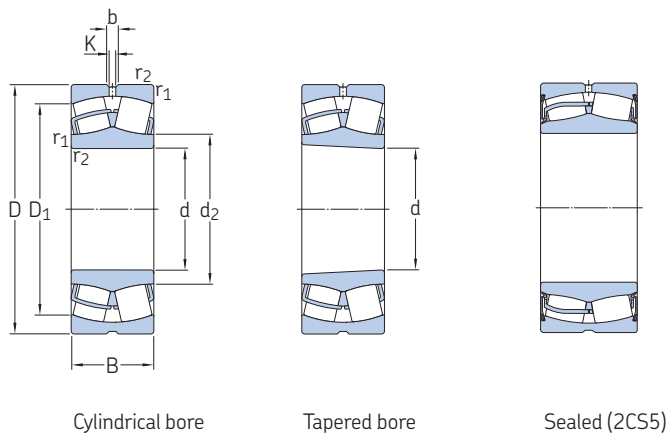
Dimensions					Abutment and fillet dimensions					Calculation factors				Permissible acceleration for oil lubrication ¹⁾	
d	d ₂	D ₁	b	K	r _{1,2}	d _a min.	d _a max.	D _a max.	r _a max.	e	Y ₁	Y ₂	Y ₀	rotational	linear
mm					mm					-				m/s ²	
170	191	232	11,1	6	2,1	181	-	249	2	0,23	2,9	4,4	2,8	-	-
	188	243	11,1	6	2,1	181	188	249	2	0,22	3	4,6	2,8	-	-
	188	226	8,3	4,5	2,1	181	-	249	2	0,33	2	3	2	-	-
	184	235	8,3	4,5	2,1	181	184	249	2	0,3	2,3	3,4	2,2	-	-
	195	244	13,9	7,5	2,1	182	-	268	2	0,3	2,3	3,4	2,2	-	-
	190	256	13,9	7,5	2,1	182	190	268	2	0,28	2,4	3,6	2,5	-	-
	190	237	8,3	4,5	2,1	182	-	268	2	0,37	1,8	2,7	1,8	-	-
	185	248	8,3	4,5	2,1	182	185	268	2	0,35	1,9	2,9	1,8	-	-
	203	267	16,7	9	4	187	-	293	3	0,27	2,5	3,7	2,5	-	-
	198	282	16,7	9	4	187	198	293	3	0,25	2,7	4	2,5	-	-
	200	261	13,9	7,5	4	187	-	293	3	0,35	1,9	2,9	1,8	-	-
	213	300	16,7	9	4	187	-	343	3	0,33	2	3	2	-	-
	213	300	16,7	9	4	187	-	343	3	0,33	2	3	2	65 g	18 g
	213	300	16,7	9	4	187	-	343	3	0,33	2	3	2	65 g	18 g
	180	199	231	6	3	2	189	-	241	2	0,18	3,8	5,6	3,6	-
204		249	13,9	7,5	2,1	191	-	269	2	0,24	2,8	4,2	2,8	-	-
199		262	13,9	7,5	2,1	191	199	269	2	0,22	3	4,6	2,8	-	-
201		243	8,3	4,5	2,1	191	-	269	2	0,33	2	3	2	-	-
194		251	8,3	4,5	2,1	191	194	269	2	0,31	2,2	3,3	2,2	-	-
207		259	13,9	7,5	3	194	-	286	2,5	0,3	2,3	3,4	2,2	-	-
202		272	13,9	7,5	3	194	202	286	2,5	0,28	2,4	3,6	2,5	-	-
203		253	11,1	6	3	194	-	286	2,5	0,37	1,8	2,7	1,8	-	-
198		266	11,1	6	3	194	198	286	2,5	0,37	1,8	2,7	1,8	-	-
213		278	16,7	9	4	197	-	303	3	0,26	2,6	3,9	2,5	-	-
208		289	16,7	9	4	197	208	303	3	0,24	2,8	4,2	2,8	-	-
211		271	13,9	7,5	4	197	-	303	3	0,35	1,9	2,9	1,8	-	-
224		317	22,3	12	4	197	-	363	3	0,35	1,9	2,9	1,8	-	-
224		317	22,3	12	4	197	-	363	3	0,35	1,9	2,9	1,8	59 g	17 g
224		317	22,3	12	4	197	-	363	3	0,35	1,9	2,9	1,8	59 g	17 g



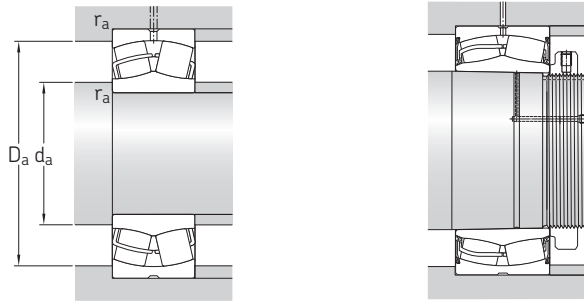
¹⁾ For details about permissible accelerations → [page 779](#)

9.1 Spherical roller bearings

d 190 – 200 mm



Principal dimensions			Basic load ratings		Fatigue load limit P_u	Speed ratings		Mass	Designations	
d	D	B	dynamic C	static C_0		Reference speed	Limiting speed		Bearing with cylindrical bore	tapered bore
mm			kN		kN	r/min	kg	–		
190	260	52	499	800	76,5	2 400	2 600	8,3	▶ 23938 CC/W33	23938 CCK/W33
	290	75	916	1 340	122	1 900	2 400	18	▶ 23038 CC/W33	▶ 23038 CCK/W33
	290	100	1 164	1 800	163	1 400	2 000	24,5	▶ 24038 CC/W33	▶ 24038 CCK30/W33
	320	104	1 456	2 080	183	1 500	2 000	35	▶ 23138 CC/W33	▶ 23138 CCK/W33
	320	104	1 458	2 080	183	–	400	35	▶ 23138-2CS5/VT143	▶ 23138-2CS5K/VT143
	320	128	1 652	2 500	212	1 100	1 500	43	▶ 24138 CC/W33	▶ 24138 CCK30/W33
	320	128	1 655	2 500	212	–	340	43	▶ 24138-2CS5/VT143	–
	340	92	1 342	1 700	150	1 700	2 400	36,5	▶ 22238 CC/W33	▶ 22238 CCK/W33
	340	92	1 345	1 700	150	–	480	35	▶ 22238-2CS5/VT143	▶ 22238-2CS5K/VT143
	340	120	1 759	2 400	208	1 300	1 800	48	▶ 23238 CC/W33	▶ 23238 CCK/W33
	400	132	2 232	2 650	208	1 200	1 600	82,5	▶ 22338 CC/W33	▶ 22338 CCK/W33
	400	132	2 232	2 650	208	1 200	1 600	82,5	▶ 22338 CCJA/W33VA405	▶ 22338 CCKJA/W33VA405
	400	132	2 232	2 650	208	1 200	1 600	82,5	22338 CCJA/W33VA406	–
	400	132	2 236	2 650	208	–	340	77,5	22338-2CS5/VT143	–
200	280	60	651	1 040	93	2 200	2 400	11,5	▶ 23940 CC/W33	23940 CCK/W33
	310	82	1 058	1 530	137	1 800	2 200	23,5	▶ 23040 CC/W33	▶ 23040 CCK/W33
	310	82	1 059	1 530	137	–	480	22	▶ 23040-2CS5/VT143	▶ 23040-2CS5K/VT143
	310	109	1 353	2 120	186	1 300	1 900	31	▶ 24040 CC/W33	▶ 24040 CCK30/W33
	340	112	1 665	2 360	204	1 500	1 900	43	▶ 23140 CC/W33	▶ 23140 CCK/W33
	340	112	1 668	2 360	204	–	380	43	▶ 23140-2CS5/VT143	▶ 23140-2CS5K/VT143
	340	140	1 865	2 800	232	1 000	1 400	53,5	▶ 24140 CC/W33	▶ 24140 CCK30/W33
	340	140	1 871	2 800	232	–	320	53,5	▶ 24140-2CS5/VT143	–
	360	98	1 526	1 930	166	1 600	2 200	43,5	▶ 22240 CC/W33	▶ 22240 CCK/W33
	360	98	1 529	1 930	166	–	430	42	▶ 22240-2CS5/VT143	▶ 22240-2CS5K/VT143
	360	128	1 947	2 700	228	1 200	1 700	58	▶ 23240 CC/W33	▶ 23240 CCK/W33
	360	128	1 950	2 700	232	–	340	58	▶ 23240-2CS5/VT143	▶ 23240-2CS5K/VT143
	420	138	2 439	2 900	224	1 200	1 500	95	▶ 22340 CC/W33	▶ 22340 CCK/W33
	420	138	2 439	2 900	224	1 200	1 500	95	▶ 22340 CCJA/W33VA405	▶ 22340 CCKJA/W33VA405
420	138	2 439	2 900	224	1 200	1 500	95	22340 CCJA/W33VA406	–	



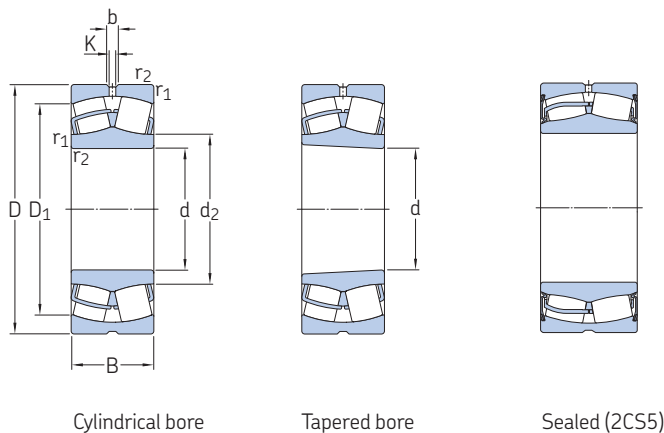
Dimensions			Abutment and fillet dimensions				Calculation factors				Permissible acceleration for oil lubrication ¹⁾				
d	d ₂	D ₁	b	K	r _{1,2} min.	d _a min.	d _a max.	D _a max.	r _a max.	e	Y ₁	Y ₂	Y ₀	rota- tional	linear
mm						mm				-				m/s ²	
190	209	240	6	3	2	199	-	251	2	0,16	4,2	6,3	4	-	-
	216	261	13,9	7,5	2,1	201	-	279	2	0,23	2,9	4,4	2,8	-	-
	210	253	8,3	4,5	2,1	201	-	279	2	0,31	2,2	3,3	2,2	-	-
	220	275	13,9	7,5	3	204	-	306	2,5	0,31	2,2	3,3	2,2	-	-
	215	288	13,9	7,5	3	204	215	306	2,5	0,3	2,3	3,4	2,2	-	-
	215	268	11,1	6	3	204	-	306	2,5	0,4	1,7	2,5	1,6	-	-
	210	282	11,1	6	3	204	210	306	2,5	0,37	1,8	2,7	1,8	-	-
	225	294	16,7	9	4	207	-	323	3	0,26	2,6	3,9	2,5	-	-
	220	306	16,7	9	4	207	220	323	3	0,24	2,8	4,2	2,8	-	-
	222	287	16,7	9	4	207	-	323	3	0,35	1,9	2,9	1,8	-	-
	236	333	22,3	12	5	210	-	380	4	0,35	1,9	2,9	1,8	-	-
	236	333	22,3	12	5	210	-	380	4	0,35	1,9	2,9	1,8	57 g	17 g
236	333	22,3	12	5	210	-	380	4	0,35	1,9	2,9	1,8	57 g	17 g	
228	352	22,3	12	5	210	228	380	4	0,33	2	3	2	-	-	
200	222	258	8,3	4,5	2,1	211	-	269	2	0,19	3,6	5,3	3,6	-	-
	228	278	13,9	7,5	2,1	211	-	299	2	0,24	2,8	4,2	2,8	-	-
	223	286	13,9	7,5	2,1	211	223	299	2	0,22	3	4,6	2,8	-	-
	223	268	11,1	6	2,1	211	-	299	2	0,33	2	3	2	-	-
	231	293	16,7	9	3	214	-	326	2,5	0,31	2,2	3,3	2,2	-	-
	227	306	16,7	9	3	214	227	326	2,5	0,3	2,3	3,4	2,2	-	-
	226	284	11,1	6	3	214	-	326	2,5	0,4	1,7	2,5	1,6	-	-
	221	294	11,1	6	3	214	221	326	2,5	0,37	1,8	2,7	1,8	-	-
	238	313	16,7	9	4	217	-	343	3	0,26	2,6	3,9	2,5	-	-
	232	324	16,7	9	4	217	232	343	3	0,24	2,8	4,2	2,8	-	-
	235	304	16,7	9	4	217	-	343	3	0,35	1,9	2,9	1,8	-	-
	230	320	16,7	9	4	217	230	343	3	0,33	2	3	2	-	-
249	351	22,3	12	5	220	-	400	4	0,33	2	3	2	-	-	
249	351	22,3	12	5	220	-	400	4	0,33	2	3	2	55 g	17 g	
249	351	22,3	12	5	220	-	400	4	0,33	2	3	2	55 g	17 g	



¹⁾ For details about permissible accelerations → [page 779](#)

9.1 Spherical roller bearings

d 220 – 260 mm



Cylindrical bore

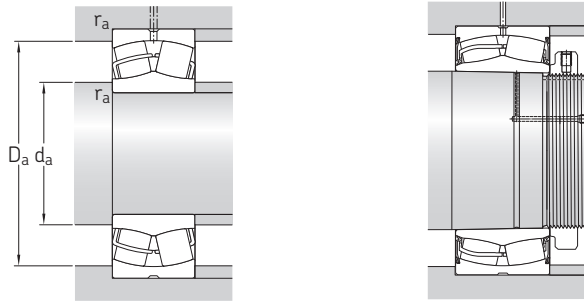
Tapered bore

Sealed (2CS5)

Principal dimensions			Basic load ratings		Fatigue load limit P_u	Speed ratings		Mass	Designations		
d	D	B	dynamic C	static C_0		Reference speed	Limiting speed		Bearing with cylindrical bore	tapered bore	
mm			kN		kN	r/min		kg	–		
220	300	60	661	1 080	93	2 000	2 200	12,5	▶ 23944 CC/W33	23944 CCK/W33	
	300	60	662	1 080	93	–	600	12,5	▶ 23944-2CS/VT143	–	
	340	90	1 261	1 860	163	1 600	2 000	30,5	▶ 23044 CC/W33	▶ 23044 CCK/W33	
	340	90	1 262	1 860	163	–	430	29	▶ 23044-2CS5/VT143	▶ 23044-2CS5K/VT143	
	340	118	1 628	2 600	212	1 200	1 700	40	▶ 24044 CC/W33	▶ 24044 CCK30/W33	
	370	120	1 888	2 750	232	1 300	1 700	53,5	▶ 23144 CC/W33	▶ 23144 CCK/W33	
	370	120	1 891	2 750	232	–	360	53,5	▶ 23144-2CS5/VT143	▶ 23144-2CS5K/VT143	
	370	150	2 197	3 350	285	850	1 200	67	▶ 24144 CC/W33	▶ 24144 CCK30/W33	
	400	108	1 835	2 360	196	1 500	2 000	60,5	▶ 22244 CC/W33	▶ 22244 CCK/W33	
	400	108	1 839	2 360	200	–	380	58	▶ 22244-2CS5/VT143	▶ 22244-2CS5K/VT143	
	400	144	2 485	3 450	285	1 100	1 500	81,5	▶ 23244 CC/W33	▶ 23244 CCK/W33	
	460	145	2 839	3 450	260	1 000	1 400	120	▶ 22344 CC/W33	▶ 22344 CCK/W33	
	460	145	2 839	3 450	260	1 000	1 400	120	▶ 22344 CCJA/W33VA405	22344 CCKJA/W33VA405	
	460	145	2 844	3 450	260	–	300	115	▶ 22344-2CS5/VT143	▶ 22344-2CS5K/VT143	
240	320	60	685	1 160	98	1 900	2 000	13,5	▶ 23948 CC/W33	23948 CCK/W33	
	360	92	1 340	2 080	176	1 500	1 900	33,5	▶ 23048 CC/W33	▶ 23048 CCK/W33	
	360	92	1 341	2 080	176	–	400	32	▶ 23048-2CS5/VT143	23048-2CS5K/VT143	
	360	118	1 663	2 700	228	1 100	1 600	43	▶ 24048 CC/W33	24048 CCK30/W33	
	400	128	2 187	3 200	255	1 200	1 600	66,5	▶ 23148 CC/W33	▶ 23148 CCK/W33	
	400	128	2 191	3 200	255	–	340	66,5	▶ 23148-2CS5/VT143	▶ 23148-2CS5K/VT143	
	400	160	2 489	3 900	320	750	1 100	83	▶ 24148 CC/W33	▶ 24148 CCK30/W33	
	440	120	2 258	3 000	245	1 300	1 800	83	▶ 22248 CC/W33	▶ 22248 CCK/W33	
	440	160	3 042	4 300	345	950	1 300	110	▶ 23248 CC/W33	▶ 23248 CCK/W33	
	500	155	3 229	4 000	290	950	1 300	155	▶ 22348 CC/W33	▶ 22348 CCK/W33	
	500	155	3 229	4 000	290	950	1 300	155	22348 CCJA/W33VA405	22348 CCKJA/W33VA405	
	260	360	75	1 055	1 800	156	1 700	1 900	23,5	▶ 23952 CC/W33	23952 CCK/W33
		400	104	1 675	2 550	212	1 300	1 700	48,5	▶ 23052 CC/W33	▶ 23052 CCK/W33
		400	104	1 677	2 550	212	–	360	46	▶ 23052-2CS5/VT143	▶ 23052-2CS5K/VT143
400		140	2 135	3 450	285	1 000	1 400	65,5	▶ 24052 CC/W33	▶ 24052 CCK30/W33	
440		144	2 664	3 900	290	1 100	1 400	90,5	▶ 23152 CC/W33	▶ 23152 CCK/W33	
440		144	2 668	3 900	290	–	320	90,5	▶ 23152-2CS5/VT143	▶ 23152-2CS5K/VT143	
440		180	3 086	4 800	380	670	950	110	▶ 24152 CC/W33	▶ 24152 CCK30/W33	
440		180	3 092	4 900	380	–	240	109	24152-2CS5/VT143	–	
480		130	2 722	3 550	285	1 200	1 600	110	▶ 22252 CC/W33	22252 CCK/W33	
480		174	3 395	4 750	360	850	1 200	140	▶ 23252 CC/W33	▶ 23252 CCK/W33	
540		165	3 680	4 550	325	850	1 100	190	▶ 22352 CC/W33	▶ 22352 CCK/W33	

SKF Explorer bearing

▶ Popular item



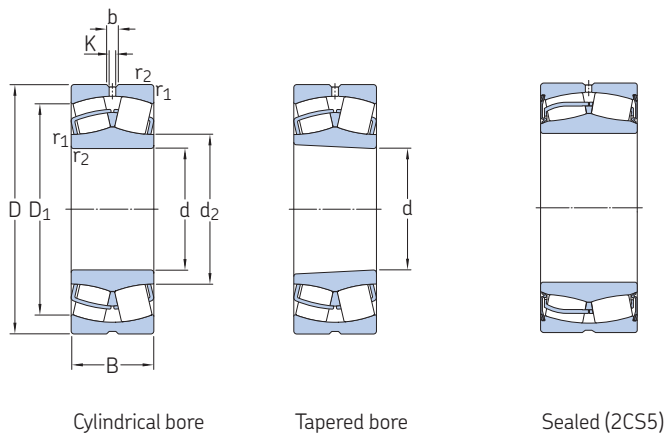
Dimensions					Abutment and fillet dimensions					Calculation factors				Permissible acceleration for oil lubrication ¹⁾	
d	d ₂	D ₁	b	K	r _{1,2}	d _a min.	d _a max.	D _a max.	r _a max.	e	Y ₁	Y ₂	Y ₀	rotational	linear
mm						mm				-				m/s ²	
220	241	278	8,3	4,5	2,1	231	-	289	2	0,16	4,2	6,3	4	-	-
	238	284	8,3	4,5	2,1	231	238	289	2	0,15	4,5	6,7	4,5	-	-
	250	306	13,9	7,5	3	233	-	327	2,5	0,24	2,8	4,2	2,8	-	-
	245	314	13,9	7,5	3	233	245	327	2,5	0,22	3	4,6	2,8	-	-
	244	295	11,1	6	3	233	-	327	2,5	0,33	2	3	2	-	-
	255	320	16,7	9	4	237	-	353	3	0,3	2,3	3,4	2,2	-	-
	249	332	16,7	9	4	237	249	353	3	0,28	2,4	3,6	2,5	-	-
	248	310	11,1	6	4	237	-	353	3	0,4	1,7	2,5	1,6	-	-
	263	346	16,7	9	4	237	-	383	3	0,27	2,5	3,7	2,5	-	-
	257	359	16,7	9	4	237	257	383	3	0,25	2,7	4	2,5	-	-
	259	338	16,7	9	4	237	-	383	3	0,35	1,9	2,9	1,8	-	-
	279	389	22,3	12	5	240	-	440	4	0,31	2,2	3,3	2,2	-	-
279	389	22,3	12	5	240	-	440	4	0,31	2,2	3,3	2,2	49 g	16 g	
270	406	22,3	12	5	240	270	440	4	0,3	2,3	3,4	2,2	-	-	
240	261	298	8,3	4,5	2,1	251	-	309	2	0,15	4,5	6,7	4,5	-	-
	271	326	13,9	7,5	3	253	-	347	2,5	0,23	2,9	4,4	2,8	-	-
	265	333	13,9	7,5	3	253	265	347	2,5	0,21	3,2	4,8	3,2	-	-
	265	316	11,1	6	3	253	-	347	2,5	0,3	2,3	3,4	2,2	-	-
	277	348	16,7	9	4	257	-	383	3	0,3	2,3	3,4	2,2	-	-
	270	360	16,7	9	4	257	270	383	3	0,28	2,4	3,6	2,5	-	-
	271	336	11,1	6	4	257	-	383	3	0,4	1,7	2,5	1,6	-	-
	290	383	22,3	12	4	257	-	423	3	0,27	2,5	3,7	2,5	-	-
	286	374	22,3	12	4	257	-	423	3	0,35	1,9	2,9	1,8	-	-
	303	423	22,3	12	5	260	-	480	4	0,31	2,2	3,3	2,2	-	-
	303	423	22,3	12	5	260	-	480	4	0,31	2,2	3,3	2,2	45 g	15 g
	260	287	331	8,3	4,5	2,1	271	-	349	2	0,18	3,8	5,6	3,6	-
295		360	16,7	9	4	275	-	385	3	0,23	2,9	4,4	2,8	-	-
289		369	16,7	9	4	275	289	385	3	0,22	3	4,6	2,8	-	-
289		347	11,1	6	4	275	-	385	3	0,33	2	3	2	-	-
301		380	16,7	9	4	277	-	423	3	0,31	2,2	3,3	2,2	-	-
293		398	16,7	9	4	277	293	423	3	0,3	2,3	3,4	2,2	-	-
293		368	13,9	7,5	4	277	-	423	3	0,4	1,7	2,5	1,6	-	-
286		391	13,9	7,5	4	277	286	423	3	0,4	1,7	2,5	1,6	-	-
312		421	22,3	12	5	280	-	460	4	0,27	2,5	3,7	2,5	-	-
312		408	22,3	12	5	280	-	460	4	0,35	1,9	2,9	1,8	-	-
328		458	22,3	12	6	286	-	514	5	0,31	2,2	3,3	2,2	-	-

¹⁾ For details about permissible accelerations → [page 779](#)



9.1 Spherical roller bearings

d 280 – 320 mm

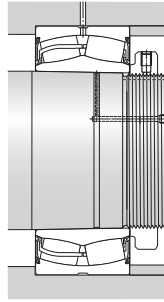
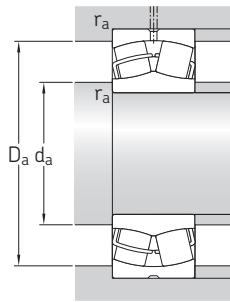


Cylindrical bore

Tapered bore

Sealed (2CS5)

Principal dimensions			Basic load ratings		Fatigue load limit P_u	Speed ratings		Mass	Designations	
d	D	B	dynamic C	static C_0		Reference speed	Limiting speed		Bearing with cylindrical bore	tapered bore
mm			kN		kN	r/min	kg	–		
280	380	75	1 016	1 760	143	1 600	1 700	25	▶ 23956 CC/W33	23956 CCK/W33
	420	106	1 797	2 850	224	1 300	1 600	52,5	▶ 23056 CC/W33	▶ 23056 CCK/W33
	420	140	2 248	3 800	285	950	1 400	69,5	▶ 24056 CC/W33	▶ 24056 CCK30/W33
	460	146	2 784	4 250	335	1 000	1 300	97	▶ 23156 CC/W33	▶ 23156 CCK/W33
	460	146	2 788	4 250	335	–	300	97	▶ 23156-2CS5/VT143	▶ 23156-2CS5K/VT143
	460	180	3 183	5 100	415	630	900	120	▶ 24156 CC/W33	▶ 24156 CCK30/W33
	460	180	3 190	5 100	415	–	220	115	24156-2CS5/VT143	24156-2CS5K30/VT143
	500	130	2 795	3 750	300	1 100	1 500	115	▶ 22256 CC/W33	22256 CCK/W33
	500	176	3 425	4 900	365	800	1 100	150	▶ 23256 CC/W33	▶ 23256 CCK/W33
	580	175	4 158	5 200	365	800	1 100	235	▶ 22356 CC/W33	▶ 22356 CCK/W33
300	420	90	1 413	2 500	200	1 400	1 600	39,5	▶ 23960 CC/W33	23960 CCK/W33
	460	118	2 219	3 450	265	1 200	1 500	71,5	▶ 23060 CC/W33	▶ 23060 CCK/W33
	460	118	2 222	3 450	265	–	320	71,5	23060-2CS5/VT143	23060-2CS5K/VT143
	460	160	2 821	4 750	355	850	1 200	97	▶ 24060 CC/W33	▶ 24060 CCK30/W33
	460	160	2 827	4 750	355	–	240	95	24060-2CS5/VT143	–
	500	160	3 368	5 100	380	950	1 200	125	▶ 23160 CC/W33	▶ 23160 CCK/W33
	500	160	3 373	5 100	380	–	260	125	▶ 23160-2CS5/VT143	▶ 23160-2CS5K/VT143
	500	200	3 876	6 300	465	560	800	160	▶ 24160 CC/W33	▶ 24160 CCK30/W33
	500	200	3 881	6 300	465	–	212	156	24160-2CS5/VT143	24160-2CS5K30/VT143
	540	140	3 239	4 250	325	1 000	1 400	135	▶ 22260 CC/W33	22260 CCK/W33
540	192	4 052	5 850	425	750	1 000	190	▶ 23260 CC/W33	▶ 23260 CCK/W33	
320	440	90	1 480	2 700	212	1 400	1 500	42	▶ 23964 CC/W33	23964 CCK/W33
	480	121	2 348	3 800	285	–	320	7,55	23064-2CS5/VT143	23064-2CS5K/VT143
	480	121	2 348	3 800	285	1 100	1 400	78	▶ 23064 CC/W33	▶ 23064 CCK/W33
	480	160	2 969	5 100	400	800	1 200	100	▶ 24064 CC/W33	24064 CCK30/W33
	540	176	3 923	6 000	440	850	1 100	165	▶ 23164 CC/W33	▶ 23164 CCK/W33
	540	176	3 929	6 100	440	–	260	165	▶ 23164-2CS5/VT143	▶ 23164-2CS5K/VT143
	540	218	4 395	7 100	510	500	700	210	▶ 24164 CC/W33	24164 CCK30/W33
	580	150	3 708	4 900	375	950	1 300	175	▶ 22264 CC/W33	22264 CCK/W33
	580	208	4 607	6 700	475	700	950	240	▶ 23264 CC/W33	▶ 23264 CCK/W33



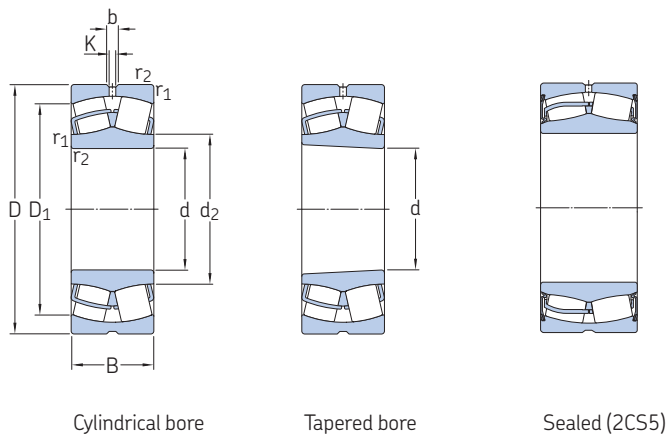
Dimensions			Abutment and fillet dimensions				Calculation factors				Permissible acceleration for oil lubrication ¹⁾				
d	d ₂ ≈	D ₁ ≈	b	K	r _{1,2} min.	d _a min.	d _a max.	D _a max.	r _a max.	e	Y ₁	Y ₂	Y ₀	rotational	linear
mm						mm				-			m/s ²		
280	308	352	11,1	6	2,1	291	-	369	2	0,16	4,2	6,3	4	-	-
	315	380	16,7	9	4	295	-	405	3	0,23	2,9	4,4	2,8	-	-
	309	368	11,1	6	4	295	-	405	3	0,31	2,2	3,3	2,2	-	-
	321	401	16,7	9	5	300	-	440	4	0,3	2,3	3,4	2,2	-	-
	314	417	16,7	9	5	300	314	440	4	0,28	2,4	3,6	2,5	-	-
	314	390	13,9	7,5	5	300	-	440	4	0,4	1,7	2,5	1,6	-	-
	307	413	13,9	7,5	5	300	307	440	4	0,37	1,8	2,7	1,8	-	-
	333	441	22,3	12	5	300	-	480	4	0,26	2,6	3,9	2,5	-	-
	332	429	22,3	12	5	300	-	480	4	0,35	1,9	2,9	1,8	-	-
	354	492	22,3	12	6	306	-	554	5	0,3	2,3	3,4	2,2	-	-
300	333	385	11,1	6	3	313	-	407	2,5	0,19	3,6	5,3	3,6	-	-
	340	414	16,7	9	4	315	-	445	3	0,23	2,9	4,4	2,8	-	-
	334	433	16,7	9	4	315	334	445	3	0,22	3	4,6	2,8	-	-
	331	400	13,9	7,5	4	315	-	445	3	0,33	2	3	2	-	-
	325	416	13,9	7,5	4	315	325	445	3	0,31	2,2	3,3	2,2	-	-
	345	434	16,7	9	5	320	-	480	4	0,3	2,3	3,4	2,2	-	-
	337	451	16,7	9	5	320	337	480	4	0,28	2,4	3,6	2,5	-	-
	338	422	13,9	7,5	5	320	-	480	4	0,4	1,7	2,5	1,6	-	-
	330	447	13,9	7,5	5	320	330	480	4	0,37	1,8	2,7	1,8	-	-
	354	477	22,3	12	5	311	-	520	4	0,26	2,6	3,9	2,5	-	-
356	461	22,3	12	5	320	-	520	4	0,35	1,9	2,9	1,8	-	-	
320	354	406	11,1	6	3	333	-	427	2,5	0,17	4	5,9	4	-	-
	354	448	16,7	9	4	335	354	465	3	0,23	2,9	4,4	2,8	-	-
	360	434	16,7	9	4	335	-	465	3	0,23	2,9	4,4	2,8	-	-
	354	423	13,9	7,5	4	335	-	465	3	0,31	2,2	3,3	2,2	-	-
	370	465	22,3	12	5	340	-	520	4	0,31	2,2	3,3	2,2	-	-
	361	483	22,3	12	5	340	361	520	4	0,3	2,3	3,4	2,2	-	-
	364	455	16,7	9	5	340	-	520	4	0,4	1,7	2,5	1,6	-	-
	379	513	22,3	12	5	340	-	560	4	0,26	2,6	3,9	2,5	-	-
	382	493	22,3	12	5	340	-	560	4	0,35	1,9	2,9	1,8	-	-

¹⁾ For details about permissible accelerations → [page 779](#)

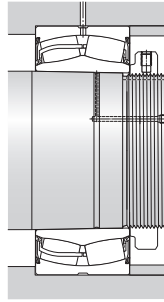
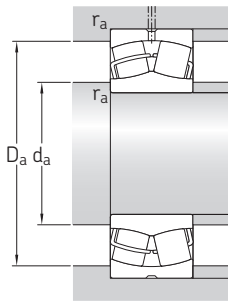


9.1 Spherical roller bearings

d 340 – 400 mm



Principal dimensions			Basic load ratings		Fatigue load limit P_u	Speed ratings		Mass	Designations	
d	D	B	C	C_0		Reference speed	Limiting speed		Bearing with cylindrical bore	tapered bore
mm			kN		kN	r/min	kg	–		
340	460	90	1 490	2 800	216	1 300	1 400	45,5	▶ 23968 CC/W33	▶ 23968 CCK/W33
	520	133	2 812	4 550	335	1 000	1 300	105	▶ 23068 CC/W33	▶ 23068 CCK/W33
	520	180	3 621	6 200	475	750	1 100	140	▶ 24068 CC/W33	▶ 24068 CCK30/W33
	580	190	4 445	6 800	480	800	1 000	210	▶ 23168 CC/W33	▶ 23168 CCK/W33
	580	190	4 452	6 800	490	–	240	210	▶ 23168-2CS5/VT143	▶ 23168-2CS5K/VT143
	580	243	5 487	8 650	630	430	630	280	▶ 24168 ECCJ/W33	▶ 24168 ECCK30J/W33
	620	224	5 362	7 800	550	560	800	295	▶ 23268 CA/W33	▶ 23268 CAK/W33
360	480	90	1 456	2 750	220	1 200	1 300	46	▶ 23972 CC/W33	▶ 23972 CCK/W33
	540	134	2 850	4 800	345	950	1 200	110	▶ 23072 CC/W33	▶ 23072 CCK/W33
	540	180	3 705	6 550	490	700	1 000	145	▶ 24072 CC/W33	▶ 24072 CCK30/W33
	600	192	4 515	6 950	490	750	1 000	220	▶ 23172 CC/W33	▶ 23172 CCK/W33
	600	192	4 521	6 950	490	–	220	214	▶ 23172-2CS5/VT143	▶ 23172-2CS5K/VT143
	600	243	5 737	9 300	670	400	600	280	▶ 24172 ECCJ/W33	▶ 24172 ECCK30J/W33
	650	170	4 430	6 200	440	630	850	255	▶ 22272 CA/W33	▶ 22272 CAK/W33
380	520	106	2 011	3 800	285	1 100	1 200	69	▶ 23976 CC/W33	▶ 23976 CCK/W33
	560	135	2 984	5 000	360	900	1 200	115	▶ 23076 CC/W33	▶ 23076 CCK/W33
	560	180	3 786	6 800	475	670	950	150	▶ 24076 CC/W33	▶ 24076 CCK30/W33
	620	194	4 561	7 100	500	–	160	232	▶ 23176-2CS5/VT143	▶ 23176-2CS5K/VT143
	620	194	4 561	7 100	500	560	1 000	230	▶ 23176 CA/W33	▶ 23176 CAK/W33
	620	243	5 936	9 800	710	360	530	300	▶ 24176 ECA/W33	▶ 24176 ECAK30/W33
	680	240	6 126	9 150	620	500	750	375	▶ 23276 CA/W33	▶ 23276 CAK/W33
400	540	106	2 038	3 900	290	1 100	1 200	71	▶ 23980 CC/W33	▶ 23980 CCK/W33
	600	148	3 511	5 850	415	850	1 100	150	▶ 23080 CC/W33	▶ 23080 CCK/W33
	600	148	3 515	5 850	415	–	240	144	▶ 23080-2CS5/VT143	▶ 23080-2CS5K/VT143
	600	200	4 507	8 000	560	630	900	205	▶ 24080 ECCJ/W33	▶ 24080 ECCK30J/W33
	650	200	4 864	7 650	530	–	150	255	▶ 23180-2CS5/VT143	▶ 23180-2CS5K/VT143
	650	200	4 864	7 650	530	530	950	265	▶ 23180 CA/W33	▶ 23180 CAK/W33
	650	250	6 331	10 600	735	340	500	340	▶ 24180 ECA/W33	▶ 24180 ECAK30/W33
720	256	6 881	10 400	680	480	670	450	▶ 23280 CA/W33	▶ 23280 CAK/W33	
820	243	7 832	10 400	670	430	750	650	▶ 22380 CA/W33	▶ 22380 CAK/W33	



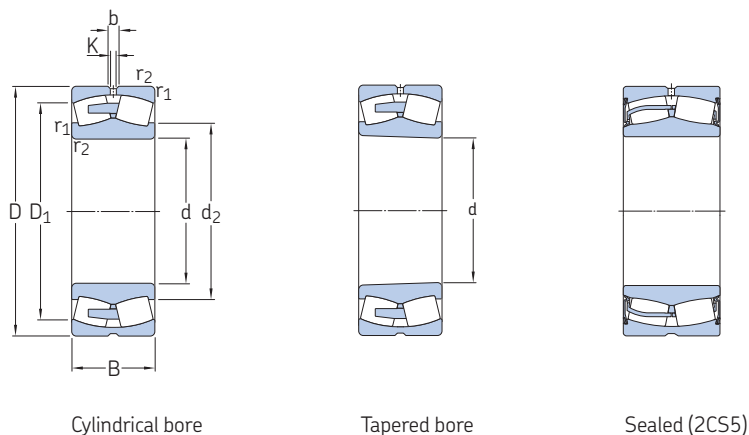
Dimensions			Abutment and fillet dimensions					Calculation factors				Permissible acceleration for oil lubrication ¹⁾			
d	d ₂ ≈	D ₁ ≈	b	K	r _{1,2} min.	d _a min.	d _a max.	D _a max.	r _a max.	e	Y ₁	Y ₂	Y ₀	rotational	linear
mm						mm				-			m/s ²		
340	373	426	11,1	6	3	353	-	447	2,5	0,17	4	5,9	4	-	-
	385	468	22,3	12	5	358	-	502	4	0,24	2,8	4,2	2,8	-	-
	377	453	16,7	9	5	358	-	502	4	0,33	2	3	2	-	-
	394	498	22,3	12	5	360	-	560	4	0,31	2,2	3,3	2,2	-	-
	385	515	22,3	12	5	360	385	560	4	0,3	2,3	3,4	2,2	-	-
	383	491	16,7	9	5	360	-	560	4	0,4	1,7	2,5	1,6	-	-
	427	528	22,3	12	6	366	-	594	5	0,35	1,9	2,9	1,8	-	-
360	394	447	11,1	6	3	373	-	467	2,5	0,15	4,5	6,7	4,5	-	-
	404	483	22,3	12	5	378	-	522	4	0,23	2,9	4,4	2,8	-	-
	397	474	16,7	9	5	378	-	522	4	0,31	2,2	3,3	2,2	-	-
	418	524	22,3	12	5	380	-	580	4	0,3	2,3	3,4	2,2	-	-
	408	541	22,3	12	5	380	408	580	4	0,28	2,4	3,6	2,5	-	-
	404	511	16,7	9	5	380	-	580	4	0,4	1,7	2,5	1,6	-	-
	454	568	22,3	12	6	386	-	624	5	0,26	2,6	3,9	2,5	-	-
	449	552	22,3	12	6	386	-	624	5	0,35	1,9	2,9	1,8	-	-
	429	581	22,3	12	6	386	429	624	5	0,35	1,9	2,9	1,8	-	-
380	419	481	13,9	7,5	4	395	-	505	3	0,17	4	5,9	4	-	-
	426	509	22,3	12	5	398	-	542	4	0,22	3	4,6	2,8	-	-
	419	497	16,7	9	5	398	-	542	4	0,3	2,3	3,4	2,2	-	-
	438	573	22,3	12	5	400	438	600	4	0,3	2,3	3,4	2,2	-	-
	454	541	22,3	12	5	400	-	600	4	0,3	2,3	3,4	2,2	-	-
	444	532	16,7	9	5	400	-	600	4	0,37	1,8	2,7	1,8	-	-
	473	581	22,3	12	6	406	-	654	5	0,35	1,9	2,9	1,8	-	-
400	439	500	13,9	7,5	4	415	-	525	3	0,16	4,2	6,3	4	-	-
	450	543	22,3	12	5	418	-	582	4	0,23	2,9	4,4	2,8	-	-
	443	557	22,3	12	5	418	443	582	4	0,21	3,2	4,8	3,2	-	-
	442	527	22,3	12	5	418	-	582	4	0,3	2,3	3,4	2,2	-	-
	458	587	22,3	12	6	426	458	624	5	0,28	2,4	3,6	2,5	-	-
	475	566	22,3	12	6	426	-	624	5	0,28	2,4	3,6	2,5	-	-
	467	559	22,3	12	6	426	-	624	5	0,37	1,8	2,7	1,8	-	-
	500	615	22,3	12	6	426	-	694	5	0,35	1,9	2,9	1,8	-	-
	534	697	22,3	12	7,5	432	-	788	6	0,3	2,3	3,4	2,2	-	-

¹⁾ For details about permissible accelerations → [page 779](#)



9.1 Spherical roller bearings

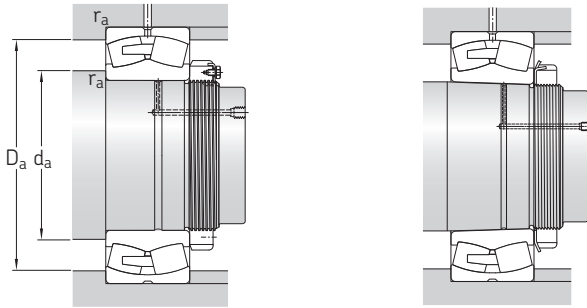
d 420 – 480 mm



Principal dimensions			Basic load ratings		Fatigue load limit P_u	Speed ratings		Mass kg	Designations		
d	D	B	dynamic C	static C_0		Reference speed	Limiting speed		Bearing with cylindrical bore	tapered bore	
mm			kN		kN	r/min		kg	–		
420	560	106	2 083	4 150	300	1 000	1 100	74,5	▶ 23984 CC/W33	23984 CCK/W33	
	620	150	3 541	6 000	415	600	1 100	155	▶ 23084 CA/W33	23084 CAK/W33	
	620	200	4 610	8 300	585	530	900	210	▶ 24084 ECA/W33	24084 ECAK30/W33	
	700	224	5 919	9 300	620	–	190	350	23184-2CS5/VT143	23184-2CS5K/VT143	
	700	224	5 919	9 300	620	480	900	350	▶ 23184 CJ/W33	▶ 23184 CKJ/W33	
	700	280	7 577	12 500	850	320	480	445	▶ 24184 ECA/W33	24184 ECAK30/W33	
	760	272	7 677	11 600	765	450	630	535	23284 CA/W33	23284 CAK/W33	
	760	272	7 683	11 600	765	–	128	535	23284-2CS5/VT143	23284-2CS5K/VT143	
	440	600	118	2 506	4 900	345	950	1 000	99,5	▶ 23988 CC/W33	23988 CCK/W33
		650	157	3 831	6 550	450	560	1 000	180	▶ 23088 CA/W33	▶ 23088 CAK/W33
650		157	3 834	6 550	450	–	190	178	23088-2CS5/VT143	–	
650		212	4 987	9 150	630	500	850	245	▶ 24088 ECA/W33	24088 ECAK30/W33	
720		226	6 215	10 000	670	450	850	360	▶ 23188 CA/W33	▶ 23188 CAK/W33	
720		226	6 220	10 000	670	–	180	360	23188-2CS5/VT143	23188-2CS5K/VT143	
720		280	7 777	13 200	900	300	450	460	24188 ECA/W33	24188 ECAK30/W33	
790		280	8 150	12 500	800	430	600	590	23288 CA/W33	23288 CAK/W33	
460		580	118	2 082	4 900	345	630	1 100	75,5	24892 CAMA/W20	24892 CAK30MA/W20
		620	118	2 558	5 000	355	600	1 000	105	▶ 23992 CA/W33	23992 CAK/W33
	680	163	4 065	6 950	465	560	950	205	▶ 23092 CA/W33	23092 CAK/W33	
	680	218	5 401	10 000	670	480	800	275	▶ 24092 ECA/W33	24092 ECAK30/W33	
	760	240	6 760	10 800	680	430	800	440	▶ 23192 CA/W33	23192 CAK/W33	
	760	240	6 765	10 800	680	–	128	427	▶ 23192-2CS5/VT143	23192-2CS5K/VT143	
	760	300	8 608	14 600	1 000	280	430	560	24192 ECA/W33	24192 ECAK30/W33	
	830	296	8 958	13 700	880	400	560	695	23292 CA/W33	23292 CAK/W33	
	480	650	128	2 990	5 700	405	560	1 000	125	▶ 23996 CA/W33	23996 CAK/W33
		700	165	3 996	6 800	450	530	950	215	▶ 23096 CA/W33	23096 CAK/W33
700		218	5 524	10 400	695	450	750	285	▶ 24096 ECA/W33	24096 ECAK30/W33	
790		248	7 362	12 000	780	400	750	485	23196 CA/W33	23196 CAK/W33	
790		248	7 367	12 000	780	–	170	485	23196-2CS5/VT143	23196-2CS5K/VT143	
790		308	9 198	15 600	1 040	260	400	605	24196 ECA/W33	24196 ECAK30/W33	
870		310	9 805	15 000	950	380	530	800	23296 CA/W33	23296 CAK/W33	

SKF Explorer bearing

▶ Popular item



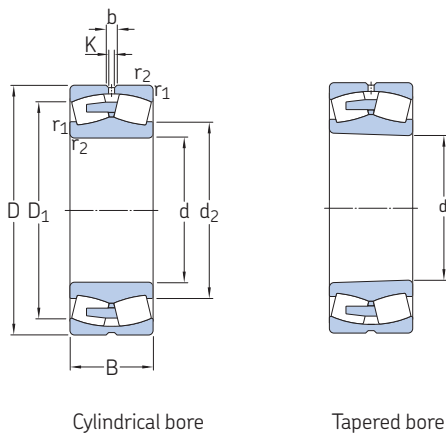
Dimensions					Abutment and fillet dimensions					Calculation factors				Permissible acceleration for oil lubrication ¹⁾	
d	d ₂ ≈	D ₁ ≈	b	K	r _{1,2} min.	d _a min.	d _a max.	D _a max.	r _a max.	e	Y ₁	Y ₂	Y ₀	rotational	linear
mm						mm				-				m/s ²	
420	459	520	16,7	9	4	435	-	545	3	0,16	4,2	6,3	4	-	-
	487	563	22,3	12	5	438	-	602	4	0,22	3	4,6	2,8	-	-
	477	547	22,3	12	5	438	-	602	4	0,3	2,3	3,4	2,2	-	-
	490	634	22,3	12	6	446	490	674	5	0,3	2,3	3,4	2,2	-	-
	483	607	22,3	12	6	446	-	674	5	0,3	2,3	3,4	2,2	-	-
	494	597	22,3	12	6	446	-	674	5	0,4	1,7	2,5	1,6	-	-
	526	649	22,3	12	7,5	452	-	728	6	0,35	1,9	2,9	1,8	-	-
	500	676	22,3	12	7,5	452	500	728	6	0,35	1,9	2,9	1,8	-	-
440	484	553	16,7	9	4	455	-	585	3	0,16	4,2	6,3	4	-	-
	511	590	22,3	12	6	463	-	627	5	0,22	3	4,6	2,8	-	-
	505	614	22,3	12	6	463	505	627	5	0,21	3,2	4,8	3,2	-	-
	499	572	22,3	12	6	463	-	627	5	0,3	2,3	3,4	2,2	-	-
	529	632	22,3	12	6	466	-	694	5	0,3	2,3	3,4	2,2	-	-
	513	664	22,3	12	6	466	513	694	5	0,28	2,4	3,6	2,5	-	-
	516	618	22,3	12	6	466	-	694	5	0,37	1,8	2,7	1,8	-	-
	549	676	22,3	12	7,5	472	-	758	6	0,35	1,9	2,9	1,8	-	-
460	505	541	-	7,5	3	473	-	567	2,5	0,17	4	5,9	4	-	-
	516	574	16,7	9	4	475	-	605	3	0,16	4,2	6,3	4	-	-
	533	617	22,3	12	6	483	-	657	5	0,22	3	4,6	2,8	-	-
	524	601	22,3	12	6	483	-	657	5	0,28	2,4	3,6	2,5	-	-
	555	666	22,3	12	7,5	492	-	728	6	0,3	2,3	3,4	2,2	-	-
	536	704	22,3	12	7,5	492	536	728	6	0,3	2,3	3,4	2,2	-	-
	543	649	22,3	12	7,5	492	-	728	6	0,37	1,8	2,7	1,8	-	-
	574	706	22,3	12	7,5	492	-	798	6	0,35	1,9	2,9	1,8	-	-
480	537	602	16,7	9	5	498	-	632	4	0,18	3,8	5,6	3,6	-	-
	549	633	22,3	12	6	503	-	677	5	0,21	3,2	4,8	3,2	-	-
	542	619	22,3	12	6	503	-	677	5	0,28	2,4	3,6	2,5	-	-
	579	692	22,3	12	7,5	512	-	758	6	0,3	2,3	3,4	2,2	-	-
	560	723	22,3	12	7,5	512	560	758	6	0,3	2,3	3,4	2,2	-	-
	564	678	22,3	12	7,5	512	-	758	6	0,37	1,8	2,7	1,8	-	-
	602	741	22,3	12	7,5	512	-	838	6	0,35	1,9	2,9	1,8	-	-

¹⁾ For details about permissible accelerations → [page 779](#)



9.1 Spherical roller bearings

d 500 – 630 mm



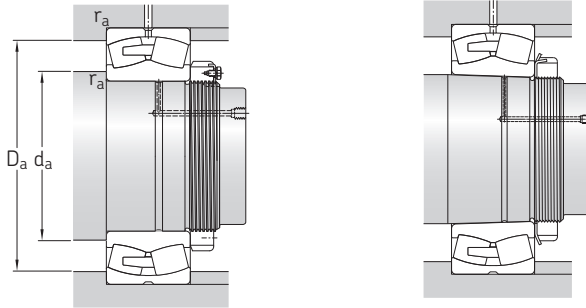
Cylindrical bore

Tapered bore

Principal dimensions			Basic load ratings		Fatigue load limit P_u	Speed ratings		Mass	Designations	
d	D	B	dynamic C	static C_0		Reference speed	Limiting speed		Bearing with cylindrical bore	tapered bore
mm			kN		kN	r/min	kg	–		
500	670	128	2 967	6 000	415	530	950	130	▶ 239/500 CA/W33	239/500 CAK/W33
	720	167	4 358	7 800	510	500	900	225	▶ 230/500 CA/W33	230/500 CAK/W33
	720	218	5 777	11 000	735	430	700	295	▶ 240/500 ECA/W33	240/500 ECAK30/W33
	830	264	8 037	12 900	830	380	700	580	231/500 CA/W33	231/500 CAK/W33
	830	325	10 123	17 000	1 120	260	380	700	▶ 241/500 ECA/W33	241/500 ECAK30/W33
	920	336	11 183	17 300	1 060	360	500	985	▶ 232/500 CA/W33	232/500 CAK/W33
530	650	118	2 124	5 300	380	530	950	86	248/530 CAMA/W20	248/530 CAK30MA/W20
	710	136	3 308	6 700	465	500	900	155	▶ 239/530 CA/W33	239/530 CAK/W33
	780	185	5 267	9 300	610	450	800	310	▶ 230/530 CA/W33	230/530 CAK/W33
	780	250	6 973	13 200	830	400	670	410	▶ 240/530 ECA/W33	240/530 ECAK30/W33
	870	272	8 526	14 000	880	360	670	645	▶ 231/530 CA/W33	231/530 CAK/W33
	870	335	10 909	19 000	1 220	240	360	830	▶ 241/530 ECA/W33	241/530 ECAK30/W33
560	980	355	13 268	20 400	1 220	320	480	1 200	▶ 232/530 CA/W33	232/530 CAK/W33
	750	140	3 571	7 200	500	450	850	175	▶ 239/560 CA/W33	239/560 CAK/W33
	820	195	5 779	10 200	670	430	750	355	▶ 230/560 CA/W33	230/560 CAK/W33
	820	258	7 530	14 000	980	20	50	445	▶ 240/560 BC	–
	820	258	7 621	14 600	980	380	630	465	▶ 240/560 ECA/W33	240/560 ECAK30/W33
	920	280	9 596	16 000	980	340	630	740	▶ 231/560 CA/W33	231/560 CAK/W33
600	920	355	12 366	21 600	1 340	220	320	985	▶ 241/560 ECJ/W33	241/560 ECK30J/W33
	1 030	365	13 940	22 000	1 320	280	430	1 350	▶ 232/560 CA/W33	232/560 CAK/W33
	800	150	4 022	8 300	570	430	750	220	▶ 239/600 CA/W33	▶ 239/600 CAK/W33
	870	200	6 252	11 400	735	400	700	405	▶ 230/600 CA/W33	230/600 CAK/W33
	870	272	8 502	16 300	1 100	20	45	519	▶ 240/600 BC	–
	870	272	8 580	17 000	1 080	340	560	520	▶ 240/600 ECA/W33	240/600 ECAK30/W33
630	980	300	10 738	18 000	1 100	320	560	895	▶ 231/600 CA/W33	231/600 CAK/W33
	980	375	13 522	23 600	1 460	200	300	1 200	▶ 241/600 ECA/W33	241/600 ECAK30/W33
	1 090	388	15 652	25 500	1 460	260	400	1 600	▶ 232/600 CA/W33	232/600 CAK/W33
	780	112	2 545	6 100	415	430	750	120	238/630 CAMA/W20	–
	850	165	4 744	9 800	630	400	700	280	▶ 239/630 CA/W33	▶ 239/630 CAK/W33
	920	212	6 898	12 500	780	380	670	485	▶ 230/630 CA/W33	230/630 CAK/W33
630	920	290	9 150	18 000	1 120	320	530	645	▶ 240/630 ECJ/W33	240/630 ECK30J/W33
	920	290	9 307	17 600	1 180	20	45	623	▶ 240/630 BC	–
	1 030	315	12 600	20 800	1 220	260	530	1 050	▶ 231/630 CA/W33	231/630 CAK/W33
	1 030	400	15 001	27 000	1 630	190	280	1 400	▶ 241/630 ECA/W33	241/630 ECAK30/W33

SKF Explorer bearing

▶ Popular item



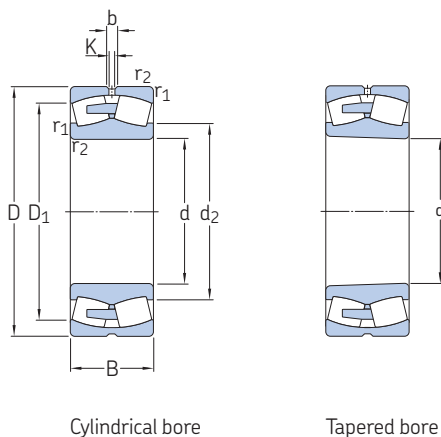
Dimensions					Abutment and fillet dimensions					Calculation factors				Permissible acceleration for oil lubrication ¹⁾	
d	d ₂ ≈	D ₁ ≈	b	K	r _{1,2} min.	d _a min.	d _a max.	D _a max.	r _a max.	e	Y ₁	Y ₂	Y ₀	rotational	linear
mm						mm				-				m/s ²	
500	561	622	22,3	12	5	518	-	652	4	0,17	4	5,9	4	-	-
	573	658	22,3	12	6	523	-	697	5	0,21	3,2	4,8	3,2	-	-
	566	644	22,3	12	6	523	-	697	5	0,26	2,6	3,9	2,5	-	-
	605	726	22,3	12	7,5	532	-	798	6	0,3	2,3	3,4	2,2	-	-
	588	713	22,3	12	7,5	532	-	798	6	0,37	1,8	2,7	1,8	-	-
	633	779	22,3	12	7,5	532	-	888	6	0,35	1,9	2,9	1,8	-	-
530	573	612	-	7,5	3	543	-	637	2,5	0,15	4,5	6,7	4,5	-	-
	594	661	22,3	12	5	548	-	692	4	0,17	4	5,9	4	-	-
	613	710	22,3	12	6	553	-	757	5	0,22	3	4,6	2,8	-	-
	601	687	22,3	12	6	553	-	757	5	0,28	2,4	3,6	2,5	-	-
	638	763	22,3	12	7,5	562	-	838	6	0,3	2,3	3,4	2,2	-	-
	623	748	22,3	12	7,5	562	-	838	6	0,37	1,8	2,7	1,8	-	-
	670	836	22,3	12	9,5	570	-	940	8	0,35	1,9	2,9	1,8	-	-
560	627	697	22,3	12	5	578	-	732	4	0,16	4,2	6,3	4	-	-
	646	746	22,3	12	6	583	-	797	5	0,22	3	4,6	2,8	-	-
	640	739	53,2	15	6	583	-	797	5	0,3	2,3	3,4	2,2	-	-
	637	728	22,3	12	6	583	-	797	5	0,28	2,4	3,6	2,5	-	-
	675	809	22,3	12	7,5	592	-	888	6	0,3	2,3	3,4	2,2	-	-
	634	796	22,3	12	7,5	592	-	888	6	0,35	1,9	2,9	1,8	-	-
	706	878	22,3	12	9,5	600	-	990	8	0,35	1,9	2,9	1,8	-	-
600	671	744	22,3	12	5	618	-	782	4	0,17	4	5,9	4	-	-
	685	789	22,3	12	6	623	-	847	5	0,22	3	4,6	2,8	-	-
	682	784	46,1	15	6	623	-	847	5	0,3	2,3	3,4	2,2	-	-
	675	774	22,3	12	6	623	-	847	5	0,3	2,3	3,4	2,2	-	-
	722	863	22,3	12	7,5	632	-	948	6	0,3	2,3	3,4	2,2	-	-
	702	845	22,3	12	7,5	632	-	948	6	0,37	1,8	2,7	1,8	-	-
	754	929	22,3	12	9,5	640	-	1 050	8	0,35	1,9	2,9	1,8	-	-
630	682	738	-	9	4	645	-	765	3	0,12	5,6	8,4	5,6	-	-
	708	787	22,3	12	6	653	-	827	5	0,17	4	5,9	4	-	-
	727	839	22,3	12	7,5	658	-	892	6	0,21	3,2	4,8	3,2	-	-
	697	823	22,3	12	7,5	658	-	892	6	0,28	2,4	3,6	2,5	-	-
	718	828	56,5	15	7,5	658	-	892	6	0,3	2,3	3,4	2,2	-	-
	755	918	22,3	12	7,5	662	-	998	6	0,3	2,3	3,4	2,2	-	-
	738	885	22,3	12	7,5	662	-	998	6	0,37	1,8	2,7	1,8	-	-

¹⁾ For details about permissible accelerations → [page 779](#)



9.1 Spherical roller bearings

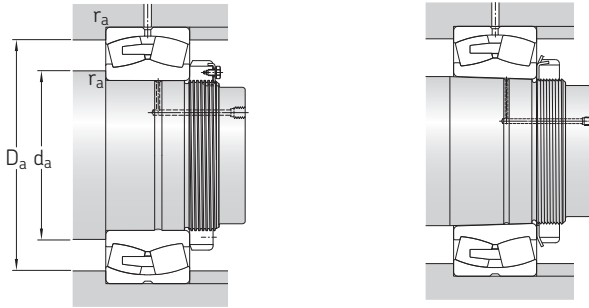
d 670 – 800 mm



Principal dimensions			Basic load ratings		Fatigue load limit P_u	Speed ratings		Mass	Designations		
d	D	B	C	C_0		Reference speed	Limiting speed		Bearing with cylindrical bore	tapered bore	
mm			kN		kN	r/min	kg	–			
670	820	112	2 643	6 400	430	400	700	130	238/670 CAMA/W20	–	
	820	150	3 598	9 500	655	400	700	172	248/670 CAMA/W20	–	
	900	170	5 146	10 800	680	360	670	315	239/670 CA/W33	239/670 CAK/W33	
	980	230	7 919	14 600	880	340	600	600	230/670 CA/W33	230/670 CAK/W33	
	980	308	10 435	20 400	1 290	300	500	790	240/670 ECA/W33	240/670 ECAK30/W33	
	1 090	336	13 101	22 400	1 320	240	500	1 250	231/670 CA/W33	231/670 CAK/W33	
	1 090	412	16 381	29 000	1 760	180	260	1 600	241/670 ECA/W33	241/670 ECAK30/W33	
	1 220	438	18 650	30 500	1 700	220	360	2 270	232/670 CA/W33	232/670 CAK/W33	
	710	870	118	3 013	7 500	500	360	670	153	238/710 CAMA/W20	–
		950	180	5 702	12 000	750	340	600	365	239/710 CA/W33	239/710 CAK/W33
950		243	6 860	15 600	930	300	500	495	249/710 CA/W33	249/710 CAK30/W33	
1 030		236	8 669	16 300	965	300	560	670	230/710 CA/W33	230/710 CAK/W33	
1 030		315	11 164	22 800	1 430	260	450	895	▶ 240/710 ECA/W33	240/710 ECAK30/W33	
1 030		315	11 166	22 000	1 430	20	40	843	240/710 BC	–	
1 150		345	14 732	26 000	1 530	240	450	1 450	231/710 CA/W33	231/710 CAK/W33	
1 150		438	17 935	32 500	1 900	160	240	1 900	241/710 ECA/W33	241/710 ECAK30/W33	
1 280		450	21 208	34 500	2 000	200	320	2 610	232/710 CA/W33	232/710 CAK/W33	
750		920	128	3 405	8 500	550	340	600	185	238/750 CAMA/W20	–
	1 000	185	6 138	13 200	800	320	560	420	239/750 CA/W33	239/750 CAK/W33	
	1 000	250	7 699	18 000	1 100	280	480	560	249/750 CA/W33	249/750 CAK30/W33	
	1 090	250	10 061	18 600	1 100	280	530	795	▶ 230/750 CA/W33	230/750 CAK/W33	
	1 090	335	12 235	25 000	1 460	240	430	1 070	▶ 240/750 ECA/W33	240/750 ECAK30/W33	
	1 090	335	12 309	24 500	1 530	20	40	1 010	240/750 BC	–	
	1 220	365	16 518	29 000	1 700	220	430	1 700	231/750 CA/W33	231/750 CAK/W33	
	1 220	475	20 434	37 500	2 160	150	220	2 100	241/750 ECA/W33	241/750 ECAK30/W33	
	800	980	180	4 780	12 900	830	320	560	300	248/800 CAMA/W20	248/800 CAK30MA/W20
		1 060	195	6 595	14 300	865	280	530	470	239/800 CA/W33	239/800 CAK/W33
1 060		258	8 136	19 300	1 060	240	430	640	249/800 CA/W33	249/800 CAK30/W33	
1 150		258	10 335	20 000	1 160	260	480	895	▶ 230/800 CA/W33	230/800 CAK/W33	
1 150		345	13 431	28 500	1 660	220	400	1 200	▶ 240/800 ECA/W33	240/800 ECAK30/W33	
1 150		345	13 447	27 500	1 700	20	40	1 140	240/800 BC	–	
1 280		375	18 033	31 500	1 800	200	400	1 920	231/800 CA/W33	231/800 CAK/W33	
1 280		475	21 587	40 500	2 320	140	200	2 300	241/800 ECA/W33	241/800 ECAK30/W33	
1 420		488	24 973	43 000	2 360	180	280	3 280	232/800 CAF/W33	232/800 CAKF/W33	

SKF Explorer bearing

▶ Popular item



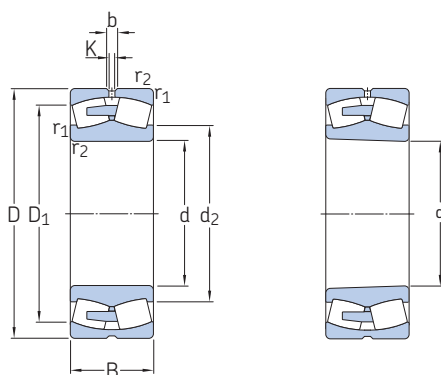
Dimensions					Abutment and fillet dimensions					Calculation factors				Permissible acceleration for oil lubrication ¹⁾	
d	d ₂ ≈	D ₁ ≈	b	K	r _{1,2} min.	d _a min.	d _a max.	D _a max.	r _a max.	e	Y ₁	Y ₂	Y ₀	rotational	linear
mm						mm				-				m/s ²	
670	724	778	-	9	4	685	-	805	3	0,11	6,1	9,1	6,3	-	-
	726	772	-	9	4	685	-	805	3	0,16	4,2	6,3	4	-	-
	752	835	22,3	12	6	693	-	877	5	0,17	4	5,9	4	-	-
	772	892	22,3	12	7,5	698	-	952	6	0,21	3,2	4,8	3,2	-	-
	758	866	22,3	12	7,5	698	-	952	6	0,28	2,4	3,6	2,5	-	-
	804	959	22,3	12	7,5	702	-	1 058	6	0,3	2,3	3,4	2,2	-	-
	782	942	22,3	12	7,5	702	-	1 058	6	0,37	1,8	2,7	1,8	-	-
	832	1 028	22,3	12	12	718	-	1 172	10	0,35	1,9	2,9	1,8	-	-
710	766	826	-	12	4	725	-	855	3	0,11	6,1	9,1	6,3	-	-
	794	882	22,3	12	6	733	-	927	5	0,17	4	5,9	4	-	-
	792	868	22,3	12	6	733	-	927	5	0,22	3	4,6	2,8	-	-
	816	941	22,3	12	7,5	738	-	1 002	6	0,21	3,2	4,8	3,2	-	-
	809	918	22,3	12	7,5	738	-	1 002	6	0,27	2,5	3,7	2,5	-	-
	810	931	61,8	15	7,5	738	-	1 002	6	0,3	2,3	3,4	2,2	-	-
	851	1 017	22,3	12	9,5	750	-	1 110	8	0,28	2,4	3,6	2,5	-	-
	826	989	22,3	12	9,5	750	-	1 110	8	0,37	1,8	2,7	1,8	-	-
	875	1 097	22,3	12	12	758	-	1 232	10	0,35	1,9	2,9	1,8	-	-
750	812	873	-	12	5	768	-	902	4	0,11	6,1	9,1	6,3	-	-
	838	930	22,3	12	6	773	-	977	5	0,16	4,2	6,3	4	-	-
	830	916	22,3	12	6	773	-	977	5	0,22	3	4,6	2,8	-	-
	859	998	22,3	12	7,5	778	-	1 062	6	0,21	3,2	4,8	3,2	-	-
	855	970	22,3	12	7,5	778	-	1 062	6	0,28	2,4	3,6	2,5	-	-
	856	984	72,8	15	7,5	778	-	1 062	6	0,3	2,3	3,4	2,2	-	-
	900	1 080	22,3	12	9,5	790	-	1 180	8	0,28	2,4	3,6	2,5	-	-
	875	1 050	22,3	12	9,5	790	-	1 180	8	0,37	1,8	2,7	1,8	-	-
800	865	921	-	12	5	818	-	962	4	0,15	4,5	6,7	4,5	-	-
	891	986	22,3	12	6	823	-	1 037	5	0,16	4,2	6,3	4	-	-
	887	973	22,3	12	6	823	-	1 037	5	0,21	3,2	4,8	3,2	-	-
	917	1 053	22,3	12	7,5	828	-	1 122	6	0,2	3,4	5	3,2	-	-
	910	1 028	22,3	12	7,5	828	-	1 122	6	0,27	2,5	3,7	2,5	-	-
	911	1 042	66,4	15	7,5	828	-	1 122	6	0,28	2,4	3,6	2,5	-	-
	949	1 141	22,3	12	9,5	840	-	1 240	8	0,28	2,4	3,6	2,5	-	-
	930	1 111	22,3	12	9,5	840	-	1 240	8	0,35	1,9	2,9	1,8	-	-
	995	1 218	22,3	12	15	858	-	1 362	12	0,33	2	3	2	-	-

¹⁾ For details about permissible accelerations → [page 779](#)



9.1 Spherical roller bearings

d 850 – 1 120 mm



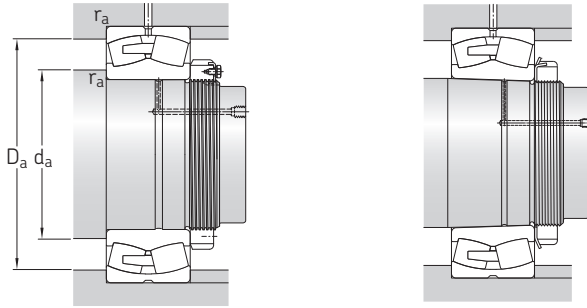
Cylindrical bore

Tapered bore

Principal dimensions			Basic load ratings		Fatigue load limit P_u	Speed ratings		Mass	Designations		
d	D	B	dynamic C	static C_0		Reference speed	Limiting speed		Bearing with cylindrical bore	tapered bore	
mm			kN		kN	r/min	kg	–			
850	1 030	136	3 882	10 000	630	260	530	240	238/850 CAMA/W20	238/850 CAKMA/W20	
	1 120	200	7 072	15 600	930	260	480	560	239/850 CA/W33	239/850 CAK/W33	
	1 120	272	9 390	22 800	1 370	220	400	740	249/850 CA/W33	249/850 CAK30/W33	
	1 220	272	11 291	21 600	1 250	240	450	1 050	▶ 230/850 CA/W33	230/850 CAK/W33	
	1 220	365	15 078	31 000	1 900	20	40	1 360	240/850 BC	–	
	1 220	365	15 183	31 500	1 900	200	360	1 410	240/850 ECA/W33	240/850 ECAK30/W33	
	1 360	500	23 827	45 000	2 500	130	190	2 770	241/850 ECAF/W33	241/850 ECAK30F/W33	
	1 500	515	27 636	48 000	2 600	160	260	3 940	232/850 CAF/W33	–	
	900	1 090	190	5 428	15 300	950	240	480	370	248/900 CAMA/W20	248/900 CAK30MA/W20
		1 180	206	7 652	17 000	1 000	240	450	605	239/900 CA/W33	239/900 CAK/W33
1 280		280	12 002	23 200	1 320	220	400	1 200	230/900 CA/W33	230/900 CAK/W33	
1 280		375	16 185	34 500	2 040	190	340	1 570	▶ 240/900 ECA/W33	240/900 ECAK30/W33	
1 280		375	16 215	34 000	2 040	20	40	1 520	240/900 BC	–	
1 420		515	25 310	49 000	2 700	120	180	3 350	241/900 ECAF/W33	241/900 ECAK30F/W33	
950		1 250	224	8 606	19 600	1 120	220	430	755	239/950 CA/W33	239/950 CAK/W33
		1 250	300	10 701	26 000	1 500	180	340	1 020	249/950 CA/W33	249/950 CAK30/W33
	1 360	300	14 363	28 500	1 600	200	380	1 450	230/950 CA/W33	230/950 CAK/W33	
	1 360	412	17 847	39 000	2 240	170	300	1 990	240/950 CAF/W33	240/950 CAK30F/W33	
	1 360	412	18 228	38 000	2 240	20	35	1 880	240/950 BC	–	
	1 500	545	27 892	55 000	3 000	110	160	3 540	241/950 ECAF/W33	241/950 ECAK30F/W33	
1 000	1 220	165	5 405	14 300	850	220	400	410	238/1000 CAMA/W20	238/1000 CAKMA/W20	
	1 320	315	11 939	29 000	1 460	170	320	1 200	249/1000 CA/W33	249/1000 CAK30/W33	
	1 420	412	18 592	40 500	2 240	160	280	2 140	240/1000 CAF/W33	240/1000 CAK30F/W33	
	1 580	462	25 650	48 000	2 550	140	280	3 500	231/1000 CAF/W33	231/1000 CAKF/W33	
	1 580	580	31 174	62 000	3 350	100	150	4 300	241/1000 ECAF/W33	241/1000 ECAK30F/W33	
1 060	1 280	165	5 555	15 000	865	200	380	435	238/1060 CAMA/W20	–	
	1 400	250	11 333	26 000	1 430	180	360	1 100	239/1060 CAF/W33	239/1060 CAKF/W33	
	1 400	335	13 354	32 500	1 800	160	280	1 400	249/1060 CAF/W33	249/1060 CAK30F/W33	
	1 500	438	20 724	45 500	2 450	150	260	2 520	240/1060 CAF/W33	240/1060 CAK30F/W33	
1 120	1 460	335	13 718	34 500	1 830	140	260	1 500	249/1120 CAF/W33	249/1120 CAK30F/W33	
	1 580	462	22 364	50 000	2 700	130	240	2 930	240/1120 CAF/W33	240/1120 CAK30F/W33	
	1 580	462	22 936	49 000	2 750	20	35	2 770	240/1120 BC	–	

SKF Explorer bearing

▶ Popular item



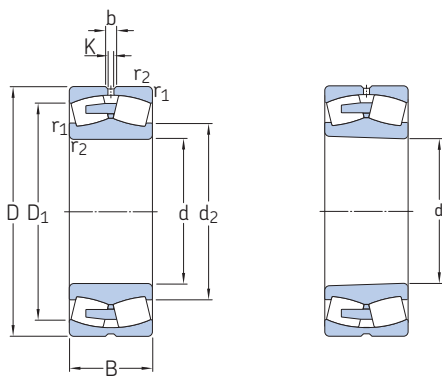
Dimensions					Abutment and fillet dimensions					Calculation factors				Permissible acceleration for oil lubrication ¹⁾	
d	d ₂ ≈	D ₁ ≈	b	K	r _{1,2} min.	d _a min.	d _a max.	D _a max.	r _a max.	e	Y ₁	Y ₂	Y ₀	rota- tional	linear
mm						mm				-				m/s ²	
850	912	981	-	12	5	868	-	1 012	4	0,11	6,1	9,1	6,3	-	-
	946	1 046	22,3	12	6	873	-	1 097	5	0,16	4,2	6,3	4	-	-
	940	1 029	22,3	12	6	873	-	1 097	5	0,22	3	4,6	2,8	-	-
	972	1 117	22,3	12	7,5	878	-	1 192	6	0,2	3,4	5	3,2	-	-
	966	1 105	67,9	15	7,5	878	-	1 192	6	0,28	2,4	3,6	2,5	-	-
	957	1 088	22,3	12	7,5	878	-	1 192	6	0,27	2,5	3,7	2,5	-	-
	988	1 182	22,3	12	12	898	-	1 312	10	0,35	1,9	2,9	1,8	-	-
	1 049	1 284	22,3	12	15	908	-	1 442	12	0,33	2	3	2	-	-
	900	969	1 029	-	12	5	918	-	1 072	4	0,14	4,8	7,2	4,5	-
996		1 101	22,3	12	6	923	-	1 157	5	0,15	4,5	6,7	4,5	-	-
1 025		1 176	22,3	12	7,5	928	-	1 252	6	0,2	3,4	5	3,2	-	-
1 015		1 149	22,3	12	7,5	928	-	1 252	6	0,26	2,6	3,9	2,5	-	-
1 024		1 164	69,1	15	7,5	928	-	1 252	6	0,27	2,5	3,7	2,5	-	-
1 043		1 235	22,3	12	12	948	-	1 372	10	0,35	1,9	2,9	1,8	-	-
1 056		1 164	22,3	12	7,5	978	-	1 222	6	0,15	4,5	6,7	4,5	-	-
1 051		1 150	22,3	12	7,5	978	-	1 222	6	0,21	3,2	4,8	3,2	-	-
1 086		1 246	22,3	12	7,5	978	-	1 332	6	0,2	3,4	5	3,2	-	-
950	1 077	1 214	22,3	12	7,5	978	-	1 332	6	0,27	2,5	3,7	2,5	-	-
	1 076	1 230	85,9	15	7,5	978	-	1 332	6	0,3	2,3	3,4	2,2	-	-
	1 102	1 305	22,3	12	12	998	-	1 452	10	0,35	1,9	2,9	1,8	-	-
	1 079	1 161	-	12	6	1 023	-	1 197	5	0,12	5,6	8,4	5,6	-	-
	1 109	1 212	22,3	12	7,5	1 028	-	1 292	6	0,21	3,2	4,8	3,2	-	-
	1 136	1 278	22,3	12	7,5	1 028	-	1 392	6	0,26	2,6	3,9	2,5	-	-
1 000	1 185	1 403	22,3	12	12	1 048	-	1 532	10	0,28	2,4	3,6	2,5	-	-
	1 159	1 373	22,3	12	12	1 048	-	1 532	10	0,35	1,9	2,9	1,8	-	-
	1 137	1 219	-	12	6	1 083	-	1 257	5	0,11	6,1	9,1	6,3	-	-
1 060	1 171	1 305	22,3	12	7,5	1 088	-	1 372	6	0,16	4,2	6,3	4	-	-
	1 168	1 286	22,3	12	7,5	1 088	-	1 372	6	0,21	3,2	4,8	3,2	-	-
	1 199	1 349	22,3	12	9,5	1 094	-	1 466	8	0,26	2,6	3,9	2,5	-	-
	1 231	1 350	22,3	12	7,5	1 148	-	1 432	6	0,2	3,4	5	3,2	-	-
1 120	1 268	1 423	22,3	12	9,5	1 154	-	1 546	8	0,26	2,6	3,9	2,5	-	-
	1 259	1 436	104	15	9,5	1 154	-	1 546	8	0,28	2,4	3,6	2,5	-	-

¹⁾ For details about permissible accelerations → [page 779](#)



9.1 Spherical roller bearings

d 1 180 – 1 800 mm



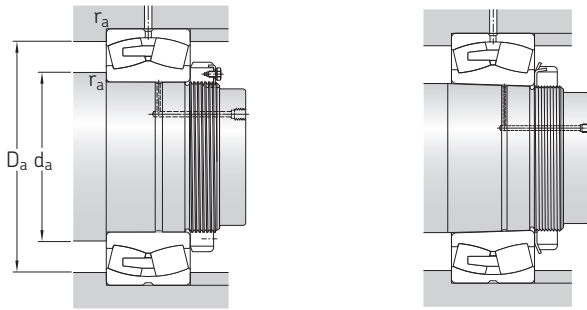
Cylindrical bore

Tapered bore

Principal dimensions			Basic load ratings		Fatigue load limit P_u	Speed ratings		Mass	Designations	
d	D	B	dynamic C	static C_0		Reference speed	Limiting speed		Bearing with cylindrical bore	tapered bore
mm			kN		kN	r/min		kg	–	
1 180	1 420	180	6 778	18 600	1 080	170	320	575	238/1180 CAFA/W20	238/1180 CAKFA/W20
	1 540	272	13 076	31 000	1 660	150	300	1 400	239/1180 CAF/W33	239/1180 CAKF/W33
	1 540	355	15 751	40 500	2 160	130	240	1 800	249/1180 CAF/W33	249/1180 CAK30F/W33
	1 660	475	25 471	58 500	3 050	130	220	3 320	240/1180 CAF/W33	240/1180 CAK30F/W33
1 250	1 750	375	21 256	45 000	2 320	130	240	2 840	230/1250 CAF/W33	230/1250 CAKF/W33
1 320	1 720	400	18 714	49 000	2 500	110	200	2 500	249/1320 CAF/W33	249/1320 CAK30F/W33
1 500	1 820	315	14 684	45 000	2 400	110	220	1 710	248/1500 CAFA/W20	248/1500 CAK30FA/W20
1 800	2 180	375	20 274	63 000	3 050	75	140	2 900	248/1800 CAFA/W20	248/1800 CAK30FA/W20

9.1





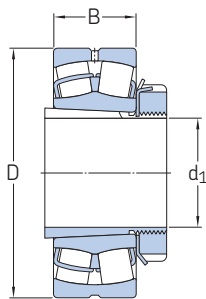
Dimensions					Abutment and fillet dimensions					Calculation factors				Permissible acceleration for oil lubrication ¹⁾	
d	d ₂ ≈	D ₁ ≈	b	K	r _{1,2} min.	d _a min.	d _a max.	D _a max.	r _a max.	e	Y ₁	Y ₂	Y ₀	rotational	linear
mm						mm				-				m/s ²	
1180	1 264	1 355	-	12	6	1 203	-	1 397	5	0,11	6,1	9,1	6,3	-	-
	1 305	1 439	22,3	12	7,5	1 208	-	1 512	6	0,16	4,2	6,3	4	-	-
	1 297	1 422	22,3	12	7,5	1 208	-	1 512	6	0,2	3,4	5	3,2	-	-
	1 325	1 507	22,3	12	9,5	1 200	-	1 626	8	0,26	2,6	3,9	2,5	-	-
1250	1 415	1 611	22,3	12	9,5	1 284	-	1 716	8	0,19	3,6	5,3	3,6	-	-
1320	1 449	1 589	22,3	12	7,5	1 348	-	1 692	6	0,21	3,2	4,8	3,2	-	-
1500	1 612	1 719	-	12	7,5	1 528	-	1 792	6	0,15	4,5	6,7	4,5	-	-
1800	1 932	2 060	-	12	9,5	1 834	-	2 146	8	0,15	4,5	6,7	4,5	-	-

¹⁾ For details about permissible accelerations → [page 779](#)

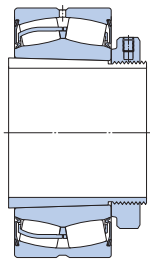


9.2 Spherical roller bearings on an adapter sleeve

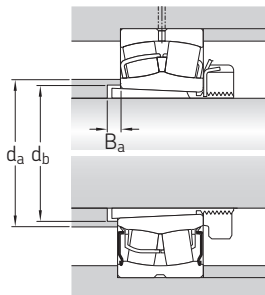
d_1 20 – 100 mm



Bearing on an
H.. sleeve



Sealed bearing on
an H.. E sleeve



Principal dimensions			Abutment and fillet dimensions			Mass Bearing + sleeve	Designations Bearing ¹⁾	Sleeve ²⁾
d_1	D	B	d_a max.	d_b min.	B_a min.			
mm			mm			kg	–	
20	52	18	31	28	5	0,33	▶ 22205 EK	H 305
25	62	20	37	33	5	0,39	▶ 22206 EK	H 306
30	72	23	44	39	5	0,59	▶ 22207 EK	H 307
35	80	23	49	44	5	0,68	▶ 22208 EK	H 308
	80	28	47	44	8	0,8	▶ BS2-2208-2RSK/VT143	H 2308 E
	90	23	60	44	5	0,92	▶ 21308 EK	H 308
	90	33	49	45	6	1,25	▶ 22308 EK	H 2308
40	85	23	54	50	7	0,81	▶ 22209 EK	H 309
	85	28	52	48	0	0,9	▶ BS2-2209-2RSK/VT143	H 309 E
	100	25	65	50	5	1,2	▶ 21309 EK	H 309
	100	36	57	50	6	1,7	▶ 22309 EK	H 2309
45	90	23	60	55	9	0,9	▶ 22210 EK	H 310
	90	28	58	54	2	1	▶ BS2-2210-2RSK/VT143	H 310 E
	110	27	72	55	6	1,6	▶ 21310 EK	H 310
	110	40	63	56	5	2,25	▶ 22310 EK	H 2310
50	100	25	65	60	10	1,1	▶ 22211 EK	H 311
	100	31	63	59	2	1,3	▶ BS2-2211-2RSK/VT143	H 311 E
	120	29	72	60	6	1,95	▶ 21311 EK	H 311
	120	43	70	61	6	2,85	▶ 22311 EK	H 2311
55	110	28	72	65	9	1,45	▶ 22212 EK	H 312
	110	34	69	64	1	1,7	▶ BS2-2212-2RSK/VT143	H 312 E
	130	31	87	65	6	2,35	▶ 21312 EK	H 312
	130	46	77	66	6	3,5	▶ 22312 EK	H 2312

SKF Explorer bearing

▶ Popular item

¹⁾ For additional bearing data → [product table, page 792](#)

²⁾ For additional adapter sleeve data → [product table, page 1072](#)

Principal dimensions			Abutment and fillet dimensions			Mass Bearing + sleeve	Designations Bearing ¹⁾	Sleeve ²⁾	
d ₁	D	B	d _a max.	d _b min.	B _a min.				
mm			mm			kg	–		
60	120	31	80	70	8	1,95	▶ 22213 EK BS2-2213-2RSK/VT143 ▶ 22214 EK	H 313 H 2313 E H 314	
	120	38	76	70	14	2,1			
	125	31	83	75	9	2,15			
		125	38	80	74	1	2,4	BS2-2214-2RSK/VT143 ▶ 21313 EK ▶ 22313 EK	H 314 E H 313 H 2313
		140	33	94	70	6	2,9		
		140	48	81	72	5	4,2		
	150	35	101	75	6	3,7	▶ 21314 EK ▶ 22314 EK	H 314 H 2314	
	150	51	90	76	6	5,35			
65	130	31	87	80	12	2,45	▶ 22215 EK ▶ BS2-2215-2RSK/VT143 ▶ 21315 EK	H 315 H 315 E H 315	
	130	38	84	80	3	2,8			
	160	37	101	80	6	4,5			
		160	55	92	82	5	6,5	▶ 22315 EK	H 2315
70	140	33	94	85	12	3	▶ 22216 EK ▶ BS2-2216-2RSK/VT143 ▶ 21316 EK	H 316 H 316 E H 316	
	140	40	91	85	2,5	3,3			
	170	39	106	85	6	5,3			
	170	58	98	88	6	7,65	▶ 22316 EK	H 2316	
75	150	36	101	91	12	3,7	▶ 22217 EK ▶ BS2-2217-2RSK/VT143 ▶ 21317 EK	H 317 H 317 E H 317	
	150	44	98	90	1,5	4,1			
	180	41	106	91	7	6,2			
	180	60	108	94	7	8,85	▶ 22317 EK	H 2317	
80	160	40	106	96	10	4,55	▶ 22218 EK ▶ BS2-2218-2RSK/VT143 ▶ 23218 CCK/W33	H 318 H 2318 E/L73 H 2318	
	160	48	102	97	7,5	5,1			
	160	52,4	106	100	18	6			
	190	43	112	96	7	7,25	▶ 21318 EK ▶ 22318 EK	H 318 H 2318	
	190	64	113	100	7	10,5			
85	170	43	112	102	9	5,45	▶ 22219 EK ▶ 21319 EK ▶ 22319 EK	H 319 H 319 H 2319	
	200	45	118	102	7	8,25			
	200	67	118	105	7	12			
90	165	52	115	107	6	6,15	▶ 23120 CCK/W33 ▶ 22220 EK BS2-2220-2RS5K/VT143	H 3120 H 320 H 2320 E	
	180	46	118	108	8	6,4			
	180	55	114	108	22,5	7,4			
	180	60,3	117	110	19	8,75	▶ 23220 CCK/W33 ▶ 21320 EK ▶ 22320 EK	H 2320 H 320 H 2320	
	215	47	118	108	7	10,5			
	215	73	130	110	7	15			
100	170	45	125	118	14	5,75	▶ 23022 CCK/W33 ▶ 23122-2CS5K/VT143 ▶ 23122 CCK/W33	H 322 H 3122 E H 3122	
	180	56	122	65	9	7,7			
	180	56	126	117	7	7,7			
		200	53	130	118	6	8,9	▶ 22222 EK BS2-2222-2RS5K/VT143 23222-2CS5K/VT143	H 322 H 2322 E H 2322 E
		200	63	126	118	21,5	10		
		200	69,8	126	121	17	12,5		
	200	69,8	130	121	17	12,5	▶ 23222 CCK/W33 ▶ 22322 EK	H 2322 H 2322	
	240	80	143	121	7	21			

SKF Explorer bearing

▶ Popular item

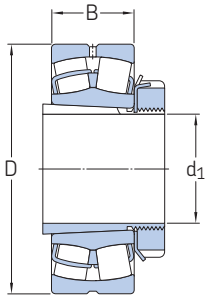
¹⁾ For additional bearing data → [product table, page 792](#)

²⁾ For additional adapter sleeve data → [product table, page 1072](#)

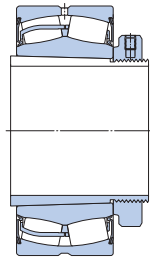


9.2 Spherical roller bearings on an adapter sleeve

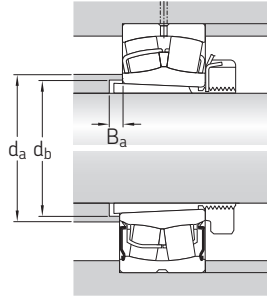
d_1 110 – 170 mm



Bearing on an H.. sleeve



Sealed bearing on an H.. E sleeve



Principal dimensions			Abutment and fillet dimensions			Mass Bearing + sleeve	Designations Bearing ¹⁾	Sleeve ²⁾	
d_1	D	B	d_a max.	d_b min.	B_a min.				
mm			mm			kg	–		
110	180	46	135	127	7	5,95	▶ 23024 CCK/W33	H 3024	
	200	62	139	128	7	10	▶ 23124 CCK/W33	H 3124	
	215	58	141	128	11	11	▶ 22224 EK	H 3124	
	215	69	136	129	21,5	12,5	BS2-2224-2RS5K/VT143	H 2324 EH	
	215	76	137	131	17	14,5	▶ 23224-2CS5K/VT143	H 2324 L	
	215	76	141	131	17	14,5	▶ 23224 CCK/W33	H 2324	
	260	86	147	131	7	25,5	▶ 22324-2CS5K/VT143	H 2324	
	260	86	152	131	7	25,5	▶ 22324 CCK/W33	H 2324	
115	200	52	145	137	8	8,7	BS2-2306-2CS5K/VT143	H 3026 E	
	200	52	148	137	8	8,6	▶ 23026 CCK/W33	H 3026	
	210	64	148	138	8	12	▶ 23126 CCK/W33	H 3126	
	230	64	152	138	8	14	▶ 22226 EK	H 3126	
	230	75	147	139	23,5	14,5	BS2-2226-2CS5K/VT143	H 2326 L	
	230	80	147	142	21	18	23226-2CS5K/VT143	H 2326 L	
	230	80	151	142	21	18,5	▶ 23226 CCK/W33	H 2326	
	280	93	159	142	8	33	▶ 22326-2CS5K/VT143	H 2326	
	280	93	164	142	8	33	▶ 22326 CCK/W33	H 2326	
125	210	53	155	147	8	9,4	BS2-2308-2CS5K/VT143	H 3028 E	
	210	53	158	147	8	9,4	▶ 23028 CCK/W33	H 3028	
	225	68	159	149	8	14,5	▶ 23128 CCK/W33	H 3128	
	250	68	161	149	8	17,5	▶ 22228-2CS5K/VT143	H 3128 L	
	250	68	166	149	8	18	▶ 22228 CCK/W33	H 3128	
	250	88	161	152	22	24	▶ 23228-2CS5K/VT143	H 2328	
	250	88	165	152	22	24	▶ 23228 CCK/W33	H 2328	
	300	102	169	152	8	41	▶ 22328-2CS5K/VT143	H 2328	
	300	102	175	152	8	41	▶ 22328 CCK/W33	H 2328	

9.2



SKF Explorer bearing

▶ Popular item

¹⁾ For additional bearing data → [product table, page 792](#)

²⁾ For additional adapter sleeve data → [product table, page 1072](#)

Principal dimensions			Abutment and fillet dimensions			Mass Bearing + sleeve	Designations Bearing ¹⁾	Sleeve ²⁾	
d ₁	D	B	d _a max.	d _b min.	B _a min.				
mm			mm			kg	–		
135	225	56	165	158	8	11,5	23030-2CS5K/VT143	H 3030 E	
	225	56	169	158	8	11	▶ 23030 CCK/W33	H 3030	
	250	80	168	160	8	20	23130-2CS5K/VT143	H 3130 E	
	250	80	172	160	8	21	▶ 23130 CCK/W33	H 3130	
	270	73	174	160	15	23	▶ 22230-2CS5K/VT143	H 3130	
	270	73	178	160	15	23	▶ 22230 CCK/W33	H 3130	
	270	96	171	163	20	30	23230-2CS5K/VT143	H 2330 L	
	270	96	175	163	20	30	▶ 23230 CCK/W33	H 2330	
	320	108	181	163	8	49	▶ 22330-2CS5K/VT143	H 2330	
	320	108	188	163	8	47,5	▶ 22330 CCK/W33	H 2330	
140	240	60	177	168	9	14,5	23032-2CS5K/VT143	H 3032 E	
	240	60	180	168	9	14,5	▶ 23032 CCK/W33	H 3032	
	270	86	180	170	8	27,5	23132-2CS5K/VT143	H 3132 E	
	270	86	184	170	8	27,5	▶ 23132 CCK/W33	H 3132	
	290	80	185	170	14	29,5	▶ 22232-2CS5K/VT143	H 3132	
	290	80	191	170	14	29,5	▶ 22232 CCK/W33	H 3132	
	290	104	188	174	18	39	▶ 23232 CCK/W33	H 2332	
	340	114	193	174	8	60	▶ 22332-2CS5K/VT143	H 2332	
	340	114	200	174	8	60	▶ 22332 CCK/W33	H 2332	
	150	260	67	188	179	9	18,5	23034-2CS5K/VT143	H 3034 E
260		67	191	179	9	18,5	▶ 23034 CCK/W33	H 3034	
280		88	190	180	8	29,5	23134-2CS5K/VT143	H 3134 E	
280		88	195	180	8	29,5	▶ 23134 CCK/W33	H 3134	
310		86	198	180	10	36	▶ 22234-2CS5K/VT143	H 3134	
310		86	203	180	10	36	▶ 22234 CCK/W33	H 3134	
310		110	200	185	18	46,5	▶ 23234 CCK/W33	H 2334	
360		120	213	185	8	69,5	▶ 22334 CCK/W33	H 2334	
160		250	52	199	188	9	13,5	23936 CCK/W33	H 3936
		280	74	199	189	9	23	23036-2CS5K/VT143	H 3036 E
	280	74	204	189	9	23	▶ 23036 CCK/W33	H 3036	
	300	96	202	191	8	35	23136-2CS5K/VT143	H 3136 L	
	300	96	207	191	8	37	▶ 23136 CCK/W33	H 3136	
	320	86	208	191	18	37,5	▶ 22236-2CS5K/VT143	H 3136	
	320	86	213	191	18	38	▶ 22236 CCK/W33	H 3136	
	320	112	211	195	22	49,5	▶ 23236 CCK/W33	H 2336	
	380	126	224	195	8	80	▶ 22336 CCK/W33	H 2336	
	170	260	52	209	198	10	14,5	23938 CCK/W33	H 3938
290		75	216	199	10	25	▶ 23038 CCK/W33	H 3038	
320		104	215	202	9	44,5	▶ 23138-2CS5K/VT143	H 3138	
320		104	220	202	9	44,5	▶ 23138 CCK/W33	H 3138	
340		92	220	202	21	44,5	▶ 22238-2CS5K/VT143	H 3138	
340		92	225	202	21	46	▶ 22238 CCK/W33	H 3138	
340		120	222	206	21	59	▶ 23238 CCK/W33	H 2338	
400		132	236	206	9	93	▶ 22338 CCK/W33	H 2338	

SKF Explorer bearing

▶ Popular item

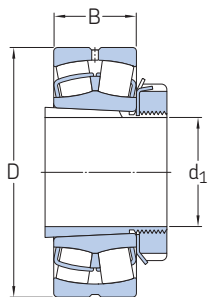
¹⁾ For additional bearing data → [product table, page 792](#)

²⁾ For additional adapter sleeve data → [product table, page 1072](#)

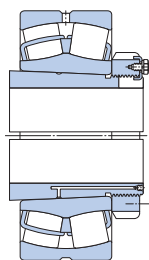


9.2 Spherical roller bearings on an adapter sleeve

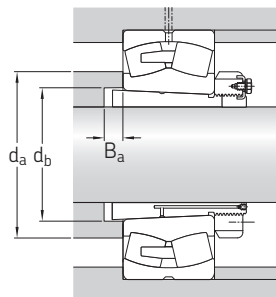
d_1 180 – 380 mm



Bearing on an
H.. sleeve



Bearing on an
OH..H sleeve



Principal dimensions			Abutment and fillet dimensions			Mass Bearing + sleeve	Designations Bearing ¹⁾	Sleeve ²⁾
d_1	D	B	d_a max.	d_b min.	B_a min.			
mm			mm			kg	–	
180	280	60	222	208	10	19	23940 CCK/W33	H 3940
	310	82	223	210	10	30	▶ 23040-2CS5K/VT143	H 3040
	310	82	228	210	10	31,5	▶ 23040 CCK/W33	H 3040
	340	112	227	212	9	53,5	▶ 23140-2CS5K/VT143	H 3140
	340	112	231	212	9	55,5	▶ 23140 CCK/W33	H 3140
	360	98	232	212	24	53	▶ 22240-2CS5K/VT143	H 3140
	360	98	238	212	24	66	▶ 22240 CCK/W33	H 3140
	360	128	229	216	19	69,5	23240-2CS5K/VT143	H 2340 L
	360	128	235	216	19	70	▶ 23240 CCK/W33	H 2340
	420	138	249	216	9	107	▶ 22340 CCK/W33	H 2340
200	300	60	241	229	12	22,5	23944 CCK/W33	OH 3944 H
	340	90	245	231	10	38	▶ 23044-2CS5K/VT143	OH 3044 H
	340	90	250	231	10	39,5	▶ 23044 CCK/W33	OH 3044 H
	370	120	249	233	10	66,5	23144-2CS5K/VT143	OH 3144 HTL
	370	120	255	233	10	67,5	▶ 23144 CCK/W33	OH 3144 H
	400	108	257	233	21	71,5	▶ 22244-2CS5K/VT143	OH 3144 H
	400	108	263	233	21	74	▶ 22244 CCK/W33	OH 3144 H
	400	144	259	236	11	96,5	▶ 23244 CCK/W33	OH 2344 H
	460	145	270	236	10	131	▶ 22344-2CS5K/VT143	OH 2344 H
	460	145	279	236	10	135	▶ 22344 CCK/W33	OH 2344 H
220	320	60	261	249	12	24,5	23948 CCK/W33	OH 3948 H
	360	92	265	251	11	42,5	23048-2CS5K/VT143	OH 3048 HE
	360	92	271	251	11	44,5	▶ 23048 CCK/W33	OH 3048 H
	400	128	270	254	11	79,5	23148-2CS5K/VT143	OH 3148 HTL
	400	128	277	254	11	80,5	▶ 23148 CCK/W33	OH 3148 H
	440	120	290	254	19	99	▶ 22248 CCK/W33	OH 3148 H
	440	160	286	257	6	125	23248 CCK/W33	OH 2348 H
	500	155	303	257	11	170	22348 CCK/W33	OH 2348 H

SKF Explorer bearing

▶ Popular item

¹⁾ For additional bearing data → [product table, page 792](#)

²⁾ For additional adapter sleeve data → [product table, page 1072](#)

Principal dimensions			Abutment and fillet dimensions			Mass Bearing + sleeve	Designations Bearing ¹⁾	Sleeve ²⁾	
d ₁	D	B	d _a max.	d _b min.	B _a min.				
mm			mm			kg	–		
240	360	75	287	270	12	35	23952 CCK/W33	OH 3952 H	
	400	104	289	272	11	58	23052-2CS5K/VT143	OH 3052 HE	
	400	104	295	272	11	60,5	▶ 23052 CCK/W33	OH 3052 H	
	440	144	293	276	11	105	▶ 23152-2CS5K/VT143	OH 3152 HTL	
	440	144	301	276	11	109	▶ 23152 CCK/W33	OH 3152 H	
	480	130	312	276	25	130	22252 CCK/W33	OH 3152 H	
	480	174	312	278	2	160	▶ 23252 CCK/W33	OH 2352 H	
	540	165	328	278	11	215	▶ 22352 CCK/W33	OH 2352 H	
	260	380	75	308	290	12	40	23956 CCK/W33	OH 3956 H
420		106	315	292	12	67	▶ 23056 CCK/W33	OH 3056 H	
460		146	314	296	12	114	23156-2CS5K/VT143	OH 3156 HTL	
460		146	321	296	12	115	▶ 23156 CCK/W33	OH 3156 H	
500		130	333	296	28	135	22256 CCK/W33	OH 3156 H	
500		176	332	299	11	165	▶ 23256 CCK/W33	OH 2356 H	
580		175	354	299	12	250	▶ 22356 CCK/W33	OH 2356 H	
280		420	90	333	312	13	58,5	23960 CCK/W33	OH 3960 H
		460	118	340	313	12	90	▶ 23060 CCK/W33	OH 3060 H
	500	160	337	318	12	153	23160-2CS5K/VT143	OH 3160 HE	
	500	160	345	318	12	150	▶ 23160 CCK/W33	OH 3160 H	
	540	140	354	318	32	170	22260 CCK/W33	OH 3160 H	
	540	192	356	321	12	210	▶ 23260 CCK/W33	OH 3260 H	
	300	440	90	354	332	13	61	23964 CCK/W33	OH 3964 H
		480	121	360	334	13	97	▶ 23064 CCK/W33	OH 3064 H
		540	176	361	338	13	192	▶ 23164-2CS5K/VT143	OH 3164 H
540		176	370	338	13	185	▶ 23164 CCK/W33	OH 3164 H	
580		150	379	338	39	200	22264 CCK/W33	OH 3164 H	
580		208	382	343	13	260	23264 CCK/W33	OH 3264 H	
320		460	90	373	352	14	67,5	23968 CCK/W33	OH 3968 H
		520	133	385	355	14	130	▶ 23068 CCK/W33	OH 3068 H
		580	190	385	360	14	252	23168-2CS5K/VT143	OH 3168 HE
	580	190	394	360	14	250	▶ 23168 CCK/W33	OH 3168 H	
	620	224	427	364	14	335	▶ 23268 CAK/W33	OH 3268 H	
	340	480	90	394	372	14	70,5	23972 CCK/W33	OH 3972 H
		540	134	404	375	14	135	▶ 23072 CCK/W33	OH 3072 H
		600	192	408	380	14	265	23172-2CS5K/VT143	OH 3172 HE
		600	192	418	380	14	260	▶ 23172 CCK/W33	OH 3172 H
650		170	454	380	36	375	22272 CAK/W33	OH 3172 H	
650		232	449	385	14	375	23272 CAK/W33	OH 3272 H	
360		520	106	419	393	15	95	23976 CCK/W33	OH 3976 H
		560	135	426	396	15	145	▶ 23076 CCK/W33	OH 3076 H
		620	194	454	401	15	275	▶ 23176 CAK/W33	OH 3176 H
	680	240	473	405	15	420	23276 CAK/W33	OH 3276 H	
	380	540	106	439	413	15	100	23980 CCK/W33	OH 3980 H
		600	148	450	417	15	180	23080 CCK/W33	OH 3080 H
		650	200	458	421	15	312	23180-2CS5K/VT143	OH 3180 HE
		650	200	475	421	15	325	▶ 23180 CAK/W33	OH 3180 H
		720	256	500	427	15	505	23280 CAK/W33	OH 3280 H
820		243	534	427	28	735	22380 CAK/W33	OH 3280 H	

SKF Explorer bearing

▶ Popular item

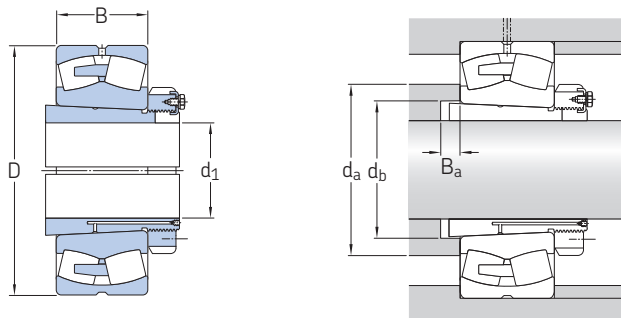
¹⁾ For additional bearing data → [product table, page 792](#)

²⁾ For additional adapter sleeve data → [product table, page 1072](#)



9.2 Spherical roller bearings on an adapter sleeve

d_1 400 – 1 000 mm



Principal dimensions			Abutment and fillet dimensions			Mass Bearing + sleeve	Designations Bearing ¹⁾	Sleeve ²⁾
d_1	D	B	d_a max.	d_b min.	B_a min.			
mm			mm			kg	–	
400	560	106	459	433	15	105	23984 CCK/W33	OH 3984 H
	620	150	487	437	16	190	23084 CAK/W33	OH 3084 H
	700	224	483	443	16	410	▶ 23184 CKJ/W33	OH 3184 H
	760	272	526	446	16	590	23284 CAK/W33	OH 3284 H
410	600	118	484	454	17	150	23988 CCK/W33	OH 3988 H
	650	157	511	458	17	235	23088 CAK/W33	OH 3088 H
	720	226	529	463	17	430	23188 CAK/W33	OH 3188 H
	790	280	549	469	17	670	23288 CAK/W33	OH 3288 H
430	620	118	516	474	17	160	23992 CAK/W33	OH 3992 H
	680	163	533	478	17	265	23092 CAK/W33	OH 3092 H
	760	240	555	484	17	530	23192 CAK/W33	OH 3192 H
	830	296	574	490	17	790	23292 CAK/W33	OH 3292 H
450	650	128	537	496	18	185	23996 CAK/W33	OH 3996 H
	700	165	549	499	18	275	23096 CAK/W33	OH 3096 H
	790	248	579	505	18	590	23196 CAK/W33	OH 3196 H
	870	310	602	512	18	935	23296 CAK/W33	OH 3296 H
470	670	128	561	516	18	195	239/500 CAK/W33	OH 39/500 H
	720	167	573	519	18	290	230/500 CAK/W33	OH 30/500 H
	830	264	605	527	18	690	231/500 CAK/W33	OH 31/500 H
	920	336	633	534	18	1 100	232/500 CAK/W33	OH 32/500 H
500	710	136	594	547	20	255	239/530 CAK/W33	OH 39/530 H
	780	185	613	551	20	405	230/530 CAK/W33	OH 30/530 H
	870	272	638	558	20	785	231/530 CAK/W33	OH 31/530 H
	980	355	670	566	20	1 360	232/530 CAK/W33	OH 32/530 H
530	750	140	627	577	20	260	239/560 CAK/W33	OH 39/560 H
	820	195	646	582	20	445	230/560 CAK/W33	OH 30/560 H
	920	280	675	589	20	880	231/560 CAK/W33	OH 31/560 H
	1 030	365	706	595	20	1 490	232/560 CAK/W33	OH 32/560 H

SKF Explorer bearing

▶ Popular item

¹⁾ For additional bearing data → [product table, page 792](#)

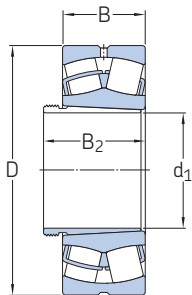
²⁾ For additional adapter sleeve data → [product table, page 1072](#)

Principal dimensions			Abutment and fillet dimensions			Mass Bearing + sleeve	Designations Bearing ¹⁾	Sleeve ²⁾
d ₁	D	B	d _a max.	d _b min.	B _a min.			
mm			mm			kg	–	
560	800	150	671	619	22	330	239/600 CAK/W33	OH 39/600 H
	870	200	685	623	22	525	230/600 CAK/W33	OH 30/600 H
	980	300	722	629	22	1 070	231/600 CAK/W33	OH 31/600 H
	1 090	388	754	639	22	1 780	232/600 CAK/W33	OH 32/600 H
600	850	165	708	650	22	385	239/630 CAK/W33	OH 39/630 H
	920	212	727	654	22	595	230/630 CAK/W33	OH 30/630 H
	1 030	315	755	663	22	1 240	231/630 CAK/W33	OH 31/630 H
630	900	170	752	691	22	455	239/670 CAK/W33	OH 39/670 H
	980	230	772	696	22	755	230/670 CAK/W33	OH 30/670 H
	1 090	336	804	705	22	1 510	231/670 CAK/W33	OH 31/670 H
	1 220	438	832	711	22	2 540	232/670 CAK/W33	OH 32/670 H
670	950	180	794	732	26	525	239/710 CAK/W33	OH 39/710 H
	1 030	236	816	736	26	860	230/710 CAK/W33	OH 30/710 H
	1 150	345	851	745	26	1 750	231/710 CAK/W33	OH 31/710 H
	1 280	450	875	753	26	3 000	232/710 CAK/W33	OH 32/710 H
710	1 000	185	838	772	26	605	239/750 CAK/W33	OH 39/750 H
	1 090	250	859	778	26	990	230/750 CAK/W33	OH 30/750 H
	1 220	365	900	787	26	2 050	231/750 CAK/W33	OH 31/750 H
750	1 060	195	891	822	28	730	239/800 CAK/W33	OH 39/800 H
	1 150	258	917	829	28	1 200	230/800 CAK/W33	OH 30/800 H
	1 280	375	949	838	28	2 430	231/800 CAK/W33	OH 31/800 H
800	1 120	200	946	872	28	950	239/850 CAK/W33	OH 39/850 H
	1 220	272	972	880	28	1 390	230/850 CAK/W33	OH 30/850 H
850	1 180	206	996	924	30	930	239/900 CAK/W33	OH 39/900 H
	1 280	280	1 025	931	30	1 580	230/900 CAK/W33	OH 30/900 H
900	1 250	224	1 056	976	30	1 120	239/950 CAK/W33	OH 39/950 H
	1 360	300	1 086	983	30	1 870	230/950 CAK/W33	OH 30/950 H
950	1 580	462	1 185	1 047	33	4 340	231/1000 CAKF/W33	OH 31/1000 H
1 000	1 400	250	1 179	1 087	33	1 590	239/1060 CAKF/W33	OH 39/1060 H



9.3 Spherical roller bearings on a withdrawal sleeve

d_1 35 – 145 mm



Principal dimensions				Mass	Designations	Sleeve ²⁾
d_1	D	B	$B_2^{3)}$	Bearing + sleeve	Bearing ¹⁾	
mm			≈	kg	–	
35	80	23	32	0,6	▶ 22208 EK	AH 308
	90	23	32	0,84	▶ 21308 EK	AH 308
	90	33	43	1,2	▶ 22308 EK	AH 2308
40	85	23	34	0,7	▶ 22209 EK	AH 309
	100	25	34	1,1	▶ 21309 EK	AH 309
	100	36	47	1,55	▶ 22309 EK	AH 2309
45	90	23	38	0,75	▶ 22210 EK	AHX 310
	110	27	38	1,45	▶ 21310 EK	AHX 310
	110	40	53	2,1	▶ 22310 EK	AHX 2310
50	100	25	40	0,95	▶ 22211 EK	AHX 311
	120	29	40	1,8	▶ 21311 EK	AHX 311
	120	43	57	2,7	▶ 22311 EK	AHX 2311
55	110	28	43	1,3	▶ 22212 EK	AHX 312
	130	31	43	2,2	▶ 21312 EK	AHX 312
	130	46	61	3,3	▶ 22312 EK	AHX 2312
60	120	31	45	1,7	▶ 22213 EK	AH 313 G
	140	33	45	2,75	▶ 21313 EK	AH 313 G
	140	48	64	4,1	▶ 22313 EK	AH 2313 G
65	125	31	47	1,8	▶ 22214 EK	AH 314 G
	150	35	47	3,35	▶ 21314 EK	AH 314 G
	150	51	68	4,9	▶ 22314 EK	AHX 2314 G
70	130	31	49	1,95	▶ 22215 EK	AH 315 G
	160	37	49	4,15	▶ 21315 EK	AH 315 G
	160	55	72	6	▶ 22315 EK	AHX 2315 G
75	140	33	52	2,4	▶ 22216 EK	AH 316
	170	39	52	4,75	▶ 21316 EK	AH 316
	170	58	75	7	▶ 22316 EK	AHX 2316
80	150	36	56	3,05	▶ 22217 EK	AHX 317
	180	41	56	5,55	▶ 21317 EK	AHX 317
	180	60	78	8,15	▶ 22317 EK	AHX 2317
85	160	40	57	3,7	▶ 22218 EK	AHX 318
	160	52,4	67	5	▶ 23218 CCK/W33	AHX 3218
	190	43	57	6,4	▶ 21318 EK	AHX 318
	190	64	83	9,5	▶ 22318 EK	AHX 2318

SKF Explorer bearing

▶ Popular item

¹⁾ For additional bearing data → [product table, page 792](#)

²⁾ For additional withdrawal sleeve data → skf.com/go/17000-24-1

³⁾ Width before the sleeve is driven into the bearing bore

Principal dimensions				Mass	Designations	Sleeve ²⁾
d ₁	D	B	B ₂ ³⁾ ≈	Bearing + sleeve	Bearing ¹⁾	
mm				kg	–	
90	170	43	61	4,6	▶ 22219 EK	AHX 319
	200	45	61	7,4	21319 EK	AHX 319
	200	67	89	11	▶ 22319 EK	AHX 2319
95	165	52	68	5	▶ 23120 CCK/W33	AHX 3120
	180	46	63	5,4	▶ 22220 EK	AHX 320
	180	60,3	77	7,3	▶ 23220 CCK/W33	AHX 3220
	215	47	63	9,1	21320 EK	AHX 320
	215	73	94	14	▶ 22320 EK	AHX 2320
105	170	45	67	4,45	23022 CCK/W33	AHX 322
	180	56	72	6,35	▶ 23122 CCK/W33	AHX 3122
	180	69	91	7,7	24122 CCK30/W33	AH 24122
	200	53	72	7,5	▶ 22222 EK	AHX 3122
	200	69,8	86	10,5	▶ 23222 CCK/W33	AHX 3222 G
	240	80	102	19,5	▶ 22322 EK	AHX 2322 G
115	180	46	64	4,8	▶ 23024 CCK/W33	AHX 3024
	180	60	82	5,95	▶ 24024 CCK30/W33	AH 24024
	200	62	79	8,7	▶ 23124 CCK/W33	AHX 3124
	200	80	102	11	24124 CCK30/W33	AH 24124
	215	58	79	9,55	▶ 22224 EK	AHX 3124
	215	76	94	13	▶ 23224 CCK/W33	AHX 3224 G
	260	86	109	24	▶ 22324 CCK/W33	AHX 2324 G
125	200	52	71	6,75	▶ 23026 CCK/W33	AHX 3026
	200	69	93	8,65	▶ 24026 CCK30/W33	AH 24026
	210	64	82	9,6	▶ 23126 CCK/W33	AHX 3126
	210	80	104	11,5	24126 CCK30/W33	AH 24126
	230	64	82	11,5	▶ 22226 EK	AHX 3126
	230	80	102	15,5	▶ 23226 CCK/W33	AHX 3226 G
135	280	93	119	30,5	▶ 22326 CCK/W33	AHX 2326 G
	210	53	73	7,35	▶ 23028 CCK/W33	AHX 3028
	210	69	93	9,2	▶ 24028 CCK30/W33	AH 24028
	225	68	88	11,5	▶ 23128 CCK/W33	AHX 3128
	225	85	109	14,5	▶ 24128 CCK30/W33	AH 24128
145	250	68	88	15	▶ 22228 CCK/W33	AHX 3128
	250	88	109	20,5	▶ 23228 CCK/W33	AHX 3228 G
	300	102	130	38	▶ 22328 CCK/W33	AHX 2328 G
	225	56	77	8,85	▶ 23030 CCK/W33	AHX 3030
	225	75	101	11,5	24030 CCK30/W33	AH 24030
	250	80	101	17	▶ 23130 CCK/W33	AHX 3130 G
	250	100	126	21	▶ 24130 CCK30/W33	AH 24130
	270	73	101	19	▶ 22230 CCK/W33	AHX 3130 G
270	96	119	26	▶ 23230 CCK/W33	AHX 3230 G	
320	108	140	45,5	▶ 22330 CCK/W33	AHX 2330 G	

SKF Explorer bearing

▶ Popular item

¹⁾ For additional bearing data → [product table, page 792](#)

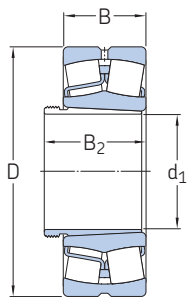
²⁾ For additional withdrawal sleeve data → skf.com/go/17000-24-1

³⁾ Width before the sleeve is driven into the bearing bore

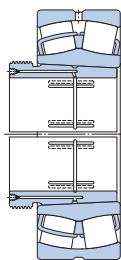


9.3 Spherical roller bearings on a withdrawal sleeve

d_1 150 – 300 mm



Bearing on an
AH sleeve



Bearing on an
AOH sleeve

Principal dimensions				Mass	Designations	Sleeve ²⁾	
d_1	D	B	$B_2^{3)}$	Bearing + sleeve	Bearing ¹⁾		
mm				kg	–		
150	240	60	82	11,5	▶ 23032 CCK/W33	AH 3032	
	240	80	106	15	▶ 24032 CCK30/W33	AH 24032	
	270	86	108	23	▶ 23132 CCK/W33	AH 3132 G	
	270	109	135	28,5	▶ 24132 CCK30/W33	AH 24132	
	290	80	108	25	▶ 22232 CCK/W33	AH 3132 G	
	290	104	130	34,5	▶ 23232 CCK/W33	AH 3232 G	
	340	114	146	56	22332 CCK/W33	AH 2332 G	
	160	260	67	90	15	▶ 23034 CCK/W33	AH 3034
		260	90	117	20	▶ 24034 CCK30/W33	AH 24034
		280	88	109	25	▶ 23134 CCK/W33	AH 3134 G
280		109	136	30	▶ 24134 CCK30/W33	AH 24134	
310		86	109	31	▶ 22234 CCK/W33	AH 3134 G	
310		110	140	41	▶ 23234 CCK/W33	AH 3234 G	
360		120	152	65	22334 CCK/W33	AH 2334 G	
170		280	74	98	19,5	▶ 23036 CCK/W33	AH 3036
		280	100	127	25,5	24036 CCK30/W33	AH 24036
		300	96	122	32	▶ 23136 CCK/W33	AH 3136 G
	300	118	145	37	24136 CCK30/W33	AH 24136	
	320	86	110	32,5	22236 CCK/W33	AH 2236 G	
	320	112	146	43,5	▶ 23236 CCK/W33	AH 3236 G	
	380	126	160	76	▶ 22336 CCK/W33	AH 2336 G	
	180	290	75	102	21	▶ 23038 CCK/W33	AH 3038 G
		290	100	131	27,5	24038 CCK30/W33	AH 24038
		320	104	131	38,5	▶ 23138 CCK/W33	AH 3138 G
320		128	159	46,5	24138 CCK30/W33	AH 24138	
340		92	117	39,5	22238 CCK/W33	AH 2238 G	
340		120	152	52,5	▶ 23238 CCK/W33	AH 3238 G	
400		132	167	87,5	▶ 22338 CCK/W33	AH 2338 G	

SKF Explorer bearing

▶ Popular item

¹⁾ For additional bearing data → [product table, page 792](#)

²⁾ For additional withdrawal sleeve data → [skf.com/go/17000-24-1](#)

³⁾ Width before the sleeve is driven into the bearing bore

Principal dimensions				Mass	Designations	Sleeve ²⁾	
d ₁	D	B	B ₂ ³⁾ ≈	Bearing + sleeve	Bearing ¹⁾		
mm				kg	–		
190	310	82	108	26,5	▶ 23040 CCK/W33	AH 3040 G	
	310	109	140	34,5	▶ 24040 CCK30/W33	AH 24040	
	340	112	140	48,5	▶ 23140 CCK/W33	AH 3140	
	340	140	171	57,5	▶ 24140 CCK30/W33	AH 24140	
	360	128	160	63	▶ 23240 CCK/W33	AH 3240	
	420	138	177	100	▶ 22340 CCK/W33	AH 2340	
	200	340	90	117	36,5	▶ 23044 CCK/W33	AOH 3044 G
		340	118	152	47,5	▶ 24044 CCK30/W33	AOH 24044
370		120	151	61,5	▶ 23144 CCK/W33	AOH 3144	
370		150	184	76	▶ 24144 CCK30/W33	AOH 24144	
400		108	136	68	▶ 22244 CCK/W33	AOH 2244	
400		144	189	93	▶ 23244 CCK/W33	AOH 2344	
460		145	189	130	▶ 22344 CCK/W33	AOH 2344	
220		360	92	123	40,5	▶ 23048 CCK/W33	AOH 3048
	360	118	153	50,5	▶ 24048 CCK30/W33	AOH 24048	
	400	128	161	76,5	▶ 23148 CCK/W33	AOH 3148	
	400	160	195	91,5	▶ 24148 CCK30/W33	AOH 24148	
	440	160	197	120	▶ 23248 CCK/W33	AOH 2348	
	500	155	197	165	▶ 22348 CCK/W33	AOH 2348	
	240	400	104	135	56,5	▶ 23052 CCK/W33	AOH 3052
		400	140	178	75	▶ 24052 CCK30/W33	AOH 24052 G
440		144	179	105	▶ 23152 CCK/W33	AOH 3152 G	
440		180	218	120	▶ 24152 CCK30/W33	AOH 24152	
480		130	161	120	▶ 22252 CCK/W33	AOH 2252 G	
480		174	213	155	▶ 23252 CCK/W33	AOH 2352 G	
540		165	213	205	▶ 22352 CCK/W33	AOH 2352 G	
260		420	106	139	62	▶ 23056 CCK/W33	AOH 3056
	420	140	179	79	▶ 24056 CCK30/W33	AOH 24056 G	
	460	146	183	110	▶ 23156 CCK/W33	AOH 3156 G	
	460	180	219	130	▶ 24156 CCK30/W33	AOH 24156	
	500	130	163	125	▶ 22256 CCK/W33	AOH 2256 G	
	500	176	220	160	▶ 23256 CCK/W33	AOH 2356 G	
	580	175	220	245	▶ 22356 CCK/W33	AOH 2356 G	
	280	460	118	153	82,5	▶ 23060 CCK/W33	AOH 3060
460		160	202	110	▶ 24060 CCK30/W33	AOH 24060 G	
500		160	200	140	▶ 23160 CCK/W33	AOH 3160 G	
500		200	242	180	▶ 24160 CCK30/W33	AOH 24160	
540		140	178	155	▶ 22260 CCK/W33	AOH 2260 G	
540		192	236	200	▶ 23260 CCK/W33	AOH 3260 G	
300		480	121	157	89	▶ 23064 CCK/W33	AOH 3064 G
		480	160	202	115	▶ 24064 CCK30/W33	AOH 24064 G
	540	176	217	175	▶ 23164 CCK/W33	AOH 3164 G	
	540	218	260	225	▶ 24164 CCK30/W33	AOH 24164	
	580	150	190	185	▶ 22264 CCK/W33	AOH 2264 G	
	580	208	254	250	▶ 23264 CCK/W33	AOH 3264 G	

SKF Explorer bearing

▶ Popular item

¹⁾ For additional bearing data → [product table, page 792](#)

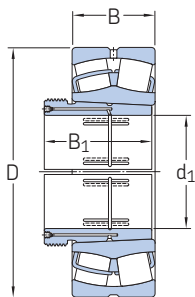
²⁾ For additional withdrawal sleeve data → [skf.com/go/17000-24-1](#)

³⁾ Width before the sleeve is driven into the bearing bore



9.3 Spherical roller bearings on a withdrawal sleeve

d_1 320 – 670 mm



Principal dimensions				Mass	Designations	Sleeve ²⁾
d_1	D	B	$B_2^{3)}$ ≈	Bearing + sleeve	Bearing ¹⁾	
mm				kg	–	
320	520	133	171	120	▶ 23068 CCK/W33	AOH 3068 G
	520	180	225	160	▶ 24068 CCK30/W33	AOH 24068
	580	190	234	225	▶ 23168 CCK/W33	AOH 3168 G
	580	243	288	295	24168 ECCK30J/W33	AOH 24168
	620	224	273	315	23268 CAK/W33	AOH 3268 G
	620	224	273	315		
340	540	134	176	125	23072 CCK/W33	AOH 3072 G
	540	180	226	165	24072 CCK30/W33	AOH 24072
	600	192	238	235	23172 CCK/W33	AOH 3172 G
	600	243	289	295	24172 ECCK30J/W33	AOH 24172
	650	170	238	275	22272 CAK/W33	AOH 3172 G
	650	232	283	345	23272 CAK/W33	AOH 3272 G
360	560	135	180	135	23076 CCK/W33	AOH 3076 G
	560	180	228	170	24076 CCK30/W33	AOH 24076
	620	194	242	250	▶ 23176 CAK/W33	AOH 3176 G
	620	243	291	325	24176 ECAK30/W33	AOH 24176
	680	240	294	390	23276 CAK/W33	AOH 3276 G
	680	240	294	390		
380	600	148	193	165	23080 CCK/W33	AOH 3080 G
	600	200	248	220	24080 ECCK30J/W33	AOH 24080
	650	200	250	290	23180 CAK/W33	AOH 3180 G
	650	250	298	365	24180 ECAK30/W33	AOH 24180
	720	256	312	470	23280 CAK/W33	AOH 3280 G
	820	243	312	675	22380 CAK/W33	AOH 3280 G
400	620	150	196	175	23084 CAK/W33	AOH 3084 G
	620	200	252	230	24084 ECAK30/W33	AOH 24084
	700	224	276	375	23184 CKJ/W33	AOH 3184 G
	700	280	332	470	24184 ECAK30/W33	AOH 24184
	760	272	331	550	23284 CAK/W33	AOH 3284 G
	760	272	331	550		
420	650	157	205	200	23088 CAK/W33	AOHX 3088 G
	650	212	264	275	24088 ECAK30/W33	AOH 24088
	720	226	281	380	23188 CAK/W33	AOHX 3188 G
	720	280	332	490	24188 ECAK30/W33	AOH 24188
	790	280	341	620	23288 CAK/W33	AOHX 3288 G
	790	280	341	620		

SKF Explorer bearing

▶ Popular item

¹⁾ For additional bearing data → [product table, page 792](#)

²⁾ For additional withdrawal sleeve data → skf.com/go/17000-24-1

³⁾ Width before the sleeve is driven into the bearing bore

Principal dimensions				Mass	Designations	Sleeve ²⁾	
d ₁	D	B	B ₂ ³⁾ ≈	Bearing + sleeve	Bearing ¹⁾		
mm				kg	–		
440	680	163	213	225	23092 CAK/W33	AOHX 3092 G	
	680	218	273	300	24092 ECAK30/W33	AOH 24092	
	760	240	296	465	23192 CAK/W33	AOHX 3192 G	
	760	300	355	590	24192 ECAK30/W33	AOH 24192	
	830	296	360	725	23292 CAK/W33	AOHX 3292 G	
	460	700	165	217	235	23096 CAK/W33	AOHX 3096 G
700		218	273	310	24096 ECAK30/W33	AOH 24096	
790		248	307	515	23196 CAK/W33	AOHX 3196 G	
790		308	363	635	24196 ECAK30/W33	AOH 24196	
870		310	376	860	23296 CAK/W33	AOHX 3296 G	
480		720	167	221	250	230/500 CAK/W33	AOHX 30/500 G
	720	218	276	325	240/500 ECAK30/W33	AOH 240/500	
	830	264	325	610	231/500 CAK/W33	AOHX 31/500 G	
	830	325	383	735	241/500 ECAK30/W33	AOH 241/500	
	920	336	405	1 020	232/500 CAK/W33	AOHX 32/500 G	
	500	780	185	242	365	230/530 CAK/W33	AOH 30/530
780		250	309	455	240/530 ECAK30/W33	AOH 240/530 G	
870		272	337	720	231/530 CAK/W33	AOH 31/530	
870		335	394	885	241/530 ECAK30/W33	AOH 241/530 G	
980		355	424	1 290	232/530 CAK/W33	AOH 32/530 G	
530		820	195	252	430	230/560 CAK/W33	AOHX 30/560
	820	258	320	515	240/560 ECAK30/W33	AOH 240/560 G	
	920	280	347	850	231/560 CAK/W33	AOH 31/560	
	920	355	417	1 060	241/560 ECK30J/W33	AOH 241/560 G	
	1 030	365	434	1 500	232/560 CAK/W33	AOHX 32/560	
	570	870	200	259	480	230/600 CAK/W33	AOHX 30/600
870		272	336	600	240/600 ECAK30/W33	AOHX 240/600	
980		300	369	1 010	231/600 CAK/W33	AOHX 31/600	
980		375	439	1 290	241/600 ECAK30/W33	AOHX 241/600	
1 090		388	459	1 760	232/600 CAK/W33	AOHX 32/600 G	
600		920	212	272	575	230/630 CAK/W33	AOH 30/630
	920	290	356	730	240/630 ECK30J/W33	AOH 240/630 G	
	1 030	315	389	1 190	231/630 CAK/W33	AOH 31/630	
	1 030	400	466	1 500	241/630 ECAK30/W33	AOH 241/630 G	
	630	980	230	294	720	230/670 CAK/W33	AOH 30/670
		980	308	374	900	240/670 ECAK30/W33	AOH 240/670 G
1 090		336	409	1 430	231/670 CAK/W33	AOHX 31/670	
1 090		412	478	1 730	241/670 ECAK30/W33	AOH 241/670	
1 220		438	514	2 500	232/670 CAK/W33	AOH 32/670 G	
670		1 030	236	302	800	230/710 CAK/W33	AOHX 30/710
	1 030	315	386	1 010	240/710 ECAK30/W33	AOH 240/710 G	
	1 150	345	421	1 650	231/710 CAK/W33	AOHX 31/710	
	1 150	438	509	2 040	241/710 ECAK30/W33	AOH 241/710	
	1 280	450	531	2 810	232/710 CAK/W33	AOH 32/710 G	

SKF Explorer bearing

¹⁾ For additional bearing data → [product table, page 792](#)

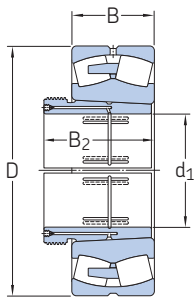
²⁾ For additional withdrawal sleeve data → [skf.com/go/17000-24-1](#)

³⁾ Width before the sleeve is driven into the bearing bore



9.3 Spherical roller bearings on a withdrawal sleeve

d_1 710 – 1 000 mm



Principal dimensions				Mass	Designations	Sleeve ²⁾
d_1	D	B	$B_2^{3)}$	Bearing + sleeve	Bearing ¹⁾	
mm				kg	–	
710	1 090	250	316	950	230/750 CAK/W33	A0H 30/750
	1 090	335	408	1 200	240/750 ECAK30/W33	A0H 240/750 G
	1 220	365	441	1 930	231/750 CAK/W33	A0H 31/750
	1 220	475	548	2 280	241/750 ECAK30/W33	A0H 241/750 G
750	1 150	258	326	1 100	230/800 CAK/W33	A0H 30/800
	1 150	345	423	1 380	240/800 ECAK30/W33	A0H 240/800 G
	1 280	375	456	2 200	231/800 CAK/W33	A0H 31/800
	1 280	475	553	2 540	241/800 ECAK30/W33	A0H 241/800 G
800	1 220	272	343	1 250	230/850 CAK/W33	A0H 30/850
	1 220	365	445	1 670	240/850 ECAK30/W33	A0H 240/850 G
	1 360	500	600	3 050	241/850 ECAK30F/W33	A0H 241/850
850	1 280	280	355	1 450	230/900 CAK/W33	A0H 30/900
	1 280	375	475	1 850	240/900 ECAK30/W33	A0H 240/900
	1 420	515	620	3 700	241/900 ECAK30F/W33	A0H 241/900
900	1 360	300	375	1 720	230/950 CAK/W33	A0H 30/950
	1 360	412	512	2 300	240/950 CAK30F/W33	A0H 240/950
	1 500	545	650	3 950	241/950 ECAK30F/W33	A0H 241/950
950	1 420	412	519	2 500	240/1000 CAK30F/W33	A0H 240/1000
	1 580	462	547	3 950	231/1000 CAKF/W33	A0H 31/1000
	1 580	580	695	4 800	241/1000 ECAK30F/W33	A0H 241/1000
1 000	1 500	438	548	2 950	240/1060 CAK30F/W33	A0H 240/1060



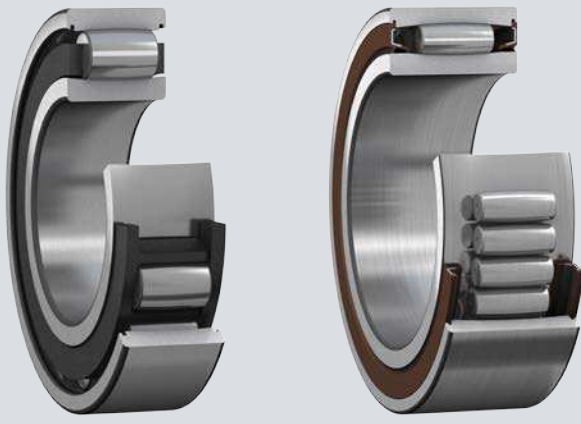
SKF Explorer bearing

¹⁾ For additional bearing data → [product table, page 792](#)

²⁾ For additional withdrawal sleeve data → skf.com/go/17000-24-1

³⁾ Width before the sleeve is driven into the bearing bore





10

CARB toroidal
roller bearings



10 CARB toroidal roller bearings

Designs and variants	844		
Basic design bearings	844		
Sealed bearings	845		
Cages	845		
Customized bearings	845		
Bearing data	846		
(Dimension standards, tolerances, internal clearance, permissible misalignment, permissible axial displacement)			
Loads	849		
(Minimum load, equivalent dynamic bearing load, equivalent static bearing load)			
Temperature limits	850		
Permissible speed	850		
Design considerations	850		
Verification of axial displacement	850		
Free space on both sides of the bearing	852		
Offset mounting	852		
Bearings on sleeves	852		
Appropriate bearing housings	852		
Mounting	853		
Mounting bearings with a tapered bore	853		
Designation system	855		
Product tables			
10.1 CARB toroidal roller bearings	856		
10.2 CARB toroidal roller bearings on an adapter sleeve	868		
10.3 CARB toroidal roller bearings on a withdrawal sleeve	872		
		Other CARB toroidal roller bearings	
		NoWear coated bearings	1059



10 CARB toroidal roller bearings

More information

General bearing knowledge	17
Bearing selection process	59
Lubrication	109
Bearing interfaces	139
Seat tolerances for standard conditions	148
Selecting internal clearance	182
Sealing, mounting and dismounting	193

Mounting instructions for individual bearings → skf.com/mount

SKF Drive-up Method → skf.com/drive-up

SKF bearing maintenance handbook ISBN 978-91-978966-4-1

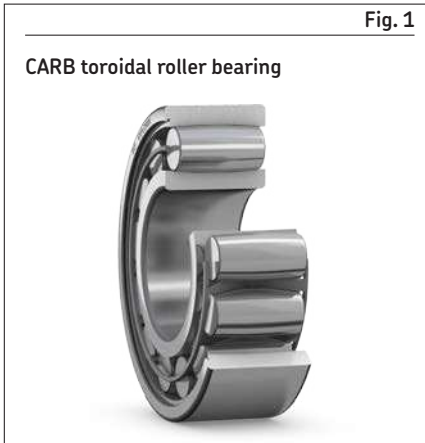


Fig. 1

CARB toroidal roller bearing

CARB toroidal roller bearings (fig. 1) have one row of long, slightly barrel-shaped symmetrical rollers and torus-shaped raceway profiles (fig. 2). They are non-locating bearings and accommodate exclusively radial loads. CARB bearings are often used to replace the non-locating spherical roller bearing in a locating/non-locating bearing arrangement.

Bearing features

- **Accommodate misalignment**
CARB bearings are self-aligning like spherical roller bearings or self-aligning ball bearings (fig. 3).
- **Accommodate axial displacement**
CARB bearings compensate for thermal expansion of the shaft like cylindrical or needle roller bearings (fig. 4).

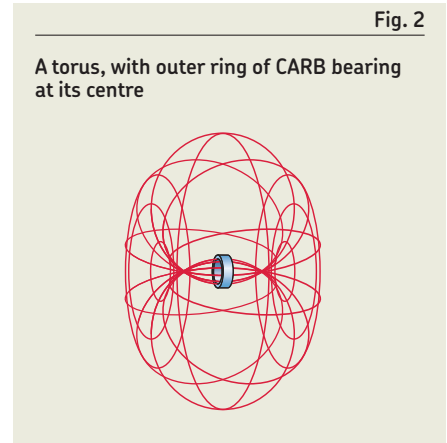


Fig. 2

A torus, with outer ring of CARB bearing at its centre

- **Wide assortment of dimension series**
CARB bearings are available with the same boundary dimensions as corresponding spherical roller bearings, self-aligning ball bearings, cylindrical roller bearings and needle roller bearings (fig. 5).
- **Long service life**
The special roller profile prevents stress peaks at the roller ends (fig. 6).
- **Low friction**
Self-guiding rollers keep friction and frictional heat at low levels (fig. 7).
- **Improved wear resistance**
All CARB bearings are upgraded SKF Explorer bearings (page 7).
- **Low noise**
CARB bearings can reduce noise and vibration levels, for example, in paper machines and fans.

Fig. 3

Misalignment

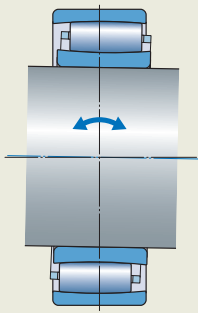


Fig. 5

Interchangeability

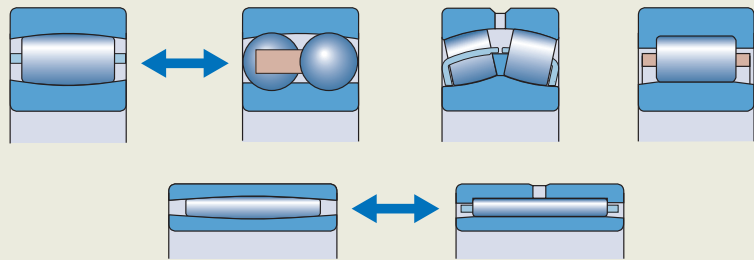


Fig. 4

Axial displacement

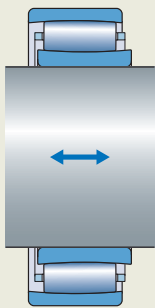


Fig. 6

Optimal stress distribution

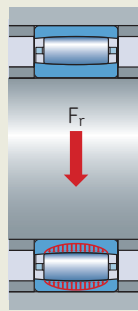
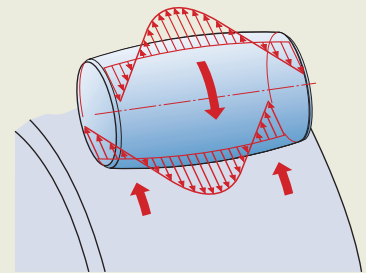


Fig. 7

Low friction and frictional heat



Long bearing system life

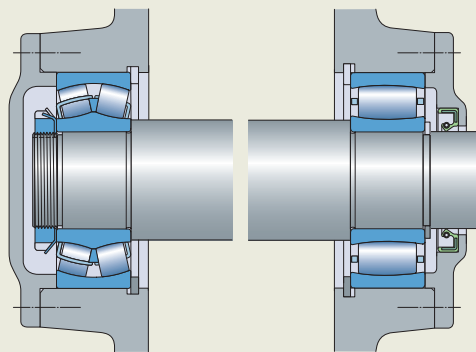
CARB bearings provide benefits in self-aligning bearing arrangements (fig. 8). With a CARB bearing in the non-locating position, there are no internally induced axial forces, which results in multiple benefits:

- Less load extends the service life.
- The bearings run cooler, the lubricant lasts longer and maintenance intervals can be extended.
- Noise and vibration levels can be reduced.

Learn more about the SKF self-aligning bearing arrangement in the video available at skf.com/go/17000-10 (4 min).

Fig. 8

Self-aligning bearing arrangement: Locating spherical roller bearing and non-locating CARB bearing



Designs and variants

SKF standard assortment

The SKF standard assortment of CARB toroidal roller bearings matches the assortment of spherical roller bearings. It also includes bearings with a low cross-sectional height to meet requirements for minimum radial space. All CARB bearings are upgraded SKF Explorer bearings and are shown coloured blue in the product tables. The standard assortment includes:

- basic design bearings with cylindrical or tapered bore
 - taper 1:12 (designation suffix K)
 - taper 1:30 (designation suffix K30)
- sealed bearings

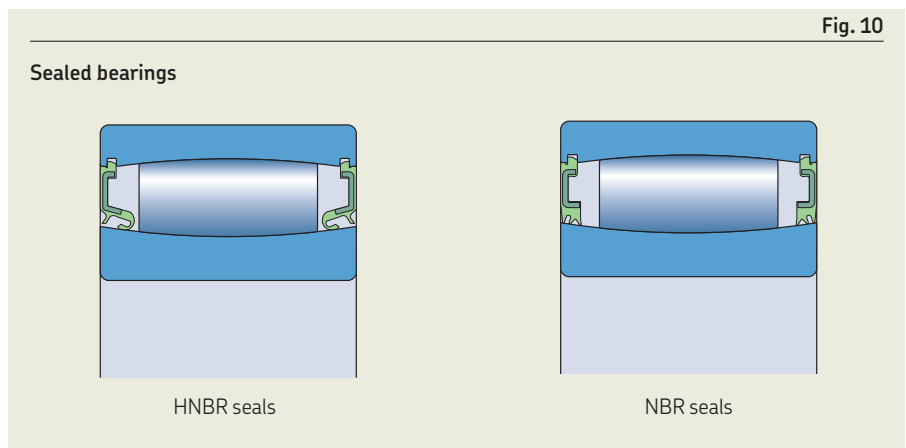
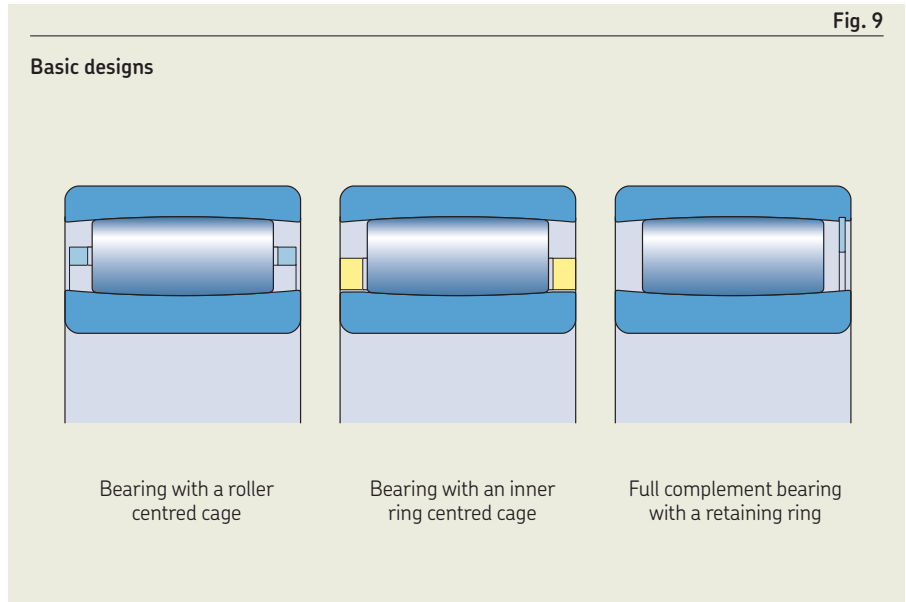
For sizes and variants not listed in the product tables, contact SKF.

Basic design bearings

Depending on their series and size the following basic design CARB toroidal roller bearings are available as standard (fig. 9):

- bearings with a roller centred cage
- bearings with an inner ring centred cage
- full complement bearings with a retaining ring

The load carrying capacity of full complement CARB bearings is considerably higher than that of same-sized bearings with a cage.



Sealed bearings

- are available, as standard, as small and medium-size full complement bearings with a cylindrical bore
- are typically used for low speeds and very heavy loads
- are suitable for both inner or outer ring rotation
- are fitted with a double-lip contact seal on one or both sides in a recess on the outer ring, sealing against the inner ring raceway
- are available with two different seal materials / designs (fig. 10):
 - sheet steel reinforced HNBR (designation suffix CS5)
 - sheet steel reinforced NBR (designation suffix NS) with enhanced sealing effectiveness – mainly intended for oscillating or very low speed applications

Bearings sealed on both sides are lubricated for the life of the bearing and are virtually maintenance-free. They are filled with one of the following greases (table 1):

- bearings with HNBR seals → SKF LGHB 2 grease as standard
- bearings with NBR seals → SKF LGEP 2 grease as standard
- other SKF greases on request

For additional information about greases, refer to *Selecting a suitable SKF grease*, page 116.

Cages

CARB bearings, if not a full complement of rollers, are fitted with one of the following cages:

- glass fibre reinforced PA46 cage, window-type, roller centred (designation suffix TN9)
- stamped steel cage, window-type, roller centred (no designation suffix)
- machined brass cage, window-type, roller centred (designation suffix M)
- machined brass cage, inner ring centred (designation suffix MB)

When used at high temperatures, some lubricants can have a detrimental effect on polyamide cages. For additional information about the suitability of cages, refer to *Cages*, page 187.

Customized bearings

SKF can customize bearings to meet the needs of applications where the bearings are subjected to unique operating conditions. For example, bearings for:

- paper mills or coaters in high precision execution
- very arduous operating conditions, e.g. continuous casters
- high temperature applications

For additional information about application-specific CARB bearings, contact the SKF application engineering service.

Table 1

Technical specifications of SKF greases for sealed CARB bearings

Grease	Designation suffix	Temperature range ¹⁾							Thickener	Base oil type	NLGI grade	Base oil viscosity [mm ² /s]	
		-50	0	50	100	150	200	250				at 40 °C (105 °F)	at 100 °C (210 °F)
LGEP 2	VT143								Lithium soap	Mineral	2	200	16
LGHB 2	GEM9								Calcium sulphonate complex	Mineral	2	400	26,5

¹⁾ Refer to the SKF traffic light concept (page 117).

Bearing data

Dimension standards	Boundary dimensions: ISO 15
Tolerances	Normal d ≤ 300 mm <ul style="list-style-type: none"> width tolerance at least 50% tighter than ISO standard (table 2) P5 geometrical tolerances d > 300 mm <ul style="list-style-type: none"> P5 geometrical tolerances on request (designation suffix C08)
For additional information → page 35	Values: ISO 492 (table 2, page 38 , to table 4, page 40)
Internal clearance	Normal Check availability of C2, C3, C4 or C5 clearance classes Values: ISO 5753-1 <ul style="list-style-type: none"> cylindrical bore (table 3) tapered bore (table 4, page 848)
For additional information → page 182	Values are valid for unmounted bearings under zero measuring load, with no misalignment, no axial displacement between the inner and outer rings, and the rollers centred. Axial displacement of one bearing ring relative to the other reduces the radial internal clearance. Typical clearance window → diagram 1, page 850 .
Permissible misalignment	0,5° For misalignment > 0,5°, contact the SKF application engineering service.
Permissible axial displacement (fig. 11, page 850)	$s_{1\max}, s_{2\max}$ (product table, page 856) The actual internal clearance can limit the possible axial displacement. Misalignment reduces the possible axial displacement. For details, refer to <i>Verification of axial displacement</i> , page 850 . Free space must be provided on both sides of the bearing (<i>Free space on both sides of the bearing</i> , page 852).

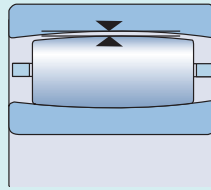
Table 2

Width tolerances for CARB bearings

Bore diameter		Width tolerances	
d		t_{ABs}	L
>	≤	U	L
mm		µm	
18	50	0	-40
50	80	0	-60
80	250	0	-80
250	300	0	-100

Table 3

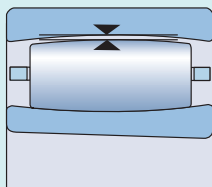
Radial internal clearance of CARB bearings with a cylindrical bore



Bore diameter		Radial internal clearance									
d		C2		Normal		C3		C4		C5	
>	≤	min.	max.	min.	max.	min.	max.	min.	max.	min.	max.
mm		μm									
18	24	15	30	25	40	35	55	50	65	65	85
24	30	15	35	30	50	45	60	60	80	75	95
30	40	20	40	35	55	55	75	70	95	90	120
40	50	25	45	45	65	65	85	85	110	105	140
50	65	30	55	50	80	75	105	100	140	135	175
65	80	40	70	65	100	95	125	120	165	160	210
80	100	50	85	80	120	120	160	155	210	205	260
100	120	60	100	100	145	140	190	185	245	240	310
120	140	75	120	115	170	165	215	215	280	280	350
140	160	85	140	135	195	195	250	250	325	320	400
160	180	95	155	150	220	215	280	280	365	360	450
180	200	105	175	170	240	235	310	305	395	390	495
200	225	115	190	185	265	260	340	335	435	430	545
225	250	125	205	200	285	280	370	365	480	475	605
250	280	135	225	220	310	305	410	405	520	515	655
280	315	150	240	235	330	330	435	430	570	570	715
315	355	160	260	255	360	360	485	480	620	620	790
355	400	175	280	280	395	395	530	525	675	675	850
400	450	190	310	305	435	435	580	575	745	745	930
450	500	205	335	335	475	475	635	630	815	810	1 015
500	560	220	360	360	520	510	690	680	890	890	1 110
560	630	240	400	390	570	560	760	750	980	970	1 220
630	710	260	440	430	620	610	840	830	1 080	1 070	1 340
710	800	300	500	490	680	680	920	920	1 200	1 200	1 480
800	900	320	540	530	760	750	1 020	1 010	1 330	1 320	1 660
900	1 000	370	600	590	830	830	1 120	1 120	1 460	1 460	1 830
1 000	1 120	410	660	660	930	930	1 260	1 260	1 640	1 640	2 040
1 120	1 250	450	720	720	1 020	1 020	1 380	1 380	1 800	1 800	2 240
1 250	1 400	490	800	800	1 130	1 130	1 510	1 510	1 970	1 970	2 460
1 400	1 600	570	890	890	1 250	1 250	1 680	1 680	2 200	2 200	2 740
1 600	1 800	650	1 010	1 010	1 390	1 390	1 870	1 870	2 430	2 430	3 000



Radial internal clearance of CARB bearings with a tapered bore



Bore diameter		Radial internal clearance									
d		C2		Normal		C3		C4		C5	
>	≤	min.	max.	min.	max.	min.	max.	min.	max.	min.	max.
mm		μm									
18	24	15	35	30	45	40	55	55	70	65	85
24	30	20	40	35	55	50	65	65	85	80	100
30	40	25	50	45	65	60	80	80	100	100	125
40	50	30	55	50	75	70	95	90	120	115	145
50	65	40	65	60	90	85	115	110	150	145	185
65	80	50	80	75	110	105	140	135	180	175	220
80	100	60	100	95	135	130	175	170	220	215	275
100	120	75	115	115	155	155	205	200	255	255	325
120	140	90	135	135	180	180	235	230	295	290	365
140	160	100	155	155	215	210	270	265	340	335	415
160	180	115	175	170	240	235	305	300	385	380	470
180	200	130	195	190	260	260	330	325	420	415	520
200	225	140	215	210	290	285	365	360	460	460	575
225	250	160	235	235	315	315	405	400	515	510	635
250	280	170	260	255	345	340	445	440	560	555	695
280	315	195	285	280	380	375	485	480	620	615	765
315	355	220	320	315	420	415	545	540	680	675	850
355	400	250	350	350	475	470	600	595	755	755	920
400	450	280	385	380	525	525	655	650	835	835	1 005
450	500	305	435	435	575	575	735	730	915	910	1 115
500	560	330	480	470	640	630	810	800	1 010	1 000	1 230
560	630	380	530	530	710	700	890	880	1 110	1 110	1 350
630	710	420	590	590	780	770	990	980	1 230	1 230	1 490
710	800	480	680	670	860	860	1 100	1 100	1 380	1 380	1 660
800	900	520	740	730	960	950	1 220	1 210	1 530	1 520	1 860
900	1 000	580	820	810	1 040	1 040	1 340	1 340	1 670	1 670	2 050
1 000	1 120	640	900	890	1 170	1 160	1 500	1 490	1 880	1 870	2 280
1 120	1 250	700	980	970	1 280	1 270	1 640	1 630	2 060	2 050	2 500
1 250	1 400	770	1 080	1 080	1 410	1 410	1 790	1 780	2 250	2 250	2 740
1 400	1 600	870	1 200	1 200	1 550	1 550	1 990	1 990	2 500	2 500	3 050
1 600	1 800	950	1 320	1 320	1 690	1 690	2 180	2 180	2 730	2 730	3 310

Loads

	Bearings with a cage	Full complement bearings
<p>Minimum load</p> <p>For additional information → page 106</p>	$F_{rm} = 0,007 C_0$ <p>Oil lubricated bearings:</p> $n/n_r \leq 0,3 \rightarrow F_{rm} = 0,002 C_0$ $0,3 < n/n_r \leq 2 \rightarrow F_{rm} = 0,002 C_0 (1 + 2 \sqrt{\frac{n}{n_r} - 0,3})$ When starting up at low temperatures or when the lubricant is highly viscous, greater minimum loads than $F_{rm} = 0,007 C_0$ and $0,01 C_0$, respectively, may be required.	$F_{rm} = 0,01 C_0$
<p>Equivalent dynamic bearing load</p> <p>For additional information → page 91</p>	$P = F_r$	
<p>Equivalent static bearing load</p> <p>For additional information → page 105</p>	$P_0 = F_r$	
	<p>Symbols</p> <p>C_0 basic static load rating [kN] (product table, page 856) F_r radial load [kN] F_{rm} minimum radial load [kN] P equivalent dynamic bearing load [kN] P_0 equivalent static bearing load [kN] n rotational speed [r/min] n_r reference speed [r/min] (product table)</p>	

Temperature limits

The permissible operating temperature for CARB bearings can be limited by:

- the dimensional stability of the bearing rings
- the cage
- the seals
- the lubricant

Where temperatures outside the permissible range are expected, contact SKF.

Bearing rings

The rings of CARB bearings are heat stabilized up to 200 °C (390 °F).

Cages

Steel or brass cages can be used at the same operating temperatures as the bearing rings. For temperature limits of polymer cages, refer to *Polymer cages*, page 188.

Seals

The permissible operating temperature for seals depends on the seal material:

- HNBR: -40 to +150 °C (-40 to +300 °F)
 - NBR: -40 to +90 °C (-40 to +195 °F)
- Temperatures up to 120 °C (250 °F) can be tolerated for brief periods.

Typically, temperature peaks are at the seal lip.

Lubricants

Temperature limits for greases used in sealed CARB bearings are provided in [table 1, page 845](#). For temperature limits of other SKF greases, refer to *Selecting a suitable SKF grease*, page 116.

When using lubricants not supplied by SKF, temperature limits should be evaluated according to the SKF traffic light concept ([page 117](#)).

Permissible speed

The speed ratings in the [product table](#) indicate:

- the **reference speed**, which enables a quick assessment of the speed capabilities from a thermal frame of reference
- the **limiting speed**, which is a mechanical limit that should not be exceeded unless the bearing design and the application are adapted for higher speeds

For additional information, refer to *Operating temperature and speed*, [page 130](#).

Design considerations

Verification of axial displacement

The actual internal clearance can limit the possible axial displacement. Misalignment reduces the possible axial displacement. Therefore, the actual axial displacement should be verified.

1 Determine the required axial displacement

- Thermal expansion of the shaft can be estimated using $s_{req} = \alpha L \Delta T$
- Where additional effects need to be considered, advanced simulation or tests may be required.

Fig. 11

Permissible axial displacement

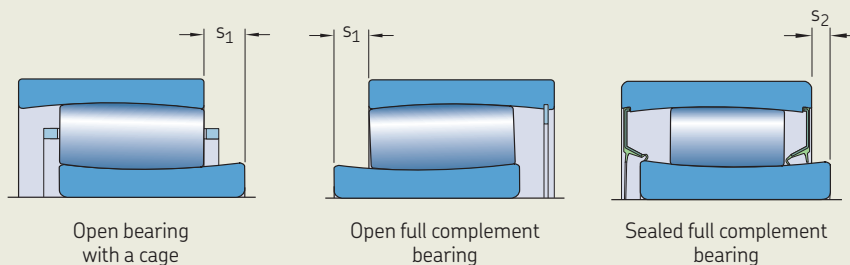
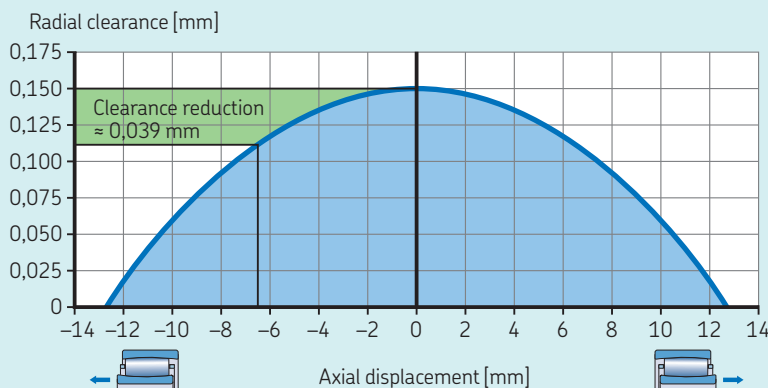


Diagram 1

The clearance window for a C 3052 CARB bearing with a maximum operating clearance of 0,150 mm



2 Determine the maximum misalignment

- Estimate the misalignment β of the housing seats based on specified tolerances.
- Where additional effects need to be considered, advanced simulation or tests may be required.

3 Check the permissible axial displacement

Check the permissible axial displacement in both directions, depending on the bearing used (fig. 11):

- open bearing with a cage
- full complement bearing with a retaining ring
- sealed bearing

$$s_{\text{req}} < s_1 - \beta k_1 B$$

or

$$s_{\text{req}} < s_2 - \beta k_1 B$$

Where s_{req} is too large, consider *Offset mounting*, page 852.

4 Check the internal clearance

- Determine the clearance reduction caused by axial displacement.

$$C_{\text{red}} = \frac{k_2 s_{\text{req}}^2}{B}$$

- Determine the amount of clearance reduction from other effects and evaluate the residual clearance (*Selecting initial internal clearance*, page 183).

Example application

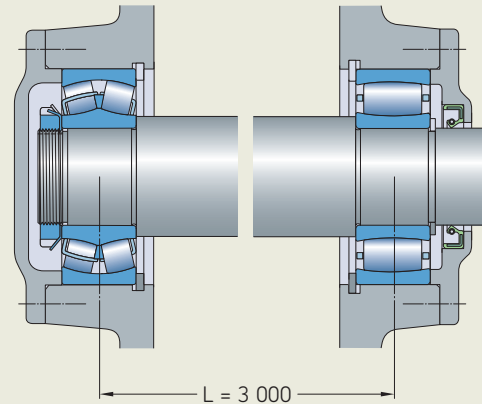


Fig. 12

Symbols

B	bearing width [mm]
C_{red}	reduction of radial clearance as a result of an axial displacement from a centred position [mm]
k_1	misalignment factor (product table, page 856)
L	shaft length between the bearings [mm]
s_1	axial displacement limit in bearings with a cage or in full complement bearings when displacing away from the retaining ring [mm] (fig. 11)
s_2	axial displacement limit in sealed and full complement bearings when displacing toward the seal or retaining ring respectively [mm] (fig. 11)
s_{req}	required axial displacement from a centred position [mm]
α	thermal coefficient of expansion [$^{\circ}\text{C}^{-1}$] = 12×10^{-6} for steel
β	misalignment [$^{\circ}$]
ΔT	temperature difference [$^{\circ}\text{C}$]

Calculation example

Application (fig. 12)

- Bearing C 3040
 - $d = 200$ mm
 - $D = 310$ mm
 - $B = 82$ mm
 - Normal clearance: min. $170 \mu\text{m}$
 - $s_1 = 15,2$ mm
 - $k_1 = 0,123$
 - $k_2 = 0,095$
- Shaft length $L = 3\,000$ mm
- Temperature range for the shaft: 20 to 90°C (70 to 195°F)
- Max. misalignment: $0,46^{\circ}$

Verification of axial displacement:

1 Required axial displacement

$$s_{\text{req}} = \alpha L \Delta T$$

$$s_{\text{req}} = 12 \times 10^{-6} \times 3\,000 \times (90 - 20)$$

$$= 2,5 \text{ mm}$$

2 Max. misalignment

Input provided: $0,46^{\circ}$

3 Checking the permissible axial displacement

$$s_{\text{req}} < s_1 - \beta k_1 B$$

$$2,5 < 15,2 - 0,46 \times 0,123 \times 82 \approx 10,5$$

→ okay

4 Checking the internal clearance

$$C_{\text{red}} = \frac{k_2 s_{\text{req}}^2}{B}$$

$$C_{\text{red}} = \frac{0,095 \times 2,5^2}{82} \approx 0,007$$

Min. internal clearance when the bearing is displaced:

$$170 - 7 = 163 \mu\text{m}$$

Determine the clearance reduction caused by other effects (e.g. interference fit, temperature difference between inner and outer rings) and evaluate the residual clearance (*Selecting initial internal clearance*, page 183)

Free space on both sides of the bearing

To enable axial displacement of the shaft relative to the housing, free space must be provided on both sides of the bearing as indicated in **fig. 13**. The value for the width of this free space is based on:

- the value C_a (**product table, page 856**)
- the expected axial displacement of the bearing rings from the central position during operation
- the displacement of the rings caused by misalignment

Calculating the free space required on both sides of the bearing

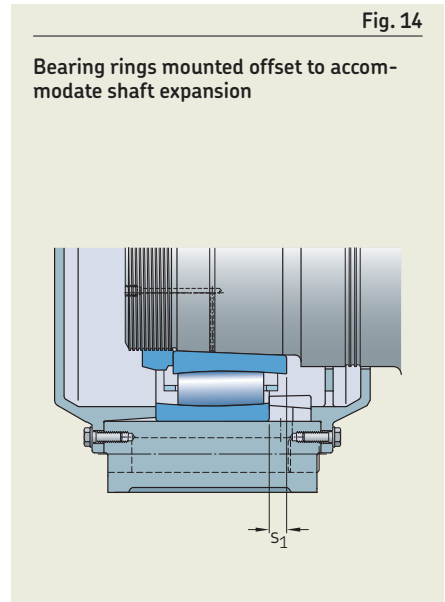
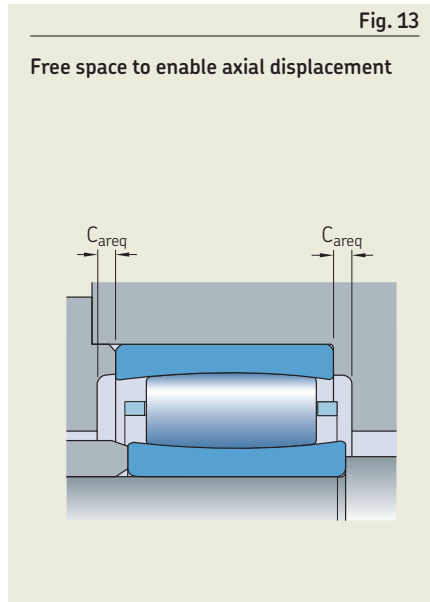
$$C_{areq} = C_a + 0,5 (s + \beta k_1 B)$$

where

- B = bearing width [mm]
- C_a = minimum width of space required on both sides of the bearing [mm] (**product table**)
- C_{areq} = width of space required on both sides of the bearing [mm]
- k_1 = misalignment factor (**product table**)
- s = relative axial displacement of rings, e.g. thermal shaft expansion [mm]
- β = misalignment [°]

Offset mounting

Where considerable thermal changes in shaft length are a possibility, the inner ring can be mounted offset, relative to the outer ring, up to the axial displacement limit s_1 or s_2 (**fig. 11, page 850**) in the direction opposite to the expected axial displacement (**fig. 14**). The extended permissible axial displacement is used, for example, in the self-aligning bearing arrangements of drying cylinders in paper machines.



Bearings on sleeves

CARB bearings with a tapered bore can be mounted with:

- an adapter sleeve on plain or stepped shafts (**fig. 15**):
 - Adapter sleeves are supplied complete with a locking device.
 - Use appropriate SKF adapter sleeve assemblies to prevent the locking device from interfering with the cage (**product table, page 868**).
- a withdrawal sleeve on stepped shafts (**fig. 16**)

Check axial displacement carefully, as it could be that s_1 (**product table, page 856**) cannot be fully realized.

For additional information about sleeves, refer to *Adapter sleeves*, **page 1065**, and *Withdrawal sleeves*, **page 1087**.

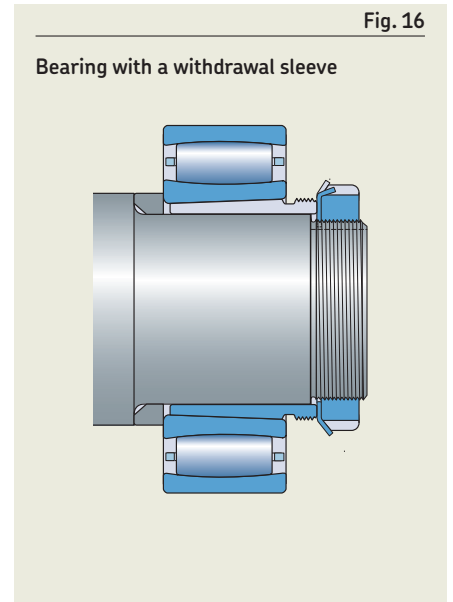
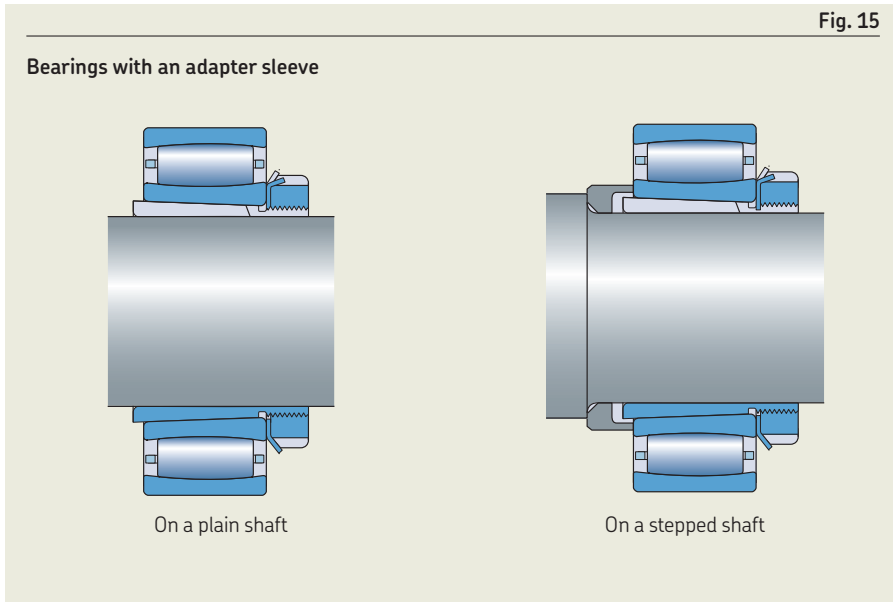
Appropriate bearing housings

SKF standard bearing housings are available for most CARB bearings in the C 30, C 31, C 22 and C 23 series.

The two common arrangements when using standard housings are:

- CARB bearings with a tapered bore on an adapter sleeve and a plain shaft
- CARB bearings with a cylindrical bore on a stepped shaft

The comprehensive assortment of SKF bearing housings is provided online at skf.com/housings.



Mounting

During handling, the rings and roller complement of CARB toroidal roller bearings may be axially displaced from their normal position. This is especially likely where CARB bearings are mounted with the shaft or housing in the vertical position:

- 1 The roller complement, together with the inner or outer ring, will move downward and result in no more clearance.
- 2 When the bearing rings expand or contract as a result of an interference fit, preload is likely to result.

Therefore, wherever possible:

- Mount CARB bearings with the shaft or housing in the horizontal position.
- Rotate the inner or outer ring to align the rollers during mounting.

Where this is not feasible, use a bearing handling tool or other device to keep the bearing components arranged centrally.

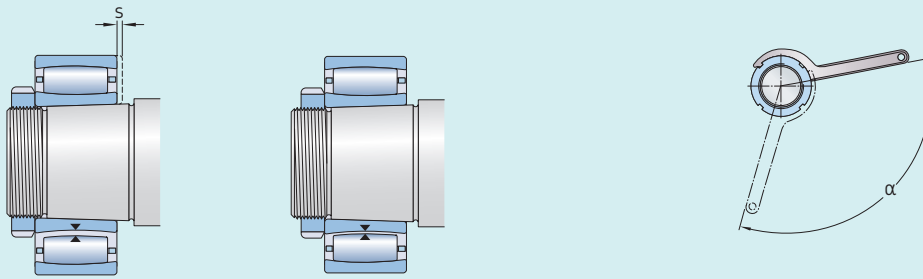
Mounting bearings with a tapered bore

Bearings with a tapered bore are mounted with an interference fit, by using one of the following methods:

- 1 **Measuring the clearance reduction** ([table 5, page 854](#))
- 2 **Measuring the lock nut tightening angle** ([table 5](#))
- 3 **Measuring the axial drive-up** ([table 5](#))
- 4 **Applying the SKF Drive-up Method**
For bearings with $d > 100$ mm, SKF recommends using the SKF Drive-up Method. This is a fast, reliable and safe method to achieve the appropriate interference fit. Additional information is available online at skf.com/drive-up.
- 5 **Measuring the inner ring expansion**
Additional information is available online at skf.com/sensormount.

For additional information about these mounting methods, refer to *Mounting bearings with a tapered bore*, [page 203](#), or the *SKF bearing maintenance handbook*.

Drive-up data for CARB bearings with a tapered bore



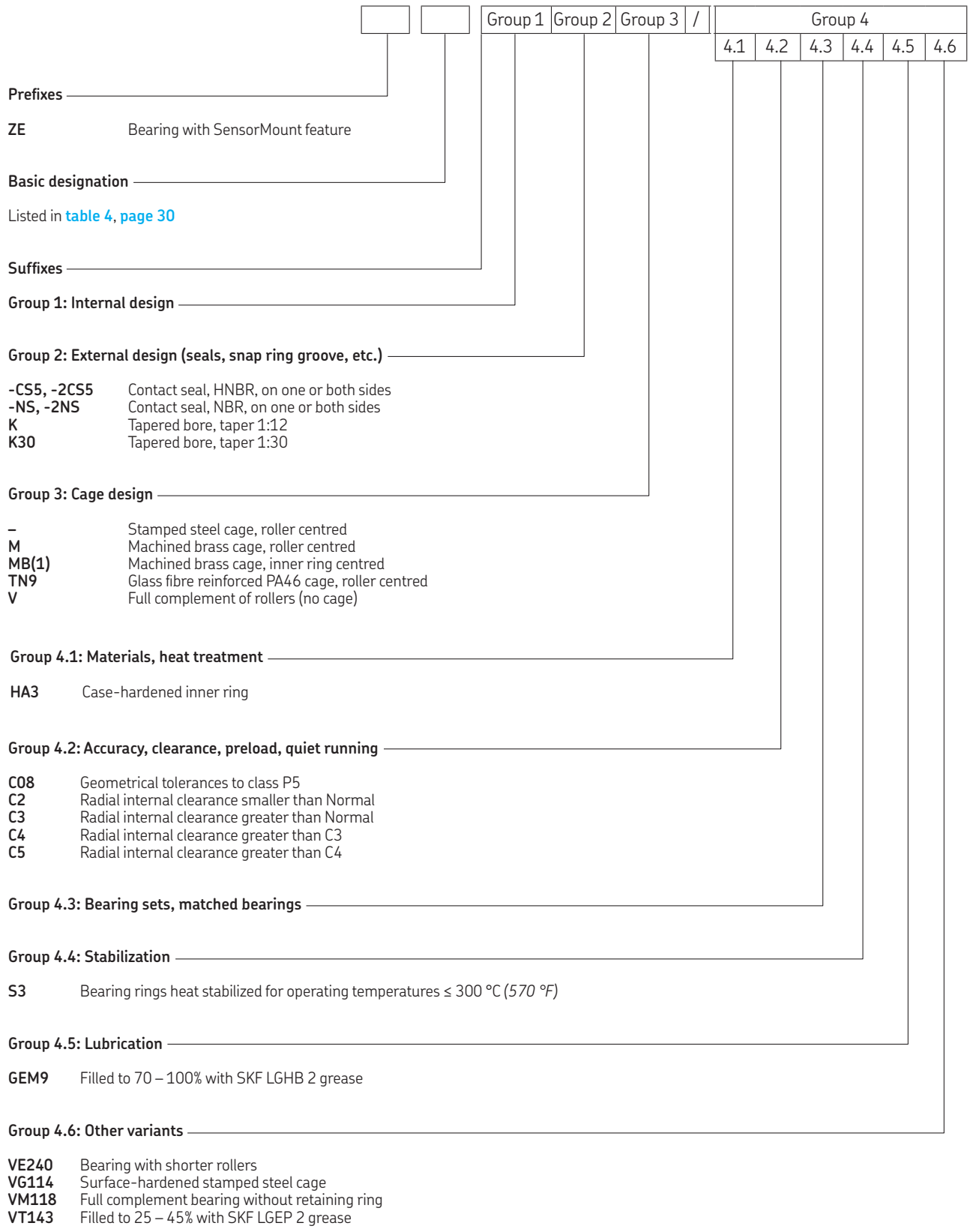
Bore diameter		Reduction of radial internal clearance		Axial drive-up ¹⁾²⁾				Lock nut tightening angle ²⁾
d				s			α	
>	≤	min.	max.	Taper 1:12	Taper 1:30		Taper 1:12	
mm		mm	mm	min.	max.	min.	max.	°
24	30	0,01	0,015	0,25	0,29	–	–	100
30	40	0,015	0,02	0,3	0,35	0,75	0,9	115
40	50	0,02	0,025	0,37	0,44	0,95	1,1	130
50	65	0,025	0,035	0,45	0,54	1,15	1,35	115
65	80	0,035	0,04	0,55	0,65	1,4	1,65	130
80	100	0,04	0,05	0,66	0,79	1,65	2	150
100	120	0,05	0,06	0,79	0,95	2	2,35	
120	140	0,06	0,075	0,93	1,1	2,3	2,8	
140	160	0,07	0,085	1,05	1,3	2,65	3,2	
160	180	0,08	0,095	1,2	1,45	3	3,6	
180	200	0,09	0,105	1,3	1,6	3,3	4	
200	225	0,1	0,12	1,45	1,8	3,7	4,45	
225	250	0,11	0,13	1,6	1,95	4	4,85	
250	280	0,12	0,15	1,8	2,15	4,5	5,4	
280	315	0,135	0,165	2	2,4	4,95	6	
315	355	0,15	0,18	2,15	2,65	5,4	6,6	
355	400	0,17	0,21	2,5	3	6,2	7,6	
400	450	0,195	0,235	2,8	3,4	7	8,5	
450	500	0,215	0,265	3,1	3,8	7,8	9,5	
500	560	0,245	0,3	3,4	4,1	8,4	10,3	
560	630	0,275	0,34	3,8	4,65	9,5	11,6	
630	710	0,31	0,38	4,25	5,2	10,6	13	
710	800	0,35	0,425	4,75	5,8	11,9	14,5	
800	900	0,395	0,48	5,4	6,6	13,5	16,4	
900	1 000	0,44	0,535	6	7,3	15	18,3	
1 000	1 120	0,49	0,6	6,4	7,8	16	19,5	
1 120	1 250	0,55	0,67	7,1	8,7	17,8	21,7	
1 250	1 400	0,61	0,75	8	9,7	19,9	24,3	
1 400	1 600	0,7	0,85	9,1	11,1	22,7	27,7	
1 600	1 800	0,79	0,96	10,2	12,5	25,6	31,2	

Applying the recommended values prevents the inner ring from creeping, but does not ensure correct radial internal clearance in operation. Additional influences from the bearing housing fit and temperature differences between the inner and outer rings must be considered carefully when selecting the bearing radial internal clearance class (*Selecting initial internal clearance*, [page 183](#)).

¹⁾ Not valid for the SKF Drive-up Method.

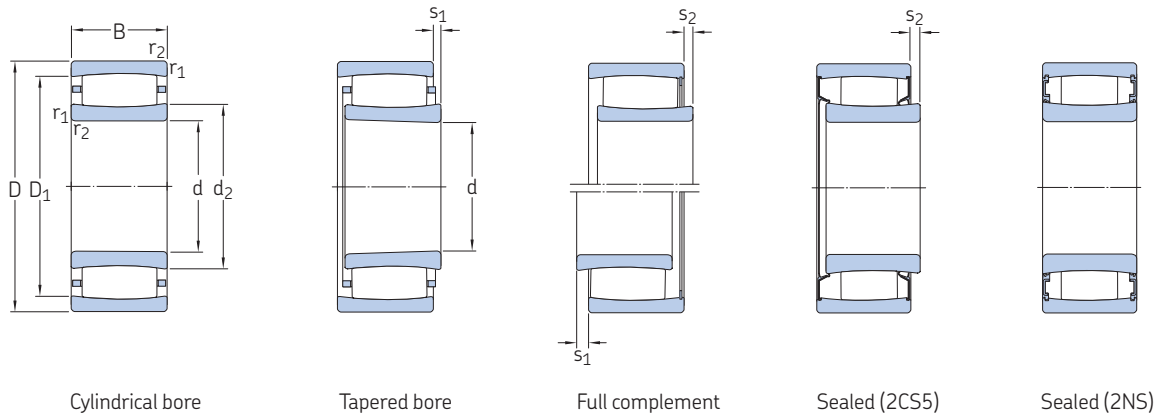
²⁾ The listed values are valid only for solid steel shafts and general applications. They are to be used as guideline values only, as it is difficult to establish an exact starting position. Also, the axial drive-up, s, differs slightly between the different bearings series.

Designation system



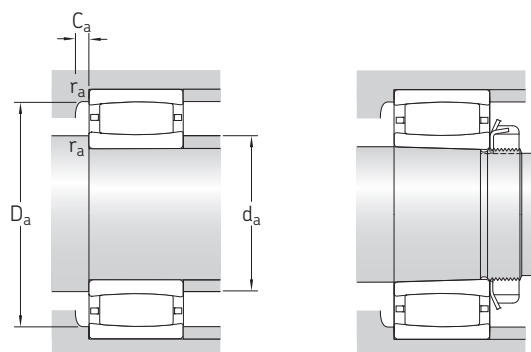
10.1 CARB toroidal roller bearings

d 30 – 70 mm



Principal dimensions			Basic load ratings		Fatigue load limit	Speed ratings		Mass	Designations	
d	D	B	C	C ₀	P _u	Reference speed	Limiting speed		Bearing with cylindrical bore	tapered bore
mm			kN		kN	r/min		kg	–	
30	55	45	134	180	21,2	–	3 200	0,49	▶ C 6006 V	–
	62	20	69,5	62	7,2	11 000	15 000	0,28	▶ C 2206 TN9	C 2206 KTN9
	62	20	76,5	71	8,3	–	6 000	0,29	C 2206 V	–
35	72	23	83	80	9,3	9 500	13 000	0,44	▶ C 2207 TN9	C 2207 KTN9
	72	23	95	96	11,2	–	5 300	0,46	C 2207 V	–
40	62	22	76,5	100	11,8	–	4 300	0,25	▶ C 4908 V	–
	80	23	90	86,5	10,2	8 000	11 000	0,51	▶ C 2208 TN9	C 2208 KTN9
	80	23	102	104	12,2	–	4 500	0,53	▶ C 2208 V	–
45	68	40	132	200	23,6	–	2 600	0,53	C 6909 V	–
	85	23	93	93	10,8	7 500	11 000	0,56	▶ C 2209 TN9	▶ C 2209 KTN9
	85	23	106	110	12,9	–	4 300	0,58	C 2209 V	–
50	72	22	86,5	125	14,6	–	3 600	0,29	C 4910 V	–
	72	40	140	224	26	–	2 400	0,54	▶ C 6910 V	–
	80	30	116	140	16,3	5 600	7 500	0,55	▶ C 4010 TN9	–
	80	30	137	176	20,8	–	3 000	0,58	C 4010 V	–
	90	23	98	100	11,8	7 000	9 500	0,6	▶ C 2210 TN9	▶ C 2210 KTN9
55	80	45	180	300	35,5	–	2 200	0,78	C 6911 V	–
	100	25	116	114	13,4	6 300	9 000	0,8	▶ C 2211 TN9	▶ C 2211 KTN9
	100	25	132	134	15,6	–	3 400	0,82	▶ C 2211 V	C 2211 KV
60	85	45	190	335	39	–	–	0,83	▶ C 6912-2NSV	–
	85	45	190	335	39	–	1 900	0,83	▶ C 6912 V	–
	110	28	143	156	18,3	5 600	7 500	1,1	▶ C 2212 TN9	▶ C 2212 KTN9
	110	28	166	190	22,4	–	2 800	1,15	C 2212 V	C 2212 KV
65	100	35	102	173	20,4	–	150	1,05	C 4013-2CS5V/GEM9	–
	120	31	180	180	21,2	5 300	7 500	1,45	▶ C 2213 TN9	▶ C 2213 KTN9
	120	31	204	216	25,5	–	2 400	1,5	C 2213 V	C 2213 KV
70	125	31	186	196	22,8	5 000	7 000	1,5	▶ C 2214 TN9	C 2214 KTN9
	125	31	212	228	26,5	–	2 400	1,55	C 2214 V	–
	150	51	405	430	49	3 800	5 000	4,3	▶ C 2314	C 2314 K

SKF Explorer bearing
▶ Popular item

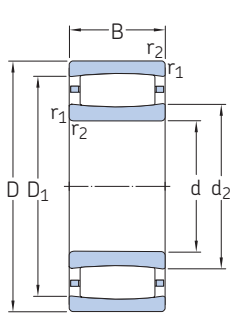


Dimensions			Abutment and fillet dimensions							Calculation factors			
d	d ₂ ≈	D ₁ ≈	r _{1,2} min.	s ₁ ¹⁾ max.	s ₂ ¹⁾ max.	d _a min.	d _a max.	D _a min.	D _a max.	C _a ²⁾ min.	r _a max.	k ₁	k ₂
mm						mm				-			
30	38,5	47,3	1	7,9	4,9	34,6	43	-	50,4	-	1	0,102	0,096
	37,4	53,1	1	4,5	-	35,6	37,4	50,6	56,4	0,3	1	0,101	0,111
	37,4	53,1	1	4,5	1,5	35,6	49	-	56,4	-	1	0,101	0,111
35	44,8	60,7	1,1	5,7	-	42	44,8	58,5	65	0,1	1	0,094	0,121
	44,8	60,7	1,1	5,7	2,7	42	57	-	65	-	1	0,094	0,121
40	46,1	55,3	0,6	4,7	1,7	43,2	52	-	58,8	-	0,6	0,099	0,114
	52,4	69,9	1,1	7,1	-	47	52,4	67,1	73	0,3	1	0,093	0,128
	52,4	69,9	1,1	7,1	4,1	47	66	-	73	-	1	0,093	0,128
45	52	59,5	0,6	9,4	6,4	48,2	55	-	64,8	-	0,6	0,091	0,113
	55,6	73,1	1,1	7,1	-	52	55,6	70,4	78	0,3	1	0,095	0,128
	55,6	73,1	1,1	7,1	4,1	52	69	-	78	-	1	0,095	0,128
50	56,9	66,1	0,6	4,7	1,7	53,2	62	-	68,8	-	0,6	0,103	0,114
	57,5	65	0,6	9,4	6,4	53,2	61	-	68,8	-	0,6	0,093	0,113
	57,6	70,8	1	6	-	54,6	57,6	69,7	75,4	0,1	1	0,103	0,107
	57,6	70,8	1	6	3	54,6	67	-	75,4	-	1	0,103	0,107
	61,9	79,4	1,1	7,1	-	57	61,9	76,7	83	-0,8	1	0,097	0,128
	61,9	79,4	1,1	7,1	3,9	57	73	-	83	-	1	0,097	0,128
55	62,7	71,5	1	7,9	4,9	59,6	67	-	75,4	-	1	0,107	0,096
	65,8	86,7	1,5	8,6	-	64	65,8	83,1	91	0,3	1,5	0,094	0,133
	65,8	86,7	1,5	8,6	5,4	64	80	-	91	-	1,5	0,094	0,133
60	68,7	77,5	1	-	0,5	64,6	68,7	-	80,4	-	1	0,108	0,096
	68,7	77,5	1	7,9	4,7	64,6	72	-	80,4	-	1	0,108	0,096
	77,1	97,9	1,5	8,5	-	69	77,1	94,7	101	0,3	1,5	0,1	0,123
	77,1	97,9	1,5	8,5	5,3	69	91	-	101	-	1,5	0,1	0,123
65	78,6	87,5	1,1	-	5,9	71	78,6	-	94	-	1	0,071	0,181
	79	106	1,5	9,6	-	74	79	102	111	0,2	1,5	0,097	0,127
	79	106	1,5	9,6	5,3	74	97	-	111	-	1,5	0,097	0,127
70	83,7	111	1,5	9,6	-	79	83,7	107	116	0,4	1,5	0,098	0,127
	83,7	111	1,5	9,6	5,3	79	102	-	116	-	1,5	0,098	0,127
	91,4	130	2,1	9,1	-	82	106	119	138	2,2	2	0,11	0,099

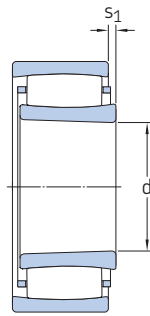
¹⁾ → Verification of axial displacement, page 850
²⁾ → Free space on both sides of the bearing, page 852, negative values used only for calculation

10.1 CARB toroidal roller bearings

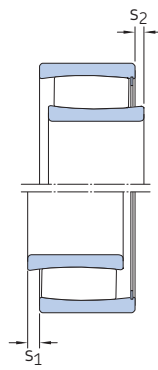
d 75 – 110 mm



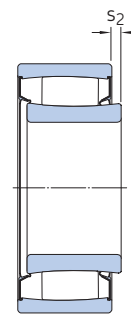
Cylindrical bore



Tapered bore



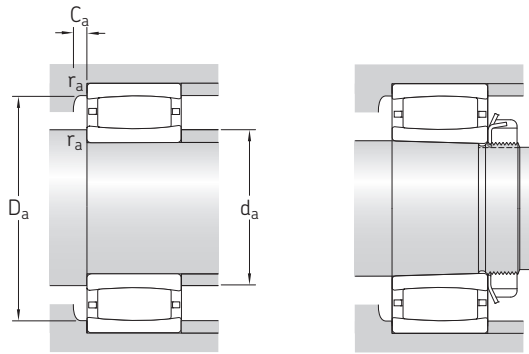
Full complement



Sealed (2CS5)

Principal dimensions			Basic load ratings		Fatigue load limit	Speed ratings		Mass	Designations		
d	D	B	C	C ₀	P _u	Reference speed	Limiting speed		Bearing with cylindrical bore	tapered bore	
mm			kN		kN	r/min		kg	–		
75	105	40	166	232	30	–	130	3,9	▶ C 5915-2CS5V/GEM9	–	
	105	40	204	325	38	–	1 900	1,1	▶ C 5915 V	–	
	105	54	204	325	37,5	–	140	1,4	C 6915-2CS5V/GEM9	–	
	105	54	204	325	37,5	–	1 900	1,4	C 6915 V/VE240	–	
	115	40	208	345	40,5	–	2 000	1,6	C 4015 V	–	
	130	31	196	208	24	4 800	6 700	1,6	▶ C 2215	▶ C 2215 K	
	130	31	220	240	28	–	2 200	1,65	C 2215 V	C 2215 KV	
	160	55	425	465	52	3 600	4 800	5,3	▶ C 2315	▶ C 2315 K	
	80	140	33	220	250	28,5	4 300	6 000	2,05	▶ C 2216	▶ C 2216 K
		140	33	255	305	34,5	–	2 000	2,15	C 2216 V	C 2216 KV
170		58	510	550	60	3 400	4 500	6,3	▶ C 2316	▶ C 2316 K	
85	150	36	275	320	35,5	4 000	5 600	2,65	▶ C 2217	▶ C 2217 K	
	180	60	540	600	64	3 200	4 300	7,4	▶ C 2317	▶ C 2317 K	
90	125	46	193	325	37,5	2 600	4 000	1,75	C 5918 MB	–	
	125	46	224	400	44	–	110	1,75	C 5918-2CS5V/GEM9	–	
	125	46	224	400	45,5	–	1 600	1,75	▶ C 5918 V	–	
95	160	40	325	380	41,5	3 800	5 300	3,3	▶ C 2218	▶ C 2218 K	
	190	64	610	695	73,5	2 800	4 000	8,65	▶ C 2318	C 2318 K	
95	200	67	610	695	73,5	2 800	4 000	10	C 2319	C 2319 K	
100	150	50	355	530	58,5	–	1 400	3,05	▶ C 4020 V	–	
	150	67	510	865	95	–	1 100	4,3	▶ C 5020 V	–	
	165	52	475	655	71	–	1 300	4,45	▶ C 3120 V	–	
	165	65	475	655	69,5	–	90	5,2	C 4120-2CS5V/GEM9	–	
	165	65	475	655	71	–	1 300	5,3	C 4120 V/VE240	–	
	180	46	415	465	49	3 600	4 800	4,95	▶ C 2220	▶ C 2220 K	
	215	73	800	880	90	2 600	3 600	12,5	▶ C 2320	▶ C 2320 K	
	110	170	60	415	585	63	–	85	4,6	C 4022-2CS5V/GEM9	–
		170	60	430	655	69,5	2 600	3 400	5,3	C 4022 MB	–
		170	60	500	800	85	–	1 200	5,2	C 4022 V	–
110	180	69	500	710	75	–	80	6,6	C 4122-2CS5V/GEM9	–	
	180	69	670	1 000	104	–	900	7,1	▶ C 4122 V	–	
	200	53	530	620	64	3 200	4 300	7	▶ C 2222	▶ C 2222 K	

SKF Explorer bearing
▶ Popular item



Dimensions			Abutment and fillet dimensions								Calculation factors			
d	d ₂ ≈	D ₁ ≈	r _{1,2} min.	s ₁ ¹⁾ max.	s ₂ ¹⁾ max.	d _a min.	d _a max.	D _a min.	D _a max.	C _a ²⁾ min.	r _a max.	k ₁	k ₂	
mm						mm					-			
75	82,9	96,1	1	-	5	79,6	84,1	-	100	-	1	0,083	0,142	
	83,6	95,5	1	9,4	6,2	79,6	89	-	100	-	1	0,098	0,114	
	83,6	95,5	1	-	7,1	79,6	83	-	100	-	1	0,073	0,154	
75	83,6	95,5	1	9,2	9,2	79,6	88	-	100	-	1	0,073	0,154	
	88,7	101	1,1	9,4	5,1	81	94	-	109	-	1	0,099	0,114	
	88,5	116	1,5	9,6	-	84	98,3	106	121	1,2	1,5	0,099	0,127	
	88,5	116	1,5	9,6	5,3	84	107	-	121	-	1,5	0,099	0,127	
75	98,5	137	2,1	13,1	-	87	113	126	148	2,2	2	0,103	0,107	
	80	98,1	125	2	9,1	-	91	107	116	129	1,2	2	0,104	0,121
		98,1	125	2	9,1	4,8	91	116	-	129	-	2	0,104	0,121
80	102	146	2,1	10,1	-	92	119	133	158	2,4	2	0,107	0,101	
	85	103	133	2	7,1	-	96	114	123	139	1,3	2	0,114	0,105
110		153	3	12,1	-	99	126	141	166	2,4	2,5	0,105	0,105	
90	100	113	1,1	2,9	-	96	99	113	119	-0,9	1	0	0,131	
	102	113	1,1	-	4,5	96	101	-	119	-	1	0,089	0,131	
	102	113	1,1	15,4	11,1	96	106	-	119	-	1	0,089	0,131	
90	111	144	2	9,5	-	101	124	133	149	1,4	2	0,104	0,117	
	119	166	3	9,6	-	104	138	154	176	2	2,5	0,108	0,101	
95	119	166	3	12,6	-	109	138	154	186	2,1	2,5	0,103	0,106	
100	113	135	1,5	14	9,7	107	126	-	143	-	1,5	0,098	0,118	
	114	136	1,5	9,3	5	107	127	-	143	-	1,5	0,112	0,094	
	119	150	2	10,1	4,7	111	136	-	154	-	2	0,112	0,1	
100	120	148	2	-	7,3	111	119	-	154	-	2	0,09	0,125	
	120	148	2	17,7	17,7	111	135	-	154	-	2	0,09	0,125	
	118	157	2,1	10,1	-	112	134	146	168	0,9	2	0,108	0,11	
	126	185	3	11	-	114	150	168	201	3,2	2,5	0,113	0,096	
110	128	155	2	-	7,9	119	127	-	161	-	2	0,142	0,083	
	126	150	2	4,8	-	120	125	146	160	1,3	2	0	0,103	
	126	150	2	12	6,6	120	136	-	160	-	2	0,107	0,103	
	130	161	2	-	8,2	121	130	-	169	-	2	0,086	0,133	
110	132	163	2	11,4	4,6	121	149	-	169	-	2	0,111	0,097	
	132	176	2,1	11,1	-	122	150	161	188	1,9	2	0,113	0,103	

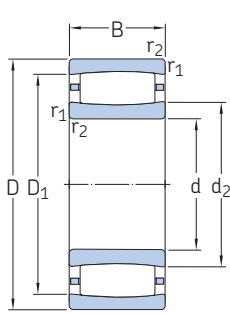
¹⁾ → Verification of axial displacement, page 850

²⁾ → Free space on both sides of the bearing, page 852, negative values used only for calculation

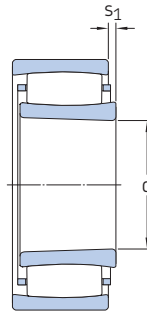


10.1 CARB toroidal roller bearings

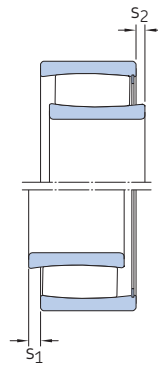
d 120 – 170 mm



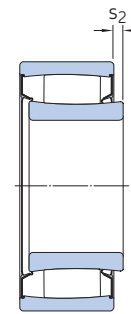
Cylindrical bore



Tapered bore



Full complement

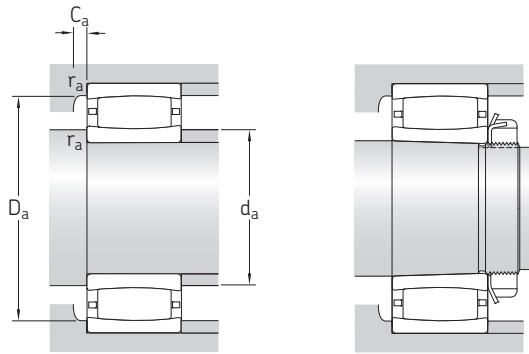


Sealed (2CS5)

Principal dimensions			Basic load ratings		Fatigue load limit	Speed ratings		Mass	Designations	
d	D	B	C	C ₀		Reference speed	Limiting speed		Bearing with cylindrical bore	tapered bore
mm			kN		kN	r/min	kg	–		
120	180	46	430	640	65,5	–	1 400	4,1	C 3024 V	–
	180	60	430	640	67	–	80	5,1	C 4024-2CS5V/GEM9	–
	180	60	430	640	65,5	–	1 400	5,05	C 4024 V/VE240	C 4024 K30V/VE240
120	180	60	530	880	91,5	–	1 100	5,55	▶ C 4024 V	C 4024 K30V
	200	80	780	1 120	114	–	750	10	C 4124 V	–
	215	76	750	980	98	2 400	3 200	12	▶ C 3224	▶ C 3224 K
130	200	69	550	830	85	–	70	7,5	C 4026-2CS5V/GEM9	–
	200	69	620	930	93	2 200	2 800	7,85	▶ C 4026	C 4026 K30
	200	69	720	1 120	112	–	850	8,15	▶ C 4026 V	C 4026 K30V
130	210	80	750	1 100	108	–	70	10,5	C 4126-2CS5V/GEM9	–
	230	64	735	930	91,5	2 800	3 800	11,5	▶ C 2226	▶ C 2226 K
	280	93	980	1 220	114	2 400	3 200	27	C 2326 K/VE240	–
140	210	69	750	1 220	120	–	800	8,6	▶ C 4028 V	C 4028 K30V
	225	85	780	1 200	116	–	63	12,5	C 4128-2CS5V/GEM9	–
	225	85	780	1 200	116	–	800	12,5	C 4128 V/VE240	–
140	250	68	830	1 060	102	2 400	3 200	14	▶ C 2228	▶ C 2228 K
	225	56	540	850	81,5	2 400	3 200	8,45	C 3030 MB	–
	225	56	585	960	93	–	1 000	8	C 3030 V	C 3030 KV
150	225	75	585	965	93	–	63	10	C 4030-2CS5V/GEM9	–
	225	75	780	1 320	127	–	750	10,5	▶ C 4030 V	C 4030 K30V
	250	80	880	1 290	122	2 000	2 800	15,5	C 3130	C 3130 K
150	250	100	1 220	1 860	176	–	450	20	▶ C 4130 V	–
	270	73	980	1 220	114	2 400	3 200	18	▶ C 2230	C 2230 K
	240	80	765	1 160	110	1 700	2 400	12,5	▶ C 4032	C 4032 K30
160	240	80	830	1 290	122	–	60	12,5	C 4032-2CS5V/GEM9	–
	240	80	915	1 460	140	–	600	13	▶ C 4032 V	C 4032 K30V
	270	86	1 000	1 400	129	1 900	2 600	21,5	C 3132	C 3132 K
160	290	104	1 370	1 830	170	1 800	2 400	29,5	C 3232	C 3232 K
	260	67	750	1 080	100	2 200	2 800	12,5	C 3034 M	–
	260	90	1 140	1 860	173	–	500	17,5	▶ C 4034 V	C 4034 K30V
170	310	86	1 270	1 630	146	1 900	2 600	28	C 2234	C 2234 K

SKF Explorer bearing

▶ Popular item

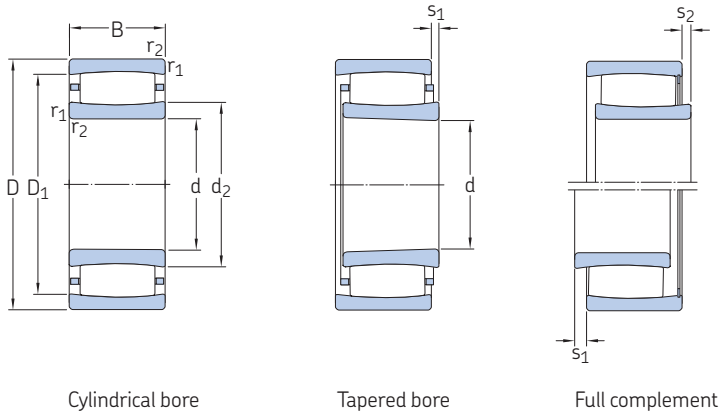


Dimensions			Abutment and fillet dimensions							Calculation factors			
d	d ₂ ≈	D ₁ ≈	r _{1,2} min.	s ₁ ¹⁾ max.	s ₂ ¹⁾ max.	d _a min.	d _a max.	D _a min.	D _a max.	C _a ²⁾ min.	r _a max.	k ₁	k ₂
mm						mm				-			
120	138	166	2	10,6	3,8	130	154	-	170	-	2	0,111	0,109
	140	164	2	-	7,5	129	139	-	171	-	2	0,085	0,142
	139	164	2	17,8	17,8	130	152	-	170	-	2	0,085	0,142
	140	164	2	12	5,2	130	152	-	170	-	2	0,109	0,103
	140	176	2	18	11,2	131	160	-	189	-	2	0,104	0,103
	149	190	2,1	17,1	-	132	162	179	203	2,4	2	0,103	0,108
130	152	182	2	-	8,2	139	151	-	191	-	2	0,089	0,133
	149	181	2	11,4	-	140	157	174	190	1,9	2	0,113	0,097
	149	181	2	11,4	4,6	140	167	-	190	-	2	0,113	0,097
	153	190	2	-	7,5	141	152	-	199	-	2	0,09	0,126
	152	199	3	9,6	-	144	171	185	216	1,1	2,5	0,113	0,101
	179	234	4	31,2	-	-	-	216	263	-7,5	3	0,093	0,122
140	161	193	2	11,4	5,9	150	177	-	200	-	2	0,115	0,097
	167	204	2,1	-	8,9	152	166	-	213	-	2	0,086	0,134
	166	204	2,1	9,7	9,7	152	189	-	213	-	2	0,086	0,134
	173	223	3	13,7	-	154	191	207	236	2,3	2,5	0,109	0,108
150	173	204	2,1	8,7	-	161	172	198	214	1,3	2	0	0,108
	174	204	2,1	14,1	7,3	161	190	-	214	-	2	0,113	0,108
	175	204	2,1	-	10,8	161	174	-	214	-	2	0,084	0,144
	173	204	2,1	17,4	10,6	161	189	-	214	-	2	0,107	0,106
	182	226	2,1	13,9	-	162	196	214	238	2,3	2	0,12	0,092
	179	222	2,1	20	10,1	162	204	-	238	-	2	0,105	0,103
	177	236	3	11,2	-	164	202	215	256	2,5	2,5	0,119	0,096
160	181	217	2,1	18,1	-	171	190	209	229	2,2	2	0,109	0,103
	180	218	2,1	-	7,7	171	180	-	229	-	2	0,093	0,126
	181	217	2,1	18,1	8,2	171	199	-	229	-	2	0,109	0,103
	191	240	2,1	10,3	-	172	208	229	258	2,4	2	0,112	0,099
	194	256	3	19,3	-	174	218	242	276	2,6	2,5	0,112	0,096
170	195	236	2,1	19	-	181	210	226	249	1,2	2	0,105	0,117
	195	236	2,1	17,1	7,2	181	218	-	249	-	2	0,108	0,103
	209	274	4	16,4	-	187	233	254	293	3	3	0,114	0,1

¹⁾ → Verification of axial displacement, page 850
²⁾ → Free space on both sides of the bearing, page 852, negative values used only for calculation

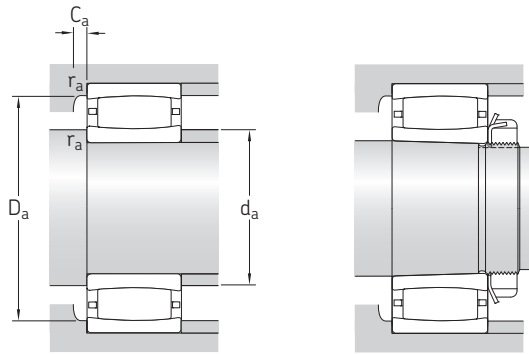
10.1 CARB toroidal roller bearings

d 180 – 360 mm



Principal dimensions			Basic load ratings		Fatigue load limit	Speed ratings		Mass	Designations	
d	D	B	C	C ₀	P _u	Reference speed	Limiting speed		Bearing with cylindrical bore	tapered bore
mm			kN		kN	r/min		kg	–	
180	280	74	880	1 340	122	2 000	2 600	17	C 3036	C 3036 K
	280	100	1 320	2 120	196	–	430	23,5	C 4036 V	–
	300	96	1 250	1 730	156	1 700	2 400	26,5	▶ C 3136	▶ C 3136 K
	300	118	1 760	2 700	240	–	220	34,5	C 4136 V	–
	320	112	1 530	2 200	193	1 500	2 000	38	C 3236	C 3236 K
	320	128	2 000	2 500	208	1 500	2 000	57,5	C 2244	C 2244 K
190	290	75	930	1 460	132	1 800	2 400	17,5	C 3038	C 3038 K
	320	104	1 700	2 550	224	–	190	34	C 3138 V	C 3138 KV
	340	92	1 370	1 730	153	1 800	2 400	34,5	▶ C 2238	C 2238 K
200	310	82	1 120	1 730	153	1 700	2 400	22,5	▶ C 3040	C 3040 K
	310	109	1 630	2 650	236	–	260	30,5	C 4040 V	–
	340	112	1 600	2 320	200	1 500	2 000	41	▶ C 3140	▶ C 3140 K
220	340	90	1 320	2 040	176	1 600	2 200	29,5	▶ C 3044	▶ C 3044 K
	340	118	1 930	3 250	280	–	200	40	C 4044 V	C 4044 K30V
	370	120	1 900	2 900	245	1 400	1 800	52	▶ C 3144	▶ C 3144 K
	400	108	2 000	2 500	208	1 500	2 000	57,5	C 2244	C 2244 K
240	360	92	1 340	2 160	183	1 500	2 000	32	C 3048	C 3048 K
	400	128	2 320	3 450	285	1 300	1 700	64	▶ C 3148	▶ C 3148 K
260	400	104	1 760	2 850	232	1 300	1 800	47	C 3052	C 3052 K
	440	144	2 650	4 050	325	1 100	1 500	88	▶ C 3152	▶ C 3152 K
280	420	106	1 860	3 100	250	1 200	1 600	50,5	C 3056	C 3056 K
	460	146	2 850	4 500	355	1 100	1 400	94,5	C 3156	C 3156 K
300	460	118	2 160	3 750	290	1 100	1 500	72	C 3060 M	C 3060 KM
	460	160	2 900	4 900	390	900	1 200	95,5	C 4060 M	C 4060 K30M
	500	160	3 250	5 200	400	950	1 300	125	C 3160	C 3160 K
320	480	121	2 280	4 000	305	1 000	1 400	78	C 3064 M	C 3064 KM
	540	176	4 150	6 300	480	900	1 300	164	▶ C 3164 M	C 3164 KM
340	520	133	2 900	5 000	375	950	1 300	100	C 3068 M	C 3068 KM
	580	190	4 900	7 500	560	850	1 100	205	C 3168 M	C 3168 KM
	580	243	5 600	9 150	680	670	900	271	C 4168 K30MB	–
360	480	90	1 760	3 250	245	1 000	1 400	45	C 3972 M	C 3972 KM
	540	134	2 900	5 000	375	900	1 300	106	C 3072 M	C 3072 KM
	600	192	5 000	8 000	585	800	1 100	220	C 3172 M	C 3172 KM

SKF Explorer bearing
▶ Popular item



Dimensions			Abutment and fillet dimensions								Calculation factors		
d	d ₂ ≈	D ₁ ≈	r _{1,2} min.	s ₁ ¹⁾ max.	s ₂ ¹⁾ max.	d _a min.	d _a max.	D _a min.	D _a max.	C _a ²⁾ min.	r _a max.	k ₁	k ₂
mm						mm					-		
180	209	251	2,1	15,1	-	191	223	239	269	2	2	0,112	0,105
	203	247	2,1	20,1	10,2	191	229	-	269	-	2	0,107	0,103
	210	266	3	23,2	-	194	231	252	286	2,2	2,5	0,102	0,111
	211	265	3	20	10,1	194	223	-	286	-	2,5	0,1	0,108
	228	289	4	27,3	-	197	249	271	303	3,2	3	0,107	0,104
	190	225	266	2,1	16,1	-	201	238	254	279	1,9	2	0,113
228		289	3	19	9,1	204	267	-	306	-	2,5	0,115	0,096
224		296	4	22,5	-	207	254	275	323	1,6	3	0,108	0,108
200	235	285	2,1	15,2	-	211	250	272	299	2,9	2	0,123	0,095
	228	280	2,1	21	11,1	211	263	-	299	-	2	0,11	0,101
	244	305	3	27,3	-	214	264	288	326	-0,6	2,5	0,108	0,104
220	257	310	3	17,2	-	233	274	295	327	3,1	2,5	0,114	0,104
	251	306	3	20	10,1	233	284	-	327	-	2,5	0,115	0,095
	268	333	4	22,3	-	237	290	315	353	3,5	3	0,114	0,097
	259	350	4	20,5	-	237	298	321	383	1,7	3	0,113	0,101
240	276	329	3	19,2	-	253	293	312	347	1,3	2,5	0,113	0,106
	281	357	4	20,4	-	257	309	334	383	3,7	3	0,116	0,095
260	305	367	4	19,3	-	275	326	349	385	3,4	3	0,122	0,096
	314	394	4	26,4	-	277	341	371	423	4,1	3	0,115	0,096
280	328	389	4	21,3	-	295	352	373	405	1,8	3	0,121	0,098
	336	416	5	28,4	-	300	363	392	440	4,1	4	0,115	0,097
300	351	417	4	20	-	315	376	402	445	1,7	3	0,123	0,095
	338	410	4	30,4	-	315	362	396	445	2,8	3	0,105	0,106
	362	448	5	30,5	-	320	392	422	480	4,9	4	0,106	0,106
320	375	441	4	23,3	-	335	398	426	465	1,8	3	0,121	0,098
	371	477	5	26,7	-	340	411	452	520	4,2	4	0,114	0,096
340	394	475	5	25	-	358	430	454	502	2,1	4	0,12	0,099
	402	517	5	25,9	-	360	446	489	560	4,2	4	0,118	0,093
	403	514	5	20,2	-	-	-	487	560	10,7	4	0	0,096
360	394	450	3	17,2	-	373	409	435	467	1,6	2,5	0,127	0,104
	416	497	5	26,4	-	378	448	476	522	2	4	0,12	0,099
	423	537	5	27,9	-	380	464	507	580	3,9	4	0,117	0,094

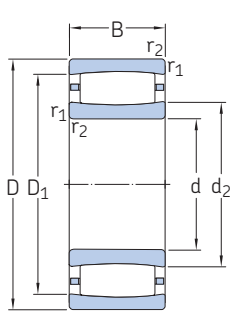
¹⁾ → Verification of axial displacement, page 850

²⁾ → Free space on both sides of the bearing, page 852, negative values used only for calculation

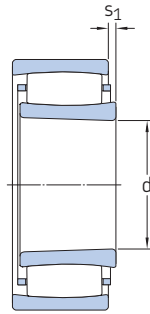


10.1 CARB toroidal roller bearings

d 380 – 630 mm



Cylindrical bore

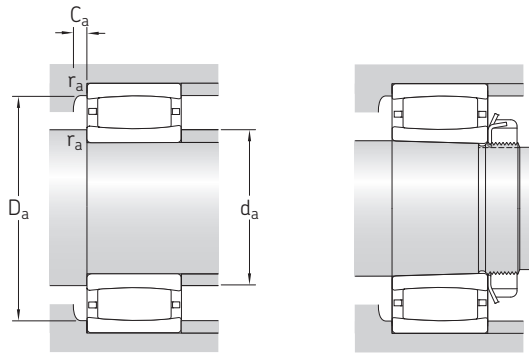


Tapered bore

Principal dimensions			Basic load ratings		Fatigue load limit	Speed ratings		Mass	Designations	
d	D	B	C	C ₀	P _u	Reference speed	Limiting speed		Bearing with cylindrical bore	tapered bore
mm			kN		kN	r/min		kg	–	
380	560	135	3 000	5 200	380	900	1 200	110	C 3076 M	C 3076 KM
	620	194	4 400	7 200	520	750	1 000	243	C 3176 MB	C 3176 KMB
400	540	106	2 120	4 000	290	900	1 300	66,5	C 3980 KM	–
	600	148	3 650	6 200	450	800	1 100	145	C 3080 M	C 3080 KM
	650	200	4 800	8 300	585	700	950	258	C 3180 M	C 3180 KM
420	560	106	2 160	4 250	310	850	1 200	72	C 3984 M	C 3984 KM
	620	150	3 800	6 400	455	800	1 100	150	C 3084 M	C 3084 KM
	700	224	6 000	10 400	720	670	900	355	C 3184 M	C 3184 KM
440	650	157	3 750	6 400	450	750	1 000	190	C 3088 MB	C 3088 KMB
	720	226	6 700	11 400	780	630	850	385	C 3188 MB	C 3188 KMB
	720	280	7 500	12 900	900	500	670	471	C 4188 MB	C 4188 K30MB
460	680	163	4 000	7 500	520	700	950	205	C 3092 M	C 3092 KM
	760	240	6 800	12 000	815	600	800	435	C 3192 M	C 3192 KM
	760	300	8 650	15 000	1 020	480	630	571	C 4192 MB	C 4192 K30MB
480	830	296	9 300	15 000	1 000	530	750	735	C 3292 MB	C 3292 KMB
	650	128	3 100	6 100	425	750	1 000	120	C 3996 M	–
	700	165	4 050	7 800	530	670	900	215	C 3096 M	C 3096 KM
500	790	248	6 950	12 500	830	560	750	523	C 3196 MB	C 3196 KMB
	670	128	3 150	6 300	430	700	950	125	C 39/500 M	C 39/500 KM
	720	167	4 250	8 300	560	630	900	225	C 30/500 M	–
530	830	264	7 500	12 700	850	530	750	560	C 31/500 M	C 31/500 KM
	830	325	9 800	17 600	1 160	430	560	710	C 41/500 M	C 41/500 K30M
	780	185	5 100	9 500	630	600	800	300	C 30/530 M	C 30/530 KM
560	870	272	8 800	15 600	1 020	500	670	636	C 31/530 M	C 31/530 KM
	750	140	3 600	7 350	490	600	850	175	C 39/560 M	C 39/560 KM
	820	195	5 600	11 000	720	530	750	350	C 30/560 M	C 30/560 KM
600	920	355	10 400	19 600	1 270	380	500	989	C 41/560 K30MB	–
	870	200	6 300	12 200	780	500	700	395	C 30/600 M	C 30/600 KM
	980	300	10 200	18 000	1 140	430	600	929	C 31/600 MB	C 31/600 KMB
630	980	375	12 900	23 200	1 460	340	450	1 150	C 41/600 MB	C 41/600 K30MB
	850	165	4 650	10 000	640	530	700	275	C 39/630 M	C 39/630 KM
	920	212	6 800	12 900	815	480	670	470	C 30/630 M	C 30/630 KM
	1 030	315	11 800	20 800	1 290	400	560	1 090	C 31/630 MB	C 31/630 KMB

SKF Explorer bearing

► Popular item



Dimensions			Abutment and fillet dimensions								Calculation factors		
d	d ₂ ≈	D ₁ ≈	r _{1,2} min.	s ₁ ¹⁾ max.	s ₂ ¹⁾ max.	d _a min.	d _a max.	D _a min.	D _a max.	C _a ²⁾ min.	r _a max.	k ₁	k ₂
mm						mm					-		
380	431	512	5	27	-	398	462	491	542	2	4	0,12	0,1
	446	551	5	25,4	-	400	445	526	600	7,3	4	0	0,106
400	439	501	4	21	-	-	-	487	525	1,8	3	0,13	0,098
	457	554	5	30,6	-	418	486	523	582	2,1	4	0,121	0,099
	488	589	6	50,7	-	426	525	566	624	4	5	0,106	0,109
420	461	523	4	21,3	-	435	484	510	545	1,8	3	0,132	0,098
	475	571	5	32,6	-	438	513	544	602	2,2	4	0,12	0,1
	507	618	6	34,8	-	446	544	592	674	3,8	5	0,113	0,098
440	490	587	6	24,6	-	463	489	563	627	1,7	5	0	0,105
	522	647	6	16	-	466	521	613	694	7,5	5	0	0,099
	510	637	6	27,8	-	466	509	606	694	7,3	5	0	0,1
460	539	624	6	33,5	-	483	570	604	657	2,3	5	0,114	0,108
	559	679	7,5	51	-	492	603	651	728	4,2	6	0,108	0,105
	537	671	7,5	23,3	-	477	536	638	728	12,6	6	0	0,097
	555	720	7,5	32,4	-	492	554	676	798	11	6	0	0,106
480	528	604	5	20,4	-	498	552	585	632	2	4	0,133	0,095
	555	640	6	35,5	-	503	586	620	677	2,3	5	0,113	0,11
	578	701	7,5	35,1	-	512	577	673	758	8,7	6	0	0,109
500	555	632	5	20,4	-	518	580	614	652	2	4	0,135	0,095
	571	656	6	37,5	-	523	600	637	697	2,3	5	0,113	0,111
	605	738	7,5	75,3	-	532	654	706	798	-11,7	6	0,099	0,116
	600	740	7,5	46,3	-	532	637	721	798	5,9	6	0,115	0,093
530	601	705	6	35,7	-	553	638	681	757	2,5	5	0,12	0,101
	635	781	7,5	44,4	-	562	685	745	838	5,4	6	0,115	0,097
560	621	701	5	32,4	-	578	648	682	732	2,3	4	0,128	0,104
	659	761	6	45,7	-	583	696	736	797	2,7	5	0,116	0,106
	664	802	7,5	23	-	-	-	770	888	13,8	6	0	0,101
600	692	805	6	35,9	-	623	728	776	847	2,7	5	0,125	0,098
	705	871	7,5	26,1	-	632	704	827	948	5,1	6	0	0,107
	697	869	7,5	24,6	-	632	696	823	948	5,5	6	0	0,097
630	699	785	6	35,5	-	653	723	766	827	2,4	5	0,121	0,11
	716	840	7,5	48,1	-	658	759	807	892	2,9	6	0,118	0,104
	741	916	7,5	23,8	-	662	740	868	998	5,7	6	0	0,102

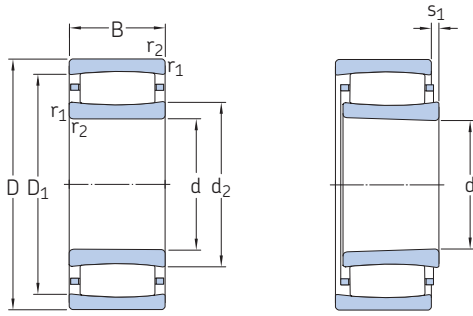
¹⁾ → Verification of axial displacement, page 850

²⁾ → Free space on both sides of the bearing, page 852, negative values used only for calculation



10.1 CARB toroidal roller bearings

d 670 – 1 700 mm



Cylindrical bore

Tapered bore

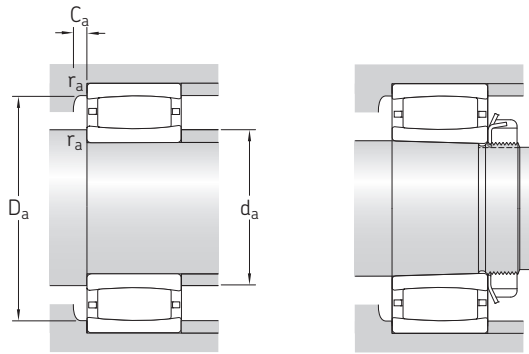
Principal dimensions			Basic load ratings		Fatigue load limit	Speed ratings		Mass	Designations	
d	D	B	C	C ₀	P _u	Reference speed	Limiting speed		Bearing with cylindrical bore	tapered bore
mm			kN		kN	r/min		kg	–	
670	980	230	8 150	16 300	1 000	430	600	590	C 30/670 M	▶ C 30/670 KM
	1 090	336	11 800	21 200	1 290	380	500	1 300	C 31/670 MB	C 31/670 KMB
	1 090	412	16 000	29 000	1 760	300	400	1 570	C 41/670 MB	C 41/670 K30MB
710	950	180	6 000	12 500	780	450	630	360	C 39/710 M	C 39/710 KM
	1 030	236	8 800	17 300	1 060	400	560	655	C 30/710 M	C 30/710 KM
	1 030	315	10 600	21 600	1 320	320	430	865	C 40/710 M	C 40/710 K30M
	1 150	345	13 400	25 500	1 530	340	480	1 470	C 31/710 MB	C 31/710 KMB
750	1 000	185	6 100	13 400	815	430	560	410	C 39/750 M	C 39/750 KM
	1 090	250	9 500	19 300	1 160	380	530	838	C 30/750 MB	▶ C 30/750 KMB
	1 220	365	16 000	30 500	1 800	320	450	1 800	C 31/750 MB	C 31/750 KMB
800	1 060	195	6 400	14 600	880	380	530	480	C 39/800 M	–
	1 150	258	9 300	19 300	1 140	360	480	941	C 30/800 MB	C 30/800 KMB
850	1 120	200	7 350	16 300	960	360	480	540	C 39/850 M	C 39/850 KM
	1 220	272	11 600	24 500	1 430	320	450	1 110	C 30/850 MB	C 30/850 KMB
900	1 280	280	12 700	26 500	1 530	300	400	1 200	C 30/900 MB	C 30/900 KMB
950	1 360	300	13 200	28 500	1 600	280	380	1 480	C 30/950 MB	–
1 000	1 420	308	13 700	30 500	1 700	260	360	1 680	C 30/1000 MB	–
	1 580	462	20 400	45 500	2 500	220	300	3 800	C 31/1000 MB	C 31/1000 KMB
1 060	1 400	250	11 000	26 000	1 430	260	360	1 120	C 39/1060 MB	C 39/1060 KMB
1 120	1 460	335	13 200	31 500	1 700	200	260	1 630	C 49/1120 MB1	–
1 180	1 540	272	13 400	33 500	1 800	220	300	1 400	▶ C 39/1180 MB	–
1 500	1 950	335	19 600	48 000	2 400	140	200	2 710	▶ C 39/1500 MB	–
1 700	2 180	355	24 000	62 000	3 000	110	150	3 510	C 39/1700 MB	–

10.1



SKF Explorer bearing

▶ Popular item



Dimensions			Abutment and fillet dimensions								Calculation factors		
d	d ₂ ≈	D ₁ ≈	r _{1,2} min.	s ₁ ¹⁾ max.	s ₂ ¹⁾ max.	d _a min.	d _a max.	D _a min.	D _a max.	C _a ²⁾ min.	r _a max.	k ₁	k ₂
mm						mm					-		
670	775	905	7,5	41,1	-	698	820	874	952	2,9	6	0,121	0,101
	792	964	7,5	41	-	702	791	922	1 058	11,4	6	0	0,109
	779	967	7,5	37,2	-	702	778	920	1 058	16,7	6	0	0,097
710	772	877	6	30,7	-	733	797	847	927	2,7	5	0,131	0,098
	806	946	7,5	47,3	-	738	853	908	1 002	3,2	6	0,119	0,104
	803	935	7,5	51,2	-	738	843	911	1 002	4,4	6	0,113	0,101
	842	1 013	9,5	47,8	-	750	841	973	1 110	11,1	8	0	0,111
750	830	934	6	35,7	-	773	856	908	977	2,7	5	0,131	0,101
	854	993	7,5	28,6	-	778	852	961	1 062	7,4	6	0	0,11
	884	1 077	9,5	33	-	790	883	1 025	1 180	9,3	8	0	0,094
800	888	990	6	45,7	-	823	917	967	1 037	2,9	5	0,126	0,106
	908	1 048	7,5	45,9	-	828	905	1 020	1 122	7,2	6	0	0,114
850	940	1 053	6	35,9	-	873	963	1 025	1 097	2,9	5	0,135	0,098
	964	1 113	7,5	24	-	878	963	1 077	1 192	7,7	6	0	0,097
900	1 005	1 173	7,5	24,8	-	928	1 003	1 126	1 252	9	6	0	0,1
950	1 075	1 241	7,5	37,8	-	978	1 073	1 204	1 332	8,7	6	0	0,107
1 000	1 130	1 295	7,5	44,9	-	1 028	1 128	1 260	1 392	8,5	6	0	0,11
	1 191	1 372	12	70,1	-	1 048	1 189	1 338	1 532	15	10	0	0,108
1 060	1 168	1 308	7,5	38,4	-	1 088	1 164	1 282	1 372	6	6	0	0,11
1 120	1 225	1 362	7,5	76,1	-	1 148	1 220	1 344	1 432	47,6	6	0	0,12
1 180	1 291	1 439	7,5	19,6	-	1 208	1 289	1 405	1 512	6,2	6	0	0,097
1 500	1 636	1 831	9,5	35	-	1 534	1 633	1 788	1 916	9,3	8	0	0,096
1 700	1 841	2 053	9,5	40,6	-	1 734	1 837	2 008	2 146	8,4	8	0	0,103

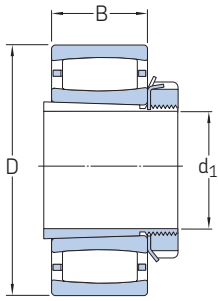
¹⁾ → Verification of axial displacement, page 850

²⁾ → Free space on both sides of the bearing, page 852, negative values used only for calculation

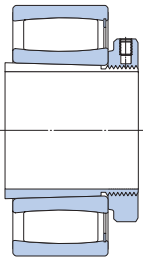


10.2 CARB toroidal roller bearings on an adapter sleeve

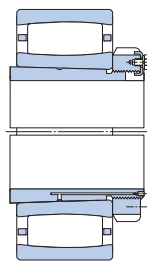
d_1 25 – 410 mm



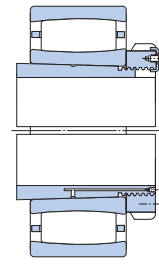
Bearing on an
H.. sleeve



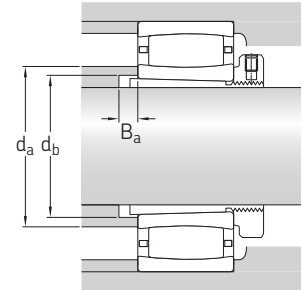
Bearing on an
H.. E sleeve



Bearing on an
OH.. H sleeve



Bearing on an
OH.. HE sleeve



Principal dimensions			Abutment and fillet dimensions			Mass Bearing + sleeve	Designations Bearing ¹⁾	Sleeve ²⁾
d_1	D	B	d_a max.	d_b min.	B_a min.			
mm	mm	mm	mm	mm	mm	kg	–	
25	62	20	37,4	33	5	0,37	C 2206 KTN9	H 306 E
30	72	23	44,8	39	5	0,59	C 2207 KTN9	H 307 E
35	80	23	52,4	44	5	0,69	C 2208 KTN9	H 308 E
40	85	23	55,6	50	7	0,76	▶ C 2209 KTN9	H 309 E
45	90	23	61,9	55	9	0,85	▶ C 2210 KTN9	H 310 E
50	100	25	65,8	60	10	1,1	▶ C 2211 KTN9	H 311 E
	100	25	80	60	10	1,15	C 2211 KV	H 311 E
55	110	28	77,1	65	9	1,45	▶ C 2212 KTN9	H 312 E
	110	28	91	65	9	1,5	C 2212 KV	H 312
60	120	31	79	70	8	1,8	▶ C 2213 KTN9	H 313 E
	120	31	97	70	8	1,9	C 2213 KV	H 313
	125	31	83,7	75	9	2,1	C 2214 KTN9	H 314 E
65	150	51	106	76	6	5,1	C 2314 K	H 2314
	130	31	98,3	80	12	2,3	▶ C 2215 K	H 315 E
70	130	31	107	80	12	2,4	C 2215 KV	H 315
	160	55	113	82	6	6,2	▶ C 2315 K	H 2315
	140	33	107	85	12	2,9	▶ C 2216 K	H 316 E
75	140	33	116	85	12	3	C 2216 KV	H 316
	170	58	119	88	6	7,4	▶ C 2316 K	H 2316
	150	36	114	91	12	3,7	▶ C 2217 K	H 317 E
80	180	60	126	94	7	8,5	▶ C 2317 K	H 2317
	160	40	124	96	10	4,5	▶ C 2218 K	H 318 E
85	190	64	138	100	7	10	C 2318 K	H 2318
	200	67	138	105	7	11,5	C 2319 K	H 2319
90	180	46	134	108	8	6,3	▶ C 2220 K	H 320 E
	215	73	150	110	7	14,5	▶ C 2320 K	H 2320
100	200	53	150	118	6	8,8	▶ C 2222 K	H 322 E
110	215	76	162	131	17	14	▶ C 3224 K	H 2324 L

SKF Explorer bearing

▶ Popular item

¹⁾ For additional bearing data → [product table, page 856](#)

²⁾ For additional adapter sleeve data → [product table, page 1072](#)

Principal dimensions			Abutment and fillet dimensions			Mass Bearing + sleeve	Designations Bearing ¹⁾	Sleeve ²⁾
d ₁	D	B	d _a max.	d _b min.	B _a min.			
mm			mm			kg	–	
115	230	64	171	138	8	14	C 2226 K C 2326 K/VE240	H 3126 L H 2326
	280	93	201	142	8	31,5		
125	250	68	191	149	8	17,5	▶ C 2228 K	H 3128 L
135	225	56	190	158	8	11,5	C 3030 KV C 3130 K C 2230 K	H 3030 H 3130 L H 3130 L
	250	80	196	160	8	20		
	270	73	202	160	15	23		
140	270	86	208	170	8	27	C 3132 K C 3232 K	H 3132 L H 2332 L
	290	104	218	174	18	36,5		
150	310	86	233	180	10	35	C 2234 K	H 3134 L
160	280	74	223	189	9	23	C 3036 K C 3136 K C 3236 K	H 3036 H 3136 L H 2336
	300	96	231	191	8	34		
	320	112	249	195	22	47		
170	290	75	238	199	10	24	C 3038 K C 3138 KV C 2238 K	H 3038 H 3138 H 3138
	320	104	267	202	9	45		
	340	92	254	202	21	43		
180	310	82	250	210	10	30	C 3040 K ▶ C 3140 K	H 3040 H 3140
	340	112	264	212	9	50,5		
200	340	90	274	231	10	37	▶ C 3044 K C 3144 K C 2244 K	OH 3044 H OH 3144 HTL OH 3144 H
	370	120	290	233	10	64		
	400	108	298	233	22	69		
220	360	92	293	251	11	42,5	C 3048 K C 3148 K	OH 3048 H OH 3148 HTL
	400	128	309	254	11	77		
240	400	104	326	272	11	59	C 3052 K ▶ C 3152 K	OH 3052 H OH 3152 HTL
	440	144	341	276	11	105		
260	420	106	352	292	12	65	C 3056 K C 3156 K	OH 3056 H OH 3156 HTL
	460	146	363	296	12	115		
280	460	118	376	313	12	91	C 3060 KM C 3160 K	OH 3060 H OH 3160 H
	500	160	392	318	12	150		
300	480	121	398	334	13	95	C 3064 KM C 3164 KM	OH 3064 H OH 3164 H
	540	176	411	338	13	190		
320	520	133	425	355	14	125	C 3068 KM C 3168 KM	OH 3068 H OH 3168 H
	580	190	446	360	14	235		
340	480	90	409	372	14	73	C 3972 KM C 3072 KM C 3172 KM	OH 3972 HE OH 3072 H OH 3172 H
	540	134	448	375	14	135		
	600	192	464	380	14	250		
360	560	135	462	396	15	145	C 3076 KM C 3176 KMB	OH 3076 H OH 3176 HE
	620	194	445	401	15	290		
380	540	106	461	413	15	105	C 3980 KM C 3080 KM C 3180 KM	OH 3980 HE OH 3080 H OH 3180 H
	600	148	486	417	15	175		
	650	200	525	421	15	345		
400	560	106	484	433	15	106	C 3984 KM C 3084 KM C 3184 KM	OH 3984 HE OH 3084 H OH 3184 H
	620	150	513	437	16	180		
	700	224	544	443	16	395		
410	650	157	489	458	17	250	C 3088 KMB C 3188 KMB	OH 3088 HE OH 3188 HE
	720	226	521	463	17	475		

SKF Explorer bearing

▶ Popular item

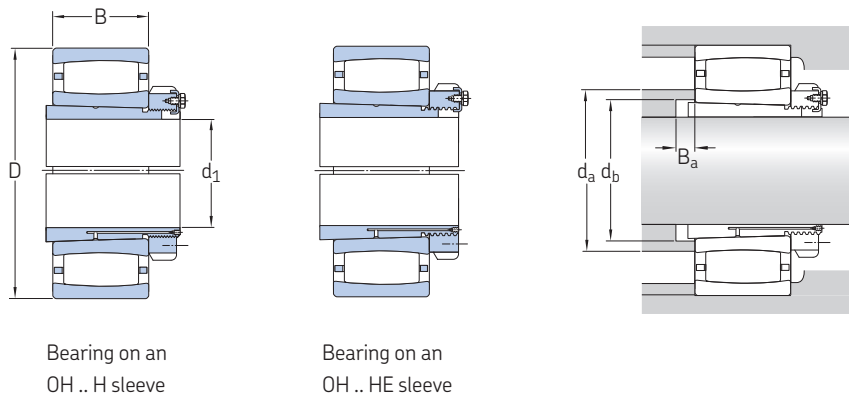
¹⁾ For additional bearing data → [product table, page 856](#)

²⁾ For additional adapter sleeve data → [product table, page 1072](#)



10.2 CARB toroidal roller bearings on an adapter sleeve

d_1 430 – 1 000 mm



Bearing on an
OH .. H sleeve

Bearing on an
OH .. HE sleeve

Principal dimensions			Abutment and fillet dimensions			Mass Bearing + sleeve	Designations Bearing ¹⁾	Sleeve ²⁾
d_1	D	B	d_a max.	d_b min.	B_a min.			
mm			mm			kg	–	
430	680	163	570	478	17	270	C 3092 KM	OH 3092 H
	760	240	603	484	17	540	C 3192 KM	OH 3192 H
450	700	165	586	499	18	275	C 3096 KM	OH 3096 H
	790	248	577	505	18	620	C 3196 KMB	OH 3196 HE
470	670	128	580	516	18	195	C 39/500 KM	OH 39/500 HE
	830	264	654	527	18	690	C 31/500 KM	OH 31/500 H
500	780	185	638	551	20	390	C 30/530 KM	OH 30/530 H
	870	272	685	558	20	770	C 31/530 KM	OH 31/530 H
530	750	140	648	577	20	260	C 39/560 KM	OH 39/560 HE
	820	195	696	582	20	440	C 30/560 KM	OH 30/560 H
	980	300	704	629	22	1 100	C 31/600 KMB	OH 31/600 HE
560	870	200	728	623	22	520	C 30/600 KM	OH 30/600 H
600	850	165	723	650	22	420	C 39/630 KM	OH 39/630 HE
	920	212	759	654	22	635	C 30/630 KM	OH 30/630 H
	1 030	315	740	663	22	1 280	C 31/630 KMB	OH 31/630 HE
630	980	230	820	696	22	750	C 30/670 KM	OH 30/670 H
	1 090	336	791	705	22	1 550	C 31/670 KMB	OH 31/670 HE
670	950	180	797	732	26	520	C 39/710 KM	OH 39/710 HE
	1 030	236	853	736	26	865	C 30/710 KM	OH 30/710 H
	1 150	345	841	745	26	1 800	C 31/710 KMB	OH 31/710 HE
710	1 000	185	856	772	26	590	C 39/750 KM	OH 39/750 HE
	1 090	250	852	778	26	1 000	C 30/750 KMB	OH 30/750 HE
	1 220	365	883	787	26	2 150	C 31/750 KMB	OH 31/750 HE
750	1 150	258	905	829	28	1 150	C 30/800 KMB	OH 30/800 HE
800	1 120	200	963	872	28	785	C 39/850 KM	OH 39/850 HE
	1 220	272	963	880	28	1 050	C 30/850 KMB	OH 30/850 HE
850	1 280	280	1 003	931	30	1 520	C 30/900 KMB	OH 30/900 HE
950	1 580	462	1 189	1 047	33	4 300	C 31/1000 KMB	OH 31/1000 HE
1 000	1 400	250	1 164	1 087	33	1 610	C 39/1060 KMB	OH 39/1060 HE

SKF Explorer bearing

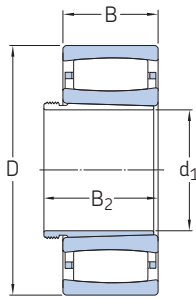
¹⁾ For additional bearing data → product table, page 856

²⁾ For additional adapter sleeve data → product table, page 1072

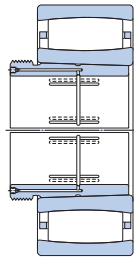


10.3 CARB toroidal roller bearings on a withdrawal sleeve

d_1 35 – 340 mm



Bearing on an
AH sleeve



Bearing on an
AOH sleeve

Principal dimensions				Mass Bearing + sleeve	Designations Bearing ¹⁾	Sleeve ²⁾
d_1	D	B	$B_2^{3)}$ ≈			
mm				kg	–	
35	80	23	32	0,59	C 2208 KTN9	AH 308
40	85	23	34	0,67	▶ C 2209 KTN9	AH 309
45	90	23	38	0,72	▶ C 2210 KTN9	AHX 310
50	100	25	40	0,95	▶ C 2211 KTN9 C 2211 KV	AHX 311
	100	25	40	0,97		AHX 311
55	110	28	43	1,3	▶ C 2212 KTN9 C 2212 KV	AHX 312
	110	28	43	1,35		AHX 312
60	120	31	45	1,6	▶ C 2213 KTN9 C 2213 KV	AH 313 G
	120	31	45	1,7		AH 313 G
65	125	31	47	1,7	C 2214 KTN9 C 2314 K	AH 314 G
	150	51	68	4,65		AHX 2314 G
70	130	31	49	1,9	▶ C 2215 K C 2215 KV ▶ C 2315 K	AH 315 G
	130	31	49	1,95		AH 315 G
	160	55	72	5,65		AHX 2315 G
75	140	33	52	2,35	▶ C 2216 K C 2216 KV ▶ C 2316 K	AH 316
	140	33	52	2,45		AH 316
	170	58	75	6,75		AHX 2316
80	150	36	56	3	▶ C 2217 K ▶ C 2317 K	AHX 317
	180	60	78	7,9		AHX 2317
85	160	40	57	3,75	▶ C 2218 K C 2318 K	AHX 318
	190	64	83	9		AHX 2318
90	200	67	89	11	C 2319 K	AHX 2319
95	180	46	63	5,3	▶ C 2220 K ▶ C 2320 K	AHX 320
	215	73	94	13,5		AHX 2320
105	200	53	72	7,65	▶ C 2222 K	AHX 3122
115	180	60	82	5,65	C 4024 K30V/VE240 C 4024 K30V ▶ C 3224 K	AH 24024
	180	60	82	6,2		AH 24024
	215	76	94	13		AHX 3224 G

SKF Explorer bearing

▶ Popular item

¹⁾ For additional bearing data → [product table, page 856](#)

²⁾ For additional withdrawal sleeve data → skf.com/go/17000-24-1

³⁾ Width before the sleeve is driven into the bearing bore

Principal dimensions				Mass Bearing + sleeve	Designations Bearing ¹⁾	Sleeve ²⁾
d ₁	D	B	B ₂ ³⁾ ≈			
mm				kg	–	
125	200	69	93	8,7	C 4026 K30	AH 24026
	200	69	93	8,9	C 4026 K30V	AH 24026
	230	64	82	12	▶ C 2226 K	AHX 3126
	280	93	119	29	C 2326 K/VE240	AHX 2326 G
135	210	69	93	9,5	C 4028 K30V	AH 24028
	250	68	88	15,5	▶ C 2228 K	AHX 3128
145	225	56	77	8,9	C 3030 KV	AHX 3030
	225	75	101	11,5	C 4030 K30V	AH 24030
	250	80	101	16,5	C 3130 K	AHX 3130 G
	270	73	101	19	C 2230 K	AHX 3130 G
150	240	80	106	14,5	C 4032 K30	AH 24032
	240	80	106	15	C 4032 K30V	AH 24032
	270	86	108	23	C 3132 K	AH 3132 G
	290	104	130	31	C 3232 K	AH 3232 G
160	260	90	117	20	C 4034 K30V	AH 24034
	310	86	109	31	C 2234 K	AH 3134 G
170	280	74	98	19	C 3036 K	AH 3036
	300	96	122	30	▶ C 3136 K	AH 3136 G
	320	112	146	41,5	C 3236 K	AH 3236 G
180	290	75	102	20,5	C 3038 K	AH 3038 G
	320	104	131	39	C 3138 KV	AH 3138 G
	340	92	117	38	C 2238 K	AH 2238 G
190	310	82	108	25,5	C 3040 K	AH 3040 G
	340	112	140	45,5	▶ C 3140 K	AH 3140
200	340	90	117	36	▶ C 3044 K	AOH 3044 G
	340	118	152	48	C 4044 K30V	AOH 24044
	370	120	151	60	▶ C 3144 K	AOH 3144
	400	108	136	65,5	C 2244 K	AOH 2244
220	360	92	123	39,5	C 3048 K	AOH 3048
	400	128	161	75	▶ C 3148 K	AOH 3148
240	400	104	135	55,5	C 3052 K	AOH 3052
	440	144	179	102	▶ C 3152 K	AOH 3152 G
260	420	106	139	61	C 3056 K	AOH 3056
	460	146	183	110	C 3156 K	AOH 3156 G
280	460	118	153	84	C 3060 KM	AOH 3060
	460	160	202	110	C 4060 K30M	AOH 24060 G
	500	160	200	140	C 3160 K	AOH 3160 G
300	480	121	157	93	C 3064 KM	AOH 3064 G
	540	176	217	185	C 3164 KM	AOH 3164 G
320	520	133	171	120	C 3068 KM	AOH 3068 G
	580	190	234	230	C 3168 KM	AOH 3168 G
340	540	134	176	125	C 3072 KM	AOH 3072 G
	600	192	238	245	C 3172 KM	AOH 3172 G

SKF Explorer bearing

▶ Popular item

¹⁾ For additional bearing data → [product table, page 856](#)

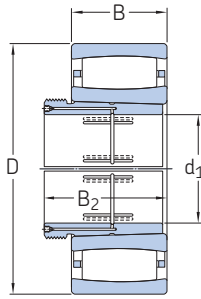
²⁾ For additional withdrawal sleeve data → [skf.com/go/17000-24-1](#)

³⁾ Width before the sleeve is driven into the bearing bore



10.3 CARB toroidal roller bearings on a withdrawal sleeve

d_1 360 – 950 mm



Principal dimensions				Mass Bearing + sleeve	Designations Bearing ¹⁾	Sleeve ²⁾
d_1	D	B	$B_2^{3)}$ ≈			
mm				kg	–	
360	560	135	180	130	C 3076 KM	AOH 3076 G
	620	194	242	260	C 3176 KMB	AOH 3176 G
380	600	148	193	165	C 3080 KM	AOH 3080 G
	650	200	250	310	C 3180 KM	AOH 3180 G
400	620	150	196	175	C 3084 KM	AOH 3084 G
	700	224	276	380	C 3184 KM	AOH 3184 G
420	650	157	205	215	C 3088 KMB	AOHX 3088 G
	720	226	281	405	C 3188 KMB	AOHX 3188 G
	720	280	332	510	C 4188 K30MB	AOH 24188
440	680	163	213	230	C 3092 KM	AOHX 3092 G
	760	240	296	480	C 3192 KM	AOHX 3192 G
	760	300	355	621	C 4192 K30MB	AOH 24192
460	700	165	217	245	C 3096 KM	AOHX 3096 G
	790	248	307	545	C 3196 KMB	AOHX 3196 G
480	830	264	325	615	C 31/500 KM	AOHX 31/500 G
500	780	185	242	355	C 30/530 KM	AOH 30/530
	870	272	337	720	C 31/530 KM	AOH 31/530
530	820	195	252	415	C 30/560 KM	AOHX 30/560
	920	355	417	989	C 41/560 K30MB	AOH 241/560 G
570	870	200	259	460	C 30/600 KM	AOHX 30/600
	980	300	369	990	C 31/600 KMB	AOHX 31/600
	980	375	439	1 270	C 41/600 K30MB	AOHX 241/600
600	920	212	272	555	C 30/630 KM	AOH 30/630
	1 030	315	389	1 180	C 31/630 KMB	AOH 31/630
630	980	230	294	705	C 30/670 KM	AOH 30/670
	1 090	336	409	1 410	C 31/670 KMB	AOHX 31/670
670	1 030	236	302	780	C 30/710 KM	AOHX 30/710
	1 030	315	386	1 010	C 40/710 K30M	AOH 240/710 G
	1 150	345	421	1 600	C 31/710 KMB	AOHX 31/710
710	1 090	250	316	920	C 30/750 KMB	AOH 30/750
	1 220	365	441	1 930	C 31/750 KMB	AOH 31/750

SKF Explorer bearing

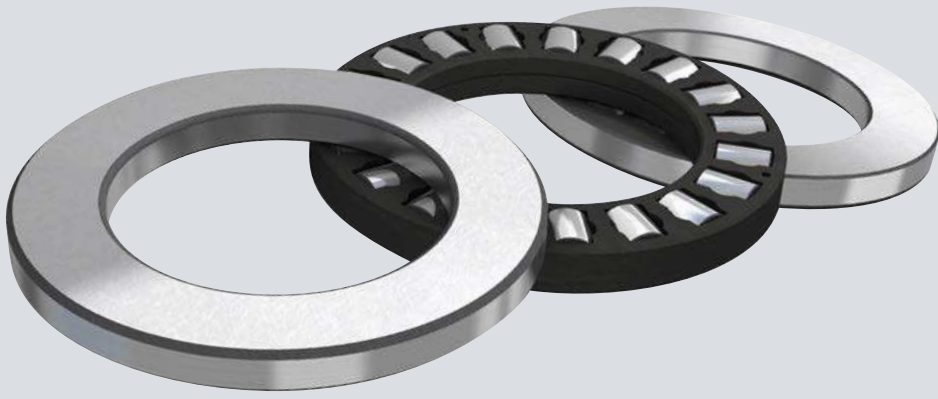
¹⁾ For additional bearing data → [product table, page 856](#)

²⁾ For additional withdrawal sleeve data → skf.com/go/17000-24-1

³⁾ Width before the sleeve is driven into the bearing bore

Principal dimensions				Mass Bearing + sleeve	Designations Bearing ¹⁾	Sleeve ²⁾
d ₁	D	B	B ₂ ³⁾ ≈			
mm				kg	–	
750	1 150	258	326	1 060	C 30/800 KMB	AOH 30/800
800	1 220	272	343	1 280	C 30/850 KMB	AOH 30/850
850	1 280	280	355	1 400	C 30/900 KMB	AOH 30/900
950	1 580	462	547	3 950	C 31/1000 KMB	AOH 31/1000


SKF Explorer bearing
¹⁾ For additional bearing data → [product table, page 856](#)
²⁾ For additional withdrawal sleeve data → [skf.com/go/17000-24-1](#)
³⁾ Width before the sleeve is driven into the bearing bore



Cylindrical roller thrust bearings



11 Cylindrical roller thrust bearings

Designs and variants	879
Single direction bearings	879
Double direction bearings.....	879
Cylindrical roller and cage thrust assemblies.....	880
Bearing washers.....	880
Cages.....	881
Bearing data	881
(Dimension standards, tolerances, permissible misalignment)	
Loads	884
(Minimum load, equivalent dynamic bearing load, equivalent static bearing load)	
Temperature limits	884
Permissible speed	884
Design considerations	885
Abutment dimensions	885
Raceways on shafts and in housings	885
Designation system	886
Product table	
11.1 Cylindrical roller thrust bearings	888

11 Cylindrical roller thrust bearings

More information

General bearing knowledge	17
Bearing selection process	59
Lubrication	109
Bearing interfaces	139
Sealing, mounting and dismounting	193

*SKF bearing maintenance
handbook* ISBN 978-91-978966-4-1

SKF cylindrical roller thrust bearings (fig. 1) are designed to accommodate heavy axial loads and impact loads. They must not be subjected to any radial load. The bearings are very stiff and require little axial space.

Bearing features

- **Separable design**
Shaft washer, housing washer, cylindrical roller and cage thrust assembly can be mounted separately.
- **Extended bearing service life**
To prevent stress peaks, the roller ends are relieved slightly to modify the line contact between the raceway and rollers.

Cylindrical roller thrust bearing

Fig. 1



Designs and variants

SKF supplies cylindrical roller thrust bearings in different series (fig. 2):

- 811 and 812 series bearings with one row of rollers
They are mainly used in applications where thrust ball bearings do not have sufficient load carrying capacity.
- 893 and 894 series bearings with two rows of rollers

Single direction bearings

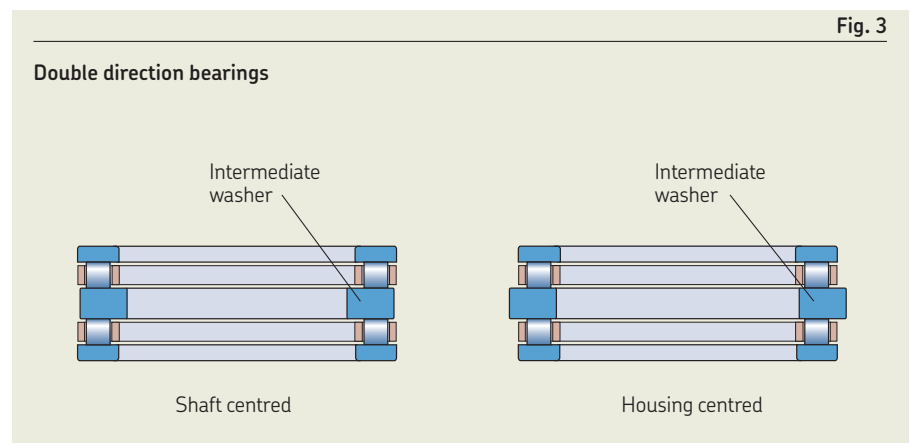
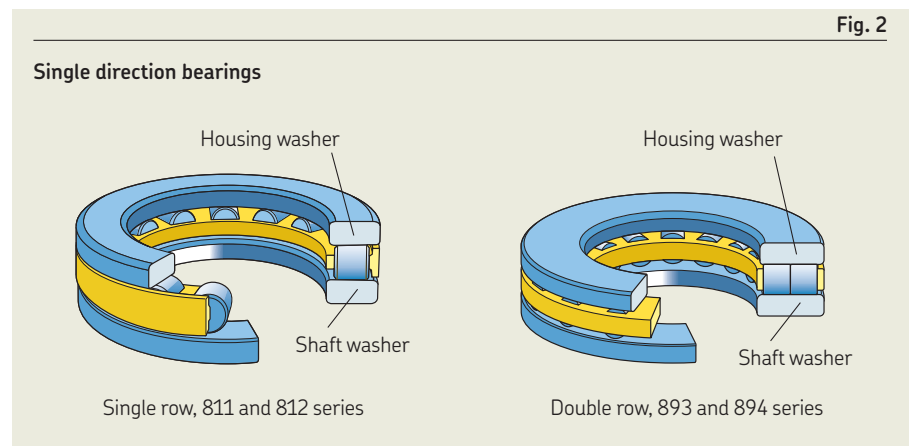
As standard, cylindrical roller thrust bearings are available as single direction bearings (fig. 2) and can accommodate axial loads in one direction only.

Double direction bearings

- can accommodate axial loads in both directions
- can be created by combining two cylindrical roller and cage thrust assemblies and two bearing washers with an intermediate washer
Depending on the design, an intermediate washer can be shaft or housing centred (fig. 3).

Intermediate washers must have the same surface finish and hardness as bearing washers. SKF does not supply intermediate washers, but provides material specifications and dimensional data on request.

For additional information, refer to *Design considerations*, page 885.



Cylindrical roller and cage thrust assemblies

- are identified by the prefix K (fig. 4)
- can accommodate axial loads in one direction only
- can be combined with washers in the WS, GS and LS series (*Bearing washers*)
- can be used without washers in applications where:
 - adjacent components can serve as raceways
 - bearing arrangements with a low axial section height are required

Bearing washers

SKF can also supply the components of cylindrical roller thrust bearings also separately. Additional to cylindrical roller and cage thrust assemblies the included bearing washers (fig. 5) are listed in the [product table, page 888](#).

Shaft washers

- are identified by the prefix WS
- are made of hardened carbon chromium bearing steel
- have a precision-ground raceway surface
- have a ground bore

Housing washers

- are identified by the prefix GS
- are made of hardened carbon chromium bearing steel
- have a precision-ground raceway surface
- have a ground outside surface

SKF recommends using both of these washers in high-speed applications where accurate centring of the bearing washers is required.

LS series universal washers

- can be used as both shaft or housing washers for bearings in the 811 series
- are used for applications where accurate centring of the bearing washers is not necessary
- are used where low speeds are involved

For additional information about LS series washers, refer to *Needle roller thrust bearings*, [page 895](#).

Fig. 4

Cylindrical roller and cage thrust assembly

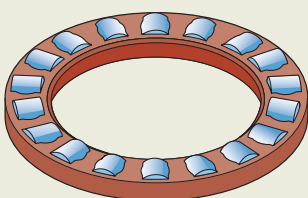
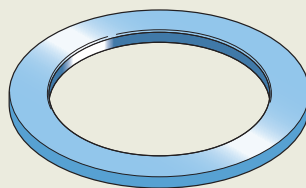
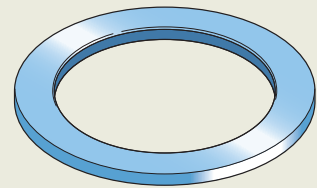


Fig. 5

Bearing washers



Shaft washer





Housing washer

Cages

SKF cylindrical roller thrust bearings are fitted with one of the cages shown in [table 1](#).

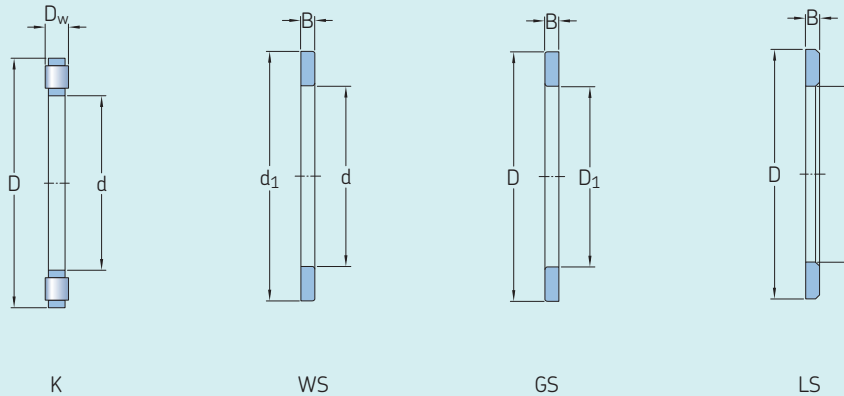
When used at high temperatures, some lubricants can have a detrimental effect on polyamide cages. For additional information about the suitability of cages, refer to *Cages*, [page 187](#).

Table 1		
Cages for cylindrical roller thrust bearings		
		
Materials	Glass fibre reinforced PA66	Machined brass
Suffix	TN	M

Bearing data

Dimension standards	Boundary dimensions: ISO 104
Tolerances	Normal Check availability of P5 tolerance class for larger bearings Values: ISO 199 (table 10, page 46)
For additional information → page 35	Except for components (table 2, page 882): <ul style="list-style-type: none"> • Values (table 3, page 883) • Variation of gauge lot diameter of the rollers: ISO 12297
Permissible misalignment	Cannot tolerate any misalignment.

Tolerances for cylindrical roller thrust bearing components



Bearing component	Tolerance, tolerance class ¹⁾ , standard	
Dimensions		
Cylindrical roller and cage thrust assemblies, K		
Bore diameter	d	E11
Outside diameter	D	a13
Roller diameter	D _w	ISO 12297
Shaft washers, WS		
Bore diameter	d	Normal, ISO 199
Outside diameter	d ₁	–
Thickness	B	h11
Axial run-out	s _i	Normal, ISO 199
Housing washers, GS		
Outside diameter	D	Normal, ISO 199
Bore diameter	D ₁	–
Thickness	B	h11
Axial run-out	s _e	Normal, ISO 199
Universal washers, LS		
Bore diameter	d	E12
Outside diameter	D	a12
Thickness	B	h11
Axial run-out	s _i	Normal, ISO 199

¹⁾ The envelope requirement (symbol E from ISO 14405-1) is not shown but applies to all tolerance classes.

Table 3

ISO tolerance classes

Nominal dimension > ≤		a12 [Ⓔ] Deviations		a13 [Ⓔ] Deviations		E11 [Ⓔ] Deviations		E12 [Ⓔ] Deviations		h11 [Ⓔ] Deviations	
		U	L	U	L	U	L	U	L	U	L
mm		µm		µm		µm		µm		µm	
-	3	-	-	-	-	-	-	-	-	0	-60
3	6	-	-	-	-	-	-	-	-	0	-75
6	10	-	-	-	-	-	-	-	-	0	-90
10	18	-	-	-	-	+142	+32	+212	+32	0	-110
18	30	-300	-510	-300	-630	+170	+40	+250	+40	0	-130
30	40	-310	-560	-310	-700	+210	+50	+300	+50	-	-
40	50	-320	-570	-320	-710	+210	+50	+300	+50	-	-
50	65	-340	-640	-340	-800	+250	+60	+360	+60	-	-
65	80	-360	-660	-360	-820	+250	+60	+360	+60	-	-
80	100	-380	-730	-380	-920	+292	+72	+422	+72	-	-
100	120	-410	-760	-410	-950	+292	+72	+422	+72	-	-
120	140	-460	-860	-460	-1 090	+335	+85	+485	+85	-	-
140	160	-520	-920	-520	-1 150	+335	+85	+485	+85	-	-
160	180	-580	-980	-580	-1 210	+335	+85	-	-	-	-
180	200	-660	-1 120	-660	-1 380	+390	+100	-	-	-	-
200	225	-	-	-740	-1 460	+390	+100	-	-	-	-
225	250	-	-	-820	-1 540	+390	+100	-	-	-	-
250	280	-	-	-920	-1 730	+430	+110	-	-	-	-
280	315	-	-	-1 050	-1 860	+430	+110	-	-	-	-
315	355	-	-	-1 200	-2 090	+485	+125	-	-	-	-
355	400	-	-	-1 350	-2 240	+485	+125	-	-	-	-
400	450	-	-	-1 500	-2 470	+535	+135	-	-	-	-
450	500	-	-	-1 650	-2 620	+535	+135	-	-	-	-
500	630	-	-	-1 900	-3 000	+585	+145	-	-	-	-
630	800	-	-	-2 100	-3 350	-	-	-	-	-	-

Loads

<p>Minimum load</p> <p>For additional information → page 106</p>	$F_{am} = 0,0005 C_0 + A \left(\frac{n}{1\ 000} \right)^2$	<p>Symbols</p> <p>A minimum load factor (page 888) C₀ basic static load rating [kN] (page 888) F_a axial load [kN] F_{am} minimum axial load [kN] n rotational speed [r/min]</p>
<p>Equivalent dynamic bearing load</p> <p>For additional information → page 91</p>	$P = F_a$	<p>P equivalent dynamic bearing load [kN] P₀ equivalent static bearing load [kN]</p>
<p>Equivalent static bearing load</p> <p>For additional information → page 105</p>	$P_0 = F_a$	

Temperature limits

The permissible operating temperature for cylindrical roller thrust bearings can be limited by:

- the dimensional stability of the bearing washers and rollers
- the cage
- the lubricant

Where temperatures outside the permissible range are expected, contact SKF.

Bearing washers and rollers

The bearings are heat stabilized up to at least 120 °C (250 °F).

Cages

Brass cages can be used at the same operating temperatures as the bearing washers and rollers. For temperature limits of polymer cages, refer to *Polymer cages*, [page 188](#).

Lubricants

For temperature limits of SKF greases, refer to *Selecting a suitable SKF grease*, [page 116](#).
 When using lubricants not supplied by SKF, temperature limits should be evaluated according to the SKF traffic light concept, [page 117](#).

Permissible speed

The speed ratings in the [product table](#), [page 888](#) indicate:

- the **reference speed**, which enables a quick assessment of the speed capabilities from a thermal frame of reference
- the **limiting speed**, which is a mechanical limit that should not be exceeded unless the bearing design and the application are adapted for higher speeds

For additional information, refer to *Operating temperature and speed*, [page 130](#).

Design considerations

Abutment dimensions

Abutment dimensions should fulfill the following:

- Support surfaces in housings and on shafts should be at right angles to the shaft axis and provide uninterrupted support over the entire washer face.
- The abutment diameter on the shaft should be $\geq d_{a\min}$ and in the housing $\leq D_{a\max}$ (fig. 6). Values for $d_{a\min}$ and $D_{a\max}$ are listed in the [product table, page 888](#)
- Shafts and housings should be manufactured to suitable tolerance classes ([table 4](#)) to provide satisfactory radial guidance for the individual thrust bearing components.
 - Housing centred washers require a radial gap between the shaft and washer bore.
 - Shaft centred washers require a radial gap between the washer and the housing bore.

Cylindrical roller and cage thrust assemblies are generally centred radially by the shaft to reduce the circumferential speed at which the cage slides against the guiding surface. This is particularly important for higher-speed applications. The guiding surface should be ground.

Raceways on shafts and in housings

- should have the same hardness, surface finish and axial run-out as a bearing washer, if the load carrying capacity of a cylindrical roller and cage thrust assembly is to be fully exploited
- should be designed using the dimensions E_a and E_b ([product table, page 888](#)), which take radial displacement of the roller set into consideration

For additional information, refer to *Raceways on shafts and in housings*, [page 179](#).

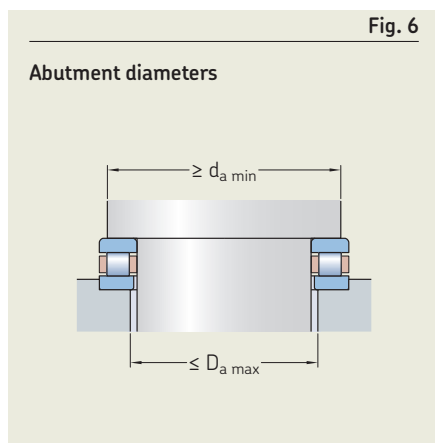


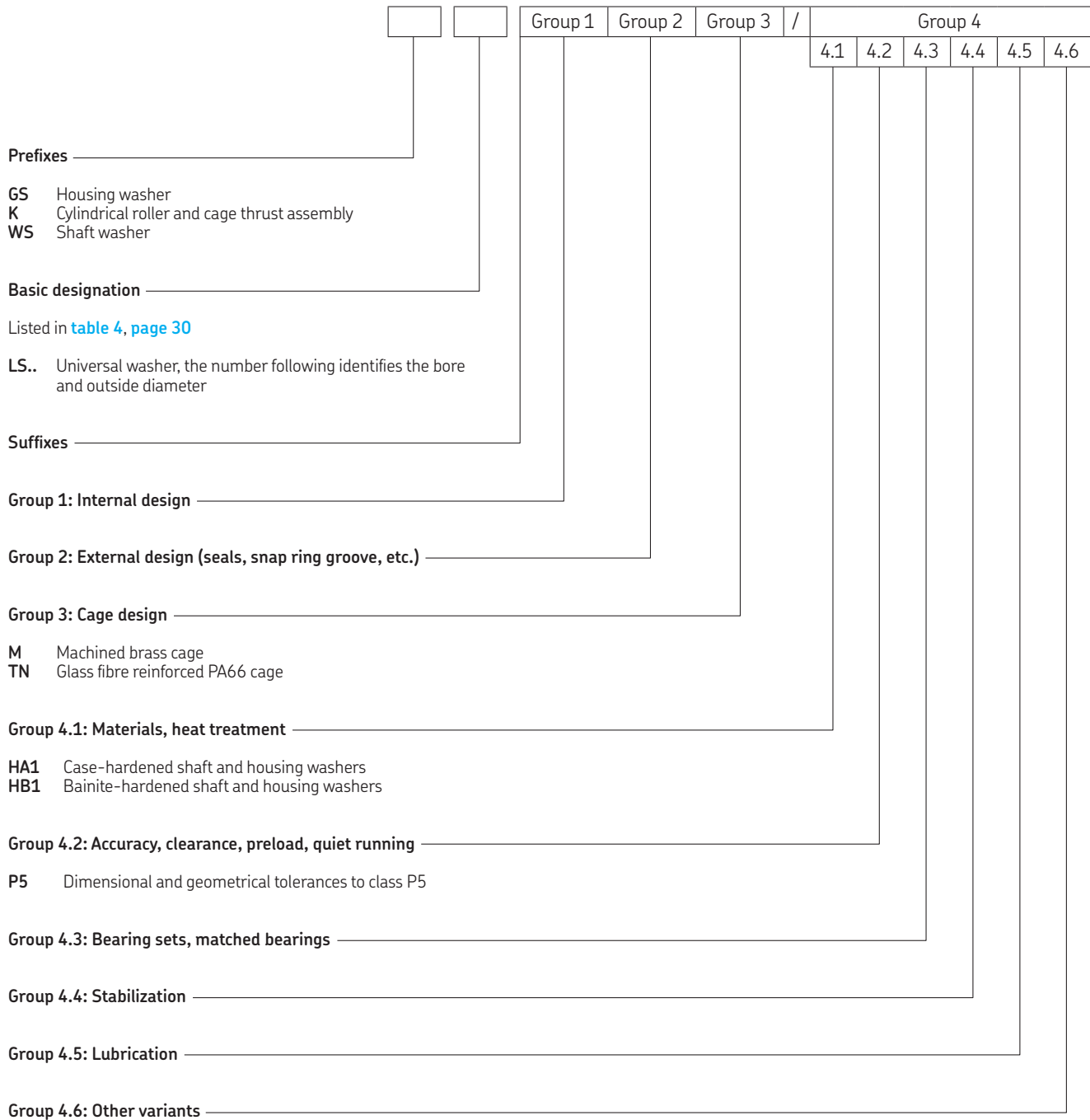
Table 4

Shaft and housing tolerance classes

Bearing component	Prefix	Tolerance class ¹⁾	
		Shaft centred	Housing centred
Cylindrical roller and cage thrust assemblies	K	h8	–
Shaft washers	WS	h8	–
Housing washers	GS	–	H9

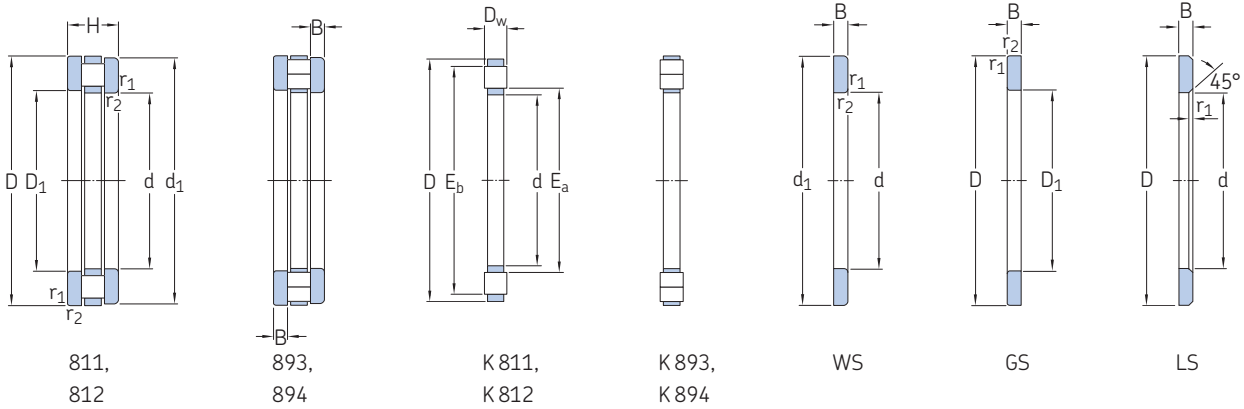
¹⁾ The envelope requirement (symbol E from ISO 14405-1) is not shown but applies to all tolerance classes.

Designation system



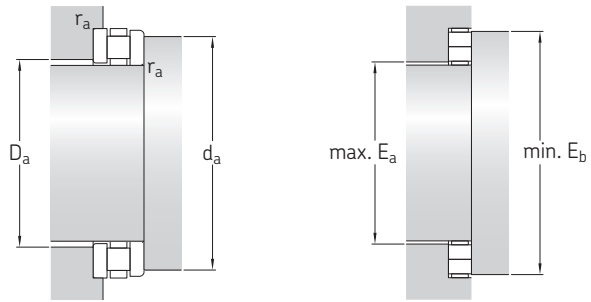
11.1 Cylindrical roller thrust bearings

d 15 – 75 mm



Principal dimensions					Basic load ratings		Fatigue load limit	Minimum load factor	Speed ratings		Mass	Designation
d	D	H	E _a	E _b	dynamic	static			Reference speed	Limiting speed		
mm					C	C ₀	P _u	A	r/min		kg	–
15	28	9	16	27	11,2	27	2,45	0,000 058	4 300	8 500	0,024	► 81102 TN
17	30	9	18	29	12,2	31,5	2,85	0,000 079	4 300	8 500	0,027	► 81103 TN
20	35	10	21	34	18,6	48	4,65	0,00018	3 800	7 500	0,037	► 81104 TN
25	42	11	26	41	25	69,5	6,8	0,00039	3 200	6 300	0,053	► 81105 TN
30	47	11	31	46	27	78	7,65	0,00049	3 000	6 000	0,057	► 81106 TN
	52	16	31	50	50	134	13,4	0,0014	2 400	4 800	0,12	► 81206 TN
35	52	12	36	51	29	93	9,15	0,00069	2 800	5 600	0,073	► 81107 TN
	62	18	39	58	62	190	19,3	0,0029	2 000	4 000	0,21	► 81207 TN
40	60	13	42	58	43	137	13,7	0,0015	2 400	5 000	0,11	► 81108 TN
	68	19	43	66	83	255	26,5	0,0052	1 900	3 800	0,25	► 81208 TN
	78	22	44	77	95	365	36,5	0,011	2 000	4 000	0,48	89308 TN
45	65	14	47	63	45	153	15,3	0,0019	2 200	4 500	0,13	► 81109 TN
	73	20	48	70	83	255	26,5	0,0052	1 800	3 600	0,29	► 81209 TN
50	70	14	52	68	47,5	166	16,6	0,0022	2 200	4 300	0,14	► 81110 TN
	78	22	53	75	91,5	300	31	0,0072	1 700	3 400	0,36	► 81210 TN
55	78	16	57	77	69,5	285	29	0,0065	1 900	3 800	0,23	► 81111 TN
	90	25	59	85	122	390	40	0,012	1 400	2 800	0,57	► 81211 TN
60	85	17	62	82	80	300	30,5	0,0072	1 800	3 600	0,27	► 81112 TN
	95	26	64	91	137	465	47,5	0,017	1 400	2 800	0,65	► 81212 TN
	110	30	66	108	153	640	65,5	0,033	1 400	2 800	1,25	89312 TN
65	90	18	67	87	83	320	32,5	0,0082	1 700	3 400	0,31	► 81113 TN
	100	27	69	96	140	490	50	0,019	1 300	2 600	0,72	► 81213 TN
	115	30	71	113	153	640	65,5	0,033	1 400	2 800	1,35	89313 TN
70	95	18	72	92	86,5	345	34,5	0,0095	1 700	3 400	0,33	► 81114 TN
	105	27	74	102	146	530	55	0,022	1 300	2 600	0,77	► 81214 TN
	125	34	76	123	186	800	81,5	0,05	1 300	2 600	1,8	89314 TN
75	100	19	78	97	83	335	34	0,009	1 600	3 200	0,39	► 81115 TN
	110	27	79	106	137	490	50	0,019	1 200	2 400	0,8	► 81215 TN

► Popular item

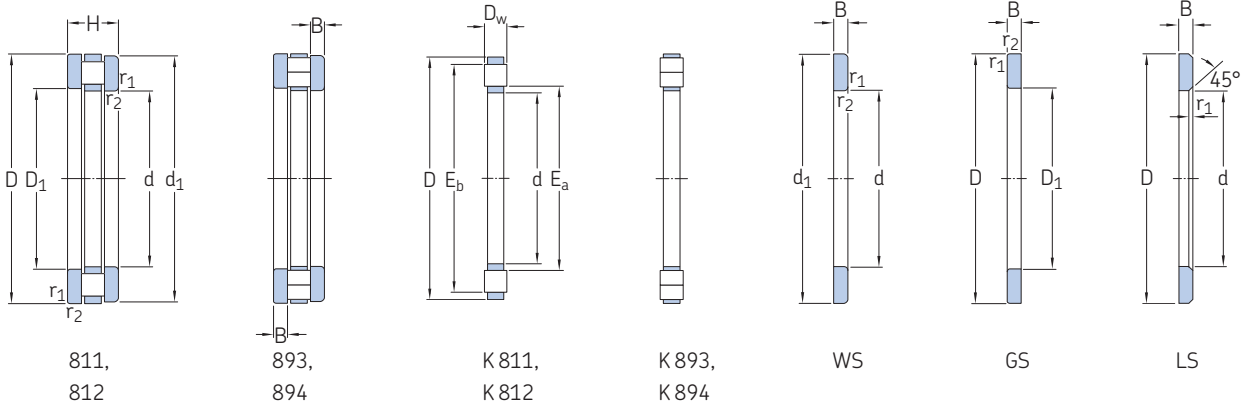


Dimensions						Abutment and fillet dimensions			Designation of components			
d	d ₁ ≈	D ₁ ≈	B	D _w	r _{1,2} min.	d _a min.	D _a max.	r _a max.	Cylindrical roller and cage thrust assembly	Shaft washer	Housing washer	Universal washer
mm						mm			–			
15	28	16	2,75	3,5	0,3	27	16	0,3	K 81102 TN	WS 81102	GS 81102	LS 1528
17	30	18	2,75	3,5	0,3	29	18	0,3	K 81103 TN	WS 81103	GS 81103	LS 1730
20	35	21	2,75	4,5	0,3	34	21	0,3	K 81104 TN	WS 81104	GS 81104	LS 2035
25	42	26	3	5	0,6	41	26	0,6	K 81105 TN	WS 81105	GS 81105	LS 2542
30	47	32	3	5	0,6	46	31	0,6	K 81106 TN	WS 81106	GS 81106	LS 3047
	52	32	4,25	7,5	0,6	50	31	0,6	K 81206 TN	WS 81206	GS 81206	–
35	52	37	3,5	5	0,6	51	36	0,6	K 81107 TN	WS 81107	GS 81107	LS 3552
	62	37	5,25	7,5	1	58	39	1	K 81207 TN	WS 81207	GS 81207	–
40	60	42	3,5	6	0,6	58	42	0,6	K 81108 TN	WS 81108	GS 81108	LS 4060
	68	42	5	9	1	66	43	1	K 81208 TN	WS 81208	GS 81208	–
	78	42	7,5	7	1	77	44	1	K 89308 TN	WS 89308	GS 89308	–
45	65	47	4	6	0,6	63	47	0,6	K 81109 TN	WS 81109	GS 81109	LS 4565
	73	47	5,5	9	1	70	48	1	K 81209 TN	WS 81209	GS 81209	–
50	70	52	4	6	0,6	68	52	0,6	K 81110 TN	WS 81110	GS 81110	LS 5070
	78	52	6,5	9	1	75	53	1	K 81210 TN	WS 81210	GS 81210	–
55	78	57	5	6	0,6	77	56	0,6	K 81111 TN	WS 81111	GS 81111	LS 5578
	90	57	7	11	1	85	59	1	K 81211 TN	WS 81211	GS 81211	–
60	85	62	4,75	7,5	1	82	62	1	K 81112 TN	WS 81112	GS 81112	LS 6085
	95	62	7,5	11	1	91	64	1	K 81212 TN	WS 81212	GS 81212	–
	110	62	10,5	9	1,1	108	67	1,1	K 89312 TN	WS 89312	GS 89312	–
65	90	67	5,25	7,5	1	87	67	1	K 81113 TN	WS 81113	GS 81113	LS 6590
	100	67	8	11	1	96	69	1	K 81213 TN	WS 81213	GS 81213	–
	115	67	10,5	9	1,1	113	72	1,1	K 89313 TN	WS 89313	GS 89313	–
70	95	72	5,25	7,5	1	92	72	1	K 81114 TN	WS 81114	GS 81114	LS 7095
	105	72	8	11	1	102	74	1	K 81214 TN	WS 81214	GS 81214	–
	125	72	12	10	1,1	123	78	1,1	K 89314 TN	WS 89314	GS 89314	–
75	100	77	5,75	7,5	1	97	78	1	K 81115 TN	WS 81115	GS 81115	LS 75100
	110	77	8	11	1	106	79	1	K 81215 TN	WS 81215	GS 81215	–



11.1 Cylindrical roller thrust bearings

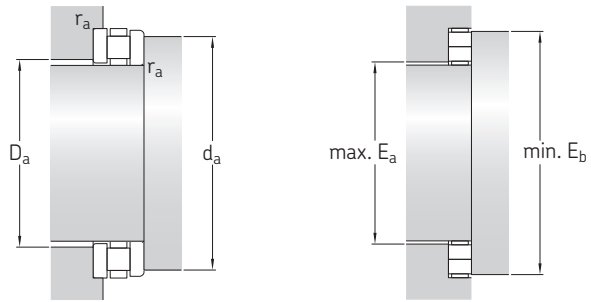
d 80 – 180 mm



Principal dimensions					Basic load ratings		Fatigue load limit	Minimum load factor	Speed ratings		Mass	Designation
d	D	H	E _a	E _b	dynamic	static			Reference speed	Limiting speed		
mm					kN		kN	-	r/min		kg	-
80	105	19	83	102	81,5	335	34	0,009	1 500	3 000	0,4	▶ 81116 TN
	115	28	84	112	160	610	63	0,03	1 200	2 400	0,9	▶ 81216 TN
	140	36	86	137	240	1 060	108	0,09	1 200	2 400	2,35	89316 TN
	170	54	88	165	440	1 730	173	0,24	900	1 800	7,05	89416 M
85	110	19	87	108	88	365	37,5	0,011	1 500	3 000	0,42	▶ 81117 TN
	125	31	90	119	170	640	67	0,033	1 100	2 200	1,2	▶ 81217 TN
90	120	22	93	117	110	450	45,5	0,016	1 300	2 600	0,62	▶ 81118 TN
	135	35	95	129	232	865	90	0,06	1 000	2 000	1,75	▶ 81218 TN
100	135	25	104	131	156	630	62	0,032	1 200	2 400	0,95	▶ 81120 TN
	150	38	107	142	270	1 060	104	0,09	900	1 800	2,2	▶ 81220 TN
	170	42	109	166	300	1 370	132	0,15	950	1 900	4,55	89320 M
110	145	25	114	141	163	680	65,5	0,037	1 100	2 200	1,05	81122 TN
	160	38	117	152	260	1 000	98	0,08	850	1 700	2,3	▶ 81222 TN
	190	48	120	185	400	1 830	173	0,27	850	1 700	6,7	89322 M
120	155	25	124	151	170	735	68	0,043	1 100	2 200	1,1	▶ 81124 TN
	170	39	127	162	255	1 000	96,5	0,08	800	1 600	2,55	▶ 81224 TN
	210	54	132	205	510	2 360	216	0,45	750	1 500	9,45	89324 M
130	170	30	135	165	200	880	81,5	0,062	950	1 900	1,65	81126 TN
	190	45	137	181	380	1 460	137	0,17	700	1 400	4	▶ 81226 TN
140	180	31	145	175	208	930	85	0,069	900	1 800	1,9	▶ 81128 TN
	200	46	150	191	360	1 400	129	0,16	700	1 400	5,05	81228 M
150	190	31	155	185	212	1 000	88	0,08	850	1 700	2,2	▶ 81130 TN
	215	50	162	210	465	1 900	170	0,29	630	1 300	7,2	▶ 81230 M
160	200	31	165	195	216	1 020	90	0,083	850	1 700	2,1	▶ 81132 TN
	225	51	171	219	480	2 000	176	0,32	600	1 200	7,6	▶ 81232 M
	320	95	179	313	1 430	6 400	540	3,3	480	950	42	89432 M
170	215	34	176	209	285	1 340	118	0,14	800	1 600	2,4	▶ 81134 TN
	240	55	184	233	540	2 280	200	0,42	560	1 100	9,3	▶ 81234 M
	340	103	191	333	1 600	7 200	600	4,15	430	850	52	89434 M
180	225	34	185	219	270	1 270	110	0,13	750	1 500	3,7	▶ 81136 M
	250	56	194	243	550	2 400	204	0,46	560	1 100	9,95	81236 M
	360	109	200	351	1 760	8 000	655	5,1	400	800	60	89436 M

▶ Popular item



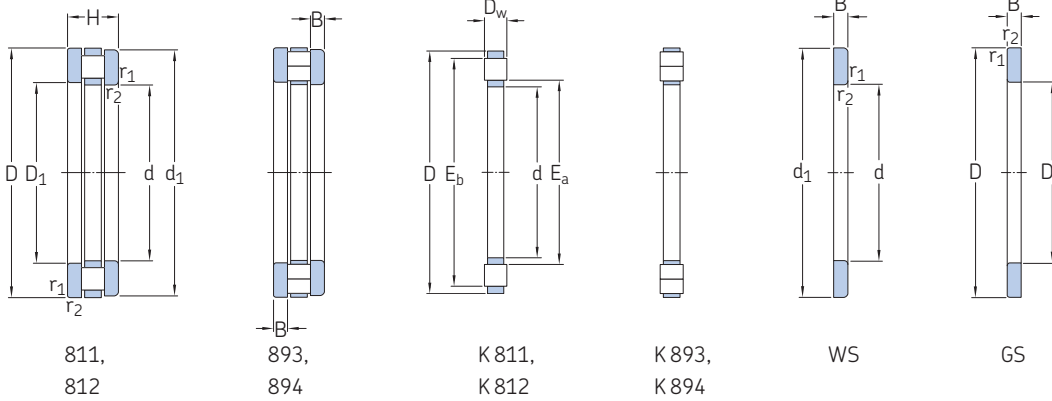


Dimensions					Abutment and fillet dimensions			Designation of components				
d	d ₁ ≈	D ₁ ≈	B	D _w	r _{1,2} min.	d _a min.	D _a max.	r _a max.	Cylindrical roller and cage thrust assembly	Shaft washer	Housing washer	Universal washer
mm						mm			–			
80	105	82	5,75	7,5	1	102	83	1	K 81116 TN	WS 81116	GS 81116	LS 80105
	115	82	8,5	11	1	112	84	1	K 81216 TN	WS 81216	GS 81216	–
	140	82	12,5	11	1,5	137	88	1,5	K 89316 TN	WS 89316	GS 89316	–
	170	83	18	18	2,1	166	89	2,1	K 89416 M	WS 89416	GS 89416	–
85	110	87	5,75	7,5	1	108	87	1	K 81117 TN	WS 81117	GS 81117	LS 85110
	125	88	9,5	12	1	119	90	1	K 81217 TN	WS 81217	GS 81217	–
90	120	92	6,5	9	1	117	93	1	K 81118 TN	WS 81118	GS 81118	LS 90120
	135	93	10,5	14	1,1	129	95	1,1	K 81218 TN	WS 81218	GS 81218	–
100	135	102	7	11	1	131	104	1	K 81120 TN	WS 81120	GS 81120	LS 100135
	150	103	11,5	15	1,1	142	107	1,1	K 81220 TN	WS 81220	GS 81220	–
	170	103	14,5	13	1,5	167	109	1,5	K 89320 M	WS 89320	GS 89320	–
110	145	112	7	11	1	141	114	1	K 81122 TN	WS 81122	GS 81122	LS 110145
	160	113	11,5	15	1,1	152	117	1,1	K 81222 TN	WS 81222	GS 81222	–
	190	113	16,5	15	2	186	120	2	K 89322 M	WS 89322	GS 89322	–
120	155	122	7	11	1	151	124	1	K 81124 TN	WS 81124	GS 81124	LS 120155
	170	123	12	15	1,1	162	127	1,1	K 81224 TN	WS 81224	GS 81224	–
	210	123	18,5	17	2,1	206	130	2,1	K 89324 M	WS 89324	GS 89324	–
130	170	132	9	12	1	165	135	1	K 81126 TN	WS 81126	GS 81126	LS 130170
	187	133	13	19	1,5	181	137	1,5	K 81226 TN	WS 81226	GS 81226	–
140	178	142	9,5	12	1	175	145	1	K 81128 TN	WS 81128	GS 81128	LS 140180
	197	143	13,5	19	1,5	191	147	1,5	K 81228 M	WS 81228	GS 81228	–
150	188	152	9,5	12	1	185	155	1	K 81130 TN	WS 81130	GS 81130	LS 150190
	212	153	14,5	21	1,5	211	158	1,5	K 81230 M	WS 81230	GS 81230	–
160	198	162	9,5	12	1	195	165	1	K 81132 TN	WS 81132	GS 81132	LS 160200
	222	163	15	21	1,5	220	168	1,5	K 81232 M	WS 81232	GS 81232	–
	320	164	31,5	32	5	315	179	5	K 89432 M	WS 89432	GS 89432	–
170	213	172	10	14	1,1	209	176	1,1	K 81134 TN	WS 81134	GS 81134	–
	237	173	16,5	22	1,5	235	180	1,5	K 81234 M	WS 81234	GS 81234	–
	340	174	34,5	34	5	335	191	5	K 89434 M	WS 89434	GS 89434	–
180	222	183	10	14	1,1	219	185	1,1	K 81136 M	WS 81136	GS 81136	–
	247	183	17	22	1,5	245	190	1,5	K 81236 M	WS 81236	GS 81236	–
	360	184	36,5	36	5	353	203	5	K 89436 M	WS 89436	GS 89436	–



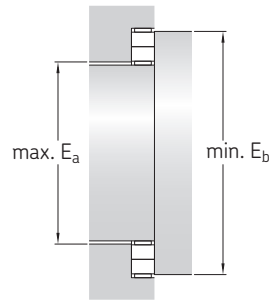
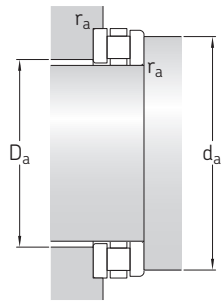
11.1 Cylindrical roller thrust bearings

d 190 – 320 mm



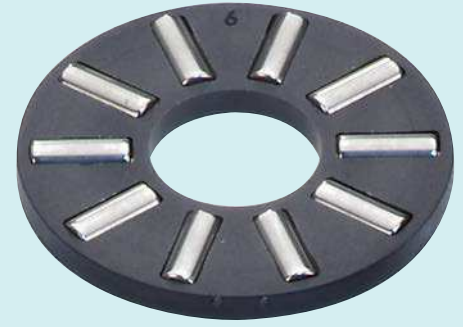
Principal dimensions			Basic load ratings		Fatigue load limit	Minimum load factor	Speed ratings		Mass	Designation		
d	D	H	dynamic	static			Reference speed	Limiting speed				
mm			C	C ₀	P _u	A			kg	–		
190	240	37	197	233	310	1 460	125	0,17	700	1 400	4,75	▶ 81138 M 81238 M 89438 M
	270	62	205	263	695	2 900	250	0,67	500	1 000	12	
	380	115	212	371	1 960	9 000	720	6,5	380	750	65,5	
200	250	37	206	243	310	1 500	125	0,18	700	1 400	4,95	▶ 81140 M 81240 M 89440 M
	280	62	215	273	720	3 100	255	0,77	500	1 000	13,5	
	400	122	224	391	2 160	10 000	800	8	360	700	75	
220	270	37	226	263	335	1 700	137	0,23	670	1 300	5,2	▶ 81144 M 81244 M 89444 M
	300	63	236	294	750	3 350	275	0,9	480	950	15	
	420	122	244	411	2 320	11 200	880	10	340	700	84,5	
240	300	45	248	296	475	2 450	196	0,48	560	1 100	8,45	▶ 81148 M 81248 M
	340	78	263	333	1 100	4 900	390	1,92	400	800	22	
260	320	45	268	316	490	2 600	200	0,54	530	1 100	9,1	▶ 81152 M 81252 M
	360	79	281	351	1 140	5 300	415	2,25	380	750	27	
280	350	53	288	346	680	3 550	275	1	480	950	12,5	81156 M
300	380	62	315	373	850	4 400	335	1,55	430	850	19,5	81160 M 81260 M
	420	95	329	412	1 530	7 200	540	4,1	320	630	43	
320	400	63	334	394	880	4 650	345	1,73	400	800	20,5	81164 M

▶ Popular item



Dimensions					Abutment and fillet dimensions			Designation of components				
d	d ₁ ≈	D ₁ ≈	B	D _w	r _{1,2} min.	d _a min.	D _a max.	r _a max.	Cylindrical roller and cage thrust assembly	Shaft washer	Housing washer	Universal washer
mm						mm			–			
190	237	193	11	15	1,1	233	197	1,1	K 81138 M	WS 81138	GS 81138	–
	267	194	18	26	2	265	200	2	K 81238 M	WS 81238	GS 81238	–
	380	195	38,5	38	5	373	214	5	K 89438 M	WS 89438	GS 89438	–
200	247	203	11	15	1,1	243	206	1,1	K 81140 M	WS 81140	GS 81140	–
	277	204	18	26	2	275	210	2	K 81240 M	WS 81240	GS 81240	–
	400	205	41	40	5	393	226	5	K 89440 M	WS 89440	GS 89440	–
220	267	223	11	15	1,1	263	226	1,1	K 81144 M	WS 81144	GS 81144	–
	297	224	18,5	26	2	296	230	2	K 81244 M	WS 81244	GS 81244	–
	420	225	41	40	6	413	246	6	K 89444 M	WS 89444	GS 89444	–
240	297	243	13,5	18	1,5	296	248	1,5	K 81148 M	WS 81148	GS 81148	–
	335	244	23	32	2,1	335	261	2,1	K 81248 M	WS 81248	GS 81248	–
260	317	263	13,5	18	1,5	316	268	1,5	K 81152 M	WS 81152	GS 81152	–
	355	264	23,5	32	2,1	353	280	2,1	K 81252 M	WS 81252	GS 81252	–
280	347	283	15,5	22	1,5	346	288	1,5	K 81156 M	WS 81156	GS 81156	–
300	376	304	18,5	25	2	373	315	2	K 81160 M	WS 81160	GS 81160	–
	415	304	28,5	38	3	413	328	3	K 81260 M	WS 81260	GS 81260	–
320	396	324	19	25	2	394	334	2	K 81164 M	WS 81164	GS 81164	–





12

Needle roller
thrust bearings



12 Needle roller thrust bearings

Designs and variants	896
Needle roller and cage thrust assemblies	897
Double direction bearings.	897
Needle roller thrust bearings with a centring flange	897
Combined needle roller bearing arrangements	897
Bearing washers.	898
Cages	898
Bearing data	899
(Dimension standards, tolerances, permissible misalignment)	
Loads	902
(Minimum load, equivalent dynamic bearing load, equivalent static bearing load)	
Temperature limits	902
Permissible speed	902
Design considerations	903
Abutment dimensions	903
Raceways on shafts and in housings	903
Designation system	904
Product tables	
12.1 Needle roller and cage thrust assemblies	906
12.2 Needle roller thrust bearings with a centring flange	910



12 Needle roller thrust bearings

More information

General bearing knowledge	17
Bearing selection process	59
Lubrication	109
Bearing interfaces	139
Sealing, mounting and dismounting	193

SKF bearing maintenance
handbook ISBN 978-91-978966-4-1

SKF needle roller thrust bearings are fitted with a form-stable cage to reliably retain and guide a large number of needle rollers. Needle roller thrust bearings provide a high degree of stiffness within a minimum axial space. In applications where the faces of adjacent machine components can serve as raceways, needle roller thrust bearings take up no more space than a conventional thrust washer.

Bearing features

- **Accommodate heavy axial loads and peak loads**
The very small diameter deviation of the rollers within one assembly enables these bearings to accommodate heavy axial loads and peak loads.
- **Extended bearing service life**
To prevent stress peaks, the roller ends are relieved slightly to modify the line contact between the raceway and rollers.

Designs and variants

SKF supplies needle roller thrust bearings in two designs:

- needle roller and cage thrust assemblies, AXK series ([fig. 1](#))
- needle roller thrust bearings with a centring flange, AXW series ([fig. 2](#))

In applications where adjacent components cannot serve as raceways, the assemblies can be combined with bearing washers in different series (*Bearing washers*, [page 898](#)).

Fig. 1

AXK needle roller and cage thrust assembly

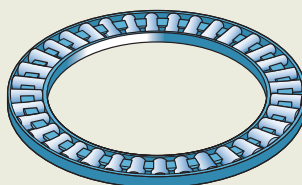
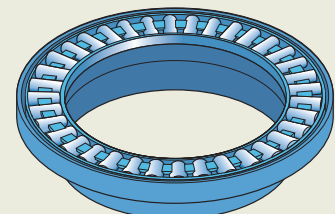


Fig. 2

AXW needle roller thrust bearing with a centring flange



Needle roller and cage thrust assemblies

AXK series needle roller and cage thrust assemblies (fig. 1):

- are available for $4 \leq d \leq 160$ mm
- can accommodate axial loads in one direction only
- can be combined with washers in the LS, AS, GS 811 or WS 811 series (*Bearing washers*, page 898) in applications where adjacent components cannot serve as raceways

Double direction bearings

Double direction bearings:

- can accommodate axial loads in both directions
- can be created by combining two needle roller and cage thrust assemblies and two bearing washers with an intermediate washer
Depending on the design, an intermediate washer can be shaft or housing centred (fig. 3 and fig. 4).

Intermediate washers must have the same hardness and surface finish as bearing washers. SKF does not supply intermediate washers, but provides material specifications and dimensional data on request.

For additional information, refer to *Design considerations*, page 903.

Needle roller thrust bearings with a centring flange

AXW series needle roller thrust bearings with a centring flange (fig. 2 and fig. 5):

- are available for $10 \leq d \leq 50$ mm
- accommodate axial loads in one direction only
- consist of a needle roller and cage thrust assembly and a thrust washer with a centring flange

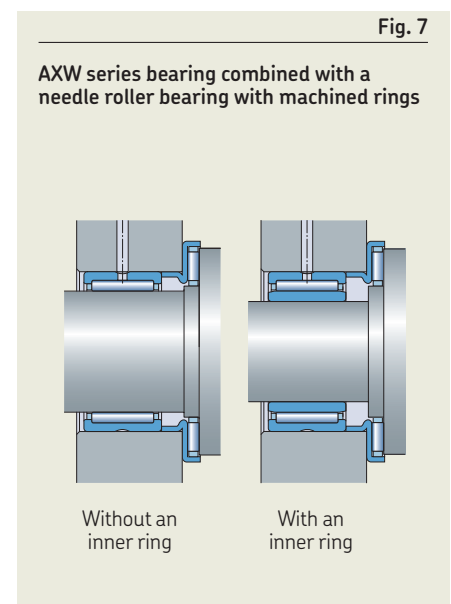
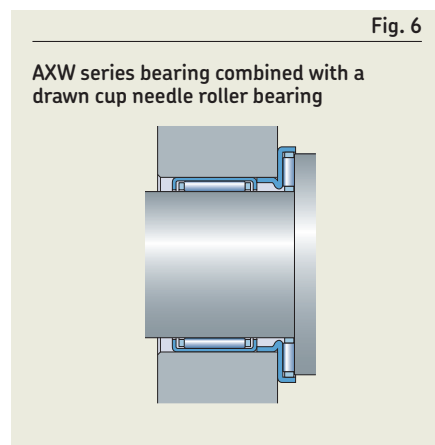
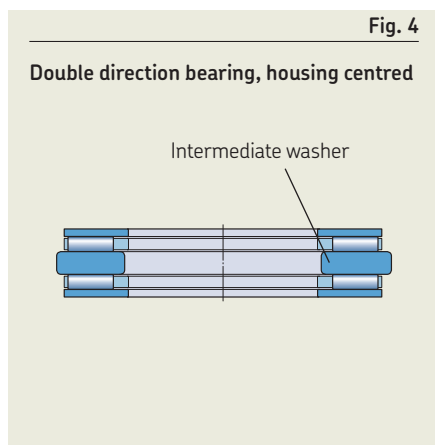
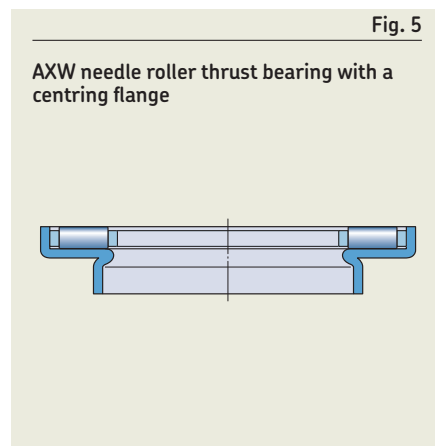
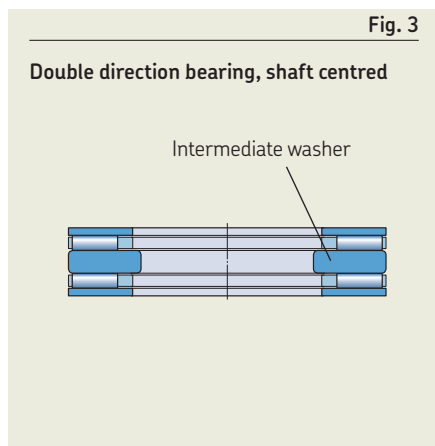
The flange facilitates mounting and accurately centres the housing washer radially (fig. 6 and fig. 7).

Combined needle roller bearing arrangements

To accommodate combined radial and axial loads, needle roller thrust bearings in the AXW series can be combined with the following radial needle roller bearings:

- drawn cup needle roller bearings with a closed end or with open ends (fig. 6)
- needle roller bearings with machined rings (fig. 7)

These arrangements provide a cost-effective and compact solution for combined loads.



Bearing washers

Bearing washers are required in applications where adjacent machine components cannot serve as raceways.

Appropriate washers are listed in the [product tables, page 906](#) and must be ordered separately, because of the number of possible combinations.

The following series can be combined with needle roller thrust bearings:

LS series universal washers

([fig. 8](#))

- are made of hardened carbon chromium bearing steel
- can be used as shaft or housing washers for needle roller thrust bearings in the AXK series
- can be used as shaft washers for bearings in the AXW series
- are available for $6 \leq d \leq 160$ mm
- raceway surface is ground, while all other surfaces are turned
- are used for applications where accurate centring of the washers is not necessary or where low speeds are involved
- washer face opposite the side with the chamfers is the raceway surface and should face the rollers

AS series thin universal washers

([fig. 9](#))

- are 1 mm thick
- are made of spring steel and hardened
- can be used as shaft or housing washers for needle roller thrust bearings in the AXK series
- can be used as shaft washers for bearings in the AXW series
- are available for $4 \leq d \leq 160$ mm
- can be used to provide a cost-effective bearing solution, if adjacent machine components are not hardened, but have adequate stiffness and the requirements to geometrical tolerances are moderate

Both faces of the washers are polished and can be used as raceways.

811 series shaft (prefix WS) and housing washers (prefix GS)

- are used primarily with cylindrical roller and cage thrust assemblies
- can also be combined with needle roller and cage thrust assemblies
- can be used in high-speed applications where accurate centring of the bearing washers is required

For additional information about 811 series washers, refer to *Cylindrical roller thrust bearings*, [page 877](#).

Cages

SKF needle roller thrust bearings are fitted with one of the cages shown in [table 1](#). Bearings in the AXW series are fitted exclusively with steel cages.

When used at high temperatures, some lubricants can have a detrimental effect on polyamide cages. For additional information about the suitability of cages, refer to *Cages*, [page 187](#).

Fig. 8

LS series universal washer

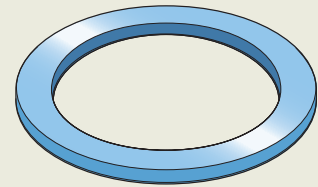
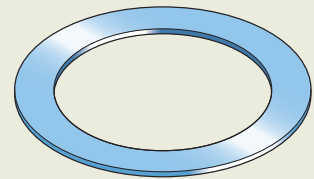


Fig. 9

AS series thin universal washer

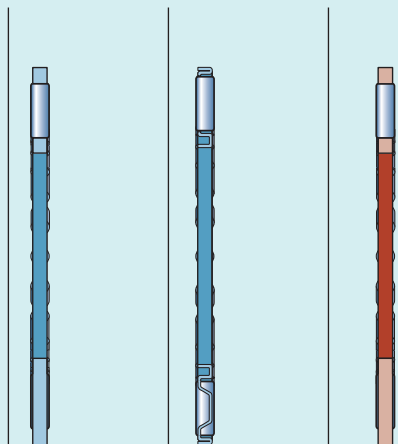


Bearing data

Dimension standards	Boundary dimensions: ISO 3031 (where standardized) Bearings in the AXW series are not standardized.
Tolerances	Tolerances, tolerance classes, standards (table 2, page 900)
For additional information → page 35	Values for tolerance classes (table 3, page 901) Variation of gauge lot diameter of the rollers: ISO 3096, Grade 2
Permissible misalignment	Cannot tolerate any misalignment.

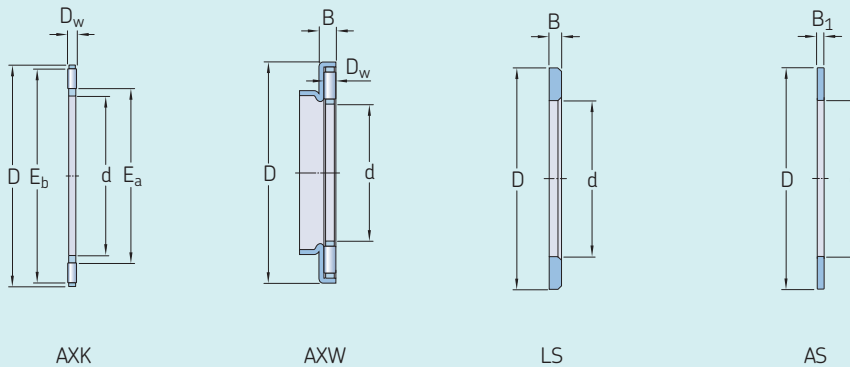
Table 1

Cages for needle roller thrust bearings



Materials	Machined steel	Sheet steel	Glass fibre reinforced PA66
Suffix	-	-	TN

Tolerances for needle roller thrust bearings



Bearing, component		Tolerance, tolerance class ¹⁾ , standard
Dimensions		
Needle roller and cage thrust assemblies, AXK		
Bore diameter	d	E12
Outside diameter	D	c13
Roller diameter	D _w	Grade 2, ISO 3096
Needle roller thrust bearings with a centring flange, AXW		
Bore diameter	d	E12
Outside diameter	D	-
Thickness	B	0/-0,2 mm
Roller diameter	D _w	Grade 2, ISO 3096
Universal washers, LS		
Bore diameter	d	E12
Outside diameter	D	a12
Thickness	B	h11
Axial run-out	s _i	Normal, ISO 199
Thin universal washers, AS		
Bore diameter	d	E13
Outside diameter	D	e13
Thickness (1 mm)	B ₁	±0,05 mm

¹⁾ The envelope requirement (symbol E from ISO 14405-1) is not shown but applies to all tolerance classes.

Table 3

ISO tolerance classes

Nominal diameter		a12 [Ⓔ] Deviations		c13 [Ⓔ] Deviations		e13 [Ⓔ] Deviations		h11 [Ⓔ] Deviations		E12 [Ⓔ] Deviations		E13 [Ⓔ] Deviations	
>	≤	U	L	U	L	U	L	U	L	U	L	U	L
mm	μm	μm		μm		μm		μm		μm		μm	
-	3	-	-	-	-	-	-	0	-60	-	-	-	-
3	6	-	-	-	-	-	-	0	-75	+140	+20	+200	+20
6	10	-	-	-	-	-	-	0	-90	+175	+25	+245	+25
10	18	-	-	-95	-365	-32	-302	-	-	+212	+32	+302	+32
18	30	-300	-510	-110	-440	-40	-370	-	-	+250	+40	+370	+40
30	40	-310	-560	-120	-510	-50	-440	-	-	+300	+50	+440	+50
40	50	-320	-570	-130	-520	-50	-440	-	-	+300	+50	+440	+50
50	65	-340	-640	-140	-600	-60	-520	-	-	+360	+60	+520	+60
65	80	-360	-660	-150	-610	-60	-520	-	-	+360	+60	+520	+60
80	100	-380	-730	-170	-710	-72	-612	-	-	+422	+72	+612	+72
100	120	-410	-760	-180	-720	-72	-612	-	-	+422	+72	+612	+72
120	140	-460	-860	-200	-830	-85	-715	-	-	+485	+85	+715	+85
140	160	-520	-920	-210	-840	-85	-715	-	-	+485	+85	+715	+85
160	180	-580	-980	-230	-860	-85	-715	-	-	-	-	-	-
180	200	-660	-1 120	-240	-960	-100	-820	-	-	-	-	-	-

Loads

Minimum load For additional information → page 106	$F_{am} = 0,0005 C_0$	Symbols C_0 basic static load rating [kN] (product tables, page 906) F_a axial load [kN] F_{am} minimum axial load [kN] P equivalent dynamic bearing load [kN] P_0 equivalent static bearing load [kN]
Equivalent dynamic bearing load For additional information → page 91	$P = F_a$	
Equivalent static bearing load For additional information → page 105	$P_0 = F_a$	

Temperature limits

The permissible operating temperature for needle roller thrust bearings can be limited by:

- the dimensional stability of the bearing washers and rollers
- the cage
- the lubricant

Where temperatures outside the permissible range are expected, contact SKF.

Bearing washers and rollers

The bearings are heat stabilized up to at least 120 °C (250 °F).

Cages

Steel cages can be used at the same operating temperatures as the bearing washers and rollers. For temperature limits of polymer cages, refer to *Polymer cages*, [page 188](#).

Lubricants

For temperature limits of SKF greases, refer to *Selecting a suitable SKF grease*, [page 116](#).

When using lubricants not supplied by SKF, temperature limits should be evaluated according to the SKF traffic light concept ([page 117](#)).

Permissible speed

The speed ratings in the [product tables, page 906](#) indicate:

- the **reference speed**, which enables a quick assessment of the speed capabilities from a thermal frame of reference
- the **limiting speed**, which is a mechanical limit that should not be exceeded unless the bearing design and the application are adapted for higher speeds

For additional information, refer to *Operating temperature and speed*, [page 130](#).

Design considerations

Abutment dimensions

Abutment dimensions should fulfill the following:

- Support surfaces on shafts and in housings should be at right angles to the shaft or housing axis and should provide uninterrupted support over the entire washer face.
- The abutment diameter on the shaft should be $\leq E_a$ and in the housing $\geq E_b$. Values for E_a and E_b (product tables, page 906) take the movement and position of the roller set into consideration.
- Shafts and housings should be manufactured to suitable tolerance classes (table 4) to provide satisfactory radial guidance for the individual thrust bearing components:
 - Housing centred washers → radial space between the shaft and washer bore required
 - Shaft centred washers → radial space between the washer and the housing bore required

Needle roller and cage thrust assemblies in the AXW series are generally combined with drawn cup needle roller bearings (fig. 6, page 897) or needle roller bearings with machined rings (fig. 7, page 897). The same housing tolerance must be selected for the centring flange as for the radial bearing.

Needle roller and cage thrust assemblies are generally shaft centred, to reduce the circumferential speed at which the cage slides against the guiding surface. This is particularly important for higher-speed applications. The guiding surface should be ground.

Raceways on shafts and in housings

- should have the same hardness, surface finish and axial run-out as a bearing washer, if the load carrying capacity of a needle roller and cage thrust assembly is to be fully exploited
- should be designed using the dimensions E_a and E_b (product tables, page 906), which take radial displacement of the roller set into consideration

For additional information, refer to *Raceways on shafts and in housings*, page 179.

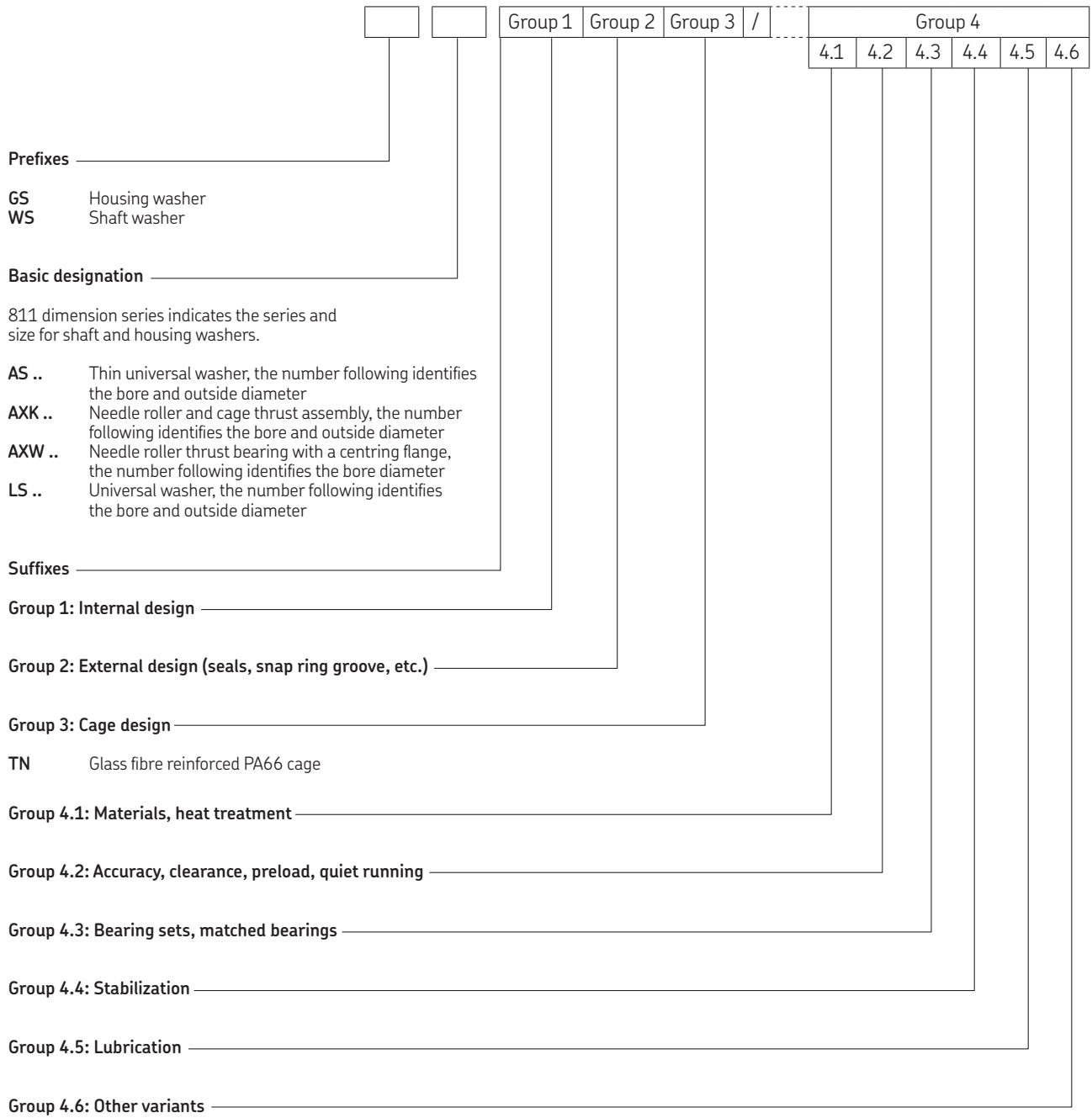
Table 4

Shaft and housing tolerance classes

Bearing component	Series	Tolerance class ¹⁾	
		Shaft centred	Housing centred
Needle roller and cage thrust assemblies	AXK	h8	–
Universal washers	LS	h8 radial space	radial space H9
Thin universal washers	AS	h8 radial space	radial space H9
Shaft washers	WS 811	h8	–
Housing washers	GS 811	–	H9

¹⁾ The envelope requirement (symbol E from ISO 14405-1) is not shown but applies to all tolerance classes.

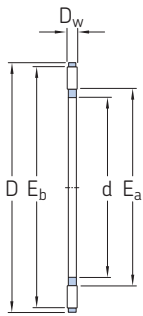
Designation system





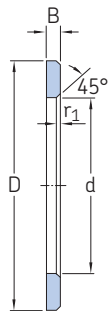
12.1 Needle roller and cage thrust assemblies

d 4 – 85 mm

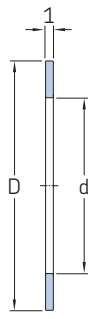


Principal dimensions					Basic load ratings		Fatigue load limit	Speed ratings		Mass	Designation
d	D	D _w	E _a min.	E _b max.	C	C ₀		Reference speed	Limiting speed		
mm					kN		kN	r/min		g	–
4	14	2	5	13	4,15	8,3	0,95	7 500	15 000	0,7	AXK 0414 TN
5	15	2	6	14	4,5	9,5	1,08	6 700	14 000	0,8	▶ AXK 0515 TN
6	19	2	7	18	6,3	16	1,86	6 000	12 000	1	AXK 0619 TN
8	21	2	9	20	7,2	20	2,32	5 600	11 000	2	▶ AXK 0821 TN
10	24	2	12	23	8,5	26	3	5 300	10 000	3	▶ AXK 1024
12	26	2	14	25	9,15	30	3,45	5 000	10 000	3	▶ AXK 1226
15	28	2	17	27	10,4	37,5	4,3	4 800	9 500	4	▶ AXK 1528
17	30	2	19	29	11	40,5	4,75	4 500	9 500	3,65	▶ AXK 1730
20	35	2	22	34	12	47,5	5,6	4 300	8 500	5	▶ AXK 2035
25	42	2	29	41	13,4	60	6,95	3 800	7 500	7	▶ AXK 2542
30	47	2	34	46	15	72	8,3	3 600	7 000	8	▶ AXK 3047
35	52	2	39	51	16,6	83	9,8	3 200	6 300	10	▶ AXK 3552
40	60	3	45	58	25	114	13,7	2 800	5 600	16	▶ AXK 4060
45	65	3	50	63	27	127	15,3	2 600	5 300	18	▶ AXK 4565
50	70	3	55	68	28,5	143	17	2 400	5 000	20	▶ AXK 5070
55	78	3	60	76	34,5	186	22,4	2 200	4 300	28	▶ AXK 5578
60	85	3	65	83	37,5	232	28,5	2 200	4 300	33	▶ AXK 6085
65	90	3	70	88	39	255	31	2 000	4 000	35	▶ AXK 6590
70	95	4	74	93	49	255	31	1 800	3 600	60	▶ AXK 7095
75	100	4	79	98	50	265	32,5	1 700	3 400	61	▶ AXK 75100
80	105	4	84	103	51	280	34	1 700	3 400	63	▶ AXK 80105
85	110	4	89	108	52	290	35,5	1 700	3 400	67	▶ AXK 85110

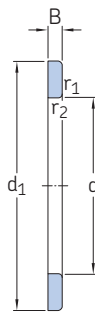
▶ Popular item



LS



AS



WS 811

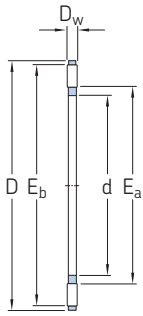


GS 811

Dimensions						Masses		Designations			
d	d ₁	D	D ₁	B	r _{1,2} min.	Washers LS, WS, GS	AS	Universal washer	Thin universal washer	Shaft washer	Housing washer
mm						g		-			
4	-	14	-	-	-	-	1	-	AS 0414	-	-
5	-	15	-	-	-	-	1	-	AS 0515	-	-
6	-	19	-	2,75	0,3	6	2	LS 0619	AS 0619	-	-
8	-	21	-	2,75	0,3	6	2	LS 0821	AS 0821	-	-
10	-	24	-	2,75	0,3	8	3	LS 1024	AS 1024	-	-
12	-	26	-	2,75	0,3	9	3	LS 1226	AS 1226	-	-
15	28	28	16	2,75	0,3	9	3	LS 1528	AS 1528	WS 81102	GS 81102
17	30	30	18	2,75	0,3	9	4	LS 1730	AS 1730	WS 81103	GS 81103
20	35	35	21	2,75	0,3	13	5	LS 2035	AS 2035	WS 81104	GS 81104
25	42	42	26	3	0,6	19	7	LS 2542	AS 2542	WS 81105	GS 81105
30	47	47	32	3	0,6	22	8	LS 3047	AS 3047	WS 81106	GS 81106
35	52	52	37	3,5	0,6	29	9	LS 3552	AS 3552	WS 81107	GS 81107
40	60	60	42	3,5	0,6	40	12	LS 4060	AS 4060	WS 81108	GS 81108
45	65	65	47	4	0,6	50	13	LS 4565	AS 4565	WS 81109	GS 81109
50	70	70	52	4	0,6	55	14	LS 5070	AS 5070	WS 81110	GS 81110
55	78	78	57	5	0,6	88	18	LS 5578	AS 5578	WS 81111	GS 81111
60	85	85	62	4,75	1	97	22	LS 6085	AS 6085	WS 81112	GS 81112
65	90	90	67	5,25	1	115	24	LS 6590	AS 6590	WS 81113	GS 81113
70	95	95	72	5,25	1	123	25	LS 7095	AS 7095	WS 81114	GS 81114
75	100	100	77	5,75	1	142	27	LS 75100	AS 75100	WS 81115	GS 81115
80	105	105	82	5,75	1	151	28	LS 80105	AS 80105	WS 81116	GS 81116
85	110	110	87	5,75	1	159	29	LS 85110	AS 85110	WS 81117	GS 81117

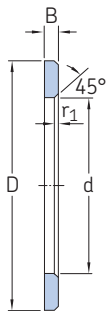
12.1 Needle roller and cage thrust assemblies

d 90 – 160 mm

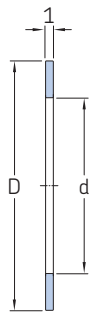


Principal dimensions					Basic load ratings		Fatigue load limit	Speed ratings		Mass	Designation
d	D	D _w	E _a min.	E _b max.	C dynamic	C ₀ static		Reference speed	Limiting speed		
mm					kN		kN	r/min		g	–
90	120	4	94	118	65,5	405	49	1 500	3 000	86	▶ AXK 90120
100	135	4	105	133	76,5	560	65,5	1 400	2 800	104	▶ AXK 100135
110	145	4	115	143	81,5	620	72	1 300	2 600	122	▶ AXK 110145
120	155	4	125	153	86,5	680	76,5	1 300	2 600	131	▶ AXK 120155
130	170	5	136	167	112	830	93	1 100	2 200	205	AXK 130170
140	180	5	146	177	116	900	96,5	1 000	2 000	219	▶ AXK 140180
150	190	5	156	187	120	950	102	1 000	2 000	232	AXK 150190
160	200	5	166	197	125	1 000	106	950	1 900	246	▶ AXK 160200

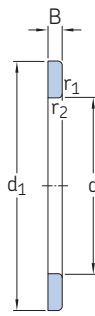




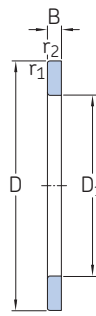
LS



AS



WS 811



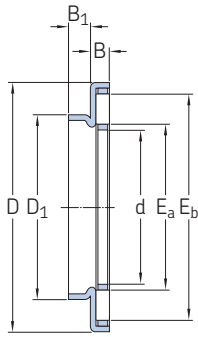
GS 811

Dimensions						Masses		Designations			
d	d ₁	D	D ₁	B	r _{1,2} min.	Washers LS, WS, GS	AS	Universal washer	Thin universal washer	Shaft washer	Housing washer
mm						g		-			
90	120	120	92	6,5	1	234	39	LS 90120	AS 90120	WS 81118	GS 81118
100	135	135	102	7	1	350	50	LS 100135	AS 100135	WS 81120	GS 81120
110	145	145	112	7	1	385	55	LS 110145	AS 110145	WS 81122	GS 81122
120	155	155	122	7	1	415	59	LS 120155	AS 120155	WS 81124	GS 81124
130	170	170	132	9	1	663	65	LS 130170	AS 130170	WS 81126	GS 81126
140	178	180	142	9,5	1	749	79	LS 140180	AS 140180	WS 81128	GS 81128
150	188	190	152	9,5	1	796	84	LS 150190	AS 150190	WS 81130	GS 81130
160	198	200	162	9,5	1	842	89	LS 160200	AS 160200	WS 81132	GS 81132



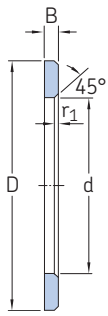
12.2 Needle roller thrust bearings with a centring flange

d 10 – 45 mm

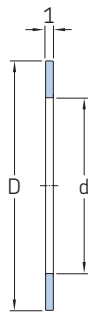


Principal dimensions							Basic load ratings		Fatigue load limit	Speed ratings		Mass	Designation
d	D	D ₁	B	B ₁	E _a min.	E _b max.	dynamic C	static C ₀		Reference speed	Limiting speed		
mm							kN		kN	r/min		g	–
10	27	14	3,2	3	12	23	8,5	26	3	5 300	10 000	8,3	AXW 10
12	29	16	3,2	3	14	25	9,15	30	3,45	5 000	10 000	9,1	AXW 12
15	31	21	3,2	3,5	17	27	10,4	37,5	4,3	4 800	9 500	10	AXW 15
20	38	26	3,2	3,5	22	34	12	47,5	5,6	4 300	8 500	14	AXW 20
25	45	32	3,2	4	29	41	13,4	60	6,95	3 800	7 500	20	AXW 25
30	50	37	3,2	4	34	46	15	72	8,3	3 600	7 000	22	AXW 30
35	55	42	3,2	4	39	51	16,6	83	9,8	3 200	6 300	27	AXW 35
40	63	47	4,2	4	45	58	25	114	13,7	2 800	5 600	39	AXW 40
45	68	52	4,2	4	50	63	27	127	15,3	2 600	5 300	43	AXW 45

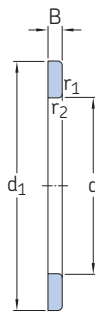




LS



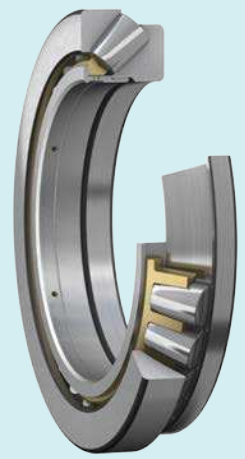
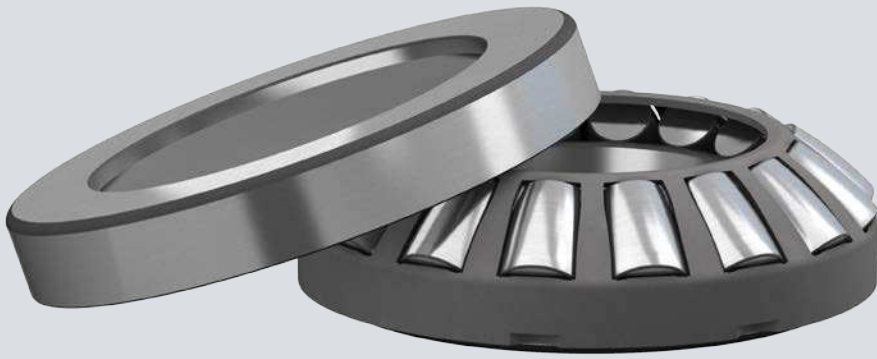
AS



WS 811

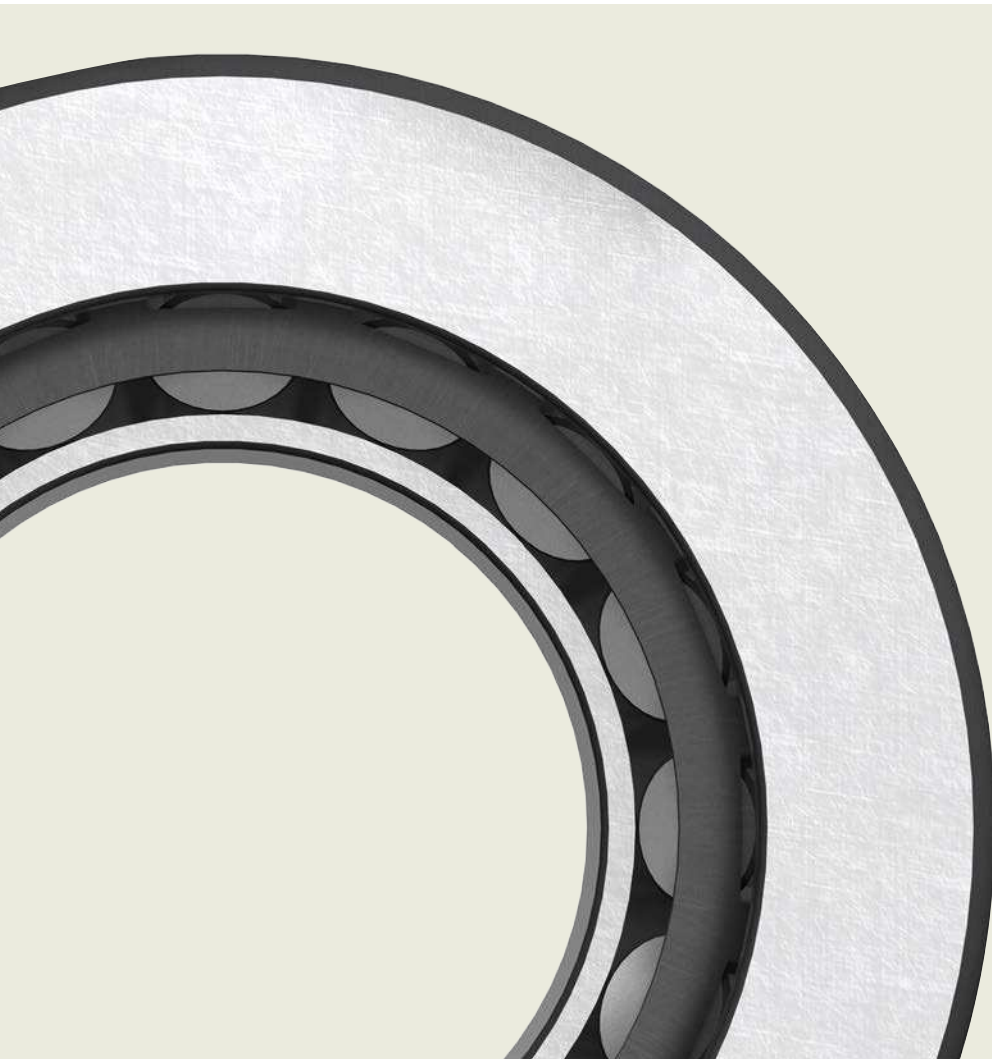
Dimensions			Masses Washers LS, WS AS		Designations Universal washer Thin universal washer Shaft washer			
d	d ₁ , D	B	r _{1,2} min.					
mm				g	-			
10	24	2,75	0,3	8	3	LS 1024	AS 1024	-
12	26	2,75	0,3	9	3	LS 1226	AS 1226	-
15	28	2,75	0,3	9	3	LS 1528	AS 1528	WS 81102
20	35	2,75	0,3	13	5	LS 2035	AS 2035	WS 81104
25	42	3	0,6	19	7	LS 2542	AS 2542	WS 81105
30	47	3	0,6	22	8	LS 3047	AS 3047	WS 81106
35	52	3,5	0,6	29	9	LS 3552	AS 3552	WS 81107
40	60	3,5	0,6	40	12	LS 4060	AS 4060	WS 81108
45	65	4	0,6	50	13	LS 4565	AS 4565	WS 81109





13

Spherical roller thrust bearings



13 Spherical roller thrust bearings

Designs and variants	915		
Basic design bearings	915		
SKF Explorer bearings	915		
Cages	915		
Bearing data	916		
(Dimension standards, tolerances, permissible misalignment, friction, starting torque, power loss)			
Loads	917		
(Minimum load, equivalent dynamic bearing load, equivalent static bearing load)			
Temperature limits	918		
Permissible speed	918		
Design considerations	918		
Abutment dimensions	918		
Recessed housing bore for bearings with a stamped steel cage	918		
Axial clearance in bearing arrangements	918		
Lubrication	919		
Pumping effect in oil lubricated applications	919		
Mounting	920		
Designation system	921		
Product table		Other spherical roller thrust bearings	
13.1 Spherical roller thrust bearings	922	NoWear coated bearings	1059

13 Spherical roller thrust bearings

More information

General bearing knowledge	17
Bearing selection process	59
Lubrication	109
Bearing interfaces	139
Seat tolerances for standard conditions	148
Sealing, mounting and dismounting	193

Mounting instructions for individual bearings → skf.com/mount

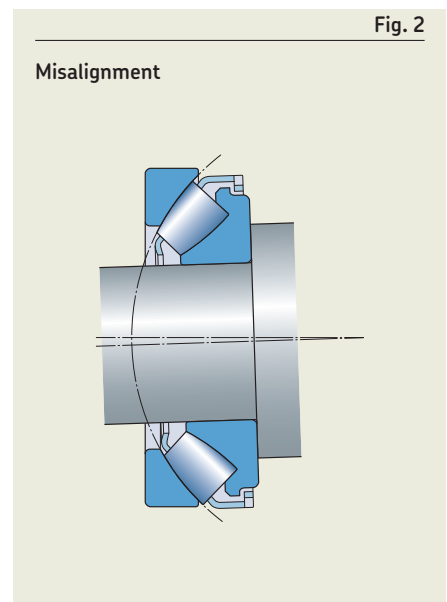
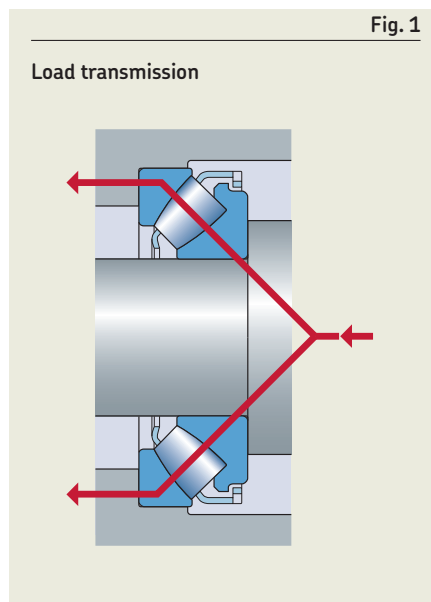
SKF bearing maintenance handbook ISBN 978-91-978966-4-1

SKF spherical roller thrust bearings have specially designed raceways and asymmetrical rollers. The bearings can accommodate axial loads acting in one direction and simultaneously acting radial loads. The load is transmitted between the raceways via the rollers at an angle to the bearing axis, while the flange guides the rollers (**fig. 1**).

Bearing features

- **High load carrying capacity**
The large number of rollers, which have an optimum conformity with the washer raceways, enables the bearings to accommodate heavy axial and simultaneously acting radial loads.
- **Accommodate misalignment**
SKF spherical roller thrust bearings are self-aligning and can accommodate misalignment (**fig. 2**).

- **Separable design**
SKF spherical roller thrust bearings are separable, making it possible to mount and dismount the housing washer separately from the shaft washer and roller and cage assembly. In addition this facilitates maintenance inspections.
- **High speed capability**
The cage designs and the optimum conformity of the rollers with the washer raceways make the bearings suitable for relatively high speeds.
- **Long service life**
The special roller profile reduces edge stresses at the roller/raceway contact.
- **Low friction**
The optimized roller end / flange contact keeps frictional heat at low level, even at high speeds.



Designs and variants

Basic design bearings

Depending on their series and size, SKF spherical roller thrust bearings are manufactured to two basic designs (fig. 3). Their cage forms a non-separable unit with the shaft washer and rollers.

Bearings with no designation suffix (e.g. 29272)

- are fitted with a machined brass prong-type cage as standard

E design bearings (designation suffix E)

- have larger rollers and an optimized internal design for increased load carrying capacity
- are fitted with one of the following cages, depending on bearing size:
 - size ≤ 68 → stamped steel window-type cage
 - size ≥ 72 → machined metal prong-type cage

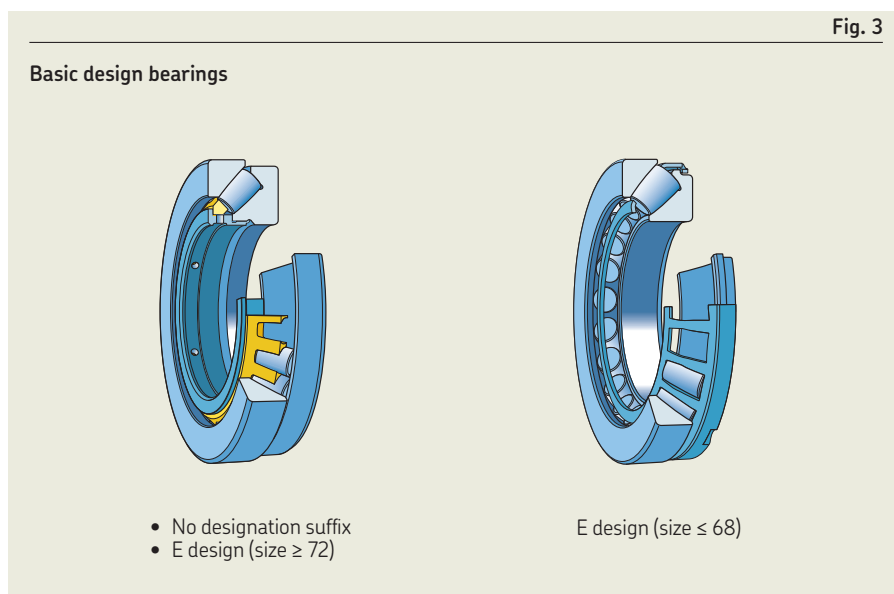
SKF Explorer bearings

For information, refer to [page 7](#).

Cages

Cages in SKF spherical roller thrust bearings are an integral part of the bearing internal design. All SKF spherical roller thrust bearings contain a strong metal cage. This enables them to tolerate high temperatures and operate with all lubricants.

For additional information about the suitability of cages, refer to *Cages*, [page 187](#).



Bearing data

Dimension standards	Boundary dimensions: ISO 104
Tolerances	Normal Total height H: <ul style="list-style-type: none"> for basic design bearings, tolerance at least 50% tighter than ISO standard for SKF Explorer bearings, tolerance 75% tighter than ISO standard
For additional information → page 35	Values: ISO 199 (table 10, page 46)
Permissible misalignment	The permissible misalignment is reduced as the load increases. Guideline values for rotating shaft applications: table 1 . Whether these values can be fully exploited depends on the design of the bearing arrangement, the external sealing design, etc. For applications with a rotating housing washer, or where the direction of misalignment is not constant relative to the housing washer, additional sliding may occur in the bearing and misalignment should be $< 0,1^\circ$.
Friction, starting torque, power loss	→ skf.com/bearingcalculator For temperature and/or cooling requirement calculations for large bearings ($d_m > 400 \text{ mm}$) ¹⁾ , vertical shafts and fully submerged conditions, contact the SKF application engineering service.

¹⁾ d_m = bearing mean diameter [mm]
= $0,5 (d + D)$

Table 1

Permissible angular misalignment for rotating shafts

Bearing series	Permissible misalignment where bearing load P_0 ¹⁾		
	$< 0,05 C_0$	$\geq 0,05 C_0$	$> 0,3 C_0$
–	°		
292(E)	2	1,5	1
293(E)	2,5	1,5	0,3
294(E)	3	1,5	0,3

¹⁾ Refer to *Equivalent static bearing load*.

Loads

<p>Minimum load</p> <p>The minimum load requirements can be ignored for bearings operating at the relatively low speeds shown within the green area in diagram 1, page 919.</p> <p>For operating speeds outside the green area use:</p> $F_{am} = C_r F_r + A \left(\frac{n}{1\ 000} \right)^2 + F_{lub}$ $v n \geq 2\ 000 \rightarrow F_{lub} = \frac{2 \times 10^{-9} f_0 (v n)^{2/3} [0,5 (d + D)]^3}{d}$ $v n < 2\ 000 \rightarrow F_{lub} = \frac{3,2 \times 10^{-7} f_0 [0,5 (d + D)]^3}{d}$ <p>For additional information → page 106</p>		<p>Symbols</p> <p>A minimum load factor (product table, page 922)</p> <p>C_r load factor = 1,8 for 292 series = 2,0 for 293 series = 2,2 for 294 series</p> <p>D bearing outside diameter [mm]</p> <p>d bearing bore diameter [mm]</p> <p>f_0 factor for lubrication method For oil bath lubrication with a horizontal shaft and for grease lubrication: = 3 for 292 series = 3,5 for 293 series = 4 for 294 series For oil bath lubrication with a vertical shaft and for oil jet lubrication: = 6 for 292 series = 7 for 293 series = 8 for 294 series</p> <p>F_{am} minimum axial load [kN]</p> <p>F_{lub} axial load required to overcome lubricant drag [kN]</p> <p>F_r radial load [kN]</p> <p>n rotational speed [r/min]</p> <p>P equivalent dynamic bearing load [kN]</p> <p>P_0 equivalent static bearing load [kN]</p> <p>X calculation factor = 1,1 for 292 series = 1,2 for 293 series = 1,3 for 294 series</p> <p>X_0 calculation factor = 2,5 for 292 series = 2,7 for 293 series = 2,9 for 294 series</p> <p>v actual operating viscosity of the lubricant [mm²/s]</p>
<p>Equivalent dynamic bearing load</p> <p>For additional information → page 91</p>	<p>$F_r \leq 0,55 F_a$ and:</p> <ul style="list-style-type: none"> if run-out in the bearing arrangement does not affect the load distribution in the spherical roller thrust bearing → $P = 0,88 (F_a + X F_r)$ if run-out in the bearing arrangement affects the load distribution in the spherical roller thrust bearing (e.g. the run-out of another bearing that induces radial forces) → $P = F_a + X F_r$ <p>$F_r > 0,55 F_a \rightarrow$ Use an additional bearing, which accommodates the radial load.</p>	
<p>Equivalent static bearing load</p> <p>For additional information → page 105</p>	<p>$F_r \leq 0,55 F_a \rightarrow P_0 = F_a + X_0 F_r$</p> <p>$F_r > 0,55 F_a \rightarrow$ Use an additional bearing, which accommodates the radial load.</p>	

Temperature limits

The permissible operating temperature for spherical roller thrust bearings can be limited by:

- the dimensional stability of the bearing washers
- the lubricant

Where temperatures outside the permissible range are expected, contact SKF.

Bearing washers

The washers of SKF spherical roller thrust bearings are heat stabilized up to 200 °C (390 °F).

Lubricants

For temperature limits of SKF greases, refer to *Selecting a suitable SKF grease*, page 116.

When using lubricants not supplied by SKF, temperature limits should be evaluated according to the SKF traffic light concept (page 117).

Permissible speed

The speed ratings in the [product table](#), page 922, indicate:

- the **reference speed**, which enables a quick assessment of the speed capabilities from a thermal frame of reference
- the **limiting speed**, which is a mechanical limit that should not be exceeded unless the bearing design and the application are adapted for higher speeds

For additional information, refer to *Operating temperature and speed*, page 130.

Design considerations

Abutment dimensions

The abutment dimensions $d_{a\ min}$ and $D_{a\ max}$ listed in the [product table](#), page 922, apply for axial bearing loads $F_a \leq 0,1 C_0$.

For heavier bearing loads, it may be necessary to support the shaft and housing washers over their entire side faces ($d_a = d_1$ and $D_a = D_1$).

For heavy loads, where $P > 0,1 C_0$, the shaft washer bore must be fully supported by the shaft, preferably by an interference fit. Even the housing washer should be radially supported (fig. 4).

For additional information about dimensioning washer supports, contact the SKF application engineering service.

Recessed housing bore for bearings with a stamped steel cage

For bearings fitted with a stamped steel window-type cage, the housing bore must be recessed (fig. 5) to prevent the cage from

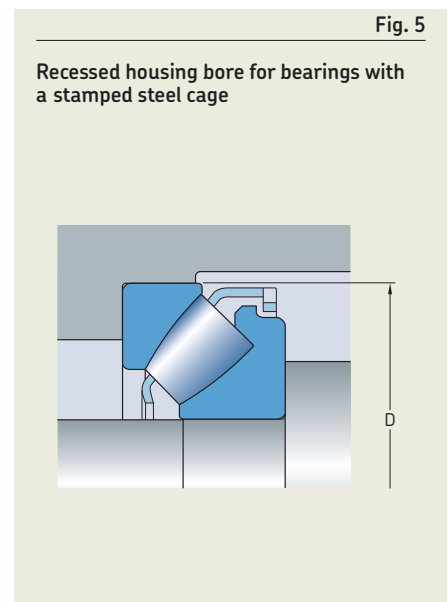
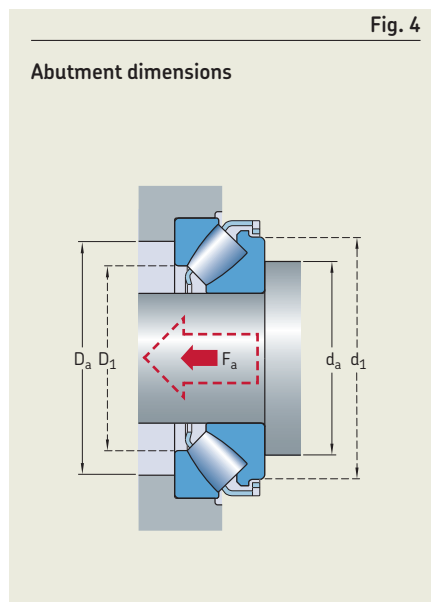
contacting the housing during possible misalignment. SKF recommends the following guideline values for the recess diameter:

- $D + 15\ \text{mm}$ for bearings with an outside diameter $D \leq 380\ \text{mm}$
- $D + 20\ \text{mm}$ for bearings with an outside diameter $D > 380\ \text{mm}$

Axial clearance in bearing arrangements

SKF spherical roller thrust bearings in face-to-face or back-to-back arrangements should be preloaded. However, at the relatively low speeds shown within the green area in [diagram 1](#), the application can be designed to operate with a small axial clearance. For these applications, bearings with a modified shaft washer (designation suffix VU029) should be used. Small axial clearance enables simple and cost-effective bearing arrangements to be used, e.g. for horizontal shaft applications at relatively low speeds, as no external preload is necessary.

For additional information about bearing arrangements with axial clearance, contact the SKF application engineering service.



Lubrication

Generally, SKF spherical roller thrust bearings can be lubricated with oil or grease containing EP additives.

Where lubricating with grease, the roller end / flange contacts must be supplied with an adequate amount of grease. Make sure to use a grease with high oil bleeding, such as SKF LGWM 1, LGWM 2 or LGEP 2 (*Selecting a suitable SKF grease, page 116*).

Pumping effect in oil lubricated applications

The internal design of spherical roller thrust bearings creates a pumping action, which produces a flow from the small to the large roller end face, that can be taken advantage of in oil lubricated applications. This pumping action occurs in applications where the shaft is vertical or horizontal (*fig. 6*) and should be considered when selecting the type of lubricant and sealing arrangement.

For bearings with a machined cage used in high-speed applications, SKF recommends the oil injection lubrication method (*fig. 7*).

For additional information about lubricating spherical roller thrust bearings, contact the SKF application engineering service.

Diagram 1

Minimum load requirements for spherical roller thrust bearings

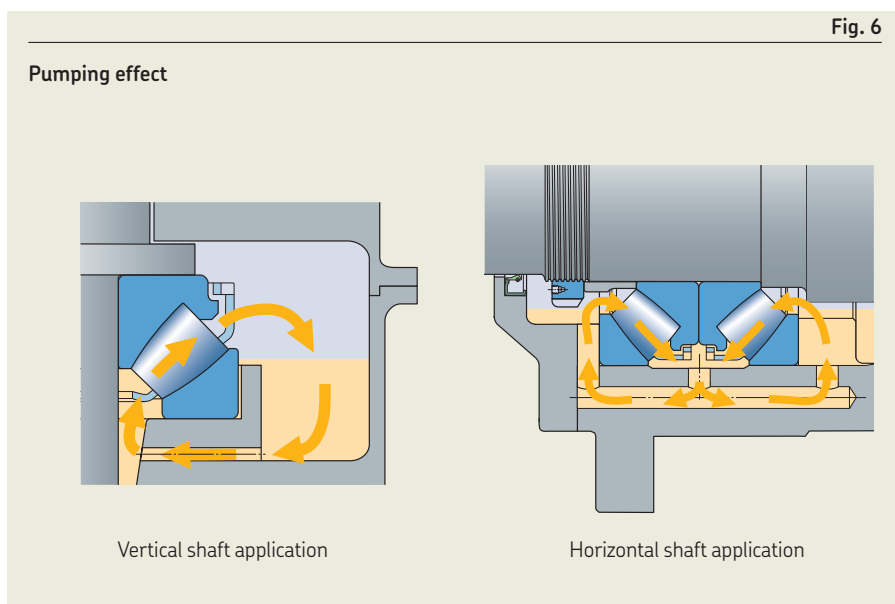
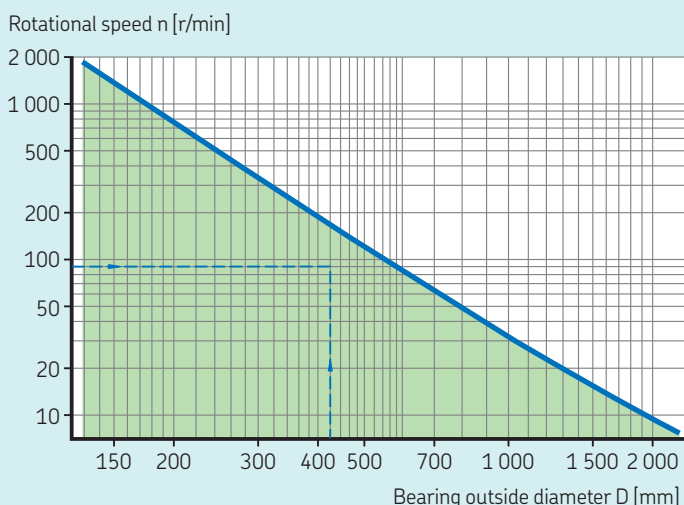


Fig. 6

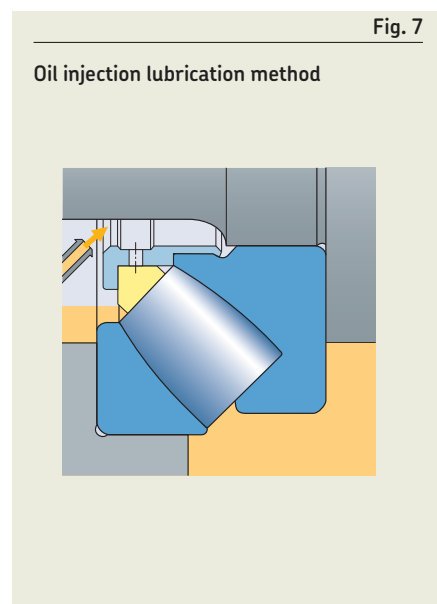


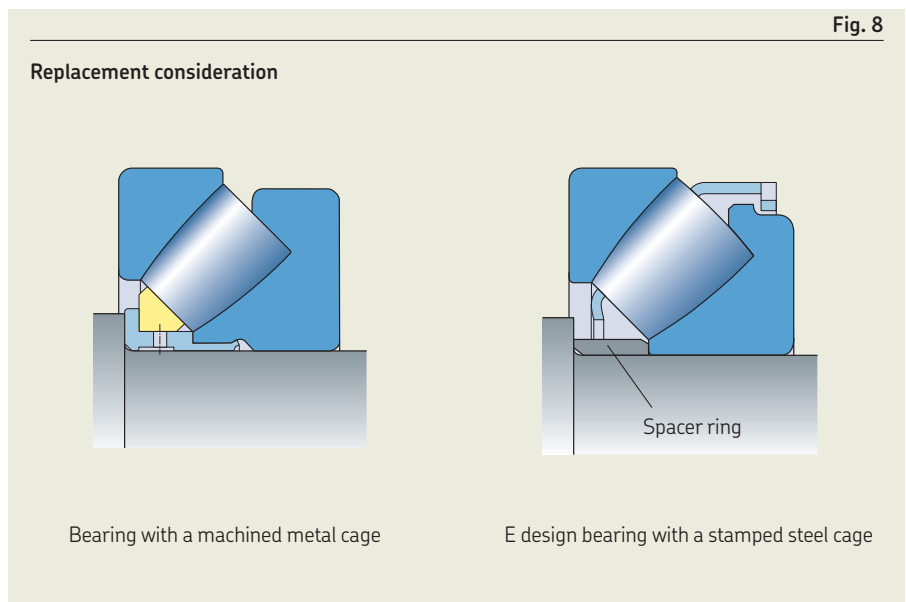
Fig. 7

Mounting

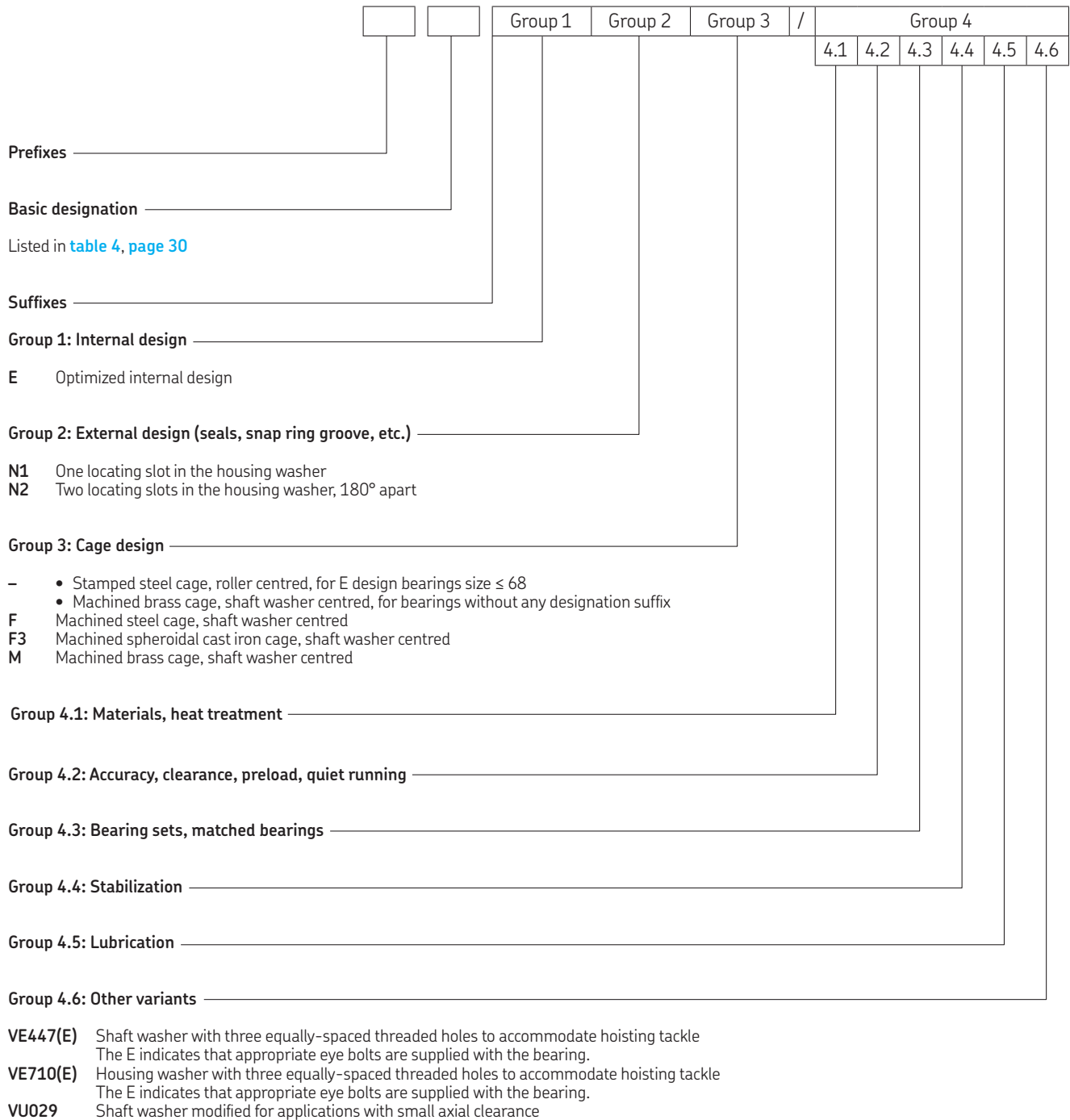
SKF spherical roller thrust bearings are separable, making it possible to mount and dismount the housing washer separately from the shaft washer and roller and cage assembly.

Where a spherical roller thrust bearing with a machined metal cage is to be replaced by an E design bearing with a stamped steel cage, and axial forces are transmitted via the cage guiding sleeve, a spacer ring must be inserted between the shaft abutment and the shaft washer (fig. 8).

The spacer ring must be hardened and its side faces should be ground. Appropriate spacer ring dimensions for SKF spherical roller thrust bearings are listed in the [product table, page 922](#).

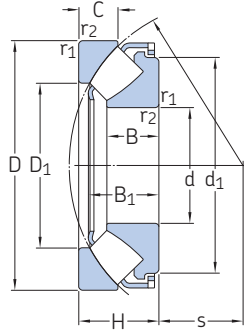


Designation system

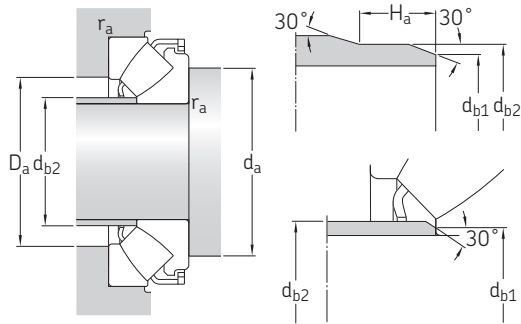


13.1 Spherical roller thrust bearings

d 60 – 180 mm



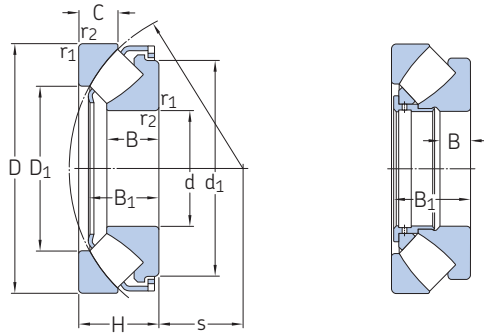
Principal dimensions			Basic load ratings		Fatigue load limit	Minimum load factor	Speed ratings		Mass	Designation
d	D	H	C	C ₀			Reference speed	Limiting speed		
mm			kN		kN	–	r/min	kg	–	
60	130	42	390	915	114	0,08	2 800	5 000	2,6	▶ 29412 E
65	140	45	455	1 080	137	0,11	2 600	4 800	3,2	▶ 29413 E
70	150	48	520	1 250	153	0,15	2 400	4 300	3,9	▶ 29414 E
75	160	51	600	1 430	173	0,19	2 400	4 000	4,7	▶ 29415 E
80	170	54	670	1 630	193	0,25	2 200	3 800	5,6	▶ 29416 E
85	150	39	380	1 060	129	0,11	2 400	4 000	2,75	▶ 29317 E
	180	58	735	1 800	212	0,31	2 000	3 600	6,75	▶ 29417 E
90	155	39	400	1 080	132	0,11	2 400	4 000	2,85	▶ 29318 E
	190	60	815	2 000	232	0,38	1 900	3 400	7,75	▶ 29418 E
100	170	42	465	1 290	156	0,16	2 200	3 600	3,65	▶ 29320 E
	210	67	980	2 500	275	0,59	1 700	3 000	10,5	▶ 29420 E
110	190	48	610	1 730	204	0,28	1 900	3 200	5,3	▶ 29322 E
	230	73	1 180	3 000	325	0,86	1 600	2 800	13,5	▶ 29422 E
120	210	54	765	2 120	245	0,43	1 700	2 800	7,35	▶ 29324 E
	250	78	1 370	3 450	375	1,1	1 500	2 600	17,5	▶ 29424 E
130	225	58	865	2 500	280	0,59	1 600	2 600	9	▶ 29326 E
	270	85	1 560	4 050	430	1,6	1 300	2 400	22	▶ 29426 E
140	240	60	980	2 850	315	0,77	1 500	2 600	10,5	▶ 29328 E
	280	85	1 630	4 300	455	1,8	1 300	2 400	23	▶ 29428 E
150	215	39	408	1 600	180	0,24	1 800	2 800	4,3	▶ 29230 E
	250	60	1 000	2 850	315	0,77	1 500	2 400	11	▶ 29330 E
	300	90	1 860	5 100	520	2,5	1 200	2 200	28	▶ 29430 E
160	270	67	1 180	3 450	375	1,1	1 300	2 200	14,5	▶ 29332 E
	320	95	2 080	5 600	570	3	1 100	2 000	32	▶ 29432 E
170	280	67	1 200	3 550	365	1,2	1 300	2 200	15	▶ 29334 E
	340	103	2 360	6 550	640	4,1	1 100	1 900	44,5	▶ 29434 E
180	250	42	495	2 040	212	0,4	1 600	2 600	5,8	▶ 29236 E
	300	73	1 430	4 300	440	1,8	1 200	2 000	19,5	▶ 29336 E
	360	109	2 600	7 350	710	5,1	1 000	1 800	52,5	▶ 29436 E



Dimensions								Abutment and fillet dimensions					
d	d ₁ ≈	D ₁ ≈	B	B ₁	C	r _{1,2} min.	s	d _a min.	d _{b1} max.	d _{b2} max.	H _a min.	D _a max.	r _a max.
mm								mm					
60	112	85,5	27	36,7	21	1,5	38	90	67	67	–	107	1,5
65	120	91,5	29,5	39,8	22	2	42	100	72	72	–	117	2
70	129	99	31	41	23,8	2	44,8	105	77	77	–	125	2
75	138	106	33,5	45,7	24,5	2	47	115	82	82	–	133	2
80	147	113	35	48,1	26,5	2,1	50	120	88	88	–	141	2
85	134 155	110 121	24,5 37	33,8 51,1	20 28	1,5 2,1	50 54	115 130	90 94	90 94	– –	129 151	1,5 2
90	138 164	115 128	24,5 39	34,5 54	19,5 28,5	1,5 2,1	53 56	120 135	95 99	95 99	– –	134 158	1,5 2
100	152 182	128 142	26,2 43	36,3 57,3	20,5 32	1,5 3	58 62	130 150	107 110	107 110	– –	147 175	1,5 2,5
110	171 199	140 156	30,3 47	41,7 64,7	24,8 34,7	2 3	63,8 69	145 165	117 120	117 129	– –	164 193	2 2,5
120	188 216	155 171	34 50,5	48,2 70,3	27 36,5	2,1 4	70 74	160 180	128 132	128 142	– –	181 209	2 3
130	203 234	166 185	36,7 54	50,6 76	30,1 40,9	2,1 4	75,6 81	175 195	138 142	143 153	– –	194 227	2 3
140	216 245	177 195	38,5 54	54 75,6	30 41	2,1 4	82 86	185 205	148 153	154 162	– –	208 236	2 3
150	200 223 262	176 190 208	24 38 58	34,3 54,9 80,8	20,5 28 43,4	1,5 2,1 4	82 87 92	180 195 220	154 158 163	154 163 175	14 – –	193 219 253	1,5 2 3
160	243 279	203 224	42 60,5	60 84,3	33 45,5	3 5	92 99	210 235	169 175	176 189	– –	235 270	2,5 4
170	251 297	215 236	42,2 65,5	61,1 91,2	30,5 50	3 5	96 104	220 250	178 185	188 199	– –	245 286	2,5 4
180	234 270 315	208 227 250	26 46 69,5	36,9 66,2 96,4	22 35,5 53	1,5 3 5	97 103 110	210 235 265	187 189 196	187 195 210	14 – –	226 262 304	1,5 2,5 4

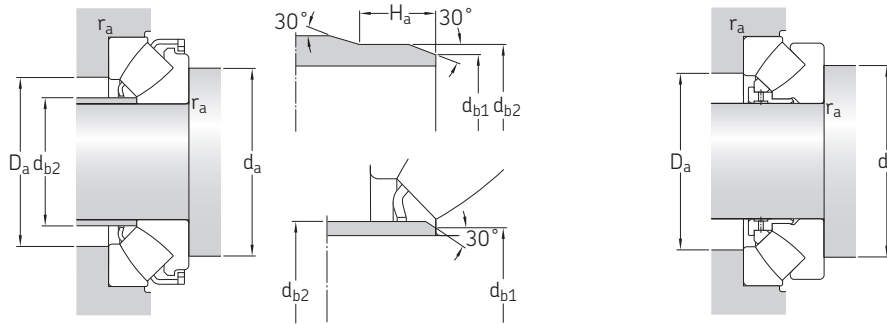
13.1 Spherical roller thrust bearings

d 190 – 380 mm



E design

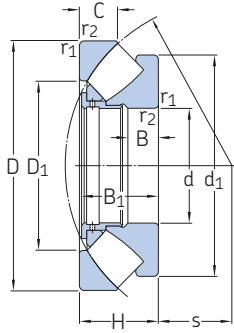
Principal dimensions			Basic load ratings		Fatigue load limit	Minimum load factor	Speed ratings		Mass	Designation
d	D	H	C	C ₀			Reference speed	Limiting speed		
mm			kN		kN	–	r/min	kg	–	
190	320	78	1 630	4 750	490	2,1	1 100	1 900	23,5	▶ 29338 E
	380	115	2 850	8 000	765	6,1	950	1 700	60,5	▶ 29438 E
200	280	48	656	2 650	285	0,67	1 400	2 200	9,3	▶ 29240 E
	340	85	1 860	5 500	550	2,9	1 000	1 700	28,5	▶ 29340 E
	400	122	3 200	9 000	850	7,7	850	1 600	72	▶ 29440 E
220	300	48	690	3 000	310	0,86	1 300	2 200	10	▶ 29244 E
	360	85	2 000	6 300	610	3,8	1 000	1 700	31	▶ 29344 E
	420	122	3 350	9 650	900	8,8	850	1 500	75	▶ 29444 E
240	340	60	799	3 450	335	1,1	1 100	1 800	16,5	▶ 29248
	380	85	2 040	6 550	630	4,1	1 000	1 600	35,5	▶ 29348 E
	440	122	3 400	10 200	930	9,9	850	1 500	80	▶ 29448 E
260	360	60	817	3 650	345	1,3	1 100	1 700	18,5	▶ 29252
	420	95	2 550	8 300	780	6,5	850	1 400	49	▶ 29352 E
	480	132	4 050	12 900	1 080	16	750	1 300	105	▶ 29452 E
280	380	60	863	4 000	375	1,5	1 000	1 700	19,5	▶ 29256
	440	95	2 550	8 650	800	7,1	850	1 400	53	▶ 29356 E
	520	145	4 900	15 300	1 320	22	670	1 200	135	▶ 29456 E
300	420	73	1 070	4 800	465	2,2	900	1 400	30,5	▶ 29260
	480	109	3 100	10 600	930	11	750	1 200	75	▶ 29360 E
	540	145	5 000	16 600	1 340	24	670	1 200	140	▶ 29460 E
320	440	73	1 110	5 100	465	2,5	850	1 400	33	29264
	500	109	3 350	11 200	1 000	12	750	1 200	78	▶ 29364 E
	580	155	5 700	19 000	1 530	32	600	1 100	175	▶ 29464 E
340	460	73	1 130	5 400	480	2,8	850	1 300	33,5	29268
	540	122	2 710	11 000	950	11	600	1 100	105	29368
	620	170	6 700	22 400	1 760	46	560	1 000	220	▶ 29468 E
360	500	85	1 460	6 800	585	4,4	750	1 200	52	29272
	560	122	2 760	11 600	980	13	600	1 100	110	▶ 29372
	640	170	6 200	21 200	1 630	41	560	950	230	▶ 29472 E
380	520	85	1 580	7 650	655	5,6	700	1 100	53	29276
	600	132	3 340	14 000	1 160	19	530	1 000	140	▶ 29376
	670	175	6 800	24 000	1 860	53	530	900	260	▶ 29476 E



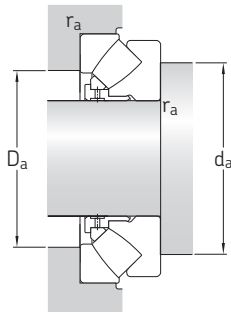
Dimensions								Abutment and fillet dimensions					
d	d ₁ ≈	D ₁ ≈	B	B ₁	C	r _{1,2} min.	s	d _a min.	d _{b1} max.	d _{b2} max.	H _a min.	D _a max.	r _a max.
mm								mm					
190	285	244	49	71,3	36	4	110	250	200	211	–	280	3
	332	265	73	101	55,5	5	117	280	207	223	–	321	4
200	260	233	30	43,4	24	2	108	235	206	207	17	253	2
	304	257	53,5	76,7	40	4	116	265	211	224	–	297	3
	350	278	77	107,1	59,4	5	122	295	217	234	–	337	4
220	280	252	30	43,4	24,5	2	117	255	224,5	227	17	271	2
	326	274	55	77,7	41	4	125	285	229	240	–	316	3
	371	300	77	107,4	58,5	6	132	315	238	254	–	358	5
240	330	283	19	57	30	2,1	130	290	–	–	–	308	2
	345	296	54	77,8	40,5	4	135	305	249	259	–	336	3
	391	322	76	107,1	59	6	142	335	258	276	–	378	5
260	350	302	19	57	30	2,1	139	310	–	–	–	326	2
	382	324	61	86,6	46	5	148	335	273	286	–	370	4
	427	346	86	119	63	6	154	365	278	296	–	412	5
280	370	323	19	57	30,5	2,1	150	325	–	–	–	347	2
	401	343	62	86,7	45,5	5	158	355	293	305	–	390	4
	464	372	95	129,9	70	6	166	395	300	320	–	446	5
300	405	353	21	69	38	3	162	360	–	–	–	380	2,5
	434	372	70	98,9	51	5	168	385	313	329	–	423	4
	485	392	95	130,3	70,5	6	175	415	319	340	–	465	5
320	430	372	21	69	38	3	172	380	–	–	–	400	2,5
	454	391	68	97,8	53	5	180	405	332	347	–	442	4
	520	422	102	139,4	74,5	7,5	191	450	344	367	–	500	6
340	445	395	21	69	37,5	3	183	400	–	–	–	422	2,5
	520	428	40,6	117	59,5	5	192	440	–	–	–	479	4
	557	445	112	151,4	84	7,5	201	475	363	386	–	530	6
360	485	423	25	81	44	4	195	430	–	–	–	453	3
	540	448	40,5	117	59,5	5	202	460	–	–	–	500	4
	580	474	63	164	83,5	7,5	210	495	–	–	–	550	6
380	505	441	27	81	42	4	202	450	–	–	–	473	3
	580	477	45	127	63,5	6	216	495	–	–	–	535	5
	610	494	67	168	87,5	7,5	222	525	–	–	–	580	6

13.1 Spherical roller thrust bearings

d 400 – 750 mm



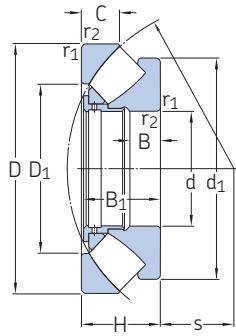
Principal dimensions			Basic load ratings		Fatigue load limit	Minimum load factor	Speed ratings		Mass	Designation
d	D	H	C	C ₀			P _u	A		
mm			kN		kN	–	r/min	kg	–	
400	540	85	1 610	8 000	695	6,1	700	1 100	55,5	29280
	620	132	3 450	14 600	1 200	20	530	950	150	29380
	710	185	7 650	26 500	1 960	62	480	850	310	▶ 29480 EM
420	580	95	1 990	9 800	815	9,1	630	1 000	75,5	29284
	650	140	3 740	16 000	1 290	24	500	900	170	29384
	730	185	7 800	27 500	2 080	69	480	850	325	▶ 29484 EM
440	600	95	2 070	10 400	850	10	630	1 000	78	29288
	680	145	5 200	19 300	1 560	34	530	850	180	29388 EM
	780	206	9 000	32 000	2 320	91	430	750	410	▶ 29488 EM
460	620	95	2 070	10 600	865	11	600	950	81	29292
	710	150	4 310	19 000	1 500	34	450	800	215	29392
	800	206	9 300	33 500	2 450	100	430	750	425	29492 EM
480	650	103	2 350	11 800	950	13	560	900	98	29296
	850	224	9 550	39 000	2 800	140	340	670	550	▶ 29496 EM
500	670	103	2 390	12 500	1 000	15	560	900	100	292/500
	750	150	4 490	20 400	1 560	40	430	800	235	293/500
	870	224	9 370	40 000	2 850	150	340	670	560	▶ 294/500 EM
530	710	109	3 110	15 300	1 220	22	530	850	115	292/530 EM
	800	160	5 870	26 500	2 080	67	400	750	265	293/530 EM
	920	236	10 500	44 000	3 100	180	320	630	650	▶ 294/530 EM
560	750	115	2 990	16 000	1 220	24	480	800	140	292/560
	980	250	12 000	51 000	3 550	250	300	560	810	294/560 EM
600	800	122	3 740	18 600	1 460	33	450	700	170	292/600 EM
	1 030	258	13 100	56 000	4 000	300	280	530	845	294/600 EM
630	850	132	4 770	23 600	1 800	53	400	670	210	292/630 EM
	950	190	8 450	38 000	2 900	140	320	600	485	293/630 EM
	1 090	280	14 400	62 000	4 150	370	260	500	1 040	▶ 294/630 EM
670	1 150	290	15 400	68 000	4 500	440	240	450	1 210	▶ 294/670 EM
710	1 060	212	9 950	45 500	3 400	200	280	500	610	▶ 293/710 EM
	1 220	308	17 600	76 500	5 000	560	220	430	1 500	▶ 294/710 EF
750	1 280	315	18 700	85 000	5 500	690	200	400	1 650	▶ 294/750 EF



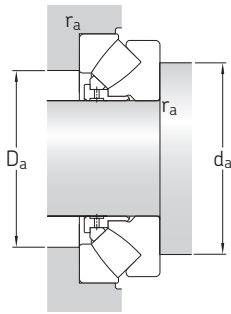
Dimensions								Abutment and fillet dimensions					
d	d ₁ ≈	D ₁ ≈	B	B ₁	C	r _{1,2} min.	s	d _a min.	d _{b1} max.	d _{b2} max.	H _a min.	D _a max.	r _a max.
mm								mm					
400	526	460	27	81	42,2	4	212	470	–	–	–	493	3
	596	494	43	127	64	6	225	510	–	–	–	550	5
	645	525	69	178	89,5	7,5	234	550	–	–	–	615	6
420	564	489	30	91	46	5	225	500	–	–	–	525	4
	626	520	49	135	67,5	6	235	535	–	–	–	580	5
	665	545	70	178	90,5	7,5	244	575	–	–	–	635	6
440	585	508	30	91	46,5	5	235	520	–	–	–	545	4
	626	540	49	140	70,5	6	249	560	–	–	–	605	5
	710	577	77	199	101	9,5	257	605	–	–	–	675	8
460	605	530	30	91	46	5	245	540	–	–	–	565	4
	685	567	50	144	72,5	6	257	585	–	–	–	630	5
	730	596	77	199	101,5	9,5	268	630	–	–	–	695	8
480	635	556	33	99	53,5	5	259	570	–	–	–	595	4
	770	625	88	216	108	9,5	280	660	–	–	–	735	8
500	654	574	33	99	53,5	5	268	585	–	–	–	615	4
	725	611	50	144	74	6	280	630	–	–	–	675	5
	795	648	86	216	110	9,5	290	685	–	–	–	755	8
530	675	608	32	105	56	5	285	620	–	–	–	655	4
	741	641	55	154	81	7,5	295	665	–	–	–	715	6
	840	686	89	228	116	9,5	308	725	–	–	–	800	8
560	732	644	37	111	61	5	302	655	–	–	–	685	4
	890	727	99	241	122	12	328	770	–	–	–	850	10
600	760	688	39	117	60	5	321	700	–	–	–	735	4
	940	769	99	249	128	12	349	815	–	–	–	900	10
630	810	723	50	127	62	6	338	740	–	–	–	780	5
	880	761	68	183	92	9,5	359	795	–	–	–	860	8
	995	815	107	270	137	12	365	860	–	–	–	950	10
670	1 045	864	110	280	141	15	387	905	–	–	–	1 000	12
710	985	855	74	205	103	9,5	404	890	–	–	–	960	8
	1 110	917	117	298	149	15	415	965	–	–	–	1 070	12
750	1 170	964	121	305	153	15	436	1 015	–	–	–	1 120	12

13.1 Spherical roller thrust bearings

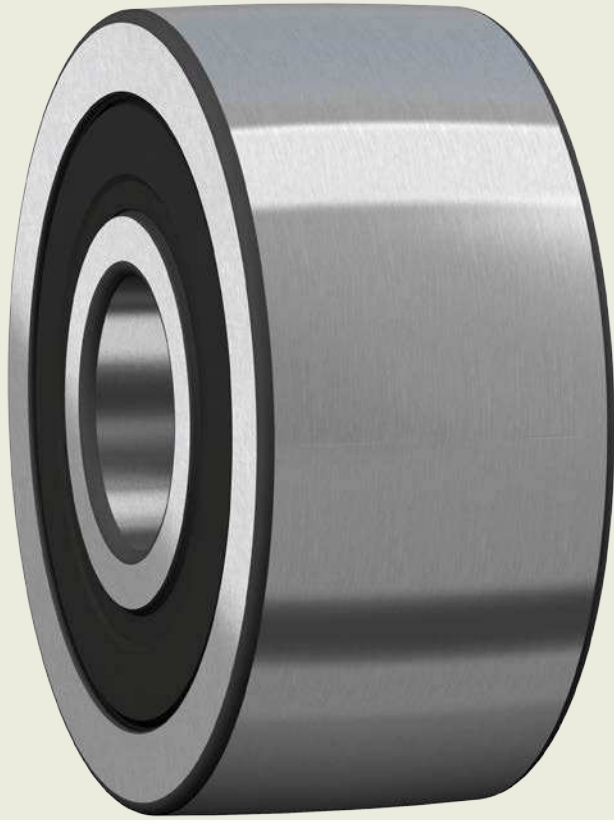
d 800 – 1 060 mm



Principal dimensions			Basic load ratings		Fatigue load limit	Minimum load factor	Speed ratings		Mass	Designation
d	D	H	dynamic	static			Reference speed	Limiting speed		
mm			kN		kN	–	r/min		kg	–
800	1 060	155	6 560	34 500	2 550	110	320	530	380	292/800 EM
	1 180	230	11 300	55 000	3 900	290	240	450	810	293/800 EM
	1 360	335	20 200	93 000	5 850	820	190	360	2 030	▶ 294/800 EF
850	1 440	354	23 900	108 000	7 100	1 100	170	340	2 390	▶ 294/850 EF
900	1 520	372	26 700	122 000	7 200	1 400	160	300	2 650	▶ 294/900 EF
950	1 600	390	28 200	132 000	7 800	1 700	140	280	3 070	294/950 EF
1 000	1 670	402	31 100	140 000	8 650	1 900	130	260	3 390	▶ 294/1000 EF
1 060	1 770	426	33 400	156 000	8 500	2 300	120	240	4 280	294/1060 EF

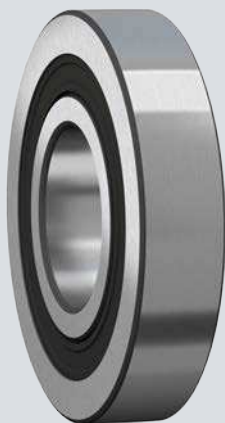


Dimensions								Abutment and fillet dimensions					
d	d_1 ≈	D_1 ≈	B	B_1	C	$r_{1,2}$ min.	s	d_a min.	d_{b1} max.	d_{b2} max.	H_a min.	D_a max.	r_a max.
mm								mm					
800	1 010	911	52	149	77	7,5	434	935	–	–	–	980	6
	1 099	958	78	222	117	9,5	440	985	–	–	–	1 060	8
	1 250	1 034	123	324	165	15	462	1 080	–	–	–	1 185	12
850	1 315	1 077	142	342	172	15	507	1 160	–	–	–	1 270	12
900	1 394	1 137	147	360	186	15	518	1 215	–	–	–	1 320	12
950	1 470	1 209	153	377	191	15	546	1 275	–	–	–	1 400	12
1 000	1 531	1 270	154,9	389	190	15	599	1 350	–	–	–	1 490	12
1 060	1 615	1 349	192	412	207	15	610	1 410	–	–	–	1 555	12



14

Cam rollers



14 Cam rollers



Designs and variants	933
Single row cam rollers	933
Double row cam rollers	933
Cages	934
Bearing data	934
(Dimension standards, profile of the outer ring running surface, tolerances, internal clearance, defect frequencies)	
Loads	935
(Dynamic loads, static loads, axial loads, minimum load, equivalent dynamic bearing load, equivalent static bearing load)	
Temperature limits	936
Speed limits	936
Design considerations	936
Pins	936
Support surfaces	936
Guide flanges	936
Designation system	937
Product tables	
14.1 Single row cam rollers	938
14.2 Double row cam rollers	940

More information

General bearing knowledge 17

Bearing selection process 59

Lubrication 109

Bearing interfaces 139

Sealing, mounting and dismounting 193

SKF cam rollers (yoke-type track rollers based on ball bearings) are designed to run on all types of tracks and to be used in cam drives, conveyor systems, etc.

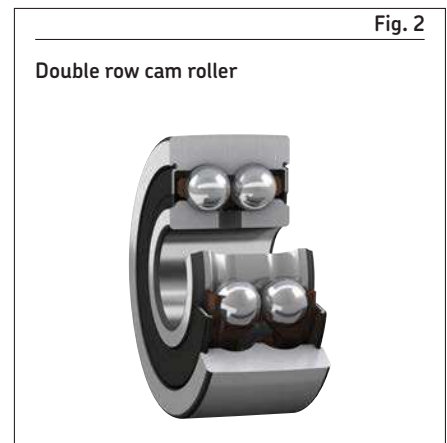
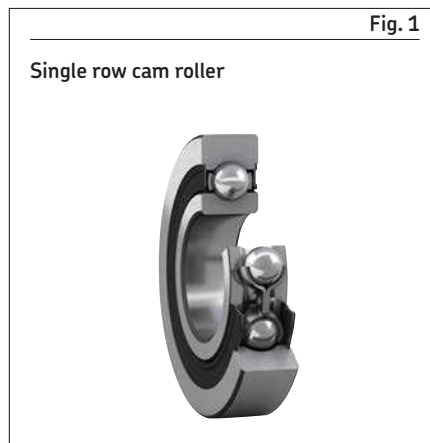
The outer ring running surface is crowned as standard. Double row cam rollers are also available with a cylindrical (flat) outer ring running surface.

SKF supplies cam rollers greased, sealed and ready-to-mount. They are available in two main designs and also as variants of these:

- single row cam rollers based on deep groove ball bearings in the 62 series (fig. 1)
- double row cam rollers based on double row angular contact ball bearings in the 32 dimension series (fig. 2)

Cam roller features

- **Accommodate high radial loads**
The thick-walled outer ring enables high radial loads, while reducing distortion and bending stresses.
- **Accommodate tilting moments**
Double row cam rollers accommodate higher tilting moments than single row cam rollers.
- **Long service life**
The crowned outer ring running surface is beneficial for applications where outer ring tilting relative to the track may occur or where edge stresses need to be minimized.
- **Relatively high speed capability**





Designs and variants

Single row cam rollers

- are based on deep groove ball bearings in the 62 series (fig. 1)
- have a thick-walled outer ring with its running surface crowned
- are capped with a sheet steel reinforced NBR contact seal on both sides
- are greased for the life of the bearing and cannot be relubricated (table 1)

When capped bearings must operate under certain conditions, such as very high speeds or high temperatures, some grease may leak. For bearing arrangements where this would be detrimental, appropriate actions should be taken.

Double row cam rollers

- are based on double row angular contact ball bearings in the 32 dimension series (fig. 2)
- have a thick-walled outer ring with its running surface available in two designs:
 - crowned as standard (series designation 3058.. C)
 - cylindrical (flat) (series designation 3057.. C)
- have a 30° contact angle, enabling, together with the two ball sets, tilting moments to be accommodated
- are supplied capped in two variants:
 - with a sheet steel shield on both sides that extends into a recess on the inner ring (designation suffix -2Z)
 - with an NBR contact seal on both sides (designation suffix -2RS1)

These cam rollers are not listed in this catalogue, but can be found online at skf.com/go/17000-14-2.
- are greased for the life of the bearing under normal operating conditions (table 1)

- should be relubricated, if:
 - subjected to moisture or solid contaminants
 - they run for long periods at temperatures above 70 °C (160 °F)
- have a lubrication hole in the inner ring
 - Where suitable ducts are provided in the pin, the bearings are easy to relubricate.
 - The grease should be applied slowly to avoid damaging the shields or seals.

When capped bearings must operate under certain conditions, such as very high speeds or high temperatures, grease may appear between the inner ring and capping device. For bearing arrangements where this would be detrimental, appropriate actions should be taken.

Table 1

Technical specifications of SKF greases for track rollers

Bearing type	Specifications for the initial grease fill							Thickener	Base oil type	NLGI grade	Base oil viscosity [mm ² /s]		Grease for relubrication
	Temperature range ¹⁾										at 40 °C (105 °F)	at 100 °C (210 °F)	
	-50	0	50	100	150	200	250	°C					
Single row cam roller (D ≤ 62 mm)								Lithium soap	Mineral	2	70	7,3	–
Single row cam roller (D > 62 mm), Double row cam roller								Lithium soap	Mineral	3	100	10	LGMT 3 ²⁾
Support roller, Cam follower								Lithium complex soap	Mineral	2	160	15,5	LGWA 2
	-60	30	120	210	300	390	480	°F					

¹⁾ Refer to the SKF traffic light concept (page 117).
²⁾ Single row cam rollers cannot be relubricated.

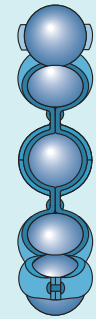
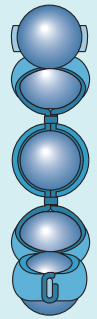
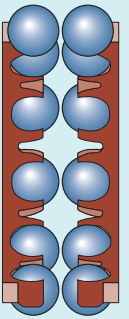
Cages

SKF cam rollers are fitted with one of the cages shown in [table 2](#). Double row cam rollers are equipped with two cages.

When used at high temperatures, some lubricants can have a detrimental effect on polyamide cages. For additional information about the suitability of cages, refer to *Cages*, [page 187](#).

Table 2

Cages for cam rollers

	Single row cam rollers		Double row cam rollers
			
Cage type	Riveted, ball centred	Ribbon-type, ball centred	Snap-type, ball centred
Material	Stamped steel	Stamped steel	PA66, glass fibre reinforced
Suffix	-	-	-

Bearing data

	Single row cam rollers	Double row cam rollers
Dimension standards	ISO 15, dimension series 02, except for the outside diameter	ISO 15, dimension series 32, except for the outside diameter
Profile of the outer ring running surface	Radius = 400 mm	<ul style="list-style-type: none"> • 3058.. C design Radius = 400 mm • 3057.. C design Cylindrical (flat)
Tolerances For additional information → page 35	Normal, except: <ul style="list-style-type: none"> • diameter of the crowned running surface: twice the Normal tolerance Values for Normal tolerance class: ISO 492 (table 2, page 38)	
Internal clearance For additional information → page 182	C3 Values: ISO 5753-1 (table 6, page 252)	Normal Values 32 A series: (table 8, page 396)
Defect frequencies	→ skf.com/bearingcalculator	



Loads

<p>Dynamic loads</p>	<p>As track rollers are not supported in a housing, the outer rings deform, leading to an altered load distribution and bending stresses in the outer ring.</p> <p>The basic load ratings listed in the product tables, page 938, take into account the altered load distribution, while the maximum radial loads $F_{r\max}$ (product tables) are based on the bending stresses.</p>	<p>Symbols</p> <p>C_0 basic static load rating [kN] (product tables, page 938)</p> <p>F_r radial load [kN]</p> <p>$F_{r\max}$ maximum permissible dynamic radial load [kN] (product tables)</p> <p>$F_{0r\max}$ maximum permissible static radial load [kN] (product tables)</p> <p>F_{rm} minimum radial load [kN]</p> <p>P equivalent dynamic bearing load [kN]</p> <p>P_0 equivalent static bearing load [kN]</p>
<p>Static loads</p>	<p>Permissible static load is the lower value of $F_{0r\max}$ or C_0 (product tables).</p>	
<p>Axial loads</p>	<p>Cam rollers are intended for predominantly radial loads. However, axial loads can occur because of skew or tilting or when the outer ring runs against flanges for brief periods.</p> <p>Axial loads acting continuously on the outer ring may reduce the cam roller service life. To evaluate these influences, contact the SKF application engineering service.</p>	
<p>Minimum load</p> <p>For additional information page 106</p>	<p>$F_{rm} = 0,0167 C_0$</p>	
<p>Equivalent dynamic bearing load</p> <p>For additional information → page 91</p>	<p>$P = F_r$</p>	
<p>Equivalent static bearing load</p> <p>For additional information → page 105</p>	<p>$P_0 = F_r$</p>	



Temperature limits

The permissible operating temperature for cam rollers can be limited by:

- the dimensional stability of the bearing rings and balls
- the cage
- the seals
- the lubricant

Where temperatures outside the permissible range are expected, contact SKF.

Bearing rings and balls

SKF cam rollers are heat stabilized up to at least:

- 120 °C (250 °F) for single row cam rollers
- 150 °C (300 °F) for double row cam rollers

Cages

Steel cages can be used at the same operating temperatures as the bearing rings and balls. For temperature limits of PA66 cages, refer to *Polymer cages*, [page 188](#).

Seals

The permissible operating temperature for NBR seals is -40 to +100 °C (-40 to +210 °F). Temperatures up to 120 °C (250 °F) can be tolerated for brief periods.

Typically, temperature peaks are at the seal lip.

Lubricants

Temperature limits for greases used in SKF cam rollers are provided in [table 1](#), [page 933](#). For temperature limits of other SKF greases, refer to *Selecting a suitable SKF grease*, [page 116](#).

When using lubricants not supplied by SKF, temperature limits should be evaluated according to the SKF traffic light concept ([page 117](#)).

Speed limits

The limiting speed listed in the [product tables](#) is a mechanical limit that should not be exceeded unless the bearing design and the application are adapted for higher speeds.

For additional information, refer to *Operating temperature and speed*, [page 130](#).

Design considerations

Pins

Pins or shafts should be machined to tolerance class g6Ⓜ:

- for normal operating conditions, such as stationary inner ring load
- where easy displacement of the inner ring is required

Support surfaces

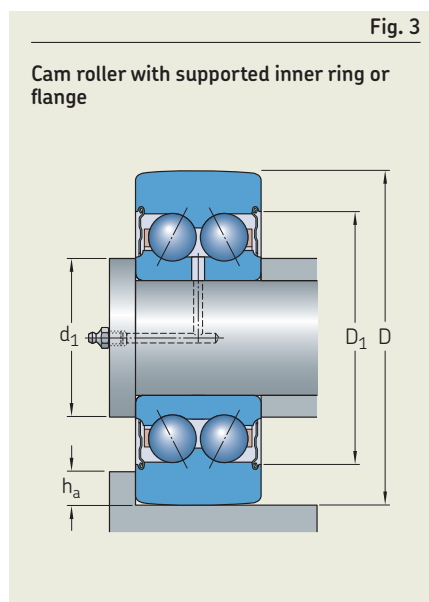
Continuously axial loaded cam rollers should be supported over the entire inner ring side face ([fig. 3](#)) and the support surface should be dimensioned according to diameter d_1 ([product tables](#), [page 938](#)).

Guide flanges

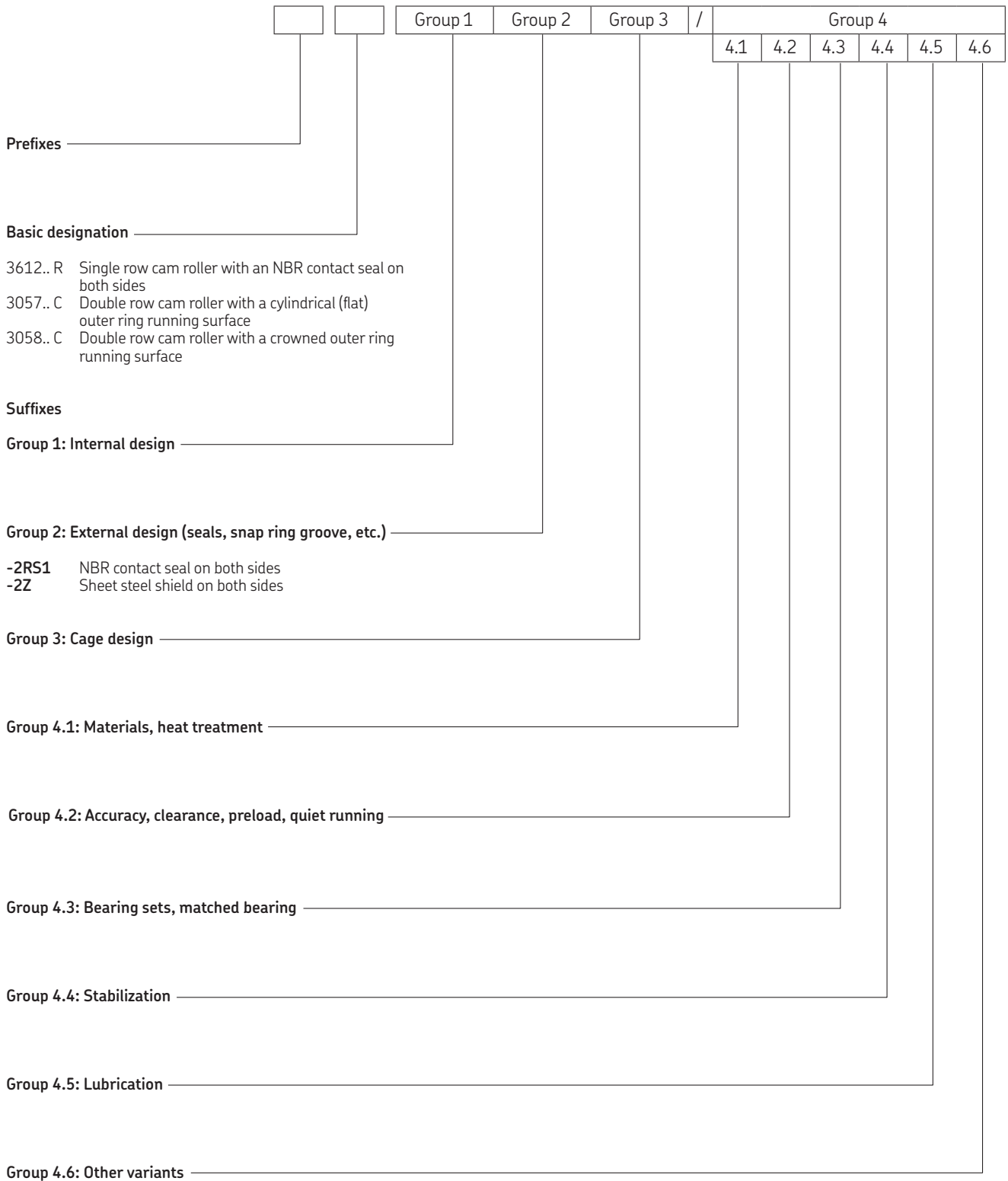
For rails or cams with guide flanges, the recommended flange height h_a ([fig. 3](#)) should be:

$$h_a \leq 0,5 (D - D_1)$$

The values for the outer ring diameters D and D_1 are listed in the product tables.



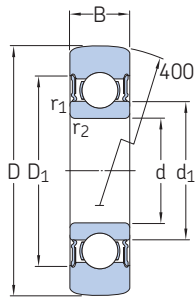
Designation system



14.1 Single row cam rollers

D 32 – 80 mm

14.1



Principal dimensions			Basic load ratings		Fatigue load limit	Maximum radial loads		Limiting speed	Mass	Designation
D	d	B	C	C ₀	P _u	F _r max.	F _{0r} max.			
mm			kN		kN	kN		r/min	kg	–
32	10	9	4,68	2,04	0,085	3,45	5	12 000	0,04	▶ 361200 R
35	12	10	6,24	2,6	0,11	3,35	4,75	11 000	0,051	▶ 361201 R
40	15	11	7,02	3,2	0,137	5,1	7,35	9 500	0,072	▶ 361202 R
47	17	12	8,84	4,25	0,18	8,15	11,6	8 500	0,11	▶ 361203 R
52	20	14	11,4	5,5	0,232	7,5	10,6	7 000	0,15	▶ 361204 R
62	25	15	13	6,8	0,29	12,9	18,6	6 300	0,24	▶ 361205 R
72	30	16	17,4	9,5	0,4	14,6	20,8	5 300	0,34	▶ 361206 R
80	35	17	22,1	11,8	0,5	12,9	18,3	4 500	0,42	▶ 361207 R

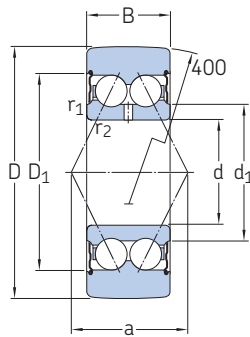


Dimensions				Calculation factor
d	d_1 ≈	D_1 ≈	$r_{1,2}$ min.	f_0
mm				–
32	17	24,8	0,6	13
35	18,4	27,4	0,6	12
40	21,7	30,4	0,6	13
47	24,5	35	0,6	13
52	28,8	40,6	1	13
62	34,3	46,3	1	14
72	40,3	54,1	1	14
80	46,9	62,7	1,1	14

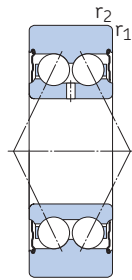
14.2 Double row cam rollers

D 32 – 80 mm

14.2



3058.. C-2Z



3057.. C-2Z

Principal dimensions			Basic load ratings		Fatigue load limit	Maximum radial loads		Limiting speed	Mass	Designations	
D	d	B	C	C ₀		P _u	dynamic F _r max.			static F _{0r} max.	Cam roller with crowned running surface
mm			kN		kN	kN		r/min	kg	–	
32	10	14	6,76	3,6	0,153	4,4	6,3	11 000	0,062	▶ 305800 C-2Z	
35	12	15,9	9,04	4,555	0,193	3,8	5,4	9 500	0,078	▶ 305801 C-2Z	▶ 305701 C-2Z
40	15	15,9	10,1	5,5	0,263	5,85	8,5	9 000	0,1	▶ 305802 C-2Z	▶ 305702 C-2Z
47	17	17,5	13	7,35	0,315	9,3	13,4	8 000	0,16	▶ 305803 C-2Z	▶ 305703 C-2Z
52	20	20,6	16,5	9,5	0,4	8,3	12	7 000	0,22	▶ 305804 C-2Z	▶ 305704 C-2Z
62	25	20,6	18,6	11,8	0,5	15,3	21,6	6 000	0,32	▶ 305805 C-2Z	▶ 305705 C-2Z
72	30	23,8	25,1	16,3	0,695	17	24	5 000	0,49	▶ 305806 C-2Z	▶ 305706 C-2Z
80	35	27	31,9	20,4	0,865	15,6	22,4	4 300	0,65	▶ 305807 C-2Z	▶ 305707 C-2Z

▶ Popular item



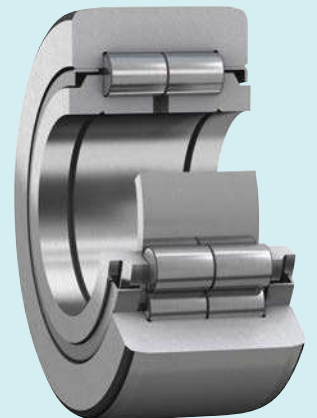
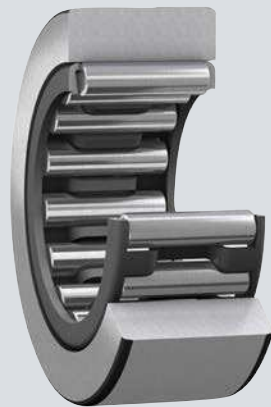
Dimensions

d	d ₁ ≈	D ₁ ≈	r _{1,2} min.	a
mm				
32	15,8	25	0,6	16,5
35	17,7	27,7	0,6	19
40	20,2	30,7	0,6	21
47	23,3	35	0,6	23
52	27,7	40,9	1	28
62	32,7	45,9	1	30
72	38,7	55,2	1	36
80	45,4	63,9	1,1	42



15

Support rollers



15 Support rollers



Designs and variants	945
Support rollers without flange rings	945
(R)STO design support rollers	945
(R)NA 22...2RS design support rollers	945
Support rollers with flange rings	946
NATR and NATV design support rollers	946
NUTR .. A design support rollers	946
PWTR ...2RS design support rollers	946
NNTR ...2ZL design support rollers	947
Cages	947
Lubrication	947
Relubrication requirements	947
Relubrication features	947
Bearing data	948
(Dimension standards, profile of the outer ring running surface, tolerances, internal clearance, defect frequencies)	
Loads	949
(Dynamic loads, static loads, axial loads, minimum load, equivalent dynamic bearing load, equivalent static bearing load)	
Temperature limits	950
Speed limits	950
Design considerations	950
Pins	950
Support surfaces	951
Axial gap	951
Mounting	951
Designation system	952
Product tables	
15.1 Support rollers without flange rings, with an inner ring	954
15.2 Support rollers with flange rings, with an inner ring	956

15 Support rollers

More information

General bearing knowledge	17
Bearing selection process	59
Lubrication	109
Bearing interfaces	139
Sealing, mounting and dismounting	193

SKF support rollers (yoke-type track rollers based on roller bearings) are designed to run on all types of tracks and to be used in cam drives, conveyor systems, etc.

SKF support rollers are based on needle or cylindrical roller bearings.

SKF supplies them ready-to-mount. To meet the requirements of different applications, they are available in several designs and variants (**fig. 1**):

- with or without a cage
- with or without flange rings
- with or without an inner ring
- with or without seals (sealed or open)
- with the outer ring running surface profile:
 - crowned as standard
 - cylindrical (flat)

Support roller features

• Accommodate high radial loads

The thick-walled outer ring enables high radial loads, while reducing distortion and bending stresses.

• Long service life

The crowned outer ring running surface is beneficial for applications where outer ring tilting relative to the track may occur or where edge stresses need to be minimized.

Fig. 1

Support rollers



- based on needle roller bearings
- with a cage
- with flange rings
- with an inner ring



- based on cylindrical roller bearings
- without a cage
- with flange rings
- with an inner ring



- based on needle roller bearings
- with a cage
- without flange rings
- without an inner ring

Designs and variants

SKF support rollers are available without or with flange rings (fig. 2). They have a thick-walled outer ring with its running surface crowned as standard. However, support rollers with a cylindrical (flat) running surface are also available (designation suffix X).

Support rollers without flange rings require adjacent components to guide the outer ring and cage axially.

Support rollers with flange rings do not need adjacent components to guide the outer ring and cage axially (fig. 3). Axial loads, which are induced when shafts are not horizontal or aligned properly, are accommodated by the flange rings.

Support rollers without flange rings

- require adjacent components to guide the outer ring and cage axially
- are based on needle roller bearings
- are available:
 - with an inner ring, which is slightly wider than the outer ring to avoid axial clamping of the outer ring
 - without an inner ring (designation prefix R), intended for arrangements where the pin or shaft is hardened and ground

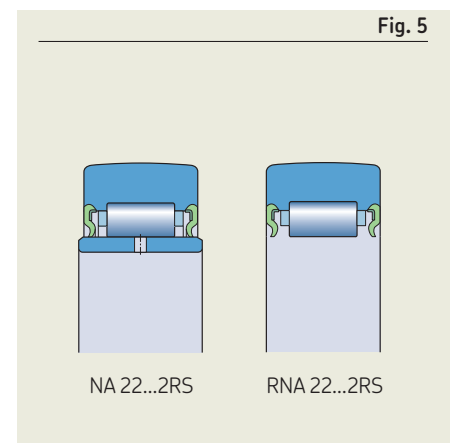
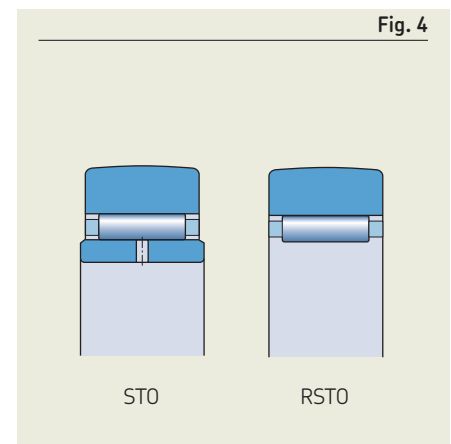
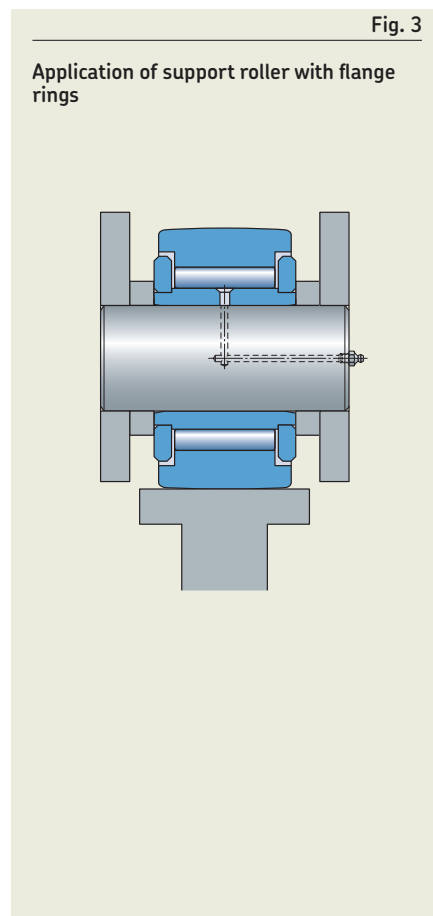
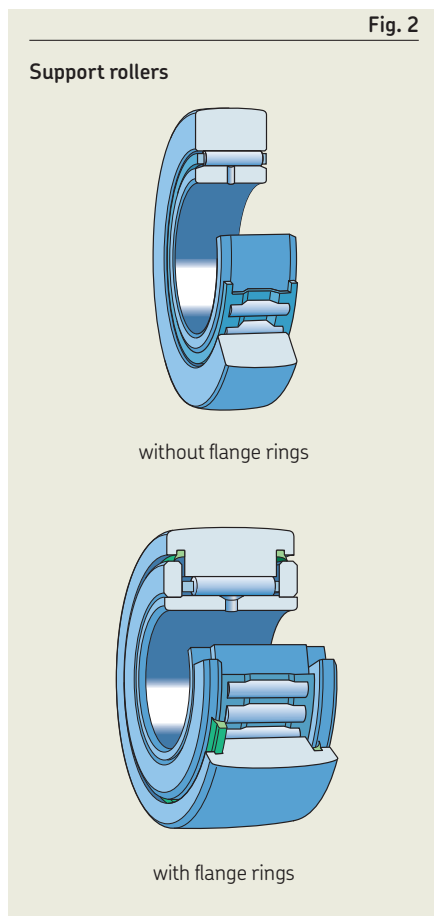
These support rollers are not listed in this catalogue, but can be found online at skf.com/go/17000-15-3.

(R)STO design support rollers

- are available (fig. 4):
 - with an inner ring that can be mounted separately from the outer ring and roller and cage assembly, which must always be kept together as supplied
 - without an inner ring (prefix R)
 - only open (without seals)

(R)NA 22...2RS design support rollers

- are available (fig. 5):
 - with an inner ring that can be mounted separately from the outer ring and roller and cage assembly
 - without an inner ring (prefix R)
 - greased and capped with a sheet steel reinforced NBR contact seal on both sides
- have the needle roller and cage assembly axially guided between two integral flanges in the outer ring to form a non-separable unit

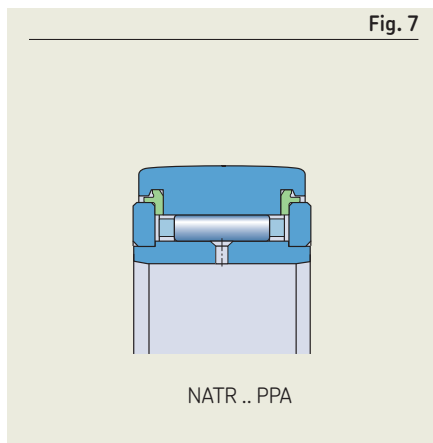
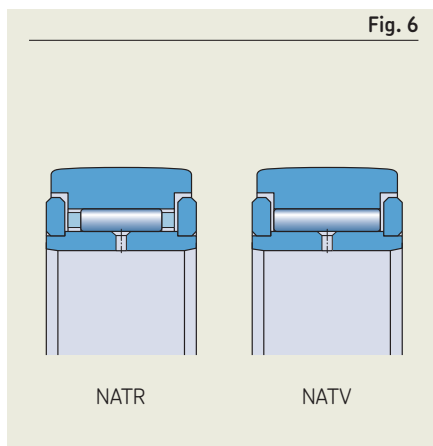


Support rollers with flange rings

- do not need adjacent components to guide the outer ring and cage axially (fig. 3, page 945)
- are non-separable units
- have different flange designs:
 - pressed-on flange rings (NATR and NATV designs)
 - loose flange rings (NUTR, PWTR and NNTR designs)
- accommodate axial loads that can occur because of skew or tilting

NATR and NATV design support rollers

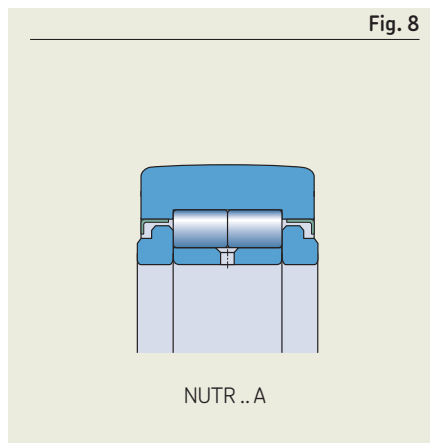
- are based on (fig. 6):
 - a needle roller and cage assembly (NATR design)
 - a full complement of needle rollers (NATV design)
- have the outer ring axially guided by pressed-on flange rings, forming a gap-type seal



- are also available with an axial sliding ring on both sides (designation suffixes PPA, fig. 7, and PPXA):
 - made of PA66
 - forming narrow labyrinth seals with the outer ring in a radial direction, to protect against coarse contaminants
 - serving as contact seals in an axial direction to retain grease reliably in the bearing
 - improving lubrication conditions in the bearing, keeping friction and frictional heat low, and extending grease life

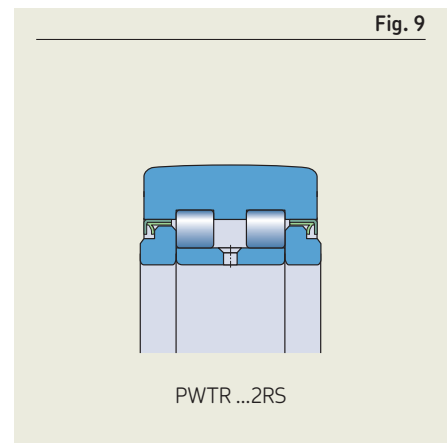
NUTR .. A design support rollers

- are based on double row full complement cylindrical roller bearings without an integral flange between the two roller sets (fig. 8)
- have an outer ring with two integral flanges, which guide the roller sets axially
- have an inner ring with two loose flange rings, which guide the outer ring axially via the roller sets
- have a sheet metal angle ring pressed into the outer ring shoulder on both sides:
 - forming an effective labyrinth seal
 - extending over the flange rings, making the bearing non-separable
- accommodate relatively heavy axial loads that can occur because of skew or tilting
- can be supplied with a reinforced (thicker) outer ring to accommodate heavy peak loads (e.g. NUTR 50 A → NUTR 50110 A)



PWTR ...2RS design support rollers

- are based on double row full complement cylindrical roller bearings (fig. 9)
- have an outer ring with three integral flanges, which guide the roller sets axially
- have an inner ring with two loose flange rings, which guide the outer ring axially via the roller sets
- have a relatively large grease quantity between the two roller sets
- are fitted on both sides with an NBR contact seal, being integral with a sheet metal angle ring that is pressed into the outer ring shoulder:
 - to press against the flange rings
 - extending over the flange rings, making the bearing non-separable
- accommodate relatively heavy axial loads that can occur because of skew or tilting
- can be supplied with a reinforced (thicker) outer ring to accommodate heavy peak loads (e.g. PWTR 50.2RS → PWTR 50110.2RS)



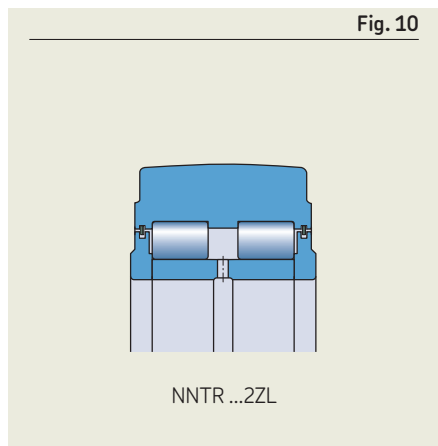
NNTR ...2ZL design support rollers

- are based on double row full complement cylindrical roller bearings (fig. 10)
- have an outer ring with three integral flanges, which guide the roller sets axially
- have an inner ring with two loose flange rings, which guide the outer ring axially via the roller sets
- have a relatively large grease quantity between the two roller sets
- are fitted with a lamellar seal on both sides, inserted into recesses in the shoulders of the flange rings and the outer ring, making the bearing non-separable
- accommodate very heavy radial loads and relatively heavy axial loads that can occur because of skew or tilting

Cages

SKF support rollers, if not a full complement of rollers, are fitted with one of the cages shown in table 1. The standard cage is not identified in the bearing designation.

When used at high temperatures, some lubricants can have a detrimental effect on polyamide cages. For additional information about the suitability of cages, refer to *Cages*, page 187.



Lubrication

SKF support rollers are supplied greased (table 1, page 933).

(R)STO design support rollers can be oil or grease lubricated. In applications where oil is used, SKF recommends thoroughly washing the initial grease fill from the bearing prior to operation.

For general information, refer to *Lubrication*, page 109.

Relubrication requirements

Support rollers:

- should be relubricated regularly to achieve their full service life, even if the initial grease fill still has its full lubricating properties
- used in applications where there are light loads, relatively low speeds and clean surroundings can operate for long periods before relubrication is required

- that operate under contaminated and damp conditions at high speeds or at temperatures > 70 °C (160 °F) require more frequent relubrication
- without a cage (full complement of rollers) require more frequent relubrication

Relubrication features

The inner rings of SKF support rollers have one lubrication hole, except:

- NNTR designs with $d \leq 90$ mm → three lubrication holes
- NNTR designs with $d \geq 100$ mm → six lubrication holes

If suitable ducts are provided in the pin, the bearings are easy to relubricate.

Table 1

Cages for support rollers

Cage type	Window-type, centring depends on size and design	Window-type, outer raceway centred
Material	Sheet steel	PA66, glass fibre reinforced
Suffix	-	TN





Bearing data

Dimension standards	<ul style="list-style-type: none"> • (R)NA 22 designs ISO 15, dimension series 22, except for the outer ring width • NATR, NATV, NUTR .. A, PWTR designs ISO 7063 and ANSI/ABMA Standard 18.1 (where standardized) • (R)STO designs Not standardized
Profile of the outer ring running surface	<ul style="list-style-type: none"> • (R)STO, (R)NA 22, NATR, NATV designs Radius = 500 mm • NNTR design D ≤ 260 mm → Radius = 10 000 mm D ≥ 290 mm → Radius = 15 000 mm • NATR .. PPA, NATV .. PPA, NUTR .. A, PWTR designs Improved crowned profile for better load distribution, higher stiffness and reduced wear
Tolerances For additional information → page 35	Normal, except: <ul style="list-style-type: none"> • diameter of the crowned running surface: <ul style="list-style-type: none"> – NNTR design → h10 – other designs → 0/–0,05 mm • width B: <ul style="list-style-type: none"> – NNTR design → 0/–0,5 mm – NATR, NATV, NUTR .. A, PWTR designs → h12 • inside diameter F_w: <ul style="list-style-type: none"> – RSTO, RNA 22 designs → F6 Values for Normal tolerance class: ISO 492 (table 2, page 38) Values for ISO tolerance classes: h10, h12 and F6 (table 2, page 950)
Internal clearance For additional information → page 182	<ul style="list-style-type: none"> • STO and NA 22 designs Normal • Other designs Between C2 and Normal Values: ISO 5753-1 (table 11, page 603) Values are valid for unmounted bearings under zero measuring load.
Defect frequencies	→ skf.com/bearingcalculator

Loads

<p>Dynamic loads</p>	<p>As track rollers are not supported in a housing, the outer rings deform, leading to an altered load distribution and bending stresses in the outer ring.</p> <p>The basic load ratings listed in the product tables, page 954 , take into account the altered load distribution, while the maximum radial loads $F_{r\max}$ (product tables) are based on the bending stresses.</p>	<p>Symbols</p> <p>C_0 basic static load rating [kN] (product tables, page 954)</p> <p>F_r radial load [kN]</p> <p>$F_{r\max}$ maximum permissible dynamic radial load [kN] (product tables)</p> <p>$F_{0r\max}$ maximum permissible static radial load [kN] (product tables)</p> <p>F_{rm} minimum radial load [kN]</p> <p>P equivalent dynamic bearing load [kN]</p> <p>P_0 equivalent static bearing load [kN]</p>
<p>Static loads</p>	<p>Permissible static load is the lower value of $F_{0r\max}$ or C_0 (product tables).</p> <p>Where requirements for smooth running are below normal, the static load may exceed C_0, but should never exceed the maximum permissible static radial load $F_{0r\max}$.</p>	
<p>Axial loads</p>	<p>Support rollers are intended for radial loads. However, support rollers with flange rings can generally accommodate axial loads that can occur because of skew or tilting. The magnitude of permissible load depends on the internal design.</p>	
<p>Minimum load</p> <p>For additional information → page 106</p>	<p>$F_{rm} = 0,0167 C_0$</p>	
<p>Equivalent dynamic bearing load</p> <p>For additional information → page 91</p>	<p>$P = F_r$</p>	
<p>Equivalent static bearing load</p> <p>For additional information → page 105</p>	<p>$P_0 = F_r$</p>	

Temperature limits

The permissible operating temperature for support rollers can be limited by:

- the dimensional stability of the bearing rings and rollers
- the cage
- the seals
- the lubricant

Where temperatures outside the permissible range are expected, contact SKF.

Bearing rings and rollers

SKF support rollers are heat stabilized up to at least 140 °C (280 °F).

Cages

Steel cages can be used at the same operating temperatures as the bearing rings and rollers. For temperature limits of PA66 cages, refer to *Polymer cages*, page 188.

Seals

The permissible operating temperature for seals depends on the seal material:

- NBR: -40 to +100 °C (-40 to +210 °F)
Temperatures up to 120 °C (250 °F) can be tolerated for brief periods.
- PA66 sliding rings: -30 to +100 °C (-20 to +210 °F)

Typically, temperature peaks are at the seal lip.

Lubricants

Temperature limits for greases used in SKF support rollers are provided in [table 1, page 947](#). For temperature limits of other SKF greases, refer to *Selecting a suitable SKF grease*, page 116.

When using lubricants not supplied by SKF, temperature limits should be evaluated according to the SKF traffic light concept ([page 117](#)).

Speed limits

The limiting speed listed in the [product tables](#) is a mechanical limit that should not be exceeded unless the bearing design and the application are adapted for higher speeds.

For additional information, refer to *Operating temperature and speed*, page 130.

Design considerations

Pins

For general information, refer to *Bearing interfaces*, page 139.

For support rollers with an inner ring, the pin/shaft should be machined to tolerance class g6[Ⓔ] under the following conditions:

- stationary inner ring load
- where easy displacement of the inner ring is required

Table 2

ISO tolerance classes

Nominal dimension		h7 [Ⓔ] Deviations		h9 [Ⓔ] Deviations		h10 [Ⓔ] Deviations		h12 [Ⓔ] Deviations		F6 [Ⓔ] Deviations	
>	≤	U	L	U	L	U	L	U	L	U	L
mm		μm		μm		μm		μm		μm	
3	6	0	-12	-	-	-	-	-	-	-	-
6	10	0	-15	0	-36	-	-	-	-	+22	+13
10	18	0	-18	0	-43	-	-	0	-180	+27	+16
18	30	0	-21	0	-52	-	-	0	-210	+33	+20
30	50	-	-	0	-62	-	-	0	-250	+41	+25
50	80	-	-	-	-	-	-	-	-	+49	+30
120	180	-	-	-	-	0	-160	-	-	-	-
180	250	-	-	-	-	0	-185	-	-	-	-
250	315	-	-	-	-	0	-210	-	-	-	-



To exploit the full load carrying capacity of support rollers without an inner ring, the pin/shaft should:

- be machined to tolerance class k5[Ⓔ]
- be machined to a surface finish similar to a bearing raceway
- have the same hardness as a bearing raceway

For additional information about raceways on shafts, refer to *Raceways on shafts and in housings*, [page 179](#).

Support surfaces

For support rollers without flange rings, the outer ring support surfaces:

- guide the outer ring and cage during operation
- must be fine turned
- must be free of burrs and clean
- should extend to at least half the outer ring side face ([fig. 11](#)), if unhardened – hardened surfaces may be smaller

Heavily loaded support rollers with flange rings should be axially supported:

- over the entire flange ring side faces ([fig. 12](#))
- according to diameter d_1 ([product table](#), [page 956](#))

Axial gap

The following support rollers must be located without any axial gap:

- support rollers without flange rings, with an inner ring ([fig. 11](#))
- support rollers with flange rings ([fig. 12](#))

Support rollers without an inner ring must have an axial gap $\geq 0,2$ mm between the outer ring and the support surfaces ([fig. 13](#)).

Mounting

SKF recommends positioning the lubrication hole in the unloaded zone of the inner ring. Positioning is not needed for PWTR and NNTR design support rollers, which have the lubrication holes in the empty space between the two roller sets.

Where mounting the outer ring assembly and inner ring separately, care must be taken not to damage the seal lips.

Fig. 11

Support roller without flange rings – guiding surface design

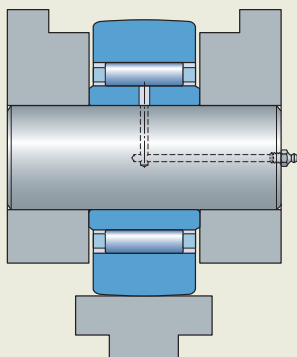


Fig. 12

Support roller with flange rings – support surface design

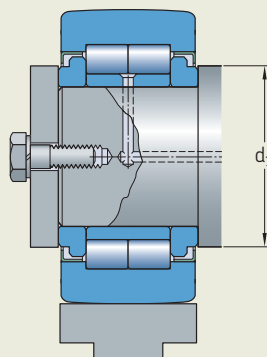
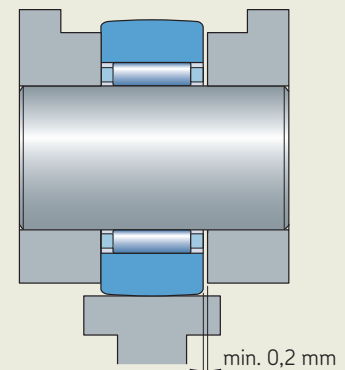


Fig. 13

Support roller without an inner ring – axial gap



Designation system



Prefixes

R Support roller without an inner ring

Basic designation

- NA 22** Support roller without a flange ring, fitted with a needle roller and cage assembly
- STO** Support roller without a flange ring, fitted with a needle roller and cage assembly
- NATR** Support roller with two pressed-on flange rings, fitted with a needle roller and cage assembly
- NATV** Support roller with two pressed-on flange rings, fitted with a full complement of needle rollers
- NUTR** Support roller based on a double row full complement cylindrical roller bearing with two integral outer ring flanges and a loose flange ring on both sides of the inner ring
- NNTR** Support roller based on a double row full complement cylindrical roller bearing with three integral outer ring flanges and a loose flange ring on both sides of the inner ring
- PWTR** Support roller based on a double row full complement cylindrical roller bearing with three integral outer ring flanges and a loose flange ring on both sides of the inner ring

Suffixes

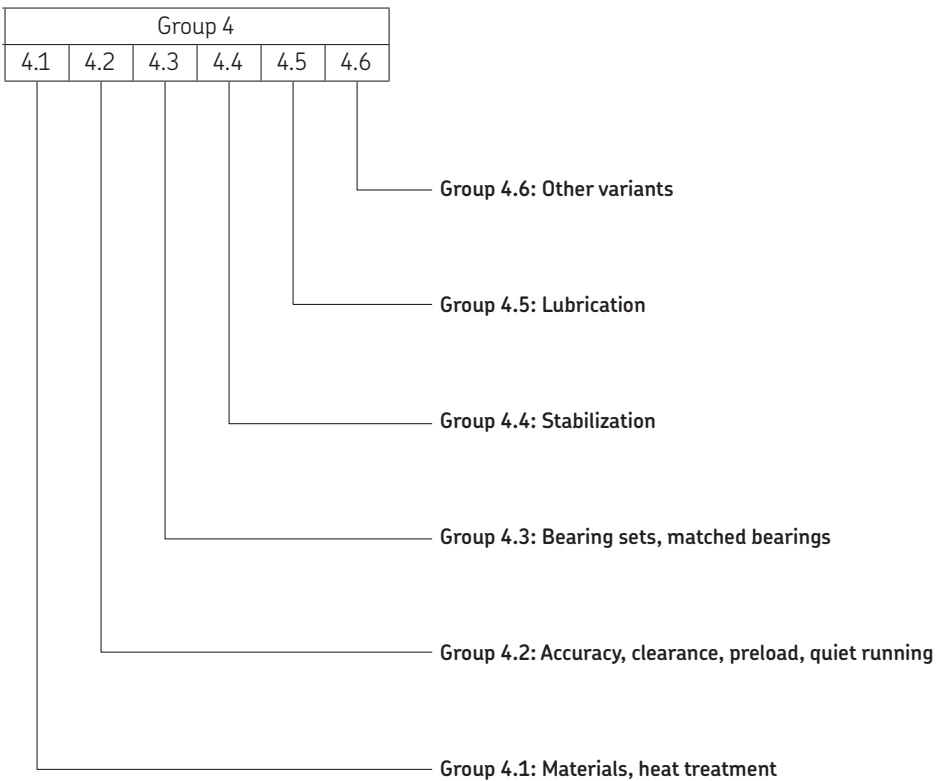
Group 1: Internal design

Group 2: External design (seals, snap ring groove, etc.)

- .2RS** NBR contact seal on both sides
- .2ZL** Lamellar seal on both sides
- A** Improved crowned profile of the outer ring running surface (NUTR design)
- PPA** PA66 axial sliding and sealing ring on both sides. Improved crowned profile of the outer ring running surface
- PPXA** PA66 axial sliding and sealing ring on both sides. Cylindrical (flat) profile of the outer ring running surface
- X** Cylindrical (flat) profile of the outer ring running surface

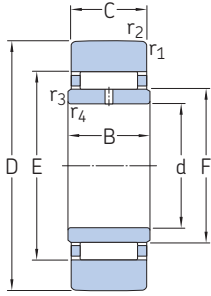
Group 3: Cage design

TN Glass fibre reinforced PA66 cage

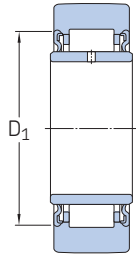


15.1 Support rollers without flange rings, with an inner ring

D 19 – 90 mm



STO



NA 22...2RS

Principal dimensions				Basic load ratings		Fatigue load limit	Maximum radial loads		Limiting speed	Mass	Designation
D	d	C	B	C	C ₀	P _u	F _r max.	F _{0r} max.			
mm				kN		kN	kN		r/min	kg	–
19	6	9,8	10	3,74	4,5	0,5	4,25	6,1	7 000	0,017	▶ STO 6 TN NA 22/6.2RS
	6	11,8	12	4,02	3,65	0,425	2,55	3,6	7 000	0,022	
24	8	9,8	10	4,13	5,4	0,6	7,5	10,8	7 000	0,026	▶ STO 8 TN NA 22/8.2RS
	8	11,8	12	4,68	4,55	0,54	5,3	7,5	6 700	0,034	
30	10	11,8	12	8,25	8,8	1,04	8,5	12,2	6 000	0,049	▶ STO 10 NA 2200.2RS
	10	13,8	14	6,6	7,5	0,88	12	17,3	6 300	0,06	
32	12	11,8	12	8,8	9,8	1,18	8,3	12	5 600	0,057	▶ STO 12 NA 2201.2RS
	12	13,8	14	7,04	8,5	1	11,6	16,6	6 000	0,067	
35	15	11,8	12	9,13	10,6	1,27	7,1	10	5 000	0,063	▶ STO 15 NA 2202.2RS
	15	13,8	14	7,48	9,3	1,12	9,5	13,7	5 000	0,075	
40	17	15,8	16	9,52	13,2	1,6	15,3	22	4 500	0,11	▶ NA 2203.2RS STO 17
	17	15,8	16	14,2	17,6	2,08	12	17,3	4 500	0,11	
47	20	15,8	16	16,1	21,2	2,5	18,6	26,5	4 000	0,15	▶ STO 20 NA 2204.2RS
	20	17,8	18	16,1	18	2,16	17,6	25,5	4 000	0,18	
52	25	15,8	16	16,5	22,8	2,7	18	26	3 400	0,18	▶ STO 25 NA 2205.2RS
	25	17,8	18	16,8	20	2,4	17,3	24,5	3 400	0,21	
62	30	19,8	20	17,9	25,5	3,05	28,5	40,5	2 800	0,32	▶ NA 2206.2RS STO 30
	30	19,8	20	22,9	34,5	4,25	23,6	33,5	2 600	0,31	
72	35	19,8	20	24,6	39	4,8	36	51	2 200	0,44	▶ STO 35 NA 2207.2RS
	35	22,7	23	22,4	35,5	4,3	38	54	2 200	0,51	
80	40	19,8	20	23,8	39	4,75	34,5	49	1 900	0,53	▶ STO 40 NA 2208.2RS
	40	22,7	23	27,5	40,5	5	35,5	51	1 900	0,63	
90	50	22,7	23	28,1	43	5,3	34,5	50	1 600	0,69	▶ NA 2210.2RS

▶ Popular item



Dimensions

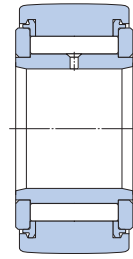
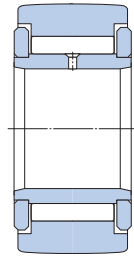
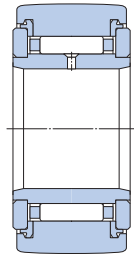
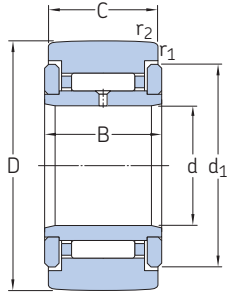
D	D ₁	E	F	r _{1,2} min.	r _{3,4} min.
---	----------------	---	---	--------------------------	--------------------------

mm

19	– 16	13 –	10 10	0,3 0,3	0,3 0,3
24	– 18	15 –	12 12	0,3 0,3	0,3 0,3
30	– 20	20 –	14 14	0,3 0,6	0,3 0,3
32	– 22	22 –	16 16	0,3 0,6	0,3 0,3
35	– 26	26 –	20 20	0,3 0,6	0,3 0,3
40	28 –	– 29	22 22	1 0,3	0,3 0,3
47	– 33	32 –	25 25	0,3 1	0,3 0,3
52	– 38	37 –	30 30	0,3 1	0,3 0,3
62	43 –	– 46	35 38	1 0,6	0,3 0,6
72	– 50	50 –	42 42	0,6 1,1	0,6 0,6
80	– 57	58 –	50 48	1 1,1	1 0,6
90	68	–	58	1,1	0,6

15.2 Support rollers with flange rings, with an inner ring

D 16 – 40 mm



NATR

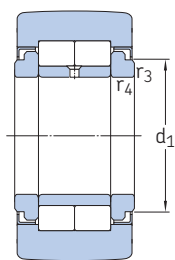
NATR .. PPA

NATV

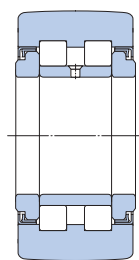
NATV .. PPA

Principal dimensions				Basic load ratings		Fatigue load limit	Maximum radial loads		Limiting speed	Mass	Designation
D	d	C	B	C	C ₀		F _r max.	F _{0r} max.			
mm				kN		kN	kN		r/min	kg	–
16	5	11	12	3,14	3,2	0,345	2,9	4,15	6 000	0,014	NATR 5
	5	11	12	3,14	3,2	0,345	2,9	4,15	6 000	0,014	▶ NATR 5 PPA
	5	11	12	4,73	6,55	0,72	4,05	5,7	4 300	0,015	NATV 5
	5	11	12	4,73	6,55	0,72	4,05	5,7	4 300	0,015	▶ NATV 5 PPA
19	6	11	12	3,47	3,8	0,415	3,8	5,5	5 600	0,02	▶ NATR 6
	6	11	12	3,47	3,8	0,415	3,8	5,5	5 600	0,019	▶ NATR 6 PPA
	6	11	12	5,28	8	0,88	5,1	7,35	4 000	0,021	NATV 6
	6	11	12	5,28	8	0,88	5,1	7,35	4 000	0,021	▶ NATV 6 PPA
24	8	14	15	5,28	6,1	0,695	5,2	7,35	5 000	0,038	▶ NATR 8 PPA
	8	14	15	7,48	11,4	1,32	7,35	10,4	3 600	0,042	NATV 8
	8	14	15	7,48	11,4	1,32	7,35	10,4	3 600	0,041	▶ NATV 8 PPA
30	10	14	15	6,44	8	0,88	7,8	11,2	4 800	0,064	▶ NATR 10
	10	14	15	6,44	8	0,88	7,8	11,2	4 800	0,061	▶ NATR 10 PPA
	10	14	15	8,97	14,6	1,66	11	15,6	3 200	0,065	NATV 10
	10	14	15	8,97	14,6	1,66	11	15,6	3 200	0,064	▶ NATV 10 PPA
32	12	14	15	6,6	8,5	0,95	7,65	10,8	4 500	0,071	NATR 12
	12	14	15	6,6	8,5	0,95	7,65	10,8	4 500	0,066	▶ NATR 12 PPA
	12	14	15	9,35	15,3	1,76	10,6	15	3 000	0,072	▶ NATV 12
	12	14	15	9,35	15,3	1,76	10,6	15	3 000	0,069	▶ NATV 12 PPA
35	15	18	19	9,52	13,7	1,56	11,4	16,3	4 000	0,1	▶ NATR 15
	15	18	19	9,52	13,7	1,56	11,4	16,3	4 000	0,095	▶ NATR 15 PPA
	15	18	19	12,3	23,2	2,7	14,6	20,8	2 600	0,11	NATV 15
	15	18	19	12,3	23,2	2,7	14,6	20,8	2 600	0,1	▶ NATV 15 PPA
	15	18	19	16,8	17,6	2	8,65	12,2	5 000	0,099	▶ NUTR 15 A
	15	18	19	11,9	11,4	1,2	8,65	12,5	5 000	0,099	▶ PWTR 15.2RS
40	17	20	21	10,5	14,6	1,73	12,5	18	3 400	0,14	▶ NATR 17
	17	20	21	10,5	14,6	1,73	12,5	18	3 400	0,14	▶ NATR 17 PPA
	17	20	21	14,2	26,5	3,1	17	24,5	2 200	0,15	NATV 17
	17	20	21	14,2	26,5	3,1	17	24,5	2 200	0,15	▶ NATV 17 PPA
	17	20	21	19	22	2,5	14	20	4 500	0,15	▶ NUTR 17 A
	17	20	21	13,8	14,3	1,5	13,7	19,6	4 500	0,15	▶ PWTR 17.2RS

▶ Popular item



NUTR..A



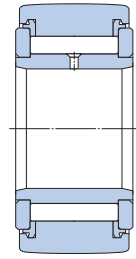
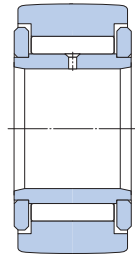
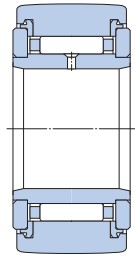
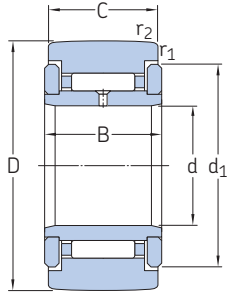
PWTR...2RS

Dimensions

D	d ₁	r _{1,2} min.	r _{3,4} min.
mm			
16	12,5	0,15	–
	12,5	0,15	–
	12,5	0,15	–
	12,5	0,15	–
19	15	0,15	–
	15	0,15	–
	15	0,15	–
	15	0,15	–
24	19	0,3	–
	19	0,3	–
	19	0,3	–
	19	0,3	–
30	23	0,6	–
	23	0,6	–
	23	0,6	–
	23	0,6	–
32	25	0,6	–
	25	0,6	–
	25	0,6	–
	25	0,6	–
35	27,6	0,6	–
	27,6	0,6	–
	27,6	0,6	–
	27,6	0,6	–
	20	0,6	0,3
	20	0,6	0,3
40	31,5	1	–
	31,5	1	–
	31,5	1	–
	31,5	1	–
	22	1	0,5
	22	1	0,5

15.2 Support rollers with flange rings, with an inner ring

D 42 – 72 mm



NATR

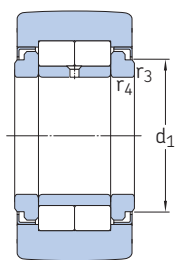
NATR .. PPA

NATV

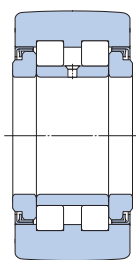
NATV .. PPA

Principal dimensions				Basic load ratings		Fatigue load limit	Maximum radial loads		Limiting speed	Mass	Designation	
D	d	C	B	C	C ₀		F _r	F _{0r}				
mm				kN		kN	kN		r/min	kg	–	
42	15	18	19	20,1	23,2	2,65	21,6	31	5 000	0,16	▶ NUTR 1542 A PWTR 1542.2RS	
	15	18	19	14,2	15	1,6	22	31,5	5 000	0,16		
47	17	20	21	22	27	3,05	30	43	4 500	0,22	▶ NUTR 1747 A PWTR 1747.2RS ▶ NATR 20	
	17	20	21	15,7	17,6	1,86	30	42,5	4 500	0,22		
	20	24	25	14,7	24,5	2,9	23,6	33,5	3 000	0,25		
	20	24	25	14,7	24,5	2,9	23,6	33,5	3 000	0,24	▶ NATR 20 PPA NATV 20 ▶ NATV 20 PPA	
		20	24	25	19,4	41,5	5	30,5	43	1 900		0,25
		20	24	25	19,4	41,5	5	30,5	43	1 900		0,25
20	24	25	25	28,6	33,5	3,9	17,6	25	3 800	0,25	▶ NUTR 20 A PWTR 20.2RS	
	20	24	25	22,9	24,5	2,8	18,3	26	3 800	0,25		
52	20	24	25	31,9	39	4,55	30	42,5	3 800	0,32	▶ NUTR 2052 A ▶ PWTR 2052.2RS ▶ NATR 25	
	20	24	25	25,5	29	3,35	30,5	44	3 800	0,32		
	25	24	25	14,7	25,5	3,1	21,6	31	2 400	0,28		
	25	24	25	14,7	25,5	3,1	21,6	31	2 400	0,27	▶ NATR 25 PPA NATV 25 ▶ NATV 25 PPA	
		25	24	25	19,8	44	5,3	28,5	40,5	1 600		0,29
		25	24	25	19,8	44	5,3	28,5	40,5	1 600		0,28
25	24	25	25	29,7	36	4,25	18	25,5	3 200	0,28	▶ NUTR 25 A ▶ PWTR 25.2RS	
	25	24	25	23,8	26,5	3,05	18,6	26,5	3 200	0,28		
62	25	24	25	35,8	48	5,6	44	63	3 200	0,45	▶ NUTR 2562 A PWTR 2562.2RS ▶ NATR 30	
	25	24	25	29,2	36	4,05	45	64	3 200	0,45		
	30	28	29	22,9	37,5	4,55	26,5	38	1 800	0,47		
	30	28	29	22,9	37,5	4,55	26,5	38	1 800	0,44	▶ NATR 30 PPA NATV 30 ▶ NATV 30 PPA	
		30	28	29	29,2	62	7,65	34,5	49	1 400		0,48
		30	28	29	29,2	62	7,65	34,5	49	1 400		0,47
30	28	29	41,3	47,5	5,85	24	34,5	2 600	0,47	▶ NUTR 30 A PWTR 30.2RS		
	30	28	29	31,9	32,5	4,05	20,4	29	2 600		0,47	
72	30	28	29	48,4	61	7,5	53	76,5	2 600	0,7	▶ NUTR 3072 A PWTR 3072.2RS ▶ NATR 35 PPA	
	30	28	29	39,6	45	5,6	47,5	68	2 000	0,7		
	35	28	29	24,6	43	5,3	33,5	48	1 600	0,55		
	35	28	29	31,9	72	8,8	43	62	1 100	0,63	▶ NATV 35 PPA ▶ NUTR 35 A PWTR 35.2RS	
		35	28	29	45,7	57	6,95	33,5	47,5	2 000		0,63
		35	28	29	35,8	40,5	5	28	40	2 000		0,63

▶ Popular item



NUTR..A



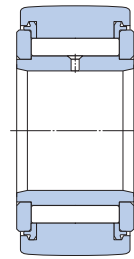
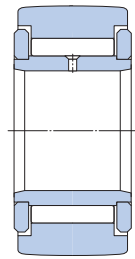
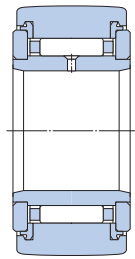
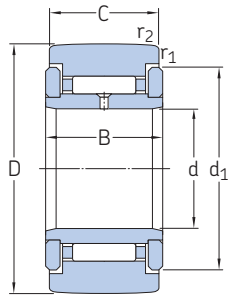
PWTR...2RS

Dimensions

D	d ₁	r _{1,2} min.	r _{3,4} min.
mm			
42	20	0,6	0,3
	20	0,6	0,3
47	22	1	0,5
	22	1	0,5
	36,5	1	–
	36,5	1	–
	36,5	1	–
	36,5	1	–
	27	1	0,5
	27	1	0,5
52	27	1	0,5
	27	1	0,5
	41,5	1	–
	41,5	1	–
	41,5	1	–
	41,5	1	–
	31	1	0,5
	31	1	0,5
62	31	1	0,5
	31	1	0,5
	51	1	–
	51	1	–
	51	1	–
	51	1	–
	38	1	0,5
	38	1	0,5
72	38	1	0,5
	38	1	0,5
	58	1,1	–
	58	1,1	–
	44	1,1	0,6
	44	1,1	0,6

15.2 Support rollers with flange rings, with an inner ring

D 80 – 110 mm



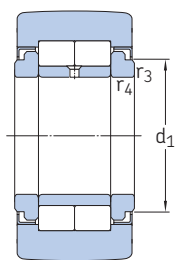
NATR

NATR .. PPA

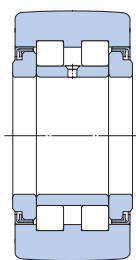
NATV

NATV .. PPA

Principal dimensions				Basic load ratings		Fatigue load limit	Maximum radial loads		Limiting speed	Mass	Designation
D	d	C	B	C	C ₀		F _r max.	F _{0r} max.			
mm				kN		kN	kN		r/min	kg	–
80	35	28	29	51,2	68	8,3	57	81,5	2 000	0,84	▶ NUTR 3580 A ▶ PWTR 3580.2RS ▶ NATR 40 PPA
	35	28	29	41,8	50	6,3	51	72	2 000	0,84	
	40	30	32	31,9	57	7,1	41,5	58,5	1 500	0,8	
	40	30	32	39,1	88	11	51	73,5	950	0,83	▶ NATV 40 PPA ▶ NUTR 40 A ▶ PWTR 40.2RS
	40	30	32	57,2	72	9	32	45,5	1 800	0,82	
	40	30	32	41,8	49	6	33,5	48	1 800	0,82	
85	45	30	32	58,3	75	9,3	32,5	46,5	1 700	0,88	▶ NUTR 45 A ▶ PWTR 45.2RS
	45	30	32	42,9	50	6,2	34	48	1 700	0,88	
90	40	30	32	68,2	91,5	11,4	63	90	1 800	1,15	▶ NUTR 4090 A ▶ PWTR 4090.2RS ▶ NATR 50 PPA
	40	30	32	49,5	62	7,65	64	91,5	1 800	1,15	
	50	30	32	30,8	58,5	7,2	40	57	1 200	0,87	
	50	30	32	39,1	93	11,6	50	72	850	0,97	▶ NATV 50 PPA ▶ NUTR 50 A ▶ PWTR 50.2RS
	50	30	32	58,3	78	9,65	32,5	47,5	1 600	0,95	
	50	30	32	42,9	52	6,55	34,5	49	1 600	0,95	
100	45	30	32	73,7	104	12,7	80	114	1 700	1,4	▶ NUTR 45100 A ▶ PWTR 45100.2RS
	45	30	32	53,9	69,5	8,65	81,5	116	1 700	1,4	
110	50	30	32	78,1	116	14,3	98	140	1 600	1,7	▶ NUTR 50110 A ▶ PWTR 50110.2RS
	50	30	32	57,2	78	9,65	100	143	1 600	1,7	



NUTR..A



PWTR...2RS

Dimensions

D	d ₁	r _{1,2} min.	r _{3,4} min.
---	----------------	--------------------------	--------------------------

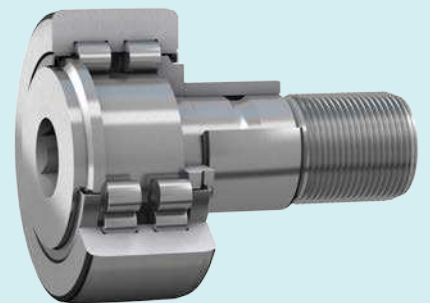
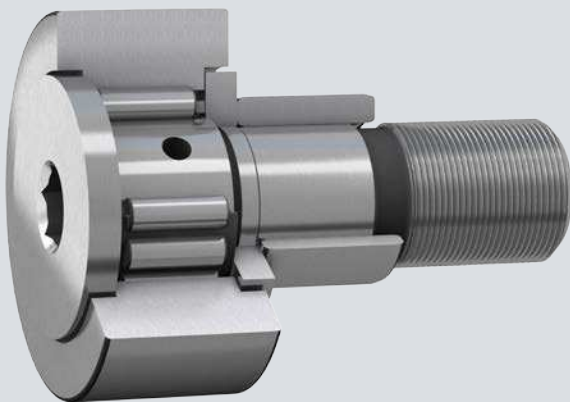
mm

80	44	1,1	0,6
	44	1,1	0,6
	66	1,1	–
85	66	1,1	–
	50,5	1,1	0,6
	50,5	1,1	0,6
90	55,2	1,1	0,6
	55,2	1,1	0,6
90	50,5	1,1	0,6
	50,5	1,1	0,6
	76	1,1	–
100	76	1,1	–
	59,8	1,1	0,6
	59,8	1,1	0,6
100	55,2	1,1	0,6
	55,2	1,1	0,6
110	59,8	1,1	0,6
	59,8	1,1	0,6



16

Cam followers



16 Cam followers



Designs and variants	965
KR design cam followers	966
NUKR .. A design cam followers	967
PWKR ...2RS design cam followers	967
Cages	968
Accessories	968
Grease fittings	968
Hexagonal nuts	968
VD1 plugs	968
AP design adapters	968
Lubrication	971
Bearing data	972
(Dimension standards, profile of the outer ring running surface, tolerances, internal clearance, defect frequencies)	
Loads	973
(Dynamic loads, static loads, axial loads, minimum load, equivalent dynamic bearing load, equivalent static bearing load)	
Temperature limits	974
Speed limits	974
Design considerations	974
Attachment holes for studs	974
Support surfaces	974
Mounting	975
Designation system	976
Product table	
16.1 Cam followers	978

16 Cam followers

More information

General bearing knowledge	17
Bearing selection process	59
Lubrication	109
Bearing interfaces	139
Sealing, mounting and dismounting	193

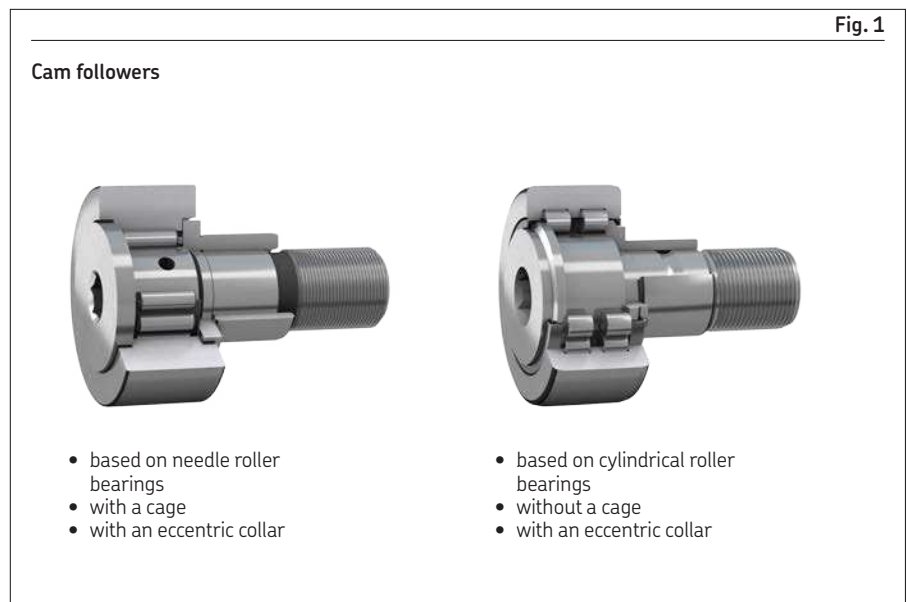
SKF cam followers (stud-type track rollers) are designed to run on all types of tracks and to be used in cam drives, conveyor systems, etc.

SKF cam followers are based on either needle or cylindrical roller bearings. Instead of an inner ring, they have a threaded solid stud (pin).

SKF supplies them ready-to-mount. To meet the requirements of different applications, they are available in several designs and variants (**fig. 1**):

- with or without a cage
- with different stud designs:
 - a concentric seat
 - an eccentric collar
- with several sealing solutions
- with the outer ring running surface profile:
 - crowned as standard
 - cylindrical (flat)

In contrast to ball and roller bearings, where the bearing size refers to the bore diameter d , for cam followers the size refers to their outside diameter D .



Cam follower features

- Accommodate high radial loads**
 The thick-walled outer ring enables high radial loads, while reducing distortion and bending stresses.
- Accommodate axial loads**
 The flange rings enable cam followers to accommodate axial loads that can occur because of skew or tilting.
- Long service life**
 The crowned outer ring running surface is beneficial for applications where outer ring tilting relative to the track may occur or where edge stresses need to be minimized.
- Easy to mount**
 The threaded solid stud (pin) of cam followers can be quickly and easily attached to appropriate machine components by means of a hexagonal nut.

Designs and variants

SKF cam followers have a thick-walled outer ring with its running surface crowned as standard. However, cam followers with a cylindrical (flat) running surface are also available (designation suffix X).

SKF cam followers are available in three basic designs (fig. 2):

- KR design
- NUKR design
- PWKR design

All three designs have the same main dimensions. They are available in different stud designs (fig. 3):

- a concentric seat
- an eccentric collar (E at the end of the basic designation) on the stud

The eccentric collar has a shrink-fit onto the stud, enabling less stringent positioning tolerances to be specified for associated components. The values of the adjustable eccentricity are listed in the [product table, page 978](#).

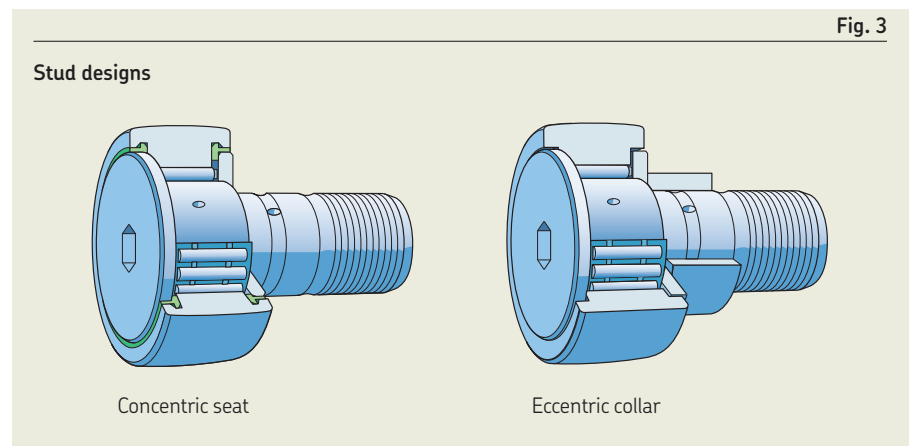


Fig. 3

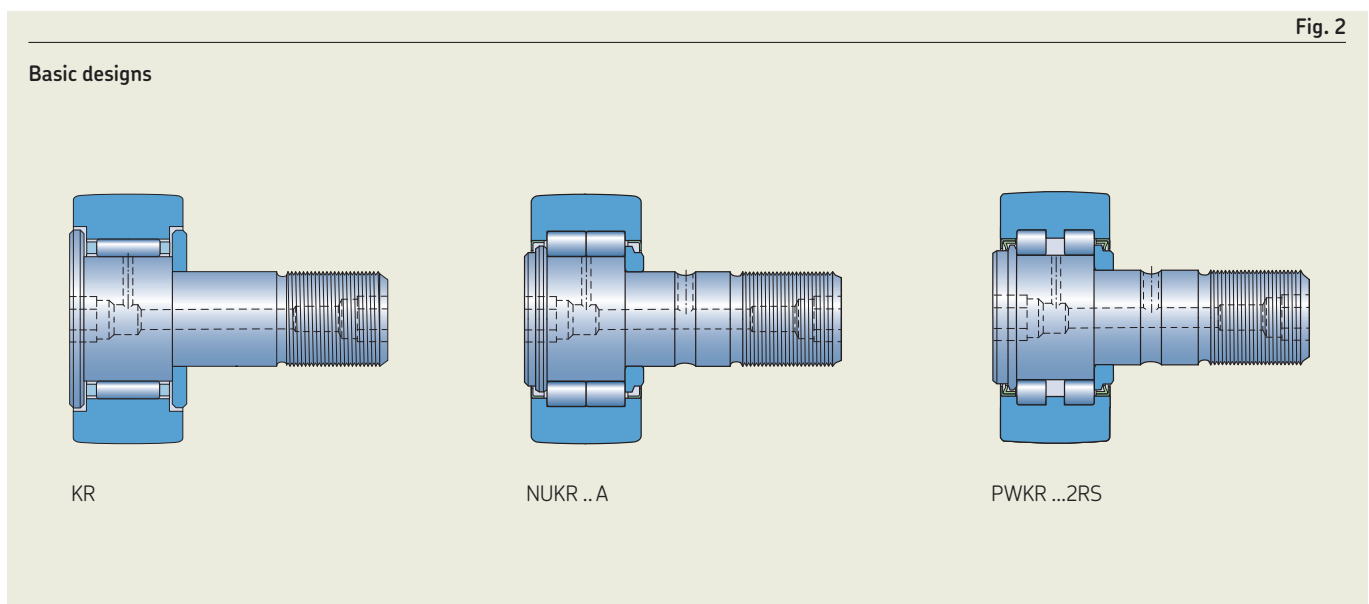


Fig. 2

KR design cam followers

- are available based on:
 - a needle roller and cage assembly (fig. 4)
 - a full complement needle roller set (fig. 5, V in the basic designation)
 Cam followers based on a full complement of needle rollers accommodate higher loads than same-sized cam followers with a cage.
- have the outer ring axially guided by the pressed-on flange ring and the stud head (integral flange), forming a gap-type seal
- are also available with an axial sliding ring on both sides (designation suffixes PPA, fig. 6, or PPSKA, fig. 7, or PPXA):
 - made of PA66
 - forming narrow labyrinth seals with the outer ring in a radial direction, to protect against coarse contaminants
 - serving as contact seals in an axial direction to retain grease reliably in the bearing
 - improving lubrication conditions in the cam follower, keeping friction and frictional heat low, and extending grease life



KR design cam followers, sizes 16 and 19

- without a designation suffix or with the designation suffix PPA (fig. 6)
 - have one slot in the head of the stud that enables the stud to be held in place by a screwdriver during mounting
 - have a relubrication hole for a press-in grease fitting or a plug if relubrication is not required in the centre of the slot (Accessories, page 968)
- with the designation suffix PPSKA (fig. 7)
 - have a hexagonal recess in the head of the stud that enables the stud to be held in place by a hexagonal key (Allen wrench) during mounting
 - have no relubrication features

KR design cam followers, designation suffix B, sizes ≥ 22

- have a hexagonal recess at each end of the stud (fig. 4), enabling the cam follower to be held in place by a hexagonal key (Allen wrench) during mounting
- have a relubrication hole for a press-in grease fitting in the centre of each hexagonal recess
- can accommodate adapters from a centralized lubrication system for sizes ≥ 35 (Accessories, page 968)

Fig. 4

KR .. B design, sizes 22 and 26

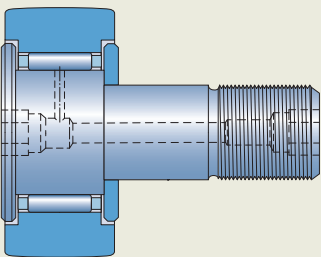


Fig. 5

KRV .. PPA design, sizes ≥ 30

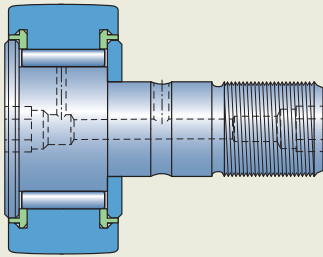
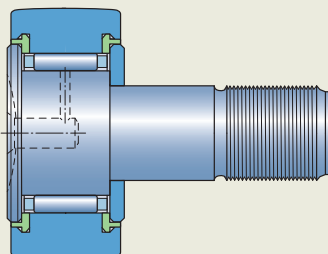
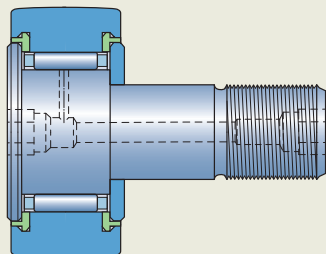


Fig. 6

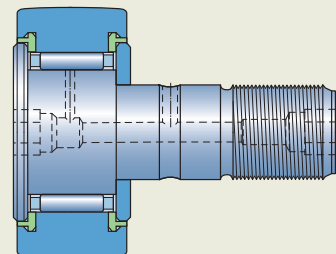
KR .. PPA designs



Sizes 16 and 19



Sizes 22 and 26



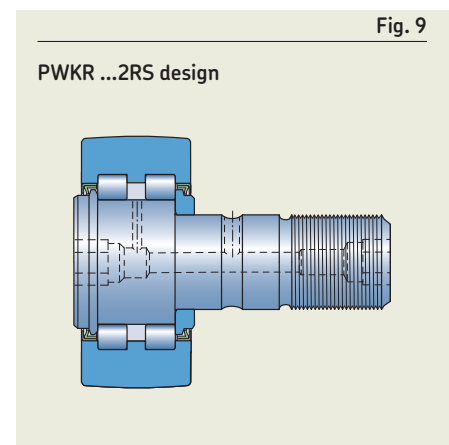
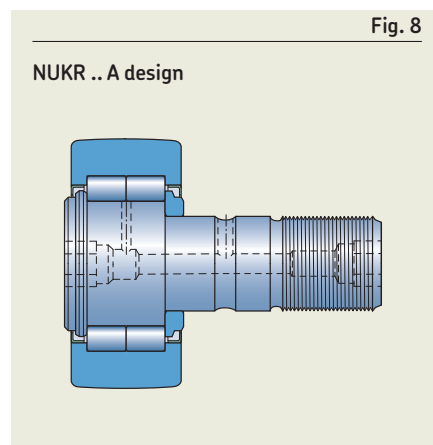
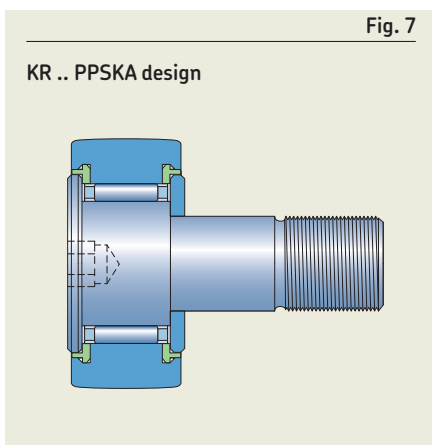
Sizes ≥ 30

NUKR .. A design cam followers

- are based on double row full complement cylindrical roller bearings without an integral flange between the two roller sets (fig. 8)
- have the outer ring axially guided by the stud head and pressed-on flange ring via the roller sets
- have a sheet metal angle ring pressed into the outer ring shoulder on both sides, forming an effective labyrinth seal
- have a hexagonal recess at each end of the stud, enabling the cam follower to be held in place by a hexagonal key (Allen wrench) during mounting
- have a relubrication hole for a press-in grease fitting or an adapter from a centralized lubrication system in the centre of each hexagonal recess (Accessories, page 968)
- accommodate relatively heavy axial loads that can occur because of skew or tilting

PWKR ...2RS design cam followers

- are based on double row full complement cylindrical roller bearings (fig. 9)
- have the outer ring axially guided by the stud head and pressed-on flange ring via the roller sets
- are fitted on both sides with an NBR contact seal, being integral with a sheet metal angle ring that is pressed into the outer ring shoulder, to press against the flange ring and the stud head
- have a hexagonal recess at each end of the stud, enabling the cam follower to be held in place by a hexagonal key (Allen wrench) during mounting
- have a relubrication hole for a press-in grease fitting or an adapter from a centralized lubrication system in the centre of each hexagonal recess (Accessories, page 968)
- accommodate relatively heavy axial loads that can occur because of skew or tilting



Cages

Cam followers, if not a full complement of rollers, are fitted with a sheet steel window-type cage that is roller centred (fig. 10).

For information about the suitability of cages, refer to *Cages*, page 187.

Accessories

SKF supplies accessories to enable reliable lubrication and location of SKF cam followers (table 1). Accessories, other than grease fittings and hexagonal nuts, must be ordered separately.

Grease fittings

- are supplied with each cam follower as standard (table 1) and are the only ones to be used
- can be pressed into position
- are listed in table 2, page 970 with their dimensions
- have heads that protrude from the stud head end by 1,5 mm for KR design cam followers of sizes 16 and 19

Hexagonal nuts

- are supplied with each cam follower as standard (table 1)
- are in accordance with ISO 4032 or ISO 8673
- are manufactured to strength class 8.8
- are zinc galvanized in accordance with ISO 4042
- are listed in table 3, page 970 with their dimensions and recommended tightening torques

VD1 plugs

- are used to plug the relubrication hole end in the stud of KR design cam followers of sizes 16 and 19 without designation suffix PPSKA, where:
 - relubrication is not required
 - there is no space for the head of the grease fitting
- must be ordered separately (table 1)

AP design adapters

- enable cam followers to be relubricated via a centralized lubrication system
- have a connection that accommodates, for example, 4 × 0,75 polyamide tubing in accordance with DIN 73378, as shown in fig. 11, in which:
 - 1 Connection
 - 2 O-ring
 - 3 Adapter connection
 - 4 Female thread M10x1
 - 5 Polyamide tube
- must be ordered separately (table 1)
- are listed in table 4, page 970 with their dimensions

Fig. 10

Cage for cam follower

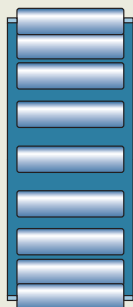


Fig. 11

Adapter for connection to centralized lubrication system

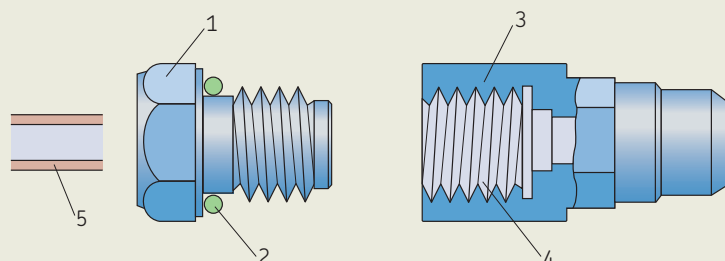
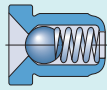


Table 1

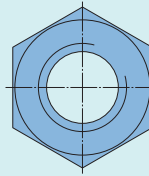
Accessories for cam followers



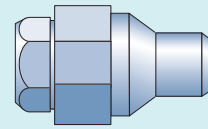
Grease fitting



Plug



Hexagonal nut



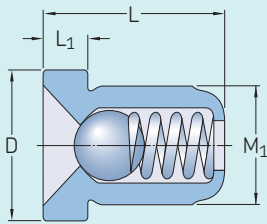
Adapter

Cam follower Design	Size		Supplied with the cam follower		To be ordered separately	
	without seals	with seals	Grease fitting	Hexagonal nut	Plug	Adapter
KR	16	16 PPA	NIP A1	M 6x1	VD1	–
KRE	–	16 PPSKA	–	M 6x1	–	–
KRV	19	19 PPA	NIP A1	M 8x1,25	VD1	–
–	–	19 PPSKA	–	M 8x1,25	–	–
22 B	–	22 PPA	2 x NIP A1x4,5	M 10x1	–	–
26 B	–	26 PPA	2 x NIP A1x4,5	M 10x1	–	–
30 B	–	30 PPA	2 x NIP A1x4,5	M 12x1,5	–	–
32 B	–	32 PPA	2 x NIP A1x4,5	M 12x1,5	–	–
35 B	–	35 PPA	2 x NIP A2x7,5	M 16x1,5	–	AP 8
40 B	–	40 PPA	2 x NIP A2x7,5	M 18x1,5	–	AP 8
–	–	47 PPA	2 x NIP A2x7,5	M 20x1,5	–	AP 10
–	–	52 PPA	2 x NIP A2x7,5	M 20x1,5	–	AP 10
–	–	62 PPA	2 x NIP A3x9,5	M 24x1,5	–	AP 14
–	–	72 PPA	2 x NIP A3x9,5	M 24x1,5	–	AP 14
–	–	80 PPA	2 x NIP A3x9,5	M 30x1,5	–	AP 14
–	–	90 PPA	2 x NIP A3x9,5	M 30x1,5	–	AP 14
NUKR .. A	–	35	2 x NIP A2x7,5	M 16x1,5	–	AP 8
NUKRE .. A	–	40	2 x NIP A2x7,5	M 18x1,5	–	AP 8
PWKR ...2RS	–	47	2 x NIP A2x7,5	M 20x1,5	–	AP 10
PWKRE ...2RS	–	52	2 x NIP A2x7,5	M 20x1,5	–	AP 10
–	–	62	2 x NIP A3x9,5	M 24x1,5	–	AP 14
–	–	72	2 x NIP A3x9,5	M 24x1,5	–	AP 14
–	–	80	2 x NIP A3x9,5	M 30x1,5	–	AP 14
–	–	90	2 x NIP A3x9,5	M 30x1,5	–	AP 14



Table 2

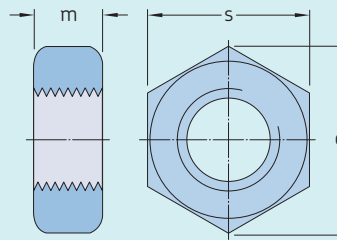
Grease fittings



Designation	Dimensions			
	M ₁	D	L	L ₁
-	mm			
NIP A1	4	6	6	1,5
NIP A1x4,5	4	4,7	4,5	1
NIP A2x7,5	6	7,5	7,5	2
NIP A3x9,5	8	10	9,5	3

Table 3

Hexagonal nuts

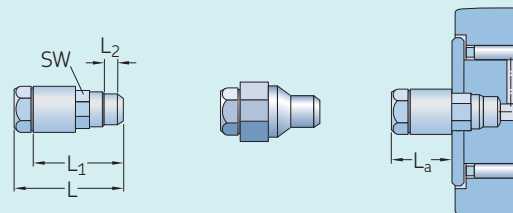


Size	Dimensions			Tightening torque	Standard ¹⁾
	m	e	s		
-	mm			Nm	-
M 6x1	5,2	11	10	3	1
M 8x1,25	6,8	14,4	13	8	1
M 10x1	8,4	17,8	16	15	2
M 12x1,5	10,8	20	18	22	2
M 16x1,5	14,8	26,8	24	58	2
M 18x1,5	15,8	29,6	27	87	2
M 20x1,5	18	33	30	120	2
M 24x1,5	21,5	39,5	36	220	2
M 30x1,5	25,6	50,9	46	450	2

¹⁾ 1 = EN ISO 4032, ISO 4032
 2 = EN ISO 8673, ISO 8673

Table 4

Dimensions of adapters for connecting to a centralized lubrication system



AP 8 and AP 10

AP 14

Designation	Dimensions				
	L	L ₁	L ₂	L _a	SW
-	mm				
AP 8	27	22	4	16	8
AP 10	27	22	5	15	10
AP 14	25	20	6	8	14

Lubrication

SKF cam followers are supplied greased ([table 1, page 933](#)).

For general information, refer to *Lubrication*, [page 109](#).

Relubrication requirements

Cam followers:

- should be relubricated regularly to achieve their full service life, even if the initial grease fill still has its full lubricating properties
- used in applications where there are light loads, relatively low speeds and clean surroundings can operate for long periods before relubrication is required
- that operate under contaminated and damp conditions at high speeds or at temperatures $> 70\text{ °C}$ (160 °F) require more frequent relubrication
- without a cage (full complement of rollers) require more frequent relubrication

KR design cam followers of sizes 16 and 19 with designation suffix PPSKA cannot be relubricated.

Relubrication features

Cam followers can be relubricated via ducts inside the stud. Depending on series and size, there are up to three positions for relubrication ([fig. 12](#)):

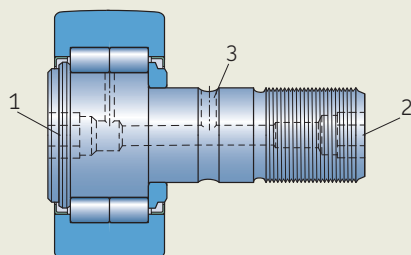
- Positions 1 and 2 can be fitted with the grease fitting supplied with the cam follower.
- Position 3 should be used when relubricating via ducts in the adjacent components.
- For detailed information about the positions, refer to [product tables, page 978](#).
- For cam followers, sizes ≥ 35 , positions 1 and 2 can be connected to a centralized lubrication system (*Accessories*, [page 968](#)).
- Positions not used for relubrication should be closed by a grease fitting or a plug (*Accessories*).

16



Fig. 12

Cam follower relubrication points



Bearing data

Dimension standards	ISO 7063 and ANSI/ABMA Standard 18.1 (where standardized)
Profile of the outer ring running surface	<ul style="list-style-type: none"> • KR .. (B) designs Radius = 500 mm • Other designs Improved crowned profile for better load distribution, higher stiffness and reduced wear
Tolerances	<p>Normal, except:</p> <ul style="list-style-type: none"> • KR, KRE, KRV designs: ISO 7063 • diameter of the crowned running surface: 0/-0,05 mm • stud shank diameter: h7 • eccentric collar diameter: h9 <p>For additional information → page 35</p> <p>Values for Normal tolerance class: ISO 492 (table 2, page 38) Values for ISO tolerance classes: h7 and h9 (table 2, page 970)</p>
Internal clearance	<p>Between C2 and Normal</p> <p>For additional information → page 182</p> <p>Values: ISO 5753-1 (table 11, page 603) Values are valid for unmounted bearings under zero measuring load.</p>
Defect frequencies	→ skf.com/bearingcalculator

Loads

<p>Dynamic loads</p>	<p>As track rollers are not supported in a housing, the outer rings deform, leading to an altered load distribution and bending stresses in the outer ring.</p> <p>The basic load ratings listed in the product table, page 978, take into account the altered load distribution, while the maximum radial loads $F_{r\max}$ (product table) are based on the bending stresses.</p>	<p>Symbols</p> <p>C_0 basic static load rating [kN] (product table, page 978)</p> <p>F_r radial load [kN]</p> <p>$F_{r\max}$ maximum permissible dynamic radial load [kN] (product table)</p> <p>$F_{Or\max}$ maximum permissible static radial load [kN] (product table)</p> <p>F_{rm} minimum radial load [kN]</p> <p>P equivalent dynamic bearing load [kN]</p> <p>P_0 equivalent static bearing load [kN]</p>
<p>Static loads</p>	<p>Permissible static load is the lower value of $F_{Or\max}$ or C_0 (product table).</p> <p>Where requirements for smooth running are below normal, the static load may exceed C_0, but should never exceed the maximum permissible static radial load $F_{Or\max}$.</p>	
<p>Axial loads</p>	<p>Cam followers are intended for radial loads. However, their flange rings enable cam followers to accommodate axial loads that can occur because of skew or tilting. The magnitude of permissible load depends on the internal design.</p>	
<p>Minimum load</p> <p>For additional information → page 106</p>	<p>$F_{rm} = 0,0167 C_0$</p>	
<p>Equivalent dynamic bearing load</p> <p>For additional information → page 91</p>	<p>$P = F_r$</p>	
<p>Equivalent static bearing load</p> <p>For additional information → page 105</p>	<p>$P_0 = F_r$</p>	

Temperature limits

The permissible operating temperature for cam followers can be limited by:

- the dimensional stability of the bearing rings and rollers
- the cage
- the seals
- the lubricant

Where temperatures outside the permissible range are expected, contact SKF.

Bearing rings and rollers

SKF cam followers are heat stabilized up to at least 140 °C (280 °F).

Cages

Steel cages can be used at the same operating temperatures as the bearing rings and rollers.

Seals

The permissible operating temperature for seals depends on the seal material:

- NBR: -40 to +100 °C (-40 to +210 °F)
Temperatures up to 120 °C (250 °F) can be tolerated for brief periods.
- PA66 sliding rings: -30 to +100 °C (-20 to +210 °F)

Typically, temperature peaks are at the seal lip.

Lubricants

Temperature limits for greases used in SKF cam rollers are provided in [table 1, page 933](#). For temperature limits of other SKF greases, refer to *Selecting a suitable SKF grease*, [page 116](#).

When using lubricants not supplied by SKF, temperature limits should be evaluated according to the SKF traffic light concept ([page 117](#)).

Speed limits

The limiting speed listed in the [product table](#) is a mechanical limit that should not be exceeded unless the bearing design and the application are adapted for higher speeds.

For additional information, refer to *Operating temperature and speed*, [page 130](#).

Design considerations

Attachment holes for studs

The holes in the adjacent part of machinery that will accommodate the stud or eccentric collar of a cam follower should be machined to tolerance class H7 \oplus .

If the requisite tightening torque for the hexagonal nut ([table 3, page 970](#)) cannot be achieved or the cam followers are subjected to peak loads, the stud or eccentric collar should be mounted with an interference fit. The lead-in chamfer of the holes should be $\leq 0,5 \times 45^\circ$.

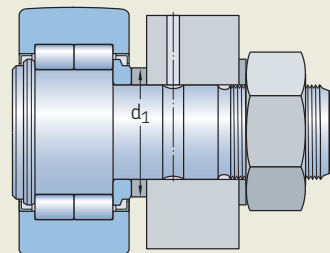
Support surfaces

The flange ring that is pressed onto the stud shank should be axially supported:

- over its entire side face ([fig. 13](#))
- according to diameter d_1 ([product table, page 978](#))
- with material that has a sufficiently high strength to accommodate the tightening torque ([table 3, page 970](#))

Fig. 13

Supported flange ring



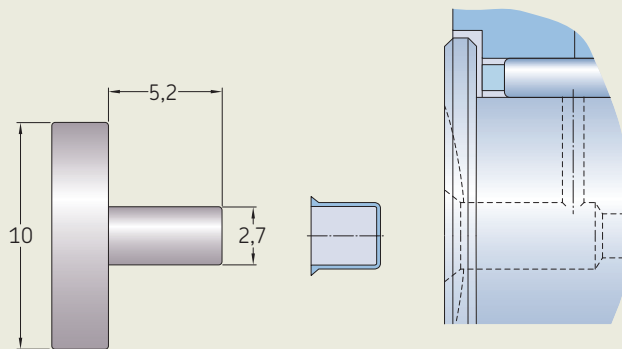
Mounting

Cam followers can be attached to associated components (fig. 13) using the hexagonal nut (table 3, page 970) supplied with the cam follower. Spring washers, which are not supplied by SKF, serve to secure the nuts.

- To exploit the full load carrying capacity of cam followers, the nuts should be tightened to the recommended torque values (table 3).
- Where heavy vibrations occur, cam followers can be located using:
 - self-locking nuts in accordance with ISO 10511
 - special lock washers
 For self-locking nuts, a higher tightening torque must be applied. Follow the recommendations of the nut manufacturer.
- Cam followers, sizes ≥ 22 , have a hexagonal recess in the stud head and can be held in place by a hexagonal key (Allen wrench) while the nut is being tightened.
- Some small cam follower designs (sizes 16 and 19) have a slot in the stud head instead and can be held in place by a screwdriver. For additional information, refer to the illustrations in the product table, page 978.
- Depending on the mounting conditions, cam followers with an eccentric collar can be adjusted to the required eccentricity via the slot or the hexagonal recess.
- Do not hit the head of the stud as damage to the cam follower may result.
- SKF recommends positioning the lubrication hole in the stud head in the unloaded zone of the cam follower. The position of this hole corresponds to the SKF trademark on the head end of the stud.
- The lubrication hole in position 3 that is parallel and in line with the lubrication hole in the stud head (fig. 12, page 971) may be used to incorporate a locking device to prevent the stud from turning.
- When inserting a plug, it should be pressed into place using a mandrel (fig. 14).

Fig. 14

Inserting the VD1 plug with a mandrel



Designation system



Prefixes

Basic designation

- KR** Cam follower fitted with a needle roller and cage assembly
- KRE** Cam follower fitted with a needle roller and cage assembly, with an eccentric collar pressed onto the stud
- KRV** Cam follower fitted with a full complement of needle rollers
- KRVE** Cam follower fitted with a full complement of needle rollers, with an eccentric collar pressed onto the stud
- NUKR** Cam follower based on a double row full complement cylindrical roller bearing with two integral outer ring flanges
- NUKRE** Cam follower based on a double row full complement cylindrical roller bearing with two integral outer ring flanges, with an eccentric collar pressed onto the stud
- PWKR** Cam follower based on a double row full complement cylindrical roller bearing with three integral outer ring flanges
- PWKRE** Cam follower based on a double row full complement cylindrical roller bearing with three integral outer ring flanges, with an eccentric collar pressed onto the stud

Suffixes

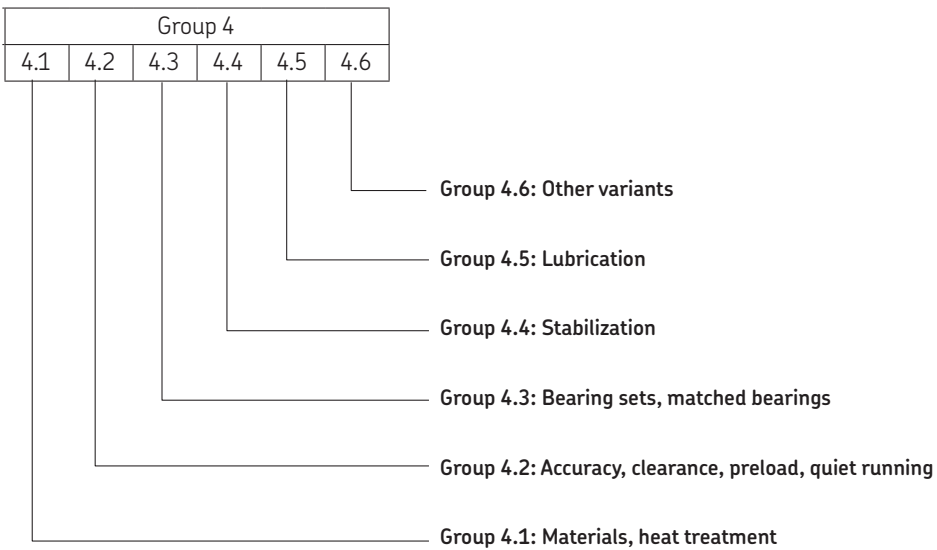
Group 1: Internal design

Group 2: External design (seals, snap ring groove, etc.)

- .2RS** NBR contact seal on both sides.
- A** Improved crowned profile of the outer ring running surface (NUTR design)
- B** Hexagonal recess on both ends of the stud
- PPA** KR design with a PA66 axial sliding and sealing ring on both sides; improved crowned profile of the outer ring running surface
 - Sizes 16 and 19 have one slot in the head of the stud as standard.
 - Sizes ≥ 22 have a hexagonal recess on both ends.
- PPSKA** KR design, sizes 16 and 19, with a PA66 axial sliding and sealing ring on both sides, improved crowned profile of the outer ring running surface and a hexagonal recess in the head of the stud, no relubrication features
- PPXA** PPA features except for the outer ring running surface, which has a cylindrical profile
- X** Cylindrical (flat) profile of the outer ring running surface
- XA** Cylindrical (flat) profile of the outer ring running surface (NUKR .. A or NUKRE .. A design)

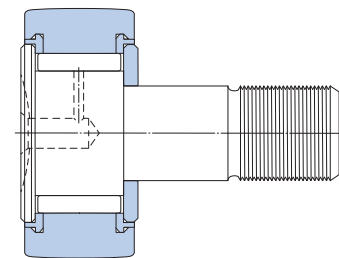
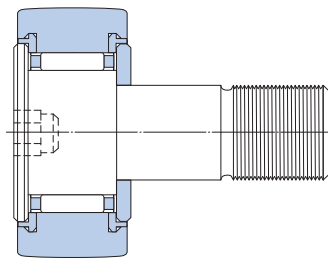
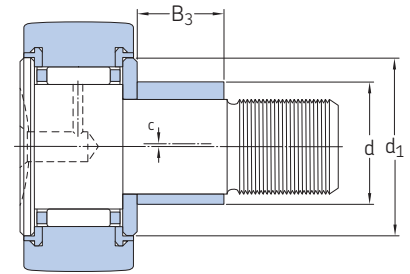
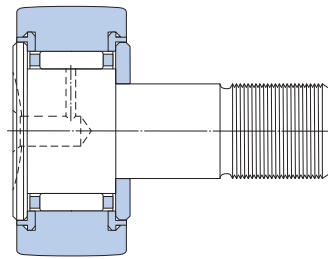
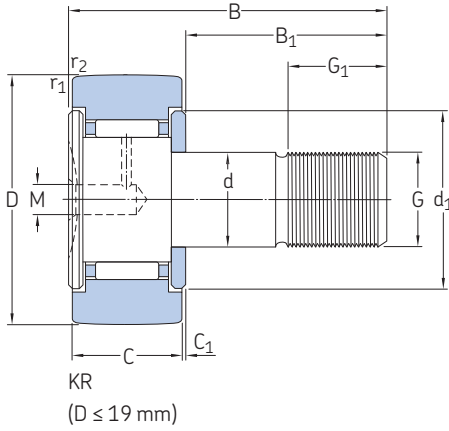
Group 3: Cage design





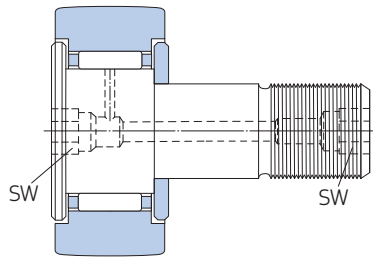
16.1 Cam followers

D 16 – 26 mm

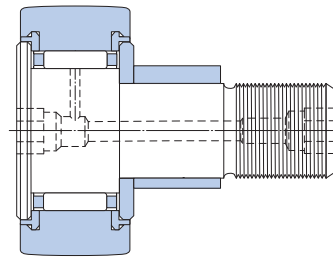


Principal dimensions				Basic load ratings		Fatigue load limit	Maximum radial loads		Limiting speed	Mass	Designation
D	d	B	C	C	C ₀	P _u	F _r max.	F _{0r} max.	r/min	kg	–
mm				kN		kN	kN				
16	6	28	11	3,14	3,2	0,345	2,9	4,15	6 000	0,019	▶ KR 16
	6	28	11	3,14	3,2	0,345	2,9	4,15	6 000	0,018	▶ KR 16 PPA
	6	28	11	3,14	3,2	0,345	2,9	4,15	6 000	0,019	▶ KR 16 PPSKA
	6	28	11	4,73	6,55	0,72	4,05	5,7	4 300	0,019	▶ KRV 16 PPA
	9	28	11	3,14	3,2	0,345	2,9	4,15	6 000	0,02	▶ KRE 16 PPA
19	8	32	11	3,47	3,8	0,415	3,8	5,5	5 600	0,029	▶ KR 19
	8	32	11	3,47	3,8	0,415	3,8	5,5	5 600	0,029	▶ KR 19 PPA
	8	32	11	3,47	3,8	0,415	3,8	5,5	5 600	0,029	▶ KR 19 PPSKA
	8	32	11	5,28	8	0,88	5,1	7,35	4 000	0,031	▶ KRV 19 PPA
	11	32	11	3,47	3,8	0,415	3,8	5,5	5 600	0,032	▶ KRE 19 PPA
22	10	36	12	4,4	5	0,56	4,25	6	5 300	0,045	▶ KR 22 B
	10	36	12	4,4	5	0,56	4,25	6	5 300	0,043	▶ KR 22 PPA
	10	36	12	6,05	9,15	1,04	5,7	8,15	3 600	0,045	▶ KRV 22 PPA
	13	36	12	4,4	5	0,56	4,25	6	5 300	0,047	▶ KRE 22 PPA
26	10	36	12	4,84	6	0,655	9,3	13,2	5 300	0,059	▶ KR 26 B
	10	36	12	4,84	6	0,655	9,3	13,2	5 300	0,057	▶ KR 26 PPA
	10	36	12	6,82	11	1,25	11,4	16,3	3 600	0,059	▶ KRV 26 PPA
	13	36	12	4,84	6	0,655	9,3	13,2	5 300	0,062	▶ KRE 26 PPA

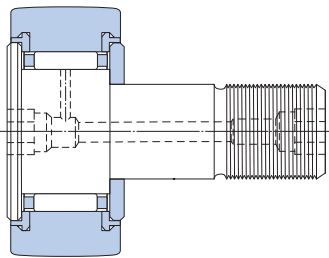
▶ Popular item



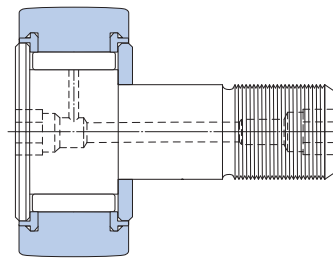
KR..B
($22 \leq D \leq 26$ mm)



KRE..PPA
($22 \leq D \leq 26$ mm)



KR..PPA
($22 \leq D \leq 26$ mm)



KRV..PPA
($22 \leq D \leq 26$ mm)

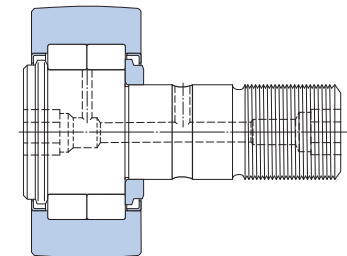
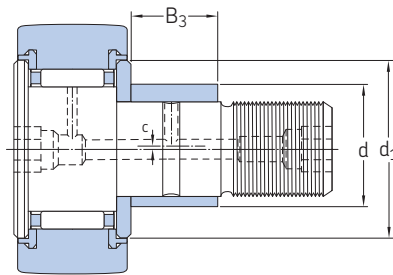
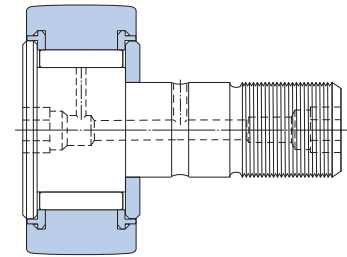
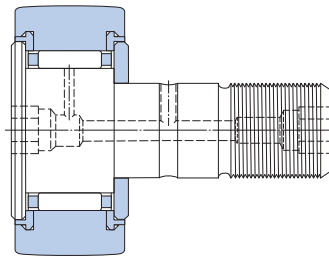
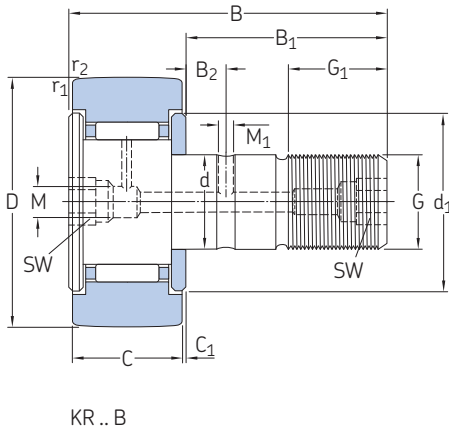
Dimensions

d	B ₁	B ₂	B ₃	C ₁	d ₁	G	G ₁	M	M ₁	SW	c	r _{1,2} min.
mm												
16	16	-	-	0,6	12,5	M 6	8	4	-	-	-	0,15
	16	-	-	0,6	12,5	M 6	8	4	-	-	-	0,15
	16	-	-	0,6	12,5	M 6	8	-	-	4	-	0,15
	16	-	-	0,6	12,5	M 6	8	4	-	-	-	0,15
	16	-	7	0,6	12,5	M 6	8	4	-	-	0,5	0,15
	16	-	-	0,6	12,5	M 6	8	4	-	-	-	0,15
19	20	-	-	0,6	15	M 8	10	4	-	-	-	0,15
	20	-	-	0,6	15	M 8	10	4	-	-	-	0,15
	20	-	-	0,6	15	M 8	10	-	-	4	-	0,15
	20	-	-	0,6	15	M 8	10	4	-	-	-	0,15
	20	-	9	0,6	15	M 8	10	4	-	-	0,5	0,15
	20	-	-	0,6	15	M 8	10	4	-	-	-	0,15
22	23	-	-	0,6	17,5	M 10x1	12	4	-	5	-	0,3
	23	-	-	0,6	17,5	M 10x1	12	4	-	5	-	0,3
	23	-	-	0,6	17,5	M 10x1	12	4	-	5	-	0,3
	23	-	10	0,6	17,5	M 10x1	12	4	-	5	0,5	0,3
	23	-	-	0,6	17,5	M 10x1	12	4	-	5	-	0,3
	23	-	-	0,6	17,5	M 10x1	12	4	-	5	-	0,3
26	23	-	-	0,6	17,5	M 10x1	12	4	-	5	-	0,3
	23	-	-	0,6	17,5	M 10x1	12	4	-	5	-	0,3
	23	-	-	0,6	17,5	M 10x1	12	4	-	5	-	0,3
	23	-	10	0,6	17,5	M 10x1	12	4	-	5	0,5	0,3
	23	-	-	0,6	17,5	M 10x1	12	4	-	5	-	0,3
	23	-	-	0,6	17,5	M 10x1	12	4	-	5	-	0,3

16.1 Cam followers

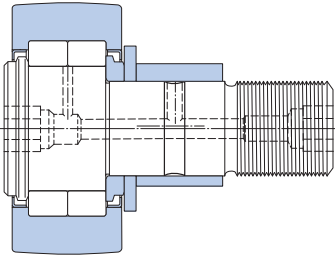
D 30 – 35 mm

16.1

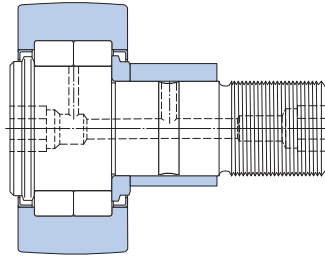



Principal dimensions				Basic load ratings		Fatigue load limit	Maximum radial loads		Limiting speed	Mass	Designation
D	d	B	C	C	C ₀	P _u	F _r max.	F _{0r} max.	r/min	kg	–
mm				kN		kN	kN				
30	12	40	14	6,44	8	0,88	7,8	11,2	4 800	0,092	▶ KR 30 B
	12	40	14	6,44	8	0,88	7,8	11,2	4 800	0,088	▶ KR 30 PPA
	12	40	14	8,97	14,6	1,66	11	15,6	3 200	0,091	▶ KRV 30 PPA
	15	40	14	6,44	8	0,88	7,8	11,2	4 800	0,093	▶ KRE 30 PPA
32	12	40	14	6,71	8,5	0,95	10,6	15	4 800	0,1	▶ KR 32 B
	12	40	14	6,71	8,5	0,95	10,6	15	4 800	0,098	▶ KR 32 PPA
	12	40	14	9,35	15,3	1,76	14,3	20,4	3 200	0,1	▶ KRV 32 PPA
	15	40	14	6,71	8,5	0,95	10,6	15	4 800	0,1	▶ KRE 32 PPA
35	16	52	18	9,52	13,7	1,56	11,4	16,3	4 000	0,17	▶ KR 35 B
	16	52	18	9,52	13,7	1,56	11,4	16,3	4 000	0,16	▶ KR 35 PPA
	16	52	18	12,3	23,2	2,7	14,6	20,8	2 600	0,17	▶ KRV 35 PPA
	16	52	18	16,8	17,6	2	8,65	12,2	5 000	0,16	▶ NUKR 35 A
	16	52	18	11,9	11,4	1,2	8,65	12,5	5 000	0,16	▶ PWKR 35.2RS
	20	52	18	9,52	13,7	1,56	11,4	16,3	4 000	0,18	▶ KRE 35 PPA
	20	52	18	16,8	17,6	2	8,65	12,2	5 000	0,18	▶ NUKRE 35 A

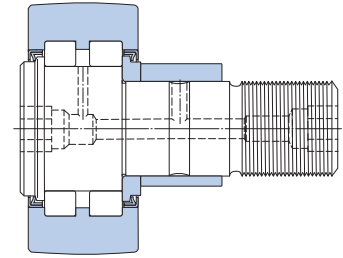
▶ Popular item



NUKRE ..A
($35 \leq D \leq 40$ mm)



NUKRE ..A
($D \geq 47$ mm)



PWKR ...2RS

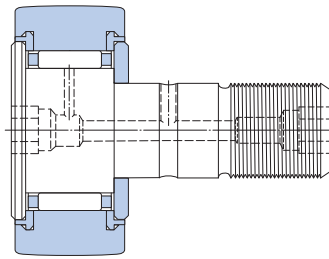
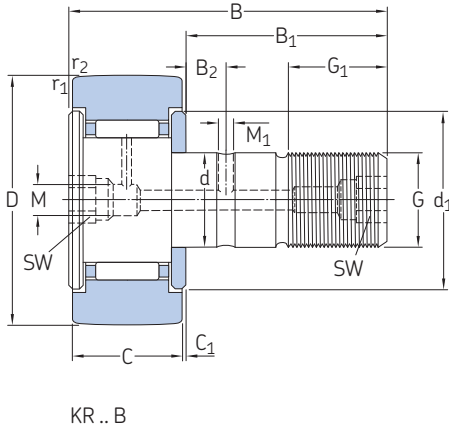
Dimensions

d	B ₁	B ₂	B ₃	C ₁	d ₁	G	G ₁	M	M ₁	SW	c	r _{1,2} min.
mm												
30	25	6	–	0,6	23	M12x1,5	13	4	3	6	–	0,6
	25	6	–	0,6	23	M12x1,5	13	4	3	6	–	0,6
	25	6	–	0,6	23	M12x1,5	13	4	3	6	–	0,6
	25	6	11	0,6	23	M12x1,5	13	4	3	6	0,5	0,6
32	25	6	–	0,6	23	M12x1,5	13	4	3	6	–	0,6
	25	6	–	0,6	23	M12x1,5	13	4	3	6	–	0,6
	25	6	–	0,6	23	M12x1,5	13	4	3	6	–	0,6
	25	6	11	0,6	23	M12x1,5	13	4	3	6	0,5	0,6
35	32,5	8	–	0,8	27,6	M16x1,5	17	6	3	8	–	0,6
	32,5	8	–	0,8	27,6	M16x1,5	17	6	3	8	–	0,6
	32,5	8	–	0,8	27,6	M16x1,5	17	6	3	8	–	0,6
	32,5	7,8	–	0,8	20	M16x1,5	17	6	3	8	–	0,6
	32,5	7,8	–	0,8	20	M16x1,5	17	6	3	8	–	0,6
	32,5	8	14	0,8	27,6	M16x1,5	17	6	3	8	1	0,6
	29,5	7,8	12	3,8	27,6	M16x1,5	17	6	3	8	1	0,6

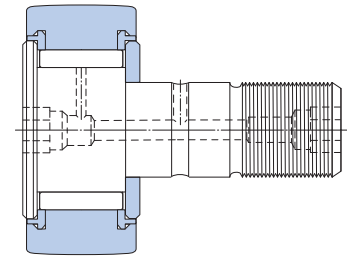
16.1 Cam followers

D 40 – 47 mm

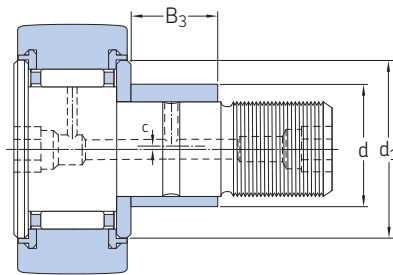
16.1

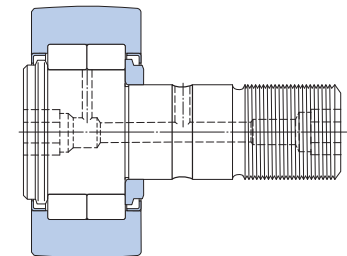
KR..PPA



KRV..PPA



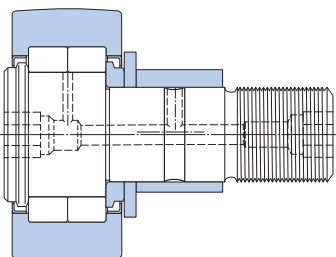
KRE..PPA



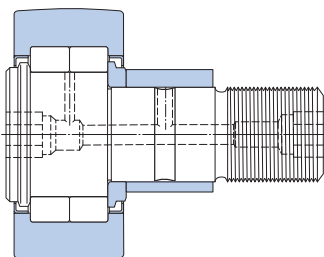
NUKR..A

Principal dimensions				Basic load ratings		Fatigue load limit	Maximum radial loads		Limiting speed	Mass	Designation
D	d	B	C	C	C ₀	P _u	F _r max.	F _{0r} max.			
mm				kN		kN	kN		r/min	kg	–
40	18	58	20	10,5	14,6	1,73	12,5	18	3 400	0,25	► KR 40 B
	18	58	20	10,5	14,6	1,73	12,5	18	3 400	0,24	► KR 40 PPA
	18	58	20	14,2	26,5	3,1	17	24,5	2 200	0,25	► KRV 40 PPA
	18	58	20	19	22	2,5	14	20	4 500	0,24	► NUKR 40 A
	18	58	20	13,8	14,3	1,5	13,7	19,6	4 500	0,24	► PWKR 40.2RS
	22	58	20	10,5	14,6	1,73	12,5	18	3 400	0,26	► KRE 40 PPA
47	22	58	20	19	22	2,5	14	20	4 500	0,26	► NUKRE 40 A
	20	66	24	14,7	24,5	2,9	23,6	33,5	3 000	0,38	► KR 47 PPA
	20	66	24	19,4	41,5	5	30,5	43	1 900	0,39	► KRV 47 PPA
	20	66	24	28,6	33,5	3,9	17,6	25	3 800	0,38	► NUKR 47 A
	20	66	24	22,9	24,5	2,8	18,3	26	3 800	0,38	► PWKR 47.2RS
	24	66	24	14,7	24,5	2,9	23,6	33,5	3 000	0,4	► KRE 47 PPA
	24	66	24	28,6	33,5	3,9	17,6	25	3 800	0,4	► NUKRE 47 A

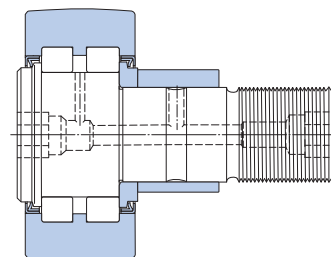
► Popular item



NUKRE ..A
($35 \leq D \leq 40$ mm)



NUKRE ..A
($D \geq 47$ mm)



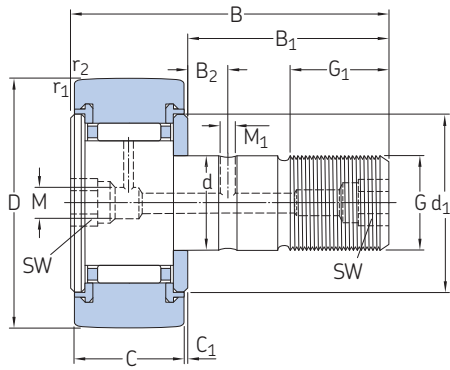
PWKR ...2RS

Dimensions

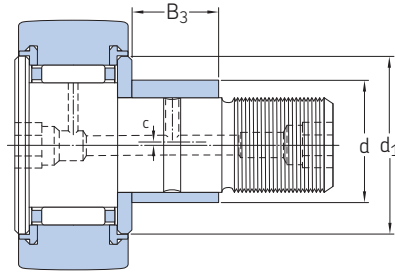
d	B ₁	B ₂	B ₃	C ₁	d ₁	G	G ₁	M	M ₁	SW	c	r _{1,2} min.	
mm													
40	36,5	8	–	0,8	31,5	M18x1,5	19	6	3	8	–	1	
	36,5	8	–	0,8	31,5	M18x1,5	19	6	3	8	–	1	
	36,5	8	–	0,8	31,5	M18x1,5	19	6	3	8	–	1	
	36,5	8	–	0,8	22	M18x1,5	19	6	3	8	–	1	
	36,5	8	–	0,8	22	M18x1,5	19	6	3	8	–	1	
	36,5	8	16	0,8	31,5	M18x1,5	19	6	3	8	1	1	
	33,5	8	14	3,8	30	M18x1,5	19	6	3	8	1	1	
	47	40,5	9	–	0,8	36,5	M20x1,5	21	6	4	10	–	1
		40,5	9	–	0,8	36,5	M20x1,5	21	6	4	10	–	1
40,5		9	–	0,8	27	M20x1,5	21	6	4	10	–	1	
40,5		9	–	0,8	27	M20x1,5	21	6	4	10	–	1	
40,5		9	18	0,8	36,5	M20x1,5	21	6	4	10	1	1	
40,5		9	18	0,8	27	M20x1,5	21	6	4	10	1	1	

16.1 Cam followers

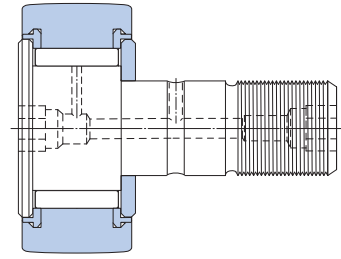
D 52 – 90 mm



KR .. PPA



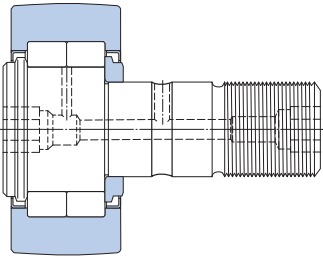
KRE .. PPA



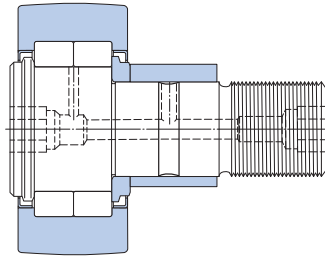
KRV .. PPA

Principal dimensions				Basic load ratings		Fatigue load limit	Maximum radial loads		Limiting speed	Mass	Designation
D	d	B	C	C	C ₀		F _r max.	F _{0r} max.			
mm				kN		kN	kN		r/min	kg	–
52	20	66	24	15,7	27	3,2	36	51	3 000	0,45	▶ KR 52 PPA
	20	66	24	20,9	46,5	5,6	45	64	1 900	0,46	▶ KRV 52 PPA
	20	66	24	29,7	36	4,25	18	25,5	3 200	0,45	▶ NUKR 52 A
	20	66	24	23,8	26,5	3,05	18,6	26,5	3 200	0,45	▶ PWKR 52.2RS
	24	66	24	15,7	27	3,2	36	51	3 000	0,47	▶ KRE 52 PPA
	24	66	24	29,7	36	4,25	18	25,5	3 200	0,47	▶ NUKRE 52 A
62	24	80	29	24,6	44	5,5	58,5	85	2 400	0,77	▶ KR 62 PPA
	24	80	29	31,4	72	9	72	102	1 700	0,79	▶ KRV 62 PPA
	24	80	28	41,3	48	5,85	25	36	2 600	0,8	▶ NUKR 62 A
	24	80	28	31,9	32,5	4,05	20,4	29	2 600	0,8	▶ PWKR 62.2RS
	28	80	29	24,6	44	5,5	58,5	85	2 400	0,8	▶ KRE 62 PPA
	28	80	28	41,3	48	5,85	25	36	2 600	0,82	▶ NUKRE 62 A
72	24	80	29	26	48	6	100	143	2 400	1	▶ KR 72 PPA
	24	80	29	33	80	9,8	118	170	1 700	1,05	▶ KRV 72 PPA
	24	80	28	45,7	58,5	7,1	34,5	50	2 000	1	▶ NUKR 72 A
	24	80	28	39,6	45	5,6	47,5	68	2 600	1	▶ PWKR 72.2RS
	28	80	29	26	48	6	100	143	2 400	1,05	▶ KRE 72 PPA
	28	80	28	45,7	58,5	7,1	34,5	50	2 000	1,05	▶ NUKRE 72 A
80	30	100	35	36,9	72	9	106	150	1 800	1,6	▶ KR 80 PPA
	30	100	35	45,7	114	14	122	176	1 400	1,65	▶ KRV 80 PPA
	30	100	35	69,3	86,5	10,8	48	69,5	1 900	1,6	▶ NUKR 80 A
	30	100	35	57,2	73,5	9,3	64	91,5	2 000	1,6	▶ PWKR 80.2RS
	35	100	35	36,9	72	9	106	150	1 800	1,65	▶ KRE 80 PPA
	35	100	35	69,3	86,5	10,8	48	69,5	1 900	1,65	▶ NUKRE 80 A
90	30	100	35	38	76,5	9,5	160	228	1 800	2	▶ KR 90 PPA
	30	100	35	47,3	122	15	183	260	1 400	2	▶ KRV 90 PPA
	30	100	35	78,1	102	12,7	86,5	125	1 900	1,95	▶ NUKR 90 A
	30	100	35	62,7	85	10,8	108	153	2 000	1,95	▶ PWKR 90.2RS
	35	100	35	38	76,5	9,5	160	228	1 800	2,05	▶ KRE 90 PPA
	35	100	35	78,1	102	12,7	86,5	125	1 900	2	▶ NUKRE 90 A

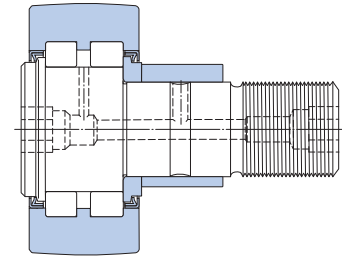
▶ Popular item



NUKR ..A



NUKRE ..A



PWKR ...2RS

Dimensions

d	B ₁	B ₂	B ₃	C ₁	d ₁	G	G ₁	M	M ₁	SW	c	r _{1,2} min.
mm												
52	40,5	9	–	0,8	36,5	M 20x1,5	21	6	4	10	–	1
	40,5	9	–	0,8	36,5	M 20x1,5	21	6	4	10	–	1
	40,5	9	–	0,8	31	M 20x1,5	21	6	4	10	–	1
	40,5	9	–	0,8	31	M 20x1,5	21	6	4	10	–	1
	40,5	9	18	0,8	36,5	M 20x1,5	21	6	4	10	1	1
	40,5	9	18	0,8	31	M 20x1,5	21	6	4	10	1	1
62	49,5	11	–	0,8	44	M 24x1,5	25	8	4	14	–	1
	49,5	11	–	0,8	44	M 24x1,5	25	8	4	14	–	1
	49,5	11	–	1,3	38	M 24x1,5	25	8	4	14	–	1
	49,5	11	–	1,3	38	M 24x1,5	25	8	4	14	–	1
	49,5	11	22	0,8	44	M 24x1,5	25	8	4	14	1	1
	49,5	11	22	1,3	38	M 24x1,5	25	8	4	14	1	1
72	49,5	11	–	0,8	44	M 24x1,5	25	8	4	14	–	1,1
	49,5	11	–	0,8	44	M 24x1,5	25	8	4	14	–	1,1
	49,5	11	–	1,3	44	M 24x1,5	25	8	4	14	–	1,1
	49,5	11	–	1,3	44	M 24x1,5	25	8	4	14	–	1,1
	49,5	11	22	0,8	44	M 24x1,5	25	8	4	14	1	1,1
	49,5	11	22	1,3	44	M 24x1,5	25	8	4	14	1	1,1
80	63	15	–	1	53	M 30x1,5	32	8	4	14	–	1,1
	63	15	–	1	53	M 30x1,5	32	8	4	14	–	1,1
	63	15	–	1	47	M 30x1,5	32	8	4	14	–	1,1
	63	15	–	1	47	M 30x1,5	32	8	4	14	–	1,1
	63	15	29	1	53	M 30x1,5	32	8	4	14	1,5	1,1
	63	15	29	1	47	M 30x1,5	32	8	4	14	1,5	1,1
90	63	15	–	1	53	M 30x1,5	32	8	4	14	–	1,1
	63	15	–	1	53	M 30x1,5	32	8	4	14	–	1,1
	63	15	–	1	47	M 30x1,5	32	8	4	14	–	1,1
	63	15	–	1	47	M 30x1,5	32	8	4	14	–	1,1
	63	15	29	1	53	M 30x1,5	32	8	4	14	1,5	1,1
	63	15	29	1	47	M 30x1,5	32	8	4	14	1,5	1,1





17

Sensor bearing units



17 Sensor bearing units

Motor encoder units	988	Product table	
Designs and variants	989	17.1 Motor encoder units	1002
Sensor technology	989		
Cable connection	990		
Lubrication	990		
Motor encoder units for extreme operating conditions ..	990		
Product data	991		
Requirements for the receiving interface	991		
Electromagnetic compatibility	991		
High-performance filtering	991		
Bearing data	992		
(Dimension standards, tolerances, internal clearance)			
Loads	992		
Temperature limits	992		
Permissible speed	993		
Design considerations	993		
Cable outlet	993		
Motor encoder units in the non-locating bearing position	993		
Motor encoder units in the locating bearing position ..	993		
Motor encoder units in floating bearing arrangements.	993		
Mounting	994		
Mounting a unit on a shaft	994		
Mounting a unit into a housing	995		
Cable connection	995		
Designation system	995		
 Roller encoder units	 996		
Sensor technology	996		
 Steering encoder units	 997		
Sensor technology and electrical data	998		
Units providing absolute position information	998		
 Rotor positioning sensor bearing units	 998		
Units for sine wave or vector control	998		
 Rotor positioning bearings	 1000		
Applications	1000		



17 Sensor bearing units



More information

General bearing knowledge	17
Bearing selection process	59
Lubrication	109
Bearing interfaces	139
Seat tolerances for standard conditions	148
Selecting internal clearance or preload	182
Sealing, mounting and dismounting	193

Mounting instructions for individual bearings → skf.com/mount

SKF sensor bearing units are used to monitor accurately the status of rotating or linear components and are:

- compact
- robust and reliable
- simple and ready-to-mount

Sensor-integrated solutions engineered by SKF have been well proven in a variety of industrial and automotive applications, such as electric motors, electric vehicles, road rollers, tractors, forklifts and conveyors. Typical uses include:

- motor management
- steering
- speed and position sensing
- measurement of angular position

Motor encoder units

Monitoring the status of rotating components accurately is essential for many applications. This is particularly true for AC motors that require encoders to measure the speed and the direction of rotation continuously.

SKF motor encoder units (**fig. 1**) combine active sensor technology with an SKF Explorer deep groove ball bearing and are:

- able to provide a signal resolution ranging from 32 to 80 digital pulses per revolution
- compact only 6,2 mm wider than the corresponding standard deep groove ball bearing (**fig. 2**)
- ready-to-mount and can be mounted at either bearing position in an AC motor
- available for shaft diameters ranging from 15 to 45 mm



Designs and variants

SKF motor encoder units are compact, integrated units consisting of (fig. 3):

- an SKF Explorer deep groove ball bearing in the 62 series with a snap ring groove in the outer ring and an RS1 contact seal (*Single row deep groove ball bearings, page 241*)
- an impulse ring
- a sensor body
- a connecting cable

The impulse ring, which attaches to the inner ring of the bearing, is a composite magnetized ring that contains between 32 and 80 north and south poles. The number of poles depends on the size of the bearing. The sensor body, which is attached to the outer ring, protects the patented SKF Hall effect cell. The multi-wire connecting cable extends in the radial direction.

The bearing is protected by a contact seal on one side. On the opposite side of the bearing, the impulse ring and sensor body create an effective labyrinth seal to keep lubricant in and solid contaminants out of the bearing.

Sensor technology

SKF motor encoder units use a compact and robust sensor that produces an incremental encoder signal. The sensor is accurate down to zero revolutions per minute. An integrated active circuit (requiring an external voltage supply) in the sensor body contains two Hall effect cells that produce an output signal consisting of two square waves (fig. 4).

The signals can be interpreted by motor controllers in different ways:

- The direction of rotation can be determined from the phase shift, when the rising edge of a signal first appears.
- Low speeds can be determined by measuring the time between two electrical events, such events being the rising and falling edge on either square wave.
- High speeds can be measured by counting the number of electrical events within a given time period.

The two square waves are 90° out of phase with each other. This phase shift changes sign with the direction of rotation. fig. 4 shows the general specifications of the signal. The presence of two signals in quadrature enables a processing unit to multiply the number of angular position increments per revolution. For example, using a standard SKF sensor bearing with 64 pulses per revolution and a standard electronic interface that can detect the rising (Low/High) and falling (High/Low) times of each of the two

Fig. 2

Extended width compared to a standard deep groove ball bearing

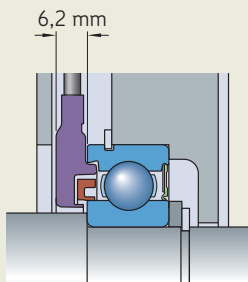


Fig. 3

Motor encoder unit

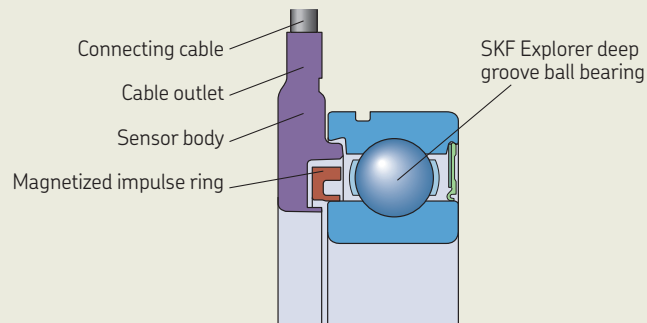
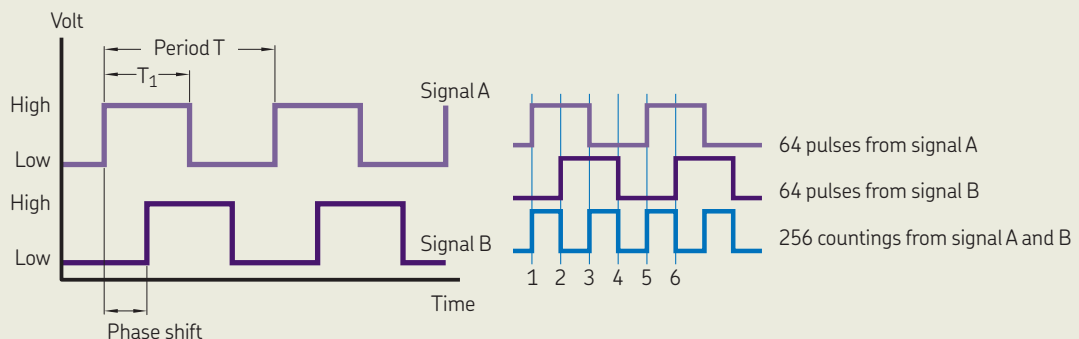


Fig. 4

Sensor technology



N = number of pulses per revolution
Resolution: $R = 360^\circ/N$
Period accuracy = $(T - R)/R$
Duty cycle = $100 T_1/T$

17 Sensor bearing units

signals, it is possible to obtain 256 electrical events per revolution, which translates to an angular resolution of $1,4^\circ$ (fig. 4, page 989).

SKF motor encoder units provide accurate and reliable signals for effective motor control and are 100% tested for period accuracy, duty cycle and phase shift during manufacture.

Cable connection

SKF motor encoder units are available as standard with one of the following:

- a free cable end with an output signal consisting of two square waves, designation suffix 008A (fig. 5)
- an AMP Superseal™ connector (AMP Nos. 282106-1 and 282404-1), designation suffix 108A (fig. 6)

Standard cable lengths are listed in the [product table, page 1002](#). For alternative connectors or cable lengths, contact SKF.

Lubrication

SKF motor encoder units are:

- filled, under clean conditions, with a high-quality grease (table 2, page 245) that is suitable for the most common operating conditions of electric motors
- virtually maintenance-free

The grease life in the bearing can be calculated according to the method described under *Grease life for capped bearings*, page 246.

Motor encoder units for extreme operating conditions

Magnetic sensors have temperature and motor power limits. For applications where magnetic sensors are not practical, high-performance inductive technology can be used instead. Inductive sensors use coils to sense the rotation of a specially designed induction tooth ring. For additional information about motor encoder units for extreme operating conditions, contact SKF.



Fig. 5

Free cable end, designation suffix 008A (including dongle, except for unit BMD-6206)

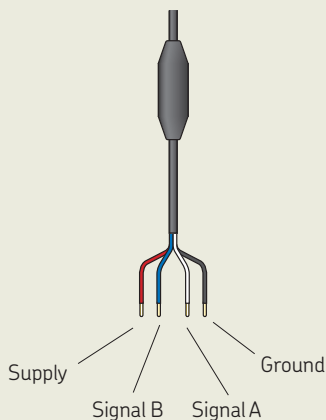
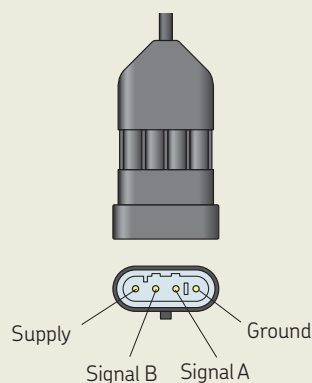


Fig. 6

AMP Superseal™ connector, designation suffix 108A



Product data

Requirements for the receiving interface

The receiving interface must be able to process the signals, which are provided via open collector circuits (fig. 7). Output signal features are listed in table 1. The phase shift is the delay between the two signals' rise events (fig. 4, page 989). It is 1/4 of the period, or 90 electric degrees. The duty cycle value is the high state of the signal compared to the full period (fig. 4). It is nominally 50%.

Power supply

SKF motor encoder units require a regulated voltage supply, which can range from 5 to 18 V DC. For applications above 18 volts, contact SKF.

Resistors

Pull-up resistors (table 2) should be placed between the voltage supply and the conductors for the output signals to limit the output current to 20 mA. The application load resistance between the ground line and the conductors for the output signals should be at least 10 times higher than the resistance of the pull-up resistor. This helps to keep the output signals readable.

Detecting direction of rotation

A positive phase shift corresponds to signal B rising before signal A and indicates the inner ring rotating clockwise when viewed from the sensor side.

Electromagnetic compatibility

SKF motor encoder units can be used in systems operating in very arduous electromagnetic environments as described in the international standard IEC 61000-6-2.

Fig. 7

Typical schematic drawing of a receiving interface

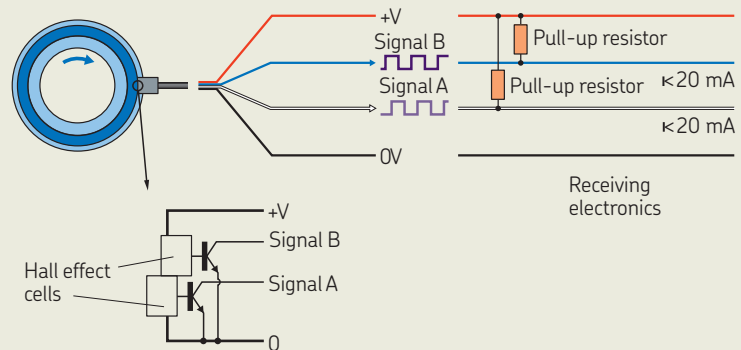


Table 1

Output signal features

Signal type	Digital square
Number of signals	2
Phase shift	90°
Duty cycle	50% of a period

Table 2

Recommended pull-up resistors

Voltage supply	Resistance min.	Power
V DC	Ω	W
5	270	0,25
9	470	0,25
12	680	0,25

High-performance filtering

All standard SKF motor encoder units are protected with high-performance filtering so that they can adapt to the electric environment typically found in industrial and automotive applications:

- Units with a free cable end have the filter included in the overmoulding on the cable.
- Units with an AMP Superseal™ connector have the filter integrated in the connector.



Bearing data

Dimension standards	Boundary dimensions: ISO 15 However, the width of the complete unit is 6,2 mm wider.
Tolerances	d ≤ 25 mm: P5 d ≥ 30 mm: P6
For additional information → page 35	Values: ISO 492 (table 3, page 39 , and fig. 4, page 989)
Internal clearance	C3 Values: ISO 5753-1 (fig. 6, page 990) Values are valid for unmounted bearings under zero measuring load.
For additional information → page 182	

Loads

For information about minimum load and equivalent bearing loads, refer to *Loads*, [page 254](#).

The required minimum load factor k_r and calculation factor f_0 are listed in the [product table, page 1002](#).

Temperature limits

SKF motor encoder units have been tested successfully under various speeds and loads:

- 500 hours at 125 °C (255 °F), with intermittent peaks of up to 10 minutes at 150 °C (300 °F)
- 100 hours at -40 °C (-40 °F)

The permissible operating temperature for SKF motor encoder units can be limited by:

Where other temperatures are expected, contact SKF.



Fig. 8

Radial notch in the housing

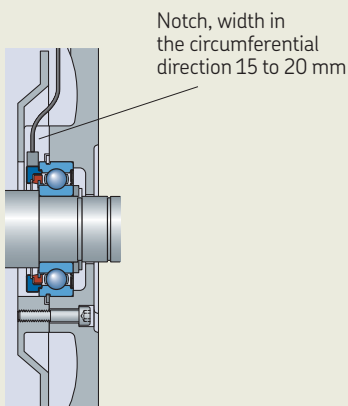


Fig. 9

Motor encoder unit in the non-locating bearing position

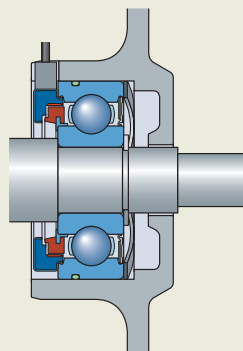
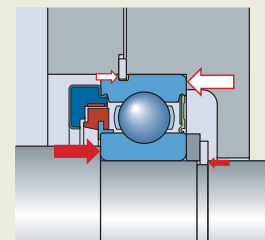


Fig. 10

Recommended load transmission



Permissible speed

The permissible operating speed is limited by the contact seal in the bearing. The sensor can accurately detect speeds from zero revolutions per minute up to the limiting speed listed in the [product table](#), [page 1002](#).

Design considerations

In principle, SKF motor encoder units can be incorporated in designs in the same way as SKF deep groove ball bearings. Some specific recommendations are described below. For additional information about electric motor applications, refer to the SKF handbook *Rolling bearings in electric motors and generators*.

Cable outlet

The cable emerges radially from the motor encoder unit. A sufficiently dimensioned cable duct must be provided in the bearing housing or housing cover. The radial notch in the housing should have a width in the circumferential direction of 15 to 20 mm ([fig. 8](#)).

Motor encoder units in the non-locating bearing position

SKF recommends using motor encoder units in the non-locating bearing position ([fig. 9](#)). However, there is a risk that the outer ring can spin in the housing bore, especially if vibration is a factor. Therefore, SKF recommends placing an O-ring in the snap ring groove to help prevent the outer ring from spinning, which could otherwise damage the cable.

Motor encoder units in the locating bearing position

When using motor encoder units in the locating bearing position, the impulse ring, sensor body and connecting cable should not be subjected to any axial load, whenever possible. When the bearing is subjected to axial loads that act in both directions, the motor encoder unit should be mounted in such a way that the heavier axial load is transmitted to the bearing outer ring side face opposite the sensor ([fig. 10](#)).

Motor encoder units can be located axially in the housing in different ways:

- with a snap ring in the outer ring and a cover bolted to the housing ([fig. 11](#))
- with a spacer sleeve and a snap ring in the housing ([fig. 12](#))
- with a cover engaging the outer ring ([fig. 13](#))

Motor encoder units with $d \leq 25$ mm can only be located axially via a snap ring in the outer ring.

Motor encoder units in floating bearing arrangements

When using motor encoder units in floating bearing arrangements ([page 76](#)), the outer ring should be prevented from spinning by placing an O-ring in the snap ring groove. The motor encoder unit should be mounted in such a way that the axial load acts on the bearing outer ring side face opposite the sensor.

17



Fig. 11

Axial location with a snap ring in the outer ring and a cover bolted to the housing

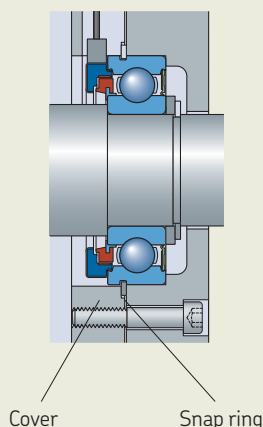


Fig. 12

Axial location with a spacer sleeve and a snap ring in the housing

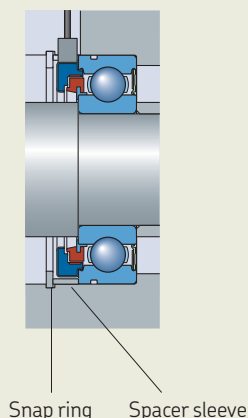
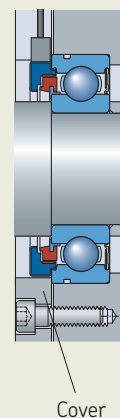


Fig. 13

Axial location with a cover engaging the outer ring



Mounting

SKF motor encoder units must be handled with care to avoid damaging the bearing, sensor and connecting cable. Never apply any force on the cable, cable outlet, sensor body or impulse ring.

On request, SKF can provide assistance in optimizing the mounting and connecting processes.

Mounting a unit on a shaft

Motor encoder units are typically mounted on a shaft with an interference fit. They can be pressed onto the shaft by applying a mounting force via a mounting sleeve or dolly abutting the inner ring side face (fig. 14). To facilitate mounting, the bearing inner ring can be heated:

- Use a temperature-controlled electric hotplate.
- Do not heat the unit above 80 °C (175 °F).
- Place the bearing on a mandrel to heat the inner ring effectively (fig. 15).
- Position the bearing so that the seal is in the lower position to avoid grease leaking out of the bearing.
- Do not use induction heaters as damage to the electronic components may result.



Fig. 14

Mounting force applied via a dolly abutting the inner ring side face

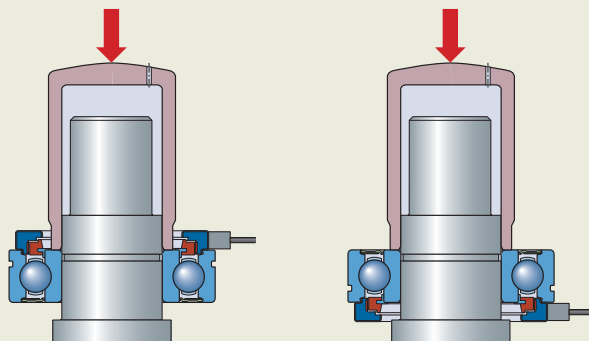
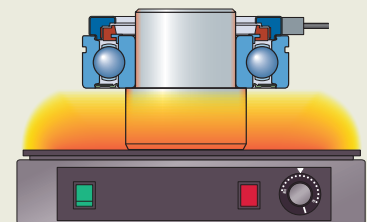


Fig. 15

Bearing on a mandrel to heat the inner ring



Mounting a unit into a housing

When motor encoder units have to be mounted into a housing with an interference fit, they can be pressed into the housing or the housing should be heated. The mounting force should be applied via a mounting sleeve or dolly abutting the outer ring side face or via a snap ring fitted on the outer ring (fig. 16).

In typical electric motor applications, the bearing can be moved into position by using bolts to pull the motor shield and cover together (fig. 17).

Cable connection

The cable should be protected by a duct to prevent it from making sharp turns, being pinched or making contact with any moving parts. To avoid any interference with the sensor signal, do not place the connector near other power cables or wires.

Designation system

Refer to *Designation system*, page 258.

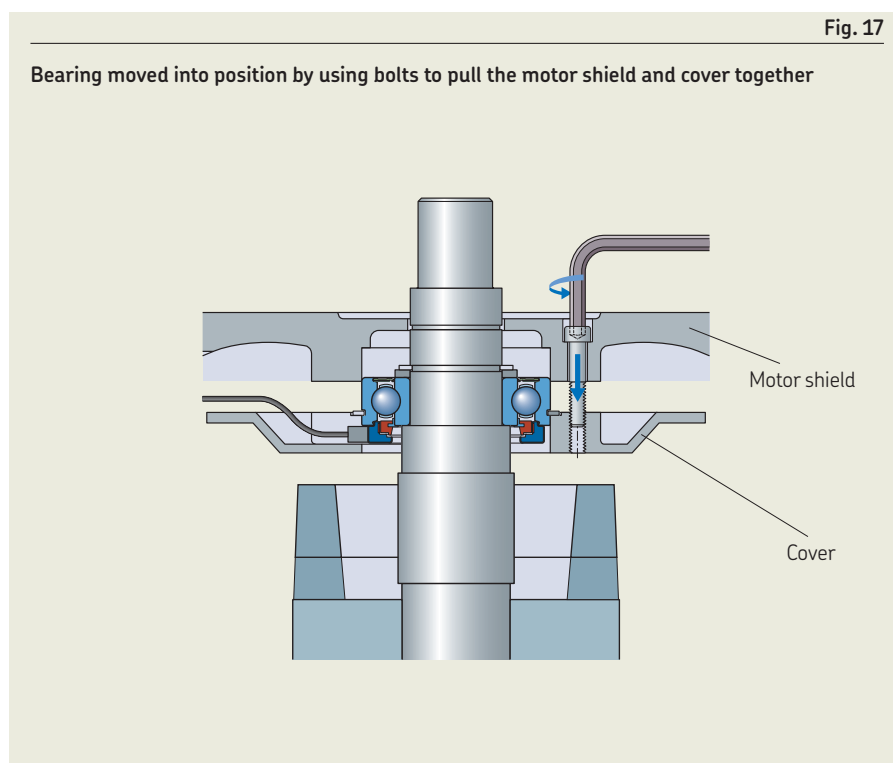
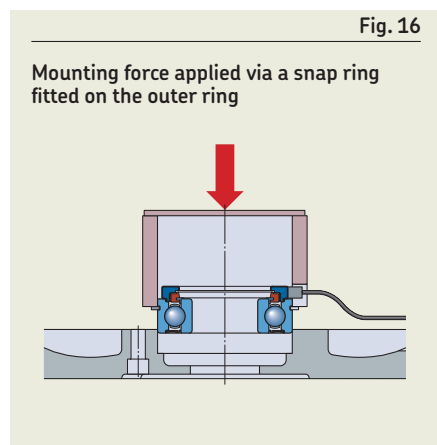
The designation prefixes and suffixes used to identify motor encoder units are explained in the following.

Prefixes

- BMB-** Motor encoder unit BMB series
- BMD-** Motor encoder unit BMD series
- BMO-** Motor encoder unit BMO series

Suffixes

- /032** 32 digital pulses per revolution
- /048** 48 digital pulses per revolution
- /064** 64 digital pulses per revolution
- /080** 80 digital pulses per revolution
- S2** Two signals
- /U** Sales area worldwide
- A** Bearing with a stamped steel cage, ball centred
- B** Bearing with a glass fibre reinforced PA66 cage, ball centred
- 008A** Free cable end
- 108A** AMP Superseal™ connector (AMP Nos. 282106-1 and 282404-1)



Roller encoder units

SKF roller encoder units (fig. 18, table 3) are plug-and-play sensor bearing units designed for applications with outer ring rotation.

The encoder units:

- incorporate a sealed 6201 SKF Explorer deep groove ball bearing, which is lubricated for the life of the bearing
- can be easily integrated into pulleys, cams, rollers, or wheels to provide a compact outer ring rotation encoder assembly
- can be supplied, on request, complete with customized gears, wheels or pulleys



Sensor technology

SKF roller encoder units use similar sensors as SKF motor encoder units (page 988).

They provide two signals, which can be used to determine relative position, speed, acceleration and direction of movement. The requirements for the receiving interface are the same as for SKF motor encoder units.



Roller encoder unit

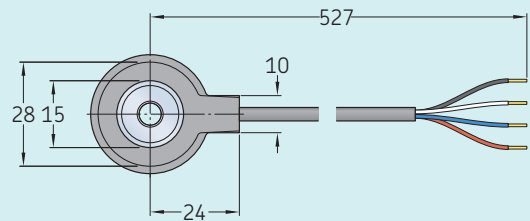
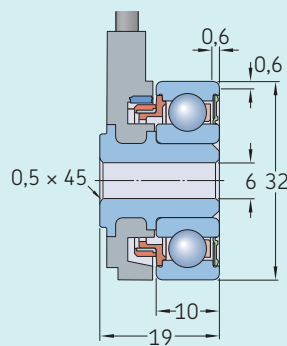


Table 3

Designation	AHE-5509A
Cable connector type	Free cable end
Number of pulses per revolution, N	32
Period accuracy	± 4%
Phase shift output signal	90°
Phase shift output signal tolerance	± 30°
Duty cycle	50%
Duty cycle tolerance	± 10%
Limiting speed	5 000 r/min
Mass	0,066 kg

Steering encoder units

SKF steering encoder units (fig. 19, table 4) are steering input devices for steer-by-wire systems that combine reliable encoder technology with the simplicity of plug-and-play component packaging.

The detailed design of the units is based on well-proven SKF technologies. The units consist of:

- a sealed SKF Explorer deep groove ball bearing for long service life and reliable performance
- bearing encoder technology for precise monitoring
- a friction torque device, which provides feedback to the operator by providing adequate resistance in the steering wheel
- a mechanical interface for mounting
- a shaft to connect the steering wheel

The units reliably fulfill the demands of industrial and off-highway vehicle steer-by-wire systems and:

- do not require any adjustment
- do not require relubrication during their expected service life and are virtually maintenance-free
- are supplied ready-to-mount (connection to a steer-by-wire system is achieved by plugs)

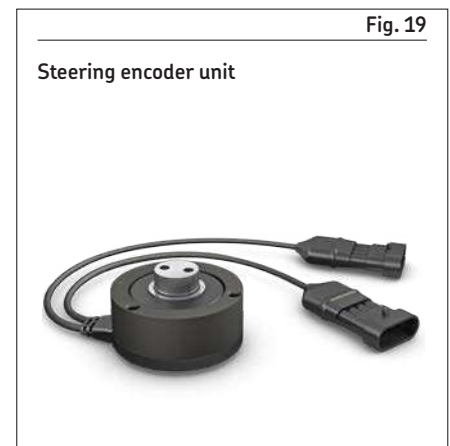
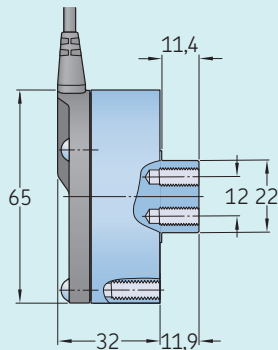


Table 4

Steering encoder units



Designation

Cable connector type

Number of pulses per revolution, N

Period accuracy

Phase shift output signal

Phase shift output signal tolerance

Duty cycle

Duty cycle tolerance

Limiting speed

Mass

AHE-5401D™

AMP Superseal

64

± 8%

90°

± 30°

50%

± 10%

300 r/min

0,57 kg

AHE-5701C™

AMP Superseal

256

± 8%

90°

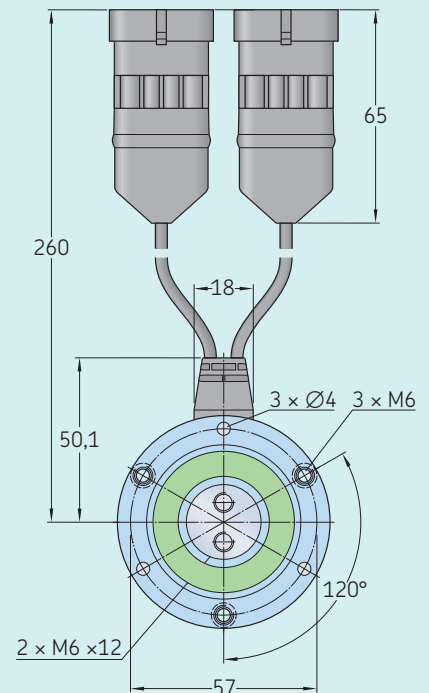
± 30°

50%

± 10%

300 r/min

0,57 kg



17 Sensor bearing units

Sensor technology and electrical data

SKF steering encoder units use sensors to track the movement of a steering wheel. They contain two sets to provide redundancy. The sensors:

- are magnetic
- are non-contact and incremental
- do not wear
- are protected from external influences
- are designed to provide maximum service life

SKF steering encoder units comply with the safety requirements of safety-related control systems in accordance with ISO 13849.

SKF steering encoder units provide two independent sets of square wave signals (fig. 20) via open collector circuits. They require:

- a regulated voltage supply, which can range from 5 to 24 V DC
- pull-up resistors (table 2, page 991) that should be placed between the voltage supply and the conductors for the output signals to limit the output current to 20 mA

The application load resistance between the ground line and the conductors for the output signals should be at least 10 times

higher than the resistance of the pull-up resistor. This keeps the output signals readable.

Units providing absolute position information

SKF can provide customized steering units for applications where a combination of absolute position information, variable steering feel, and active end stops are required. For additional information, contact SKF.

Rotor positioning sensor bearing units

Synchronous motors require a sensor that provides the position of the rotor with a high accuracy, to enable accurate motor torque control and to achieve maximum efficiency and dynamics. These motors use either direct drive or sine wave control. SKF rotor positioning sensor bearing units (fig. 21, table 5) can contribute to optimized motor efficiency for both systems.

Units for sine wave or vector control

- provide the shaft angle position in real time throughout the entire motor speed range
- provide a signal (diagram 1) comparable to the one provided by a resolver and can therefore be used by the motor controller's software
- communicate the shaft angle position via a sine/cosine wave signal
- are more compact and cost-effective than inductive resolvers
- are easy to mount (Mounting, page 994)
- do not require special shaft or housing accuracy in comparison with inductive resolvers (Design considerations, page 993)

SKF can adapt the electronics to comply with the interface of the application.

Fig. 20

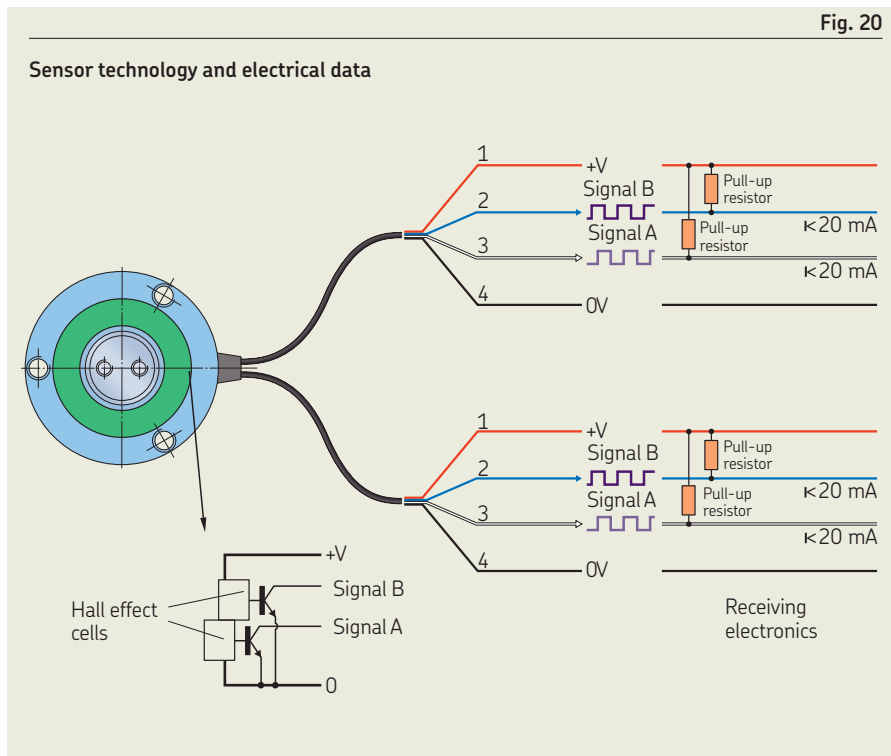


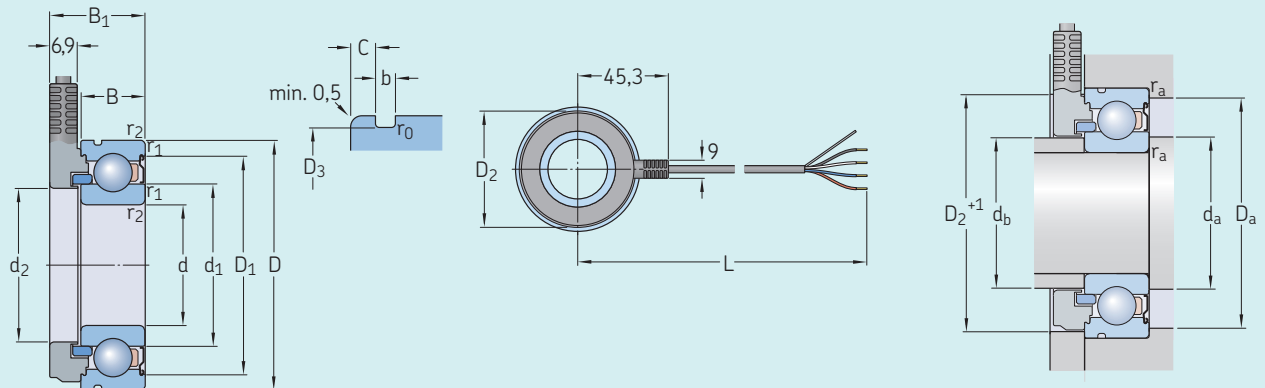
Fig. 21

Rotor positioning sensor bearing unit



Table 5

Rotor positioning sensor bearing unit



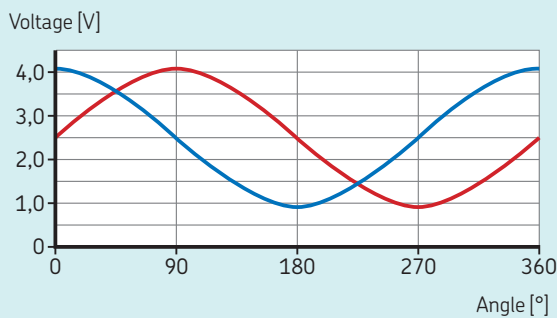
Bore diameter of end cover $\geq D_2 + 1$ mm

Dimensions													Abutment dimensions					
d	D	B ₁	B	d ₁	d ₂	D ₁	D ₂	D ₃	C	b	r ₀	r _{1,2}	L	d _a	d _b	d _b	D _a	r _a
													min.	min.	max.	max.	max.	
mm													mm					
30	62	24,6	16	40,36	38,1	54,1	57,96	59,61	3,28	1,9	0,6	1	515 ±10	35	35	37,5	57	1

Designation	BMB-7052A
Cable connector type	Free cable end
Number of pulses per revolution, N	1
Angle error	± 3.5°
Phase shift	90°
Phase shift tolerance	± 3°
Basic dynamic load rating, C	0,0195 N
Basic static load rating, C₀	0,0112 N
Fatigue load limit, P_u	0,000475 N
Limiting speed	12 000 r/min
Calculation factor, k_r	0,025
Calculation factor, f₀	14
Mass	0,25 kg
Associated snap ring	SP 62

Diagram 1

Analog signal output



Rotor positioning bearings

SKF Rotor positioning bearings (fig. 22, table 6) are customized units with optimized mechanical integration between a magnetic impulse ring and a bearing in an application. The integrated units:

- allow the use of nearly all bearing types
- allow high speeds and temperatures
- generate strong magnetic impulses that are related to the rotor angular position
- can deliver the magnetic field in the axial or radial direction, on a through shaft or at the end of a shaft
- are very robust under severe operating conditions as a result of their high magnetic field strength

Applications

- absolute angular position information for electric motor control in, for example:
 - belt-driven starter generators
 - traction motors
 - e-superchargers and e-turbochargers
- shaft speed detection or low-resolution angular position in, for example:
 - crankshafts
 - transmission shafts

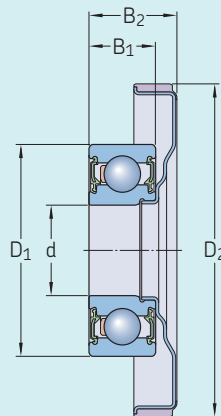


Fig. 22

Rotor positioning bearing

Table 6

Rotor positioning bearings

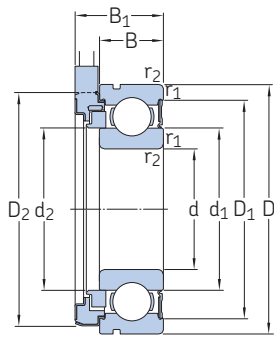


Designation	Bearing size	Principal dimensions					Number of pairs of poles	Limiting speed	Operating temperatures
		d	D ₁	D ₂	B ₁	B ₂			
–	–	mm					–	–	°C (°F)
BMD-0123/ZJ6	6202	15	35	55	11	14,5	6	22 000	–40 to 150 (–40 to 300)
BMD-0123/ZJ8	6202	15	35	55	11	14,5	8	22 000	–40 to 150 (–40 to 300)

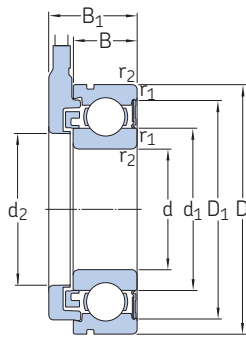


17.1 Motor encoder units

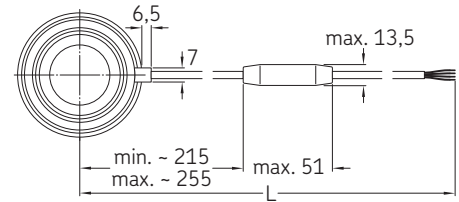
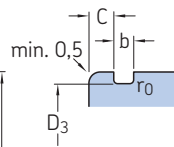
d 15 – 45 mm



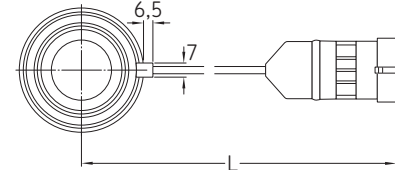
BMB
BMO



BMD



BMB ... 008A (Free cable end)
BMO ... 008A (Free cable end)

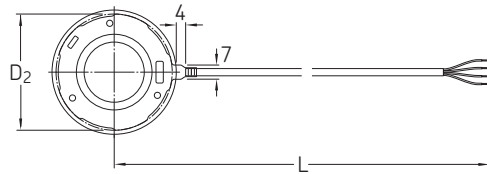


BMB ... 108A (Supersea™)
BMO ... 008A (Supersea™)

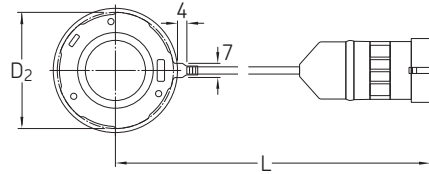
17.1



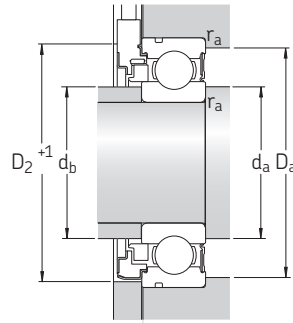
Bearing			Basic load ratings				Fatigue load limit P_u	Limiting speed	Sensor unit			Cable length $L \pm 10$	Mass kg	Designation
Principal dimensions			dynamic C	static C_0	No. of pulses N	Period accuracy			Phase shift output signal					
d	D	B												
mm			kN	kN	r/min	–	%	°	mm	kg	–			
15	35	11	7,8	3,75	13 000	32	±3	90 ±30	525	0,062	BMB-6202/032S2/UB008A BMB-6202/032S2/UB108A			
	35	11	7,8	3,75					0,16	13 000		32	±3	90 ±30
20	47	14	12,7	6,55	10 000	48	±3	90 ±20	535	0,13	BMO-6204/048S2/UA008A BMO-6204/048S2/UA108A			
	47	14	12,7	6,55					0,28	10 000		48	±3	90 ±20
25	52	15	14	7,8	8 500	48	±3	90 ±30	535	0,16	BMO-6205/048S2/UA008A BMO-6205/048S2/UA108A			
	52	15	14	7,8					0,335	8 500		48	±3	90 ±30
30	62	16	19,5	11,2	7 500	64	±4	90 ±30	540	0,22	BMD-6206/064S2/UA008A BMD-6206/064S2/UA108A			
	62	16	19,5	11,2					0,475	7 500		64	±4	90 ±30
40	80	18	30,7	19	5 600	80	±5	90 ±30	545	0,45	BMB-6208/080S2/UB008A BMB-6208/080S2/UB108A			
	80	18	30,7	19					0,8	5 600		80	±5	90 ±30
45	85	19	33,2	21,6	5 000	80	±5	90 ±30	545	0,54	BMB-6209/080S2/UB008A BMB-6209/080S2/UB108A			
	85	19	33,2	21,6					0,915	5 000		80	±5	90 ±30



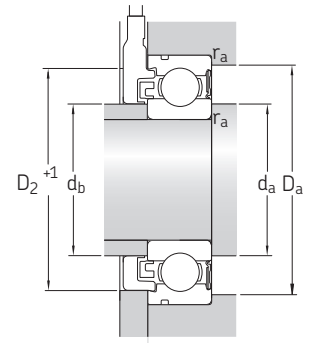
BMD ... 008A (Free cable end)



BMD ... 108A (Superseal™)



BMB
BMO
Bore diameter of end cover
 $\geq D_2 + 1$ mm



BMD
Bore diameter of end cover
 $\geq D_2 + 1$ mm

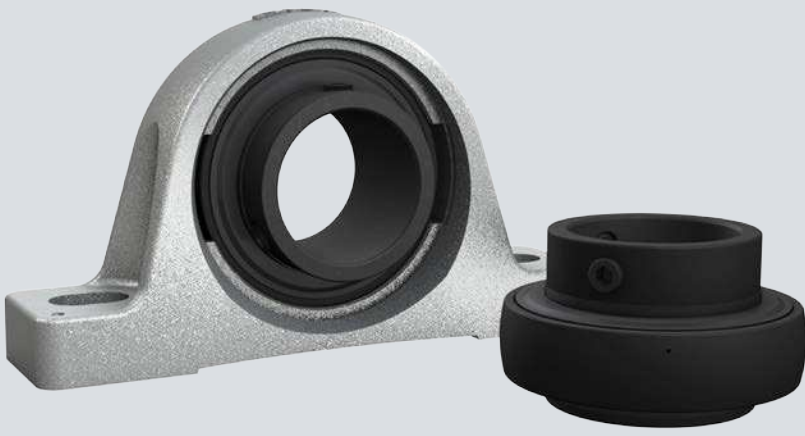
Dimensions

Abutment and fillet dimensions

Calculation factors

d	d_1 ≈	d_2	D_1 ≈	D_2	D_3	B_1	b	C	r_0	$r_{1,2}$ min.	d_a, d_b min.	d_b max.	D_a max.	r_a max.	k_r	f_0
mm											mm			-		
15	21,7	19,5	30,4	34,46	33,17	17,2	1,35	2,06	0,4	0,6	19	19,4	31	0,6	0,025	13
	21,7	19,5	30,4	34,46	33,17	17,2	1,35	2,06	0,4	0,6	19	19,4	31	0,6	0,025	13
20	28,8	28,69	40,6	46,56	44,6	20,2	1,35	2,46	0,4	1	25	28,6	42	1	0,025	13
	28,8	28,69	40,6	46,56	44,6	20,2	1,35	2,46	0,4	1	25	28,6	42	1	0,025	13
25	34,3	31,6	46,3	51,46	49,73	21,2	1,35	2,46	0,4	1	30	31,3	47	1	0,025	14
	34,3	31,6	46,3	51,46	49,73	21,2	1,35	2,46	0,4	1	30	31,3	47	1	0,025	14
30	40,3	37,4	54,1	58,1	59,61	22,2	1,9	3,28	0,6	1	35	40	57	1	0,025	14
	40,3	37,4	54,1	58,1	59,61	22,2	1,9	3,28	0,6	1	35	40	57	1	0,025	14
40	52,6	48	69,8	75,06	76,81	24,2	1,9	3,28	0,6	1,1	46,5	47,4	73	1	0,025	14
	52,6	48	69,8	75,06	76,81	24,2	1,9	3,28	0,6	1,1	46,5	47,4	73	1	0,025	14
45	57,6	53	75,2	78,86	81,81	25,2	1,9	3,28	0,6	1,1	52	52	78	1	0,025	14
	57,6	53	75,2	78,86	81,81	25,2	1,9	3,28	0,6	1,1	52	52	78	1	0,025	14





18

High temperature bearings



18 High temperature bearings

Deep groove ball bearings for high temperature applications	1008
Designs and variants	1008
Sealing solutions.	1008
Insert bearings for high temperature applications.	1010
Designs and variants	1010
Sealing solutions.	1011
Bearing data	1011
(Dimension standards, tolerances, radial internal clearance, permissible misalignment, stabilization)	
Loads and selecting bearing size	1012
Design considerations	1013
Location of bearings	1013
Operating environment	1013
Axial displacement	1013
Relubrication and running in.	1014
Mounting	1014
Designation system	1014
Product tables	
18.1 Single row deep groove ball bearings for high temperature applications.	1016
18.2 Insert bearings for high temperature applications, metric shafts	1020
18.3 Insert bearings for high temperature applications, inch shafts	1021

18 High temperature bearings

More information

General bearing knowledge	17
Bearing selection process	59
Bearing interfaces	139
Seat tolerances for standard conditions	148
Sealing, mounting and dismounting	193

Mounting instructions for individual bearings → skf.com/mount

SKF bearing maintenance handbook ISBN 978-91-978966-4-1

SKF high temperature bearings are designed to deliver increased reliability, reduced complexity and decreased environmental impact in operating temperatures up to 350 °C (660 °F). Because SKF high temperature bearings correspond to the ISO dimensions of grease-lubricated bearings, production efficiencies and cost savings can be realized with a simple change to the SKF bearing solution.

The environmental benefits of SKF high temperature bearings are so significant in many applications that they are included in the “SKF Beyond Zero” product portfolio.

Bearing benefits and features

- **Reduced total operating cost**
The bearings are designed to maintain the radial clearance needed for high temperature operation and so will not seize, even

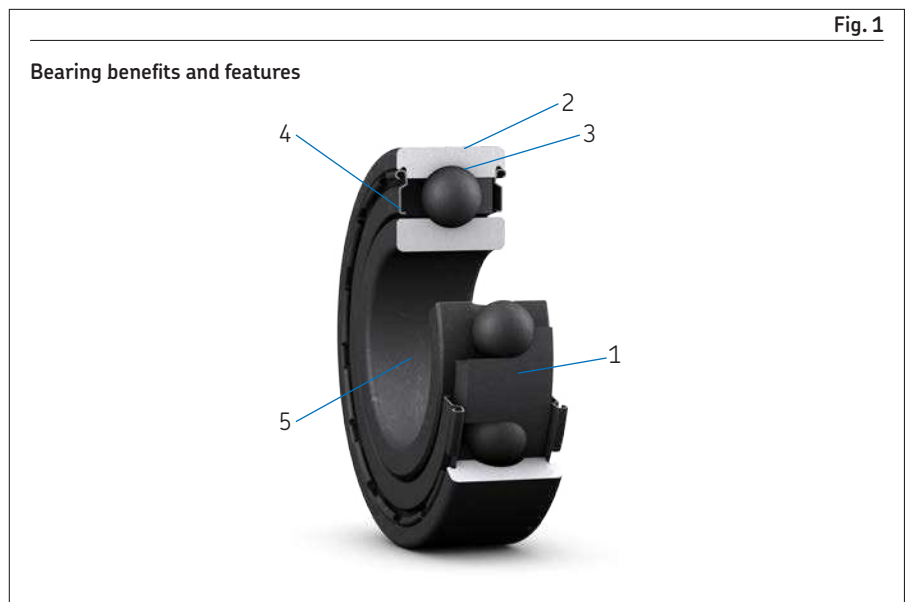
when they cool rapidly, and therefore provide a long service life.

- **Excellent performance under severe conditions:**
 - hot conditions
 - dry environments
 - low rotational speeds
- **Reduced environmental impact**
- **Reduced machine design complexity**

Additionally, the benefits and features of high temperature bearings include (fig. 1):

1 No need for relubrication

All variants, except open (without shields) VA201 deep groove ball bearings, are lubricated for the life of the bearing with graphite-based high temperature lubricants. Open VA201 bearings require relubrication (*Relubrication and running in*, page 1014).



2 Simple replacement

The boundary dimensions are the same as those of standard bearings.

3 Operating temperature up to 350 °C (660 °F)

The internal radial clearance and the lubricant are optimized for operation at high temperatures.

4 Protection against solid contamination

- Shields (designation suffix 2Z) protect the deep groove ball bearing.
- Shields and flingers (designation suffix 2F) protect the insert bearing.

5 Improved running in

The entire bearing surface is manganese phosphate coated.

Lubrication solutions

SKF high temperature bearing designs and variants incorporate various graphite-based lubrication solutions, including:

- lubricating paste composed of a poly-alkylene glycol/graphite mixture
- graphite cages (segmented or coronet)

For an overview of lubricant types, and other characteristics, for high temperature deep groove ball bearings and insert bearings, refer to [table 1, page 1009](#), and [table 2, page 1010](#).

During operation, the graphite maintains a very thin film on the bearing's raceways and rolling elements to reduce wear significantly. Graphite ages at a much higher temperature than oil and grease, and therefore does not lose its lubricating properties at the high temperatures at which it is recommended for use, so the need for relubrication is eliminated.

With many variants, all surfaces of the bearing and, where applicable, shields and flingers are manganese phosphate coated to enhance adhesion of the lubricant to the metal and provide some protection against corrosion.

Typical applications

- metals industry (cooling beds, roller tables, furnaces)
- food and beverage industry (continuous baking ovens, wafer baking ovens)
- automotive industry (paint lines, heat treatment ovens)
- glass industry (glass tableware or flat glass manufacturing processes)
- construction industry (tiles, mineral wool manufacturing)

Assortment

The SKF standard assortment of high temperature bearings and bearing units corresponding to ISO standards includes:

- Deep groove ball bearings ([fig. 2](#))
- Insert bearings (Y-bearings, [fig. 3](#))
- Ball bearing units ([fig. 4](#), skf.com/go/17000-18)
 - Zinc chromate plummer block units
 - Zinc chromate square flanged units
 - Zinc chromate oval flanged units

The assortment includes variants that contain food-grade lubricants registered by NSF as category H1 (lubricant acceptable with incidental food contact, for use in and around food processing areas). The NSF registration confirms the lubricant fulfils the requirements listed in the US Food and Drug Administration's guidelines under 21 CFR section 178.3570.

Customized bearings

In addition to high temperature bearings corresponding to ISO standards, SKF offers an assortment of customized high temperature bearings ([fig. 5, page 1008](#)).

These bearings are customized for use in applications such as:

- automatic wafer baking ovens in the food and beverage industry
- industrial furnaces
- chains

For additional information, contact SKF.

Fig. 2

Deep groove ball bearing



Fig. 3

Insert bearing



Fig. 4

Ball bearing unit



Deep groove ball bearings for high temperature applications

SKF deep groove ball bearings for high temperature applications correspond in design to standard single row deep groove ball bearings of the same size. They have no filling slots and can accommodate axial loads in addition to radial loads (*Loads and selecting bearing size*, [page 1012](#)).

The entire surface of the bearing and shields are manganese phosphate coated to enhance adhesion of the lubricant to the metal and improve the running-in properties of the bearing.

The radial internal clearance is a multiple of C5 to prevent the bearings from seizing, even when they cool rapidly.

Designs and variants

The SKF assortment of deep groove ball bearings for high temperature applications ([fig. 6](#)) provides solutions for various combinations of operating temperature and speed.

The lubrication type, maximum operating temperature, limiting speed, maintenance requirements and all other primary characteristics of the variants within the assortment are listed in [table 1](#).

Sealing solutions

High temperature deep groove ball bearings can be protected from contamination by either integrated shields, external shields or a combination of both.

For high temperature bearings, metallic shields are the primary recommendation where a capping device with low complexity is required. The shields:

- prevent the ingress of solid contaminants into the bearing
- are non-contacting
- generate no friction
- do not wear
- are particularly well suited for high temperatures because of their material and design

Integrated shields

High temperature deep groove ball bearings with designation suffix 2Z have integrated shields, but the VA201 variant is also available as an open bearing ([fig. 6](#)).

External shields

In some cases, integrated shields are insufficient and additional external shields should be considered, such as:

- Nilos rings ([fig. 7](#))
- SKF sealing washers ([fig. 8](#))

For additional information about sealing solutions, refer to *External sealing*, [page 194](#), and *Seals* ([skf.com/seals](#)).

NOTE: Because of the large radial clearance for high temperature deep groove ball bearings, special attention should be given to the design of the sealing arrangement.

Custom-made seals

In cases where neither integrated nor external shields are applicable, SKF can provide custom-made seals for operating temperatures up to 250 °C (480 °F). These seals are usually made of PTFE (polytetrafluoroethylene) thermoplastics.

To further improve sealing systems that incorporate custom-made seals, it is preferable to use a wear sleeve such as the *SKF Speedi-Sleeve* ([skf.com/seals](#)). This improves the seal counterface condition without the need for re-machining. For additional information, contact SKF.

Fig. 5

Customized deep groove ball bearings



⚠ WARNING

PTFE seals exposed to an open flame or temperatures above 300 °C (570 °F) are a health and environmental hazard! They remain dangerous even after they have cooled.

Read and follow the safety precautions on [page 197](#).

Fig. 6

High temperature deep groove ball bearing variants

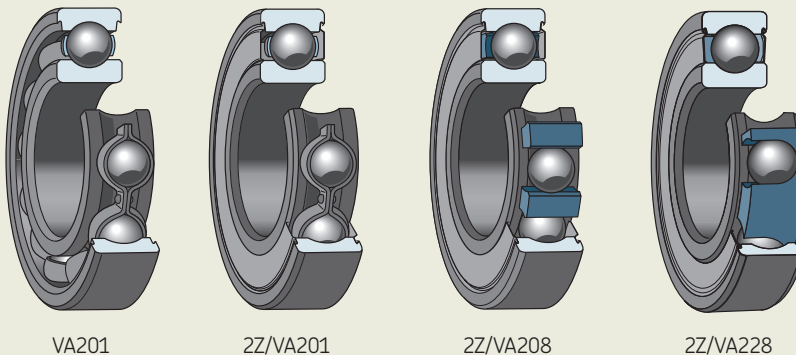


Table 1

Characteristics of high temperature variants for deep groove ball bearings

Characteristics	Variants		
	VA201, 2Z/VA201	2Z/VA208	2Z/VA228
Lubrication type	Polyalkylene glycol/graphite mixture	Segmented cage made of graphite	Coronet cage made of graphite
Phosphated rings, rolling elements and cages	✓	✓	✓
NSF H1 food grade	✗	✓	✓
Shields (suffix 2Z)	optional	✓	✓
Relubrication-free	2Z variant	✓	✓
Maximum operating temperature	250 °C (480 °F)	350 °C (660 °F)	350 °C (660 °F)
Limiting speed [r/min] ¹⁾	4 500 / d _m	4 500 / d _m	9 000 / d _m

¹⁾ d_m = bearing mean diameter = 0,5 (d + D). For outer ring rotation, use d_m = D.

Fig. 7

Nilos ring

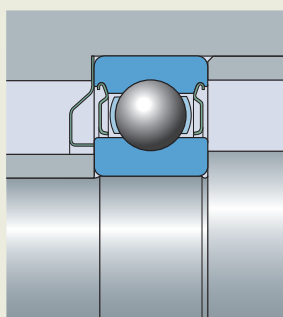
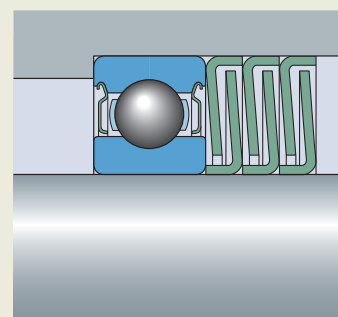


Fig. 8

SKF sealing washers



Insert bearings for high temperature applications

Except for the cage and seals, SKF insert bearings (Y-bearings) for high temperature applications correspond in design to standard insert bearings with grub screws in the YAR 2-2F series (page 342).

The grub (set) screws in the inner ring enable quick and easy mounting/dismounting. The bearings have a shield and a flinger on both sides to prevent the ingress of solid contaminants into the bearing.

The entire surface of the bearing and the shields are manganese phosphated to enhance adhesion of the lubricant to the metal and improve the running-in properties of the bearing. The flingers are treated by pickling.

The radial internal clearance is a multiple of C5 to prevent the bearings from seizing, even when they cool rapidly.

Designs and variants

The SKF assortment of insert bearings for high temperature applications (fig. 9) provides solutions for various combinations of operating temperature and speed.

The lubrication type, maximum operating temperature, limiting speed, maintenance requirements and all other primary characteristics of the variants within the assortment are listed in table 2.

Fig. 9

High temperature insert bearing variants

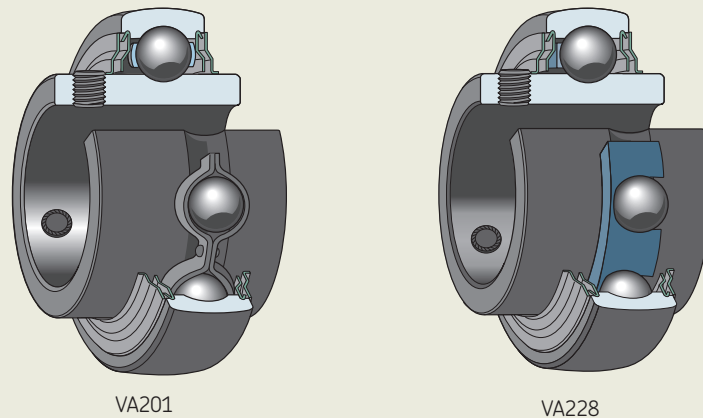


Table 2

Characteristics of high temperature variants for insert bearings

Characteristics	Variants VA201	VA228
Lubrication type	Polyalkylene glycol/ graphite mixture	Coronet cage made of graphite
Phosphated rings, rolling elements and cages	✓	✓
NSF H1 food grade	✗	✓
Shields and flingers (suffix 2F)	✓	✓
Relubrication-free	✓	✓
Maximum operating temperature	250 °C (480 °F)	350 °C (660 °F)
Limiting speed [r/min] ¹⁾	4 500 / d _m	9 000 / d _m

¹⁾ d_m = bearing mean diameter = 0,5 (d + D). For outer ring rotation, use d_m = D.

Sealing solutions

SKF high temperature insert bearings are capped on both sides with a shield and a flinger that create a narrow gap-type labyrinth seal (designation suffix 2F).

For high temperature bearings, metallic shields are the primary recommendation where a capping device with low complexity is required. The shields:

- prevent the ingress of solid contaminants into the bearing
- are non-contacting
- generate no friction
- do not wear
- are particularly well suited for high temperatures because of their material and design

Bearing data

	Deep groove ball bearings	Insert bearings (Y-bearings)
Dimension standards	Boundary dimensions: ISO 15 Series 10, 02, 03	Boundary dimensions: ISO 9628
Tolerances	Normal	Normal, except the bore and outside diameter (table 3, page 1012)
For additional information → page 35	Values: ISO 492 (table 2, page 1010) Owing to the special surface treatment of the bearings, there may be slight deviations from the standard tolerances. These deviations do not affect mounting or bearing operation.	
Radial internal clearance	Multiples of C5 Values (table 4, page 1012) are valid for unmounted bearings under zero measuring load.	
Permissible misalignment	≈ 20 to 30 minutes of arc Accommodate misalignment only when the bearings rotate slowly. Misalignment increases bearing noise and reduces bearing service life, and when it exceeds the guideline values, these effects become particularly noticeable.	
Stabilization	120 °C (250 °F)	150 °C (300 °F)
	The rings, rolling elements and cages of SKF high temperature bearings undergo the same heat stabilization process as the relevant standard bearing. As a result, for higher operating temperatures, a certain amount of dimensional change is to be expected. Greater clearances accommodate temperature differentials and material structural changes.	



Loads and selecting bearing size

The bearing size is selected based on the basic static load rating C_0 from the relevant product table.

For an equivalent static bearing load P_0 , the selected bearing must have a C_0 value \geq the value of the requisite basic static load rating C_{0req} (table 5).

The values in table 5 are valid only when $P_0 = F_r$. That is, when:

- $F_a < 0,8 F_r$
- $F_a < 0,15 C_0$

Symbols

- C_0 basic static load rating [kN] (product tables, page 1016 and page 1020)
- C_{0req} requisite basic static load rating [kN]
- F_a axial load [kN]
- F_r radial load [kN]
- P_0 equivalent static bearing load [kN]

Table 3

Tolerances of insert bearings for high temperature applications

Nominal diameter d, D		Bore diameter ¹⁾ Deviation		Outside diameter Deviation	
>	≤	U	L	U	L
mm		μm		μm	
18	30	+18	0	–	–
30	50	+21	0	0	–10
50	80	+24	0	0	–10
80	120	+28	0	0	–15

¹⁾ Values in accordance with ISO 9628.

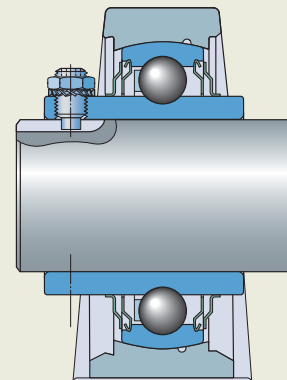
Table 4

Radial internal clearance for high temperature bearings

Bore diameter		Radial internal clearance Deep groove ball bearings Multiples of C5		Insert bearings	
d	≤	min.	max.	min.	max.
mm		μm			
–	10	96	136	–	–
10	18	112	160	–	–
18	24	124	172	56	96
24	30	136	192	60	106
30	40	172	236	80	128
40	50	192	272	90	146
50	65	230	340	110	180
65	80	270	400	–	–
80	100	320	460	–	–
100	120	370	540	–	–

Fig. 10

Grub screw secured by a nut and a star lock washer



Design considerations

Location of bearings

Deep groove ball bearings

The selection of shaft and housing fits depends on the bearing operating condition and bearing size. An appropriate fit is needed to locate the shaft, provide satisfactory support and allow for thermal expansion up to the stated maximum operating bearing temperature (table 6).

Insert bearings

For moderate loads ($0,035 C < P \leq 0,05 C$), the shaft seats should be machined to an h7Ⓔ tolerance. For light loads and low speeds, an h8Ⓔ shaft tolerance is sufficient.

Symbols

- C basic dynamic load rating [kN] (page 1012)
- P equivalent dynamic bearing load [kN] (Loads for standard insert bearings, page 353)

Operating environment

SKF high temperature bearings are designed to provide solutions to common issues in high temperature applications. In addition to operations involving high temperatures and low rotational speeds, it is important to consider environmental conditions in the process area.

Since high temperature bearings are supplied without preservative oils and must be used without grease or oil lubrication, the anti-corrosion property of the bearings is limited. Therefore, the bearings should be used in a dry environment or with a proper sealing solution to keep the bearings dry.

Axial displacement

To accommodate axial displacement, the shaft at the non-locating bearing position of high temperature insert bearings should be provided with one or two grooves, 120° apart, to engage a modified grub screw:

- Hexagon socket grub (set) screws with a dog point, in accordance with ISO 4028, but with a fine thread according to table 10, page 357. The grub screw should be secured by a nut and a spring or star lock washer (fig. 10).

The screws and groove(s) accommodate changes in shaft length and prevent the shaft from turning independently of the bearing. The sliding surfaces between the shaft and inner ring and those in the shaft grooves should be coated with a lubricant paste suitable for the operating temperature.

Table 5

Requisite basic static load rating for applied equivalent static bearing load

Equivalent static bearing load P_0

Requisite basic static load rating C_{0req} for operating temperatures up to 250 °C (480 °F) 350 °C (660 °F)

kN	kN	
2	6	9
4	11	18
6	16	27
8	22	36
10	27	45
15	40	67
20	54	90
25	67	120
30	80	140
40	110	180
50	140	230
60	160	270
70	190	320
80	220	360
90	240	400
100	270	450
125	340	560
150	400	670
200	540	890
300	800	1 400
400	1 100	1 800
500	1 400	2 300
600	1 600	–



Table 6

Fits for high temperature deep groove ball bearings on solid steel shafts or in cast iron or steel housings

Conditions	Shaft diameter	Shaft tolerance	Housing tolerance
–	mm	–	–
Rotating inner ring load	all	k6	F7
Stationary inner ring load	all	g6	J7

Relubrication and running in

Relubrication

All SKF high temperature bearings are lubricated for the life of the bearing, except open VA201 deep groove ball bearings, which require relubrication.

The general recommendation for an open VA201 bearing is to investigate the quality of the lubricating paste in the bearing every six months. If there is no longer a film of dry lubricant on the raceways, indicated by a bright metallic shiny track, remove residues of the old lubricant with a solvent and, when dried, replenish the bearing with lubricating paste.

Running in

VA201 bearings operating at temperatures below 200 °C (390 °F) and at speeds below 25% of the limiting speed ([product tables](#), [page 1016](#) and [page 1020](#)) require running in. Open VA201 deep groove ball bearings operating under these conditions also require running in after relubrication.

Running in requires the bearing to be operated at a temperature of at least 200 °C (390 °F) for a minimum of 48 hours.

Mounting

SKF high temperature deep groove ball bearings should always be hot mounted to reduce the mounting force and the risk of breaking the graphite lubricant (VA208 and VA228 variants). An induction heater is the preferred choice to heat the bearing during mounting.

Submerging the bearing in hot oil is not recommended because the oil remaining in the bearing might carbonize later during operation.

Do not use impact mounting methods that could damage the bearing and prevent proper functionality.

Designation system

Refer to the *Designation system* of the relevant standard bearing:

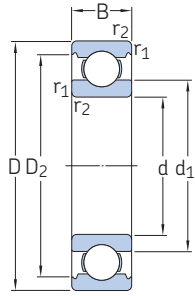
- deep groove ball bearings, [page 258](#)
- insert bearings, [page 364](#)

Designation suffixes used with SKF bearings for high temperature applications are explained in the following:

- 2F** Insert bearing for high temperature applications, with grub screw locking, shield and flinger on both sides
- 2Z** Deep groove ball bearing for high temperature applications, shield on both sides
- VA201** Bearing for high temperature applications, with a stamped steel cage, manganese phosphate coated rings and rolling elements, radial clearance of multiples of C5, and lubricated with a polyalkylene glycol/graphite mixture
- VA208** Bearing for high temperature applications, with a segmented cage made of graphite, manganese phosphate coated rings and rolling elements, and radial clearance of multiples of C5
- VA228** Bearing for high temperature applications, with a coronet cage made of graphite, manganese phosphate coated rings and rolling elements, and radial clearance of multiples of C5
- W** Insert bearing for high temperature applications, without lubrication hole(s)



18.1 Single row deep groove ball bearings for high temperature applications
d 12 – 55 mm



VA201



2Z/VA201



2Z/VA208



2Z/VA228

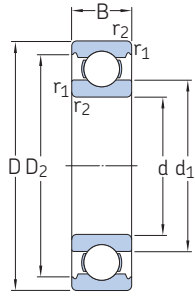
Dimensions						Basic static load rating	Limiting speed	Limiting temperature	Mass	Designation	
d	D	B	d ₁	D ₂	r _{1,2} min.	C ₀		T max.			
mm						kN	r/min	°C	kg	–	
12	32	10	18,4	27,4	0,6	3,1	400	250	0,037	6201/VA201	
	32	10	18,4	27,4	0,6	3,1	200	250	0,039	▶ 6201-2Z/VA201	
	32	10	18,4	27,4	0,6	3,1	400	350	0,039	▶ 6201-2Z/VA228	
15	35	11	21,7	30,4	0,6	3,75	360	250	0,045	▶ 6202/VA201	
	35	11	21,7	30,4	0,6	3,75	180	250	0,048	▶ 6202-2Z/VA201	
	35	11	21,7	30,4	0,6	3,75	360	350	0,048	▶ 6202-2Z/VA228	
17	35	10	23	31,2	0,3	3,25	340	250	0,038	6003/VA201	
	35	10	23	31,2	0,3	3,25	170	250	0,041	6003-2Z/VA201	
	35	10	23	31,2	0,3	3,25	170	350	0,041	6003-2Z/VA208	
	40	12	24,5	35	0,6	4,75	310	250	0,065	6203/VA201	
	40	12	24,5	35	0,6	4,75	150	250	0,068	6203-2Z/VA201	
	40	12	24,5	35	0,6	4,75	310	350	0,068	▶ 6203-2Z/VA228	
	47	14	26,5	39,6	1	6,55	280	250	0,11	6303/VA201	
	47	14	26,5	39,6	1	6,55	280	350	0,12	6303-2Z/VA228	
	20	42	12	27,2	37,2	0,6	5	290	250	0,067	6004/VA201
42		12	27,2	37,2	0,6	5	140	250	0,071	6004-2Z/VA201	
42		12	27,2	37,2	0,6	5	140	350	0,071	▶ 6004-2Z/VA208	
	47	14	28,8	40,6	1	6,55	260	250	0,031	▶ 6204/VA201	
	47	14	28,8	40,6	1	6,55	130	250	0,11	▶ 6204-2Z/VA201	
	47	14	28,8	40,6	1	6,55	260	350	0,11	▶ 6204-2Z/VA228	
	52	15	30,3	44,8	1,1	7,8	250	250	0,14	▶ 6304/VA201	
	52	15	30,3	44,8	1,1	7,8	120	250	0,15	6304-2Z/VA201	
	52	15	30,3	44,8	1,1	7,8	120	350	0,15	▶ 6304-2Z/VA208	
	52	15	30,3	44,8	1,1	7,8	250	350	0,15	6304-2Z/VA228	
	25	47	12	32	42,2	0,6	6,55	250	250	0,078	6005/VA201
		47	12	32	42,2	0,6	6,55	120	250	0,083	▶ 6005-2Z/VA201
47		12	32	42,2	0,6	6,55	120	350	0,083	▶ 6005-2Z/VA208	
	52	15	34,3	46,3	1	7,8	230	250	0,13	▶ 6205/VA201	
	52	15	34,3	46,3	1	7,8	110	250	0,13	▶ 6205-2Z/VA201	
	52	15	34,3	46,3	1	7,8	110	350	0,13	6205-2Z/VA208	
	52	15	34,3	46,3	1	7,8	230	350	0,13	▶ 6205-2Z/VA228	
	62	17	36,6	52,7	1,1	11,6	200	250	0,23	6305/VA201	
	62	17	36,6	52,7	1,1	11,6	100	250	0,23	6305-2Z/VA201	
	62	17	36,6	52,7	1,1	11,6	100	350	0,23	▶ 6305-2Z/VA208	
	62	17	36,6	52,7	1,1	11,6	200	350	0,23	▶ 6305-2Z/VA228	

▶ Popular item

Dimensions						Basic static load rating	Limiting speed	Limiting temperature	Mass	Designation	
d	D	B	d ₁ ≈	D ₂ ≈	r _{1,2} min.	C ₀		T max.			
mm						kN	r/min	°C	kg	–	
30	55	13	38,2	49	1	8,3	100	350	0,12	▶ 6006-2Z/VA208	
	62	16	40,3	54,1	1	11,2	190	250	0,2	▶ 6206/VA201	
	62	16	40,3	54,1	1	11,2	90	250	0,21	▶ 6206-2Z/VA201	
	62	16	40,3	54,1	1	11,2	90	350	0,21	▶ 6206-2Z/VA208	
	62	16	40,3	54,1	1	11,2	190	350	0,21	▶ 6206-2Z/VA228	
	72	19	44,6	61,9	1,1	16	170	250	0,35	6306/VA201	
	72	19	44,6	61,9	1,1	16	80	350	0,36	▶ 6306-2Z/VA208	
	72	19	44,6	61,9	1,1	16	170	350	0,36	6306-2Z/VA228	
	35	72	17	46,9	62,7	1,1	15,3	160	250	0,29	▶ 6207/VA201
		72	17	46,9	62,7	1,1	15,3	80	250	0,3	6207-2Z/VA201
72		17	46,9	62,7	1,1	15,3	80	350	0,3	▶ 6207-2Z/VA208	
72		17	46,9	62,7	1,1	15,3	160	350	0,3	▶ 6207-2Z/VA228	
80		21	49,5	69,2	1,5	19	150	250	0,46	6307/VA201	
80		21	49,5	69,2	1,5	19	70	350	0,48	▶ 6307-2Z/VA208	
40		68	15	49,2	61,1	1	11	80	350	0,2	▶ 6008-2Z/VA208
		80	18	52,6	69,8	1,1	19	150	250	0,37	6208/VA201
		80	18	52,6	69,8	1,1	19	70	250	0,38	▶ 6208-2Z/VA201
		80	18	52,6	69,8	1,1	19	70	350	0,38	▶ 6208-2Z/VA208
	80	18	52,6	69,8	1,1	19	150	350	0,38	▶ 6208-2Z/VA228	
	90	23	56,1	77,7	1,5	24	130	250	0,63	6308/VA201	
	90	23	56,1	77,7	1,5	24	60	250	0,65	6308-2Z/VA201	
	90	23	56,1	77,7	1,5	24	60	350	0,65	▶ 6308-2Z/VA208	
	90	23	56,1	77,7	1,5	24	130	350	0,65	6308-2Z/VA228	
	45	85	19	57,6	75,2	1,1	21,6	130	250	0,42	▶ 6209/VA201
85		19	57,6	75,2	1,1	21,6	60	250	0,43	6209-2Z/VA201	
85		19	57,6	75,2	1,1	21,6	60	350	0,43	▶ 6209-2Z/VA208	
85		19	57,6	75,2	1,1	21,6	130	350	0,43	6209-2Z/VA228	
100		25	62,1	86,7	1,5	31,5	120	250	0,84	6309/VA201	
100		25	62,1	86,7	1,5	31,5	60	350	0,87	6309-2Z/VA208	
50		80	16	59,7	72,8	1	15,6	60	350	0,27	6010-2Z/VA208
		90	20	62,5	81,7	1,1	23,2	120	250	0,45	▶ 6210/VA201
		90	20	62,5	81,7	1,1	23,2	60	250	0,47	6210-2Z/VA201
		90	20	62,5	81,7	1,1	23,2	60	350	0,47	▶ 6210-2Z/VA208
	90	20	62,5	81,7	1,1	23,2	120	350	0,47	▶ 6210-2Z/VA228	
	110	27	68,7	95,2	2	38	110	250	1,1	6310/VA201	
	110	27	68,7	95,2	2	38	50	250	1,1	6310-2Z/VA201	
	110	27	68,7	95,2	2	38	50	350	1,1	▶ 6310-2Z/VA208	
	110	27	68,7	95,2	2	38	110	350	1,1	6310-2Z/VA228	
	55	90	18	66,3	81,5	1,1	21,2	60	350	0,4	6011-2Z/VA208
100		21	69	89,4	1,5	29	110	250	0,61	▶ 6211/VA201	
100		21	69	89,4	1,5	29	50	250	0,64	6211-2Z/VA201	
100		21	69	89,4	1,5	29	50	350	0,64	▶ 6211-2Z/VA208	
100		21	69	89,4	1,5	29	110	350	0,64	6211-2Z/VA228	
120		29	75,3	104	2	45	100	250	1,35	6311/VA201	
120		29	75,3	104	2	45	50	250	1,4	6311-2Z/VA201	
120		29	75,3	104	2	45	50	350	1,4	6311-2Z/VA208	
120		29	75,3	104	2	45	100	350	1,4	6311-2Z/VA228	



18.1 Single row deep groove ball bearings for high temperature applications d 60 – 120 mm



VA201



2Z/VA201



2Z/VA208



2Z/VA228

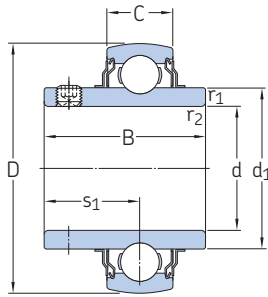
Dimensions						Basic static load rating	Limiting speed	Limiting temperature	Mass	Designation	
d	D	B	d ₁	D ₂	r _{1,2} min.	C ₀		T max.			
mm						kN	r/min	°C	kg	–	
60	110	22	75,5	98	1,5	36	100	250	0,78	▶ 6212/VA201	
	110	22	75,5	98	1,5	36	50	250	0,81	6212-2Z/VA201	
	110	22	75,5	98	1,5	36	50	350	0,81	▶ 6212-2Z/VA208	
	110	22	75,5	98	1,5	36	100	350	0,81	6212-2Z/VA228	
	130	31	81,8	113	2,1	52	90	250	1,7	6312/VA201	
	130	31	81,8	113	2,1	52	40	350	1,8	6312-2Z/VA208	
	130	31	81,8	113	2,1	52	90	350	1,8	6312-2Z/VA228	
	65	120	23	83,3	106	1,5	40,5	90	250	1	▶ 6213/VA201
		120	23	83,3	106	1,5	40,5	40	250	1,05	6213-2Z/VA201
		120	23	83,3	106	1,5	40,5	40	350	1,05	6213-2Z/VA208
		120	23	83,3	106	1,5	40,5	90	350	1,05	6213-2Z/VA228
		140	33	88,3	122	2,1	60	80	250	2,1	6313/VA201
140		33	88,3	122	2,1	60	40	250	2,2	6313-2Z/VA201	
140		33	88,3	122	2,1	60	40	350	2,2	6313-2Z/VA208	
140		33	88,3	122	2,1	60	80	350	2,2	6313-2Z/VA228	
70		125	24	87	111	1,5	45	90	250	1,1	6214/VA201
		125	24	87	111	1,5	45	40	250	1,15	6214-2Z/VA201
		125	24	87	111	1,5	45	40	350	1,15	▶ 6214-2Z/VA208
		125	24	87	111	1,5	45	90	350	1,15	6214-2Z/VA228
	150	35	94,9	130	2,1	68	80	250	2,55	6314/VA201	
	150	35	94,9	130	2,1	68	40	350	2,65	6314-2Z/VA208	
	75	130	25	92	117	1,5	49	80	250	1,2	▶ 6215/VA201
		130	25	92	117	1,5	49	40	250	1,25	6215-2Z/VA201
		130	25	92	117	1,5	49	40	350	1,25	6215-2Z/VA208
		130	25	92	117	1,5	49	80	350	1,25	6215-2Z/VA228
		160	37	101	139	2,1	76,5	70	250	3,05	6315/VA201
		160	37	101	139	2,1	76,5	30	350	3,15	6315-2Z/VA208
80		140	26	101	127	2	55	40	350	1,55	6216-2Z/VA208
		170	39	108	147	2,1	86,5	30	350	3,75	6316-2Z/VA208
85		150	28	106	135	2	64	70	250	1,8	6217/VA201
		150	28	106	135	2	64	30	350	1,9	6217-2Z/VA208
90		160	30	112	143	2	73,5	70	350	2,3	6218-2Z/VA228

▶ Popular item

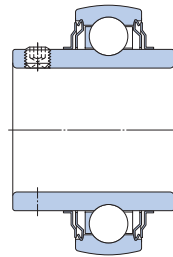
Dimensions						Basic static load rating	Limiting speed	Limiting temperature	Mass	Designation
d	D	B	d ₁ ≈	D ₂ ≈	r _{1,2} min.	C ₀		T max.		
mm						kN	r/min	°C	kg	–
95	170	32	118	152	2,1	81,5	60	250	2,6	▶ 6219/VA201 ▶ 6219-2Z/VA201 ▶ 6219-2Z/VA228
	170	32	118	152	2,1	81,5	30	250	2,7	
	170	32	118	152	2,1	81,5	60	350	2,7	
100	150	24	115	139	1,5	54	30	350	1,35	6020-2Z/VA208 6220/VA201 6220-2Z/VA208 6220-2Z/VA228
	180	34	124	160	2,1	93	60	250	3,15	
	180	34	124	160	2,1	93	30	350	3,25	
	180	34	124	160	2,1	93	60	350	3,25	
	180	34	124	160	2,1	93	60	350	3,25	
110	170	28	129	156	2	73,5	30	350	2,05	6022-2Z/VA208
120	180	28	139	166	2	80	30	350	2,2	6024-2Z/VA208



18.2 Insert bearings for high temperature applications, metric shafts d 20 – 60 mm



VA201



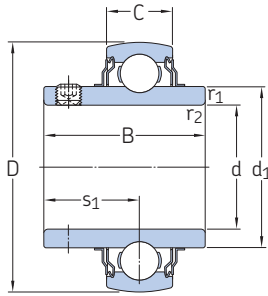
VA228

Dimensions							Basic load ratings		Limiting speed	Limiting temperature	Mass	Designation
d	D	B	C	d ₁	s ₁	r _{1,2} min.	C	C ₀				
mm							kN	r/min	°C	kg	–	
20	47	31	14	28,2	18,3	0,6	12,7	6,55	130	250	0,14	YAR 204-2FW/VA201
	47	31	14	28,2	18,3	0,6	12,7	6,55	260	350	0,14	▶ YAR 204-2FW/VA228
25	52	34,1	15	33,7	19,8	0,6	14	7,8	110	250	0,17	YAR 205-2FW/VA201
	52	34,1	15	33,7	19,8	0,6	14	7,8	230	350	0,17	YAR 205-2FW/VA228
30	62	38,1	18	39,7	22,2	0,6	19,5	11,2	90	250	0,28	YAR 206-2FW/VA201
	62	38,1	18	39,7	22,2	0,6	19,5	11,2	190	350	0,28	▶ YAR 206-2FW/VA228
35	72	42,9	19	46,1	25,4	1	25,5	15,3	80	250	0,41	YAR 207-2FW/VA201
	72	42,9	19	46,1	25,4	1	25,5	15,3	160	350	0,41	YAR 207-2FW/VA228
40	80	49,2	21	51,8	30,2	1	30,7	19	70	250	0,55	YAR 208-2FW/VA201
	80	49,2	21	51,8	30,2	1	30,7	19	150	350	0,55	YAR 208-2FW/VA228
45	85	49,2	22	56,8	30,2	1	33,2	21,6	60	250	0,6	YAR 209-2FW/VA201
	85	49,2	22	56,8	30,2	1	33,2	21,6	130	350	0,6	YAR 209-2FW/VA228
50	90	51,6	22	62,5	32,6	1	35,1	23,2	60	250	0,69	YAR 210-2FW/VA201
	90	51,6	22	62,5	32,6	1	35,1	23,2	120	350	0,69	YAR 210-2FW/VA228
55	100	55,6	25	69	33,4	1	43,6	29	50	250	0,94	YAR 211-2FW/VA201
	100	55,6	25	69	33,4	1	43,6	29	110	350	0,94	YAR 211-2FW/VA228
60	110	65,1	26	75,6	39,7	1,5	52,7	36	50	250	1,35	YAR 212-2FW/VA201
	110	65,1	26	75,6	39,7	1,5	52,7	36	100	350	1,35	YAR 212-2FW/VA228

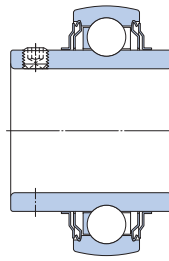
▶ Popular item

18.3 Insert bearings for high temperature applications, inch shafts

d $\frac{3}{4}$ – $2 \frac{15}{16}$ in.
19,05 – 74,613 mm



VA201

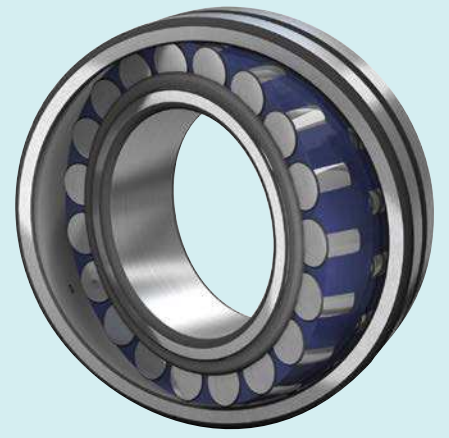
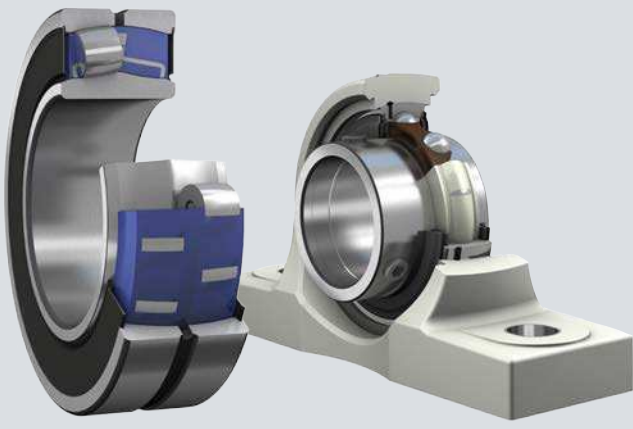


VA228

Dimensions							Basic load ratings		Limiting speed	Limiting temperature	Mass	Designation
d	D	B	C	d ₁	s ₁	r _{1,2} min.	C	C ₀				
in./mm	mm						kN		r/min	°C		
$\frac{3}{4}$ 19,05	47	31	14	28,2	18,3	0,6	12,7	6,55	130	250	0,17	YAR 204-012-2FW/VA201
	47	31	14	28,2	18,3	0,6	12,7	6,55	270	350	0,17	▶ YAR 204-012-2FW/VA228
1 25,4	52	34,1	15	33,7	19,8	0,6	14	7,8	110	250	0,19	YAR 205-100-2FW/VA201
	52	34,1	15	33,7	19,8	0,6	14	7,8	230	350	0,19	▶ YAR 205-100-2FW/VA228
1 $\frac{3}{16}$ 30,163	62	38,1	18	39,7	22,2	0,6	19,5	11,2	90	250	0,31	YAR 206-103-2FW/VA201
	62	38,1	18	39,7	22,2	0,6	19,5	11,2	190	350	0,31	▶ YAR 206-103-2FW/VA228
1 $\frac{1}{4}$ 31,75	72	42,9	19	46,1	25,4	1	25,5	15,3	80	250	0,52	YAR 207-104-2FW/VA201
	72	42,9	19	46,1	25,4	1	25,5	15,3	170	350	0,52	YAR 207-104-2FW/VA228
1 $\frac{3}{8}$ 34,925	72	42,9	19	46,1	25,4	1	25,5	15,3	80	250	0,46	YAR 207-106-2FW/VA201
	72	42,9	19	46,1	25,4	1	25,5	15,3	160	350	0,46	YAR 207-106-2FW/VA228
1 $\frac{7}{16}$ 36,513	72	42,9	19	46,1	25,4	1	25,5	15,3	80	250	0,42	YAR 207-107-2FW/VA201
	72	42,9	19	46,1	25,4	1	25,5	15,3	160	350	0,42	▶ YAR 207-107-2FW/VA228
1 $\frac{1}{2}$ 38,1	80	49,2	21	51,8	30,2	1	30,7	19	70	250	0,59	YAR 208-108-2FW/VA201
	80	49,2	21	51,8	30,2	1	30,7	19	150	350	0,59	▶ YAR 208-108-2FW/VA228
1 $\frac{11}{16}$ 42,863	85	49,2	22	56,8	30,2	1	33,2	21,6	70	250	0,75	YAR 209-111-2FW/VA201
	85	49,2	22	56,8	30,2	1	33,2	21,6	140	350	0,75	YAR 209-111-2FW/VA228
1 $\frac{3}{4}$ 44,45	85	49,2	22	56,8	30,2	1	33,2	21,6	60	250	0,62	YAR 209-112-2FW/VA201
	85	49,2	22	56,8	30,2	1	33,2	21,6	130	350	0,62	▶ YAR 209-112-2FW/VA228
1 $\frac{15}{16}$ 49,213	90	51,6	22	62,5	32,6	1	35,1	23,2	60	250	0,78	YAR 210-115-2FW/VA201
	90	51,6	22	62,5	32,6	1	35,1	23,2	120	350	0,78	YAR 210-115-2FW/VA228
2 50,8	100	55,6	25	69	33,4	1	43,6	29	50	250	1,1	YAR 211-200-2FW/VA201
	100	55,6	25	69	33,4	1	43,6	29	110	350	1,1	YAR 211-200-2FW/VA228
2 $\frac{3}{16}$ 55,563	100	55,6	25	69	33,4	1	25	29	50	250	1,05	YAR 211-203-2FW/VA201
	100	55,6	25	69	33,4	1	25	29	110	350	1,05	YAR 211-203-2FW/VA228
2 $\frac{7}{16}$ 61,913	110	65,1	26	75,6	39,7	1,5	52,7	36	50	250	1,35	YAR 212-207-2FW/VA201
	110	65,1	26	75,6	39,7	1,5	52,7	36	100	350	1,35	YAR 212-207-2FW/VA228
2 $\frac{15}{16}$ 74,613	130	73,3	29	92	46,3	1,5	66,3	49	40	250	2,2	YAR 215-215-2FW/VA201
	130	73,3	29	92	46,3	1,5	66,3	49	80	350	2,2	YAR 215-215-2FW/VA228

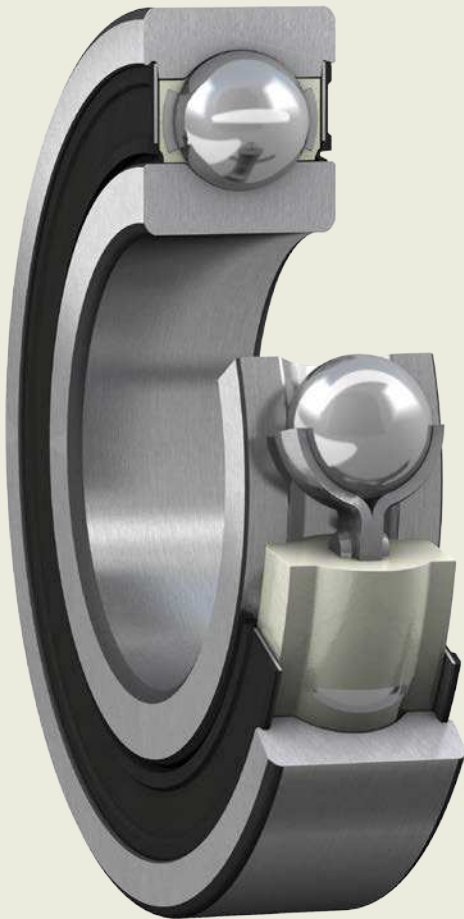
▶ Popular item





19

Solid Oil bearings



19 Bearings with Solid Oil

Designs and variants	1025
Solid Oil variants	1025
Sealed bearings	1025
Bearing data	1025
Loads	1026
Load carrying capacity	1026
Temperature limits	1026
Speed limits	1026
Friction characteristics	1027
Mounting	1027
Designation system	1027



19 Bearings with Solid Oil

More information

General bearing knowledge	17
Bearing selection process	59
Bearing interfaces	139
Seat tolerances for standard conditions	148
Selecting internal clearance or preload	182
Sealing, mounting and dismounting	193

Mounting instructions for individual bearings → skf.com/mount

SKF bearings with Solid Oil are designed for use in applications where high levels of moisture and incidental contact with water and other contaminants are real issues.

Bearings with Solid Oil are lubricated for the life of the bearing and cannot be relubricated.

Solid Oil:

- is an oil saturated, polymer material
 - moulded into the bearing, forming very narrow gaps between the rolling elements, raceways and cage(s), enabling the bearing to rotate freely
 - having a porous structure, with millions of micro-pores that retain the lubricating oil by surface tension
- virtually fills all of the free space in the bearing
- releases oil into the narrow gaps, during operation, providing effective minimum quantity lubrication

Bearing features

- **Long service life**
 - An increase in operating temperature pushes the oil toward the surface of the polymer material, supporting consistent lubricant supply. During shutdown, any excess oil is re-absorbed back into the polymer material.
- **Extended lubricant life**
 - With Solid Oil bearings, a large amount of oil is available (two to four times more compared to conventional grease fill).
 - The Solid Oil polymer structure eliminates lubricant churning.
 - Solid Oil is a high-quality synthetic oil that resists oxidation.

- **Resists washout**

- Solid Oil cannot be washed out and virtually fills all free space, limiting the amount of wet contamination that can enter the bearing.
- Water cannot mix with the oil or Solid Oil polymer.

- **Virtually eliminates lubricant leakage**

- Solid Oil retains oil in the bearing.
- Integral bearing seals further increase the oil retention.

- **Protects against the ingress of contaminants**

- Close osculation between Solid Oil and the rolling elements and raceways significantly reduces the ingress of contaminants.
- Solid Oil provides additional support for integral bearing seals.

Designs and variants

The SKF standard assortment of bearings and bearing units with Solid Oil (fig. 1) includes:

- Deep groove ball bearings
- Spherical roller bearings
- Insert bearings and ball bearing units
- Tapered roller bearings
- Cylindrical roller bearings
- Self-aligning ball bearings

On request, SKF can supply other bearing types with Solid Oil to meet the needs of a particular application, except for CARB toroidal roller bearings which are unsuitable for use with Solid Oil. Bearings fitted with a large-volume cage are not suitable for Solid Oil because there is too little free space inside the bearing.

Solid Oil variants

- Standard variant (designation suffix W64, table 1):
 - contains a high-quality synthetic oil
 - meets the needs of most applications
- Food-grade variant (designation suffix W64F, table 1):
 - contains an oil registered by NSF as category H1
 - meets the needs of food applications

Sealed bearings

- with integral contact seals are strongly recommended in wet environments
- with Solid Oil increase the sealing effectiveness, as the Solid Oil supports the seals axially, preventing them from deflecting and opening under pressure

For information about sealing options, contact the SKF application engineering service.

Where carbon steel bearings are exposed to wet environments, additional external seals are recommended to protect the bearing's external surfaces from corrosion.

Bearing data

Dimension standards, tolerances, internal clearance

Refer to *Bearing data* in the relevant product section of the standard bearing.



Table 1

Technical specifications for bearings and bearing units with Solid Oil

Characteristic	Standard variant	Food-grade variant
Designation suffix	W64	W64F
Base oil viscosity at 40 °C (105 °F) at 100 °C (210 °F)	150 mm ² /s 20 mm ² /s	220 mm ² /s 25 mm ² /s
NSF H1 food grade	no	yes
Operating temperature Minimum start-up temperature Maximum continuous Maximum intermittent	–50 °C (–60 °F) 85 °C (185 °F) 95 °C (205 °F)	–25 °C (–15 °F) 85 °C (185 °F) 95 °C (205 °F)
Relubrication-free	yes	yes
Polymer colour	blue	white



Loads

Load carrying capacity

The basic dynamic and static load ratings for bearings with Solid Oil are the same as for corresponding SKF standard bearings.

Temperature limits

The permissible operating temperature for bearings with Solid Oil can be limited by:

- the dimensional stability of the bearing rings and rolling elements
- the cage(s)
- the seals
- the Solid Oil

For limits of bearing rings, rolling elements, cage(s) and seals, refer to *Temperature limits* of the relevant product section of the standard bearing.

The relevant limits for Solid Oil are listed in [table 1, page 1025](#).

Where temperatures outside the permissible range are expected, contact SKF.

Speed limits

The recommended speed values for bearings and bearing units with Solid Oil ([table 2](#)), operating in an ambient temperature of 20 °C (70 °F), are limited by the maximum continuous operating temperature of 85 °C (185 °F). Ambient temperature is the temperature closest to the bearing position, not necessarily room temperature.

For bearing types or variants not listed in [table 2](#), contact the SKF application engineering service.

For ambient temperatures above 20 °C (70 °F), the speed limit should be reduced using the reduction factor f_T ([diagram 1](#)).

Calculation example

A deep groove ball bearing 6208/W64 is to operate at an ambient temperature of 50 °C (120 °F). What is the reduced speed limit?

1 Recommended speed limit for 20 °C (70 °F) ambient temperature

- From [table 2](#): speed value
 $nd_m = 300\,000$ mm/min (single row deep groove ball bearing with a stamped metal cage)
- Dimensions: $d = 40$ mm, $D = 80$ mm
 $n = 300\,000 / d_m$
 $= 300\,000 / (0,5 (40 + 80))$
 $= 5\,000$ r/min

2 Reduction for 50 °C (120 °F) ambient temperature

- From [diagram 1](#): speed reduction factor
 $f_T \approx 0,53$
 $n_{\text{reduced}} = 5\,000 f_T$
 $= 5\,000 \times 0,53$
 $= 2\,650$ r/min

Table 2

Recommended limits for the speed value of bearings and bearing units with Solid Oil

Bearing type	Speed value nd_m
–	mm/min
Deep groove ball bearings	
– single row with a stamped metal cage	300 000
– single row with a polymer cage	40 000
– double row	40 000
Angular contact ball bearings	
– with a stamped metal cage	150 000
– with a polymer cage	40 000
Self-aligning ball bearings	
– with a stamped metal cage	150 000
– with a polymer cage	40 000
Cylindrical roller bearings	
– with a stamped metal cage	150 000
– with a polymer cage	40 000
Tapered roller bearings	45 000
Spherical roller bearings	
– E design	42 500
– CC design	85 000
Insert bearings, ball bearing units	40 000

n = rotational speed [r/min]
 d_m = bearing mean diameter [mm]
 $= 0,5 (d + D)$

For bearings with integral seals, use 80% of the quoted speed limits.



Friction characteristics

The friction characteristics of a bearing with Solid Oil correspond to the relevant SKF standard bearing except that the Solid Oil polymer filling adds a fixed friction.

Mounting

If a bearing with Solid Oil is to be hot mounted, it should be heated to a maximum of 120 °C (250 °F) by using an induction heater.

Heating plates or heated oil baths should not be used.

Designation system

Refer to *Designation system* in the relevant product section of the standard bearing.

The designation suffixes used to identify bearings with Solid Oil are:

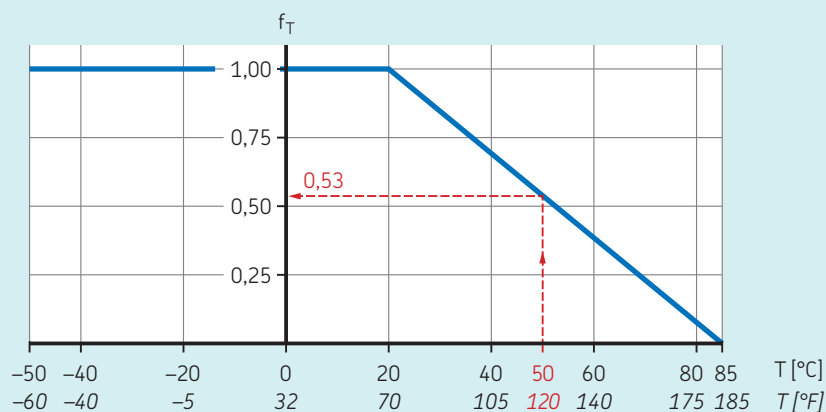
W64 Synthetic base oil type, standard variant

W64F Synthetic base oil type, NSF H1 approved for food applications



Diagram 1

Speed reduction factor as a function of ambient temperature





INSOCOAT bearings



20 INSOCOAT bearings

Designs and variants	1031
INSOCOAT bearings with a coated outer ring	1031
INSOCOAT bearings with a coated inner ring	1032
Capped bearings	1032
Cages	1032
Bearing data	1033
(Dimension standards, tolerances, internal clearance, permissible misalignment, permissible axial displacement, electrical properties)	
Loads	1034
Temperature limits	1034
Permissible speed	1034
Design considerations	1035
Abutment dimensions	1035
Mounting	1035
Designation system	1035
Product tables	
20.1 INSOCOAT deep groove ball bearings	1036
20.2 INSOCOAT cylindrical roller bearings	1038



20 INSOCOAT bearings

More information

General bearing knowledge	17
Bearing selection process	59
Lubrication	109
Bearing interfaces	139
Seat tolerances for standard conditions	148
Selecting internal clearance or preload	182
Sealing, mounting and dismounting	193

Mounting instructions for individual bearings → skf.com/mount

Electric motors, generators and associated equipment are at risk when an electric current passes through their bearings. This can damage the contact surfaces of rolling elements and raceways in the bearings (electrical erosion) and rapidly degrade the grease. An additional risk in electric motors and generators comes from high frequency currents caused by the inherent stray capacitance. The risk of damage increases where the application uses a frequency converter.

INSOCOAT bearings:

- are designed to prevent electric current from passing through the bearing
- have the external surfaces of either their inner or outer ring coated with an insulating aluminium oxide layer, by applying a sophisticated plasma-spray process for an outstanding quality finish
- are a very cost-effective solution compared with other insulation methods

Bearing features

- **Protection against electrical erosion**
With insulating properties integrated into the bearing, INSOCOAT bearings can improve reliability and increase machine uptime by virtually eliminating the problem of electrical erosion.
- **High electrical resistance**
The aluminium oxide coating provides a minimum electrical resistance of 200 MΩ and can withstand voltages up to 3 000 V DC.
- **Consistent electrical performance**
Plasma-spray coatings are normally hygroscopic and, therefore, vulnerable to penetration caused by condensation. To protect against this effect, INSOCOAT bearings are treated with a unique sealant.

Fig. 1

INSOCOAT bearings, outer ring coated



Single row deep groove ball bearing



Single row cylindrical roller bearing

Assortment

The standard assortment of INSOCOAT bearings (fig. 1 and fig. 2) listed here constitutes the most commonly used sizes and variants of:

- single row deep groove ball bearings
- single row cylindrical roller bearings

For bearing types and sizes not listed in the product tables, contact SKF.

For applications where smaller bearings than those listed are needed, SKF recommends using SKF Hybrid bearings (*Hybrid bearings*, page 1043).

In addition to the standard assortment, SKF can supply special INSOCOAT bearings and bearing units with complex ring geometries (fig. 3), such as:

- four-point contact ball bearings
- flanged tapered roller bearings
- tapered roller bearing units (TBU)
- traction motor bearing units

For availability and detailed information, contact SKF.

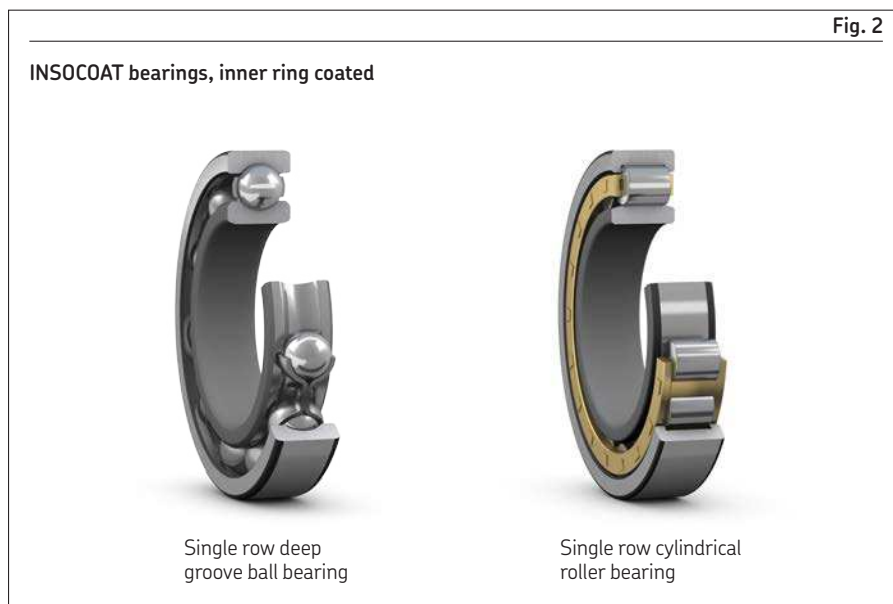
Designs and variants

INSOCOAT bearings with a coated outer ring

INSOCOAT bearings typically have the external surfaces of the outer ring coated with aluminium oxide (fig. 1). These bearings are identified by the following designation suffixes:

- VL0241 – standard layer
- VL0246 – advanced layer for higher electrical resistance

For availability, contact SKF.



INSOCOAT bearings with a coated inner ring

INSOCOAT bearings that have the external surfaces of the inner ring coated with aluminium oxide (fig. 2, page 1031) provide enhanced protection against high frequency electric currents. These bearings are identified by the following designation suffixes:

- VL2071 – standard layer
- VL2076 – advanced layer for higher electrical resistance

For availability, contact SKF.

Capped bearings

Some INSOCOAT deep groove ball bearings can be supplied capped (*Capped bearings*, page 242). For availability, contact SKF.

Cages

SKF INSOCOAT deep groove ball bearings are fitted with one of the following cages:

- a stamped steel cage, riveted, ball centred (no designation suffix)
- a machined brass cage, riveted, ball centred (designation suffix M)

For additional information, refer to *Cages*, page 249.

SKF INSOCOAT cylindrical roller bearings are fitted with one of the following cages:

- a glass fibre reinforced PA66 cage, window-type, roller centred (designation suffix P)
- a machined brass cage, riveted, roller centred (designation suffix M)
- a machined brass cage, window-type, inner or outer ring centred (depending on bearing design) (designation suffix ML)

For additional information, refer to *Cages*, page 502.

When used at high temperatures, some lubricants can have a detrimental effect on polyamide cages. For additional information about the suitability of cages, refer to *Cages*, page 187.

Table 1

Electrical properties

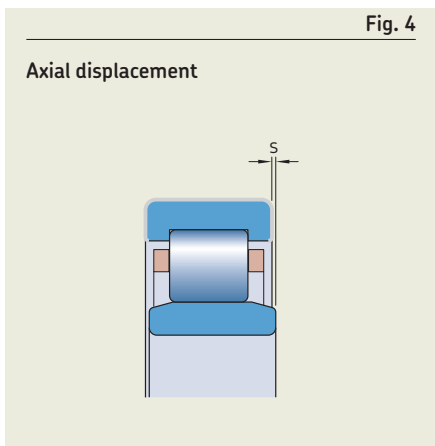
Coating Designation suffix	Breakdown voltage (DC)	Minimum electrical resistance
–	V	MΩ
Standard layer VL0241, VL2071	3 000	200
Advanced layer VL0246, VL2076	3 000	400

Valid if:

- Temperature $T \leq 40\text{ °C}$ (105 °F)
- Relative humidity $rH \leq 60\%$



	Deep groove ball bearings	Cylindrical roller bearings
Dimension standards	Boundary dimensions: ISO 15	
Tolerances For additional information → page 35	Normal Tighter tolerances (up to P5) for some bearings on request Values: ISO 492 (table 2, page 38 , to table 4, page 40) The aluminium oxide layer on the external surfaces of either the inner or the outer ring does not affect accuracy.	Normal
Internal clearance For additional information → page 26	C3 Values: ISO 5753-1 (table 6, page 252) Values are valid for unmounted bearings under zero measuring load.	C3 Check availability of other clearance classes Values: ISO 5753-1 (table 3, page 506)
Permissible misalignment	Identical to standard bearings → page 250	→ page 504
Permissible axial displacement	–	s_{max} → product tables, page 1036 NU design INSOCOAT bearings can accommodate axial displacement (fig. 4). Displacement of the shaft relative to the housing occurs within these bearings. As a result, there is virtually no increase in friction.
Electrical properties	table 1	



Loads

For recommendations about minimum load, axial load carrying capacity and equivalent bearing loads, refer to *Loads* of the relevant standard bearing:

- deep groove ball bearings, [page 254](#)
- cylindrical roller bearings, [page 509](#)

The required INSOCOAT bearing specific values and factors are listed in the relevant product tables:

- *INSOCOAT deep groove ball bearings*, [page 1036](#)
 - basic static load rating C_0
 - calculation factors f_0 and k_r
- *INSOCOAT cylindrical roller bearings*, [page 1038](#)
 - calculation factor k_r
 - reference speed

Temperature limits

The permissible operating temperature for INSOCOAT bearings can be limited by:

- the dimensional stability of the bearing rings and rolling elements
- the cage
- the lubricant

Where temperatures outside the permissible range are expected, contact SKF.

Bearing rings and rolling elements

SKF INSOCOAT bearings are heat stabilized up to at least 150 °C (300 °F).

Cages

Steel or brass cages can be used at the same operating temperatures as the bearing rings and rolling elements. For temperature limits of PA66 cages, refer to *Polymer cages*, [page 188](#).

Lubricants

For temperature limits of SKF greases, refer to *Selecting a suitable SKF grease*, [page 116](#).

When using lubricants not supplied by SKF, temperature limits should be evaluated according to the SKF traffic light concept ([page 117](#)).

Permissible speed

The speed ratings in the product tables (*INSOCOAT deep groove ball bearings*, [page 1036](#), and *INSOCOAT cylindrical roller bearings*, [page 1038](#)) indicate:

- the **reference speed**, which enables a quick assessment of the speed capabilities from a thermal frame of reference
- the **limiting speed**, which is a mechanical limit that should not be exceeded unless the bearing design and the application are adapted for higher speeds

For additional information, refer to *Operating temperature and speed*, [page 129](#).

SKF recommends oil lubrication for bearings with a ring centred cage (designation suffix ML). When these bearings are grease lubricated, the nd_m value is limited to $\leq 250\,000$ mm/min.

where
 d_m = bearing mean diameter [mm]
 $= 0,5 (d + D)$
 n = rotational speed [r/min]



Design considerations

Abutment dimensions

To maximize the effectiveness of the insulation, SKF recommends the following guidelines for dimensioning the shaft and housing shoulders (fig. 5):

- Bearings with a coated outer ring (designation suffix VL0241 or VL0246): housing abutment diameter $\geq D_{a \text{ min}}$
- Bearings with a coated inner ring (designation suffix VL2071 or VL2076): shaft abutment diameter $\leq d_{a \text{ max}}$

The values for $D_{a \text{ min}}$ and $d_{a \text{ max}}$ can be obtained from the product tables:

- *INSOCOAT deep groove ball bearings*, page 1036
- *INSOCOAT cylindrical roller bearings*, page 1038

Mounting

During mounting, INSOCOAT bearings should be handled in the same way as standard bearings.

When using an induction heater for bearings with a coated inner ring (designation suffix VL2071 or VL2076), use a protective sleeve or an additional plastic support block.

In cases where springs are used to apply preload to deep groove ball bearings or lock nuts are used for axial clamping, SKF recommends inserting a steel spacer ring between the bearing and the preload or locking device (fig. 6).

The values for $d_{a \text{ min}}$ and $d_{a \text{ max}}$ can be obtained from the product tables:

- *INSOCOAT deep groove ball bearings*, page 1036
- *INSOCOAT cylindrical roller bearings*, page 1038

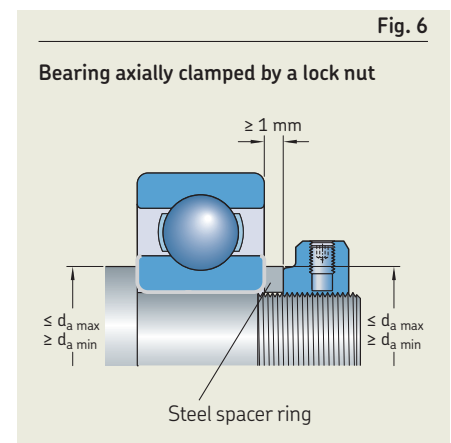
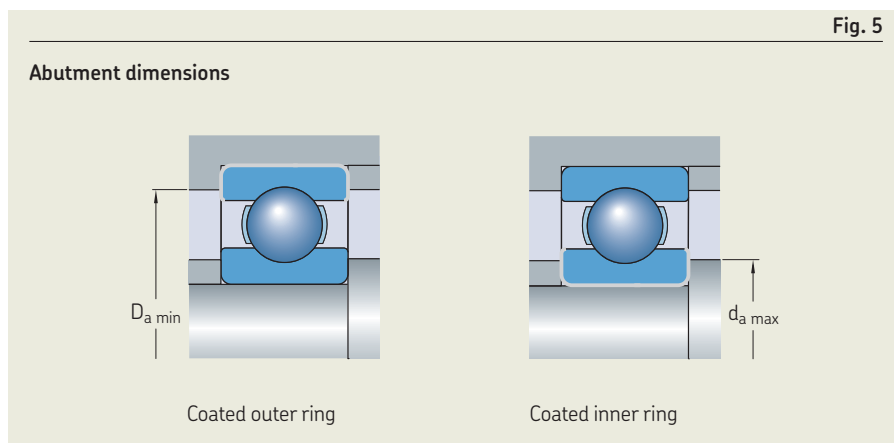
Designation system

Refer to *Designation system* of the relevant standard bearing:

- deep groove ball bearings, page 258
- cylindrical roller bearings, page 514

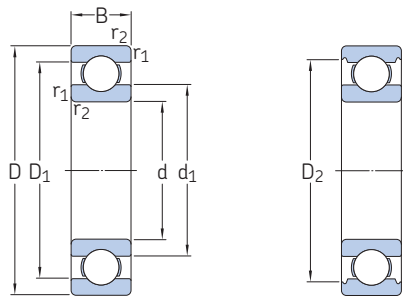
The designation suffixes used to identify INSOCOAT bearings are explained in the following.

- VL0241** External surfaces of the outer ring are coated – standard layer.
- VL0246** External surfaces of the outer ring are coated – advanced layer.
- VL2071** External surfaces of the inner ring are coated – standard layer.
- VL2076** External surfaces of the inner ring are coated – advanced layer.

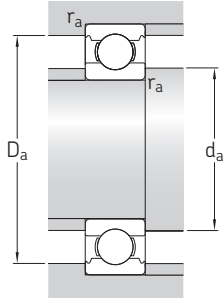


20.1 INSOCOAT deep groove ball bearings

d 70 – 150 mm



Principal dimensions			Basic load ratings		Fatigue load limit	Speed ratings		Mass	Designation
d	D	B	dynamic	static		Reference speed	Limiting speed		
mm			C	C ₀	P _u	r/min		kg	–
70	150	35	104	68	2,75	9 500	6 300	2,5	▶ 6314/C3VL0241
75	130	25	68,9	49	2,04	10 000	6 700	1,2	▶ 6215/C3VL0241
	160	37	114	76,5	3	9 000	5 600	3,05	▶ 6315/C3VL0241
80	140	26	72,8	55	2,2	9 500	6 000	1,4	▶ 6216/C3VL0241
	170	39	124	86,5	3,25	8 500	5 300	3,55	▶ 6316/C3VL0241
85	150	28	87,1	64	2,5	9 000	5 600	1,75	▶ 6217/C3VL0241
	180	41	133	96,5	3,55	8 000	5 000	4,1	▶ 6317/C3VL0241
90	160	30	101	73,5	2,8	8 500	5 300	2,4	▶ 6218/C3VL0241
	190	43	143	108	3,8	7 500	4 800	4,9	▶ 6318/C3VL0241
95	170	32	114	81,5	3	8 000	5 000	2,5	▶ 6219/C3VL0241
	200	45	153	118	4,15	7 000	4 500	5,65	▶ 6319/C3VL0241
100	180	34	127	93	3,35	7 500	4 800	3,15	▶ 6220/C3VL0241
	215	47	174	140	4,75	6 700	4 300	7	▶ 6320/C3VL0241
110	200	38	151	118	4	6 700	4 300	4,4	▶ 6222/C3VL0241
	240	50	203	180	5,7	6 000	3 800	9,65	▶ 6322/C3VL0241
120	215	40	146	118	3,9	6 300	4 000	5,2	▶ 6224/C3VL0241
	260	55	208	186	5,7	5 600	3 400	12,5	▶ 6324/C3VL2071
130	230	40	156	132	4,15	5 600	3 600	5,75	6226/C3VL2071
	280	58	229	216	6,3	5 000	3 200	15	▶ 6326/C3VL2071
140	300	62	251	245	7,1	4 800	3 000	18,5	▶ 6328/C3VL2071
150	270	45	174	166	4,9	5 000	3 200	9,8	▶ 6230/C3VL2071
	320	65	276	285	7,8	4 300	2 800	23	▶ 6330/C3VL2071

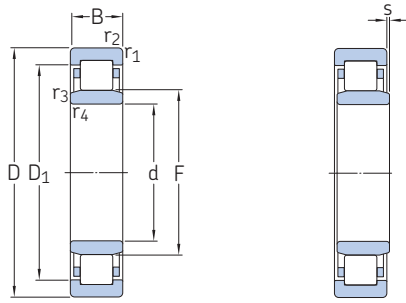


Dimensions					Abutment and fillet dimensions					Calculation factors	
d	d ₁ ≈	D ₁ ≈	D ₂ ≈	r _{1,2} min.	d _a min.	d _a max.	D _a min.	D _a max.	r _a max.	k _r	f ₀
mm					mm					–	
70	94,9	–	132	2,1	82	–	136	138	2	0,03	13
75	92 101	– –	118 141	1,5 2,1	84 87	– –	121 146	121 148	1,5 2	0,03 0,03	15 13
80	101 108	– –	122 149	2 2,1	91 92	– –	128 154	129 158	2 2	0,025 0,03	15 13
85	106 114	– –	134 158	2 3	96 99	– –	139 163	139 166	2 2,5	0,025 0,03	15 13
90	112 121	– –	145 166	2 3	101 104	– –	149 171	149 176	2 2,5	0,025 0,03	15 13
95	118 127	– –	151 174	2,1 3	107 109	– –	156 179	158 186	2 2,5	0,025 0,03	14 13
100	124 135	– –	160 186	2,1 3	112 114	– –	165 191	168 201	2 2,5	0,025 0,03	14 13
110	138 149	– –	179 207	2,1 3	122 124	– –	184 213	188 226	2 2,5	0,025 0,03	14 13
120	150 164	– 215	189 –	2,1 3	132 134	– 158	194 –	203 246	2 2,5	0,025 0,03	14 14
130	160 177	198 232	– –	3 4	144 147	154 171	– –	216 263	2,5 3	0,025 0,03	15 14
140	190	249	–	4	157	185	–	283	3	0,03	14
150	190 205	228 264	– –	3 4	164 167	185 200	– –	256 303	2,5 3	0,025 0,03	15 14



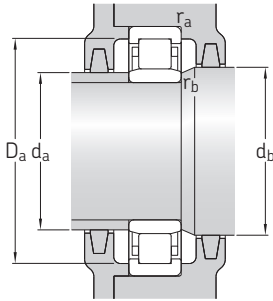
20.2 INSOCOAT cylindrical roller bearings

d 50 – 95 mm



Principal dimensions			Basic load ratings		Fatigue load limit	Speed ratings		Mass	Designation
d	D	B	dynamic	static		Reference speed	Limiting speed		
mm			C	C ₀	P _u	r/min		kg	–
50	80	16	47,3	57	7,2	9 500	9 500	0,27	NU 1010 ECP/C3VL0241
	90	20	66	72	9,15	7 500	9 000	0,48	NU 210 ECM/C3VL0241
	110	27	112	116	15,3	6 000	8 000	1,35	NU 310 ECM/C3VL0241
55	90	18	57,2	69,5	9	8 500	13 000	0,4	NU 1011 ECP/C3VL0241
	90	18	57,2	69,5	9	8 500	13 000	0,45	NU 1011 ECML/C3VL0241
	100	21	85,8	100	12,9	7 000	8 000	0,78	NU 211 ECM/C3VL0241
	120	29	138	146	19	5 600	7 000	1,75	NU 311 ECM/C3VL0241
60	95	18	38	45,5	5,85	8 000	13 000	0,48	NU 1012 ML/C3VL0241
	95	18	58,3	73,5	8,8	8 000	8 000	0,48	NU 1012 ECP/C3VL0241
	110	22	96,8	106	14	6 300	7 500	0,97	▶ NU 212 ECM/C3VL0241
	130	31	151	160	20,4	5 000	6 700	2,15	NU 312 ECM/C3VL0241
65	100	18	62,7	81,5	10,6	7 500	7 500	0,45	NU 1013 ECP/C3VL0241
	120	23	110	122	16	5 600	6 700	1,25	NU 213 ECM/C3VL0241
	140	33	183	196	25,5	4 800	6 000	2,65	▶ NU 313 ECM/C3VL0241
70	110	20	70,4	85	10,8	7 000	7 000	0,69	NU 1014 ECM/C3VL0241
	110	20	76,5	93	12	7 000	7 000	0,62	NU 1014 ECP/C3VL0241
	125	24	121	140	18,6	5 300	6 300	1,35	NU 214 ECM/C3VL0241
	150	35	209	228	29	4 300	5 600	3,1	▶ NU 314 ECM/C3VL0241
75	115	20	58,3	71	9,3	6 700	6 700	0,75	NU 1015 M/C3VL0241
	130	25	132	160	21,2	5 300	6 000	1,5	NU 215 ECM/C3VL0241
	160	37	242	270	34	4 000	5 300	3,9	NU 315 ECM/C3VL0241
	160	37	242	270	34	4 000	5 300	3,9	▶ NU 315 ECP/VL0241
80	125	22	99	127	16,3	6 000	6 000	1,05	NU 1016 ECM/C3VL0241
	140	26	142	173	22	4 800	5 600	1,85	NU 216 ECM/C3VL0241
	170	39	264	290	36	3 800	5 000	4,6	NU 316 ECM/C3VL0241
85	130	22	72,1	91,5	11,6	6 000	6 000	1,1	NU 1017 M/C3VL0241
	150	28	168	200	25,5	4 500	5 300	2,25	NU 217 ECM/C3VL0241
	180	41	297	340	41,5	3 600	4 800	5,3	▶ NU 317 ECM/C3VL0241
90	140	24	85,8	110	13,7	5 600	5 600	1,35	NU 1018 M/C3VL0241
	160	30	187	224	28	4 300	5 000	2,75	NU 218 ECM/C3VL0241
	190	43	319	360	44	3 400	4 500	6,25	▶ NU 318 ECM/C3VL0241
95	145	24	88	116	14,3	5 300	5 300	1,4	NU 1019 ML/C3VL0241
	170	32	224	270	33,5	4 000	4 800	2,85	NU 219 ECM/C3VL0241
	200	45	341	390	46,5	3 200	4 300	7,25	▶ NU 319 ECM/C3VL0241

▶ Popular item

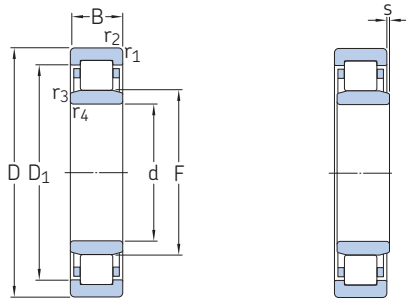


Dimensions			Abutment and fillet dimensions										Calculation factor
d	D ₁ ≈	F	r _{1,2} min.	r _{3,4} min.	s max.	d _a min.	d _a max.	d _b min.	D _a min.	D _a max.	r _a max.	r _b max.	k _r
mm						mm							–
50	70	57,5	1,1	0,6	1	53,2	56	60	74	75,4	1	0,6	0,1
	78	59,5	1,1	1,1	1,5	57	57	62	83	83	1	1	0,15
	92,1	65	2	2	1,9	61	63	67	96	99	2	2	0,15
55	79	64,5	1,1	1	0,5	59,6	63	67	80	84	1	1	0,1
	79	64,5	1,1	1	0,5	59,6	63	67	80	84	1	1	0,1
	86,3	66	1,5	1,1	1	62	64	68	91	91	1,5	1	0,15
	101	70,5	2	2	2	66	68	73	106	109	2	2	0,15
60	81,6	69,5	1,1	1	2,9	64,6	68	72	85	89	1	1	0,1
	81,6	69,5	1,1	1	1,7	64,6	68	72	85	89	1	1	0,1
	95,7	72	1,5	1,5	1,4	69	70	74	101	101	1,5	1,5	0,15
	110	77	2,1	2,1	2,1	72	74	79	115	118	2	2	0,15
65	88,5	74	1,1	1	1	69,6	72	77	90	94	1	1	0,1
	104	78,5	1,5	1,5	1,4	74	76	81	109	111	1,5	1,5	0,15
	119	82,5	2,1	2,1	2,2	77	80	85	123	128	2	2	0,15
70	97,5	79,5	1,1	1	1,3	74,6	78	82	101	104	1	1	0,1
	97,5	79,5	1,1	1	1,3	74,6	78	82	101	104	1	1	0,1
	109	83,5	1,5	1,5	1,2	79	81	86	115	116	1,5	1,5	0,15
	127	89	2,1	2,1	1,8	82	86	91	131	138	2	2	0,15
75	101	85	1,1	1	3	79,6	83	87	106	109	1	1	0,1
	114	88,5	1,5	1,5	1,2	84	86	91	119	121	1,5	1,5	0,15
	136	95	2,1	2,1	1,8	87	92	97	141	148	2	2	0,15
	136	95	2,1	2,1	1,8	87	92	97	141	148	2	2	0,15
80	109	91,5	1,1	1	1,5	86	90	94	114	119	1	1	120
	123	95,3	2	2	1,4	91	93	98	128	129	2	2	0,15
	144	101	2,1	2,1	2,1	92	98	104	149	158	2	2	0,15
85	114	96,5	1,1	1	3,3	89,6	95	99	119	124	1	1	0,1
	131	100,5	2	2	1,5	96	98	103	136	139	2	2	0,15
	153	108	3	3	2,3	99	105	111	158	166	2,5	2,5	0,15
90	122	103	1,5	1,1	3,5	96	101	106	128	133	1,5	1	0,1
	140	107	2	2	1,8	101	104	110	144	149	2	2	0,15
	162	113,5	3	3	2,5	104	110	116	167	176	2,5	2,5	0,15
95	127	108	1,5	1,1	3,5	101	106	111	133	138	1,5	1	0,1
	149	112,5	2,1	2,1	1,7	107	110	115	154	158	2	2	0,15
	170	121,5	3	3	2,9	109	118	124	175	186	2,5	2,5	0,15



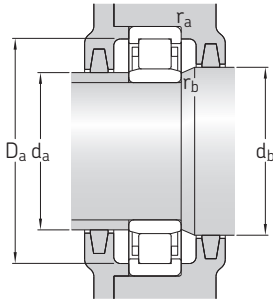
20.2 INSOCOAT cylindrical roller bearings

d 100 – 150 mm



Principal dimensions			Basic load ratings		Fatigue load limit	Speed ratings		Mass	Designation
d	D	B	dynamic	static		Reference speed	Limiting speed		
mm			kN		kN	r/min		kg	–
100	150	24	89,7	122	15	5 000	5 000	1,45	NU 1020 M/C3VL0241
	180	34	251	310	38	3 800	4 500	4	▶ NU 220 ECM/C3VL0241
	215	47	391	440	51	3 000	3 800	8,65	NU 320 ECM/C3VL0241
110	170	28	130	173	20,8	4 500	4 500	2,3	NU 1022 M/C3VL0241
	200	38	297	375	44	3 400	4 000	5,6	▶ NU 222 ECM/C3VL0241
	240	50	468	540	61	2 600	3 400	12	▶ NU 322 ECM/C3VL0241
120	180	28	138	190	22,4	4 000	4 000	2,55	NU 1024 M/C3VL2071
	215	40	341	440	50	3 000	3 600	6,65	NU 224 ECM/C3VL0241
	260	55	539	620	69,5	2 400	3 200	15	▶ NU 324 ECM/C3VL0241
130	200	33	168	232	27	3 800	5 600	3,85	NU 1026 M/C3VL2071
	230	40	369	465	52	2 800	3 400	7,6	NU 226 ECM/C3VL2071
	280	58	627	750	81,5	2 200	3 000	18,5	NU 326 ECM/C3VL2071
140	210	33	179	255	29	3 600	3 600	4,05	NU 1028 M/C3VL2071
	250	42	396	520	58,5	2 600	3 200	9	NU 228 ECM/C3VL2071
	300	62	682	830	88	2 200	2 800	25	NU 328 ECM/C3VL2071
150	225	35	194	275	18	3 200	3 200	4,9	NU 1030 M/C3VL2071
	270	45	457	610	65,5	2 400	2 800	12	NU 230 ECM/C3VL2071
	320	65	765	950	100	2 000	2 600	31	NU 330 ECM/C3VL2071

▶ Popular item



Dimensions			Abutment and fillet dimensions										Calculation factor
d	D ₁ ≈	F	r _{1,2} min.	r _{3,4} min.	s max.	d _a min.	d _a max.	d _b min.	D _a min.	D _a max.	r _a max.	r _b max.	k _r
mm						mm							–
100	132	113	1,5	1,1	3,5	106	111	116	138	143	1,5	1	0,1
	157	119	2,1	2,1	1,7	112	116	122	162	168	2	2	0,15
	182	127,5	3	3	2,9	114	124	130	192	201	2,5	2,5	0,15
110	149	125	2	1,1	3,8	116	123	128	155	161	2	1	0,1
	174	132,5	2,1	2,1	2,1	122	130	135	179	188	2	2	0,15
	201	143	3	3	3	124	139	146	207	226	2,5	2,5	0,15
120	159	135	2	1,1	3,8	126	133	138	–	171	2	1	0,1
	188	143,5	2,1	2,1	1,9	132	140	146	193	203	2	2	0,15
	219	154	3	3	3,7	134	150	157	225	246	2,5	2,5	0,15
130	175	148	2	1,1	4,7	136	145	151	–	191	2	1	0,1
	202	153,5	3	3	2,1	144	145	156	–	216	2,5	2,5	0,15
	236	167	4	4	3,7	147	156	170	–	263	3	3	0,15
140	185	158	2	1,1	4,4	146	155	161	–	201	2	1	0,1
	217	169	3	3	2,5	154	160	172	–	236	2,5	2,5	0,15
	252	180	4	4	3,7	157	168	183	–	283	3	3	0,15
150	198	169,5	2,1	1,5	4,9	157	167	173	–	215	2	1,5	0,1
	234	182	3	3	2,5	163	172	185	–	256	2,5	2,5	0,15
	270	193	4	4	4	167	182	196	–	303	3	3	0,15





21

Hybrid bearings



21 Hybrid bearings

Designs and variants	1045	
Hybrid deep groove ball bearings	1045	
Basic design bearings	1045	
Sealed bearings	1045	
XL hybrid bearings	1046	
Hybrid cylindrical roller bearings	1046	
Basic design bearings	1046	
Hybrid bearings with special steel rings and coatings ...	1046	
Cages	1046	
Bearing data	1047	
(Dimension standards, tolerances, internal clearance, permissible misalignment, permissible axial displacement, electrical properties)		
Loads	1048	
Axial preload	1048	
Temperature limits	1048	
Permissible speed	1048	
Designation system	1049	
Product tables		
21.1 Hybrid deep groove ball bearings	1050	
21.2 Hybrid cylindrical roller bearings	1056	
		Other hybrid bearings
		Hybrid super-precision bearings
		→ skf.com/super-precision
		Hybrid angular contact ball bearings
		→ contact SKF
		Hybrid stainless steel deep groove ball bearings
		→ contact SKF
		Hybrid bearing units
		→ contact SKF



21 Hybrid bearings

More information

General bearing knowledge	17
Bearing selection process	59
Lubrication	109
Bearing interfaces	139
Seat tolerances for standard conditions	148
Selecting internal clearance or preload	182
Sealing, mounting and dismounting	193

Mounting instructions for individual bearings → skf.com/mount

SKF bearing maintenance handbook ISBN 978-91-978966-4-1

Hybrid bearings have rings made of bearing steel and rolling elements made of bearing grade silicon nitride (Si_3N_4), which make the bearings electrically insulating.

Bearing features

Silicon nitride rolling elements can extend bearing service life by offering enhanced bearing performance, even under difficult operating conditions. When compared to same-sized bearings with steel rolling elements, the benefits of hybrid bearings include:

- **Protection from electric current damage**
Hybrid bearings are non-conductive and therefore suitable for applications such as AC and DC motors and generators, where electric currents are present.
- **Higher speed capability**
The density of a silicon nitride rolling element is 60% lower than a same-sized rolling element made of bearing steel. Lower weight and inertia translates into higher speed capability and superior behaviour during rapid starts and stops.
- **Long service life**
The lower frictional heat generated in hybrid bearings, especially at high speeds, contributes to extended bearing service life and extended relubrication intervals.
- **High wear-resistance**
Silicon nitride rolling elements have a higher degree of hardness making hybrid bearings suitable under difficult conditions and contaminated environments.
- **High bearing stiffness**
With a high modulus of elasticity, hybrid bearings offer increased bearing stiffness.

- **Reduced risk of smearing**
Even under inadequate lubrication conditions, such as high speeds and rapid accelerations, or where there is an insufficient hydrodynamic film, the risk of smearing is reduced between silicon nitride and steel surfaces. For conditions where $\kappa < 1$, it is common to apply $\kappa = 1$ for hybrid bearing life calculations (Lubrication condition – the viscosity ratio, κ , [page 102](#)).
- **Reduced risk of false brinelling**
When subjected to vibration, hybrid bearings are significantly less susceptible to false brinelling (formation of shallow depressions in the raceways) between the silicon nitride and steel surfaces.
- **Less sensitivity to temperature gradients**
Silicon nitride rolling elements have a lower coefficient of thermal expansion, which means they are more stable over temperature gradients within the bearing and provide more accurate preload/clearance control.

Assortment

The standard assortment of SKF hybrid bearings (fig. 1) comprises popular sizes for electric motors and generators. It includes:

- single row deep groove ball bearings
 - basic design
 - sealed design
 - XL hybrid design
- single row cylindrical roller bearings

Hybrid bearings provided in this catalogue constitute the basic SKF assortment and are only part of the total assortment. Other hybrid bearings include:

- hybrid super-precision bearings (skf.com/super-precision)
 - hybrid super-precision angular contact ball bearings
 - hybrid super-precision cylindrical roller bearings
 - hybrid super-precision angular contact thrust ball bearings, single and double direction
- hybrid angular contact ball bearings
- hybrid stainless steel deep groove ball bearings
- bearing units incorporating hybrid bearings

For availability and detailed information, contact SKF.

Designs and variants

Hybrid deep groove ball bearings

Deep groove ball bearings are the most widely used bearing type, especially in electric motors. SKF hybrid deep groove ball bearings (fig. 2):

- are non-separable
 - are suitable for high speeds
 - accommodate radial loads and axial loads in both directions because their uninterrupted raceway grooves have a close osculation with the balls
 - are manufactured to SKF Explorer bearing quality (page 7)
 - are available with a bore diameter ranging from 5 to 180 mm
 - with a bore diameter $d \leq 45$ mm, are most suitable for electric motors in the power range 0,15 to 15 kW as well as for power tools and high-speed drives
- SKF hybrid deep groove ball bearings in this size range are the most cost-effective solution against electrical erosion.

Basic design bearings

- are available with a bore diameter $d \geq 10$ mm

⚠ WARNING

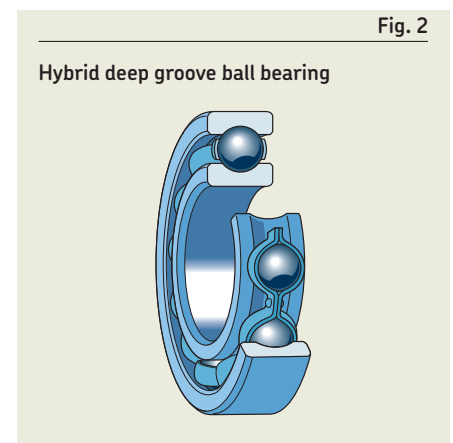
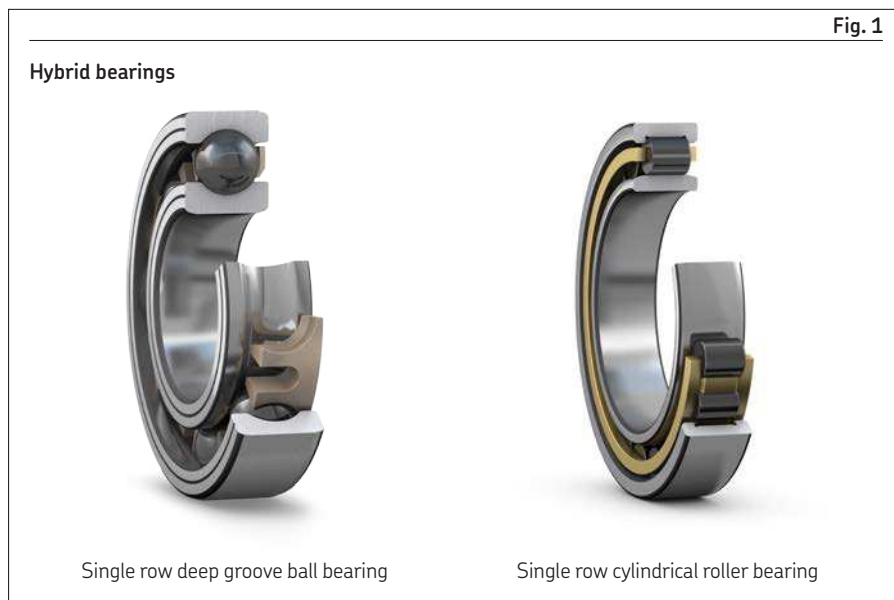
Seals made of FKM (fluoro rubber) exposed to an open flame or temperatures above 300 °C (570 °F) are a health and environmental hazard! They remain dangerous even after they have cooled.

Read and follow the safety precautions on [page 197](#).

Sealed bearings

- use the same seals as described under *Capped bearings*, [page 242](#)
- are lubricated for the life of the bearing and should not be washed or relubricated
- are virtually maintenance-free

When capped bearings must operate under certain conditions, such as very high speeds or high temperatures, grease may appear between the inner ring and capping device. For bearing arrangements where this would be detrimental, appropriate actions should be taken.



21 Hybrid bearings

Greases for sealed bearings

The standard grease, suitable for most common operating conditions of electric motors and generators, is indicated by the designation suffix WT ([table 3, page 245](#)).

For additional information about greases, refer to *Selecting a suitable grease*, [page 116](#).

Grease life

The estimated grease life is typically at least twice as long as for same-sized bearings with steel balls (*Grease life for capped bearings*, [page 246](#)).

XL hybrid bearings

- are identified by the designation suffix VA970
- are designed to meet the application requirements for electric generators in larger wind turbines
- are available for the most commonly used generator sizes ([product table, page 1050](#))

Hybrid cylindrical roller bearings

- are separable
- are suitable for high speeds
- accommodate heavy radial loads
- accommodate axial displacement ([fig. 4](#))
- are commonly used in electric motors, especially traction motors, and in applications running under severe operating conditions

Basic design bearings

The NU design cylindrical roller bearing, which has two integral flanges on the outer ring and no flanges on the inner ring, is the standard basic design for hybrid cylindrical roller bearings ([fig. 3](#)).

Hybrid bearings with special steel rings and coatings

For specific application requirements, hybrid bearings can be customized:

- bearing rings stabilized for temperatures $\leq 300\text{ }^{\circ}\text{C}$ ($570\text{ }^{\circ}\text{F}$)
- bearing rings made of through-hardened stainless steel for enhanced corrosion and wear-resistance and with good high-temperature properties
- bearing rings made of through-hardened stainless steel for cryogenic temperatures
- bearing rings made of high-temperature tool steel
- ring coating with zinc chromate or thin dense chromium for corrosion protection
- ring coating based on molybdenum for low friction, especially in vacuum or gas applications

For availability and detailed information, contact SKF.

Cages

SKF hybrid deep groove ball bearings are fitted with one of the following cages:

- a stamped steel cage, riveted, ball centred (no designation suffix)
- a glass fibre reinforced PA66 cage, snap-type, ball centred (designation suffix TN9)
- a glass fibre reinforced PEEK cage, snap-type, ball centred (designation suffix TNH)
- a machined brass cage, riveted, ball centred (designation suffix M)

For additional information, refer to *Cages*, [page 249](#).

SKF hybrid cylindrical roller bearings are fitted with one of the following cages:

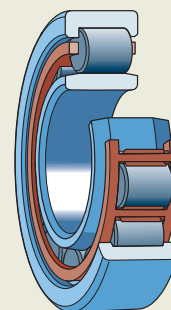
- a glass fibre reinforced PA66 cage, window-type, roller centred (designation suffix P)
- a glass fibre reinforced PEEK cage, window-type, roller centred (designation suffix PH)
- a machined brass cage, riveted, roller centred (designation suffix M)
- a machined brass cage, window-type, inner or outer ring centred (depending on bearing design) (designation suffix ML)

For additional information, refer to *Cages*, [page 502](#).

When used at high temperatures, some lubricants can have a detrimental effect on polyamide cages. For additional information about the suitability of cages, refer to *Cages*, [page 187](#).

Fig. 3

Hybrid cylindrical roller bearing

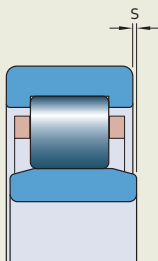


Bearing data

	Deep groove ball bearings	Cylindrical roller bearings
Dimension standards	Boundary dimensions: ISO 15	
Tolerances	Normal	Normal P6 geometrical tolerance
For additional information → page 35	ISO 492 (table 2, page 38 , and table 3, page 39)	
Internal clearance	C3 Check availability of other clearance classes	
For additional information → page 182	Values: ISO 5753-1 (table 6, page 252)	Values: ISO 5753-1 (table 3, page 506)
	Values are valid for unmounted bearings under zero measuring load.	
Permissible misalignment	Identical to standard bearings → page 250	Identical to standard bearings → page 504
Permissible axial displacement	–	s_{max} → product table, page 1056 NU design hybrid bearings can accommodate axial displacement (fig. 4). Displacement of the shaft relative to the housing occurs within these bearings. As a result, there is virtually no increase in friction.
Electrical properties	<ul style="list-style-type: none"> • Protection against AC and DC currents • High impedance, even for very high frequencies, providing good protection against high frequency current and voltage peaks • Voltage level before the first arcing occurs through the seal–bearing contact of small hybrid deep groove ball bearings (NBR contact seal): > 2,5 kV DC 	

Fig. 4

Axial displacement



Loads

For recommendations about minimum load, axial load carrying capacity and equivalent bearing loads, refer to *Loads* of the relevant standard bearing:

- *Deep groove ball bearings*, [page 254](#)
- *Cylindrical roller bearings*, [page 509](#)

The required hybrid bearing specific values and factors are listed in the relevant product tables:

- *Hybrid deep groove ball bearings*, [page 1050](#)
 - basic static load rating C_0
 - calculation factors f_0 and k_r
- *Hybrid cylindrical roller bearings*, [page 1056](#)
 - calculation factor k_r
 - reference speed

Axial preload

To provide low noise and high-speed operation, typically an axial preload to a bearing arrangement comprising two hybrid deep groove ball bearings is applied. Axial preload can be applied with spring washers, as described under *Preloading with springs*, [page 186](#).

Temperature limits

The permissible operating temperature for hybrid bearings can be limited by:

- the dimensional stability of the bearing rings
- the cage
- the seals
- the lubricant

Where temperatures outside the permissible range are expected, contact SKF.

Bearing rings

The rings of SKF hybrid bearings are heat stabilized up to at least:

- 120 °C (250 °F) for basic design hybrid deep groove ball bearings
- 150 °C (300 °F) for hybrid cylindrical roller bearings and XL hybrid deep groove ball bearings

On request, SKF can supply hybrid bearings with rings stabilized for operating temperatures up to 300 °C (570 °F).

Cages

Steel, brass or PEEK cages can be used at the same operating temperatures as the bearing rings of standard hybrid bearings. For temperature limits of other polymer cages, refer to *Polymer cages*, [page 188](#).

Seals

The permissible operating temperature for seals depends on the seal material:

- NBR: –40 to +100 °C (–40 to +210 °F)
Temperatures up to 120 °C (250 °F) can be tolerated for brief periods.
- FKM: –30 to +200 °C (–20 to +390 °F)
Temperatures up to 230 °C (445 °F) can be tolerated for brief periods.

Typically, temperature peaks are at the seal lip.

Lubricants

Temperature limits for the grease used in sealed SKF hybrid deep groove ball bearings are provided in [table 3, page 116](#). For temperature limits of other SKF greases, refer to *Selecting a suitable SKF grease*, [page 116](#).

When using lubricants not supplied by SKF, temperature limits should be evaluated according to the SKF traffic light concept ([page 117](#)).

Permissible speed

The speed ratings in the product tables (*Hybrid deep groove ball bearings*, [page 1050](#) and *Hybrid cylindrical roller bearings*, [page 1056](#)) indicate:

- the **reference speed**, which enables a quick assessment of the speed capabilities from a thermal frame of reference
- the **limiting speed**, which is a mechanical limit that should not be exceeded unless the bearing design and the application are adapted for higher speeds

For additional information, refer to *Operating temperature and speed*, [page 129](#).

SKF recommends oil lubrication for bearings with a ring centred cage (designation suffix ML). When these bearings are grease lubricated, the nd_m value is limited to $\leq 250\,000$ mm/min.

where

$$d_m = \text{bearing mean diameter [mm]} \\ = 0,5 (d + D)$$

$$n = \text{rotational speed [r/min]}$$



Designation system

Refer to *Designation system* of the relevant standard bearing:

- single row deep groove ball bearings, [page 258](#)
- single row cylindrical roller bearings, [page 514](#)

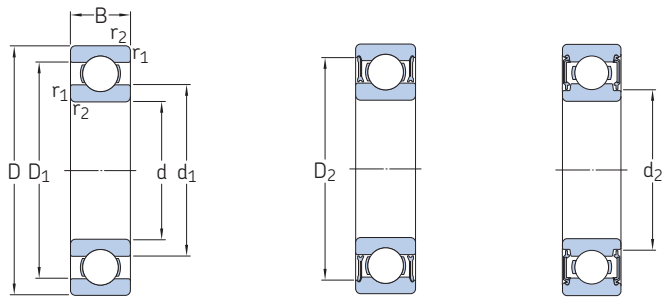
Additional designation suffixes used with SKF hybrid bearings are explained in the following.

- C3P** Displaced clearance range comprising the upper half of the C3 plus the lower half of the C4 clearance range
- F1** Grease fill 10–15% of the free space in the bearing
- HC5** Rolling elements made of silicon nitride
- S0** Bearing rings heat stabilized for operating temperatures ≤ 150 °C (300 °F)
- VA970** Special design deep groove ball bearing for wind turbine generators
- VC444** Bearing rings made of high nitrogen steel



21.1 Hybrid deep groove ball bearings

d 5 – 25 mm

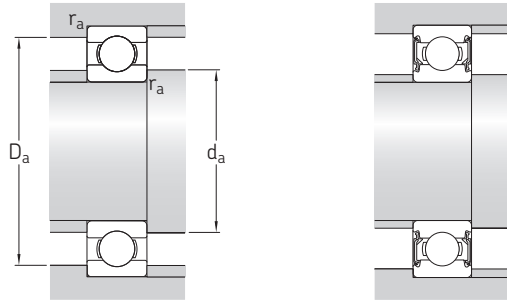


Sealed (2RZ)

Sealed (2RSL)

Principal dimensions			Basic load ratings		Fatigue load limit	Speed ratings		Mass	Designation
d	D	B	dynamic	static		Reference speed	Limiting speed		
			C	C ₀	P _u				
mm			kN		kN	r/min	kg	–	
5	16	5	1,14	0,38	0,016	125 000	67 000	0,005	▶ 625-2RZTN9/HC5C3WTF1
6	19	6	2,34	0,95	0,04	100 000	45 000	0,008	626-2RSLTN9/HC5C3WTF1
7	19	6	2,34	0,95	0,04	100 000	45 000	0,007	▶ 607-2RSLTN9/HC5C3WTF1
	22	7	3,45	1,37	0,057	85 000	40 000	0,012	▶ 627-2RSLTN9/HC5C3WTF1
8	22	7	3,45	1,37	0,057	85 000	40 000	0,01	▶ 608-2RSLTN9/HC5C3WTF1
10	26	8	4,75	1,96	0,083	70 000	32 000	0,018	▶ 6000-2RSLTN9/HC5C3WT
	26	8	4,75	1,96	0,083	70 000	45 000	0,019	6000/HC5C3
	30	9	5,4	2,36	0,1	65 000	30 000	0,032	▶ 6200-2RSLTN9/HC5C3WT
	30	9	5,4	2,36	0,1	65 000	40 000	0,032	6200/HC5C3
12	28	8	5,4	2,36	0,1	65 000	30 000	0,022	▶ 6001-2RSLTN9/HC5C3WT
	28	8	5,4	2,36	0,1	65 000	40 000	0,021	6001/HC5C3
	32	10	7,28	3,1	0,132	60 000	26 000	0,037	▶ 6201-2RSLTN9/HC5C3WT
	32	10	7,28	3,1	0,132	60 000	36 000	0,037	6201/HC5C3
15	32	9	5,85	2,85	0,12	56 000	24 000	0,03	▶ 6002-2RSLTN9/HC5C3WT
	32	9	5,85	2,85	0,12	56 000	34 000	0,03	6002/HC5C3
	35	11	8,06	3,75	0,16	50 000	22 000	0,044	▶ 6202-2RSLTN9/HC5C3WT
	35	11	8,06	3,75	0,16	50 000	32 000	0,045	6202/HC5C3
17	35	10	6,37	3,25	0,137	50 000	22 000	0,038	▶ 6003-2RSLTN9/HC5C3WT
	35	10	6,37	3,25	0,137	50 000	30 000	0,038	6003/HC5C3
	40	12	9,95	4,75	0,2	45 000	20 000	0,059	▶ 6203-2RSLTN9/HC5C3WT
	40	12	9,95	4,75	0,2	45 000	28 000	0,065	6203/HC5C3
20	42	12	9,95	5	0,212	40 000	19 000	0,062	▶ 6004-2RSLTN9/HC5C3WT
	42	12	9,95	5	0,212	40 000	26 000	0,067	6004/HC5C3
	47	14	13,5	6,55	0,28	38 000	17 000	0,097	▶ 6204-2RSLTN9/HC5C3WT
	47	14	13,5	6,55	0,28	38 000	24 000	0,11	6204/HC5C3
25	47	12	11,9	6,55	0,275	36 000	16 000	0,073	▶ 6005-2RSLTN9/HC5C3WT
	47	12	11,9	6,55	0,275	36 000	22 000	0,078	6005/HC5C3
	52	15	14,8	7,8	0,335	32 000	15 000	0,13	▶ 6205-2RSLTN9/HC5C3WT
	52	15	14,8	7,8	0,335	32 000	20 000	0,13	6205/HC5C3

▶ Popular item

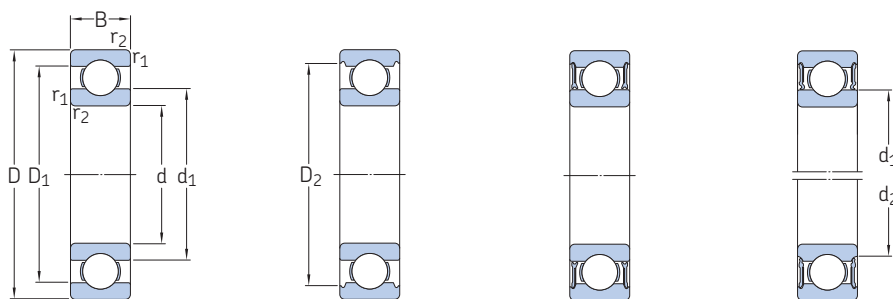


Dimensions					Abutment and fillet dimensions					Calculation factors	
d	d ₁ ≈	d ₂ ≈	D ₁ ≈	D ₂ ≈	r _{1,2} min.	d _a min.	d _a max.	D _a max.	r _a max.	k _r	f ₀
mm						mm				–	
5	8,4	–	–	13,3	0,3	7,4	8,3	13,6	0,3	0,025	8,4
6	–	9,5	–	16,5	0,3	7,4	9,4	16,6	0,3	0,025	13
7	–	9,5	–	16,5	0,3	9	9,4	17	0,3	0,025	13
	–	10,6	–	19,2	0,3	9,4	10,5	19,6	0,3	0,025	12
8	–	10,6	–	19,2	0,3	10	10,5	20	0,3	0,025	12
10	–	13	–	22,6	0,3	12	12,5	24	0,3	0,025	12
	14,8	–	21,2	–	0,3	12	–	24	0,3	0,025	12
	–	15,2	–	24,8	0,6	14,2	15	25,8	0,6	0,025	13
	17	–	23,2	–	0,6	14,2	–	25,8	0,6	0,025	13
12	–	15,2	–	24,8	0,3	14	15	26	0,3	0,025	13
	17	–	23,2	–	0,3	14	–	26	0,3	0,025	13
	–	16,6	–	27,4	0,6	16,2	16,5	27,8	0,6	0,025	12
	18,4	–	25,7	–	0,6	16,2	–	27,8	0,6	0,025	12
15	–	18,7	–	28,2	0,3	17	18,5	30	0,3	0,025	14
	20,5	–	26,7	–	0,3	17	–	30	0,3	0,025	14
	–	19,4	–	30,4	0,6	19,2	19,4	30,8	0,6	0,025	13
	21,7	–	29	–	0,6	19,2	–	30,8	0,6	0,025	13
17	–	20,7	–	31,4	0,3	19	20,5	33	0,3	0,025	14
	23	–	29,2	–	0,3	19	–	33	0,3	0,025	14
	–	22,2	–	35	0,6	21,2	22	35,8	0,6	0,025	13
	24,5	–	32,7	–	0,6	21,2	–	35,8	0,6	0,025	13
20	–	24,9	–	37,2	0,6	23,2	24,5	38,8	0,3	0,025	14
	27,2	–	34,8	–	0,6	23,2	–	38,8	0,3	0,025	14
	–	26,3	–	40,6	1	25,6	26	41,4	1	0,025	13
	28,8	–	38,5	–	1	25,6	–	41,4	1	0,025	13
25	–	29,7	–	42,2	0,6	28,2	29,5	43,8	0,3	0,025	14
	32	–	40	–	0,6	28,2	–	43,8	0,3	0,025	14
	–	31,8	–	46,3	1	30,6	31,5	46,4	1	0,025	14
	34,3	–	44	–	1	30,6	–	46,4	1	0,025	14



21.1 Hybrid deep groove ball bearings

d 30 – 65 mm

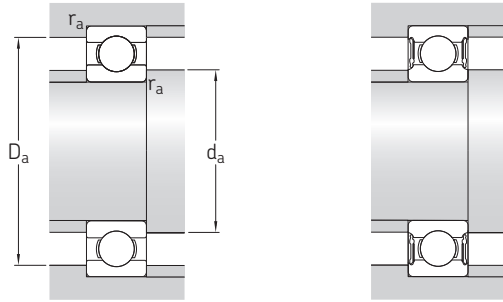


Sealed (2RZ)

Sealed (2RS1)

Principal dimensions			Basic load ratings		Fatigue load limit	Speed ratings		Mass	Designation
d	D	B	dynamic	static		Reference speed	Limiting speed		
			C	C ₀	P _u				
mm			kN		kN	r/min		kg	–
30	55	13	13,8	8,3	0,355	30 000	16 000	0,11	▶ 6006-2RZTN9/HC5C3WT
	55	13	13,8	8,3	0,355	30 000	19 000	0,12	6006/HC5C3
	62	16	20,3	11,2	0,475	28 000	15 000	0,18	▶ 6206-2RZTN9/HC5C3WT
35	62	14	16,8	10,2	0,44	26 000	14 000	0,15	▶ 6007-2RZTN9/HC5C3WT
	62	14	16,8	10,2	0,44	26 000	17 000	0,15	6007/HC5C3
	72	17	27	15,3	0,655	24 000	13 000	0,26	▶ 6207-2RZTN9/HC5C3WT
	72	17	27	15,3	0,655	24 000	15 000	0,29	6207/HC5C3
40	68	15	17,8	11	0,49	24 000	12 000	0,19	▶ 6008-2RZTN9/HC5C3WT
	68	15	17,8	11	0,49	24 000	15 000	0,19	6008/HC5C3
	80	18	32,5	19	0,8	20 000	11 000	0,34	▶ 6208-2RZTN9/HC5C3WT
	80	18	32,5	19	0,8	20 000	13 000	0,37	6208/HC5C3
45	75	16	22,1	14,6	0,64	20 000	13 000	0,24	6009/HC5C3
	85	19	35,1	21,6	0,915	20 000	10 000	0,42	▶ 6209-2RZTN9/HC5C3WT
	85	19	35,1	21,6	0,915	20 000	12 000	0,37	6209/HC5C3
	100	25	55,3	31,5	1,34	–	4 500	0,15	▶ 6309-2RS1TN9/HC5C3WT
50	90	20	37,1	23,2	0,98	–	4 800	0,44	▶ 6210-2RS1/HC5C3WT
	90	20	37,1	23,2	0,98	18 000	11 000	0,45	6210/HC5C3
	110	27	65	38	1,6	–	4 300	0,99	▶ 6310-2RS1/HC5C3WT
	110	27	65	38	1,6	16 000	10 000	1,1	6310/HC5C3
55	100	21	46,2	29	1,25	–	4 300	0,59	▶ 6211-2RS1/HC5C3WT
	100	21	46,2	29	1,25	16 000	10 000	0,61	6211/HC5C3
	120	29	74,1	45	1,9	–	3 800	1,4	▶ 6311-2RS1/HC5C3WT
	120	29	74,1	45	1,9	14 000	9 000	1,35	6311/HC5C3
60	110	22	55,3	36	1,53	–	4 000	0,71	▶ 6212-2RS1/HC5C3WT
	110	22	55,3	36	1,53	15 000	9 500	0,78	6212/HC5C3
	130	31	81,9	52	2,2	–	3 400	1,75	▶ 6312-2RS1/HC5C3WT
	130	31	85,2	52	2,2	13 000	8 500	1,7	6312/HC5C3
65	120	23	58,5	40,5	1,73	–	3 600	0,92	▶ 6213-2RS1/HC5C3WT
	120	23	58,5	40,5	1,73	14 000	8 500	1	6213/HC5C3
	140	33	97,5	60	2,5	–	3 200	2,15	▶ 6313-2RS1/HC5C3WT

▶ Popular item

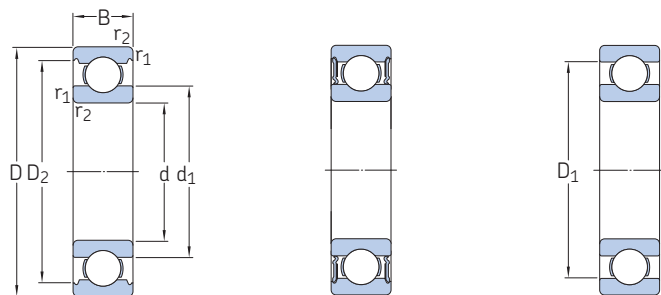


Dimensions					Abutment and fillet dimensions					Calculation factors	
d	d ₁ ≈	d ₂ ≈	D ₁ ≈	D ₂ ≈	r _{1,2} min.	d _a min.	d _a max.	D _a max.	r _a max.	k _r	f ₀
mm						mm				-	
30	38,2	-	-	49	1	34,6	38,1	50,4	0,3	0,025	15
	38,2	-	46,8	-	1	34,6	-	50,4	0,3	0,025	15
	40,3	-	-	54,1	1	35,6	40,3	56,4	1	0,025	14
35	43,7	-	-	55,6	1	39,6	43,7	57,4	0,3	0,025	15
	43,7	-	53,3	-	1	39,6	-	57,4	0,3	0,025	15
	46,9	-	-	62,7	1,1	42	46,8	65	1	0,025	14
	46,9	-	60	-	1,1	42	-	65	1	0,025	14
40	49,2	-	-	61,1	1	44,6	49,2	63,4	0,3	0,025	15
	49,2	-	58,8	-	1	44,6	-	63,4	0,3	0,025	15
	52,6	-	-	69,8	1,1	47	52,5	73	1	0,025	14
	52,6	-	67,4	-	1,1	47	-	73	1	0,025	14
45	54,7	-	65,3	-	1	50	-	70	0,3	0,025	15
	57,6	-	-	75,2	1,1	52	57,5	78	1	0,025	14
	56,6	-	72,4	-	1	52	-	78	1	0,025	14
	-	54	-	86,7	1,5	54	62,1	91	1,5	0,025	13
50	62,5	-	-	81,6	1,1	57	62,4	83	1	0,025	14
	62,5	-	-	81,6	1,1	57	-	83	1	0,025	14
	68,7	-	-	95,2	2	61	-	99	1,5	0,025	13
	68,7	-	-	95,2	2	61	-	99	2	0,025	13
55	69	-	-	89,4	1,5	64	69	91	1,5	0,025	14
	69	-	-	89,4	1,5	64	-	91	1,5	0,025	14
	75,3	-	-	104	2	66	-	109	2	0,025	13
	75,3	-	-	104	2	66	-	109	2	0,025	13
60	75,5	-	-	98	1,5	69	75,4	101	1,5	0,025	14
	75,5	-	-	98	1,5	69	-	101	1,5	0,025	14
	81,8	-	-	112	2,1	72	-	118	2	0,025	13
	81,8	-	-	112	2,1	72	-	118	2	0,025	13
65	83,3	-	-	106	1,5	74	83,2	111	1,5	0,025	15
	83,3	-	-	106	1,5	74	-	111	1,5	0,025	15
	88,3	-	-	121	2,1	77	88,3	128	2	0,025	13



21.1 Hybrid deep groove ball bearings

d 70 – 180 mm

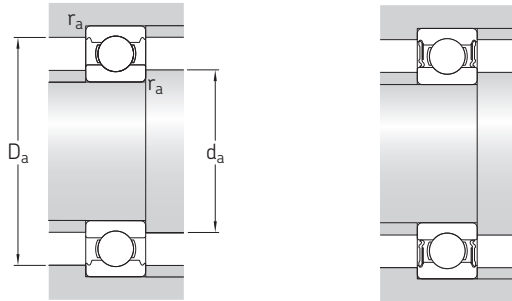


Sealed (2RS1)

VA970

Principal dimensions			Basic load ratings		Fatigue load limit	Speed ratings		Mass	Designation
d	D	B	dynamic	static		Reference speed	Limiting speed		
			C	C ₀	P _u				
mm			kN		kN	r/min		kg	–
70	125	24	63,7	45	1,9	–	3 400	1	▶ 6214-2RS1/HC5C3WT 6214/HC5C3 6314/HC5C3
	125	24	63,7	45	1,9	13 000	8 500	1,1	
	150	35	111	68	2,75	11 000	7 000	2,55	
75	130	25	68,9	49	2,04	–	3 200	1,05	▶ 6215-2RS1/HC5C3WT 6215/HC5C3 6315/HC5C3
	130	25	68,9	49	2,04	12 000	8 000	1,2	
	160	37	119	76,5	3	11 000	7 000	3,05	
80	140	26	72,8	55	2,2	11 000	7 000	1,3	6216/HC5C3 6316/HC5C3
	170	39	130	86,5	3,25	10 000	6 300	3,65	
85	150	28	87,1	64	2,5	11 000	70 000	1,8	6217/HC5C3 6317/HC5C3
	180	41	140	96,5	3,55	9 500	6 000	4,25	
90	160	30	101	73,5	2,8	10 000	6 300	1,95	6218/HC5C3 6318/HC5C3
	190	43	151	108	3,8	9 000	5 600	4,95	
95	170	32	114	81,5	3	9 500	6 000	2,65	6219/HC5C3 6319/HC5C3
	200	45	159	118	4,15	8 500	5 600	5,75	
100	180	34	127	93	3,35	9 000	5 600	3,2	6220/HC5C3 6320/HC5C3
	215	47	182	140	4,75	9 000	5 000	6,15	
110	240	50	197,291	175,334	4,15	8 000	4 300	9,1	▶ 6322/HC5C3S0VA970
120	260	55	210,618	199,897	4,55	7 000	4 000	12,5	▶ 6324/HC5C3S0VA970
130	280	58	223,245	223,442	4,9	6 700	3 800	15,5	▶ 6326/HC5C3S0VA970
140	300	62	279,21	265,927	7,1	6 300	3 600	15,5	▶ 6328/HC5C3S0VA970
150	320	65	303,174	306,454	7,8	6 000	3 200	20,5	▶ 6330/HC5C3S0VA970
160	340	68	347,528	391,111	7,65	5 300	2 800	24	▶ 6332/HC5C3S0VA970
170	360	72	347,528	391,111	7,65	5 300	2 800	30	▶ 6334/HC5C3S0VA970
180	380	75	330,979	391,111	7,65	5 300	2 800	36,5	▶ 6336/HC5C3PS0VA970

▶ Popular item

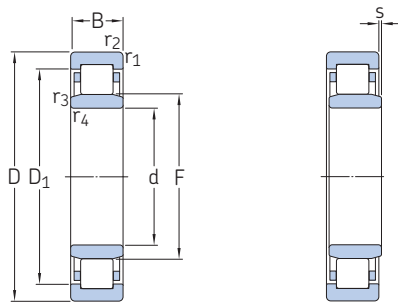


Dimensions					Abutment and fillet dimensions					Calculation factors	
d	d ₁ ≈	d ₂ ≈	D ₁ ≈	D ₂ ≈	r _{1,2} min.	d _a min.	d _a max.	D _a max.	r _a max.	k _r	f ₀
mm	mm										–
70	87	–	–	111	1,5	79	87	116	1,5	0,025	15
	87	–	–	111	1,5	79	–	116	1,5	0,025	15
	94,9	–	–	130	2,1	82	–	138	2	0,025	13
75	92	–	–	117	1,5	84	92	121	1,5	0,025	15
	92	–	–	117	1,5	84	–	121	1,5	0,025	15
	101	–	–	138	2,1	87	–	148	2	0,025	13
80	101	–	–	127	2	91	–	129	2	0,025	15
	108	–	–	147	2,1	92	–	158	2	0,03	13
85	106	–	–	135	2	96	–	139	2	0,025	15
	114	–	–	155	3	99	–	166	2,5	0,03	13
90	112	–	–	143	2	101	–	149	2	0,025	15
	121	–	–	164	3	104	–	176	2,5	0,03	13
95	118	–	–	151	2,1	107	–	158	2	0,025	14
	127	–	–	172	3	109	–	186	2,5	0,03	13
100	124	–	–	160	2,1	112	–	168	2	0,025	14
	135	–	–	184	3	114	–	201	2,5	0,03	13
110	160	–	198	–	3	124	–	226	2,5	0,03	15
120	175	–	216	–	3	134	–	246	2,5	0,03	15
130	189	–	228	–	4	147	–	263	3	0,03	15
140	189	–	250	–	4	157	–	283	3	0,03	14
150	205	–	264	–	4	167	–	303	3	0,03	14
160	236	–	295	–	4	177	–	323	3	0,03	14
170	236	–	295	–	4	187	–	343	3	0,03	14
180	236	–	295	–	4	197	–	363	3	0,03	14



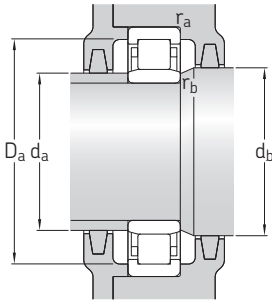
21.2 Hybrid cylindrical roller bearings

d 40 – 100 mm



Principal dimensions			Basic load ratings		Fatigue load limit	Speed ratings		Mass	Designation
d	D	B	dynamic C	static C ₀		Reference speed	Limiting speed		
mm			kN		kN	r/min		kg	–
40	68	15	25,1	26	3	13 000	22 000	0,21	▶ NU 1008 ML/HC5C3
45	75	16	44,6	52	6,3	12 000	13 000	0,19	▶ NU 1009 ECP/HC5C3
50	80	16	46,8	56	6,7	11 000	12 000	0,23	▶ NU 1010 ECP/HC5C3
	90	20	64,4	69,5	17,3	9 000	11 000	0,49	▶ NU 210 ECM/HC5C3
	110	27	110	112	15	7 000	10 000	0,93	▶ NU 310 ECM/HC5C3
55	90	18	57,2	69,5	8,3	10 000	11 000	0,4	▶ NU 1011 ECM/HC5C3
	100	21	84,2	95	24	8 000	10 000	0,54	▶ NU 211 ECM/HC5C3
	120	29	138	143	18,6	6 700	9 000	1,15	▶ NU 311 ECM/HC5C3
60	95	18	37,4	44	5,3	9 500	10 000	0,44	▶ NU 1012 M/HC5C3
	110	22	93,5	102	13,4	7 500	9 000	0,64	▶ NU 212 ECM/HC5C3
	130	31	173	160	21,2	6 000	8 000	1,45	▶ NU 312 ECM/HC5C3
65	100	18	62,7	81,5	9,8	9 000	9 500	0,38	▶ NU 1013 ECP/HC5C3
	120	23	106	118	15,6	6 700	8 500	0,83	▶ NU 213 ECM/HC5C3
	140	33	183	196	7,1	5 600	7 500	1,75	▶ NU 313 ECM/HC5C3
70	110	20	76,5	93	12	8 000	8 500	0,53	▶ NU 1014 ECP/HC5C3
	125	24	119	137	18	6 300	8 000	1,1	▶ NU 214 ECM/HC5C3
	150	35	205	228	7,1	5 300	7 000	2,15	▶ NU 314 ECM/HC5C3
75	115	20	58,3	71	8,5	7 500	8 500	0,61	▶ NU 1015 M/HC5C3
	130	25	130	156	20,4	6 000	7 500	1,2	▶ NU 215 ECM/HC5C3
80	125	22	99	127	16,3	7 000	7 500	0,88	▶ NU 1016 ECM/HC5C3
	140	26	138	166	21,2	5 600	7 000	1,5	▶ NU 216 ECM/HC5C3
85	130	22	68,2	86,5	10,8	6 700	7 500	0,95	▶ NU 1017 M/HC5C3
	150	28	165	200	5,5	5 300	6 700	1,75	▶ NU 217 ECM/HC5C3
90	140	24	80,9	104	12,7	6 300	7 000	1,2	▶ NU 1018 M/HC5C3
	160	30	183	220	27	5 000	6 300	2,1	▶ NU 218 ECM/HC5C3
95	145	24	84,2	110	13,2	6 000	10 000	1,3	▶ NU 1019 ML/HC5C3
100	150	24	85,8	114	13,7	6 000	6 300	1,3	▶ NU 1020 M/HC5C3

▶ Popular item



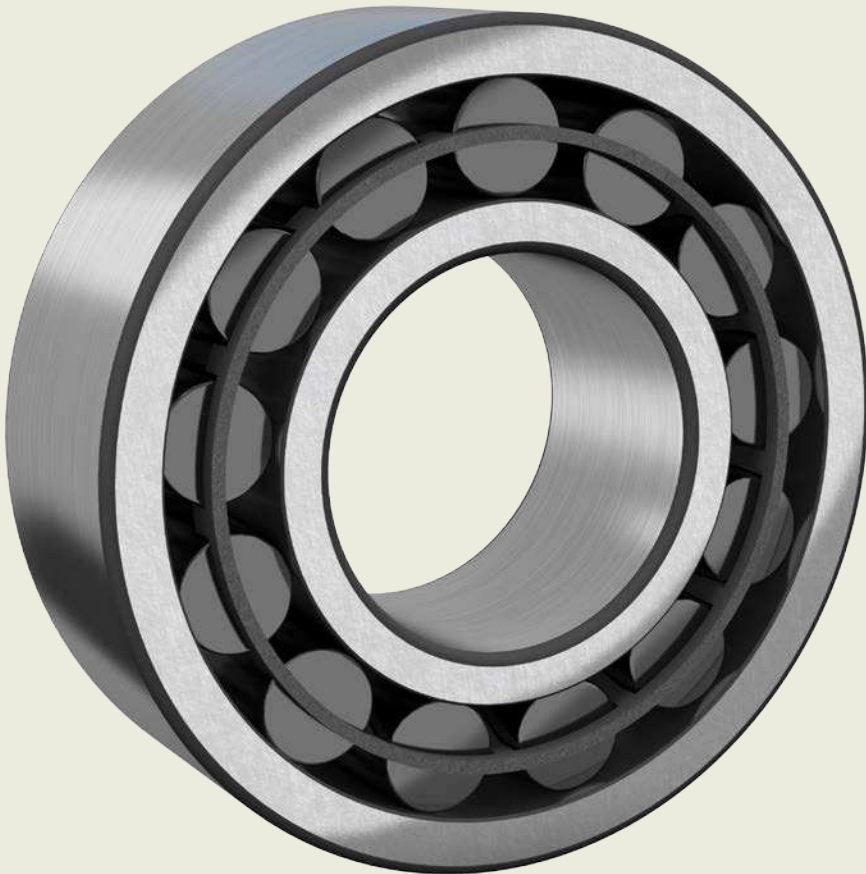
Dimensions						Abutment and fillet dimensions						Calculation factor
d	D ₁ ≈	F	r _{1,2} min.	r _{3,4} min.	s max.	d _a min.	d _a max.	d _b min.	D _a max.	r _a max.	r _b max.	k _r
mm						mm						–
40	57,6	47	1	0,6	2,4	43,2	45	49	63	1	1	0,15
45	65,3	52,5	1	0,6	0,9	48,2	51	54	70	1	0,6	0,1
50	70	57,5	1	0,6	1	53,2	56	60	75	1	1	0,1
	78	59,5	1,1	1,1	1,5	57	57	62	83	1	1	0,15
	92,1	65	2	2	1,9	61	63	67	99	2	2	0,15
55	79	64,5	1,1	1	0,5	59,6	63	67	84	1	1	0,1
	86,3	66	1,5	1,1	1	62	64	68	91	1,5	1,5	0,15
	101	70,5	2	2	2	66	68	73	109	2	2	0,15
60	81,6	69,5	1,1	1	2,9	64,6	68	72	89	1	1	0,1
	95,7	72	1,5	1,5	1,4	69	70	74	101	1,5	1,5	0,15
	110	77	2,1	2,1	2,1	72	74	79	118	2	2	0,15
65	88,5	74	1,1	1	1	69,6	72	77	94	1	1	0,1
	104	78,5	1,5	1,5	1,4	74	76	81	111	1,5	1,5	0,15
	119	82,5	2,1	2,1	2,2	77	80	85	127	2	2	0,15
70	97,5	79,5	1,1	1	1,3	74,6	78	82	104	1	1	0,1
	109	83,5	1,5	1,5	1,2	79	81	86	116	1,5	1,5	0,15
	127	89	2,1	2,1	1,8	82	86	92	137	2	2	0,15
75	101	85	1,1	1	3	79,6	83	87	109	1	1	0,1
	114	88,5	1,5	1,5	1,2	84	86	91	121	1,5	1,5	0,15
80	109	91,5	1,1	1	3,3	86	90	94	119	1	1	0,1
	123	95,3	2	2	1,4	91	93	98	129	2	2	0,15
85	114	96,5	1,1	1	3,3	89,6	95	99	124	1	1	0,1
	131	100,5	2	2	1,5	96	98	103	139	2	2	0,15
90	122	103	1,5	1,1	3,5	96	101	106	133	1,5	1	0,1
	140	107	2	2	1,8	101	104	110	149	2	2	0,15
95	127	108	1,5	1,1	3,5	101	106	111	138	1,5	1	0,15
100	132	113	1,5	1,1	3,5	106	111	116	143	1,5	1	0,1





22

NoWear coated bearings



22 NoWear coated bearings

Designs and variants	1061
Cages	1061
Bearing data	1062
Bearing service life	1062
Loads	1062
Minimum load	1062
Load carrying capacity, equivalent bearing loads	1062
Temperature limits	1062
Permissible speed	1062
Lubrication	1062
Designation system	1062



22 NoWear coated bearings

More information

General bearing knowledge	17
Bearing selection process	59
Lubrication	109
Bearing interfaces	139
Seat tolerances for standard conditions	148
Selecting internal clearance or preload	182
Sealing, mounting and dismounting	193

NoWear is a wear-resistant carbon coating that can be applied to the rolling elements and inner ring raceway(s) of a bearing (designation suffix L7DA) or only the rolling elements (designation suffix L5DA) (fig. 1).

A physical vapour deposition process applies the wear-resistant carbon coating. Thickness of the coating ranges from 1 to 3 µm, depending on the size of the bearing. The hardness of the coating is 1 200 HV10.

NoWear coated bearing surfaces retain the toughness of the underlying material while adopting the hardness, improved friction properties and wear-resistance of the coating.

During the running-in period, minute amounts of the coating material are transferred to the counter-surfaces. This coating reduces friction and improves resistance against wear and smearing, even in bearings where only the rolling elements are coated.

Bearing features

- **Long service life**
- **Withstand severe operating conditions**
 - increased risk of smearing
 - insufficient lubricating film
 - sudden load variations
 - light loads
 - rapid speed changes
 - vibration and oscillations

Applications

NoWear coated bearings may provide new possibilities for existing applications operating under severe conditions. They can provide new design possibilities while requiring no major design changes. Typical applications

Fig. 1

NoWear coated bearing



L5DA

where NoWear coated bearings are used include:

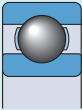
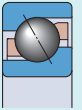
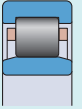
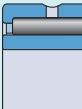
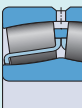
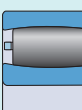

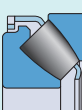
- paper machines
- marine and offshore applications
- fans
- compressors
- hydraulic pumps
- gearboxes
- hydraulic motors

NoWear coated bearings are not intended for vacuum or other completely dry running applications. The coating does not act as a barrier against oxygen and is therefore not recommended as a corrosion inhibitor.



Table 1

NoWear coated bearings – standard assortment

Bearing type Symbol	Range	Available variants	
	Deep groove ball bearings d = 15 to 140 mm	L5DA	L7DA
	Angular contact ball bearings d = 15 to 140 mm	L5DA	L7DA
	Cylindrical roller bearings d = 15 to 220 mm d > 220 mm	L5DA L5DA	L7DA –
	Needle roller bearings d = 15 to 220 mm d > 220 mm	L5DA L5DA	L7DA –
	Spherical roller bearings d = 15 to 220 mm d > 220 mm	L5DA L5DA	L7DA –
	CARB toroidal roller bearings d = 15 to 220 mm d > 220 mm	L5DA L5DA	L7DA –
	Thrust ball bearings d = 15 to 110 mm	L5DA	–
	Spherical roller thrust bearings all sizes	L5DA	–

The ranges are general guidelines only and may vary between the dimension series. For additional information, contact SKF.

Designs and variants

The most commonly used NoWear coated bearings have a coating on only the rolling elements (designation suffix L5DA). They are recommended for applications where the bearing load is light to normal, or where vibration and oscillating movements occur.

NoWear coated bearings that have the inner ring raceway(s) and rolling elements coated (designation suffix L7DA) are recommended for any of the following operating conditions:

- abrasive contaminants that can cause premature wear
- heavy loads
- unusual lubrication conditions such as bearings lubricated by the process media

Most SKF rolling bearings can be supplied as NoWear coated bearings. For variants not listed in [table 1](#), contact SKF.

Cages

Refer to *Cages* in the relevant product section of the standard bearing.



Bearing data

Dimension standards, tolerances, internal clearance, permissible misalignment

Refer to *Bearing data* in the relevant product section of the standard bearing.

Bearing service life

The extended bearing service life that NoWear can provide in high-speed, lightly loaded applications is difficult to calculate and depends on a variety of factors. However, experience has shown a multifold improvement in bearing service life.

For greased bearings that operate at speeds near or above the permissible speed, or at high temperatures that shorten the grease life, using NoWear potentially extends re-lubrication intervals.

When operating under marginal lubrication conditions, NoWear can extend bearing service life.

Loads

Minimum load

Owing to the material combination of NoWear/steel in the contact area, the risk of smearing damage is reduced. NoWear coated bearings are recommended for applications with light loads in combination with high speeds, where smearing damage is an issue.

Load carrying capacity, equivalent bearing loads

Refer to *Loads* in the relevant product section of the standard bearing.

Temperature limits

For temperature limits of the bearing, refer to *Temperature limits* in the relevant product section of the standard bearing.

The NoWear coating withstands temperatures up to 350 °C (660 °F).

Permissible speed

Refer to *Permissible speed* in the relevant product section of the standard bearing.

Lubrication

In general, the same lubrication guidelines are valid for NoWear coated bearings as for standard bearings (*Lubrication*, page 110). However, NoWear coated bearings can operate reliably even where adequate surface separation cannot be achieved. NoWear acts as a protective layer and may reduce the need for EP and AW additives in the lubricant.

Designation system

Refer to *Designation system* in the relevant product section of the standard bearing.

The designation suffixes used to identify NoWear coated bearings are:

L5DA Coated rolling elements

L7DA Coated rolling elements and inner ring raceway(s)

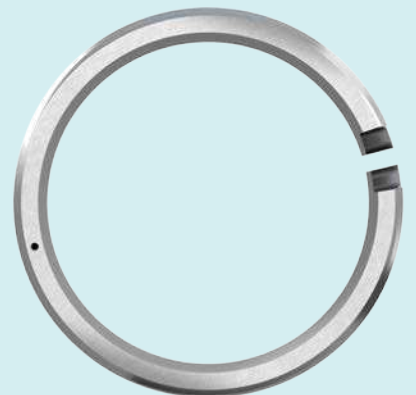






23

Adapter sleeves



23 Adapter sleeves

Designs and variants	1067
Sleeves for oil injection	1068
Sleeves for CARB toroidal roller bearings	1069
Sleeves for sealed bearings	1069
Product data	1070
(Dimension standards, tolerances, external taper, thread, shaft tolerances)	
Designation system	1071
Product tables	
23.1 Adapter sleeves for metric shafts	1072
23.2 Adapter sleeves with inch dimensions.	1076

23 Adapter sleeves

More information

SKF maintenance products

→ skf.com/mapro

SKF bearing maintenance handbook ISBN 978-91-978966-4-1

Adapter sleeves are the most commonly used components for locating bearings with a tapered bore onto a cylindrical seat as they can be used on (fig. 1):

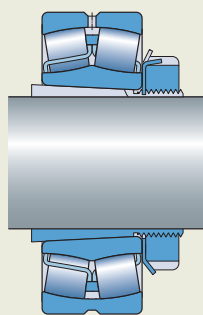
- plain shafts
- stepped shafts

They are easy to install and require no additional location on the shaft:

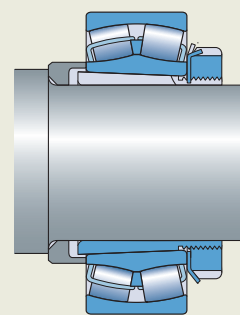
- When used on plain shafts, the bearing can be located at any position on the shaft.
- When used on stepped shafts together with an L-shaped spacer ring, the bearing can be accurately positioned axially, thereby facilitating bearing mounting and dismounting.

Fig. 1

Adapter sleeve assemblies



On a plain shaft



On a stepped shaft

Designs and variants

SKF supplies:

- metric adapter sleeves
 - with a metric bore
 - with an inch bore

These sleeves are not listed in this catalogue, but can be found online at skf.com/go/17000-23-3.

- inch adapter sleeves

The sleeves are slit and are supplied complete with a lock nut and locking device (fig. 2):

- Smaller sizes have a nut and a lock washer.
- Larger sizes have a nut and a locking clip or locking plate.

Metric sleeves:

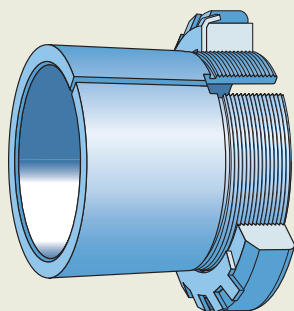
- with a bore diameter ≤ 180 mm (size ≤ 40) are phosphated
- with a bore diameter > 180 mm are coated with a solventless rust inhibitor

Inch sleeves are coated with a solventless rust inhibitor.

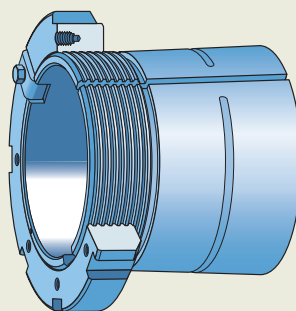
Adapter sleeves listed in the [product tables, page 1072](#), constitute the standard SKF assortment and are only part of the complete assortment. For larger sizes (bore diameter $\geq 1\,060$ mm) and variants not listed, contact SKF.

Fig. 2

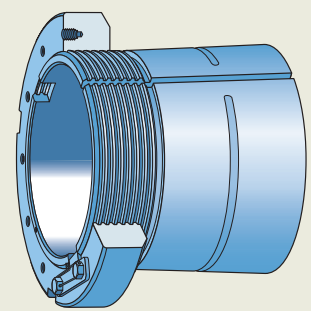
Basic designs



Sleeve with a nut and washer



Sleeve with a nut and clip



Sleeve with a nut and plate

Sleeves for oil injection

- enable use of the oil injection method to mount and dismount bearings
- are equipped with the necessary oil supply ducts and distribution grooves
 - as standard for metric sleeves with a bore diameter ≥ 200 mm (size ≥ 44)
 - on request for metric sleeves with a bore diameter ≥ 140 mm to < 200 mm
 - on request for inch sleeves with a bore diameter $\geq 4 \frac{5}{16}$ inches (size ≥ 26)
- include OH (metric) series, and OSNW and OSNP (inch) series

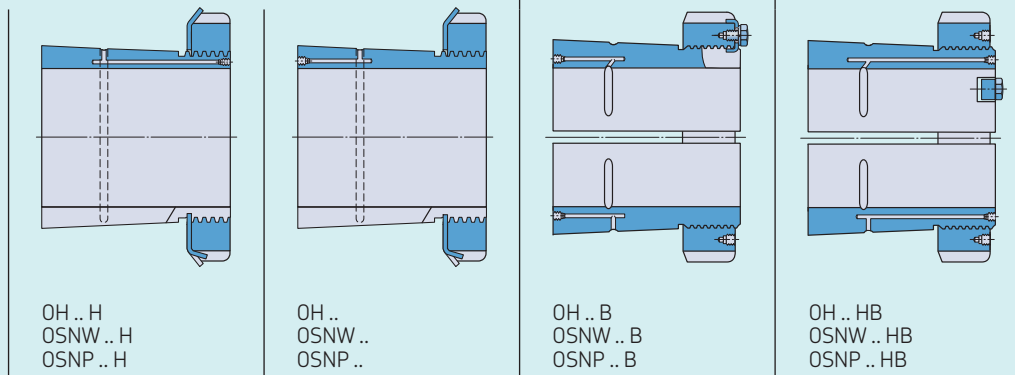
Thread details for the oil supply ducts and the appropriate hydraulic nut designations are listed in the [product tables, page 1072](#).

For information about oil injection equipment, refer to the catalogue *SKF Maintenance and Lubrication Products* or online at skf.com/mapro.

SKF manufactures sleeves for oil injection in four variants ([table 1](#)). Those with a designation suffix H are the SKF standard.

Table 1

Adapter sleeves for oil injection



	OH .. H OSNW .. H OSNP .. H	OH .. OSNW .. OSNP ..	OH .. B OSNW .. B OSNP .. B	OH .. HB OSNW .. HB OSNP .. HB
Designation suffix	H	None	B	HB
No. of oil supply ducts¹⁾ for:				
• all sleeves with a bore diameter < 200 mm	1	1	1	1
• metric sleeves with a bore diameter ≥ 200 mm	1	1	2	2
• inch sleeves with a bore diameter $\geq 4 \frac{5}{16}$ inches (made to order)	1	1	2	2
Position of oil supply duct(s)	At the threaded end of the sleeve	At the end opposite the threaded section	At the end opposite the threaded section	At the threaded end of the sleeve
Position of distribution groove(s)	In the outside surface	In the outside surface	In the bore and in the outside surface	In the bore and in the outside surface

¹⁾ When sleeves have two supply ducts, each duct feeds one of the distribution grooves. An arrow on the sleeve side face, next to the duct inlet, indicates which groove the duct feeds.

Sleeves for CARB toroidal roller bearings

- are specially designed to prevent the locking device from interfering with the cage

SKF manufactures sleeves for CARB toroidal roller bearings in three variants (fig. 3):

- **Sleeves with the designation suffix E**
 - are supplied with a KMFE lock nut in place of the standard KM lock nut and MB lock washer
 - are supplied with an HME lock nut in place of the standard HM 30 or HM 31 lock nut
- **Sleeves with the designation suffix L**
 - are supplied with a KML lock nut and MBL lock washer, both with low cross-sectional height, in place of the standard KM lock nut and MB lock washer
- **Sleeves with the designation suffix TL**
 - are supplied with an HM 30 lock nut and MS 30 locking clip, both with low cross-sectional height, in place of the standard HM .. T lock nut and MB lock washer

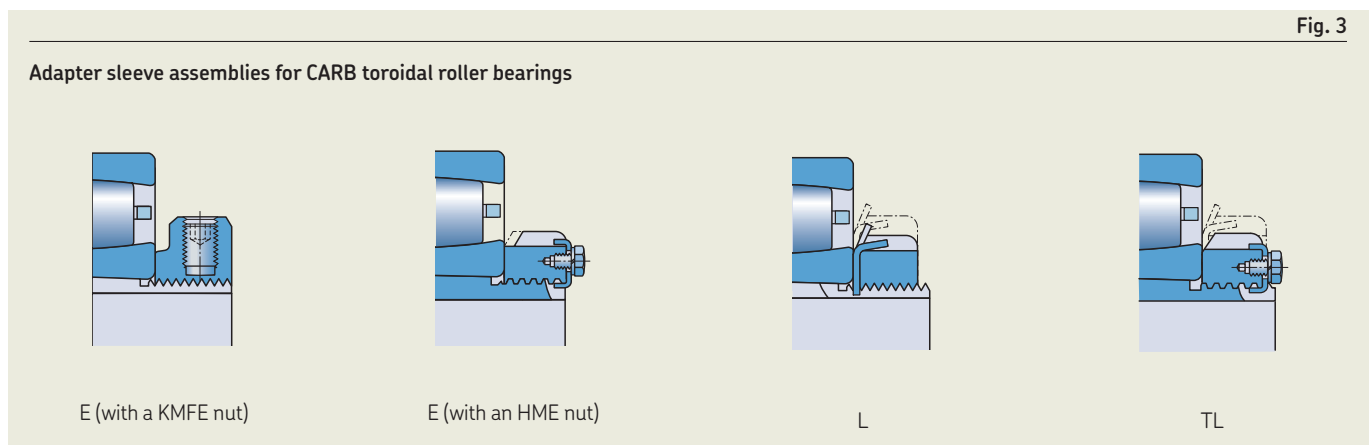
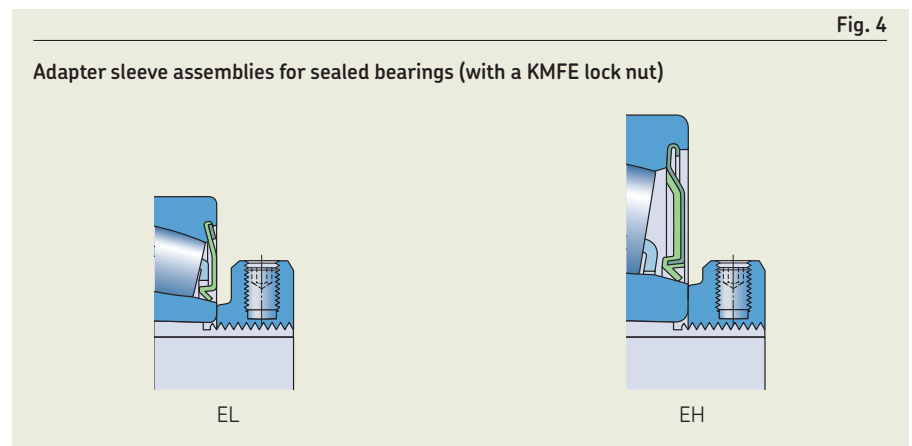
When using CARB bearings, check that there is sufficient space on both sides of the bearing to accommodate axial displacement.

Sleeves for sealed bearings

- are specially designed to prevent the locking device from interfering with the seals of sealed spherical roller bearings and sealed self-aligning ball bearings
- have the designation suffixes E, EL, EH, L, and TL (fig. 3 and fig. 4)

Adapter sleeve assemblies with the designation suffix EL or EH are supplied with one of the following, respectively:

- a KMFE .. L lock nut, which has a lower abutment diameter than the standard KMFE lock nut
- a KMFE .. H lock nut, which has a higher abutment diameter than the standard KMFE lock nut



Product data

	Metric series	Inch series
Dimension standards	ISO 2982-1, except for the bore diameter of sleeves for inch shafts	ANSI/ABMA Std. 8.2
Tolerances	Bore diameter: JS9 Width: h15	
External taper	1:12 as standard 1:30 as standard in the 40 and 41 dimension series	
Thread	<p>Bore diameter < 200 mm (size ≤ 40): metric thread in accordance with ISO 965-3, matching the included SKF lock nut</p> <p>Bore diameter ≥ 200 mm (size ≥ 44): metric trapezoidal thread in accordance with ISO 2903, matching the included SKF lock nut</p>	<p>Bore diameter ≤ 12 in. (size ≤ 64): Unified Special Form ANSI/ASME B1.1</p> <p>Bore diameter ≥ 12 7/16 in. (size ≥ 68): ACME thread class 3G</p>
Shaft tolerances	<p>h9Ⓢ</p> <p>Total radial run-out: IT5/2 – ISO 1101</p> <p>Adapter sleeves adjust to the shaft diameter so that wider diameter tolerances can be permitted compared to the seat of a bearing with a cylindrical bore. However, the geometrical tolerances must be kept within narrow limits as they directly affect the shaft positioning and vibration.</p>	

Designation system



Product type

H	Adapter sleeve, dimensions in accordance with ISO standard, basic design
HA	Adapter sleeve, dimensions in accordance with ISO standard, except the bore, in 1/16 in.
HE	Adapter sleeve, dimensions in accordance with ISO standard, except the bore, in 1/4 in.
HS	Adapter sleeve, dimensions in accordance with ISO standard, except the bore, in 1/8 in.
OH	Adapter sleeve, dimensions in accordance with ISO standard, prepared for oil injection
OSNP	Adapter sleeve, dimensions in accordance with ANSI standard, prepared for oil injection, with a locking plate
OSNW	Adapter sleeve, dimensions in accordance with ANSI standard, prepared for oil injection, with a lock washer
SNP	Adapter sleeve, dimensions in accordance with ANSI standard, with a locking plate
SNW	Adapter sleeve, dimensions in accordance with ANSI standard, with a lock washer
KH	Unthreaded sleeve, basic design
KOH	Unthreaded sleeve, prepared for oil injection

Size identification

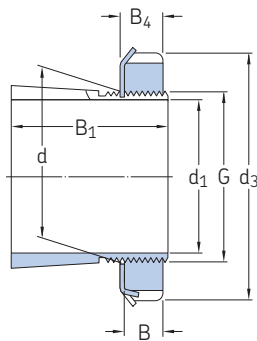
Listed in the [product tables, page 1072](#)

Suffixes

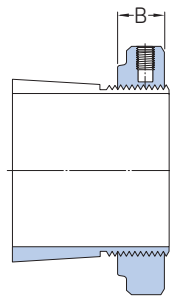
B	For adapter sleeves for oil injection: One or two oil supply ducts at the end opposite the threaded section For adapter sleeves for inch shafts: Whitworth thread
D	Sleeve split in two halves
E	Adapter sleeve without key slot, with a KMFE lock nut or standard adapter sleeve with an HME lock nut
EH	Adapter sleeve without key slot, with a KMFE .. H lock nut
EL	Adapter sleeve without key slot, with a KMFE .. L lock nut
G	Thread diameter changed according to revised ISO standard
H	One oil supply duct at the threaded end
HB	One or two oil supply ducts at the threaded end
L	Adapter sleeve with a lock nut with lower cross-sectional height
TL	Same as L, but with key slot positions for a locking clip

23.1 Adapter sleeves for metric shafts

d_1 17 – 180 mm



H



H..E

Principal dimensions											Mass	Designations			
d_1	d	d_3	B_1	B	B_4	B_5	G	G_2	G_3	A	Adapter sleeve assembly	Included products lock nut	locking device	Associated hydraulic nut	
mm											kg	–			
17	20	32	24	6	7	–	M 20x1	–	–	–	0,036	▶ H 204	KM 4	MB 4	–
	20	32	28	6	7	–	M 20x1	–	–	–	0,04	▶ H 304	KM 4	MB 4	–
	20	38	28	10,5	–	–	M 20x1	–	–	–	0,047	▶ H 304 E	KMFE 4	–	–
20	25	38	26	7	8	–	M 25x1,5	–	–	–	0,064	▶ H 205	KM 5	MB 5	–
	25	38	29	7	8	–	M 25x1,5	–	–	–	0,071	▶ H 305	KM 5	MB 5	–
	25	38	29	10,5	–	–	M 25x1,5	–	–	–	0,076	▶ H 305 E	KMFE 5	–	–
25	30	45	27	7	8	–	M 30x1,5	–	–	–	0,086	▶ H 206	KM 6	MB 6	–
	30	45	31	7	8	–	M 30x1,5	–	–	–	0,095	▶ H 306	KM 6	MB 6	–
	30	45	31	10,5	–	–	M 30x1,5	–	–	–	0,11	▶ H 306 E	KMFE 6	–	–
30	35	52	29	8	9	–	M 35x1,5	–	–	–	0,12	▶ H 207	KM 7	MB 7	–
	35	52	35	8	9	–	M 35x1,5	–	–	–	0,14	▶ H 307	KM 7	MB 7	–
	35	52	35	11,5	–	–	M 35x1,5	–	–	–	0,15	▶ H 307 E	KMFE 7	–	–
35	40	58	31	9	10	–	M 40x1,5	–	–	–	0,16	▶ H 208	KM 8	MB 8	–
	40	58	36	9	10	–	M 40x1,5	–	–	–	0,17	▶ H 308	KM 8	MB 8	–
	40	58	36	13	–	–	M 40x1,5	–	–	–	0,19	▶ H 308 E	KMFE 8	–	–
40	45	65	33	10	11	–	M 45x1,5	–	–	–	0,21	▶ H 209	KM 9	MB 9	–
	45	65	39	10	11	–	M 45x1,5	–	–	–	0,23	▶ H 309	KM 9	MB 9	–
	45	65	39	13	–	–	M 45x1,5	–	–	–	0,24	▶ H 309 E	KMFE 9	–	–
45	50	70	35	11	12	–	M 50x1,5	–	–	–	0,24	▶ H 210	KM 10	MB 10	HMV 10E
	50	70	42	11	12	–	M 50x1,5	–	–	–	0,27	▶ H 310	KM 10	MB 10	HMV 10 E
	50	70	42	14	–	–	M 50x1,5	–	–	–	0,3	▶ H 310 E	KMFE 10	–	HMV 10 E
50	55	75	37	11	12,5	–	M 55x2	–	–	–	0,28	▶ H 211	KM 11	MB 11	HMV 11E
	55	75	45	11	12,5	–	M 55x2	–	–	–	0,32	▶ H 311	KM 11	MB 11	HMV 11 E
	55	75	45	14	–	–	M 55x2	–	–	–	0,34	▶ H 311 E	KMFE 11	–	HMV 11 E
55	60	80	38	11	13	–	M 60x2	–	–	–	0,31	▶ H 212	KM 12	MB 12	HMV 12E
	60	80	47	11	13	–	M 60x2	–	–	–	0,36	▶ H 312	KM 12	MB 12	HMV 12 E
	60	80	47	14	–	–	M 60x2	–	–	–	0,4	▶ H 312 E	KMFE 12	–	HMV 12 E
60	65	85	40	12	13,5	–	M 65x2	–	–	–	0,36	▶ H 213	KM 13	MB 13	HMV 13E
	65	85	50	12	13,5	–	M 65x2	–	–	–	0,42	▶ H 313	KM 13	MB 13	HMV 13 E
	65	85	50	15	–	–	M 65x2	–	–	–	0,43	▶ H 313 E	KMFE 13	–	HMV 13 E
	65	85	65	15	–	–	M 65x2	–	–	–	0,53	▶ H 2313 E	KMFE 13	–	HMV 13 E
	70	92	52	12	13,5	–	M 70x2	–	–	–	0,67	▶ H 314	KM 14	MB 14	HMV 14 E
	70	92	52	15	–	–	M 70x2	–	–	–	0,67	▶ H 314 E	KMFE 14	–	HMV 14 E
65	75	98	43	13	14,5	–	M 75x2	–	–	–	0,66	▶ H 215	KM 15	MB 15	HMV 15E
	75	98	55	13	14,5	–	M 75x2	–	–	–	0,78	▶ H 315	KM 15	MB 15	HMV 15 E
	75	98	55	16	–	–	M 75x2	–	–	–	0,82	▶ H 315 E	KMFE 15	–	HMV 15 E

▶ Popular item

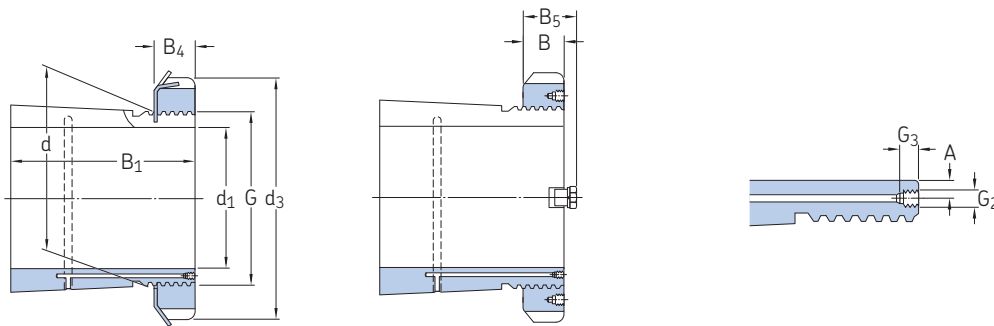
Principal dimensions											Mass	Designations			Associated hydraulic nut
d ₁	d	d ₃	B ₁	B	B ₄	B ₅	G	G ₂	G ₃	A	Adapter sleeve assembly	Included products lock nut	locking device		
mm											kg	–			
70	80	105	46	15	17	–	M 80x2	–	–	–	0,81	▶ H 216	KM 16	MB 16	HMV 16E
	80	105	59	15	17	–	M 80x2	–	–	–	0,95	▶ H 316	KM 16	MB 16	HMV 16 E
	80	105	59	18	–	–	M 80x2	–	–	–	1	▶ H 316 E	KMFE 16	–	HMV 16 E
75	85	110	50	16	18	–	M 85x2	–	–	–	0,94	▶ H 217	KM 17	MB 17	HMV 17E
	85	110	63	16	18	–	M 85x2	–	–	–	1,1	▶ H 317	KM 17	MB 17	HMV 17 E
	85	110	63	19	–	–	M 85x2	–	–	–	1,15	▶ H 317 E	KMFE 17	–	HMV 17 E
80	90	120	52	16	18	–	M 90x2	–	–	–	1,1	▶ H 218	KM 18	MB 18	HMV 18E
	90	120	65	16	18	–	M 90x2	–	–	–	1,3	▶ H 318	KM 18	MB 18	HMV 18 E
	90	120	65	19	–	–	M 90x2	–	–	–	1,45	▶ H 318 E	KMFE 18	–	HMV 18 E
85	95	125	55	17	19	–	M 95x2	–	–	–	1,25	▶ H 219	KM 19	MB 19	HMV 19E
	95	125	68	17	19	–	M 95x2	–	–	–	1,4	▶ H 319	KM 19	MB 19	HMV 19 E
	95	125	68	20	–	–	M 95x2	–	–	–	1,45	▶ H 319 E	KMFE 19	–	HMV 19 E
90	100	130	58	18	20	–	M 100x2	–	–	–	1,4	▶ H 220	KM 20	MB 20	HMV 20E
	100	130	71	18	20	–	M 100x2	–	–	–	1,6	▶ H 320	KM 20	MB 20	HMV 20 E
	100	130	71	21	–	–	M 100x2	–	–	–	1,7	▶ H 320 E	KMFE 20	–	HMV 20 E
	100	130	76	18	20	–	M 100x2	–	–	–	1,8	▶ H 3120	KM 20	MB 20	HMV 20 E
	100	130	76	21	–	–	M 100x2	–	–	–	1,8	▶ H 3120 E	KMFE 20	–	HMV 20 E
	100	130	97	21	–	–	M 100x2	–	–	–	2	▶ H 2320 E	KMFE 20	–	HMV 20 E
100	110	145	63	19	21	–	M 110x2	–	–	–	1,8	▶ H 222	KM 22	MB 22	HMV 22E
	110	145	77	19	21	–	M 110x2	–	–	–	2,05	▶ H 322	KM 22	MB 22	HMV 22 E
	110	145	77	21,5	–	–	M 110x2	–	–	–	2,1	▶ H 322 E	KMFE 22	–	HMV 22 E
	110	145	81	19	21	–	M 110x2	–	–	–	2,1	▶ H 3122	KM 22	MB 22	HMV 22 E
	110	145	81	21,5	–	–	M 110x2	–	–	–	2,15	▶ H 3122 E	KMFE 22	–	HMV 22 E
110	120	155	72	26	–	–	M 120x2	–	–	–	1,85	▶ H 3024 E	KMFE 24	–	HMV 24 E
	120	155	88	20	22	–	M 120x2	–	–	–	2,5	▶ H 3124	KM 24	MB 24	HMV 24 E
	120	155	112	26	–	–	M 120x2	–	–	–	3,1	▶ H 2324 E	KMFE 24	–	HMV 24 E
115	130	165	80	28	–	–	M 130x2	–	–	–	2,9	▶ H 3026 E	KMFE 26	–	HMV 26 E
	130	165	92	21	23	–	M 130x2	–	–	–	3,45	▶ H 3126	KM 26	MB 26	HMV 26 E
125	140	180	82	28	–	–	M 140x2	–	–	–	3,05	▶ H 3028 E	KMFE 28	–	HMV 28 E
	140	180	97	22	24	–	M 140x2	–	–	–	4,1	▶ H 3128	KM 28	MB 28	HMV 28 E
135	150	195	87	30	–	–	M 150x2	–	–	–	3,75	▶ H 3030 E	KMFE 30	–	HMV 30 E
	150	195	111	24	26	–	M 150x2	–	–	–	5,25	▶ H 3130	KM 30	MB 30	HMV 30 E
	150	195	111	30	–	–	M 150x2	–	–	–	4,7	▶ H 3130 E	KMFE 30	–	HMV 30 E
140	160	210	93	32	–	–	M 160x3	–	–	–	5,1	▶ H 3032 E	KMFE 32	–	HMV 32 E
	160	210	119	25	28	–	M 160x3	–	–	–	7,25	▶ H 3132	KM 32	MB 32	HMV 32 E
	160	210	119	32	–	–	M 160x3	–	–	–	7,35	▶ H 3132 E	KMFE 32	–	HMV 32 E
150	170	220	101	33	–	–	M 170x3	–	–	–	5,9	▶ H 3034 E	KMFE 34	–	HMV 34 E
	170	220	122	26	29	–	M 170x3	–	–	–	8,1	▶ H 3134	KM 34	MB 34	HMV 34 E
	170	220	122	33	–	–	M 170x3	–	–	–	8,1	▶ H 3134 E	KMFE 34	–	HMV 34 E
160	180	230	109	34	–	–	M 180x3	–	–	–	6,7	▶ H 3036 E	KMFE 36	–	HMV 36 E
	180	230	131	27	29,5	–	M 180x3	–	–	–	9,15	▶ H 3136	KM 36	MB 36	HMV 36 E
170	190	240	141	28	30,5	–	M 190x3	–	–	–	10,5	▶ H 3138	KM 38	MB 38	HMV 38 E
180	200	250	150	29	31,5	–	M 200x3	–	–	–	12	▶ H 3140	KM 40	MB 40	HMV 40 E

▶ Popular item



23.1 Adapter sleeves for metric shafts

d_1 200 – 500 mm



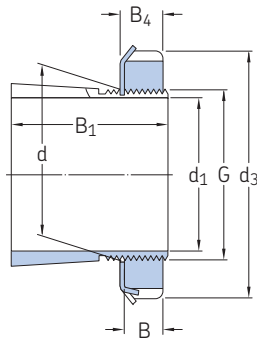
Principal dimensions											Mass	Designations			
d_1	d	d_3	B_1	B	B_4	B_5	G	G_2	G_3	A		Adapter sleeve assembly	Included products lock nut	locking device	Associated hydraulic nut
mm											kg	–			
200	220	260	126	30	–	41	Tr 220x4	M 6	9	6,5	9,9	▶ OH 3044 H	HM 3044	MS 3044	HMV 44E
	220	280	161	32	35	–	Tr 220x4	M 6	9	4,2	15	▶ OH 3144 H	HM 44 T	MB 44	HMV 44E
220	240	290	133	34	–	46	Tr 240x4	M 6	9	4,2	12	▶ OH 3048 H	HM 3048	MS 3052-48	HMV 48E
	240	300	172	34	37	–	Tr 240x4	M 6	9	4,2	16,5	▶ OH 3148 H	HM 48 T	MB 48	HMV 48E
240	260	310	145	34	–	46	Tr 260x4	M 6	9	4,2	13,5	▶ OH 3052 H	HM 3052	MS 3052-48	HMV 52E
	260	330	190	36	39	–	Tr 260x4	M 6	9	4,2	21	▶ OH 3152 H	HM 52 T	MB 52	HMV 52E
260	280	330	152	38	–	50	Tr 280x4	M 6	9	6,5	16	▶ OH 3056 H	HM 3056	MS 3056	HMV 56E
	280	350	195	38	41	–	Tr 280x4	M 6	9	4,2	23	▶ OH 3156 H	HM 56 T	MB 56	HMV 56E
280	300	360	168	42	–	54	Tr 300x4	M 6	9	6,5	20,5	▶ OH 3060 H	HM 3060	MS 3060	HMV 60E
	300	380	208	40	–	53	Tr 300x4	M 6	9	4,2	29	▶ OH 3160 H	HM 3160	MS 3160	HMV 60E
	300	380	240	40	–	53	Tr 300x4	M 6	9	4,2	32	▶ OH 3260 H	HM 3160	MS 3160	HMV 60E
300	320	380	171	42	–	55	Tr 320x5	M 6	9	6,5	22	▶ OH 3064 H	HM 3064	MS 3068-64	HMV 64E
	320	400	226	42	–	56	Tr 320x5	M 6	9	4	32	▶ OH 3164 H	HM 3164	MS 3164	HMV 64E
	320	400	258	42	–	56	Tr 320x5	M 6	9	4	35	OH 3264 H	HM 3164	MS 3164	HMV 64E
320	340	400	187	45	–	58	Tr 340x5	M 6	9	6,5	27	▶ OH 3068 H	HM 3068	MS 3068-64	HMV 68E
	340	440	254	55	–	72	Tr 340x5	M 6	9	4	50	▶ OH 3168 H	HM 3168	MS 3172-68	HMV 68E
	340	440	288	55	–	72	Tr 340x5	M 6	9	4	51,5	▶ OH 3268 H	HM 3168	MS 3172-68	HMV 68E
340	360	420	188	45	–	58	Tr 360x5	M 6	9	6,5	29	▶ OH 3072 H	HM 3072	MS 3072	HMV 72E
	360	460	259	58	–	75	Tr 360x5	M 6	9	4	56	▶ OH 3172 H	HM 3172	MS 3172-68	HMV 72E
	360	460	299	58	–	75	Tr 360x5	M 6	9	4	60,5	OH 3272 H	HM 3172	MS 3172-68	HMV 72E
360	380	450	193	48	–	62	Tr 380x5	M 6	9	6,5	35,5	▶ OH 3076 H	HM 3076	MS 3080-76	HMV 76E
	380	490	264	60	–	77	Tr 380x5	M 6	9	4	61,5	▶ OH 3176 H	HM 3176	MS 3176	HMV 76E
	380	490	310	60	–	77	Tr 380x5	M 6	9	4	69,5	OH 3276 H	HM 3176	MS 3176	HMV 76E
380	400	470	210	52	–	66	Tr 400x5	M 6	9	6,5	40	▶ OH 3080 H	HM 3080	MS 3080-76	HMV 80E
	400	520	272	62	–	82	Tr 400x5	M 6	9	4	73	▶ OH 3180 H	HM 3180	MS 3184-80	HMV 80E
	400	520	328	62	–	82	Tr 400x5	M 6	9	4	87	OH 3280 H	HM 3180	MS 3184-80	HMV 80E
400	420	490	212	52	–	66	Tr 420x5	M 6	9	6,5	47	▶ OH 3084 H	HM 3084	MS 3084	HMV 84E
	420	540	304	70	–	90	Tr 420x5	M 6	9	4	80	▶ OH 3184 H	HM 3184	MS 3184-80	HMV 84E
	420	540	352	70	–	90	Tr 420x5	M 6	9	4	96	OH 3284 H	HM 3184	MS 3184-80	HMV 84E
410	440	520	228	60	–	77	Tr 440x5	M 8	12	6,5	65	▶ OH 3088 H	HM 3088	MS 3092-88	HMV 88E
	440	560	307	70	–	90	Tr 440x5	M 8	12	6,5	95	▶ OH 3188 H	HM 3188	MS 3192-88	HMV 88E
	440	560	361	70	–	90	Tr 440x5	M 8	12	6,5	117	OH 3288 H	HM 3188	MS 3192-88	HMV 88E
430	460	540	234	60	–	77	Tr 460x5	M 8	12	6,5	71	▶ OH 3092 H	HM 3092	MS 3092-88	HMV 92E
	460	580	326	75	–	95	Tr 460x5	M 8	12	6,5	119	▶ OH 3192 H	HM 3192	MS 3192-88	HMV 92E

▶ Popular item

Principal dimensions											Mass	Designations			Associated hydraulic nut
d ₁	d	d ₃	B ₁	B	B ₄	B ₅	G		G ₂	G ₃	A	Adapter sleeve assembly	Included products lock nut	locking device	
mm											kg	–			
450	480	560	237	60	–	77	Tr 480x5	M 8	12	6,5	75	OH 3096 H	HM 3096	MS 30/500-96	HMV 96E
	480	620	335	75	–	95	Tr 480x5	M 8	12	6,5	135	OH 3196 H	HM 3196	MS 3196	HMV 96E
500	530	630	265	68	–	90	Tr 530x6	M 8	12	6,5	105	OH 30/530 H	HM 30/530	MS 30/600-530	HMV 106E

23.2 Adapter sleeves with inch dimensions

d_1 $\frac{3}{4}$ – $3\frac{1}{4}$ in.
19,05 – 82,55 mm



Principal dimensions							Thread	Mass	Designations	Included products		Associated
d_1	d	d_3 max.	B_1	B	B_4	B_5	G	Threads per inch	Adapter sleeve assembly	lock nut	locking device	hydraulic nut
in./mm	mm	in.					in.	–	–			
$\frac{3}{4}$ 19,05	25	1,568	1,259	0,416	0,456	–	0,969	32	▶ SNW 5x3/4	N 05	W 05	–
$\frac{15}{16}$ 23,813	30	1,755	1,343	0,416	0,456	–	1,173	18	▶ SNW 6x15/16	N 06	W 06	–
1 25,4	30	1,755	1,343	0,416	0,456	–	1,173	18	▶ SNW 6x1	N 06	W 06	–
$1\frac{1}{8}$ 28,575	35	2,068	1,449	0,448	0,488	–	1,376	18	▶ SNW 7x1.1/8	N 07	W 07	–
$1\frac{3}{16}$ 30,163	35	2,068	1,449	0,448	0,488	–	1,376	18	▶ SNW 7x1.3/16	N 07	W 07	–
$1\frac{1}{4}$ 31,75	35	2,068	1,449	0,448	0,488	–	1,376	18	▶ SNW 7x1.1/4	N 07	W 07	–
	40	2,255	1,494	0,448	0,496	–	0,496	18	▶ SNW 8x1.1/4	N 08	W 08	–
$1\frac{5}{16}$ 33,338	40	2,255	1,494	0,448	0,496	–	1,563	18	▶ SNW 8x1.5/16	N 08	W 08	–
	45	2,536	1,574	0,448	0,496	–	1,767	18	▶ SNW 9x1.5/16	N 09	W 09	–
$1\frac{3}{8}$ 34,925	40	2,255	1,494	0,448	0,496	–	1,563	18	▶ SNW 8x1.3/8	N 08	W 08	–
	45	2,536	1,574	0,448	0,496	–	1,767	18	▶ SNW 9x1.3/8	N 09	W 09	–
	45	2,536	2,123	0,448	0,496	–	1,767	18	▶ SNW 109x1.3/8	N 09	W 09	–
$1\frac{7}{16}$ 36,513	45	2,536	1,574	0,448	0,496	–	1,767	18	▶ SNW 9x1.7/16	N 09	W 09	–
	45	2,536	1,574	0,448	0,496	–	1,767	18	▶ SNW 109x1.7/16	N 09	W 09	–
$1\frac{1}{2}$ 38,1	45	2,536	1,574	0,448	0,496	–	1,767	18	▶ SNW 9x1.1/2	N 09	W 09	–
	45	2,536	2,123	0,448	0,496	–	1,767	18	▶ SNW 109x1.1/2	N 09	W 09	–
	50	2,536	1,755	0,448	0,558	–	1,967	18	▶ SNW 10x1.1/2	N 09	W 10	HMVC 10E
$1\frac{5}{8}$ 41,275	50	2,693	1,755	0,51	0,558	–	1,967	18	▶ SNW 10x1.5/8	N 10	W 10	HMVC 10E
	55	2,693	2,384	0,51	0,558	–	1,967	18	▶ SNW 110x1.5/8	N 10	W 10	HMVC 10E
$1\frac{11}{16}$ 42,863	50	2,693	1,755	0,51	0,558	–	1,967	18	▶ SNW 10x1.11/16	N 10	W 10	HMVC 10E
	50	2,693	2,384	0,51	0,558	–	1,967	18	▶ SNW 110x1.11/16	N 10	W 10	HMVC 10E
$1\frac{3}{4}$ 44,45	50	2,693	1,755	0,51	0,558	–	1,967	18	▶ SNW 10x1.3/4	N 10	W 10	HMVC 10E
	55	2,693	2,384	0,51	0,558	–	1,967	18	▶ SNW 110x1.3/4	N 10	W 10	HMVC 10E
	55	2,974	1,835	0,51	0,563	–	2,157	18	▶ SNW 11x1.3/4	N 11	W 11	HMVC 11E
$1\frac{13}{16}$ 46,038	55	2,974	1,835	0,51	0,563	–	2,157	18	▶ SNW 11x1.13/16	N 11	W 11	HMVC 11E

▶ Popular item

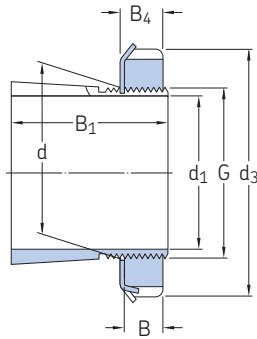
Principal dimensions							Thread	Mass	Designations	Included products		Associated hydraulic nut	
d ₁	d	d ₃ max.	B ₁	B	B ₄	B ₅	G	Threads per inch	Adapter sleeve assembly	lock nut	locking device		
in./mm	mm	in.					in.	–	kg	–			
1 7/8 47,625	55 55	2,974 2,974	1,835 2,506	0,51 0,51	0,563 0,563	– –	2,157 2,157	18 18	0,36 0,43	▶ SNW 11x1.7/8 SNW 111x1.7/8	N 11 N 11	W 11 W 11	HMVC 11E HMVC 11E
1 15/16 49,213	55 55	2,974 2,974	1,835 2,506	0,51 0,51	0,563 0,563	– –	2,157 2,157	18 18	0,36 0,43	▶ SNW 11x1.15/16 ▶ SNW 111x1.15/16	N 11 N 11	W 11 W 11	HMVC 11E HMVC 11E
2 50,8	55 55 65	2,974 2,974 3,38	1,835 2,506 2,09	0,51 0,51 0,573	0,563 0,563 0,573	– – –	2,157 2,157 2,548	18 18 18	0,36 0,43 0,64	▶ SNW 11x2 SNW 111x2 ▶ SNW 13x2	N 11 N 11 N 13	W 11 W 11 W 13	HMVC 11E HMVC 11E HMVC 13E
2 1/16 52,388	60	3,161	2,649	0,541	0,594	–	2,36	18	0,73	▶ SNW 112x2.1/16	N 12	W 12	HMVC 12E
2 1/8 53,975	65 65	3,38 3,38	2,09 2,09	0,573 0,573	0,626 0,626	– –	2,548 2,548	18 18	0,64 0,79	SNW 13x2.1/8 SNW 113x2.1/8	N 13 N 13	W 13 W 13	HMVC 13E HMVC 13E
2 3/16 55,563	65 65	3,38 3,38	2,09 2,761	0,573 0,573	0,626 0,626	– –	2,548 2,548	18 18	0,64 0,79	▶ SNW 13x2.3/16 ▶ SNW 113x2.3/16	N 13 N 13	W 13 W 13	HMVC 13E HMVC 13E
2 1/4 57,15	65 65	3,38 3,38	2,09 2,761	0,573 0,573	0,626 0,626	– –	2,548 2,548	18 18	0,64 0,79	▶ SNW 13x2.1/4 ▶ SNW 113x2.1/4	N 13 N 13	W 13 W 13	HMVC 13E HMVC 13E
2 5/16 58,738	65	3,38	2,09	0,573	0,626	–	2,548	18	0,64	▶ SNW 13x2.5/16	N 13	W 13	HMVC 13E
2 3/8 60,325	75 75	3,88 3,88	2,286 3,074	0,604 0,604	0,666 0,666	– –	2,933 2,933	12 12	1 1,35	▶ SNW 15x2.3/8 SNW 115x2.3/8	AN 15 AN 15	W 15 W 15	HMVC 15E HMVC 15E
2 7/16 61,913	75 75	3,88 3,88	2,286 3,074	0,604 0,604	0,666 0,666	– –	2,933 2,933	12 12	1 1,35	▶ SNW 15x2.7/16 ▶ SNW 115x2.7/16	AN 15 AN 15	W 15 W 15	HMVC 15E HMVC 15E
2 1/2 63,5	75 75	3,88 3,88	2,286 3,074	0,604 0,604	0,666 0,666	– –	2,933 2,933	12 12	1 1,35	SNW 15x2.1/2 SNW 115x2.1/2	AN 15 AN 15	W 15 W 15	HMVC 15E HMVC 15E
2 5/8 66,675	80 80	4,161 4,161	2,366 3,194	0,604 0,604	0,666 0,666	– –	3,137 3,137	12 12	1,1 1,45	SNW 16x2.5/8 SNW 116x2.5/8	AN 16 AN 16	W 16 W 16	HMVC 16E HMVC 16E
2 11/16 68,263	80 80	4,161 4,161	2,366 3,194	0,604 0,604	0,666 0,666	– –	3,137 3,137	12 12	1,1 1,45	▶ SNW 16x2.11/16 ▶ SNW 116x2.11/16	AN 16 AN 16	W 16 W 16	HMVC 16E HMVC 16E
2 3/4 69,85	80 80	4,161 4,161	2,366 3,194	0,604 0,604	0,666 0,666	– –	3,137 3,137	12 12	1,1 1,45	▶ SNW 16x2.3/4 SNW 116x2.3/4	AN 16 AN 16	W 16 W 16	HMVC 16E HMVC 16E
2 13/16 71,438	85 85	4,411 4,411	2,476 3,302	0,635 0,635	0,697 0,697	– –	3,34 3,34	12 12	1,3 1,55	SNW 17x2.13/16 SNW 117x2.13/16	AN 17 AN 17	W 17 W 17	HMVC 17E HMVC 17E
2 7/8 73,025	85 85	4,411 4,411	2,476 3,302	0,635 0,635	0,697 0,697	– –	3,34 3,34	12 12	1,3 1,55	SNW 17x2.7/8 SNW 117x2.7/8	AN 17 AN 17	W 17 W 17	HMVC 17E HMVC 17E
2 15/16 74,613	85 85	4,411 4,411	2,476 3,302	0,635 0,635	0,697 0,697	– –	3,34 3,34	12 12	1,3 1,55	▶ SNW 17x2.15/16 ▶ SNW 117x2.15/16	AN 17 AN 17	W 17 W 17	HMVC 17E HMVC 17E
3 76,2	85 85	4,411 4,411	2,476 3,302	0,635 0,635	0,697 0,697	– –	3,34 3,34	12 12	1,3 1,55	▶ SNW 17x3 ▶ SNW 117x3	AN 17 AN 17	W 17 W 17	HMVC 17E HMVC 17E
3 1/16 77,788	90 90	4,661 4,661	2,636 3,543	0,698 0,698	0,782 0,782	– –	3,527 3,527	12 12	1,4 1,8	▶ SNW 18x3.1/16 SNW 118x3.1/16	AN 18 AN 18	W 18 W 18	HMVC 18E HMVC 18E
3 1/8 79,375	90 90	4,661 4,661	2,636 3,543	0,698 0,698	0,782 0,782	– –	3,527 3,527	12 12	1,4 1,8	SNW 18x3.1/8 SNW 118x3.1/8	AN 18 AN 18	W 18 W 18	HMVC 18E HMVC 18E
3 3/16 80,963	90 90	4,661 4,661	2,636 3,543	0,698 0,698	0,782 0,782	– –	3,527 3,527	12 12	1,4 1,8	SNW 18x3.3/16 ▶ SNW 118x3.3/16	AN 18 AN 18	W 18 W 18	HMVC 18E HMVC 18E
3 1/4 82,55	90 90	4,661 4,661	2,636 3,543	0,698 0,698	0,782 0,782	– –	3,527 3,527	12 12	1,4 1,8	SNW 18x3.1/4 SNW 118x3.1/4	AN 18 AN 18	W 18 W 18	HMVC 18E HMVC 18E

▶ Popular item



23.2 Adapter sleeves with inch dimensions

d_1 3 5/16 – 5 1/4 in.
84,138 – 133,35 mm



Principal dimensions							Thread	Mass	Designations	Included products		Associated
d_1	d	d_3 max.	B_1	B	B_4	B_5	G	Threads per inch	Adapter sleeve assembly	lock nut	locking device	hydraulic nut
in./mm	mm	in.					in.	–	–			
3 5/16 84,138	95	4,943	2,75	0,729	0,813	–	3,73	12	▶ SNW 19x3.5/16	AN 19	W 19	HMVC 19E
	95	4,943	3,692	0,729	0,813	–	3,73	12	▶ SNW 119x3.5/16	AN 19	W 19	HMVC 19E
	100	5,193	2,859	0,76	0,844	–	3,918	12	SNW 20x3.5/16	AN 20	W 20	HMVC 20E
	100	3,918	3,961	0,76	0,844	–	3,918	12	SNW 120x3.5/16	AN 20	W 20	HMVC 20E
3 3/8 85,725	100	5,193	2,859	0,76	0,844	–	3,918	12	SNW 20x3.3/8	AN 20	W 20	HMVC 20E
	100	5,193	3,961	0,76	0,844	–	3,918	12	SNW 120x3.3/8	AN 20	W 20	HMVC 20E
3 7/16 87,313	100	5,193	2,859	0,76	0,844	–	3,918	12	▶ SNW 20x3.7/16	AN 20	W 20	HMVC 20E
	100	5,193	3,961	0,76	0,844	–	3,918	12	▶ SNW 120x3.7/16	AN 20	W 20	HMVC 20E
3 1/2 88,9	100	5,193	2,859	0,76	0,844	–	3,918	12	▶ SNW 20x3.1/2	AN 20	W 20	HMVC 20E
	100	5,193	3,961	0,76	0,844	–	3,918	12	▶ SNW 120x3.1/2	AN 20	W 20	HMVC 20E
3 11/16 93,663	105	5,443	2,977	0,76	0,844	–	4,122	12	▶ SNW 21x3.11/16	AN 21	W 21	HMVC 21E
	105	5,443	4,157	0,76	0,844	–	4,122	12	▶ SNW 121x3.11/16	AN 21	W 21	HMVC 21E
	110	5,724	3,196	0,791	0,906	–	4,325	12	SNW 22x3.11/16	AN 22	W 22	HMVC 22E
	110	5,724	4,338	0,791	3,693	–	4,325	6	SNW 122x3.11/16	AN 22	W 22	HMVC 22E
3 3/4 95,25	110	5,724	4,338	0,791	0,906	–	4,325	12	SNW 122x3.3/4	AN 22	W 22	HMVC 22E
3 13/16 96,838	110	5,724	3,196	0,791	0,906	–	4,325	12	SNW 22x3.13/16	AN 22	W 22	HMVC 22E
	110	5,724	4,338	0,791	0,906	–	4,325	12	SNW 122x3.13/16	AN 22	W 22	HMVC 22E
3 7/8 98,425	110	5,724	3,196	0,791	0,906	–	4,325	12	SNW 22x3.7/8	AN 22	W 22	HMVC 22E
	4,338	5,724	4,338	0,791	0,906	–	4,325	12	SNW 122x3.7/8	AN 22	W 22	HMVC 22E
3 15/16 100,013	110	5,724	3,196	0,791	0,906	–	4,325	12	▶ SNW 22x3.15/16	AN 22	W 22	HMVC 22E
	110	5,724	4,338	0,791	0,906	–	4,325	12	▶ SNW 122x3.15/16	AN 22	W 22	HMVC 22E
4 101,6	110	5,724	3,196	0,791	0,906	–	4,325	12	▶ SNW 22x4	AN 22	W 22	HMVC 22E
	110	5,724	4,338	0,791	0,906	–	4,325	12	SNW 122x4	AN 22	W 22	HMVC 22E
	120	6,13	2,937	0,823	0,938	–	4,716	12	SNW 3024x4	AN 24	W 24	HMVC 24E
	120	6,13	3,456	0,823	0,938	–	4,716	12	SNW 24x4	AN 24	W 24	HMVC 24E
	120	6,13	4,638	0,823	0,938	–	4,716	12	SNW 124x4	AN 24	W 24	HMVC 24E
4 1/16 103,188	120	5,693	2,937	0,823	0,938	–	4,716	12	SNW 3024x4.1/16	N 024	W 024	HMVC 24E
	120	6,13	3,456	0,823	0,938	–	4,716	12	SNW 24x4.1/16	AN 24	W 24	HMVC 24E
	120	6,13	4,638	0,823	0,938	–	4,716	12	SNW 124x4.1/16	AN 24	W 24	HMVC 24E
4 1/8 104,775	120	5,693	2,937	0,823	0,938	–	4,716	12	SNW 3024x4.1/8	N 024	W 024	HMVC 24E
	120	6,13	3,456	0,823	0,938	–	4,716	12	SNW 24x4.1/8	AN 24	W 24	HMVC 24E
	120	6,13	4,638	0,823	0,938	–	4,716	12	SNW 124x4.1/8	AN 24	W 24	HMVC 24E

▶ Popular item

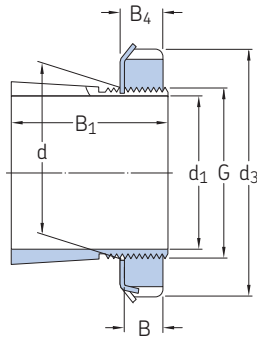
Principal dimensions							Thread	Mass	Designations	Included products		Associated hydraulic nut	
d ₁	d	d ₃ max.	B ₁	B	B ₄	B ₅	G	Threads per inch	Adapter sleeve assembly	lock nut	locking device		
in./mm	mm	in.					in.	–	kg	–			
4 3/16 106,363	120	5,693	2,937	0,823	0,938	–	4,716	12	2,8	▶ SNW 3024x4.3/16	N 024	W 024	HMVC 24E
	120	5,693	3,456	0,823	0,938	–	4,716	12	2,65	▶ SNW 3124x4.3/16	N 024	W 024	HMVC 24E
	120	6,13	3,456	0,823	0,938	–	4,716	12	3	▶ SNW 24x4.3/16	AN 24	W 24	HMVC 24E
	120	6,13	4,638	0,823	0,938	–	4,716	12	3,55	▶ SNW 124x4.3/16	AN 24	W 24	HMVC 24E
4 1/4 107,95	120	5,693	2,937	0,823	0,938	–	4,716	12	2,8	▶ SNW 3024x4.1/4	N 024	W 024	HMVC 24E
	120	5,693	3,456	0,823	0,938	–	4,716	12	2,65	▶ SNW 3124x4.1/4	N 024	W 024	HMVC 24E
	120	6,13	3,456	0,823	0,938	–	4,716	12	3	▶ SNW 24x4.1/4	AN 24	W 24	HMVC 24E
	120	6,13	4,638	0,823	0,938	–	4,716	12	3,55	▶ SNW 124x4.1/4	AN 24	W 24	HMVC 24E
4 5/16 109,538	130	6,13	3,227	0,885	1	–	5,106	12	3,4	▶ SNW 3026x4.5/16	N 026	W 026	HMVC 26E
	130	6,755	3,752	0,885	1	–	5,106	12	4,4	▶ SNW 26x4.5/16	AN 26	W 26	HMVC 26E
	130	6,755	4,972	0,885	1	–	5,106	12	5,65	▶ SNW 126x4.5/16	AN 26	W 26	HMVC 26E
4 3/8 111,125	130	6,13	3,227	0,885	1	–	5,106	12	3,4	▶ SNW 3026x4.3/8	N 026	W 026	HMVC 26E
	130	6,755	3,752	0,885	1	–	5,106	12	4,4	▶ SNW 26x4.3/8	AN 26	W 26	HMVC 26E
	130	6,755	4,972	0,885	1	–	5,106	12	5,65	▶ SNW 126x4.3/8	AN 26	W 26	HMVC 26E
4 7/16 112,713	130	6,13	3,227	0,885	1	–	5,106	12	3,4	▶ SNW 3026x4.7/16	N 026	W 026	HMVC 26E
	130	6,13	3,752	0,885	1	–	5,106	12	3,8	▶ SNW 3126x4.7/16	N 026	W 026	HMVC 26E
	130	6,755	3,752	0,885	1	–	5,106	12	4,4	▶ SNW 26x4.7/16	AN 26	W 26	HMVC 26E
	130	6,755	4,972	0,885	1	–	5,106	12	5,65	▶ SNW 126x4.7/16	AN 26	W 26	HMVC 26E
	140	7,099	5,313	0,948	1	–	5,497	12	5,9	▶ SNW 128x4.7/16	AN 28	W 28	HMVC 28E
	140	7,099	5,313	0,948	1,063	–	5,497	12	5,9	▶ SNW 128x4.7/16	AN 28	W 28	HMVC 28E
4 1/2 114,3	130	6,13	3,227	0,885	1	–	5,106	12	3,4	▶ SNW 3026x4.1/2	N 026	W 026	HMVC 26E
	130	6,13	3,752	0,885	1	–	5,106	12	3,8	▶ SNW 3126x4.1/2	N 026	W 026	HMVC 26E
	130	6,755	3,752	0,885	1	–	5,106	12	4,4	▶ SNW 26x4.1/2	AN 26	W 26	HMVC 26E
	130	6,755	4,972	0,885	1	–	5,106	12	5,65	▶ SNW 126x4.1/2	AN 26	W 26	HMVC 26E
4 13/16 122,238	140	6,505	3,33	0,948	1,063	–	5,497	12	3,8	▶ SNW 3028x4.13/16	N 028	W 028	HMVC 28E
	140	7,099	3,971	0,948	1,063	–	5,497	12	4,75	▶ SNW 28x4.13/16	AN 28	W 28	HMVC 28E
	140	7,099	5,313	0,948	1,063	–	5,497	12	5,9	▶ SNW 128x4.13/16	AN 28	W 28	HMVC 28E
4 7/8 123,825	140	6,505	3,33	0,948	1,063	–	5,497	12	3,8	▶ SNW 3028x4.7/8	N 028	W 028	HMVC 28E
	140	7,099	3,971	0,948	1,063	–	5,497	12	4,75	▶ SNW 28x4.7/8	AN 28	W 28	HMVC 28E
	140	7,099	5,313	0,948	0,906	–	5,497	12	5,9	▶ SNW 128x4.7/8	AN 28	W 28	HMVC 28E
4 15/16 125,413	140	6,505	3,33	0,948	1,063	–	5,888	12	3,8	▶ SNW 3028x4.15/16	N 028	W 028	HMVC 28E
	140	6,505	3,971	0,948	1,063	–	5,497	12	4	▶ SNW 3128x4.15/16	N 028	W 028	HMVC 28E
	140	7,099	3,971	0,948	1,063	–	5,497	12	4,75	▶ SNW 28x4.15/16	AN 28	W 28	HMVC 28E
	140	7,099	5,313	0,948	1,063	–	5,497	12	5,9	▶ SNW 128x4.15/16	AN 28	W 28	HMVC 28E
5 127	140	6,505	3,33	0,948	1,063	–	5,497	12	3,8	▶ SNW 3028x5	N 028	W 028	HMVC 28E
	140	6,505	3,971	0,948	1,063	–	5,497	12	4	▶ SNW 3128x5	N 028	W 028	HMVC 28E
	140	7,099	3,971	0,948	1,063	–	5,497	12	4,75	▶ SNW 28x5	AN 28	W 28	HMVC 28E
	140	7,099	5,313	0,948	0,906	–	5,497	12	5,9	▶ SNW 128x5	AN 28	W 28	HMVC 28E
5 1/8 130,175	150	7,13	3,482	0,979	1,094	–	5,888	12	4,45	▶ SNW 3030x5.1/8	N 030	W 030	HMVC 30E
	150	7,693	4,231	0,979	1,125	–	5,888	12	7,25	▶ SNW 30x5.1/8	AN 30	W 30	HMVC 30E
	150	7,693	5,611	0,979	1,125	–	5,888	12	8,15	▶ SNW 130x5.1/8	AN 30	W 30	HMVC 30E
5 3/16 131,763	150	7,13	3,482	0,979	1,094	–	5,888	12	4,45	▶ SNW 3030x5.3/16	N 030	W 030	HMVC 30E
	150	7,13	4,231	0,979	1,094	–	5,888	12	6,2	▶ SNW 3130x5.3/16	N 030	W 030	HMVC 30E
	150	7,693	4,231	0,979	1,125	–	5,888	12	7,25	▶ SNW 30x5.3/16	AN 30	W 30	HMVC 30E
	150	7,693	5,611	0,979	1,125	–	5,888	12	8,15	▶ SNW 130x5.3/16	AN 30	W 30	HMVC 30E
5 1/4 133,35	150	7,13	3,482	0,979	1,094	–	5,888	12	4,45	▶ SNW 3030x5.1/4	N 030	W 030	HMVC 30E
	150	7,693	4,231	0,979	1,125	–	5,888	12	7,25	▶ SNW 30x5.1/4	AN 30	W 30	HMVC 30E
	150	7,693	5,611	0,979	1,125	–	5,888	12	8,15	▶ SNW 130x5.1/4	AN 30	W 30	HMVC 30E

▶ Popular item



23.2 Adapter sleeves with inch dimensions

d_1 5 5/16 – 7 13/16 in.
134,938 – 198,438 mm



Principal dimensions							Thread	Mass	Designations	Included products		Associated
d_1	d	d_3 max.	B_1	B	B_4	B_5	G	Threads per inch	Adapter sleeve assembly	lock nut	locking device	hydraulic nut
in./mm	mm	in.					in.	–	–			
5 5/16 134,938	150	7,693	4,231	0,979	1,125	–	5,888	12	▶ SNW 30x5.5/16	AN 30	W 30	HMVC 30E
	150	7,693	5,611	0,979	1,125	–	6,284	12	▶ SNW 130x5.5/16	AN 30	W 30	HMVC 30E
	180	9,068	6,446	1,104	1,104	–	7,066	8	▶ SNW 136x5.5/16	AN 36	W 36	HMVC 36E
5 3/8 136,525	150	7,693	4,231	0,979	1,125	–	5,888	12	▶ SNW 30x5.3/8	AN 30	W 30	HMVC 30E
	150	7,693	5,611	0,979	1,125	–	6,284	12	▶ SNW 130x5.3/8	AN 30	W 30	HMVC 30E
	160	7,505	3,701	1,041	1,156	–	6,284	8	▶ SNW 3032x5.3/8	N 032	W 032	HMVC 32E
	160	8,068	4,568	1,041	1,187	–	6,284	8	▶ SNW 32x5.3/8	AN 32	W 32	HMVC 32E
	160	8,068	5,91	1,041	1,187	–	6,284	8	▶ SNW 132x5.3/8	AN 32	W 32	HMVC 32E
	180	9,068	6,446	1,104	1,104	–	7,066	8	▶ SNW 136x5.3/8	AN 36	W 36	HMVC 36E
5 7/16 138,113	160	7,505	3,701	1,041	1,156	–	6,284	8	▶ SNW 3032x5.7/16	N 032	W 032	HMVC 32E
	160	7,505	4,568	1,041	1,156	–	6,284	8	▶ SNW 3132x5.7/16	N 032	W 032	HMVC 32E
	160	8,068	4,568	1,041	1,187	–	6,284	8	▶ SNW 32x5.7/16	AN 32	W 32	HMVC 32E
	160	8,068	5,91	1,041	1,187	–	6,284	8	▶ SNW 132x5.7/16	AN 32	W 32	HMVC 32E
5 1/2 139,7	160	7,505	3,701	1,041	1,156	–	6,284	8	▶ SNW 3032x5.1/2	N 032	W 032	HMVC 32E
	160	8,068	8,068	1,041	1,187	–	6,284	8	▶ SNW 32x5.1/2	AN 32	W 32	HMVC 32E
	160	8,068	5,91	1,041	1,187	–	6,284	8	▶ SNW 132x5.1/2	AN 32	W 32	HMVC 32E
5 3/4 146,05	160	8,068	4,568	1,041	1,187	–	6,284	8	▶ SNW 32x5.3/4	AN 32	W 32	HMVC 32E
5 13/16 147,638	170	7,88	4,009	1,073	1,188	–	6,659	8	▶ SNW 3034x5.13/16	N 034	W 034	HMVC 34E
	170	8,661	4,837	1,073	1,219	–	6,659	8	▶ SNW 34x5.13/16	AN 34	W 34	HMVC 34E
	170	8,661	6,178	1,073	1,219	–	6,659	8	▶ SNW 134x5.13/16	AN 34	W 34	HMVC 34E
5 7/8 149,225	170	7,88	4,009	1,073	1,188	–	6,659	8	▶ SNW 3034x5.7/8	N 034	W 034	HMVC 34E
	170	8,661	4,837	1,073	1,219	–	6,659	8	▶ SNW 34x5.7/8	AN 34	W 34	HMVC 34E
	170	8,661	6,178	1,073	1,219	–	6,659	8	▶ SNW 134x5.7/8	AN 34	W 34	HMVC 34E
5 15/16 150,813	170	7,88	4,009	1,073	1,188	–	6,659	8	▶ SNW 3034x5.15/16	N 034	W 034	HMVC 34E
	170	7,88	4,837	1,073	1,188	–	6,659	8	▶ SNW 3134x5.15/16	N 034	W 034	HMVC 34E
	170	8,661	4,837	1,073	1,219	–	6,659	8	▶ SNW 34x5.15/16	AN 34	W 34	HMVC 34E
	170	8,661	6,178	1,073	1,219	–	6,659	8	▶ SNW 134x5.15/16	AN 34	W 34	HMVC 34E
6 152,4	170	7,88	4,009	1,073	1,188	–	6,659	8	▶ SNW 3034x6	N 034	W 034	HMVC 34E
	170	7,88	4,837	1,073	1,188	–	6,659	8	▶ SNW 3134x6	N 034	W 034	HMVC 34E
	170	8,661	8,661	1,073	1,219	–	6,659	8	▶ SNW 34x6	AN 34	W 34	HMVC 34E
	170	8,661	6,178	1,073	1,219	–	6,659	8	▶ SNW 134x6	AN 34	W 34	HMVC 34E
6 5/16 160,338	180	8,255	4,327	1,104	1,219	–	7,066	8	▶ SNW 3036x6.5/16	N 036	W 036	HMVC 36E
	180	9,068	5,028	1,104	1,25	–	7,066	8	▶ SNW 36x6.5/16	AN 36	W 36	HMVC 36E
	180	9,068	6,446	1,104	6,3175	–	7,066	8	▶ SNW 136x6.5/16	AN 36	W 36	HMVC 36E

▶ Popular item

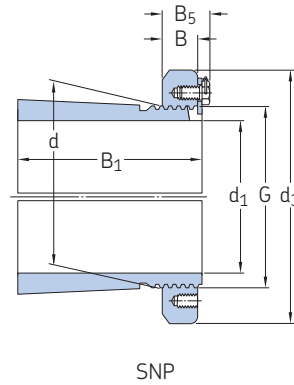
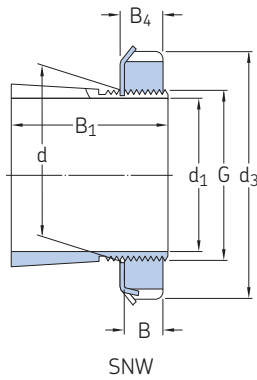
Principal dimensions							Thread	Mass	Designations	Included products		Associated hydraulic nut	
d ₁	d	d ₃ max.	B ₁	B	B ₄	B ₅	G	Threads per inch	Adapter sleeve assembly	lock nut	locking device		
in./mm	mm	in.					in.	–	kg	–			
6 3/8 161,925	180	8,255	4,327	1,104	1,219	–	7,066	8	6,8	SNW 3036x6.3/8	N 036	W 036	HMVC 36E
	180	9,068	5,028	1,104	1,25	–	7,066	8	9,3	SNW 36x6.3/8	AN 36	W 36	HMVC 36E
	180	9,068	6,446	1,104	1,104	–	7,066	8	10	SNW 136x6.3/8	AN 36	W 36	HMVC 36E
6 7/16 163,513	180	8,255	4,327	1,104	1,219	–	7,066	8	6,8	▶ SNW 3036x6.7/16	N 036	W 036	HMVC 36E
	180	8,255	5,028	1,104	1,219	–	7,066	8	7,75	▶ SNW 3136x6.7/16	N 036	W 036	HMVC 36E
	180	9,068	5,028	1,104	1,25	–	7,066	8	9,3	▶ SNW 36x6.7/16	AN 36	W 36	HMVC 36E
	180	9,068	6,446	1,104	1,25	–	7,066	8	10	▶ SNW 136x6.7/16	AN 36	W 36	HMVC 36E
6 1/2 165,1	180	8,255	4,327	1,104	1,219	–	7,066	8	6,8	SNW 3036x6.1/2	N 036	W 036	HMVC 36E
	180	8,255	5,028	1,104	1,219	–	7,066	8	7,75	SNW 3136x6.1/2	N 036	W 036	HMVC 36E
	180	9,068	5,028	1,104	1,25	–	7,066	8	9,3	▶ SNW 36x6.1/2	AN 36	W 36	HMVC 36E
	180	9,068	6,446	1,104	1,104	–	7,066	8	10	SNW 136x6.1/2	AN 36	W 36	HMVC 36E
6 13/16 173,038	190	8,693	4,402	1,135	1,25	–	7,472	8	7,5	SNW 3038x6.13/16	N 038	W 038	HMVC 38E
	190	9,474	5,251	1,135	1,281	–	7,472	8	10,5	SNW 38x6.13/16	AN 38	W 38	HMVC 38E
	190	9,474	6,748	1,135	1,281	–	7,472	8	12,5	SNW 138x6.13/16	AN 38	W 38	HMVC 38E
6 7/8 174,625	190	8,693	4,402	1,135	1,25	–	7,472	8	7,5	SNW 3038x6.7/8	N 038	W 038	HMVC 38E
	190	9,474	5,251	1,135	1,281	–	7,472	8	10,5	SNW 38x6.7/8	AN 38	W 38	HMVC 38E
	190	9,474	6,748	1,135	1,281	–	7,472	8	12,5	SNW 138x6.7/8	AN 38	W 38	HMVC 38E
6 15/16 176,213	180	9,068	6,446	1,104	1,104	–	7,066	8	10	SNW 136x6.15/16	AN 36	W 36	HMVC 36E
	190	8,693	4,402	1,135	1,25	–	7,472	8	7,5	▶ SNW 3038x6.15/16	N 038	W 038	HMVC 38E
	190	8,693	5,251	1,135	1,25	–	7,472	8	8,95	▶ SNW 3138x6.15/16	N 038	W 038	HMVC 38E
	190	9,474	5,251	1,135	1,281	–	7,472	8	10,5	▶ SNW 38x6.15/16	AN 38	W 38	HMVC 38E
	190	9,474	6,748	1,135	1,281	–	7,472	8	12,5	▶ SNW 138x6.15/16	AN 38	W 38	HMVC 38E
7 177,8	190	8,693	4,402	1,135	1,25	–	7,472	8	7,5	▶ SNW 3038x7	N 038	W 038	HMVC 38E
	190	8,693	5,251	1,135	1,25	–	7,472	8	8,95	▶ SNW 3138x7	N 038	W 038	HMVC 38E
	190	9,474	5,251	1,135	1,281	–	7,472	8	10,5	▶ SNW 38x7	AN 38	W 38	HMVC 38E
	190	9,474	6,748	1,135	1,281	–	7,472	8	12,5	▶ SNW 138x7	AN 38	W 38	HMVC 38E
7 1/8 180,975	20	9,849	7,085	1,198	1,344	–	7,847	8	16	SNW 140x7.1/8	AN 40	W 40	HMVC 40E
	200	9,443	4,74	1,198	1,313	–	7,847	8	8,85	SNW 3040x7.1/8	N 040	W 040	HMVC 40E
	200	9,849	5,474	1,198	1,344	–	7,847	8	14	SNW 40x7.1/8	AN 40	W 40	HMVC 40E
7 3/16 182,563	200	9,443	4,74	1,198	1,313	–	7,847	8	8,85	▶ SNW 3040x7.3/16	N 040	W 040	HMVC 40E
	200	9,443	5,474	1,198	1,313	–	7,847	8	13	▶ SNW 3140x7.3/16	N 040	W 040	HMVC 40E
	200	9,849	5,474	1,198	1,344	–	7,847	8	14	▶ SNW 40x7.3/16	AN 40	W 40	HMVC 40E
	200 220	9,849 11,005	7,085 7,227	1,198 1,26	1,344 1,406	–	7,847 8,628	8 8	16 21	▶ SNW 140x7.3/16 SNW 144x7.3/16	AN 40 N 44	W 40 W 44	HMVC 40E HMVC 44E
7 1/4 184,15	20	9,849	7,085	1,198	1,344	–	7,847	8	16	SNW 140x7.1/4	AN 40	W 40	HMVC 40E
	200	9,443	4,74	1,198	1,313	–	7,847	8	8,85	SNW 3040x7.1/4	N 040	W 040	HMVC 40E
	200	9,849	5,474	1,198	1,344	–	7,847	8	14	SNW 40x7.1/4	AN 40	W 40	HMVC 40E
7 7/16 188,913	200	9,443	4,74	1,198	1,313	–	7,847	8	8,85	SNW 3040x7.7/16	N 040	W 040	HMVC 40E
7 1/2 190,5	220	11,005	5,891	1,26	1,406	–	8,628	8	14,5	SNW 44x7.1/2	N 44	W 44	HMVC 44E
	220	11,005	7,227	1,26	1,406	–	8,628	8	21	SNW 144x7.1/2	N 44	W 44	HMVC 44E
7 13/16 198,438	200	9,849	7,085	1,198	1,344	–	7,847	8	16	SNW 140x7.13/16	AN 40	W 40	HMVC 40E
	220	10,255	5,12	1,26	1,375	–	8,628	8	11	SNW 3044x7.13/16	N 044	W 044	HMVC 44E
	220	11,005	5,891	1,26	1,406	–	8,628	8	14,5	SNW 44x7.13/16	N 44	W 44	HMVC 44E
	220	11,005	7,227	1,26	1,406	–	8,628	8	21	SNW 144x7.13/16	N 44	W 44	HMVC 44E

▶ Popular item



23.2 Adapter sleeves with inch dimensions

d_1 7 7/8 – 16 1/2 in.
200,025 – 419,1 mm



Principal dimensions							Thread	Mass	Designations	Included products		Associated	
d_1	d	d_3 max.	B_1	B	B_4	B_5	G	Threads per inch	Adapter sleeve assembly	lock nut	locking device	hydraulic nut	
in./mm	mm	in.					in.	–	–				
7 7/8 200,025	200	9,849	7,085	1,198	1,344	–	7,847	8	16	SNW 140x7.7/8	AN 40	W 40	HMVC 40E
	220	10,255	5,12	1,26	1,375	–	8,628	8	11	SNW 3044x7.7/8	N 044	W 044	HMVC 44E
	220	11,005	5,891	1,26	1,406	–	8,628	8	14,5	SNW 44x7.7/8	N 44	W 44	HMVC 44E
	220	11,005	7,227	1,26	1,406	–	8,628	8	21	SNW 144x7.7/8	N 44	W 44	HMVC 44E
7 15/16 201,613	220	10,255	5,12	1,26	1,375	–	8,628	8	11	▶ SNW 3044x7.15/16	N 044	W 044	HMVC 44E
	220	10,255	5,891	1,26	1,375	–	8,628	8	13	▶ SNW 3144x7.15/16	N 044	W 044	HMVC 44E
	220	11,005	5,891	1,26	1,406	–	8,628	8	14,5	▶ SNW 44x7.15/16	N 44	W 44	HMVC 44E
	220	11,005	7,277	1,26	1,406	–	8,628	8	21	▶ SNW 144x7.15/16	N 44	W 44	HMVC 44E
8 203,2	200	9,849	7,085	1,198	1,344	–	7,847	8	16	SNW 140x8	AN 40	W 40	HMVC 40E
	220	10,255	5,12	1,26	1,375	–	8,628	8	11	▶ SNW 3044x8	N 044	W 044	HMVC 44E
	220	10,255	5,891	1,26	1,375	–	8,628	8	13	▶ SNW 3144x8	N 044	W 044	HMVC 44E
	220	11,005	5,891	1,26	1,406	–	8,628	8	14,5	▶ SNW 44x8	N 44	W 44	HMVC 44E
	220	11,005	7,227	1,26	1,406	–	8,628	8	21	SNW 144x8	N 44	W 44	HMVC 44E
8 7/16 214,313	240	11,443	5,422	1,354	–	1,698	9,442	6	14,5	SNP 3048x8.7/16	N 048	PL 48	HMVC 48E
	240	11,443	5,422	1,354	–	1,698	9,442	6	14,5	SNP 3048x8.1/2	N 048	PL 48	HMVC 48E
8 15/16 227,013	240	11,443	5,422	1,354	–	1,698	9,442	6	14,5	▶ SNP 3048x8.15/16	N 048	PL 48	HMVC 48E
	240	11,443	6,628	1,354	–	1,698	9,442	6	17	▶ SNP 3148x8.15/16	N 048	PL 48	HMVC 48E
	240	11,443	8,099	1,354	–	1,698	9,442	6	22	▶ SNP 148x8.15/16	N 048	PL 48	HMVC 48E
9 228,6	240	11,443	5,422	1,354	–	1,698	9,442	6	14,5	SNP 3048x9	N 048	PL 48	HMVC 48E
	240	12,193	8,764	1,416	–	1,76	10,192	6	17	▶ SNP 3152x9	N 052	PL 52	HMVC 52E
	260	12,193	8,764	1,416	–	1,76	10,192	6	25	SNP 152x9	N 052	PL 52	HMVC 52E
9 7/16 239,713	260	12,193	6,009	1,416	–	1,76	10,192	6	18,5	▶ SNP 3052x9.7/16	N 052	PL 52	HMVC 52E
	260	12,193	8,764	1,416	–	1,76	10,192	6	20	▶ SNP 3152x9.7/16	N 052	PL 52	HMVC 52E
	260	12,193	8,764	1,416	–	1,76	10,192	6	25	▶ SNP 152x9.7/16	N 052	PL 52	HMVC 52E
9 1/2 241,3	260	12,193	6,009	1,416	–	1,76	10,192	6	18,5	▶ SNP 3052x9.1/2	N 052	PL 52	HMVC 52E
	260	12,193	8,764	1,416	–	1,76	10,192	6	20	▶ SNP 3152x9.1/2	N 052	PL 52	HMVC 52E

▶ Popular item

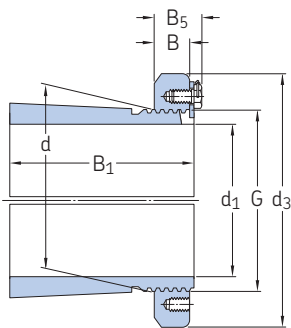
Principal dimensions							Thread	Mass	Designations	Included products	Associated	
d ₁	d	d ₃ max.	B ₁	B	B ₄	B ₅	G	Threads per inch	Adapter sleeve assembly	lock nut	locking device	hydraulic nut
in./mm	mm	in.					in.	–	kg	–		
9 15/16 252,413	280 280	13,005 13,005	6,181 7,756	1,51 1,51	– –	1,854 1,854	11,004 11,004	6 6	▶ SNP 3056x9.15/16 ▶ SNP 3156x9.15/16	N 056 N 056	PL 56 PL 56	HMVC 56E HMVC 56E
10 254	280 280	13,005 13,005	6,181 7,756	1,51 1,51	– –	1,854 1,854	11,004 11,004	6 6	▶ SNP 3056x10 ▶ SNP 3156x10	N 056 N 056	PL 56 PL 56	HMVC 56E HMVC 56E
10 7/16 265,113	280 280 280	13,005 13,005 13,005	6,181 7,756 8,937	1,51 1,51 1,51	– – –	1,854 1,854 1,854	11,004 11,004 11,004	6 6 6	▶ SNP 3056x10.7/16 ▶ SNP 3156x10.7/16 ▶ SNP 3256x10.7/16	N 056 N 056 N 056	PL 56 PL 56 PL 56	HMVC 56E HMVC 56E HMVC 56E
10 1/2 266,7	280 280	13,005 13,005	6,181 7,756	1,51 1,51	– –	1,854 1,854	11,004 11,004	6 6	▶ SNP 3056x10.1/2 ▶ SNP 3156x10.1/2	N 056 N 056	PL 56 PL 56	HMVC 56E HMVC 56E
10 15/16 277,813	300 300 300	14,193 14,193 14,193	6,717 8,37 9,63	1,573 1,573 1,573	– – –	1,948 1,948 1,948	11,785 11,785 11,785	6 6 6	▶ SNP 3060x10.15/16 ▶ SNP 3160x10.15/16 ▶ SNP 3260x10.15/16	N 060 N 060 N 060	PL 60 PL 60 PL 60	HMVC 60E HMVC 60E HMVC 60E
11 279,4	300 300	14,193 14,193	6,717 9,63	1,573 1,573	– –	1,948 1,948	11,785 11,785	6 6	▶ SNP 3060x11 ▶ SNP 3260x11	N 060 N 060	PL 60 PL 60	HMVC 60E HMVC 60E
11 7/16 290,513	320	15,005	6,936	1,666	–	2,041	12,562	6	▶ SNP 3064x11.7/16	N 064	PL 64	HMVC 64E
11 1/2 292,1	320	15,005	6,936	1,666	–	2,041	12,562	6	▶ SNP 3064x11.1/2	N 064	PL 64	HMVC 64E
11 15/16 303,213	320 320 320	15,005 15,005 15,005	6,936 9,101 10,361	1,666 1,666 1,666	– – –	2,041 2,041 2,041	12,562 12,562 12,562	6 6 6	▶ SNP 3064x11.15/16 ▶ SNP 3164x11.15/16 ▶ SNP 3264x11.15/16	N 064 N 064 N 064	PL 64 PL 64 PL 64	HMVC 64E HMVC 64E HMVC 64E
12 304,8	320 320 320	15,005 15,005 15,005	6,936 9,101 10,361	1,666 1,666 1,666	– – –	2,041 2,041 2,041	12,562 12,562 12,562	6 6 6	▶ SNP 3064x12 ▶ SNP 3164x12 ▶ SNP 3264x12	N 064 N 064 N 064	PL 64 PL 64 PL 64	HMVC 64E HMVC 64E HMVC 64E
12 7/16 315,913	340 340 340	15,755 15,755 15,755	7,533 9,777 11,116	1,791 1,791 1,791	– – –	2,166 2,166 2,166	13,303 13,303 13,303	5 5 5	▶ SNP 3068x12.7/16 ▶ SNP 3168x12.7/16 ▶ SNP 3268x12.7/16	N 068 N 068 N 068	PL 68 PL 68 PL 68	HMVC 68E HMVC 68E HMVC 68E
13 7/16 341,313	360 360 360	16,505 16,505 16,505	7,569 9,852 11,427	1,791 1,791 1,791	– – –	2,166 2,166 2,166	14,17 14,17 14,17	5 5 5	▶ SNP 3072x13.7/16 ▶ SNP 3172x13.7/16 ▶ SNP 3272x13.7/16	N 072 N 072 N 072	PL 72 PL 72 PL 72	HMVC 72E HMVC 72E HMVC 72E
13 15/16 354,013	360 360 380	16,505 17,755 17,755	7,569 11,867 7,733	1,791 1,916 1,916	– – –	2,166 2,353 2,353	14,17 14,921 14,921	5 5 5	▶ SNP 3072x13.15/16 ▶ SNP 3276x13.15/16 ▶ SNP 3076x13.15/16	N 072 N 076 N 076	PL 72 PL 76 PL 76	HMVC 72E HMVC 76E HMVC 76E
	380	17,755	10,056	1,916	–	2,353	14,921	5	▶ SNP 3176x13.15/16	N 076	PL 76	HMVC 76E
14 355,6	360 380 380	17,755 17,755 17,755	11,867 7,733 10,056	1,916 1,916 1,916	– – –	2,353 2,353 2,353	14,921 14,921 14,921	5 5 5	▶ SNP 3276x14 ▶ SNP 3076x14 ▶ SNP 3176x14	N 076 N 076 N 076	PL 76 PL 76 PL 76	HMVC 76E HMVC 76E HMVC 76E
14 15/16 379,413	400	18,505	10,449	2,073	–	2,5	15,709	5	▶ SNP 3180x14.15/16	N 080	PL 80	HMVC 80E
15 381	400 400 400	18,505 18,505 18,505	8,401 10,449 12,654	2,073 2,073 2,073	– – –	2,5 2,5 2,5	15,709 15,709 15,709	5 5 5	▶ SNP 3080x15 ▶ SNP 3180x15 ▶ SNP 3280x15	N 080 N 080 N 080	PL 80 PL 80 PL 80	HMVC 80E HMVC 80E HMVC 80E
15 3/4 400,05	420 420 420	19,318 19,318 19,318	8,488 11,402 13,292	2,073 2,073 2,073	– – –	2,5 2,5 2,5	16,496 16,496 16,496	5 5 5	▶ SNP 3084x15.3/4 ▶ SNP 3184x15.3/4 ▶ SNP 3284x15.3/4	N 084 N 084 N 084	PL 84 PL 84 PL 84	HMVC 84E HMVC 84E HMVC 84E
16 1/2 419,1	440 440 440	20,505 20,505 20,505	9,1 11,817 13,943	2,385 2,385 2,385	– – –	2,906 2,906 2,906	17,283 17,283 17,283	5 5 5	▶ SNP 3088x16.1/2 ▶ SNP 3188x16.1/2 ▶ SNP 3288x16.1/2	N 088 N 088 N 088	PL 88 PL 88 PL 88	HMVC 88E HMVC 88E HMVC 88E

▶ Popular item

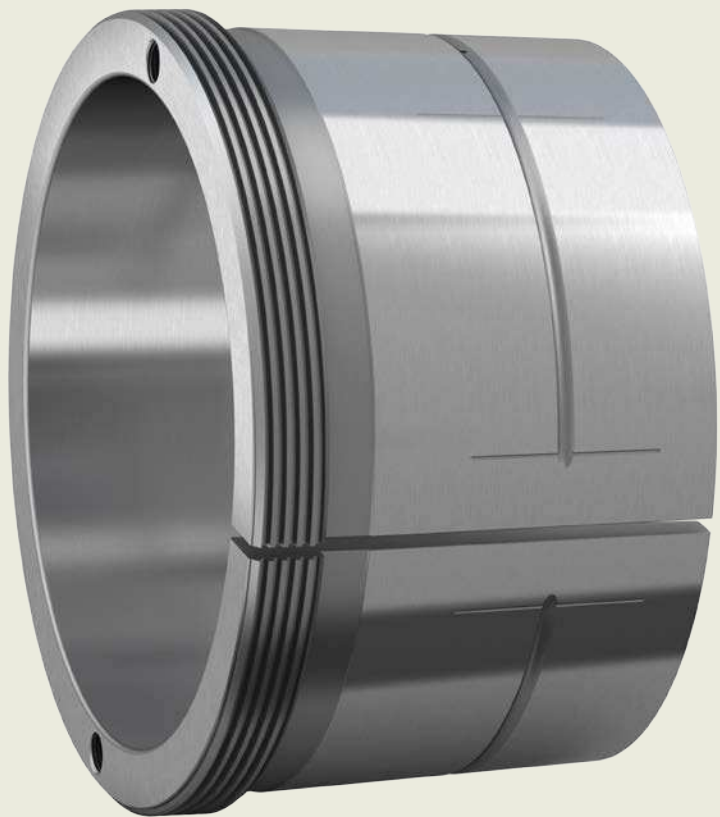


23.2 Adapter sleeves with inch dimensions

d_1 17 – 19 1/2 in.
431,8 – 495,3 mm

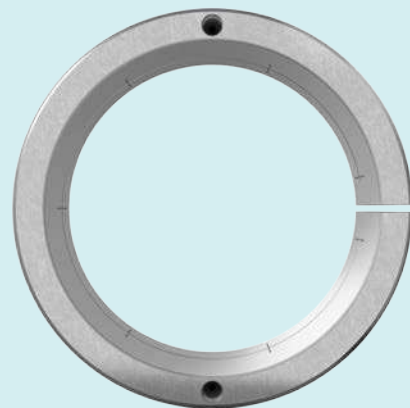


Principal dimensions							Thread	Mass	Designations	Included products	Associated	
d_1	d	d_3 max.	B_1	B	B_4	B_5	G	Threads per inch	Adapter sleeve assembly	lock nut	locking device	hydraulic nut
in./mm	mm	in.					in.	–	–			
17	460	21,255	9,336	2,385	–	2,906	18,071	5	▶ SNP 3092x17	N 092	PL 92	HMVC 92E
431,8	460	21,255	12,368	2,385	–	2,906	18,071	5	▶ SNP 3192x17	N 092	PL 92	HMVC 92E
18	480	22,068	12,714	2,385	–	2,937	18,858	5	▶ SNP 3096x18	N 096	PL 96	HMVC 96E
457,2	480	22,068	12,714	2,385	–	2,937	18,858	5	▶ SNP 3196x18	N 096	PL 96	HMVC 96E
18 1/2	500	22,818	9,838	2,703	–	3,25	19,646	5	▶ SNP 30/500x18.1/2	N 500	PL 500	HMVC 100E
469,9												
19 1/2	530	24,818	10,579	2,703	–	3,25	20,827	4	▶ SNP 30/530x19.1/2	N 530	PL 530	HMVC 106E
495,3												



24

Withdrawal sleeves



24 Withdrawal sleeves

Withdrawal sleeves are slit tapered sleeves (fig. 1), which can be used to mount bearings with a tapered bore onto a cylindrical seat of stepped shafts (fig. 2). The sleeves are pressed into the bore of the bearing inner ring, which abuts a shaft shoulder or similar fixed component. They are located on the shaft by a nut or an end plate.

The standard assortment of SKF withdrawal sleeves is available online at skf.com/go/17000-24-1 and comprises:

- basic design sleeves (fig. 1)
- sleeves for oil injection (fig. 3)
- sleeves for shaft diameters up to 1 000 mm

Withdrawal sleeves are not listed in this catalogue. Comprehensive information about SKF withdrawal sleeves is available online at skf.com/go/17000-24.

Fig. 1

Withdrawal sleeve, basic design

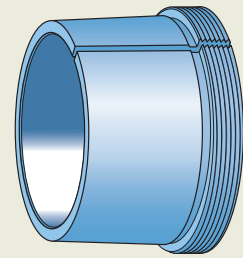


Fig. 2

Withdrawal sleeve on a stepped shaft

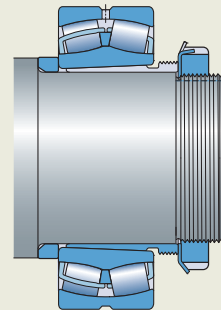
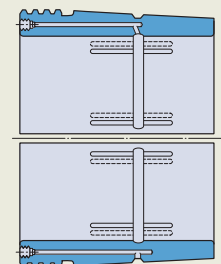
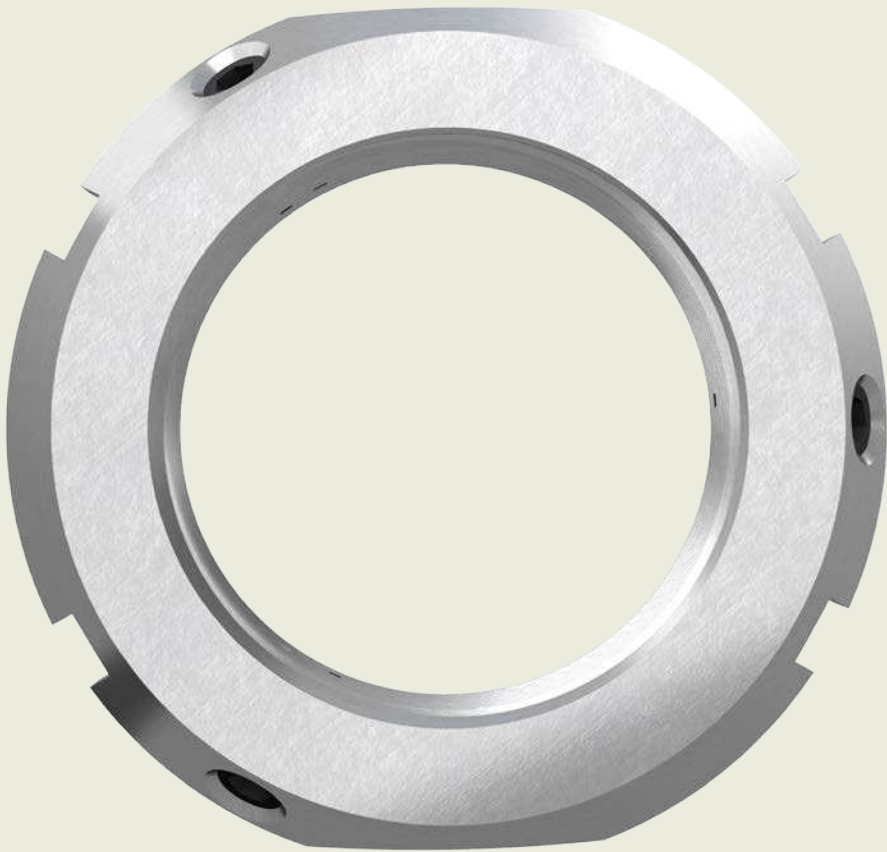


Fig. 3

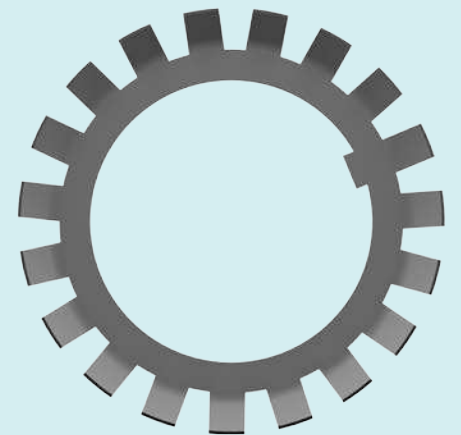
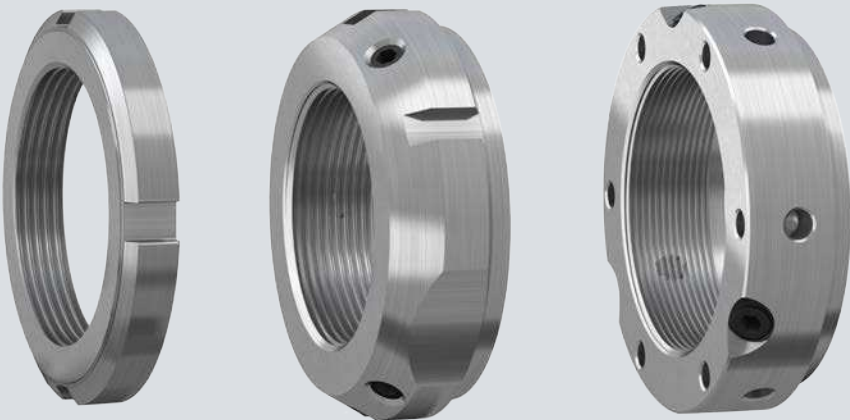
Withdrawal sleeve for oil injection





25

Lock nuts



25 Lock nuts

Designs and variants	1090
Lock nuts requiring a keyway	1093
KM, KML and HM .. T metric lock nuts	1093
N and AN inch lock nuts	1093
HM and HME metric lock nuts	1094
The locking principles	1094
Lock nuts with integral locking	1095
KMFE lock nuts	1095
KMK lock nuts	1095
The locking principle	1095
Precision lock nuts with locking pins	1096
The locking principle	1097
Precision lock nuts with axial locking screws	1097
The locking principle	1097
Product data	1098
(Dimension standards, tolerances, mating shaft threads, loosening torque)	
Installation and removal	1100
Lock nuts requiring a keyway	1100
Using lock nuts with lock washer to lock a bearing	1100
Using lock nuts with locking clips to lock a bearing	1100
Lock nuts with integral locking	1101
Mounting	1101
Dismounting	1101
Precision lock nuts with locking pins	1102
Installation	1102
Adjustment	1102
Removal	1102
Designation system	1103
Product tables	
25.1 KM(L) and HM .. T lock nuts	1104
25.2 MB(L) lock washers	1106
25.3 HM lock nuts	1108
25.4 MS locking clips	1110
25.5 KMFE lock nuts with a locking screw	1112
25.6 KMT precision lock nuts with locking pins	1114
25.7 KMTA precision lock nuts with locking pins	1116

25 Lock nuts

Lock nuts are used to locate bearings onto a shaft. Additionally, they can be used to mount bearings with a tapered bore onto tapered shaft seats and adapter sleeves, and to dismount bearings from withdrawal sleeves. Lock nuts are also frequently used to secure gears, belt pulleys and other machine components.

Lock nuts have to be secured to prevent unintentional loosening by:

- a locking device that engages a keyway in the shaft or key slot in the adapter sleeve, or
- a locking mechanism integrated in the nut

When choosing or replacing a lock nut, there are a number of factors that should be taken into consideration. They include, but are not limited to:

- Space – axial and radial
- Shaft rotation – one or both directions
- Axial loads
- Dynamic behaviour of the application
- Cost and downtime of machining keyways in shafts vs. other locking methods
- Ease and frequency of assembly and disassembly
- Precision

Designs and variants

SKF lock nuts provide a variety of ways to secure the nut onto a shaft. The lock nuts listed here constitute the basic SKF assortment. Lock nuts with other locking methods can be supplied on request. For additional information, contact SKF.

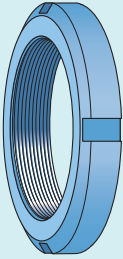
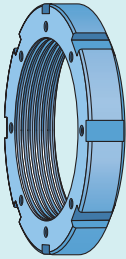
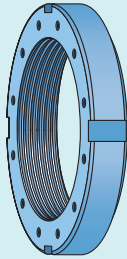
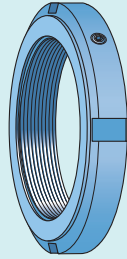
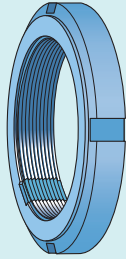
The following tables provide an overview over the basic SKF assortment:

- [table 1](#) for SKF industrial lock nuts
- [table 2, page 1092](#) for SKF precision lock nuts

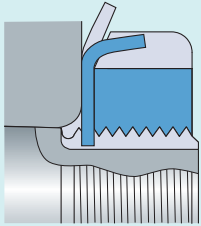
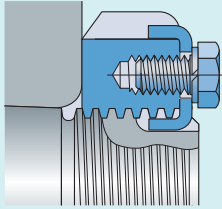
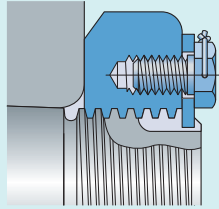
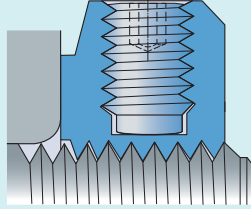
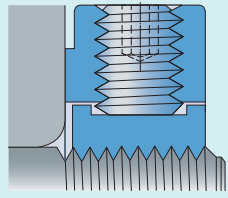
Lock nuts with integral locking reduce the cost of the shaft as no keyway is required. Installation is quicker and easier because no separate locking device is necessary. However, the loosening torque of these lock nuts requires more attention. For information on loosening torque, refer to *Product data*, [page 1098](#).

Table 1

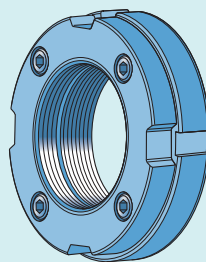
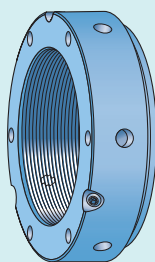
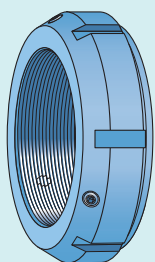
SKF industrial lock nuts

				
KM, KML, HM .. T, AN and N Lock nuts with a lock washer	HM and HME Lock nuts with a locking clip	N Lock nuts with a locking plate	KMFE Lock nuts with an integral locking screw	KMK Lock nuts with an integral locking device
KM and KML: thread 10 to 200 mm (sizes 0 to 40) HM .. T: thread 210 to 280 mm (sizes 42 to 56) AN and N: thread 0.391 to 8.628 in. (sizes: N 00 to N 14, AN 15 to AN 40 and N 022 to N 044) These lock nuts are not listed in this catalogue, but can be found online at skf.com/go/17000-25-8 .	thread 220 to 1 120 mm (sizes 44 to /1120) HME design lock nuts are not listed in this catalogue, but can be found online at skf.com/go/17000-25-3 .	thread 9.442 to 37.410 in. (sizes 056 to 950) These lock nuts are not listed in this catalogue, but can be found online at skf.com/go/17000-25-8 .	thread 20 to 200 mm (sizes 4 to 40)	thread 10 to 100 mm (sizes 0 to 20) These lock nuts are not listed in this catalogue, but can be found online at skf.com/go/17000-25-5 .
A simple, stable and reliable fastening element	A simple, stable and reliable fastening element	A simple, stable and reliable fastening element	Fastened with an integral locking screw and front face adapted for use with certain CARB and sealed bearings	Fastened with a threaded steel insert and a grub screw
Reusable with new locking device	Reusable with new locking device	Reusable with new locking device	Reusable	Reusable
Simple to install and remove	Simple to install and remove	Simple to install and remove	Simple to install and robust locking	Simple to install
Keyway in shaft thread required for lock washer	Keyway in shaft thread required for locking clip	Keyway in shaft thread required for locking plate	For shaft threads without keyways	For shaft threads without keyways

Locking principle

				
Locks with a separate lock washer engaged in a key- way in the shaft thread and having a tab that is bent over into one of the slots in the nut	Locks with a separate lock- ing clip that is attached to the nut and engages with a keyway in the shaft thread and one of the slots in the nut	Locks with a locking plate that engages with a keyway in the shaft thread and is secured to the nut by two screws and locking wire	Locks by tightening the grub screw to press the lock nut thread against the shaft thread	Locks by tightening the grub screws to press a threaded steel insert in the lock nut against the shaft thread

SKF precision lock nuts



KMT

Precision lock nuts with locking pins

KMTA

thread 25 to 200 mm
(sizes 5 to 40)

KMD

Precision lock nuts with axial locking screws

thread 10 to 200 mm
(sizes 0 to 40)
Larger sizes on request

thread 20 to 105 mm (sizes 4 to 21)
These lock nuts are not listed in this catalogue, but can be found online at skf.com/go/17000-25-6.

Maximum axial run-out between the locating face and thread: 0,005 mm

Maximum axial run-out between the locating face and thread: 0,005 mm

Can be adjusted to compensate for slight angular deviations

Effective axial locking, simple to position

Reusable

Reusable

Simple to install and remove

Simple to install and remove

For shaft threads without keyways

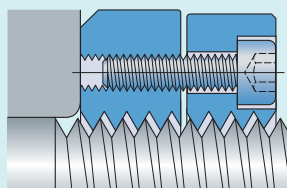
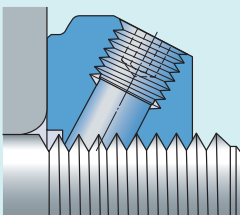
For shaft threads without keyways

Designed for frequent installation and removal

Designed for frequent installation and removal

High axial load capacity

Locking principle



Locks to the shaft thread by friction generated by tightening three radial locking pins with grub screws against its unloaded flanks

Locks to the shaft thread by friction generated by tightening four axial screws that press the rear part of the nut against the unloaded thread flanks

Lock nuts requiring a keyway

KM, KML and HM .. T metric lock nuts

KM and KML lock nuts (fig. 1):

- have metric threads
- are designed to be used with lock washers
- have four equally-spaced slots located around their circumference to accommodate a hook or impact spanner (fig. 2)
- are also referred to as shaft or withdrawal nuts
- are available for thread M 10x0,75 to M 200x3 (sizes 0 to 40)
- can be locked with either the MB lock washer (fig. 3) or with a stronger, MB .. A lock washer

KML lock nuts have a lower cross-sectional height than KM lock nuts.

HM .. T lock nuts (fig. 1):

- have metric trapezoidal threads
- are also referred to as removal nuts
- are available for thread Tr 210x4 to Tr 280x4 (sizes 42 to 56)
 - For some sizes, no lock washer is available because these nuts are intended to dismount bearings with a tapered bore from a withdrawal sleeve.

KM, KML and HM...T lock nuts can be reused, provided they are not damaged. A new lock washer should be used each time the corresponding lock nut is installed.

Features and benefits

- Simple, stable and reliable fastening
- Wide range of sizes
- Easy to install and remove
- Thread diameters ranging from 10 to 280 mm

N and AN inch lock nuts

N and AN inch lock nuts (fig. 1):

- using a W lock washer (fig. 3) are available up to and including size 44 (thread diameter 8.628 in.)
- using a locking plate (fig. 4) are low-profile-series lock nuts for nominal thread diameters ranging from 9.442 to 37.410 in. (sizes N 048 to N 950)
- have four, equally spaced slots around their circumference to accommodate a hook or impact spanner (fig. 2)
- are also referred to as shaft or withdrawal nuts
- N 00 to N 14, AN 15 to AN 40 and N 44 lock nuts are normal series lock nuts commonly used together with bearings in the 12, 13, 222, 223 and 232 series up to size 23244, mounted directly to the shaft or via an adapter sleeve.
- N 022 to N 044 lock nuts are low-profile-series lock nuts commonly used together with bearings in the 230 series. They can also be used to secure other bearing types and other machine components.
- N lock nuts with a locking plate are commonly used with bearings in the 230, 231 and 232 series (sizes ≥ 48), but can also be used to retain any suitable bearing or other machine component.

N and AN lock nuts can be reused, provided they are not damaged. A new lock washer or locking plate should be used each time the corresponding lock nut is installed.

Features and benefits

- Simple, stable and reliable fastening element
- Wide range of sizes
- Easy to install and remove
- Lock washers available for thread 0.391 to 8.628 in. (sizes 00 to 44)
- Locking plates available for thread 9.442 to 18.894 in. (sizes 048 to 096) and for thread 19.682 to 37.410 in. (sizes 500 to 950)

These lock nuts are not listed in this catalogue, but can be found online at skf.com/go/17000-25-8.

Fig. 1

KM, KML, HM .. T, AN and N (size ≤ 44) lock nut

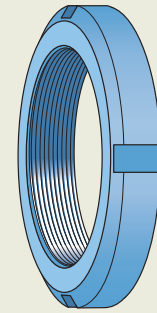


Fig. 2

KM, KML, HM .. T, AN and N (size ≤ 44) lock nut

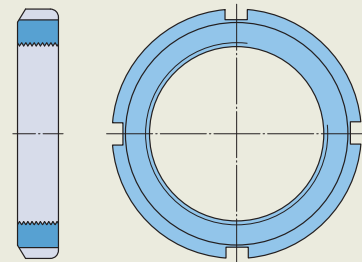


Fig. 3

MB or W lock washer

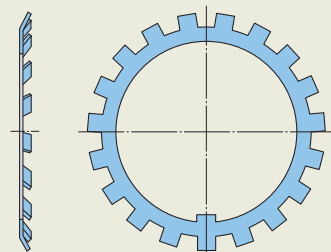
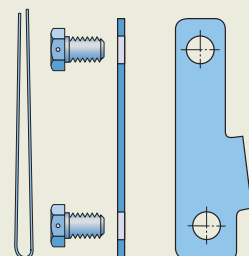


Fig. 4

PL locking plate



HM and HME metric lock nuts

HM and HME lock nuts (fig. 5):

- have metric trapezoidal threads
- have eight equally-spaced slots located around their circumference to accommodate an impact spanner (fig. 6)
- are located on the shaft by MS locking clips (fig. 7)

When compared to HM lock nuts, HME lock nuts have a recessed side face to accommodate axial displacement of CARB toroidal roller bearings (fig. 8).

HM and HME lock nuts can be reused, provided they are not damaged. A new locking clip should be used each time the corresponding lock nut is reinstalled.

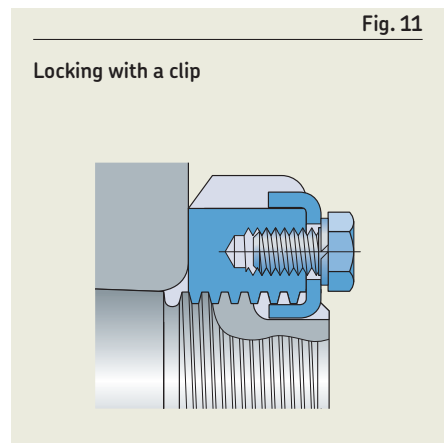
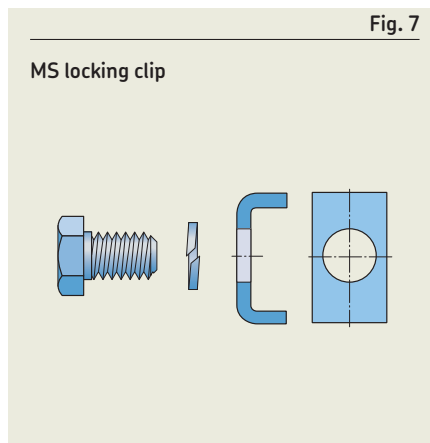
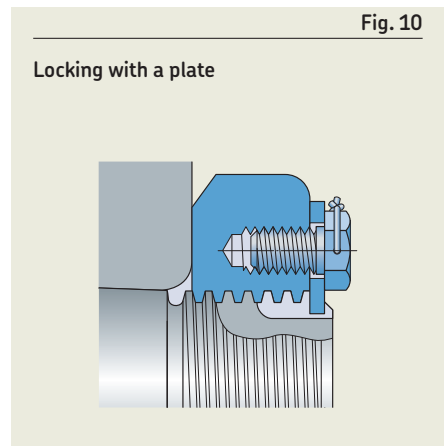
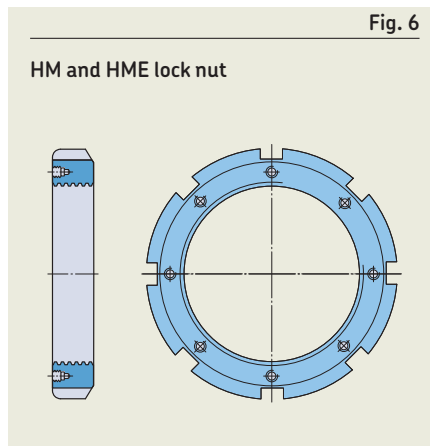
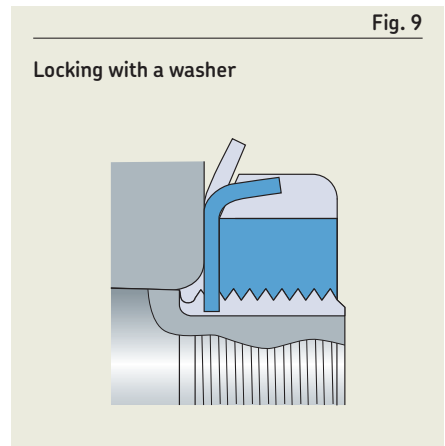
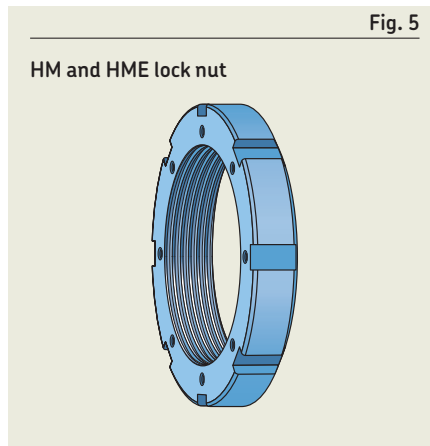
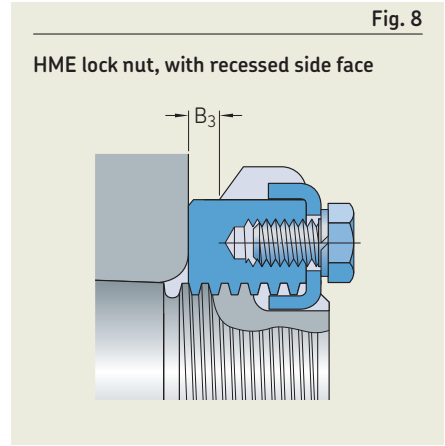
Features and benefits

- Simple, stable and reliable fastening element
- Wide range of sizes
- Easy to install and remove
- Available for thread Tr 220x4 to Tr 1120x8 (sizes 44 to /1120)

The locking principles

Lock washers, locking clips and locking plates are simple, stable and reliable fastening elements.

- Lock washers (fig. 3, page 1093) engage a keyway in a shaft, or adapter sleeve thread. The washer locks the nut in position when one of the washer tabs is bent into one of the slots on the nut's outside diameter (fig. 9).
- Locking plates (fig. 4, page 1093) engage a keyway in a shaft or adapter sleeve and are attached to the side face of the nut by two bolts secured with locking wire. A locking plate consists of a plate, two hexagonal head bolts with drilled heads and lock wire to secure them (fig. 10).
- Locking clips (fig. 7) engage a keyway in a shaft or adapter sleeve and one of the slots in the outside diameter of the lock nut. Locking clips are attached to the nut by a bolt (fig. 11).



Lock nuts with integral locking

Lock nuts with integral locking reduce the cost of the shaft as no keyway is required. Installation is quicker and easier because no separate locking device is necessary.

KMFE lock nuts

KMFE lock nuts (fig. 12):

- are designed to locate CARB toroidal roller bearings, sealed spherical roller bearings and sealed self-aligning ball bearings axially on a shaft
- have appropriate contact faces for the intended bearings
- are available for thread M 20x1 to M 200x3 (sizes 4 to 40)

KMFE lock nuts should not be used on shafts with a keyway. They should only be used with special adapter sleeves with a narrow slot. Damage to the nut can result if the grub screw aligns with a keyway or wide slot. KMFE lock nuts can be reused, provided they are not damaged.

Features and benefits

- Maximum axial run-out between the locating face and thread: 0,02 to 0,03 mm
- No keyway required
- Simple to install
- Simple and robust locking
- Reusable
- Appropriate contact faces for intended bearings
- Equipped with visual marks for the use of tightening angles

KMK lock nuts

KMK lock nuts (fig. 13):

- are intended to locate radial bearings in less demanding applications
- are available for thread M 10x0,75 to M 100x2 (sizes 0 to 20)

KMK lock nuts should not be used on shafts with keyways or adapter sleeves with key slots. Damage to the locking device can result if it aligns with a keyway or slot. KMK lock nuts can be reused, provided they are not damaged.

These lock nuts are not listed in this catalogue, but can be found online at skf.com/go/17000-25-5.

The locking principle

Lock nuts with integral locking are locked by friction. The friction is sufficient to lock the nut in place.

KMFE lock nuts have an integral grub (set) screw, to lock the nut in place. When the grub screw is tightened, it causes the nut thread to deform and press against the shaft or sleeve thread (fig. 14).

KMK have a threaded steel insert in their bore. The threads on the insert match the lock nut threads. The insert acts as a pressure plate when a grub screw, which runs through the body of the lock nut, is tightened (fig. 15).

Fig. 12

KMFE lock nut

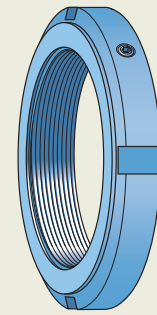


Fig. 13

KMK lock nut

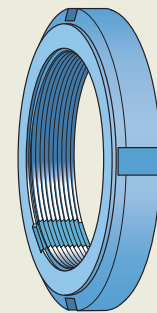


Fig. 14

Locking with a locking screw – KMFE

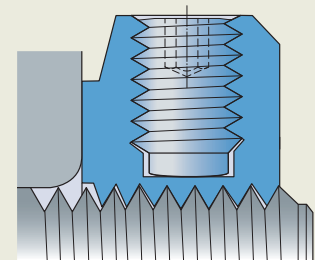
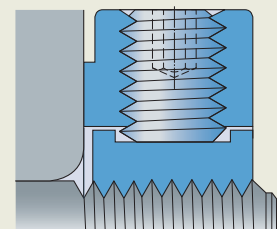


Fig. 15

Locking with an integral locking device – KMK



Precision lock nuts with locking pins

KMT and KMTA lock nuts are intended for applications where high precision, simple assembly and reliable locking are required¹⁾. The three equally-spaced locking pins enable these lock nuts to be accurately positioned at right angles to the shaft. However, they can also be adjusted to compensate for slight angular deviations of adjacent components.

KMT lock nuts (fig. 16):

- are available for thread M 10x0,75 to M 200x3 (sizes 0 to 40)
- are available on request for thread Tr 220x4 to Tr 420x5 (sizes 44 to 84)

KMTA lock nuts (fig. 17):

- are available for thread M 25x1,5 to M 200x3 (sizes 5 to 40)
- have a cylindrical outside surface and, for some sizes, a different thread pitch than KMT lock nuts
- are intended primarily for applications where space is limited and the cylindrical outside surface can be used as an element of a gap-type seal

Features and benefits

- Maximum axial run-out between the locating face and thread (sizes ≤ 40): 0,005 mm
- Adjustable to compensate for slight angular deviations (fig. 18)
- Fine thread pitch
- Withstands high axial loads
- Reliable, effective locking mechanism
- Simple installation and removal
- No keyway required¹⁾
- Reusable
- Designed for frequent installation and removal

¹⁾ KMT and KMTA lock nuts should not be used on shafts with keyways in the thread or adapter sleeves. Damage to the locking pins can result if they align with either.

Fig. 16

KMT precision lock nut

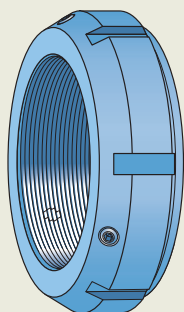


Fig. 17

KMTA precision lock nut

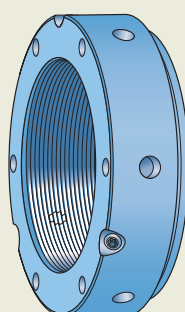
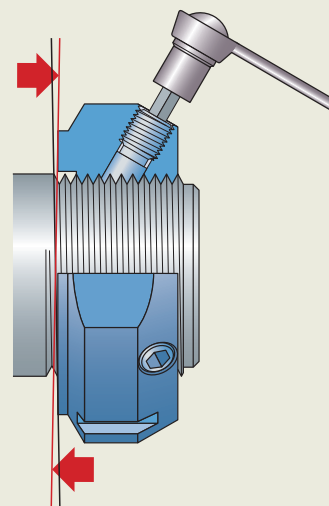


Fig. 18

Adjustable to minimise axial run-out



The locking principle

KMT and KMTA series precision lock nuts have three locking pins equally spaced around their circumference (fig. 19 to fig. 21) that can be tightened with grub screws to lock the nut onto the shaft. The end face of each pin is machined to match the shaft thread. The holes for the locking pins and grub screws are drilled with their axis parallel to the loaded flanks of the shaft thread (fig. 22). The locking screws, when tightened to the recommended torque, provide sufficient friction between the ends of the pins and the unloaded thread flanks to prevent the nut from loosening under normal operating conditions (*Loosening torque*, page 1098). Because the locking pins are tightened against the unloaded flanks of the shaft thread, they are not subjected to any application loads imposed on the nut.

Precision lock nuts with axial locking screws

KMD lock nuts (fig. 23) were designed specifically for screw compressors but can be used in other applications where high precision, simple assembly and reliable locking are required. Once the four locking screws are tightened, the lock nut will be accurately positioned at right angles to the shaft thread. The locking screws, when tightened to the recommended tightening torque, preload the lock nut and shaft threads and generate sufficient friction to prevent the nut from loosening under normal operating conditions. The locking screws do not carry any part of the supported load in service.

KMD lock nuts are available for thread M 20x1 to M 105x2 (sizes 4 to 21).

Features and benefits

- Maximum axial run-out between the locating face and thread: 0,005 mm
- Adjustable for precise axial positioning
- Effective locking prevents the nut from loosening under normal operating conditions
- Simple installation and removal
- No keyway required
- Reusable
- Designed for frequent installation and removal

These lock nuts are not listed in this catalogue, but can be found online at skf.com/go/17000-25-6.

The locking principle

KMD lock nuts are locked with axial locking screws (fig. 24). The front of the lock nut locates the component on the shaft. The rear is tightened against the unloaded flanks of the shaft thread by axial locking screws, creating sufficient friction to prevent the lock nut from loosening under normal operating conditions.

Fig. 19

KMT lock nut with two opposed flats

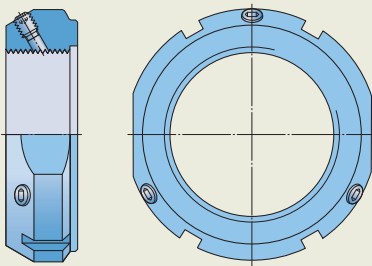


Fig. 21

KMTA lock nuts with holes around their circumference and in one side face

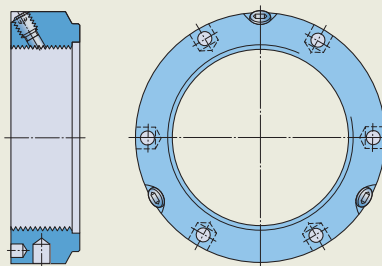


Fig. 23

KMD precision lock nut

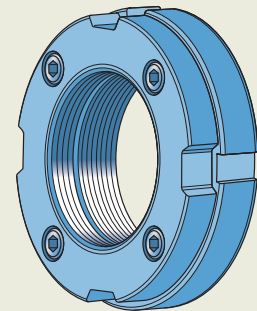


Fig. 20

KMT lock nut with six slots and no flats

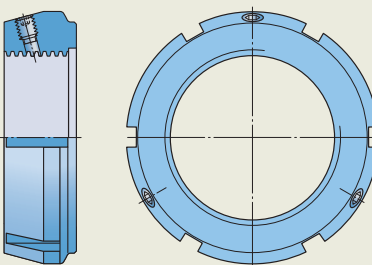


Fig. 22

Locking with locking pins

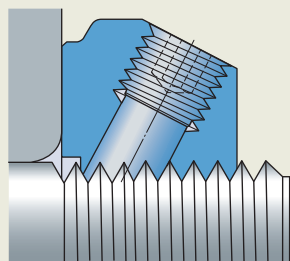
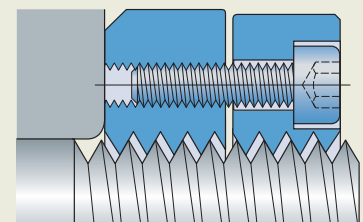


Fig. 24

Locking with axial locking screws



Product data

	Lock nuts requiring a keyway KM, KML, HM .. T, HM and HME	Lock nuts with integral locking KMFE and KMK
Dimension standards	ISO 2982-2	ISO 2982-2, except for the lock nut width and the outside diameter of the clamp face Grub screws: <ul style="list-style-type: none"> • KMFE → ISO 4028, material class 45H • KMK → ISO 4026, material class 45H
Tolerances	<p>KM and KML Metric thread, 5H: ISO 965-3 Maximum axial run-out locating face/thread: 0,02 to 0,06 mm, depending on the lock nut size Mounting slots according to DIN 981</p> <p>HM, HME and HM .. T Metric trapezoidal thread, 7H: ISO 2903 Maximum axial run-out locating face/thread: 0,06 to 0,16 mm, depending on the lock nut size</p>	Metric thread, 5H: ISO 965-3
Mating shaft threads (recommendation)	<p>KM and KML Metric thread, 6g: ISO 965-3</p> <p>HM, HME and HM .. T Metric trapezoidal thread, 7e: ISO 2903</p>	Metric thread, 6g: ISO 965-3
Loosening torque	–	<p>KMFE and KMK lock nuts are locked on the shaft (sleeve) by friction. The friction, and therefore the loosening torque, varies as a result of the accuracy of the tightening torque of the grub (set) screw, the surface finish of the shaft (sleeve) thread, the amount of lubricant on the thread, etc. The lock nuts should be properly mounted to threads that are dry or only have a minimum amount of lubricant on them.</p> <p>KMFE and KMK lock nuts provide sufficient locking for intended bearing applications.</p>



Precision lock nuts with locking pins

KMT and KMTA

Metric thread: ISO 965-3

Metric thread, 5H: ISO 965-3

Maximum axial run-out locating face/thread (sizes ≤ 40): 0,005 mm

Metric thread, 6g: ISO 965-3

Trapezoidal thread, 7e: ISO 2903

KMT and KMTA lock nuts are locked on the shaft (sleeve) by friction. The friction, and therefore the loosening torque, varies as a result of the accuracy of the tightening torque of the grub screw, the surface finish of the shaft thread, the amount of lubricant on the thread, etc. KMT and KMTA lock nuts should be properly mounted to threads that are dry or only have a minimum amount of lubricant on them.

Providing that they are properly mounted to a dry or minimally lubricated thread, experience has shown that SKF KMT and KMTA lock nuts have sufficient locking for typical super-precision and general rolling bearing applications.



Installation and removal

Lock nuts requiring a keyway

Lock nuts requiring a keyway are easy to install. Each nut is provided with four equally-spaced slots around their circumference to accommodate a hook or impact spanner. The designations of the associated spanners are listed in the relevant product tables.

Lock nuts requiring a keyway can be reused, provided they are not damaged. A new lock washer, locking clip or locking plate should be used each time the corresponding lock nut is reinstalled.

Using lock nuts with lock washer to lock a bearing

Mounting bearings and components on a cylindrical shaft

- 1 Put the bearing in place onto the cylindrical shaft.
- 2 Go ahead with step 5 below *Locking the bearing*.

Mounting bearings on an adapter sleeve or tapered seat

- 1 Slide the bearing onto the adapter sleeve or tapered seat.
- 2 With the chamfer facing the bearing, screw the nut (without the lock washer) onto the adapter sleeve or shaft thread (fig. 25).
- 3 Tighten the nut with a hook or impact spanner until the correct clearance in the bearing is obtained (fig. 26).
- 4 Remove the nut. Go to step 5.

Locking the bearing

- 5 Slide the lock washer onto the thread until it touches the bearing. With the chamfer facing the bearing, screw the lock nut into place (fig. 27).
- 6 Tighten the nut firmly against the lock washer and bearing with a hook or impact spanner, making sure to not over tighten the nut. For bearings on adapter sleeves or tapered shafts, make sure that the bearing is not driven up any further on its seat.
- 7 Lock the nut in place by bending one of the lock washer tabs down into one of the slots on the nut (fig. 28). Do not bend the tab to the bottom of the slot.

Using lock nuts with locking clips to lock a bearing

- 1 With the bearing or component in position, screw the lock nut into place.
- 2 Tighten the nut against the bearing or component with an impact spanner (fig. 29), aligning one of the slots in its outside diameter with the keyway in the shaft thread and making sure to not over tighten it.
- 3 Place the spring washer and locking clip onto the attachment bolt.
- 4 Position the locking clip in the keyway in the shaft thread, and the slot in the nut outside diameter, and secure with the attachment bolt and spring washer. Align the bolt with one of the threaded holes on the side face of the lock nut.
- 5 Tighten the bolt with an appropriate wrench (fig. 30).

Fig. 25

Screw the nut, without the lock washer, onto the adapter sleeve or shaft thread

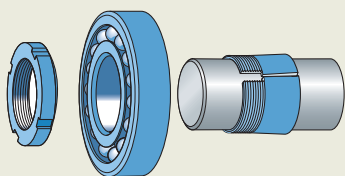


Fig. 26

Tighten the nut with a hook or impact spanner

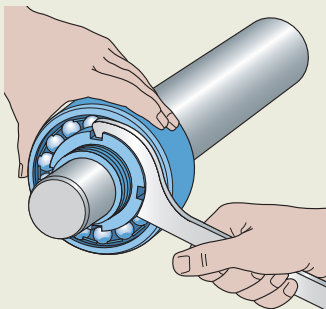
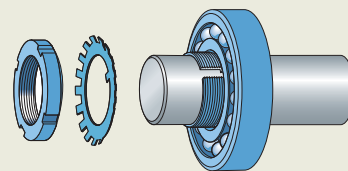


Fig. 27

Slide the lock washer onto the the thread and screw the lock nut into place



Lock nuts with integral locking

Lock nuts with integral locking are easy to install. Each nut is provided with four equally spaced slots around its circumference to accommodate a hook spanner. The designations of the associated spanners are listed in the [product table, page 1112](#).

Lock nuts with integral locking can be reused, provided they are not damaged.

Mounting

Mounting bearings on a tapered seat or special adapter sleeve

- 1 Slide the bearing onto its tapered seat.
- 2 With the contact face toward the bearing, screw the nut onto the shaft.
- 3 Tighten the nut with a hook or impact spanner, until the required internal clearance in the bearing is obtained.
- 4 Tighten the grub (set) screw to the torque value listed in the [product table](#).

Fig. 28

Lock the nut in place by bending one of the lock washer tabs down into one of the slots on the nut

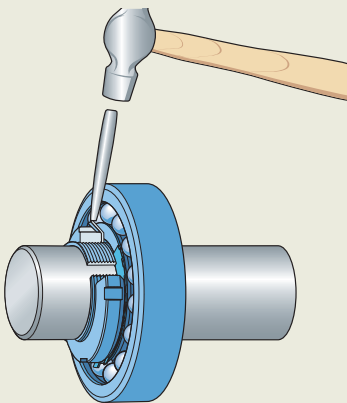


Fig. 29

Tighten the nut against the bearing or component with an impact spanner

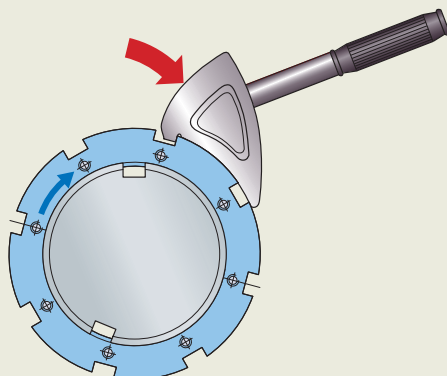
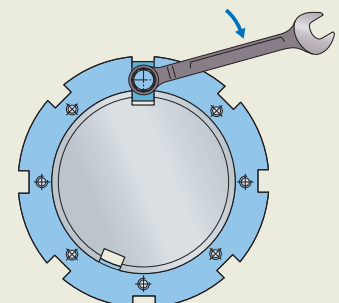


Fig. 30

Tighten the bolt with an appropriate wrench



Locking bearings on a cylindrical seat

- 1 With the bearing in position, screw the lock nut into place.
- 2 Tighten the nut against the bearing with a hook spanner, making sure to not over-tighten it.
- 3 Tighten the grub (set) screw to the torque value listed in the [product table](#).

Dismounting

- 1 To remove the lock nut, loosen the grub screw. Even when the grub screw is removed, the lock nut will generate a limited locking torque.
- 2 In order to completely release the locking system and facilitate the reuse of the lock nut, tap the areas near the grub screw with a hammer and soft bar. Do not damage the threaded bores for the grub screw.
- 3 Unscrew the lock nut using a hook spanner.

Precision lock nuts with locking pins

KMT precision lock nuts have slots around their circumference to accommodate a hook or impact spanner (fig. 19, page 1097, and fig. 20, page 1097). The designations of the associated spanners are listed in the **product table, page 1114**. KMT precision lock nuts with a thread ≤ 75 mm (sizes ≤ 15) have additionally to the slots two opposed flats to accommodate a spanner. Those lock nuts with a thread ≥ 80 mm (sizes ≥ 16) have six slots and no flats.

KMTA precision lock nuts have holes around their circumference and in one side face (fig. 21, page 1097). They can be tightened with a pin wrench or a pin-type face spanner. Associated spanners in accordance with DIN 1810 are listed in the **product table, page 1116**.

Precision lock nuts with locking pins are designed for frequent installation and removal, provided they are not damaged.

Installation

- 1 With the bearing in position, screw the lock nut into place.
- 2 Tighten the nut with a hook or impact spanner making sure not to over tighten it.
- 3 Tighten the grub screws carefully until the locking pins engage the shaft thread.
- 4 Tighten the grub screws alternately with a torque wrench until the recommended torque value, listed in the product tables, is achieved.

Precision lock nuts with locking pins should not be used to drive a bearing up onto a tapered seat.

Adjustment

Precision lock nuts with locking pins are adjustable. The three equally-spaced locking pins enable these lock nuts to be accurately positioned at right angles to the shaft. However, they can also be adjusted to compensate for slight angular deviations of adjacent components.

Adjustments can be made using the following procedure (fig. 31 and fig. 32):

- 1 Loosen the grub screw(s) at the position showing the greatest deviation.
- 2 Tighten the remaining screw(s) equally.
- 3 Retighten the screw(s) that were loosened.
- 4 Check that the alignment of the nut, relative to the shaft, is currently as required.
- 5 Repeat the procedure if necessary.

Removal

When removing precision lock nuts with locking pins, the locking pins can still engage the shaft thread even after the grub screws have been loosened. Using a rubber hammer, tap the nut lightly in the vicinity of the pins to loosen them.

Fig. 31

Example 1: Adjustment procedure for KMT and KMTA lock nuts

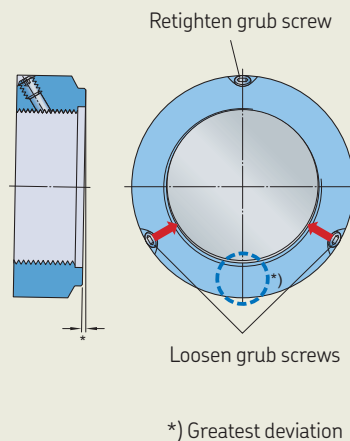
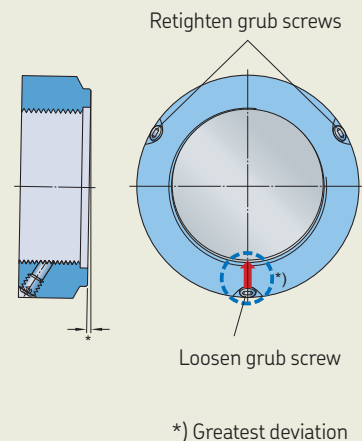


Fig. 32

Example 2: Adjustment procedure for KMT and KMTA lock nuts



Designation system



Product type

AN	Lock nut, dimensions in accordance with ANSI standard, normal series
HM	Lock nut with a trapezoidal thread
HME	HM lock nut with a recessed outside diameter
HML	HM lock nut, light series
HMLL	HML lock nut with a lower cross-sectional height
KM	Lock nut dimensions in accordance with ISO standard
KMD	Two-part precision lock nut with axial locking screws
KMFE	Lock nut with an integral locking screw, contact face designed for CARB toroidal roller bearings, sealed spherical roller bearings and sealed self-aligning ball bearings
KMK	Lock nut with an integral locking device
KML	Lock nut with a lower cross-sectional height
KMT	Precision lock nut with locking pins
KMTA	Precision lock nut with locking pins and with cylindrical outside surface (some with different thread pitch to KMT nuts)
N	Lock nut, dimensions in accordance with ANSI standard N lock nuts are available in two series; N 00 normal series and N 000 low profile series
MB	Lock washer, dimensions in accordance with ISO standard for a KM lock nut
MBL	Lock washer, dimensions in accordance with ISO standard for a KML lock nut
MS	Locking clip, dimensions in accordance with ISO standard for an HM or HME lock nut
PL	Locking plate, dimensions in accordance with ANSI standard
W	Lock washer, dimensions in accordance with ANSI standard W lock washers are available in two series; W 00 for lock nuts in normal series (AN and N) and W 000 for lock nuts in low profile series (N 0) without an axial tab

Size identification

for metric dimensions

0	10 mm thread diameter
1	12 mm thread diameter
2	15 mm thread diameter
3	17 mm thread diameter
4	(x5) 20 mm thread diameter
to	to
96	(x5) 480 mm thread diameter
/500 to	500 mm thread diameter
to	to
/1120	1 120 mm thread diameter

for inch dimensions

0	0.391 in. thread diameter
1	0.469 in. thread diameter
2	0.586 in. thread diameter
3	0.664 in. thread diameter
4	0.781 in. thread diameter
to	to
96	18.894 in. thread diameter
500	19.682 in. thread diameter
to	to
950	37.410 in. thread diameter

Suffixes

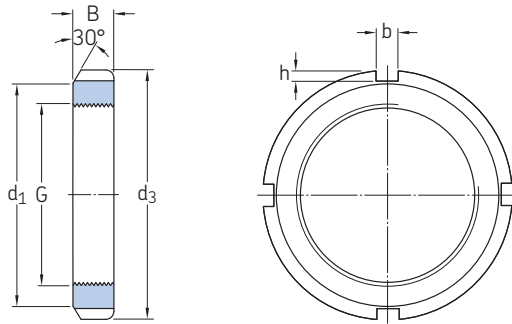
A	Increased plate thickness for MB lock washers
B	Whitworth thread
H	Bigger contact diameter
L	Smaller contact diameter
P	Sintered material
T	Trapezoidal thread



25.1 KM(L) and HM..T lock nuts

M 10x0,75 – M 200x3

Tr 210x4 – Tr 280x4



Dimensions			Axial load carrying capacity static	Mass	Designations					
G	d ₁	d ₃			Lock nut	Associated lock washer	spanner			
mm			kN	kg	–					
M 10x0,75	13,5	18	4	3	2	9,8	0,004	► KM 0	MB 0	HN 0
M 12x1	17	22	4	3	2	11,8	0,006	► KM 1	MB 1	HN 1
M 15x1	21	25	5	4	2	14,6	0,009	► KM 2	MB 2	HN 2-3
M 17x1	24	28	5	4	2	19,6	0,012	► KM 3	MB 3	HN 2-3
M 20x1	26	32	6	4	2	24	0,025	► KM 4	MB 4	HN 4
M 25x1,5	32	38	7	5	2	31,5	0,028	► KM 5	MB 5	HN 5-6
M 30x1,5	38	45	7	5	2	36,5	0,039	► KM 6	MB 6	HN 5-6
M 35x1,5	44	52	8	5	2	50	0,059	► KM 7	MB 7	HN 7
M 40x1,5	50	58	9	6	2,5	62	0,078	► KM 8	MB 8	HN 8-9
M 45x1,5	56	65	10	6	2,5	78	0,11	► KM 9	MB 9	HN 8-9
M 50x1,5	61	70	11	6	2,5	91,5	0,14	► KM 10	MB 10	HN 10-11
M 55x2	67	75	11	7	3	91,5	0,15	► KM 11	MB 11	HN 10-11
M 60x2	73	80	11	7	3	95	0,16	► KM 12	MB 12	HN 12-13
M 65x2	79	85	12	7	3	108	0,19	► KM 13	MB 13	HN 12-13
M 70x2	85	92	12	8	3,5	118	0,23	► KM 14	MB 14	HN 14
M 75x2	90	98	13	8	3,5	134	0,27	► KM 15	MB 15	HN 15
M 80x2	95	105	15	8	3,5	173	0,36	► KM 16	MB 16	HN 16
M 85x2	102	110	16	8	3,5	190	0,41	► KM 17	MB 17	HN 17
M 90x2	108	120	16	10	4	216	0,51	► KM 18	MB 18	HN 18-20
M 95x2	113	125	17	10	4	236	0,55	► KM 19	MB 19	HN 18-20
M 100x2	120	130	18	10	4	255	0,64	► KM 20	MB 20	HN 18-20
M 105x2	126	140	18	12	5	290	0,79	► KM 21	MB 21	HN 21-22
M 110x2	133	145	19	12	5	310	0,87	► KM 22	MB 22	HN 21-22

Dimensions						Axial load carrying capacity static	Mass	Designations		
G	d ₁	d ₃	B	b	h			Lock nut	Associated lock washer	spanner
mm						kN	kg	–		
M 115x2	137	150	19	12	5	315	0,91	▶ KM 23	MB 23	TMFN 23-30
M 120x2	135	145	20	12	5	265	0,69	▶ KML 24	MBL 24	HN 21-22
	138	155	20	12	5	340	0,97	▶ KM 24	MB 24	TMFN 23-30
M 125x2	148	160	21	12	5	360	1,1	▶ KM 25	MB 25	TMFN 23-30
M 130x2	145	155	21	12	5	285	0,8	▶ KML 26	MBL 26	TMFN 23-30
	149	165	21	12	5	365	1,1	▶ KM 26	MB 26	TMFN 23-30
M 135x2	160	175	22	14	6	430	1,4	▶ KM 27	MB 27	TMFN 23-30
M 140x2	155	165	22	12	5	305	0,92	▶ KML 28	MBL 28	TMFN 23-30
	160	180	22	14	6	430	1,4	▶ KM 28	MB 28	TMFN 23-30
M 145x2	171	190	24	14	6	520	1,8	▶ KM 29	MB 29	TMFN 23-30
M 150x2	170	180	24	14	5	390	1,25	▶ KML 30	MBL 30	TMFN 23-30
	171	195	24	14	6	530	1,9	▶ KM 30	MB 30	TMFN 23-30
M 155x3	182	200	25	16	7	540	2,1	▶ KM 31	MB 31	TMFN 30-40
M 160x3	180	190	25	14	5	405	1,4	▶ KML 32	MBL 32	TMFN 23-30
	182	210	25	16	7	585	2,3	▶ KM 32	MB 32	TMFN 30-40
M 165x3	193	210	26	16	7	570	2,3	▶ KM 33	MB 33	TMFN 30-40
M 170x3	190	200	26	16	5	430	1,55	▶ KML 34	MBL 34	TMFN 30-40
	193	220	26	16	7	620	2,35	▶ KM 34	MB 34	TMFN 30-40
M 180x3	200	210	27	16	5	450	1,8	▶ KML 36	MBL 36	TMFN 30-40
	203	230	27	18	8	670	2,8	▶ KM 36	MB 36	TMFN 30-40
M 190x3	210	220	28	16	5	475	1,85	▶ KML 38	MBL 38	TMFN 30-40
	214	240	28	18	8	695	3,05	▶ KM 38	MB 38	TMFN 30-40
M 200x3	222	240	29	18	8	625	2,6	▶ KML 40	MBL 40	TMFN 30-40
	226	250	29	18	8	735	3,35	▶ KM 40	MB 40	TMFN 30-40
Tr 210x4	238	270	30	20	10	Contact SKF	5,1	▶ HM 42 T	– ¹⁾	TMFN 40-52
Tr 220x4	250	280	32	20	10	Contact SKF	4,75	▶ HM 44 T	MB 44	TMFN 40-52
Tr 230x4	260	290	34	20	10	Contact SKF	5,45	HM 46 T	– ¹⁾	TMFN 40-52
Tr 240x4	270	300	34	20	10	Contact SKF	5,6	▶ HM 48 T	MB 48	TMFN 40-52
Tr 250x4	290	320	36	20	10	Contact SKF	7,45	HM 50 T	– ¹⁾	TMFN 40-52
Tr 260x4	300	330	36	24	12	Contact SKF	7,55	▶ HM 52 T	MB 52	TMFN 52-64
Tr 280x4	320	350	38	24	12	Contact SKF	8,65	▶ HM 56 T	MB 56	TMFN 52-64

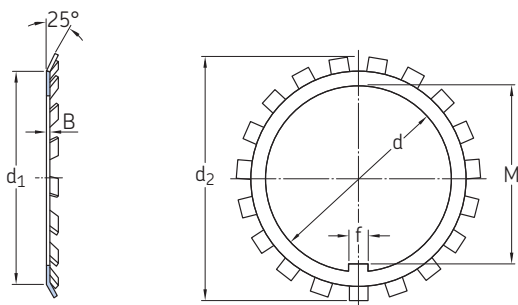
▶ Popular item

¹⁾ HM .. T nuts having no associated lock washer are intended only for removal purposes.



25.2 MB(L) lock washers

MB 0 – MB 56



Designation	Dimensions						Mass
	d	d ₁	d ₂	B	f	M	
–	mm						kg
▶ MB 0	10	13,5	21	1	3	8,5	0,001
▶ MB 1	12	17	25	1	3	10,5	0,002
▶ MB 1A		17	25	1,2	3	10,5	0,0025
▶ MB 2	15	21	28	1	4	13,5	0,003
▶ MB 2A		21	28	1,2	4	13,5	0,0035
▶ MB 3	17	24	32	1	4	15,5	0,003
▶ MB 3A		24	32	1,2	4	15,5	0,0035
▶ MB 4	20	26	36	1	4	18,5	0,004
▶ MB 4A		26	36	1,2	4	18,5	0,005
▶ MB 5	25	32	42	1,25	5	23	0,006
▶ MB 5A		32	42	1,8	5	23	0,0085
▶ MB 6	30	38	49	1,25	5	27,5	0,008
▶ MB 6A		38	49	1,8	5	27,5	0,011
▶ MB 7	35	44	57	1,25	6	32,5	0,011
▶ MB 7A		44	57	1,8	6	32,5	0,016
▶ MB 8	40	50	62	1,25	6	37,5	0,013
▶ MB 8A		50	62	1,8	6	37,5	0,018
▶ MB 9	45	56	69	1,25	6	42,5	0,015
▶ MB 9A		56	69	1,8	6	42,5	0,021
▶ MB 10	50	61	74	1,25	6	47,5	0,016
▶ MB 10A		61	74	1,8	6	47,5	0,023
▶ MB 11	55	67	81	1,5	8	52,5	0,022
▶ MB 11A		67	81	2,5	8	52,5	0,037
▶ MB 12	60	73	86	1,5	8	57,5	0,024
▶ MB 12A		73	86	2,5	8	57,5	0,04
▶ MB 13	65	79	92	1,5	8	62,5	0,03
▶ MB 13A		79	92	2,5	8	62,5	0,05
▶ MB 14	70	85	98	1,5	8	66,5	0,032
▶ MB 14A		85	98	2,5	8	66,5	0,053
▶ MB 15	75	90	104	1,5	8	71,5	0,035
▶ MB 15A		90	104	2,5	8	71,5	0,058

Designation	Dimensions						Mass
	d	d ₁	d ₂	B	f	M	
–	mm						kg
▶ MB 16	80	95	112	1,75	10	76,5	0,046
▶ MB 16A		95	112	2,5	10	76,5	0,066
▶ MB 17	85	102	119	1,75	10	81,5	0,053
▶ MB 17A		102	119	2,5	10	81,5	0,076
▶ MB 18	90	108	126	1,75	10	86,5	0,061
▶ MB 18A		108	126	2,5	10	86,5	0,087
▶ MB 19	95	113	133	1,75	10	91,5	0,066
▶ MB 19A		113	133	2,5	10	91,5	0,094
▶ MB 20	100	120	142	1,75	12	96,5	0,077
▶ MB 20A		120	142	2,5	12	96,5	0,11
▶ MB 21	105	126	145	1,75	12	100,5	0,083
▶ MB 22	110	133	154	1,75	12	105,5	0,091
▶ MB 23	115	137	159	2	12	110,5	0,11
▶ MBL 24	120	135	152	2	14	115	0,07
▶ MB 24		138	164	2	14	115	0,11
▶ MB 25	125	148	170	2	14	120	0,12
▶ MBL 26	130	145	161	2	14	125	0,08
▶ MB 26		149	175	2	14	125	0,12
▶ MB 27	135	160	185	2	14	130	0,14
▶ MBL 28	140	155	172	2	16	135	0,09
▶ MB 28		160	192	2	16	135	0,14
▶ MB 29	145	172	202	2	16	140	0,17
▶ MBL 30	150	170	189	2	16	145	0,1
▶ MB 30		171	205	2	16	145	0,18
▶ MB 31	155	182	212	2,5	16	147,5	0,2
▶ MBL 32	160	180	199	2,5	18	154	0,14
▶ MB 32		182	217	2,5	18	154	0,22
▶ MB 33	165	193	222	2,5	18	157,5	0,24

▶ Popular item

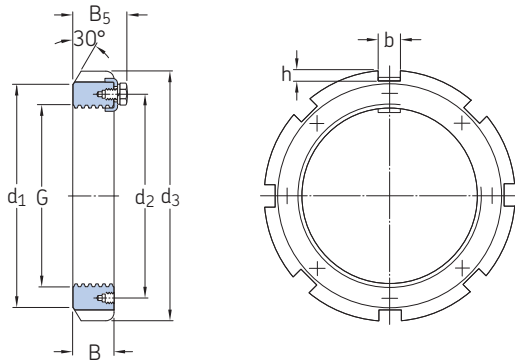


Designation	Dimensions						Mass
	d	d ₁	d ₂	B	f	M	
–	mm						kg
▶ MBL 34	170	190	211	2,5	18	164	0,15
▶ MB 34		193	232	2,5	18	164	0,24
▶ MBL 36	180	200	222	2,5	20	174	0,16
▶ MB 36		203	242	2,5	20	174	0,26
▶ MBL 38	190	210	232	2,5	20	184	0,17
▶ MB 38		214	252	2,5	20	184	0,26
▶ MBL 40	200	222	245	2,5	20	194	0,22
▶ MB 40		226	262	2,5	20	194	0,28
▶ MB 44	220	250	292	3	24	213	0,35
▶ MB 48	240	270	312	3	24	233	0,45
▶ MB 52	260	300	342	3	28	253	0,65
▶ MB 56	280	320	362	3	28	273	0,7



25.3 HM lock nuts

Tr 280x4 – Tr 1120x8



Dimensions								Mass	Designations	Associated locking clip	spanner	eye bolt	
G	d ₁	d ₂	d ₃	B	B ₅	b	h		Lock nut				
mm								kg	–				
Tr 280x4	310	293	330	38	50	24	10	5,75	▶ HM 3056	MS 3056	TMFN 52-64	–	
Tr 300x4	336 340	316 326	360 380	42 40	54 53	24 24	12 12	8,35 11,5	▶ HM 3060 ▶ HM 3160	MS 3060 MS 3160	TMFN 52-64 TMFN 52-64	– –	
Tr 320x5	356 360	336 346	380 400	42 42	55 56	24 24	12 12	9 13	▶ HM 3064 ▶ HM 3164	MS 3068-64 MS 3164	TMFN 52-64 TMFN 52-64	– –	
Tr 340x5	376 400	356 373	400 440	45 55	58 72	24 28	12 15	11 24	▶ HM 3068 ▶ HM 3168	MS 3068-64 MS 3172-68	TMFN 52-64 TMFN 64-80	– M 10	
Tr 360x5	394 420	375 393	420 460	45 58	58 75	28 28	13 15	11,5 26,5	▶ HM 3072 ▶ HM 3172	MS 3072 MS 3172-68	TMFN 64-80 TMFN 64-80	– M 10	
Tr 380x5	422 440	399 415	450 490	48 60	62 77	28 32	14 18	15 32	▶ HM 3076 ▶ HM 3176	MS 3080-76 MS 3176	TMFN 64-80 TMFN 64-80	– M 10	
Tr 400x5	442 460	419 440	470 520	52 62	66 82	28 32	14 18	17 38	▶ HM 3080 ▶ HM 3180	MS 3080-76 MS 3184-80	TMFN 64-80 TMFN 64-80	– M 10	
Tr 420x5	462 490	439 460	490 540	52 70	66 90	32 32	14 18	18,5 45	▶ HM 3084 ▶ HM 3184	MS 3084 MS 3184-80	TMFN 64-80 TMFN 80-500	– M 10	
Tr 440x5	490 510	463 478	520 560	60 70	77 90	32 36	15 20	26 46,5	▶ HM 3088 ▶ HM 3188	MS 3092-88 MS 3192-88	TMFN 64-80 TMFN 80-500	M 10 M 10	
Tr 460x5	510 540	483 498	540 580	60 75	77 95	32 36	15 20	27 50,5	▶ HM 3092 HM 3192	MS 3092-88 MS 3192-88	TMFN 80-500 TMFN 80-500	M 10 M 10	
Tr 480x5	560	528	620	75	95	36	20	62	HM 3196	MS 3196	TMFN 80-500	M 10	
Tr 500x5	550	523	580	68	85	36	15	33,5	▶ HM 30/500	MS 30/500-96	TMFN 500-600	M 10	
Tr 530x6	590	558	630	68	90	40	20	42,5	▶ HM 30/530	MS 30/600-530	TMFN 500-600	M 10	
Tr 560x6	610	583	650	75	97	40	20	44,5	▶ HM 30/560	MS 30/560	TMFN 500-600	M 10	
Tr 600x6	660	628	700	75	97	40	20	52,5	▶ HM 30/600	MS 30/600-530	TMFN 500-600	M 10	
Tr 630x6	690	658	730	75	97	45	20	55	▶ HM 30/630	MS 30/630	TMFN 500-600	M 10	
Tr 670x6	740	703	780	80	102	45	20	68,5	▶ HM 30/670	MS 30/670	TMFN 600-750	M 10	
Tr 710x7	780	742	830	90	112	50	25	91,5	▶ HM 30/710	MS 30/710	TMFN 600-750	M 12	
Tr 750x7	820	782	870	90	112	55	25	94	▶ HM 30/750	MS 30/800-750	TMFN 600-750	M 12	

▶ Popular item

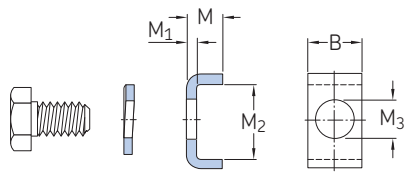
Dimensions								Mass	Designations Lock nut	Associated locking clip	spanner	eye bolt
G	d ₁	d ₂	d ₃	B	B ₅	b	h					
mm								kg	–			
Tr 800x7	870	832	920	90	112	55	25	99,5	▶ HM 30/800	MS 30/800-750	TMFN 600-750	M 12
Tr 850x7	925	887	980	90	115	60	25	115	▶ HM 30/850	MS 30/900-850	–	M 12
Tr 900x7	975	937	1 030	100	125	60	25	131	▶ HM 30/900	MS 30/900-850	–	M 16
Tr 950x8	1 025	985	1 080	100	125	60	25	139	▶ HM 30/950	MS 30/950	–	M 16
Tr 1000x8	1 085	1 040	1 140	100	125	60	25	157	▶ HM 30/1000	MS 30/1000	–	M 16
Tr 1060x8	1 145	1 100	1 200	100	125	60	25	166	▶ HM 30/1060	MS 30/1000	–	M 16
Tr 1120x8	1 205	1 160	1 260	100	125	60	25	175	▶ HM 30/1120	MS 30/1000	–	M 16

▶ Popular item



25.4 MS locking clips

MS 3044 – MS 31/1000



Designations Locking clip	Included hexagonal head bolt	spring washer in accordance with DIN 128	Dimensions					Mass
			B	M	M ₁	M ₂	M ₃	
–			mm					kg
▶ MS 3044	M 6x12	A 6	20	12	4	13,5	7	0,022
▶ MS 3052-48	M 8x16	A 8	20	12	4	17,5	9	0,024
▶ MS 3056	M 8x16	A 8	24	12	4	17,5	9	0,03
▶ MS 3060	M 8x16	A 8	24	12	4	20,5	9	0,033
▶ MS 3068-64	M 8x16	A 8	24	15	5	21	9	0,046
▶ MS 3072	M 8x16	A 8	28	15	5	20	9	0,051
▶ MS 3080-76	M 10x20	A 10	28	15	5	24	12	0,055
▶ MS 3084	M 10x20	A 10	32	15	5	24	12	0,063
▶ MS 3092-88	M 12x25	A 12	32	15	5	28	14	0,067
▶ MS 30/500-96	M 12x25	A 12	36	15	5	28	14	0,076
▶ MS 30/560	M 16x30	A 16	40	21	7	29	18	0,15
▶ MS 30/600-530	M 16x30	A 16	40	21	7	34	18	0,14
▶ MS 30/630	M 16x30	A 16	45	21	7	34	18	0,17
MS 30/670	M 16x30	A 16	45	21	7	39	18	0,19
MS 30/710	M 16x30	A 16	50	21	7	39	18	0,21
MS 30/800-750	M 16x30	A 16	55	21	7	39	18	0,23
MS 30/900-850	M 20x40	A 20	60	21	7	44	22	0,26
MS 30/950	M 20x40	A 20	60	21	7	46	22	0,26
MS 30/1000	M 20x40	A 20	60	21	7	51	22	0,28
▶ MS 3160	M 10x20	A 10	24	12	4	30,5	12	0,04
▶ MS 3164	M 10x20	A 10	24	15	5	31	12	0,055
▶ MS 3172-68	M 12x25	A 12	28	15	5	38	14	0,069
MS 3176	M 12x25	A 12	32	15	5	40	14	0,083
▶ MS 3184-80	M 16x30	A 16	32	15	5	45	18	0,089

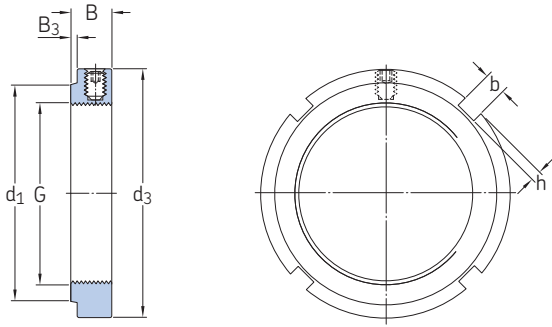
▶ Popular item

Designations Locking clip	Included hexagonal head bolt	spring washer in accordance with DIN 128	Dimensions					Mass
			B	M	M ₁	M ₂	M ₃	
–			mm					kg
▶ MS 3192-88	M 16x30	A 16	36	15	5	43	18	0,097
MS 3196	M 16x30	A 16	36	15	5	53	18	0,11
MS 31/500	M 16x30	A 16	40	15	5	45	18	0,11
MS 31/530	M 20x40	A 20	40	21	7	51	22	0,19
MS 31/600-560	M 20x40	A 20	45	21	7	54	22	0,22
MS 31/630	M 20x40	A 20	50	21	7	61	22	0,27
MS 31/670	M 20x40	A 20	50	21	7	66	22	0,28
MS 31/710	M 24x50	A 24	55	21	7	69	26	0,32
MS 31/800-750	M 24x50	A 24	60	21	7	70	26	0,35
MS 31/850	M 24x50	A 24	70	21	7	71	26	0,41
MS 31/900	M 24x50	A 24	70	21	7	76	26	0,41
MS 31/950	M 24x50	A 24	70	21	7	78	26	0,42
MS 31/1000	M 24x50	A 24	70	21	7	88	26	0,5



25.5 KMFE lock nuts with a locking screw

M 20x1 – M 200x3



Dimensions							Axial load carrying capacity static	Mass	Designations		Grub (set) screw	
G	d ₁	d ₃	B	B ₃	b	h			Lock nut	Associated spanner	Size	Recommended tightening torque
mm							kN	kg	–		–	Nm
M 20x1	26	32	9,5	1	4	2	24	0,034	► KMFE 4	HN 4	M5	4,5
M 25x1,5	31	38	10,5	2	5	2	31,5	0,049	► KMFE 5	HN 5-6	M5	4,5
M 30x1,5	36	45	10,5	2	5	2	36,5	0,066	► KMFE 6	HN 5-6	M5	4,5
M 35x1,5	42,5	52	11,5	3	5	2	50	0,092	► KMFE 7	HN 7	M5	4,5
M 40x1,5	47	58	13	3	6	2,5	62	0,12	► KMFE 8	HN 8-9	M6	8
M 45x1,5	53	65	13	3	6	2,5	78	0,15	► KMFE 9	HN 8-9	M6	8
M 50x1,5	57,5	70	14	3	6	2,5	91,5	0,18	► KMFE 10	HN 10-11	M6	8
M 55x2	64	75	14	3	7	3	91,5	0,21	► KMFE 11	HN 10-11	M6	8
M 60x2	69	80	14	3	7	3	95	0,22	► KMFE 12	HN 12-13	M6	8
M 65x2	76	85	15	3	7	3	108	0,26	► KMFE 13	HN 12-13	M6	8
M 70x2	79	92	15	3	8	3,5	118	0,3	► KMFE 14	HN 14	M6	8
M 75x2	84	98	16	3	8	3,5	134	0,36	► KMFE 15	HN 15	M6	8
M 80x2	91,5	105	18	3	8	3,5	173	0,48	► KMFE 16	HN 16	M8	18
M 85x2	98	110	19	4	8	3,5	190	0,53	► KMFE 17	HN 17	M8	18
M 90x2	102	120	19	4	10	4	216	0,66	► KMFE 18	HN 18-20	M8	18
M 95x2	110	125	20	4	10	4	236	0,75	► KMFE 19	HN 18-20	M8	18
M 100x2	112	130	21	4	10	4	255	0,81	► KMFE 20	HN 18-20	M8	18
M 110x2	121	145	21,5	4	12	5	310	1,05	► KMFE 22	HN 21-22	M8	18
M 120x2	130	155	26	6	12	5	340	1,3	► KMFE 24	TMFN 23-30	M10	35
M 130x2	141	165	28	7	12	5	365	1,5	► KMFE 26	TMFN 23-30	M10	35
M 140x2	152	180	28	7	14	6	440	1,85	► KMFE 28	TMFN 23-30	M10	35
M 150x2	162	195	30	9	14	6	495	2,25	► KMFE 30	TMFN 23-30	M10	35
M 160x3	173	210	32	11	16	7	540	2,8	► KMFE 32	TMFN 30-40	M10	35

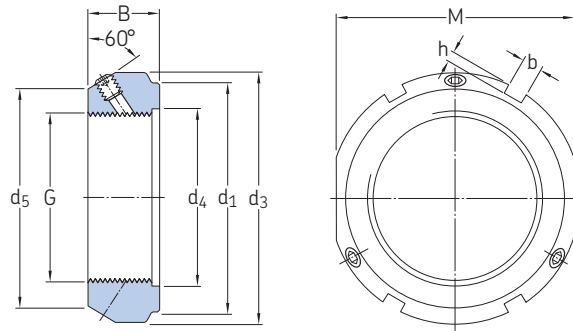
Dimensions							Axial load carrying capacity static	Mass	Designations		Grub (set) screw	
G	d ₁	d ₃	B	B ₃	b	h			Lock nut	Associated spanner	Size	Recommended tightening torque
mm							kN	kg	–		–	Nm
M 170x3	184	220	33	12	16	7	550	3	▶ KMFE 34	TMFN 30-40	M10	35
M 180x3	194	230	34	12	18	8	590	3,3	▶ KMFE 36	TMFN 30-40	M10	35
M 190x3	207	240	34	12	18	8	610	3,55	▶ KMFE 38	TMFN 30-40	M10	35
M 200x3	217	250	34	12	18	8	625	3,7	▶ KMFE 40	TMFN 30-40	M10	35

▶ Popular item



25.6 KMT precision lock nuts with locking pins

M 10x0,75 – M 200x3



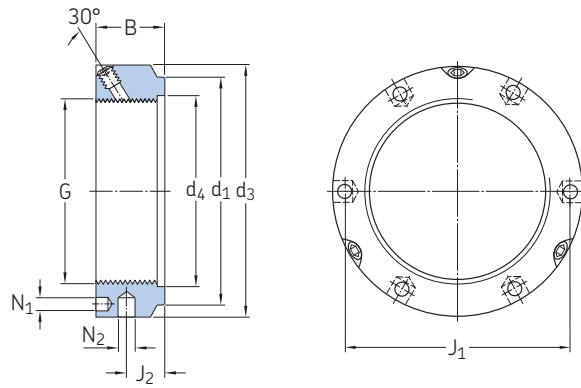
Dimensions						Axial load carrying capacity static	Mass kg	Designations		Grub (set) screw Size	Recommended tightening torque Nm			
G	d ₁	d ₃	d ₄	d ₅	B			M	b			h	Lock nut	Associated spanner
mm						kN	kg	–		–	Nm			
M 10x0,75	23	28	11	21	14	24	4	2	35	0,045	▶ KMT 0	HN 2-3	M 5	4,5
M 12x1	25	30	13	23	14	27	4	2	40	0,05	▶ KMT 1	HN 4	M 5	4,5
M 15x1	28	33	16	26	16	30	4	2	60	0,075	▶ KMT 2	HN 4	M 5	4,5
M 17x1	33	37	18	29	18	34	5	2	80	0,1	▶ KMT 3	HN 5-6	M 6	8
M 20x1	35	40	21	32	18	36	5	2	90	0,11	▶ KMT 4	HN 5-6	M 6	8
M 25x1,5	39	44	26	36	20	41	5	2	130	0,13	▶ KMT 5	HN 5-6	M 6	8
M 30x1,5	44	49	32	41	20	46	5	2	160	0,16	▶ KMT 6	HN 7	M 6	8
M 35x1,5	49	54	38	46	22	50	5	2	190	0,19	▶ KMT 7	HN 7	M 6	8
M 40x1,5	59	65	42	54	22	60	6	2,5	210	0,3	▶ KMT 8	HN 8-9	M 8	18
M 45x1,5	64	70	48	60	22	65	6	2,5	240	0,33	▶ KMT 9	HN 10-11	M 8	18
M 50x1,5	68	75	52	64	25	70	7	3	300	0,4	▶ KMT 10	HN 10-11	M 8	18
M 55x2	78	85	58	74	25	80	7	3	340	0,54	▶ KMT 11	HN 12-13	M 8	18
M 60x2	82	90	62	78	26	85	8	3,5	380	0,61	▶ KMT 12	HN 12-13	M 8	18
M 65x2	87	95	68	83	28	90	8	3,5	460	0,71	▶ KMT 13	HN 15	M 8	18
M 70x2	92	100	72	88	28	95	8	3,5	490	0,75	▶ KMT 14	HN 15	M 8	18
M 75x2	97	105	77	93	28	100	8	3,5	520	0,8	▶ KMT 15	HN 16	M 8	18
M 80x2	100	110	83	98	32	–	8	3,5	620	0,9	▶ KMT 16	HN 17	M 8	18
M 85x2	110	120	88	107	32	–	10	4	650	1,15	▶ KMT 17	HN 18-20	M 10	35
M 90x2	115	125	93	112	32	–	10	4	680	1,2	▶ KMT 18	HN 18-20	M 10	35
M 95x2	120	130	98	117	32	–	10	4	710	1,25	▶ KMT 19	HN 18-20	M 10	35
M 100x2	125	135	103	122	32	–	10	4	740	1,3	▶ KMT 20	HN 21-22	M 10	35
M 110x2	134	145	112	132	32	–	10	4	800	1,45	▶ KMT 22	HN 21-22	M 10	35

Dimensions									Axial load carrying capacity static	Mass	Designations		Grub (set) screw	
G	d ₁	d ₃	d ₄	d ₅	B	M	b	h			Lock nut	Associated spanner	Size	Recommended tightening torque
mm									kN	kg	–		–	Nm
M 120x2	144	155	122	142	32	–	10	4	860	1,6	▶ KMT 24	HN 21-22	M 10	35
M 130x2	154	165	132	152	32	–	12	5	920	1,7	▶ KMT 26	TMFN 23-30	M 10	35
M 140x2	164	175	142	162	32	–	14	5	980	1,8	▶ KMT 28	TMFN 23-30	M 10	35
M 150x2	174	185	152	172	32	–	14	5	1 040	1,95	▶ KMT 30	TMFN 23-30	M 10	35
M 160x3	184	195	162	182	32	–	14	5	1 100	2,1	▶ KMT 32	TMFN 23-30	M 10	35
M 170x3	192	205	172	192	32	–	14	5	1 160	2,2	▶ KMT 34	TMFN 30-40	M 10	35
M 180x3	204	215	182	202	32	–	16	5	1 220	2,3	▶ KMT 36	TMFN 30-40	M 10	35
M 190x3	214	225	192	212	32	–	16	5	1 280	2,4	▶ KMT 38	TMFN 30-40	M 10	35
M 200x3	224	235	202	222	32	–	18	5	1 340	2,5	▶ KMT 40	TMFN 30-40	M 10	35



25.7 KMTA precision lock nuts with locking pins

M 25x1,5 – M 200x3



Dimensions					Axial load carrying capacity static	Mass	Designations		Grub (set) screw Size	Recommended tightening torque				
G	d ₁	d ₃	d ₄	B			J ₁	J ₂			Lock nut	Associated spanner		
mm					kN	kg	–		–	Nm				
M 25x1,5	35	42	26	20	32,5	11	4,3	4	130	0,13	► KMTA 5	B 40-42	M 6	8
M 30x1,5	40	48	32	20	40,5	11	4,3	5	160	0,16	► KMTA 6	B 45-50	M 6	8
M 35x1,5	47	53	38	20	45,5	11	4,3	5	190	0,19	► KMTA 7	B 52-55	M 6	8
M 40x1,5	52	58	42	22	50,5	12	4,3	5	210	0,23	► KMTA 8	B 58-62	M 6	8
M 45x1,5	58	68	48	22	58	12	4,3	6	240	0,33	► KMTA 9	B 68-75	M 6	8
M 50x1,5	63	70	52	24	61,5	13	4,3	6	300	0,34	► KMTA 10	B 68-75	M 6	8
M 55x1,5	70	75	58	24	66,5	13	4,3	6	340	0,37	► KMTA 11	B 68-75	M 6	8
M 60x1,5	75	84	62	24	74,5	13	5,3	6	380	0,49	► KMTA 12	B 80-90	M 8	18
M 65x1,5	80	88	68	25	78,5	13	5,3	6	460	0,52	► KMTA 13	B 80-90	M 8	18
M 70x1,5	86	95	72	26	85	14	5,3	8	490	0,62	► KMTA 14	B 95-100	M 8	18
M 75x1,5	91	100	77	26	88	13	6,4	8	520	0,66	► KMTA 15	B 95-100	M 8	18
M 80x2	97	110	83	30	95	16	6,4	8	620	1	► KMTA 16	B 110-115	M 8	18
M 85x2	102	115	88	32	100	17	6,4	8	650	1,15	► KMTA 17	B 110-115	M 10	35
M 90x2	110	120	93	32	108	17	6,4	8	680	1,2	► KMTA 18	B 120-130	M 10	35
M 95x2	114	125	98	32	113	17	6,4	8	710	1,25	► KMTA 19	B 120-130	M 10	35
M 100x2	120	130	103	32	118	17	6,4	8	740	1,3	► KMTA 20	B 120-130	M 10	35
M 110x2	132	140	112	32	128	17	6,4	8	800	1,45	► KMTA 22	B 135-145	M 10	35
M 120x2	142	155	122	32	140	17	6,4	8	860	1,85	► KMTA 24	B 155-165	M 10	35
M 130x3	156	165	132	32	153	17	6,4	8	920	2	► KMTA 26	B 155-165	M 10	35
M 140x3	166	180	142	32	165	17	6,4	10	980	2,45	► KMTA 28	B 180-195	M 10	35
M 150x3	180	190	152	32	175	17	6,4	10	1 040	2,6	► KMTA 30	B 180-195	M 10	35
M 160x3	190	205	162	32	185	17	8,4	10	1 100	3,15	► KMTA 32	B 205-220	M 10	35

Dimensions									Axial load carrying capacity static	Mass	Designations		Grub (set) screw	
G	d ₁	d ₃	d ₄	B	J ₁	J ₂	N ₁	N ₂			Lock nut	Associated spanner	Size	Recommended tightening torque
mm									kN	kg	–		–	Nm
M 170x3	205	215	172	32	195	17	8,4	10	1 160	3,3	▶ KMTA 34	B 205-220	M 10	35
M 180x3	215	230	182	32	210	17	8,4	10	1 220	3,9	▶ KMTA 36	B 230-245	M 10	35
M 190x3	225	240	192	32	224	17	8,4	10	1 280	4,1	▶ KMTA 38	B 230-245	M 10	35
M 200x3	237	245	202	32	229	17	8,4	10	1 340	3,85	▶ KMTA 40	B 230-245	M 10	35





Index

Text index	1120
Product index	1136

Text index

A

A

- angular contact ball bearings 404
 - cam followers 965, 967, 976
 - cylindrical roller bearings 514
 - deep groove ball bearings 258
 - lock nuts and locking devices 1093, 1103
 - motor encoder units 995
 - support rollers 946, 952
 - tapered roller bearings 692
 - AA** 258
 - AB** 404
 - abutments
 - accuracy requirements 144
 - design considerations 178
 - AC** 386, 392, 404
 - accelerations
 - and minimum load 106
 - and spherical roller bearings 779
 - acceleration sensing 996
 - accessories
 - adapter sleeves 1065–1085
 - bearing selection chart 73–74
 - lock nuts and locking devices 1089–1117
 - AC current 1044, 1047
 - acids 118
 - AC motors 988
 - adapters 968–970
 - adapter sleeves 1065–1085
 - associated hydraulic nuts 1072–1085
 - bearing selection considerations 82
 - coatings 1067
 - designation system 1071
 - designs and variants 1067–1069
 - dimension standards 1070
 - dismounting methods and tools 202, 209
 - for axial location 178–179
 - for CARB toroidal roller bearings 852–853, 868–870, 1069
 - for inch shafts 1070–1071
 - for insert bearings 341, 344, 378–379
 - for metric shafts 1072–1077
 - for oil injection 1068
 - for sealed bearings 1069
 - for self-aligning ball bearings 439, 446–447, 458–461
 - for spherical roller bearings 784, 787, 824–831
 - locking devices 1067, 1069
 - lock nuts 1067, 1069
 - mounted with a spacer ring 1066
 - mounting methods and tools 202–204
 - product tables 1072–1085
 - shaft tolerances 152, 1070
 - tapers 1070
 - threads 1070
 - tolerances 1070
 - with inch dimensions 1067, 1076–1084
- ADB** 514
- additives
 - in grease 117, 118
 - in oil 121
 - adjusted bearing arrangements
 - bearing selection chart 73–74
 - bearing selection considerations 76
 - adjusted reference speed 135
 - adjusting bearings
 - angular contact ball bearings 385–386, 392, 402–403
 - for operating clearance 203
 - tapered roller bearings 687
 - agricultural applications
 - and insert bearings 342–346
 - specification life 88
 - Agri Hub 191
 - AH** 365
 - alignment bearings 80–81
 - alignment needle roller bearings
 - cages 597–598, 608
 - designs and variants 588
 - dimension standards 598–599
 - fits and tolerance classes 603
 - internal clearance 598–599
 - loads 606
 - misalignment 598–599
 - mounting 611
 - operating clearance 598–599
 - product tables 648–651
 - seating rings 588
 - temperature limits 608
 - tolerances 598–599
 - Allen wrenches. See hexagonal keys
 - alloys
 - cage types 25
 - effect on internal clearance 185
 - alternating loads 142
 - aluminium oxide coating
 - on cylindrical roller bearings 515
 - on INSOCOAT bearings 1030–1032, 1033
 - aluminium rings 202
 - ambient temperature
 - effect on bearing shelf life 57
 - heat dissipation/generation 132–134
 - ammonia 188
 - AMP Superseal™ 990, 991, 995, 997
 - angle rings 496–497
 - angular contact ball bearings 383–435
 - adjustment during mounting 203, 385–386, 402–403
 - assortment 385
 - bearing arrangements 70–76
 - bearing selection chart 73–74
 - cages 390–391, 402
 - combined with a needle roller bearing 588–589, 652–653
 - contact angle 79, 384, 385–386, 392–393
 - designation system 404–405
 - designs and variants 385–391
 - dimensional stability 81, 402
 - dimension standards 392
 - double row bearings 386, 424–429
 - fixed section bearings 384
 - for universal matching 385–386, 392–395, 403
 - four-point contact ball bearings 387, 430–435
 - internal clearance 392–397
 - loads 78–79, 384, 398–401, 403
 - lubrication 389, 402
 - matched bearings 405
 - misalignment 392–393
 - NoWear coated bearings 1061
 - preload 392, 395, 403
 - product tables 406–435
 - sealing solutions 388–389, 402
 - SKF Explorer bearings 385, 387
 - speeds 116, 402
 - temperature limits 389, 402
 - tolerances 392–393
 - with a two-piece inner ring 386–387
 - with locating slots 387, 403
 - with Solid Oil 1026
 - angular contact thrust ball bearings 79
 - angular misalignment. See misalignment
 - angular positioning 1000
 - annular grooves
 - in cylindrical roller bearings 500
 - in needle roller bearings 587, 596
 - in self-aligning ball bearings 440–441
 - in spherical roller bearings 776
 - in tapered roller bearings 674–675
 - ANSI standards 32
 - anti-fretting agents 201
 - anti-rotation pins 179
 - applications
 - bearing selection data sheet 1144
 - grease selection chart 125
 - requirements 65–67
 - specification life 88
 - AS** 612
 - asperities 102, 132
 - ASR** 612
 - associated components
 - abutments and fillets 178–179
 - accuracy measurements 200
 - and test running 206–207
 - for axial location 178–179
 - automatic lubricators 114, 120
 - automotive applications
 - and high temperature bearings 1007
 - and sensor bearing units 988
 - and tapered roller bearings 669
 - availability 82
 - AW additives
 - and NoWear coated bearings 1062

effect on viscosity ratio 102
 in greases 118
 in oils 121

axial clamping 185
 axial clamp seals 198
 axial displacement
 bearing selection chart 73–74
 considerations when selecting fits 143
 in bearing arrangements 70–75
 axial drive-up. See drive-up
 axial internal clearance 26, 182–185
 axial loads 21
 radially free bearings 179
 suitable bearing types 78–79
 axial location 70–71, 178
 axial run-out. See run-out
 axleboxes
 and cylindrical roller bearings 515
 specification life 89

B

B
 adapter sleeves 1068
 angular contact ball bearings 392, 404
 cam followers 966, 976
 cylindrical roller bearings 514
 insert bearings 345, 364
 lock nuts and locking devices 1103
 sensor bearing units 995
 tapered roller bearings 692
 backing bearings 495
 back-to-back arrangements
 adjusting for preload 186
 with angular contact ball bearings 386, 394–395, 402
 with combined needle roller bearings 589, 590, 592
 with deep groove ball bearings 249
 with tapered roller bearings 76, 670, 687, 754–759
 ball and cage assemblies
 in angular contact ball bearings 386
 in thrust ball bearings 467
 ball bearings
 compared to roller bearings 20, 78, 79
 designation system 30
 ball bearing units
 for high temperature applications 1007
 with insert bearings 341
 with Solid Oil 1025, 1026
 balls
 bearing terminology 23
 materials 24
 raceway contact 20
 base oils
 compatibility chart 119
 in oils 120–121
 in SKF greases 124–125, 126–127
 base oil viscosity 118, 125, 126–127
 basic dynamic load rating 91
 basic rating life 89–90
 basic static load rating 104
BC 780, 790
 bearing arrangements
 adjusted (cross-located) 76
 bearing selection chart 73–74
 floating (cross-located) 76
 locating/non-locating 70–75
 bearing damage
 electrical erosion 1030, 1045
 false brinelling 207, 1044
 metal fatigue 88
 smearing 102, 106, 1044, 1060, 1062

spalling 211
 time to failure 211
 wear 211

bearing failure 88, 211
 bearing fitting tools 201–202, 209
 bearing height
 series 28–31
 terminology 22
 bearing life
 calculations 89–104
 definitions 88
 specification life per machine type 88–89
 testing 107
 under variable operating conditions 90
 unit conversion table 91
 bearing mean diameter 102
 bearings
 bore diameter tolerances 154–165
 cleaning 200, 212
 handling 200
 outside diameter tolerances 166–175
 popular items 82
 selection chart 73–74
 size categories 201, 207
 storage and shelf life 57
 terminology 22–23
 types 20–32, 69–83
 bearing seats
 accuracy requirements 144–145
 position and width of tolerance classes 140–141
 resultant fits 153–175
 surface roughness 147
 tolerances for housing seats 151–152
 tolerances for shaft seats 148–150
 bearing selection
 application data sheet 1144
 centrifugal pump example 228–235
 process 59–63
 rope sheave example 222–227
 vibrating screen example 216–221
 bearing series 28–30
 bearing size
 and its dependencies 131
 considerations 86–87
 effect on relubrication interval 115
 selection based on rating life 88–89
 selection based on static load 104–106
 bearing systems 86–87
 bearing units. See ball bearing units
 bearing washers
 in cylindrical roller thrust bearings 878–880, 882, 884
 in needle roller thrust bearings 898, 900, 903, 904
 in spherical roller thrust bearings 914, 918
 materials 24
 bearing width
 series 28–31
 terminology 22
 Belleville washers 198, 590, 592
 belt drives 93
BF 612
 black oxide coating
 and other coatings 27, 189
 on cylindrical roller bearings 498
 on insert bearings 343
BMB 995
BMD 995
BMO 995
 bore diameter 22, 28
 boundary dimensions 28–29
 boundary lubrication
 effect on frictional moment 132
 lubrication conditions 102–103
 brass cages 25, 188
BS2 781, 790

C

C
 deep groove ball bearings 258
 insert bearings 365
 tapered roller bearings 674, 692, 693

C1
 deep groove ball bearings 253, 259
 ISO clearance class 27

C2
 angular contact ball bearings 396–397, 405
 CARB toroidal roller bearings 847–848, 855
 cylindrical roller bearings 506, 515
 deep groove ball bearings 252–253, 259
 ISO clearance class 27
 needle roller bearings 603, 613
 self-aligning ball bearings 444, 449
 spherical roller bearings 782–783, 791

C2H 405
C2L 405

C3
 angular contact ball bearings 396–397, 405
 CARB toroidal roller bearings 847–848, 855
 cylindrical roller bearings 506, 515
 deep groove ball bearings 252–253, 259
 ISO clearance class 27
 needle roller bearings 603, 613
 self-aligning ball bearings 444, 449
 spherical roller bearings 782–783, 791

C3P 1049

C4
 angular contact ball bearings 396–397, 405
 CARB toroidal roller bearings 847–848, 855
 cylindrical roller bearings 506, 515
 deep groove ball bearings 252–253, 259
 ISO clearance class 27
 needle roller bearings 613
 spherical roller bearings 782–783, 791

C5
 CARB toroidal roller bearings 847–848, 855
 cylindrical roller bearings 506, 515
 deep groove ball bearings 252–253, 259
 ISO clearance class 27
 spherical roller bearings 782–783, 791

C08
 CARB toroidal roller bearings 846, 855
 spherical roller bearings 791

C083 791
C084 791

CA
 angular contact ball bearings 385, 392, 394, 404
 deep groove ball bearings 250, 253, 259
 spherical roller bearings 775, 790

CAC 790
 cages
 bearing terminology 23
 effect of lubricants on PA66 188–189
 lubrication considerations 112–113
 types 25, 187–188
 calculation tools 61–63
 cam drives
 and cam followers 964
 and cam rollers 932
 and support rollers 944
 cam followers 963–985
 attachment holes 974
 cages 968, 974
 designation system 976–977
 designs and variants 965–968
 dimensional stability 974
 dimension standards 968, 972
 grease fittings 966–967, 968–970, 971
 hexagonal nuts and keys 968–970, 974, 975
 internal clearance 972
 loads 973
 lubrication 933, 968, 970, 971, 974
 mounting 966–967, 975

- plugs 975
- running surface 964, 965, 972, 976
- sealing solutions 967, 974
- speeds 974
- spring washers 975
- support surfaces 974
- temperature limits 974
- tolerances 972
- with an axial sliding ring 966
- cam rollers 931–941
 - cages 934, 936
 - designation system 937
 - designs and variants 933–934
 - dimensional stability 936
 - dimension standards 934
 - double row bearings 932–937, 940–941
 - guide flanges 936
 - internal clearance 934
 - loads 935
 - lubrication 933, 936
 - pins 936
 - product tables 938–941
 - running surface 932, 933, 934
 - sealing solutions 933, 936, 937
 - speeds 936
 - support surfaces 936
 - temperature limits 936
 - tolerances 934
- capped bearings
 - bearing selection considerations 82
 - components 24
 - heating 203
 - storage and shelf life 57
 - washing 200
- capping devices
 - bearing terminology 23
 - types 26
- carbon coating 1060
- CARB toroidal roller bearings 841–875
 - assortment 844
 - axial displacement 842–843, 846, 850–851
 - bearing arrangements 71–75
 - cages 844–845, 850
 - clearance reduction 205, 850, 854
 - contact angle 79
 - designation system 855
 - designs and variants 844–845
 - dimensional stability 81, 850
 - dimension standards 846
 - drive-up data 854
 - free space 852
 - full complement bearings 844–845, 849, 850
 - housings 852
 - internal clearance 846–848, 850
 - in vertical shaft arrangements 853
 - loads 79, 849
 - lock nut tightening angle 854
 - lubrication 845, 850
 - misalignment 842–843, 846, 851–852
 - mounting 205–206, 852, 853–854
 - NoWear coated bearings 1061
 - on an adapter sleeve 852–853, 868–871
 - on a withdrawal sleeve 852–853, 872–875
 - on start-up 849
 - preload 853
 - product tables 856–875
 - sealing solutions 844–845
 - SKF Explorer bearings 842, 844
 - speeds 116, 850
 - suitable adapter sleeves 1069
 - suitable lock nuts 1091, 1094, 1095
 - temperature limits 845, 850
 - tolerances 846
 - vibration 842–843
- carrying tools 200
- car wash systems 341
- case-hardening 27
- CB** 385, 392, 394, 404
- CC** 385, 392, 394, 404
- CC(J)** 775, 790
- CCJA** 778, 790
- centralized lubrication systems
 - and cam followers 968, 970, 971
 - types 120–121
- centrifugal pumps 228–235
- centrifuges 88
- centring flanges
 - in needle roller bearings 586–587
 - in needle roller thrust bearings 897, 910–911
- ceramics. See silicon nitride
- chamfer dimensions 22, 28
- chamfers
 - bearing terminology 23
 - dimension limits 53–54
 - dimension standards 37
 - special-shaped chamfers 190
- chromium coating 1046
- churning 132
- circulating oil
 - effect on frictional power loss 134
 - overview 122–123
- CJ** 790
- CLOO** 692
- CLO** 692
- CL7A** 693
- CL7C** 669, 693
- clamping. See axial clamping
- cleanliness. See contamination
- clearance 153
- clearance reduction
 - and selecting initial clearance 183
 - caused by interference fits 184
 - caused by temperature differences 184–185
 - measuring with a feeler gauge 205
 - values for CARB toroidal roller bearings 854
 - values for spherical roller bearings 789
- CLN** 693
- CN**
 - cylindrical roller bearings 515
 - deep groove ball bearings 259
 - needle roller bearings 613
- CNL** 405
- coatings
 - aluminium oxide 1030, 1031–1032, 1033
 - black oxide 343, 498
 - chromium 1046
 - defining final variant 189
 - manganese phosphate 1007, 1008, 1014
 - molybdenum 1046
 - NoWear (carbon) 1060
 - overview 27
 - phosphate 1067
 - polytetrafluoroethylene (PTFE) 778
 - rust inhibitor 1067
 - zinc 341–343
 - zinc chromate 1046
- cold dismantling 207
- cold mounting 201
- combined loads 21, 78–79
- combined needle roller bearings
 - abutment dimensions 609
 - bearing selection chart 73–74
 - cages 597–598, 608
 - designs and variants 588–593
 - dimension standards 600
 - internal clearance 600, 603
 - loads 606–607
 - lubrication 596
 - misalignment 600
 - product tables 652–659
 - sealing solutions 594–595
 - tolerances 600
- composite housings 362
- compressors
 - and NoWear coated bearings 1060
 - specification life 88
 - suitable cage types 188
- ConCentra insert bearings. See SKF ConCentra insert bearings
- condensation
 - corrosion protection 117
 - storage and shelf life 57
- condition monitoring 211
- conditions of rotation 142
- cones 669
- connecting rods 142, 584
- consistency
 - effect of mixing greases 118
 - effect of temperature changes 117
 - mechanical stability 117
 - NLGI grades 116
- contact angle
 - bearing terminology 21, 22–23
 - effect on load carrying capability 79
 - in angular contact ball bearings 384, 385–386
 - in four-point contact ball bearings 392–393
 - in tapered roller bearings 666
- contact seals
 - external sealing 197–198
 - integral sealing 26
- contact stresses 104
- contamination
 - and bearings with Solid Oil 1024
 - and NoWear coated bearings 1061
 - effect on initial grease fill 113
 - effect on oil change interval 121
 - effect on relubrication interval 115
 - levels of cleanliness 105
 - sealing solutions 195–198
- contamination factor 104–105
- continuous casters
 - and CARB toroidal roller bearings 845
 - and spherical roller bearings 780
- continuous lubrication 114
- conveyor systems
 - and cam followers 964
 - and cam rollers 932
 - and insert bearings 341
 - and sensor bearing units 988
 - and support rollers 944
 - specification life 88
- cooling 134
- copper corrosion test 126–127
- coronet cages 1007, 1009, 1010, 1014
- corrosion inhibitor 1060
- corrosion protection
 - and bearing storage 57
 - of greases 117
 - of oils 120–121
 - technical specifications (SKF greases) 126–127
 - with hybrid bearings 1046
 - with initial grease fill 113
- cranes 88
- crankpins 584
- crankshafts 1000
- creep 142–143
- crushers 88
- cryogenic temperatures 1046
- CS** 776, 790
- CS2** 776, 790
- CS5**
 - CARB toroidal roller bearings 845, 855
 - spherical roller bearings 776, 790
- cups 669
- cup springs. See Belleville washers
- customized bearings 32
- CV** 514
- cylindrical roller and cage thrust assemblies 880, 885
- cylindrical roller bearings 493–579
 - axial displacement 496–501, 504–505
 - bearing arrangements 70–77
 - bearing selection chart 73–74
 - cages 115, 502–503, 511
 - coatings 498

- combined with a four-point contact ball bearing 403
 - contact angle 79
 - designation system 514–515
 - designs and variants 496–503
 - dimensional stability 81, 511
 - dimension standards 504–505
 - dismounting 202, 208
 - double row bearings 499, 500–502, 504–505
 - flanges 494–497, 500–501, 512
 - full complement bearings 500–502, 504–505, 554–579
 - high-capacity bearings 498–499, 502–503, 504, 550–553
 - hybrid bearings 1044–1049, 1056–1057
 - INSOCOAT bearings 1030–1035, 1038–1041
 - internal clearance 504–508
 - loads 78–79, 510
 - lubrication 115, 501–503, 511
 - matched bearings 502
 - misalignment 504–505
 - mounting 201–202, 512
 - NoWear coated bearings 1061
 - product tables 516–579
 - sealing solutions 501–503, 511, 576–579
 - SKF Explorer bearings 502
 - speeds 116, 511
 - temperature limits 511
 - tolerances 504–505
 - with an angle ring 496–497
 - with a retaining ring 500–501
 - with a snap ring groove 498
 - with locating slots 498
 - with Solid Oil 1025, 1026
 - cylindrical roller thrust bearings 877–893
 - abutment dimensions 885
 - bearing selection chart 73–74
 - cages 881, 884
 - combined with a needle roller bearing 592, 600, 658–659
 - contact angle 79
 - designation system 886
 - designs and variants 879–881
 - dimensional stability 81
 - dimension standards 881
 - double direction bearings 879
 - fits and tolerance classes 885
 - loads 79, 884
 - misalignment 881
 - product table 888–893
 - single direction bearings 879
 - speeds 884
 - temperature limits 884
 - tolerances 881–883
 - washers 879–880, 882, 884
 - with raceways on shafts and in housings 885
 - cylindrical seats 202
- D**
- adapter sleeves 1071
 - angular contact ball bearings 386, 404
 - deep groove ball bearings 258
 - needle roller bearings 612
 - tapered roller bearings 674, 692
 - D2** 674
 - D3** 674
 - DA** 514
 - DB**
 - angular contact ball bearings 386, 405
 - deep groove ball bearings 249, 259
 - tapered roller bearings 693
 - DC current 1044, 1047
 - deep groove ball bearings 239–337
 - bearing arrangements 70–75
 - bearing selection chart 73–74
 - cages 248–249, 256
 - contact angle 79
 - designation system 258–259
 - designs and variants 241–249
 - dimensional stability 81, 256
 - dimension standards 250–251
 - double row bearings 242, 334–337
 - for high temperature applications 1008–1009, 1016–1019
 - grease life 246
 - hybrid bearings 1044–1055
 - in ICOS oil sealed bearing units 244, 308–309
 - in insert bearings 340–381
 - in sensor bearing units 988–1003
 - INSOCOAT bearings 1030–1035, 1036–1037
 - internal clearance 250–253
 - loads 78–79, 254–255
 - lubrication 244–246, 256
 - matched bearings 249, 254–255
 - misalignment 250–251
 - NoWear coated bearings 1061
 - product tables 260–337, 1016–1019
 - sealing solutions 242–247, 256
 - SKF Explorer bearings 248
 - SKF Quiet running bearings 248
 - speeds 116, 256
 - stainless steel bearings 241, 243–257, 316–327
 - temperature limits 245, 256
 - tolerances 250–251
 - with a flanged outer ring 247
 - with a snap ring groove 247, 310–315
 - with filling slots 241, 328–333
 - with Solid Oil 1025, 1026
 - defect frequencies. See skf.com/bearingcalculator
 - designation systems 29–32
 - DF**
 - angular contact ball bearings 386, 405
 - deep groove ball bearings 249, 259
 - tapered roller bearings 693
 - dial indicators 203, 206
 - diameter series 28–31, 37, 52
 - differentials 669
 - dimensional stability 27, 81
 - dimensional tolerances
 - accuracy measurements 200
 - for seats and abutments 144–145
 - dimension series 28–31
 - direct drive control 998
 - dismounting 207–210
 - bearing selection considerations 82
 - cold 207
 - considerations when selecting fits 143
 - design provisions 176–177
 - from a cylindrical shaft seat 207–208
 - from an adapter sleeve 209
 - from a tapered shaft seat 208
 - from a withdrawal sleeve 210
 - methods and tools 202
 - using heat 208
 - using the oil injection method 207–210
 - distance rings 178–179
 - distortion 143
 - DO** 674–675
 - double direction bearings
 - cylindrical roller thrust bearings 879
 - needle roller thrust bearings 897
 - thrust ball bearings 466–468, 486–491
 - double row angular contact ball bearings
 - assortment 386
 - bearing selection chart 73–74
 - cages 390–391, 402
 - contact angle 79, 392–393
 - designation system 404–405
 - designs and variants 385, 386
 - dimensional stability 402
 - dimension standards 392–393
 - in hub bearing units 385
 - internal clearance 392–393, 396
 - loads 79, 398–399
 - lubrication 389, 402
 - misalignment 392–393
 - sealing solutions 388–389, 402, 428–429
 - SKF Explorer bearings 386, 387
 - speeds 402
 - temperature limits 389, 402
 - tolerances 392–393
 - double row cam rollers
 - cages 934, 936
 - designation system 937
 - designs and variants 933–934
 - dimensional stability 936
 - dimension standards 934
 - internal clearance 934
 - loads 935
 - lubrication 933, 936
 - product table 940–941
 - running surface 932, 933, 934
 - sealing solutions 936, 937
 - speeds 936
 - temperature limits 936
 - tolerances 934
 - double row cylindrical roller bearings 495
 - double row deep groove ball bearings
 - cages 248–249, 256
 - designation system 258–259
 - designs and variants 242
 - dimensional stability 256
 - dimension standards 250–251
 - internal clearance 250–252
 - loads 242, 254–255
 - misalignment 250–251
 - product table 334–337
 - speeds 256
 - temperature limits 256
 - tolerances 250–251
 - with Solid Oil 1026
 - double row needle roller bearings
 - drawn cup needle roller bearings 585, 596
 - needle roller and cage assemblies 583, 596
 - with machined rings 587, 596
 - double row tapered roller bearings 671–674
 - DR** 502, 515
 - drag losses 132
 - drawn cup needle roller bearings
 - assortment 584
 - bearing selection chart 73–74
 - cages 597–598, 608
 - designs and variants 584–586
 - dimensional stability 608
 - dimension standards 598
 - double row bearings 585, 596
 - fits and tolerance classes 602
 - loads 606
 - lubrication 585, 595
 - misalignment 598
 - mounting 611
 - operating clearance 598
 - product table 618–623
 - sealing solutions 594
 - temperature limits 608
 - tolerances 598
 - drifts 207
 - drive-up
 - mounting bearings with a tapered bore 203, 206
 - values for CARB toroidal roller bearings 854
 - values for self-aligning ball bearings 448
 - values for spherical roller bearings 789
 - drive-up method. See SKF Drive-up Method
 - dropping point
 - high temperature limit 117
 - technical specifications (SKF greases) 126–127
 - drying cylinders
 - and CARB toroidal roller bearings 852
 - and heat generation 131

Designation prefixes and suffixes are shown in **bold**.

dry lubricant. See graphite
 dry running 1060
DS 612
DT
 angular contact ball bearings 386, 405
 deep groove ball bearings 249, 259
 tapered roller bearings 693
 dust 242
 duty intervals 90–92
 dynamic load rating. See basic dynamic load rating
 dynamic misalignment 80

E

E
 adapter sleeves 1069, 1071
 angular contact ball bearings 404
 deep groove ball bearings 258
 self-aligning ball bearings 446, 447, 449
 spherical roller bearings 775–776, 790
 spherical roller thrust bearings 915, 921
 tapered roller bearings 674, 692
EC 514
 eccentric collars 964–965, 974, 975
 eccentric locking collars 341, 343, 372–375
EGS 612
EH 1069, 1071
EJA 778, 790
EL 1069, 1071
 elastic deformation 81
 electrical erosion. See electrical insulation
 electrical insulation
 with hybrid bearings 1044–1045, 1047
 with INSOCOAT bearings 1030–1032
 electrical resistance. See electrical insulation
 electric generators
 and deep groove ball bearings 248
 and hybrid bearings 1046
 and INSOCOAT bearings 1030
 electric motors
 and hybrid bearings 1044, 1045, 1046
 and INSOCOAT bearings 1030
 and sensor bearing units 988, 993, 1000
 noise reduction 186
 protection during standstill 187
 shaft accuracy example 145
 specification life 88
 electric vehicles 988
 electromagnetic environments 991
 encoder units
 motor encoder units 988–995, 1002–1003
 roller encoder units 996
 steering encoder units 997–998
 end plates
 for axial location 178
 terminology 22
 envelope requirement 148
 EP additives
 and NoWear coated bearings 1062
 effect on polymer cages 189
 effect on viscosity ratio 102
 in greases 118, 125
 in oils 121
 technical specifications (SKF greases) 126–127
 equivalent dynamic bearing load 91–92
 equivalent mean load 92
 equivalent static bearing load 105
 escape holes. See grease escape holes
 esters 120–121
 e-turbo(super)chargers 1000
 exciters 779
 extended inner rings
 in insert bearings 341–346

in self-aligning ball bearings 440–441, 446, 462–463
 external forces 91, 93
 external sealing 194–197
 extreme pressure additives. See EP additives
 extreme temperature bearings. See high temperature bearings
 eye bolts
 for large bearings 190, 200–201
 in spherical roller bearings 791
 in spherical roller thrust bearings 921

F

F
 angular contact ball bearings 390, 404
 high temperature bearings 1007, 1010–1011, 1014
 insert bearings 342–345, 365
 spherical roller bearings 790
 spherical roller thrust bearings 921
 thrust ball bearings 468, 471
F1 1049
F3 921
FA
 angular contact ball bearings 404
 spherical roller bearings 790
 face-to-face arrangements
 adjusting for preload 186
 with angular contact ball bearings 76, 386, 394–395, 402
 with deep groove ball bearings 249
 with tapered roller bearings 670, 672, 683, 744–753
 failure probability 88–90
 false brinelling
 and machines on standby 207
 prevention with hybrid bearings 1044
 fans
 and CARB toroidal roller bearings 842
 and insert bearings 341
 and NoWear coated bearings 1060
 and self-aligning ball bearings 438
 specification life 88
 fatigue. See metal fatigue
 fatigue life 88–89
 fatigue load limit 104
 faults 211
 feeler gauges 205
 felt seals 198–199
 fillets 178–179
 filling grade. See grease fills
 filling slot bearings
 cages 248–249, 256
 designs and variants 241
 dimensional stability 256
 dimension standards 250–251
 internal clearance 250–252
 loads 241, 254–255
 misalignment 250–251
 product table 328–333
 sealing solutions 244
 speeds 256
 temperature limits 256
 tolerances 250–251
 with a snap ring groove 241
 filtration 94
 fits
 based on load and operating conditions 142
 for housings 143, 166–175
 for shafts 154–165
 position and width of tolerance classes 140–141
 selection criteria 140–143
 fitting slots 362

five-lip (5-lip) seals 342–344, 346, 349, 355
 fixed section bearings 384
 flanged bearings
 angular contact ball bearings 385
 deep groove ball bearings 247
 tapered roller bearings 670, 742–743, 1031
 flange rings
 in cam followers 965, 966–967, 973
 in support rollers 944, 945–947, 951
 flanges
 in cylindrical roller bearings 494–497, 500–501, 512
 in needle roller bearings 612
 in spherical roller bearings 775
 in tapered roller bearings 667
 flingers
 for oil lubrication 196–197
 in insert bearings 342–347
 floating bearing arrangements
 bearing selection chart 73–74
 bearing selection considerations 76–77
 fluctuating loads 90
 fluoro rubber (FKM)
 in deep groove ball bearings 244
 in hybrid bearings 1045
 in needle roller bearings 594
 in spherical roller bearings 776
 in tapered roller bearings 672
 safety precautions 197
 food and beverage industry
 and bearings with Solid Oil 1025
 and high temperature bearings 1007
 and insert bearings 341, 342, 362
 food-grade lubricants
 for bearings with Solid Oil 1025
 for high temperature bearings 1007, 1009, 1010
 for insert bearings 342, 348
 grease selection chart (SKF greases) 124–125
 forklifts 988
 form tolerances. See geometrical tolerances
 four-point contact ball bearings
 assortment 387
 bearing selection chart 73–74
 cages 390–391, 402
 contact angle 79
 design 385, 387
 designation system 404–405
 dimensional stability 81, 402
 dimension standards 392–393
 INSOCOAT bearings 1031
 internal clearance 392–393, 397
 loads 79, 398–399, 403
 locating slots 191
 misalignment 392–393
 product table 430–435
 SKF Explorer bearings 387
 speeds 402
 temperature limits 402
 tolerances 392–393
 used as a thrust bearing 403
 with locating slots 387, 403
 four-row cylindrical roller bearings 495
 four-row tapered roller bearings 668, 674
FR 514
 frequency converters 1030
 fretting corrosion
 and conditions of rotation 142
 and PTFE coatings 778
 technical specifications (SKF greases) 126–127
 friction
 and its dependencies 132
 bearing selection chart 73–74
 bearing selection considerations 79
 in ball and roller bearings 20
 SKF model of bearing friction 132
 frictional moment
 estimation 132
 starting torque 133

frictional power loss 132–134
 full complement bearings
 bearing selection chart 73–74
 CARB toroidal roller bearings 844–845, 849, 850
 combined needle roller bearings 590, 595
 compared to bearings with a cage 78, 81
 cylindrical roller bearings 500–502, 504–505, 554–579
 drawn cup needle roller bearings 584–585
 full film lubrication
 effect on frictional moment 132
 lubrication conditions 102–103
 furnaces 88

G

G
 adapter sleeves 1071
 angular contact ball bearings 385, 392, 394, 404
 insert bearings 365
 tapered roller bearings 674, 692
G2 598, 601, 604, 613

GA
 angular contact ball bearings 385, 392, 395, 404
 deep groove ball bearings 250, 253, 259
 gap-type seals 196
 gaskets 195
 gauges
 feeler gauges 205
 for checking associated components 200
 for needle rollers 601, 611
 pressure gauges 206
 taper gauges 147, 200
GB 385, 392, 395, 404
GC 385, 392, 395, 404

GE2
 angular contact ball bearings 389, 405
 deep groove ball bearings 245, 259
 gears
 and cylindrical roller bearings 498
 and NoWear coated bearings 1060
 and spherical roller bearings 779, 780
 and tapered roller bearings 671
 load conditions 93
 specification life 88

GEM9
 CARB toroidal roller bearings 845, 855
 spherical roller bearings 776, 791
 general plans. See ISO, general plans
 generators
 and hybrid bearings 1044, 1045–1046, 1049
 and sensor bearing units 1000
 specification life 88
 Geometrical Product Specification (GPS) 36
 geometrical tolerances
 accuracy measurements 200
 for seats and abutments 144–145
 geometric centres 683–684

GFJ
 deep groove ball bearings 244–245, 259
 insert bearings 348

GJN
 angular contact ball bearings 389
 deep groove ball bearings 244–245, 259
 glass fibre reinforced polymers 188
 glass industry 1007
GLE 776, 791
 gloves 197, 200
 go-karts 341
GR 365
 graphite
 as a solid lubricant additive 118

in high temperature bearings 1007, 1009, 1010
 gravitational forces 91
 grease escape holes 114
 grease fills
 initial fill 112–113
 replenishment 113, 114
 grease fittings 966–967, 968–970
 grease life
 and the SKF traffic light concept 118
 estimating the relubrication interval 111
 technical specifications (SKF greases) 126–127
 grease lubrication
 initial fill 112–113
 relubrication 111–115
 running-in period 113
 selecting a suitable grease 116–119
 versus oil lubrication 110–111
 grease performance factor 245–246
 greases
 additives 117, 118
 base oil viscosity 125, 126–127
 consistency grades 116
 corrosion protection 117
 inspection and monitoring 212–213
 load carrying ability 118
 load ranges 116
 miscibility 118–119
 selection chart (SKF greases) 124–125
 SKF traffic light concept 117–118
 speed ranges 116
 technical specifications (SKF greases) 126–127
 temperature ranges 116
 grinding spindles 187
 grub screw locking
 with high temperature bearings 1010–1013
 with insert bearings 341–344, 356, 366–370
 grub screws 360, 362
GS
 cylindrical roller thrust bearings 880, 882, 885, 886
 needle roller thrust bearings 898, 904
 gudgeon pins 584
 guide flanges 23, 936
 guide rings 774–775
 guiding sleeves 201
GWF 389, 405
GXN 389
 gym equipment 341

H

H
 adapter sleeves 1068, 1071
 lock nuts and locking devices 1103
 needle roller bearings 613
HA1
 cylindrical roller bearings 515
 cylindrical roller thrust bearings 886
 deep groove ball bearings 259
 tapered roller bearings 692
HA2
 cylindrical roller bearings 515
 tapered roller bearings 692
HA3
 CARB toroidal roller bearings 855
 cylindrical roller bearings 515
 spherical roller bearings 791
 tapered roller bearings 692
HA4 692
HA5 692
HA6 692
HA7 692
 Hall effect cells 989, 991, 998

hammers 209
 hardening 27
 hardness
 of bearing rings 91
 of seal counterfaces 197
HB 1068, 1071
HB1
 cylindrical roller bearings 515
 cylindrical roller thrust bearings 886
 tapered roller bearings 692
HB2 692
HB3 515
HC5 1049
 heat dissipation 132, 133
 heaters 202
 heat generation 131
 heating rings 208
 heat stabilization. See dimensional stability
 heat treatment 27
 hexagonal keys
 for cam followers 966–967, 975
 for insert bearings 360, 362
 hexagonal nuts 968–969, 974
 high-capacity bearings 498–499, 550–553
 high temperature bearings 1005–1021
 applications 1006, 1007, 1013
 assortment 1007
 axial displacement 1013
 coatings 1007, 1008, 1014
 deep groove ball bearings 1008–1009, 1016–1019
 designation system 1014
 designs and variants 1008, 1010
 dimensional stability 1011
 dimensional standards 1011
 fits and tolerance classes 1013
 insert bearings 1010–1011, 1020–1021
 internal clearance 1008, 1010, 1011–1012
 loads 1012–1013
 lubrication 1007, 1009, 1010, 1014
 misalignment 1011
 mounting 1014
 product tables 1016–1021
 running in 1007, 1014
 sealing solutions 1008–1009, 1010–1011
 speeds 1009, 1010, 1014
 temperature limits 1007, 1008–1011, 1013, 1014
 tolerances 1011–1012
HN1 515
HN3 692
 hollow shafts 143, 146
 hook spanners
 for dismounting bearings 210
 for insert bearings 361
 for mounting bearings 202–203
 hot dismounting 208
 hot mounting 203
 hotplates 203
 housing bore diameter 22
 housing covers
 for axial location 178
 terminology 22
 housings
 bearing selection chart 73–74
 considerations when selecting fits 143
 for CARB toroidal roller bearings 852
 for self-aligning ball bearings 447
 for spherical roller bearings 788
 terminology 22
 housing seats
 accuracy requirements 144–145
 position and width of tolerance classes 141
 terminology 22
 tolerances and resultant fits 166–175
 tolerances for radial bearings 151
 tolerances for thrust bearings 152
 housing washers

bearing terminology 23
 in cylindrical roller thrust bearings 880, 882, 885
 in needle roller thrust bearings 898, 903, 904
 in spherical roller thrust bearings 914, 918, 920
 in thrust ball bearings 467–468, 470

HT 244–245, 259

hub bearing units
 with angular contact ball bearings 385
 with tapered roller bearings 668

humidity
 effect on bearing shelf life 57
 effect on EP/AW additives 118

HV 342, 365

hybrid bearings 1043–1057
 assortment 1045
 axial displacement 1047
 cages 1046, 1048
 coatings 1046
 compared to all-steel bearings 79, 81, 1044, 1046
 customized bearings 1046
 cylindrical roller bearings 1045–1046, 1056–1057
 deep groove ball bearings 1045–1046, 1050–1055
 designation system 1049
 designs and variants 1045–1046
 dimensional stability 1046, 1048
 dimension standards 1047
 electrical properties 1047
 internal clearance 1047
 loads 1048
 lubrication 1045–1046, 1048
 misalignment 1047
 preload 1048
 sealing solutions 1045–1046, 1048
 SKF Explorer bearings 1045
 speeds 1044–1045, 1048
 temperature limits 1046, 1048
 tolerances 1047

hydraulic motors 1060

hydraulic mounting tools 202

hydraulic nuts
 for adapter sleeves 1072–1085
 for dismounting bearings 202, 209–210
 for mounting bearings 202, 203–204, 206
 safety precautions 210

hydraulic pullers 202, 208

hydraulic pumps
 and NoWear coated bearings 1060
 for dismounting bearings 210
 for mounting bearings 206

hydrodynamic films 120

I

ICOS 258

ICOS oil sealed bearing units 244, 248, 308–309

impact loads 779

impact spanners 202, 203, 210

impulse rings 989, 993, 994, 1000

inch bearings
 cylindrical roller bearings 496
 deep groove ball bearings 241
 tapered roller bearings 676–678, 687–689, 691, 714–741

inch lock nuts 1093

inch shafts
 and adapter sleeves 1070–1071
 and high temperature bearings 1021
 and insert bearings 368–370, 374–375, 377, 379

inch sleeves 1067, 1076–1084

indentations 94

indexing roller units 493

induction-hardening 27

induction heaters
 for dismounting bearings 202, 208
 for motor encoder units 994
 for mounting bearings 202–203

inductive sensors 990

inertial forces 91

initial clearance 182–185

initial grease fills 114

injection moulded cages 188

inlet shear heating 132

inner ring expansion 206

inner rings
 bearing terminology 23
 for needle roller bearings 592–593, 601, 660–662
 materials 24

insert bearings 339–381
 applications 341
 assortment 341
 axial displacement 344, 347, 356
 bearing selection chart 73–74
 cages 346–347, 355
 designation system 364–365
 designs and variants 341–347
 dimensional stability 355
 dimension standards 350
 dismounting 359–362
 fits and tolerance classes 358–359
 for agricultural applications 342–345
 for high temperature applications 1010–1011, 1020–1021
 for inch shafts 368–370, 374–375, 377, 379
 for the food and beverage industry 341, 342
 housings 347, 351, 362
 internal clearance 350, 352
 key sizes 360, 362
 loads 345, 348–349, 353–354
 locking methods 341
 lubrication 348–349, 355
 misalignment 340, 351, 362–363
 mounting 359–362
 product tables 366–381
 sealing solutions 345–346, 355
 SKF ConCetra bearings 344, 358–359, 362–363, 376–377
 speeds 355
 temperature limits 347, 348, 355
 tightening torques/angles 360–362
 tolerances 350, 352
 vibration 340, 344, 347
 with an adapter sleeve 341, 344, 350, 358–361, 378–379
 with an eccentric locking collar 341, 343, 355, 372–375
 with an extended inner ring 341, 342–346
 with an interference fit 341, 345
 with a rubber seating ring 346–347, 351
 with a standard inner ring 345, 349, 358, 380
 with a tapered bore 344, 378–379
 with grub screws 341, 342–344, 355, 356, 366–371
 with Solid Oil 1025, 1026
 with stainless steel components 342, 345, 348
 with zinc-coated rings 342, 343, 348

insert bearing units. See ball bearing units

INSOCOAT bearings 1029–1041
 abutment dimensions 1035
 assortment 1031
 axial displacement 1033
 cages 1032, 1034
 coatings 27, 1030–1032, 1033
 cylindrical roller bearings 1030–1035, 1038–1041
 deep groove ball bearings 1030–1035, 1036–1037
 defining final variant 189
 designation system 1035

designs and variants 1031–1032
 dimension standards 1033
 electrical properties 1032
 four-point contact ball bearings 1031
 internal clearance 1033
 loads 1034
 lubrication 1034
 misalignment 1033
 mounting 1035
 sealing solutions 1032
 speeds 1034
 tapered roller bearings 1031
 temperature limits 1034
 tolerances 1033

inspection 211–212

insulation. See electrical insulation

integral sealing
 bearing selection chart 73–74
 bearing selection considerations 82
 defining final variant 189
 types 26

interference 153

interference fits
 and clearance reduction 184
 dismounting bearings 207
 mounting bearings 201, 203
 position and width of tolerance classes 141

intermediate rings
 in needle roller bearings 609
 in tapered roller bearings 672–673

intermediate washers
 in cylindrical roller thrust bearings 879
 in needle roller thrust bearings 897

internal clearance
 selecting clearance or preload 182–185
 types 26–27

internal gauges 200

IS 593, 612

ISO
 clearance classes 27
 dimension series 77
 general plans 28
 GPS 36
 reference speed 135
 tolerance classes 36
 tolerance grades 145
 tolerance system 140–141
 viscosity grades 103

ISR 612

J

angular contact ball bearings 390, 404
 cylindrical roller bearings 502, 514
 spherical roller bearings 790
 tapered roller bearings 692

J1 390, 404

JA
 cylindrical roller bearings 502–503, 511, 514
 spherical roller bearings 790

jaw pullers 202

JB 502–503, 511, 514

K

K
 CARB toroidal roller bearings 844, 855
 cylindrical roller bearings 498, 514

cylindrical roller thrust bearings 880, 882, 885, 886
 insert bearings 365
 self-aligning ball bearings 449
 spherical roller bearings 775, 790

K30
 CARB toroidal roller bearings 844, 855
 spherical roller bearings 775, 790

keys. See hexagonal keys
 key slots 1071, 1095
 keyways 1091, 1093, 1095
 kilns. See ovens
 kinematic replenishment/starvation 132
 kinematic viscosity. See viscosity

L

L
 adapter sleeves 1069, 1071
 cylindrical roller bearings 502, 514
 lock nuts and locking devices 1103

L4B
 cylindrical roller bearings 498, 515
 tapered roller bearings 692

L5B 515

L5DA 1060, 1061, 1062

L7B 515

L7DA 1060, 1061, 1062

LA 502, 511, 514

labyrinth seals 195, 196

large bearings
 availability 82
 dismantling 207–210
 effect on relubrication interval 115
 handling 200
 mounting 202–204
 size category 201

LB 502, 511, 514

LHT23 244–245, 259

life. See bearing life
 life adjustment factor 89–90
 life modification factor. See SKF life modification factor

lifting tackle 200

lifts 88

limiting speed 135

line contact 20

LL 502, 511, 514

load ratings
 dynamic 91
 static 104

loads
 bearing selection chart 73–74
 bearing selection considerations 78–79
 conditions of rotation 142
 effect on relubrication interval 118
 external forces 91, 93
 fluctuating 90
 peak 92–93, 104, 106
 ranges for greases 116
 requisite minimum load 106
 rotating 92–93

locating bearings 70–71

locating/non-locating bearing arrangements 70–75

locating slots
 in cylindrical roller bearings 498
 in deep groove ball bearings 258
 in four-point contact ball bearings 190–191, 387, 403, 404

locking clips
 designs 1094
 for adapter sleeves 1067, 1069
 installation and removal 1100–1101
 locking principle 1094

product table 1110–1111

locking methods 341

locking pins 1114–1117

locking plates
 designs 1093
 for adapter sleeves 1067
 locking principle 1094

lock nuts 1089–1117
 designs and variants 1090–1094
 dimension standards 1098
 for axial location 178–179
 for bearings mounted on sleeves 1067, 1069
 for CARB toroidal roller bearings 1091, 1094, 1095
 for sealed bearings 1091, 1095
 for self-aligning ball bearings 1095
 for spherical roller bearings 1095
 installation and removal 1100–1102
 keyways 1091, 1093, 1095
 locking principles 1091–1092, 1094, 1097
 loosening torque 1098
 mating shaft threads 1098
 precision lock nuts 1092, 1096–1097, 1096–1099
 product tables 1104–1117
 threads 1098–1099
 tolerances 1098
 with a locking clip 1091, 1094, 1108–1109
 with a lock washer 1091, 1104–1105
 with an integral locking device 1091, 1095
 with an integral locking screw 1091, 1095, 1112–1113
 with inch dimensions 1093
 with locking pins 1114–1117

lock nut tightening angle
 values for CARB toroidal roller bearings 854
 values for insert bearings 361
 values for self-aligning ball bearings 448
 values for spherical roller bearings 789
 verifying the interference fit 205

lock washers
 designs 1093
 for adapter sleeves 1067, 1069
 installation and removal 1100
 locking principle 1094
 product tables 1106–1107

logarithmic profile
 in cylindrical roller bearings 494–495
 in tapered roller bearings 667

loose fits 141

low-friction bearings 669

low-friction seals
 in deep groove ball bearings 242–243
 integral seals 26

LS 514

LT 244–245, 259

LT10 245, 259

LubeSelect 116

lubricants
 effect on cage materials 188–189
 greases 116–119
 inspection and monitoring 212–213
 oils 120–121
 Solid Oil 1024

lubricated for life
 high temperature bearings 1006, 1014
 insert bearings 349

lubrication 109–127
 grease 116–120
 grease selection chart (SKF greases) 124–125
 in bearing life calculations 102–103
 oil 120–123
 selecting grease or oil 110–111

lubrication conditions
 calculating the viscosity ratio 102–103
 dependencies 131
 effect on frictional moment 132

M

M
 angular contact ball bearings 390–391, 404
 CARB toroidal roller bearings 845, 855
 cylindrical roller bearings 502, 514
 cylindrical roller thrust bearings 881, 886
 deep groove ball bearings 248, 258
 hybrid bearings 1046
 INSOCOAT bearings 1032
 self-aligning ball bearings 442, 449
 spherical roller thrust bearings 921
 thrust ball bearings 468, 471

MA
 angular contact ball bearings 390–391, 402, 404
 four-point contact ball bearings 390–391, 402, 404
 spherical roller bearings 790

machined cages 25

machine maintenance. See inspection

machine tools
 bearing selection considerations 81
 specification life 88

magnetic sensors
 for motor encoder units 990
 for steering encoder units 998

maintenance-free
 angular contact ball bearings 389
 CARB toroidal roller bearings 845
 deep groove ball bearings 244
 hybrid bearings 1045
 self-aligning ball bearings 440
 spherical roller bearings 776

mandrels 975

manganese phosphate coating 1007, 1008, 1014

marginal lubrication 1062

marine applications
 and NoWear coated bearings 1060
 specification life 88

MA(S)
 cylindrical roller bearings 502, 511, 514
 deep groove ball bearings 248, 258

matched bearings
 angular contact ball bearings 405
 bearing selection chart 73–74
 cylindrical roller bearings 502
 deep groove ball bearings 249, 254–255
 tapered roller bearings 670–671, 682–684, 687, 744–761

material handling applications 341

materials
 of bearing components 24–25
 of cages 25, 188–189
 of shafts and housings 143

mating surfaces 201

MB
 angular contact ball bearings 404
 CARB toroidal roller bearings 845
 cylindrical roller bearings 502, 511, 514

MB(1) 855

MB(S) 248, 258

mean loads 92

mechanical mounting tools 202

mechanical pullers 202, 207

mechanical seals 198–199

mechanical speed limit 135

medical applications 88

medium-size bearings
 dismantling 202, 207–210
 mounting 202–206
 size category 201

metal fatigue 88

metal seals 198–199

metals industry 1007

MH 502–503, 511, 514

micrometers 200

mills 88

- mineral oils
 - in greases 119
 - in oils 120–121
 - minimum load 106
 - mining applications
 - and cylindrical roller bearings 498
 - and tapered roller bearings 671
 - specification life 88
 - misalignment
 - bearing selection chart 73–74
 - bearing selection considerations 80
 - types 80
 - miscibility 118–119
 - mixed lubrication 103, 132
 - ML**
 - cylindrical roller bearings 502, 511, 514
 - hybrid bearings 1046, 1048
 - INSOCOAT bearings 1032
 - M./M..** 613
 - moisture 1024
 - molybdenum 1046
 - molybdenum disulfide 118
 - motor encoder units
 - axial location 993
 - bearing arrangements 993
 - bearings 989
 - cable connection 989–991, 993–995
 - cages 995
 - designation system 995
 - designs and variants 989–990
 - dimension standards 992
 - electromagnetic compatibility 991
 - filtering 991
 - for extreme operating conditions 990
 - internal clearance 992
 - loads 992
 - lubrication 990
 - mounting 993, 994–995
 - output signal features 991
 - power supply 991
 - product table 1002–1003
 - receiving interface requirements 991
 - sealing solutions 989, 993
 - sensor technology 989–990
 - speeds 993
 - temperature limits 992
 - tolerances 992
 - voltage supply 989, 991
 - mounted clearance 182
 - mounting 200–207
 - bearing selection chart 73–74
 - bearing selection considerations 82
 - bearings with a cylindrical bore 201–203
 - bearings with a tapered bore 203–206
 - cold 201
 - considerations when selecting fits 143
 - design provisions 176–177
 - measuring the axial drive-up 203, 206
 - measuring the clearance reduction 205
 - measuring the inner ring expansion 206
 - measuring the lock nut tightening angle 205
 - methods and tools 202
 - using heat 203
 - using the oil injection method 204
 - mounting dollies 611
 - mounting sleeves 512
 - MP** 511, 514
 - MR** 514
 - MT33**
 - angular contact ball bearings 389, 405
 - deep groove ball bearings 259
 - MT47** 259
- N**
- N**
 - angular contact ball bearings 404
 - cylindrical roller bearings 498, 514
 - deep groove ball bearings 247, 258
 - tapered roller bearings 674
 - N1**
 - angular contact ball bearings 404
 - cylindrical roller bearings 498, 514
 - deep groove ball bearings 258
 - spherical roller thrust bearings 921
 - tapered roller bearings 674
 - N2**
 - angular contact ball bearings 387, 404
 - cylindrical roller bearings 498, 514
 - spherical roller thrust bearings 921
 - tapered roller bearings 674
 - needle roller and cage assemblies
 - abutment dimensions 609
 - bearing selection chart 73–74
 - cages 597–598, 608
 - designs and variants 583
 - dimensional stability 608
 - dimension standards 598
 - double row bearings 583, 596
 - fits and tolerance classes 601
 - loads 606
 - misalignment 598
 - mounting 611
 - operating clearance 598
 - product table 614–617
 - temperature limits 608
 - tolerances 598
 - needle roller and cage thrust assemblies
 - designation system 904
 - designs and variants 896–897
 - fits and tolerance classes 903
 - product table 906–909
 - tolerances 900
 - needle roller bearings 581–663
 - abutment dimensions 609
 - axial displacement 582–583, 586–595, 611
 - bearing selection chart 73–74
 - cages 597–598, 608
 - combined with a cylindrical roller thrust bearing 592, 600, 658–659
 - combined with an angular contact ball bearing 588–589, 600, 652–653
 - combined with a needle roller thrust bearing 586–587, 897
 - combined with a thrust ball bearing 590–591, 600, 654–657
 - contact angle 79
 - designation system 612–613
 - designs and variants 583–596
 - dimensional stability 81, 608
 - dimension standards 598–601
 - dismounting 208
 - features 582
 - gauges 598–599, 611
 - inner rings 592–593, 601, 660–662
 - internal clearance 598–601, 602–603, 603
 - loads 79, 606–607
 - lubrication 585, 595–596, 608
 - misalignment 598–601
 - mounting 201, 611
 - needle rollers 593, 601, 613
 - NoWear coated bearings 1061
 - product tables 614–663
 - sealing solutions 594–595, 608
 - shaft and housing raceway tolerances 610
 - speeds 608
 - temperature limits 608
 - tolerances 598–601
 - with machined rings 586–587, 595–596, 598–599, 624–647
 - needle rollers
 - in cam followers 966, 976
 - in needle roller bearings 593, 601, 604, 611
 - in support rollers 944, 945–946, 946
 - needle roller thrust bearings 895–911
 - abutment dimensions 903
 - bearing selection chart 73–74
 - cages 898–899, 902
 - combined with a needle roller bearing 586–587, 897
 - contact angle 79
 - designation system 904
 - designs and variants 896–898
 - dimensional stability 81, 902
 - dimension standards 899
 - double direction bearings 897
 - loads 79, 902
 - lubrication 902
 - misalignment 899
 - needle roller and cage thrust assemblies 896–897, 906–909
 - product tables 906–911
 - raceways on shafts and in housings 903
 - speeds 902
 - temperature limits 902
 - tolerances 899–901
 - washers 898, 900, 903, 904
 - with a centring flange 897, 900, 903, 904, 910–911
 - Nilos rings 1008–1009
 - nitrogen steel 1049
 - NLGI grades
 - consistency classification 116
 - grease selection chart (SKF greases) 124–125
 - technical specifications (SKF greases) 126–127
 - N/M** 613
 - noise
 - and CARB toroidal roller bearings 842–843
 - and insert bearings 340, 344, 347, 355
 - and self-aligning ball bearings 438
 - and tapered roller bearings 667
 - monitoring 206, 211
 - reduction by spring loading 186, 1048
 - non-contact seals
 - external sealing 196
 - integral sealing 26
 - non-locating bearings
 - considerations when selecting fits 143
 - types 70–71
 - non-separable bearings
 - dismounting 207
 - mounting 201
 - notches. See locating slots
 - NoWear coated bearings 1059–1063
 - applications 1060, 1061, 1062
 - assortment 1061
 - cages 1061
 - designation system 1062
 - designs and variants 1061
 - dimension standards 1062
 - hardness 1060
 - internal clearance 1062
 - loads 1062
 - lubrication 1062
 - misalignment 1062
 - speed 1062
 - temperature limits 1062
 - tolerances 1062
 - NoWear coating 27, 189
 - NR**
 - angular contact ball bearings 386, 404
 - cylindrical roller bearings 514
 - deep groove ball bearings 247, 258
 - NS** 845, 855
 - NSF H1 food-grade lubricants
 - in bearings with Solid Oil 1025, 1027
 - in high temperature bearings 1007, 1009, 1010

O

off-highway vehicles 997
offset mounting 852
offshore applications 1060
ohmic resistance. See electrical resistance
oil-air 122–123
oil bath 122–123
oil distribution grooves
 dimensions 177
 in adapter sleeves 1068
 oil injection method (dismounting) 207–210
 oil injection method (mounting) 204
oil films 132
oil flow rate 134
oil injection method
 dimensions for ducts, grooves, and holes 177
 for dismounting bearings 202, 207–210
 for mounting bearings 202, 203–204
 shaft surface roughness 176
 with adapter sleeves 204, 1068
 with withdrawal sleeves 204, 210, 1087
oil jet 122–123
oil lubrication
 for cooling 134
 methods 122–123
 oil change intervals 121–122
 oils 120–121
 versus grease lubrication 110–111
oil pick-up rings 122–123
oils 120–121
oil supply ducts
 dimensions 177
 in adapter sleeves 1068
 oil injection method (dismounting) 207
 oil injection method (mounting) 204
open bearings
 heating 203
 storage and shelf life 57
operating clearance 182–183
operating conditions 65–67
operating temperature 129–137
 and its dependencies 131
 effect on oil change interval 121
 effect on relubrication interval 115
 estimation 133
 heat dissipation 133
 thermal equilibrium 131
O-rings 195
oscillating movements
 and NoWear coated bearings 1060, 1061
 and static load 104
 definition 91
 grease selection chart (SKF greases) 124–125
 load conditions 142
outer ring rotation
 and roller encoder units 996
 effect on relubrication interval 115
 fits and tolerance classes 151
 load conditions 142
outer rings
 bearing terminology 23
 materials 24
outside diameter 22, 28
ovens 1007

P

P
angular contact ball bearings 390, 404
cylindrical roller bearings 502, 514
hybrid bearings 1046

INSOCOAT bearings 1032
lock nuts and locking devices 1103

P5

angular contact ball bearings 405
cylindrical roller thrust bearings 886
deep groove ball bearings 250–251, 259
ISO tolerance class 36
needle roller bearings 613
spherical roller bearings 791
tapered roller bearings 692
thrust ball bearings 471

P6

angular contact ball bearings 405
deep groove ball bearings 250–251, 259
ISO tolerance class 36
needle roller bearings 613
spherical roller bearings 791
thrust ball bearings 471

P6CNL 405

P6CNR 613

P52 259

P62

angular contact ball bearings 405
deep groove ball bearings 259
needle roller bearings 613
spherical roller bearings 791

P63

angular contact ball bearings 405
deep groove ball bearings 259
needle roller bearings 613

P64 405

PA 502, 511, 514

PA46 (polyamide 46) 25, 188

PA66 (polyamide 66) 25, 188–189

paired mounting

 with angular contact ball bearings 386, 392, 400, 402
 with deep groove ball bearings 249, 250, 254–255
 with tapered roller bearings 670–671, 681–684, 744–761

paper machines

 and CARB toroidal roller bearings 842, 845, 852
 and customized bearings 191
 and NoWear coated bearings 1060
 and spherical roller bearings 780
 bearing selection example 222–227

peak loads 92–93, 104, 106

PEEK 188

performance 65–67

permanent deformation 86–87, 104, 106

PEX

cylindrical roller bearings 515
tapered roller bearings 675, 693

PH

angular contact ball bearings 390, 404
cylindrical roller bearings 502, 514
hybrid bearings 1046

PHA 502, 511, 514

PHAS 390–391, 402, 404

phosphate coating 1067

pinion bearings 669

pins

 in cam followers 964–965
 in cam rollers 936
 in support rollers 950

pin-type cages 25

pitch circle diameter 23

plain shafts 1066

plug-and-play 996, 997

plugs 968–969, 975

plummer block housings

 fits and tolerance classes 143
 heat dissipation 133

point contact 20

polyalkylene glycol 1007, 1009, 1010

polyalphaolefins 120–121

polyetheretherketone (PEEK). See PEEK
polyglycols 120–121
polymer cages 25, 188–189
popular items 82
position sensing 996
pour point 120–121
power generation plants 88
power loss. See frictional power loss

PPA

 cam followers 966, 976
 support rollers 946, 952

PPSK 966–967

PPSKA 971, 976

PPXA

 cam followers 966, 976
 support rollers 946, 952

precision

 and tolerance classes 187
 bearing selection considerations 81
 considerations when selecting fits 143

precision lock nuts

 designs and variants 1092, 1096–1097
 dimension standards 1098–1099
 installation and removal 1102
 loosening torque 1098–1099
 mating shaft threads 1098–1099
 product table 1114–1117
 tolerances 1098–1099

preload

 selecting preload 182–187
 with springs 186–187

preservative oils 118, 200

pressure centres

 considerations for preload 186
 in angular contact ball bearings 400
 in tapered roller bearings 681, 683–684

pressure-viscosity coefficient 120–121

protruding balls 446

PTFE

 and high temperature bearings 1008
 safety precautions 197

PTFE coating 778–779

pullers 202, 207, 208

pulling plates 208

pull-up resistors 991, 998

pumps

 bearing selection example 228–235
 specification life 88

push-out bolts 207

Q

QR 502, 515

quiet running 248

R

R

cylindrical roller bearings 514
deep groove ball bearings 247, 258
needle roller bearings 612
support rollers 945, 952
tapered roller bearings 692

R505 791

raceways

 bearing terminology 23
 for needle roller bearings 583–584, 586, 610
 on shafts and in housings 179, 903
radial internal clearance 182–185

- radial loads 21, 78–79
 - radial run-out. See run-out
 - radial shaft seals 195, 197
 - railway applications
 - and cylindrical roller bearings 493, 515
 - and spherical roller bearings 779, 780
 - specification life 89
 - rated viscosity 102
 - rating life 89
 - recesses 176
 - in capped deep groove ball bearings 242–244
 - in open deep groove ball bearings 241
 - reference speed 135
 - reliability 89–90
 - relubrication
 - continuous lubrication 120
 - intervals and adjustments 111–116
 - replenishment 114
 - relubrication-free
 - bearings with Solid Oil 1025
 - cylindrical roller bearings 501
 - high temperature bearings 1009–1010
 - replenishment
 - calculations 113
 - procedures 114
 - resultant fits 153
 - retaining rings
 - in spherical roller bearings 776
 - in cylindrical roller bearings 500–501
 - in deep groove ball bearings 243
 - retaining straps 512
 - RF** 342–343, 346, 365
 - rigid bearings 80
 - ring gauges
 - for needle roller bearings 598, 602
 - for tapered shaft seats 200
 - road rollers 779, 988
 - roller bearings
 - compared to ball bearings 20, 78, 79
 - designation system 30
 - roller encoder units 996
 - rollers 20
 - rolling contact fatigue 88–89
 - rolling contact permanent deformation. See permanent deformation
 - rolling frictional moment 132
 - rolling mills
 - and tapered roller bearings 671, 690
 - specification life 88
 - roll necks 780
 - rope sheaves
 - and cylindrical roller bearings 501
 - bearing selection example 222–227
 - rotating discs 196
 - rotating loads
 - conditions of rotation 142
 - equivalent mean load 92–93
 - rotating outer ring
 - and spherical roller bearings 778–779
 - housing tolerances 151
 - rotational speeds. See speeds
 - rotor positioning bearings 1000
 - rotor positioning sensor bearing units 998–999
 - rounding 55
 - roundness 147
 - RS**
 - cam followers 965, 967, 976
 - needle roller bearings 594–595, 612
 - spherical roller bearings 776, 790
 - support rollers 945–946, 952
 - RS1**
 - angular contact ball bearings 388, 404
 - cam rollers 933, 937
 - deep groove ball bearings 242–244, 258
 - insert bearings 346, 365
 - self-aligning ball bearings 439, 449
 - RS2** 244, 258
 - RS5** 776, 790
 - RSH** 242–244, 258
 - RSH2** 244, 258
 - RSL** 242–243, 258
 - RST** 242–243, 258
 - rubber seating rings. See seating rings
 - running accuracy 144
 - running in
 - of high temperature bearings 1014
 - with grease lubrication 113
 - running surfaces
 - in cam followers 964, 965, 972, 976
 - in cam rollers 932, 933, 934
 - in support rollers 944, 948, 952
 - run-out
 - bearing selection chart 73–74
 - of seats and abutments 144–145, 148–152
 - rust inhibitors
 - in grease 117
 - on adapter sleeves 1067
 - RZ**
 - angular contact ball bearings 388, 404
 - deep groove ball bearings 242–243, 258
- ## S
- S**
 - needle roller bearings 613
 - tapered roller bearings 674
 - S0**
 - deep groove ball bearings 259
 - hybrid bearings 1049
 - needle roller bearings 613
 - S1**
 - angular contact ball bearings 405
 - cylindrical roller bearings 515
 - deep groove ball bearings 259
 - needle roller bearings 613
 - S2**
 - cylindrical roller bearings 515
 - needle roller bearings 613
 - sensor bearing units 995
 - S3**
 - CARB toroidal roller bearings 855
 - needle roller bearings 613
 - safety precautions
 - for fluoro rubber (FKM) 197
 - for PTFE 197
 - when dismantling from a tapered seat 208
 - when dismantling hydraulic nuts 210
 - when handling bearings 200
 - salt water 126–127
 - SB** 364
 - seal counterfaces
 - accuracy requirements 197–198
 - inspection 213
 - sealed bearings
 - heating 203
 - suitable adapter sleeves 1069
 - suitable lock nuts 1091, 1095
 - washing 200
 - with Solid Oil 1025
 - sealing solutions
 - bearing selection considerations 82
 - counterfaces 197–198, 213
 - external sealing 194–197
 - integral sealing 26
 - selection criteria 195
 - sealing washers 196, 1008–1009
 - seating rings
 - for insert bearings 346–347, 351
 - for needle roller bearings 588, 608
 - seat washers 467–468, 470
 - bearing terminology 23
 - segmented cages 1007, 1009, 1014
 - self-aligning ball bearings 437–463
 - bearing selection chart 73–74
 - cages 442, 445
 - clearance reduction 447
 - contact angle 79
 - designation system 449
 - designs and variants 439–442
 - dimensional stability 81, 445
 - dimension standards 443
 - drive-up data 448
 - housings 447
 - internal clearance 443–444
 - loads 79, 445
 - lock nut tightening angle 448
 - lubrication 440–441, 445
 - misalignment 438, 443
 - mounting 201, 440, 446, 447–448
 - on an adapter sleeve 439, 446–447, 458–461
 - on a withdrawal sleeve 446–447
 - product tables 450–463
 - sealing solutions 439–441, 445
 - speeds 116, 446
 - suitable adapter sleeves 1069
 - suitable lock nuts 1095
 - temperature limits 445
 - tolerances 441, 443
 - with an extended inner ring 440–441, 446, 462–463
 - with protruding balls 446
 - with Solid Oil 1025, 1026
 - self-aligning bearings
 - bearing selection considerations 80
 - CARB toroidal roller bearings 841–875
 - self-aligning ball bearings 437–463
 - spherical roller bearings 773–839
 - spherical roller thrust bearings 913–929
 - sensor bearing units 987–1003
 - motor encoder units 988–995, 1002–1003
 - product table 1002–1003
 - roller encoder units 996
 - rotor positioning bearings 1000
 - rotor positioning sensor bearing units 998–999
 - steering encoder units 997–998
 - SensorMount
 - and CARB toroidal roller bearings 206, 855
 - and spherical roller bearings 206, 790
 - separable bearings
 - bearing selection chart 73–74
 - bearing selection considerations 82
 - dismounting 207
 - mounting 201
 - needle roller bearings 582, 587, 588, 591–592
 - spherical roller thrust bearings 914
 - support rollers 945
 - tapered roller bearings 668
 - thrust ball bearings 466
 - service life 89
 - set screws. See grub screws
 - shaft deflection 80
 - shafts
 - hollow shafts 146
 - terminology 22
 - shaft seats
 - accuracy requirements 144–145
 - hollow shafts 143
 - mounting/dismounting methods and tools 202
 - position and width of tolerance classes 141
 - tapered shafts 147
 - tolerances and resultant fits 154–165
 - tolerances for radial bearings 148–149
 - tolerances for sleeves 152
 - tolerances for thrust bearings 150
 - shaft speed detection 1000
 - shaft washers
 - in cylindrical roller thrust bearings 880, 882, 885
 - in needle roller thrust bearings 898, 903, 904
 - in spherical roller thrust bearings 914, 918, 920
 - in thrust ball bearings 466, 467–468, 470

- sheet metal cages 25, 188
- shelf life 57
- shields
 - heating 203
 - integral sealing 26
 - washing 200
- shock loads. See impact loads
- shoulder surfaces 23
- silicon nitride 1044
- sine bars 200
- sine wave control 998
- single direction bearings
 - cylindrical roller thrust bearings 879
 - thrust ball bearings 466, 467–468, 472–485
- single row angular contact ball bearings. See angular contact ball bearings
- single row cam rollers. See cam rollers
- single row cylindrical roller bearings. See cylindrical roller bearings
- single row deep groove ball bearings. See deep groove ball bearings
- single row tapered roller bearings. See tapered roller bearings
- SKF Bearing Calculator 63
- SKF Bearing Select 63
- SKF BEAST 62–63
- SKF ConCentra insert bearings
 - designs and variants 344
 - fits and tolerance classes 358–359
 - mounting 362–363
 - product table 376–377
- SKF Drive-up Method
 - for CARB toroidal roller bearings 853
 - for mounting bearings 202–203, 206
 - for self-aligning ball bearings 447
 - for spherical roller bearings 788
- SKF enveloped acceleration technology 211
- SKF Explorer bearings
 - angular contact ball bearings 387
 - CARB toroidal roller bearings 844
 - cylindrical roller bearings 502
 - deep groove ball bearings 248
 - hybrid bearings 1045
 - life calculations 91
 - overview 7
 - spherical roller bearings 775
 - spherical roller thrust bearings 915
 - tapered roller bearings 668, 675
- SKF greases
 - selection chart 124–125
 - technical specifications 126–127
- SKF life modification factor 94–99
- SKF LubeSelect 63
- SKF Quiet running deep groove ball bearings 248
- SKF rating life 89
- SKF SensorMount 190
- SKF SimPro Expert 62–63
- SKF SimPro Quick 62–63
- SKF traffic light concept 117–118
- SKF WAVE seals 244
- skidding 106
- sleeve mounting
 - bearing seat tolerances 152
 - for axial location 178–179
- sleeves
 - adapter sleeves 1065–1085
 - bearing selection considerations 82
 - for mounting cylindrical roller bearings 512
 - withdrawal sleeves 1087
- sliding frictional moment 132
- SM** 613
- small bearings
 - dismounting 207–210
 - mounting 201–203
 - size category 201
- smearing
 - and EP/AW additives 102
 - and minimum load 106
- and NoWear coated bearings 1060, 1062
- prevention with hybrid bearings 1044
- snap ring grooves
 - in angular contact ball bearings 386, 395, 404
 - in cylindrical roller bearings 498
 - in deep groove ball bearings 247, 310–315
- snap rings
 - for axial location 178
 - in angular contact ball bearings 386, 395, 404
 - in deep groove ball bearings 247, 310–315
- solid additives 118
- Solid Oil 1024
- Solid Oil bearings and units 1023–1027
 - assortment 1025
 - cages 1025, 1026
 - designation system 1027
 - designs and variants 1025
 - dimension standards 1025
 - features 1024
 - food-grade variant 1025
 - friction 1027
 - internal clearance 1025
 - loads 1026
 - lubrication 1024, 1025
 - mounting 1027
 - seals 1025
 - speeds 1026–1027
 - temperature limits 1026
 - tolerances 1025
 - with food-grade lubricant 1025
- SORT** 613
- space 77
- spacer rings 786, 1035, 1066
- spacing collars 179
- spalling
 - bearing life definition 88
 - time to failure 211
- specification life 88–89
- speed factor
 - calculating the viscosity ratio 102
 - limits for grease lubricated bearings 116
- Speedi-Sleeve 1008
- speeds
 - above the reference or limiting speed 136
 - adjusted reference speed 135
 - and tolerance classes 187
 - bearing selection chart 73–74
 - bearing selection considerations 79
 - effect on relubrication interval 112
 - limiting speed 135
 - ranges for grease lubricated bearings 116
 - reference speed 135
- speed sensing 996
- spherical roller bearings 773–839
 - abutment dimensions 786
 - assortment 775
 - axial location 786
 - bearing arrangements 70–75
 - bearing selection chart 73–74
 - cages 775–776
 - clearance reduction 205, 789
 - contact angle 79
 - designation system 790–791
 - designs and variants 775–779
 - dimensional stability 81, 785
 - dimension standards 781
 - drive-up data 789
 - for high-speed applications 780
 - for vibratory applications 778–779
 - for wind energy applications 780
 - free space 786
 - housings 788
 - internal clearance 781–783
 - in vertical shaft arrangements 788
 - loads 79, 774, 779, 784
 - lock nut tightening angle 789
 - lubrication 776–778, 785
 - misalignment 774, 780–781
 - mounting 204–206, 775, 787, 788–789
 - NoWear coated bearings 1061
 - on an adapter sleeve 784, 787, 824–831
 - on a withdrawal sleeve 787, 832–839
 - product tables 792–839
 - sealing solutions 776–778, 785, 786
 - SKF Explorer bearings 775
 - speeds 116, 785
 - suitable adapter sleeves 1069
 - suitable lock nuts 1095
 - temperature limits 777, 785
 - tolerances 780–781, 781
 - with a coated bore 778
 - with eye bolts 791
 - with Solid Oil 1025, 1026
- spherical roller thrust bearings 913–929
 - abutment dimensions 918
 - axial clearance 918
 - bearing selection chart 73–74
 - cages 915, 918, 919, 920
 - contact angle 79
 - designation system 921
 - designs and variants 915
 - dimensional stability 81, 918
 - dimension standards 916
 - in vertical shaft arrangements 916, 917, 919
 - loads 79, 914, 917, 918, 919
 - lubrication 917, 918, 919
 - misalignment 914, 916, 918
 - mounting 920
 - NoWear coated bearings 1061
 - product table 922–929
 - pumping effect 919
 - SKF Explorer bearings 915
 - speeds 914, 918, 919
 - temperature limits 918
 - tolerances 916
 - washers 914, 918
 - with a recessed housing bore 918
 - with eye bolts 921
- split cylindrical roller bearings 495
- split housings 143, 151
- split inner rings. See two-piece inner rings
- spring loading 186–187
- spring washers
 - for cam followers 975
 - for hybrid bearings 1048
- stainless steel bearings
 - deep groove ball bearings 316–327
 - hybrid bearings 1046
 - insert bearings 342, 345, 348–349
- stainless steel housings 362
- standby 207
- starting torque
 - calculations 133
 - technical specifications (SKF greases) 126–127
- start-stop 102, 106
- start-ups
 - and operating temperature 135, 184–185
 - effect on fits 143
 - grease selection chart (SKF greases) 124–125
 - monitoring temperature 206, 212
 - test running 206
- starvation effects 132
- static load rating. See basic static load rating
- static misalignment 80
- static safety factor 106–107
- stationary bearings 104
- stationary loads 142
- steady state 184
- steels
 - cage types 25, 188
 - for bearing components 24
 - steer-by-wire 997
 - steering encoder units 997–998
- stepped shafts 1066
- stepped sleeves 344, 363
- stiffness

bearing selection chart 73–74
 bearing selection considerations 81
 of greases 116
 storage 57
 straightness 147
 stray capacitance 1030
 strong back pullers 202
 studs. See cam followers
 sulphur-phosphorus 102
 super-precision bearings 81, 495
 Superseal. See AMP Superseal™
 support rollers 943–961
 axial gap 951
 cages 947, 950
 designation system 952–953
 designs and variants 945–947
 dimensional stability 950
 dimension standards 948
 internal clearance 948
 loads 949
 lubrication 933, 950
 mounting 951
 pins 950
 product tables 954–961
 running surface 944, 948, 952
 sealing solutions 945–947, 950, 952
 speeds 950
 support surfaces 951
 temperature limits 950
 tolerances 948
 with flange rings 944, 945–947, 951
 surface roughness
 of bearing seats 147–152
 of seal counterfaces 198
 surface treatment 27
 synchronous motors 998
 synthetic oils
 in bearings with Solid Oil 1024, 1025, 1027
 in oils 120–121
 SYSTEM 24 120
 SYSTEM MultiPoint 120

T

T

lock nuts and locking devices 1103
 tapered roller bearings 674, 692
 tandem arrangements
 with angular contact ball bearings 386, 400
 with deep groove ball bearings 249
 with tapered roller bearings 671, 681–682, 760–761
 tapered bores
 bearing selection chart 73–74
 bearing selection considerations 82
 bearings mounted on a cylindrical seat 1066
 fits and tolerance classes 149, 152
 tapered roller bearings 665–771
 adjustment during mounting 203, 687
 bearing arrangements 70, 76
 bearing selection chart 73–74
 cages 673–674, 685
 contact angle 79, 672–673, 672–674, 691
 designation system 691, 692–693
 designs and variants 669–675
 dimensional stability 81, 685
 dimension standards 676–677
 double row bearings 671, 671–674
 fits and tolerance classes 687–689
 four-row bearings 674
 friction 667–669
 inch bearings 676–678, 687–689, 691, 714–741
 INSOCOAT bearings 1031
 intermediate rings 672–673

internal clearance 676, 679
 loads 78–79, 666–668, 680–685
 lubrication 685
 markings 690
 matched bearings 670–671, 682–684, 687, 744–761
 misalignment 670, 676–677
 mounting 690
 preload 670–673, 676–677, 687
 product tables 694–771
 raceway profiles 667
 running-in 668
 sealing solutions 685
 SKF Explorer bearings 668, 675
 speeds 116, 686
 temperature limits 685
 tolerances 676–678
 with a flanged outer ring 670, 742–743
 with inch dimensions 714–740
 with Solid Oil 1025, 1026
 tapered roller bearing units 1031
 tapered seats
 bearing selection considerations 82
 mounting/dismounting methods and tools 202
 tolerances 147
 taper gauges 147, 200
 taper slope 147
 temperature
 and bearing storage 57
 dimensional stability 81
 limits for PA66 cages 189
 monitoring 206, 212
 operating temperature 130–135
 ranges for greases 116
 SKF traffic light concept 117–118
 temperature differences
 considerations when selecting fits 143
 effect on clearance reduction 184
 terminology 22–23
 testing 107
 test running 206–207
 textile equipment 341
 thermal equilibrium 131, 184
 thermal expansion
 calculation 850
 in bearing arrangements 70, 76
 with CARB toroidal roller bearings 842
 thermal speed limit 135
 thickeners
 compatibility chart 119
 grease selection chart (SKF greases) 124–125
 selecting a suitable grease 116–119
 threaded holes
 for dismantling bearings 176
 in bearing rings 190
 threaded rings
 adjustment during mounting 203
 for axial location 178
 threads
 for lock nuts 1098–1099
 on adapter sleeves 1070
 through-hardening 27
 thrust ball bearings 465–491
 ball and cage assemblies 467
 bearing selection chart 73–74
 cages 468, 470
 combined with a needle roller bearing 591–592, 596, 654–657
 designation system 471
 designs and variants 467–468
 dimensional stability 81, 470
 dimension standards 469
 double direction bearings 466, 467–468, 486–491
 fits 466
 loads 79, 466, 469
 lubrication 470
 misalignment 469

mounting 470
 NoWear coated bearings 1061
 product tables 472–491
 seat washers 467–468, 470
 single direction bearings 466, 467–468, 472–485
 speeds 116, 470
 temperature limits 470
 tolerances 469
 with sphered housing washers 466–468, 482–485, 490–491
 thrust collars. See angle rings
 tilting moments
 and angular contact ball bearings 386
 and cam rollers 932–933
 and cylindrical roller bearings 501
 and deep groove ball bearings 249
 and tapered roller bearings 670–672
TL 1069, 1071
TN
 cylindrical roller thrust bearings 881, 886
 deep groove ball bearings 258
 needle roller bearings 597, 612
 needle roller thrust bearings 899, 904
 support rollers 947, 952
TN9
 angular contact ball bearings 390, 404
 CARB toroidal roller bearings 845, 855
 deep groove ball bearings 248, 258
 hybrid bearings 1046
 self-aligning ball bearings 442, 449
 tapered roller bearings 674, 675, 692
TN9/VG1561 248, 258
TNH
 deep groove ball bearings 248, 258
 hybrid bearings 1046
 tapered roller bearings 675, 692
 tolerance classes
 for bearings 36
 position and width 141
 related to precision and speed 187
 tolerance grades 144–145
 tolerances 35–55
 and resultant fits (housings) 166–175
 and resultant fits (shafts) 154–165
 for housing seats 151–152
 for radial bearings 38–45
 for shaft seats 148–150
 for shafts (sleeve mounting) 152
 for tapered bores 47–48
 for tapered shaft seats 147
 for thrust bearings 46
 tolerance system 140–141
 tolerance symbols 49–51
 torque
 running 126–127
 starting 126–127, 133
 torus 842
TR 502, 515
 track rollers
 cam followers 964–985
 cam rollers 932–941
 support rollers 943–961
 track runner bearings. See cam rollers, support rollers and cam followers
 traction motor bearing units 1031
 traction motors
 and hybrid bearings 1046
 and sensor bearing units 1000
 tractors 988
 traffic light concept. See SKF traffic light concept
 transition fits 141
 transmission shafts 1000
 troubleshooting 213
 tunnelling machines 671
 two-piece inner rings
 in double row angular contact ball bearings 386, 404
 in four-point contact ball bearings 387

U

U

- insert bearings 365
- sensor bearing units 995
- tapered roller bearings 692
- unbalanced loads 92, 142
- unit conversion tables
 - for bearing life calculations 91
 - for general engineering 6
- units. See ball bearing units
- universally matchable bearings
 - adjustment 403
 - centrifugal pump example 228–235
 - designation system 404–405
 - designs and variants 385–386
 - internal clearance 392, 394
 - preload 392, 395
- universal washers
 - in cylindrical roller thrust bearings 880, 882
 - in needle roller thrust bearings 898, 900, 903, 904

V

V

- CARB toroidal roller bearings 855
- cylindrical roller bearings 514
- tapered roller bearings 674
- VO01** 693
- VA201** 1006, 1008–1009, 1010, 1014
- VA208** 1009, 1014
- VA228** 1009, 1010, 1014
- VA301** 515
- VA305** 515
- VA321** 693
- VA350** 515
- VA380** 515
- VA405** 778–779, 791
- VA406** 778, 791
- VA606** 693
- VA607** 693
- VA901** 693
- VA902** 693
- VA903** 693
- VA919** 693
- VA941** 693
- VA970** 1046, 1049
- VA991** 780, 791
- VA3091** 515
- vacuum applications
 - and hybrid bearings 1046
 - and NoWear coated bearings 1060
- variable loads
 - and spherical roller bearings 779
 - calculating bearing life 90
 - conditions of rotation 142
- VB022** 693
- VB026** 693
- VB061** 693
- VB134** 693
- VB406** 693
- VB481** 693
- VC025** 515
- VC027** 693
- VC068** 693
- VC444** 1049
- VE141** 693
- VE174** 693
- VE240** 855
- VE447(E)** 921
- VE495** 342, 365

- VE552(E)** 791
- VE553(E)** 791
- VE710(E)** 921
- VE901** 515
- vector control 998
- vertical shaft arrangements
 - and oil lubrication 123
 - effect on relubrication interval 115
 - grease selection chart (SKF greases) 124–125
 - with CARB toroidal roller bearings 853
 - with spherical roller bearings 788
 - with spherical roller thrust bearings 916, 917, 919
- VG052** 613
- VG114**
 - CARB toroidal roller bearings 855
 - spherical roller bearings 791
- VG1561**. See TN9/VG1561
- VGS** 593, 612
- VH** 514
- vibrating screens
 - and spherical roller bearings 779
 - bearing selection example 216–221
- vibration
 - and bearing storage 57
 - and CARB toroidal roller bearings 842–843
 - and insert bearings 340, 344, 347
 - and NoWear coated bearings 1060, 1061
 - and spherical roller bearings 778–779
 - effect on relubrication interval 115
 - grease selection chart (SKF greases) 124–125
 - monitoring 206, 211
 - prevention with preloading 187
 - protection with hybrid bearings 1044
 - under various load conditions 143
- viscosity
 - calculating the viscosity ratio 102–103
 - of oils 120
 - of SKF greases 124–125, 126–127
- viscosity grades
 - ISO classification 103
 - viscosity-temperature diagram 100
- viscosity index 100, 120–121
- viscosity ratio 94, 102
- viscous losses 132
- VL065** 343, 365
- VL0241** 1031–1032, 1035
- VL0246** 1031–1032, 1035
- VL2071** 1032, 1035
- VL2076** 1032, 1035
- VM118** 855
- VP076** 346, 365
- VP274** 345, 365
- VP311** 244, 259
- VQ015** 515
- VQ051** 693
- VQ117** 693
- VQ267** 693
- VQ424** 791
- VQ492** 693
- VQ494** 693
- VQ495** 693
- VQ506** 693
- VQ507** 693
- VQ523** 693
- VQ601** 693
- VQ658** 248, 259
- V-ring seals 198
- VT113** 389, 405
- VT143**
 - CARB toroidal roller bearings 845, 855
 - spherical roller bearings 776–777, 791
- VT143B** 791
- VT143C** 791
- VT307** 348
- VT378** 244, 259
- VU029** 918, 921

W

W

- deep groove ball bearings 258
- high temperature bearings 1010, 1014
- insert bearings 342–344, 349, 365
- spherical roller bearings 776, 791
- tapered roller bearings 674, 692
- W20** 776, 791
- W26** 791
- W33**
 - cylindrical roller bearings 515
 - spherical roller bearings 776, 791
- W33X** 791
- W64**
 - and bearings with Solid Oil 1025, 1027
 - self-aligning ball bearings 449
 - spherical roller bearings 791
- W64F** 1025, 1027
- W77** 791
- W513** 791
- washers. See bearing washers
- washing
 - capped bearings 200
 - new bearings 200
- washout
 - and bearings with Solid Oil 1024
 - technical specifications (SKF greases) 126–127
- water
 - and deep groove ball bearings 242
 - corrosion protection with grease 117
 - effect on oils 120–121
 - effect on Solid Oil 1024
 - resistance test (SKF greases) 126–127
- WAVE seals. See SKF WAVE seals
- wave springs 186
- WBB1** 258
- wear
 - and hybrid bearings 1044, 1046
 - and NoWear coated bearings 1060–1063
 - technical specifications (SKF greases) 126–127
 - time to failure 211
 - under various load conditions 142
- wet contamination 1024
- white spirit 118
- WI** 674
- wind energy applications
 - and cylindrical roller bearings 498
 - and spherical roller bearings 780
 - and XL hybrid bearings 1046, 1049
 - grease selection chart (SKF greases) 124–125
 - specification life 88
- withdrawal sleeves 1087
 - bearing seat tolerances 152
 - bearing selection considerations 82
 - dismounting methods and tools 202, 210
 - for axial location 178–179
 - for CARB toroidal roller bearings 852–853, 872–875
 - for self-aligning ball bearings 446–447
 - for spherical roller bearings 787, 832–839
 - mounting methods and tools 202–204
- withdrawal tools 176
- WO** 674
- woodworking machines 88
- wrist pins. See gudgeon pins
- WS**
 - cylindrical roller thrust bearings 880, 882, 886
 - needle roller thrust bearings 898, 904
- WT**
 - angular contact ball bearings 389, 405
 - deep groove ball bearings 244–245, 259
 - hybrid bearings 1046

X

X

cam followers 965, 976
deep groove ball bearings 250, 258
support rollers 945, 952
tapered roller bearings 692
XA 976
XD 674
XL hybrid bearings 1046, 1048, 1054–1055

Y

Y

angular contact ball bearings 390, 404
tapered roller bearings 674
Y2 674
Y-bearings. See insert bearings
Y-bearing units. See ball bearing units

Z

Z

angular contact ball bearings 388, 404
cam rollers 933, 937
deep groove ball bearings 242–243, 258
high temperature bearings 1007, 1008–1009,
1014
needle roller bearings 590–592, 595, 596, 612
tapered roller bearings 674

ZE

CARB toroidal roller bearings 855
spherical roller bearings 790

zinc chromate coating

and other coatings 27
on ball bearing units 1007
on hybrid bearings 1046

zinc coating 342, 343, 348

ZL 947, 952

ZNBR 247, 258

ZNR 247, 258

ZS 242–243, 258

ZW 583, 612

Product index

10..

303..

Designation	Product	Product table		Designation	Product	Product table	
		No.	Page*			No.	Page*
10..	Self-aligning ball bearings	4.1	450	229750 J/C3R505	Spherical roller bearings	9.1	792
111..	Inch single row tapered roller bearings	8.2	714	23..	Self-aligning ball bearings	4.1	450
115..	Inch single row tapered roller bearings	8.2	714	230..	Spherical roller bearings	9.1	792
12..	Self-aligning ball bearings	4.1	450	231..	Spherical roller bearings	9.1	792
13..	Self-aligning ball bearings	4.1	450	232..	Spherical roller bearings	9.1	792
130..	Self-aligning ball bearings	4.1	450	236..	Inch single row tapered roller bearings	8.2	714
1380..	Inch single row tapered roller bearings	8.2	714	238..	Spherical roller bearings	9.1	792
139..	Self-aligning ball bearings	4.1	450	239..	Spherical roller bearings	9.1	792
141..	Inch single row tapered roller bearings	8.2	714	240..	Spherical roller bearings	9.1	792
151..	Inch single row tapered roller bearings	8.2	714	241..	Spherical roller bearings	9.1	792
155..	Inch single row tapered roller bearings	8.2	714	247..	Inch single row tapered roller bearings	8.2	714
160..	Single row deep groove ball bearings	1.1	260	248..	Spherical roller bearings	9.1	792
16150/..	Inch single row tapered roller bearings	8.2	714	249..	Spherical roller bearings	9.1	792
17262..-2RS1	Insert bearings with a standard inner ring, metric shafts	2.9	380	255..	Inch single row tapered roller bearings	8.2	714
17263..-2RS1	Insert bearings with a standard inner ring, metric shafts	2.9	380	258..	Inch single row tapered roller bearings	8.2	714
185..	Inch single row tapered roller bearings	8.2	714	278..	Inch single row tapered roller bearings	8.2	714
186..	Inch single row tapered roller bearings	8.2	714	292..	Spherical roller thrust bearings	13.1	922
187..	Inch single row tapered roller bearings	8.2	714	293..	Spherical roller thrust bearings	13.1	922
198..	Inch single row tapered roller bearings	8.2	714	294..	Spherical roller thrust bearings	13.1	922
2..	Single row deep groove ball bearings with filling slots	1.5	328	296..	Inch single row tapered roller bearings	8.2	714
2.. NR	Single row deep groove ball bearings with filling slots, a snap ring groove and a snap ring	1.5	328	3..	Single row deep groove ball bearings with filling slots	1.5	328
2..-ZZ	Shielded single row deep groove ball bearings with filling slots	1.5	328	3.. NR	Single row deep groove ball bearings with filling slots, a snap ring groove and a snap ring	1.5	328
2..-ZZNR	Shielded single row deep groove ball bearings with filling slots, a snap ring groove and a snap ring	1.5	328	3..-ZZ	Shielded single row deep groove ball bearings with filling slots	1.5	328
2..-Z	Shielded single row deep groove ball bearings with filling slots	1.5	328	3..-ZZNR	Shielded single row deep groove ball bearings with filling slots, a snap ring groove and a snap ring	1.5	328
2..-ZNR	Shielded single row deep groove ball bearings with filling slots, a snap ring groove and a snap ring	1.5	328	3..-Z	Shielded single row deep groove ball bearings with filling slots	1.5	328
213..	Spherical roller bearings	9.1	792	3..-ZNR	Shielded single row deep groove ball bearings with filling slots, a snap ring groove and a snap ring	1.5	328
22..	Self-aligning ball bearings	4.1	450	302..	Metric single row tapered roller bearings	8.1	694
222..	Spherical roller bearings	9.1	792	302../DB	Matched tapered roller bearings arranged back-to-back	8.5	754
223..	Spherical roller bearings	9.1	792	302../DF	Matched tapered roller bearings arranged face-to-face	8.4	745
				30208 R	Single row tapered roller bearings with a flanged outer ring	8.3	742
				303..	Metric single row tapered roller bearings	8.1	694

* Starting page of the product table.

Designation	Product	Product table		Designation	Product	Product table	
		No.	Page*			No.	Page*
303.. R	Single row tapered roller bearings with a flanged outer ring	8.3	742	330../DF	Matched tapered roller bearings arranged face-to-face	8.4	745
303../DB	Matched tapered roller bearings arranged back-to-back	8.5	754	331..	Metric single row tapered roller bearings	8.1	694
303../DF	Matched tapered roller bearings arranged face-to-face	8.4	745	331../DB	Matched tapered roller bearings arranged back-to-back	8.5	754
3057.. C-2Z	Double row cam rollers	14.2	940	331../DF	Matched tapered roller bearings arranged face-to-face	8.4	745
3058.. C-2Z	Double row cam rollers	14.2	940	33113 R	Single row tapered roller bearings with a flanged outer ring	8.3	742
313..	Metric single row tapered roller bearings	8.1	694	331158 A	Double row tapered roller bearings, TDI design	8.8	766
313.. X/DB	Matched tapered roller bearings arranged back-to-back	8.5	754	331197 A	Double row tapered roller bearings, TDO design	8.7	762
313../DB	Matched tapered roller bearings arranged back-to-back	8.5	754	331445	Double row tapered roller bearings, TDI design	8.8	766
313../DF	Matched tapered roller bearings arranged face-to-face	8.4	745	331527 C	Double row tapered roller bearings, TDI design	8.8	766
3194.. B-2LS	Sealed double row full complement cylindrical roller bearings	6.5	576	331606 A	Double row tapered roller bearings, TDO design	8.7	762
32.. A	Double row angular contact ball bearings	3.2	424	331617	Double row tapered roller bearings, TDI design	8.8	766
32.. A-2RS1	Sealed double row angular contact ball bearings	3.3	428	331656	Double row tapered roller bearings, TDO design	8.7	762
32.. A-2Z	Shielded double row angular contact ball bearings	3.3	428	331713 A	Double row tapered roller bearings, TDI design	8.8	766
320.. X/DB	Matched tapered roller bearings arranged back-to-back	8.5	754	331713 B	Double row tapered roller bearings, TDI design	8.8	766
320.. X/DF	Matched tapered roller bearings arranged face-to-face	8.4	745	331714 B	Double row tapered roller bearings, TDI design	8.8	766
32008 XR	Single row tapered roller bearings with a flanged outer ring	8.3	742	331775 B	Double row tapered roller bearings, TDO design	8.7	762
322..	Metric single row tapered roller bearings	8.1	694	331945	Double row tapered roller bearings, TDO design	8.7	762
322.. B	Metric single row tapered roller bearings with a steep contact angle	8.1	694	331951	Double row tapered roller bearings, TDI design	8.8	766
322../DB	Matched tapered roller bearings arranged back-to-back	8.5	754	331981	Double row tapered roller bearings, TDO design	8.7	762
322../DF	Matched tapered roller bearings arranged face-to-face	8.4	745	332..	Metric single row tapered roller bearings	8.1	694
323..	Metric single row tapered roller bearings	8.1	694	332../DB	Matched tapered roller bearings arranged back-to-back	8.5	754
323.. B	Metric single row tapered roller bearings with a steep contact angle	8.1	694	332../DF	Matched tapered roller bearings arranged face-to-face	8.4	745
323.. BR	Single row tapered roller bearings with a flanged outer ring	8.3	742	332068	Double row tapered roller bearings, TDI design	8.8	766
323../DF	Matched tapered roller bearings arranged face-to-face	8.4	745	332168	Double row tapered roller bearings, TDI design	8.8	766
32311 BR	Single row tapered roller bearings with a flanged outer ring	8.3	742	332169 A	Double row tapered roller bearings, TDI design	8.8	766
32317T132/DB	Matched tapered roller bearings arranged back-to-back	8.5	754	332169 AA	Double row tapered roller bearings, TDI design	8.8	766
329..	Metric single row tapered roller bearings	8.1	694	332240 A	Double row tapered roller bearings, TDI design	8.8	766
329../DB	Matched tapered roller bearings arranged back-to-back	8.5	754	33281/..	Inch single row tapered roller bearings	8.2	714
329../DF	Matched tapered roller bearings arranged face-to-face	8.4	745	33287/..	Inch single row tapered roller bearings	8.2	714
33.. A	Double row angular contact ball bearings	3.2	424	338..	Inch single row tapered roller bearings	8.2	714
33.. A-2RS1	Sealed double row angular contact ball bearings	3.3	428	34..	Inch single row tapered roller bearings	8.2	714
33.. A-2Z	Shielded double row angular contact ball bearings	3.3	428	358..	Inch single row tapered roller bearings	8.2	714
33.. D	Double row angular contact ball bearings with a two-piece inner ring	3.2	424	359..	Inch single row tapered roller bearings	8.2	714
33.. DNR	Double row angular contact ball bearings with a two-piece inner ring, a snap ring groove and a snap ring in the outer ring	3.2	424	3612.. R	Single row cam rollers	14.1	938
330..	Metric single row tapered roller bearings	8.1	694	368..	Inch single row tapered roller bearings	8.2	714
330../DB	Matched tapered roller bearings arranged back-to-back	8.5	754	369..	Inch single row tapered roller bearings	8.2	714

* Starting page of the product table.

Designation	Product	Product table		Designation	Product	Product table	
		No.	Page*			No.	Page*
37..	Inch single row tapered roller bearings	8.2	714	60.. NR	Single row deep groove ball bearings with a snap ring groove and a snap ring	1.3	310
38..	Inch single row tapered roller bearings	8.2	714	60../HC5	Hybrid single row deep groove ball bearings	21.1	1050
39..	Inch single row tapered roller bearings	8.2	714	60../VA201	Single row deep groove ball bearings for high temperature applications	18.1	1016
418..	Inch single row tapered roller bearings	8.2	714	60..-2RS1	Sealed single row deep groove ball bearings	1.1	260
42.. A	Double row deep groove ball bearings	1.6	334	60..-2RSH	Sealed single row deep groove ball bearings	1.1	260
426..	Inch single row tapered roller bearings	8.2	714	60..-2RSL	Sealed single row deep groove ball bearings	1.1	260
43.. A	Double row deep groove ball bearings	1.6	334	60..-2RSL/HC5	Sealed hybrid single row deep groove ball bearings	21.1	1050
458..	Inch single row tapered roller bearings	8.2	714	60..-2RZ	Sealed single row deep groove ball bearings	1.1	260
462..	Inch single row tapered roller bearings	8.2	714	60..-2RZ/HC5	Sealed hybrid single row deep groove ball bearings	21.1	1050
47487/..	Inch single row tapered roller bearings	8.2	714	60..-2Z	Shielded single row deep groove ball bearings	1.1	260
47678/..	Inch single row tapered roller bearings	8.2	714	60..-2Z/VA201	Shielded single row deep groove ball bearings for high temperature applications	18.1	1016
4789..	Inch single row tapered roller bearings	8.2	714	60..-2Z/VA208	Shielded single row deep groove ball bearings for high temperature applications	18.1	1016
482..	Inch single row tapered roller bearings	8.2	714	60..-2ZNR	Shielded single row deep groove ball bearings with a snap ring groove and a snap ring	1.3	310
497/..	Inch single row tapered roller bearings	8.2	714	60..-RS1	Sealed single row deep groove ball bearings	1.1	260
511..	Single direction thrust ball bearings	5.1	472	60..-RSH	Sealed single row deep groove ball bearings	1.1	260
512..	Single direction thrust ball bearings	5.1	472	60..-RSL	Sealed single row deep groove ball bearings	1.1	260
513..	Single direction thrust ball bearings	5.1	472	60..-RZ	Sealed single row deep groove ball bearings	1.1	260
514..	Single direction thrust ball bearings	5.1	472	60..-Z	Shielded single row deep groove ball bearings	1.1	260
522..	Double direction thrust ball bearings	5.3	486	60..-ZNR	Shielded single row deep groove ball bearings with a snap ring groove and a snap ring	1.3	310
523..	Double direction thrust ball bearings	5.3	486	617479 B	Double row tapered roller bearings, TDO design	8.7	762
524..	Double direction thrust ball bearings	5.3	486	618..	Single row deep groove ball bearings	1.1	260
526/..	Inch single row tapered roller bearings	8.2	714	619..	Single row deep groove ball bearings	1.1	260
528 R/..	Inch single row tapered roller bearings	8.2	714	62..	Single row deep groove ball bearings	1.1	260
53178/..	Inch single row tapered roller bearings	8.2	714	62.. N	Single row deep groove ball bearings with a snap ring groove	1.3	310
532..	Single direction thrust ball bearings with a sphered housing washer	5.2	482	62.. NR	Single row deep groove ball bearings with a snap ring groove and a snap ring	1.3	310
533..	Single direction thrust ball bearings with a sphered housing washer	5.2	482	62../C3VL0241	INSOCOAT single row deep groove ball bearings	20.1	1036
534..	Single direction thrust ball bearings with a sphered housing washer	5.2	482	62../C3VL2071	INSOCOAT single row deep groove ball bearings	20.1	1036
535/..	Inch single row tapered roller bearings	8.2	714	62../HC5	Hybrid single row deep groove ball bearings	21.1	1050
537/..	Inch single row tapered roller bearings	8.2	714	62../VA201	Single row deep groove ball bearings for high temperature applications	18.1	1016
539/..	Inch single row tapered roller bearings	8.2	714	62..-2RS1	Sealed single row deep groove ball bearings	1.1	260
542..	Double direction thrust ball bearings with sphered housing washers	5.4	490	62..-2RSH	Sealed single row deep groove ball bearings	1.1	260
543..	Double direction thrust ball bearings with sphered housing washers	5.4	490	62..-2RSL	Sealed single row deep groove ball bearings	1.1	260
544..	Double direction thrust ball bearings with sphered housing washers	5.4	490	62..-2RSL/HC5	Sealed hybrid single row deep groove ball bearings	21.1	1050
544091/..	Inch single row tapered roller bearings	8.2	714	62..-2RZ/HC5	Sealed hybrid single row deep groove ball bearings	21.1	1050
56..	Inch single row tapered roller bearings	8.2	714				
575/..	Inch single row tapered roller bearings	8.2	714				
580/..	Inch single row tapered roller bearings	8.2	714				
59..	Inch single row tapered roller bearings	8.2	714				
60..	Single row deep groove ball bearings	1.1	260				
60.. N	Single row deep groove ball bearings with a snap ring groove	1.3	310				

* Starting page of the product table.

Designation	Product	Product table		Designation	Product	Product table	
		No.	Page*			No.	Page*
62..-ZZ	Shielded single row deep groove ball bearings	1.1	260	63..-ZNR	Shielded single row deep groove ball bearings with a snap ring groove and a snap ring	1.3	310
62..-ZZ/VA201	Shielded single row deep groove ball bearings for high temperature applications	18.1	1016	6379/K-6320	Inch single row tapered roller bearings	8.2	714
62..-ZZ/VA228	Shielded single row deep groove ball bearings for high temperature applications	18.1	1016	6386/K-6320	Inch single row tapered roller bearings	8.2	714
62..-ZZNR	Shielded single row deep groove ball bearings with a snap ring groove and a snap ring	1.3	310	6391/K-6320	Inch single row tapered roller bearings	8.2	714
62..-RSH	Sealed single row deep groove ball bearings	1.1	260	64..	Single row deep groove ball bearings	1.1	260
62..-RSL	Sealed single row deep groove ball bearings	1.1	260	64.. N	Single row deep groove ball bearings with a snap ring groove	1.3	310
62..-Z	Shielded single row deep groove ball bearings	1.1	260	64.. NR	Single row deep groove ball bearings with a snap ring groove and a snap ring	1.3	310
62..-ZNR	Shielded single row deep groove ball bearings with a snap ring groove and a snap ring	1.3	310	64432/64708	Inch single row tapered roller bearings	8.2	714
63..	Single row deep groove ball bearings	1.1	260	64450/64700	Inch single row tapered roller bearings	8.2	714
63..	Single row deep groove ball bearings	1.1	260	65..	Inch single row tapered roller bearings	8.2	714
63.. N	Single row deep groove ball bearings with a snap ring groove	1.3	310	66..	Inch single row tapered roller bearings	8.2	714
63.. NR	Single row deep groove ball bearings with a snap ring groove and a snap ring	1.3	310	67..	Inch single row tapered roller bearings	8.2	714
63../C3VL0241	INSOCOAT single row deep groove ball bearings	20.1	1036	68..	Inch single row tapered roller bearings	8.2	714
63../C3VL2071	INSOCOAT single row deep groove ball bearings	20.1	1036	70.. B	Single row angular contact ball bearings	3.1	310
63../HC5	Hybrid single row deep groove ball bearings	21.1	1050	72.. AC	Single row angular contact ball bearings	3.1	310
63../HC5C3S0VA970	XL hybrid single row deep groove ball bearings	21.1	1050	72.. B	Single row angular contact ball bearings	3.1	310
63../VA201	Single row deep groove ball bearings for high temperature applications	18.1	1016	72.. BE-2RZ	Sealed single row angular contact ball bearings	3.1	310
63..-2RS1	Sealed single row deep groove ball bearings	1.1	260	72212/..	Inch single row tapered roller bearings	8.2	714
63..-2RSH	Sealed single row deep groove ball bearings	1.1	260	73.. AC	Single row angular contact ball bearings	3.1	310
63..-2RSL	Sealed single row deep groove ball bearings	1.1	260	73.. B	Single row angular contact ball bearings	3.1	310
63..-2RSL/HC5	Sealed hybrid single row deep groove ball bearings	21.1	1050	73.. BE-2RZ	Sealed single row angular contact ball bearings	3.1	310
63..-2RZ	Sealed single row deep groove ball bearings	1.1	260	749 A/..	Inch single row tapered roller bearings	8.2	714
63..-ZZ	Shielded single row deep groove ball bearings	1.1	260	798/..	Inch single row tapered roller bearings	8.2	714
63..-ZZ	Shielded single row deep groove ball bearings	1.1	260	811..	Cylindrical roller thrust bearings	11.1	888
63..-ZZ/VA201	Shielded single row deep groove ball bearings for high temperature applications	18.1	1016	812..	Cylindrical roller thrust bearings	11.1	888
63..-ZZ/VA208	Shielded single row deep groove ball bearings for high temperature applications	18.1	1016	877..	Inch single row tapered roller bearings	8.2	714
63..-ZZ/VA228	Shielded single row deep groove ball bearings for high temperature applications	18.1	1016	893..	Cylindrical roller thrust bearings	11.1	888
63..-ZZNR	Shielded single row deep groove ball bearings with a snap ring groove and a snap ring	1.3	310	894..	Cylindrical roller thrust bearings	11.1	888
63..-RSH	Sealed single row deep groove ball bearings	1.1	260	898/..	Inch single row tapered roller bearings	8.2	714
63..-RSL	Sealed single row deep groove ball bearings	1.1	260	90381/..	Inch single row tapered roller bearings	8.2	714
63..-RZ	Sealed single row deep groove ball bearings	1.1	260	9285/..	Inch single row tapered roller bearings	8.2	714
63..-Z	Shielded single row deep groove ball bearings	1.1	260	938/..	Inch single row tapered roller bearings	8.2	714
				94700/..	Inch single row tapered roller bearings	8.2	714
				95525/..	Inch single row tapered roller bearings	8.2	714
				A 4059/..	Inch single row tapered roller bearings	8.2	714
				AS ..	Thin universal washers for needle roller and cage thrust assemblies	12.1	906
				AS ..	Thin universal washers for needle roller and cage thrust assemblies with a centring flange	12.2	910

* Starting page of the product table.

Designation	Product	Product table		Designation	Product	Product table	
		No.	Page*			No.	Page*
AXK ..	Needle roller and cage thrust assemblies	12.1	906	BT2B 332603/HA1	Double row tapered roller bearings, TDO design	8.7	762
AXW ..	Needle roller and cage thrust assemblies with a centring flange	12.2	910	BT2B 332604/HA1	Double row tapered roller bearings, TDO design	8.7	762
BA..	Single direction thrust ball bearings	5.1	472	BT2B 332683/HA1	Double row tapered roller bearings, TDI design	8.8	766
BMB-62..	Motor encoder units	17.1	1002	BT2B 332685/HA1	Double row tapered roller bearings, TDI design	8.8	766
BMD-62..	Motor encoder units	17.1	1002	BT2B 332754	Double row tapered roller bearings, TDO design	8.7	762
BMO-62..	Motor encoder units	17.1	1002	BT2B 332767 A	Double row tapered roller bearings, TDO design	8.7	766
BS2-22../VT143	Sealed spherical roller bearings	9.1	792	BT2B 332802 A	Double row tapered roller bearings, TDO design	8.7	762
BS2-23../VT143	Sealed spherical roller bearings	9.1	792	BT2B 332830	Double row tapered roller bearings, TDO design	8.7	762
BT2-8000/HA3	Double row tapered roller bearings, TDI design	8.8	766	BT2B 332831	Double row tapered roller bearings, TDO design	8.7	762
BT2-8009/HA3	Double row tapered roller bearings, TDI design	8.8	766	BT2B 332845/HA2	Double row tapered roller bearings, TDO design	8.7	762
BT2-8010/ HA3VA901	Double row tapered roller bearings, TDI design	8.8	766	BT2B 332913/HB1	Double row tapered roller bearings, TDI design	8.8	766
BT2B ..	Double row tapered roller bearings, TDO design	8.7	762	BT2B 332931	Double row tapered roller bearings, TDI design	8.8	766
BT2B 328130	Double row tapered roller bearings, TDO design	8.7	762	BT2B 334013/HA1	Double row tapered roller bearings, TDI design	8.8	766
BT2B 328283/HA1	Double row tapered roller bearings, TDI design	8.8	766	BT2B 334087/HA3	Double row tapered roller bearings, TDI design	8.8	766
BT2B 328383/HA1	Double row tapered roller bearings, TDO design	8.7	762	C 22..	CARB toroidal roller bearings	10.1	856
BT2B 328389	Double row tapered roller bearings, TDO design	8.7	762	C 23..	CARB toroidal roller bearings	10.1	856
BT2B 328410 C/HA1	Double row tapered roller bearings, TDI design	8.8	766	C 30..	CARB toroidal roller bearings	10.1	856
BT2B 328466/HA1	Double row tapered roller bearings, TDI design	8.8	766	C 31..	CARB toroidal roller bearings	10.1	856
BT2B 328523/HA1	Double row tapered roller bearings, TDI design	8.8	766	C 32..	CARB toroidal roller bearings	10.1	856
BT2B 328580/HA1	Double row tapered roller bearings, TDI design	8.8	766	C 39..	CARB toroidal roller bearings	10.1	856
BT2B 328615	Double row tapered roller bearings, TDO design	8.7	762	C 40..	CARB toroidal roller bearings	10.1	856
BT2B 328695 A/HA1	Double row tapered roller bearings, TDI design	8.8	766	C 41..	CARB toroidal roller bearings	10.1	856
BT2B 328699 G/HA1	Double row tapered roller bearings, TDI design	8.8	766	C 49..	CARB toroidal roller bearings	10.1	856
BT2B 328705/HA1	Double row tapered roller bearings, TDI design	8.8	766	C 5020 V	CARB toroidal roller bearings	10.1	856
BT2B 328874/HA1	Double row tapered roller bearings, TDI design	8.8	766	C 59..	CARB toroidal roller bearings	10.1	856
BT2B 328896/HA3	Double row tapered roller bearings, TDI design	8.8	766	C 6006 V	CARB toroidal roller bearings	10.1	856
BT2B 328934/HA3	Double row tapered roller bearings, TDI design	8.8	766	C 69.. V	CARB toroidal roller bearings	10.1	856
BT2B 328957	Double row tapered roller bearings, TDO design	8.7	762	GS 811..	Housing washers for cylindrical roller thrust bearings	11.1	888
BT2B 331782	Double row tapered roller bearings, TDO design	8.7	762	GS 811..	Housing washers for needle roller and cage thrust assemblies	12.1	906
BT2B 331836	Double row tapered roller bearings, TDI design	8.8	766	GS 812..	Housing washers for cylindrical roller thrust bearings	11.1	888
BT2B 331837	Double row tapered roller bearings, TDI design	8.8	766	GS 893..	Housing washers for cylindrical roller thrust bearings	11.1	888
BT2B 331840 C/HA1	Double row tapered roller bearings, TDI design	8.8	766	GS 894..	Housing washers for cylindrical roller thrust bearings	11.1	888
BT2B 332237 A/HA1	Double row tapered roller bearings, TDO design	8.7	762	H 2..	Adapter sleeves, metric shafts	23.1	1072
BT2B 332468 A/HA1	Double row tapered roller bearings, TDI design	8.8	766	H 23..	Adapter sleeves, metric shafts	23.1	1072
BT2B 332504/HA2	Double row tapered roller bearings, TDO design	8.7	762	H 242649/..	Inch single row tapered roller bearings	8.2	714
BT2B 332505/HA2	Double row tapered roller bearings, TDO design	8.7	762	H 3..	Adapter sleeves, metric shafts	23.1	1072
BT2B 332506/HA2	Double row tapered roller bearings, TDO design	8.7	762	H 30..	Adapter sleeves, metric shafts	23.1	1072
BT2B 332516 A/HA1	Double row tapered roller bearings, TDO design	8.7	762	H 31..	Adapter sleeves, metric shafts	23.1	1072
BT2B 332536/HA1	Double row tapered roller bearings, TDI design	8.8	766	H 715345/..	Inch single row tapered roller bearings	8.2	714
				HH ..	Inch single row tapered roller bearings	8.2	714
				HJ 10..	Angle rings for single row cylindrical roller bearings	6.1	516
				HJ 2..	Angle rings for single row cylindrical roller bearings	6.1	516
				HJ 22..	Angle rings for single row cylindrical roller bearings	6.1	516
				HJ 23..	Angle rings for single row cylindrical roller bearings	6.1	516
				HJ 3..	Angle rings for single row cylindrical roller bearings	6.1	516

* Starting page of the product table.

Designation	Product	Product table		Designation	Product	Product table	
		No.	Page*			No.	Page*
HJ 4..	Angle rings for single row cylindrical roller bearings	6.1	516	LS ..	Universal washers for needle roller and cage thrust assemblies	12.1	906
HK ...	Drawn cup needle roller bearings with open ends	7.2	618	LS ..	Universal washers for needle roller and cage thrust assemblies with a centring flange	12.2	910
HM ..	Inch single row tapered roller bearings	8.2	714	M 126..	Inch single row tapered roller bearings	8.2	714
HM .. T	Lock nuts	25.1	1104	M 23..	Inch single row tapered roller bearings	8.2	714
HM 30..	Lock nuts	25.3	1108	M 24..	Inch single row tapered roller bearings	8.2	714
HM 31..	Lock nuts	25.3	1108	M 336..	Inch single row tapered roller bearings	8.2	714
ICOS-D1B..	ICOS oil sealed bearing units	1.2	293	M 349..	Inch single row tapered roller bearings	8.2	714
IR ..	Needle roller bearing inner rings	7.11	660	M 802..	Inch single row tapered roller bearings	8.2	714
JH 4156..	Metric single row tapered roller bearings	8.1	694	M 845..	Inch single row tapered roller bearings	8.2	714
JL 267..	Metric single row tapered roller bearings	8.1	694	M 866..	Inch single row tapered roller bearings	8.2	714
JL 693..	Metric single row tapered roller bearings	8.1	694	M 880..	Inch single row tapered roller bearings	8.2	714
JLM 1049..	Metric single row tapered roller bearings	8.1	694	MB ..	Lock washers	25.2	1106
JLM 5087..	Metric single row tapered roller bearings	8.1	694	MB .. A	Lock washers	25.2	1106
JLM 7109..	Metric single row tapered roller bearings	8.1	694	MBL ..	Lock washers	25.2	1106
JM 2051..	Metric single row tapered roller bearings	8.1	694	MS 30..	Locking clips	25.4	1110
JM 5119..	Metric single row tapered roller bearings	8.1	694	MS 31..	Locking clips	25.4	1110
JM 7142..	Metric single row tapered roller bearings	8.1	694	N 2..	Single row cylindrical roller bearings	6.1	516
JM 7166..	Metric single row tapered roller bearings	8.1	694	N 3..	Single row cylindrical roller bearings	6.1	516
JM 7181..	Metric single row tapered roller bearings	8.1	694	NA 22...2RS	Support rollers without flange rings, with an inner ring	15.1	954
JM 7382..	Metric single row tapered roller bearings	8.1	694	NA 48..	Needle roller bearings with machined rings with flanges, with an inner ring	7.4	636
JM 8220..	Metric single row tapered roller bearings	8.1	694	NA 49..	Needle roller bearings with machined rings with flanges, with an inner ring	7.4	636
K ..	Needle roller and cage assemblies	7.1	614	NA 69..	Needle roller bearings with machined rings with flanges, with an inner ring	7.4	636
K 811..	Cylindrical roller and cage thrust assembly	11.1	888	NATR ..	Support rollers with flange rings, with an inner ring	15.2	956
K 812..	Cylindrical roller and cage thrust assembly	11.1	888	NATV ..	Support rollers with flange rings, with an inner ring and a full complement of needle rollers	15.2	956
K 893..	Cylindrical roller and cage thrust assembly	11.1	888	NCF 18.. V	Single row full complement cylindrical roller bearings	6.3	554
K 894..	Cylindrical roller and cage thrust assembly	11.1	888	NCF 22.. ECJB	High-capacity cylindrical roller bearings	6.2	550
KM ..	Lock nuts	25.1	1104	NCF 22.. V	Single row full complement cylindrical roller bearings	6.3	554
KMFE ..	Lock nuts with a locking screw	25.5	1108	NCF 23.. ECJB	High-capacity cylindrical roller bearings	6.2	550
KML ..	Lock nuts	25.1	1104	NCF 28.. V	Single row full complement cylindrical roller bearings	6.3	554
KMT ..	Precision lock nuts with locking pins	25.6	1114	NCF 29.. CV	Single row full complement cylindrical roller bearings	6.3	554
KMTA ..	Precision lock nuts with locking pins	25.7	1116	NCF 29.. V	Single row full complement cylindrical roller bearings	6.3	554
KR ..	Cam followers	16.1	978	NCF 30.. CV	Single row full complement cylindrical roller bearings	6.3	554
KRE ..	Cam followers with an eccentric collar	16.1	978	NCF 30.. V	Single row full complement cylindrical roller bearings	6.3	554
KRV ..	Cam followers with a full complement of needle rollers	16.1	978	NJ 10..	Single row cylindrical roller bearings	6.1	516
L 3..	Inch single row tapered roller bearings	8.2	714	NJ 18..	Single row cylindrical roller bearings	6.1	516
L 4..	Inch single row tapered roller bearings	8.2	714	NJ 2..	Single row cylindrical roller bearings	6.1	516
L 5..	Inch single row tapered roller bearings	8.2	714	NJ 22..	Single row cylindrical roller bearings	6.1	516
L 681..	Inch single row tapered roller bearings	8.2	714	NJ 23..	Single row cylindrical roller bearings	6.1	516
L 8..	Inch single row tapered roller bearings	8.2	714	NJ 28..	Single row cylindrical roller bearings	6.1	516
LL 639..	Inch single row tapered roller bearings	8.2	714	NJ 29..	Single row cylindrical roller bearings	6.1	516
LM ..	Inch single row tapered roller bearings	8.2	714	NJ 3..	Single row cylindrical roller bearings	6.1	516
LR ..	Needle roller bearing inner rings	7.11	660	NJ 4..	Single row cylindrical roller bearings	6.1	516
LS ..	Universal washers for cylindrical roller thrust bearings	11.1	888	NJG 23.. VH	Single row full complement cylindrical roller bearings	6.3	554

* Starting page of the product table.

Designation	Product	Product table		Designation	Product	Product table	
		No.	Page*			No.	Page*
NJG 3.. VH	Single row full complement cylindrical roller bearings	6.3	554	NUH 22.. ECMH	High-capacity cylindrical roller bearings	6.2	550
NK ..	Needle roller bearings with machined rings with flanges, without an inner ring	7.3	624	NUH 23.. ECMH	High-capacity cylindrical roller bearings	6.2	550
NKI ..	Needle roller bearings with machined rings with flanges, with an inner ring	7.4	636	NUKR ..	Cam followers	16.1	978
NKIA 59..	Needle roller / angular contact ball bearings	7.7	652	NUKRE ..	Cam followers with an eccentric collar	16.1	978
NKIB 59..	Needle roller / angular contact ball bearings	7.7	652	NUP 10..	Single row cylindrical roller bearings	6.1	516
NKIS ..	Needle roller bearings with machined rings with flanges, with an inner ring	7.4	636	NUP 18..	Single row cylindrical roller bearings	6.1	516
NKS ..	Needle roller bearings with machined rings with flanges, without an inner ring	7.3	624	NUP 2..	Single row cylindrical roller bearings	6.1	516
NKX ..	Needle roller / thrust ball bearings, thrust bearing with a cage	7.9	656	NUP 22..	Single row cylindrical roller bearings	6.1	516
NKXR ..	Needle roller / cylindrical roller thrust bearings	7.10	658	NUP 23..	Single row cylindrical roller bearings	6.1	516
NNC 48.. CV	Double row full complement cylindrical roller bearings	6.4	564	NUP 29..	Single row cylindrical roller bearings	6.1	516
NNC 49.. CV	Double row full complement cylindrical roller bearings	6.4	564	NUP 3..	Single row cylindrical roller bearings	6.1	516
NNCF 48.. CV	Double row full complement cylindrical roller bearings	6.4	564	NUP 39..	Single row cylindrical roller bearings	6.1	516
NNCF 49.. CV	Double row full complement cylindrical roller bearings	6.4	564	NUPTR ..	Support rollers with flange rings, with an inner ring	15.2	956
NNCF 50.. CV	Double row full complement cylindrical roller bearings	6.4	564	NX ..	Needle roller / thrust ball bearings, full complement thrust bearing	7.8	654
NNCL 48.. CV	Double row full complement cylindrical roller bearings	6.4	564	OH 30..	Adapter sleeves for oil injection, metric shafts	23.1	1072
NNCL 49.. CV	Double row full complement cylindrical roller bearings	6.4	564	OH 31..	Adapter sleeves for oil injection, metric shafts	23.1	1072
NNF 50.. ADB-2LSV	Sealed double row full complement cylindrical roller bearings	6.5	576	OH 32..	Adapter sleeves for oil injection, metric shafts	23.1	1072
NNF 50.. B-2LS	Sealed double row full complement cylindrical roller bearings	6.5	576	PNA ..	Alignment needle roller bearings, with an inner ring	7.6	650
NU 10..	Single row cylindrical roller bearings	6.1	516	PWKR ...2RS	Sealed cam followers	16.1	978
NU 10../C3VL0241	INSOCOAT single row cylindrical roller bearings	20.2	1038	PWTR ...2RS	Sealed support rollers with flange rings, with an inner ring	15.2	956
NU 10../C3VL2071	INSOCOAT single row cylindrical roller bearings	20.2	1038	QJ 2..	Four-point contact ball bearings	3.4	430
NU 10../HC5	Hybrid single row cylindrical roller bearings	21.2	1056	QJ 3..	Four-point contact ball bearings	3.4	430
NU 12..	Single row cylindrical roller bearings	6.1	516	RNA 48.	Needle roller bearings with machined rings with flanges, without an inner ring	7.3	624
NU 18..	Single row cylindrical roller bearings	6.1	516	RNA 49..	Needle roller bearings with machined rings with flanges, without an inner ring	7.3	624
NU 19..	Single row cylindrical roller bearings	6.1	516	RNA 69..	Needle roller bearings with machined rings with flanges, without an inner ring	7.3	624
NU 2..	Single row cylindrical roller bearings	6.1	516	RPNA ..	Alignment needle roller bearings, without an inner ring	7.5	648
NU 2../C3VL0241	INSOCOAT single row cylindrical roller bearings	20.2	1038	SNP ..	Adapter sleeves with inch dimensions	23.2	1076
NU 2../C3VL2071	INSOCOAT single row cylindrical roller bearings	20.2	1038	SNP 30..	Adapter sleeves with inch dimensions	23.2	1076
NU 2../HC5	Hybrid single row cylindrical roller bearings	21.2	1056	SNP 31..	Adapter sleeves with inch dimensions	23.2	1076
NU 20..	Single row cylindrical roller bearings	6.1	516	SNP 32..	Adapter sleeves with inch dimensions	23.2	1076
NU 22..	Single row cylindrical roller bearings	6.1	516	SNW ..	Adapter sleeves with inch dimensions	23.2	1076
NU 23..	Single row cylindrical roller bearings	6.1	516	SNW 30..	Adapter sleeves with inch dimensions	23.2	1076
NU 28..	Single row cylindrical roller bearings	6.1	516	SNW 31..	Adapter sleeves with inch dimensions	23.2	1076
NU 29..	Single row cylindrical roller bearings	6.1	516	STO ..	Support rollers without flange rings, with an inner ring	15.1	954
NU 3..	Single row cylindrical roller bearings	6.1	516	T2DC ..	Metric single row tapered roller bearings	8.1	694
NU 3../C3VL0241	INSOCOAT single row cylindrical roller bearings	20.2	1038	T2DD ..	Metric single row tapered roller bearings	8.1	694
NU 3../C3VL2071	INSOCOAT single row cylindrical roller bearings	20.2	1038	T2ED ..	Metric single row tapered roller bearings	8.1	694
NU 3../HC5	Hybrid single row cylindrical roller bearings	21.2	1056	T2EE ..	Metric single row tapered roller bearings	8.1	694
NU 30..	Single row cylindrical roller bearings	6.1	516	T3FE ..	Metric single row tapered roller bearings	8.1	694
NU 31..	Single row cylindrical roller bearings	6.1	516	T4CB ..	Metric single row tapered roller bearings	8.1	694
NU 39..	Single row cylindrical roller bearings	6.1	516	T4DB ..	Metric single row tapered roller bearings	8.1	694
NU 4..	Single row cylindrical roller bearings	6.1	516	T4EB ..	Metric single row tapered roller bearings	8.1	694
				T4EE ..	Metric single row tapered roller bearings	8.1	694
				T7FC ..	Metric single row tapered roller bearings	8.1	694

* Starting page of the product table.

Designation	Product	Product table		Designation	Product	Product table	
		No.	Page*			No.	Page*
T7FC../DT	Matched tapered roller bearings arranged in tandem	8.6	760	YAR 2..-2RFGR/HV	Stainless steel insert bearings with grub screws and a lubrication groove in the outside surface, inch shafts	2.2	368
W 60..	Stainless steel deep groove ball bearings	1.4	316	YARAG 2..	Insert bearings with grub screws for agricultural applications, metric shafts	2.1	366
W 60..-2RS1	Sealed stainless steel deep groove ball bearings	1.4	316	YARAG 2..	Insert bearings with grub screws for agricultural applications, inch shafts	2.2	368
W 60..-2Z	Shielded stainless steel deep groove ball bearings	1.4	316	YAT 2..	Insert bearings with grub screws, metric shafts	2.1	366
W 61..	Stainless steel deep groove ball bearings	1.4	316	YAT 2..	Insert bearings with grub screws, inch shafts	2.2	368
W 618..-2RS1	Sealed stainless steel deep groove ball bearings	1.4	316	YEL 2..-2F	Insert bearings with an eccentric locking collar, metric shafts	2.3	372
W 618..-2Z	Shielded stainless steel deep groove ball bearings	1.4	316	YEL 2..-2F	Insert bearings with an eccentric locking collar, inch shafts	2.4	374
W 619..-2RS1	Sealed stainless steel deep groove ball bearings	1.4	316	YEL 2..-2RF	Insert bearings with an eccentric locking collar, metric shafts	2.3	372
W 619..-2Z	Shielded stainless steel deep groove ball bearings	1.4	316	YELAG 2..	Insert bearings with an eccentric locking collar for agricultural applications, metric shafts	2.3	372
W 62..	Stainless steel deep groove ball bearings	1.4	316	YELAG 2..	Insert bearings with an eccentric locking collar for agricultural applications, inch shafts	2.4	374
W 62..-2RS1	Sealed stainless steel deep groove ball bearings	1.4	316	YET 2..	Insert bearings with an eccentric locking collar, metric shafts	2.3	372
W 62..-2Z	Shielded stainless steel deep groove ball bearings	1.4	316	YET 2..	Insert bearings with an eccentric locking collar, inch shafts	2.4	374
W 62..-2ZS	Shielded stainless steel deep groove ball bearings	1.4	316	YSA 2..-2FK	Insert bearings with a tapered bore on an adapter sleeve, metric shafts	2.7	378
W 63..	Stainless steel deep groove ball bearings	1.4	316	YSA 2..-2FK	Insert bearings with a tapered bore on an adapter sleeve, inch shafts	2.8	378
W 63..-2RS1	Sealed stainless steel deep groove ball bearings	1.4	316	YSP 2.. SB-2F	SKF ConCentra insert bearings, metric shafts	2.5	376
W 63..-2Z	Shielded stainless steel deep groove ball bearings	1.4	316	YSP 2.. SB-2F	SKF ConCentra insert bearings, inch shafts	2.6	377
WS 811..	Shaft washers for cylindrical roller thrust bearings	11.1	888	YSPAG 2..	SKF ConCentra insert bearings for agricultural applications, metric shafts	2.5	376
WS 811..	Shaft washers for needle roller and cage thrust assemblies	12.1	906	YSPAG 2..	SKF ConCentra insert bearings for agricultural applications, inch shafts	2.6	377
WS 811..	Shaft washers for needle roller and cage thrust assemblies with a centring flange	12.2	910				
WS 812..	Shaft washers for cylindrical roller thrust bearings	11.1	888				
WS 893..	Shaft washers for cylindrical roller thrust bearings	11.1	888				
WS 894..	Shaft washers for cylindrical roller thrust bearings	11.1	888				
YAR 2..-2F	Insert bearings with grub screws, metric shafts	2.1	366				
YAR 2..-2F	Insert bearings with grub screws, inch shafts	2.2	368				
YAR 2..-2FW/VA201	Insert bearings for high temperature applications, metric shafts	18.2	1020				
YAR 2..-2FW/VA201	Insert bearings for high temperature applications, inch shafts	18.3	1021				
YAR 2..-2FW/VA228	Insert bearings for high temperature applications, metric shafts	18.2	1020				
YAR 2..-2FW/VA228	Insert bearings for high temperature applications, inch shafts	18.3	1021				
YAR 2..-2RF	Insert bearings with grub screws, metric shafts	2.1	366				
YAR 2..-2RF	Insert bearings with grub screws, inch shafts	2.2	368				
YAR 2..-2RF/HV	Stainless steel insert bearings with grub screws, metric shafts	2.1	366				
YAR 2..-2RF/HV	Stainless steel insert bearings with grub screws, inch shafts	2.2	368				
YAR 2..-2RF/VE495	Insert bearings with grub screws for the food industry, metric shafts	2.1	366				
YAR 2..-2RF/VE495	Insert bearings with grub screws for the food industry, inch shafts	2.2	368				
YAR 2..-2RFGR/HV	Stainless steel insert bearings with grub screws and a lubrication groove in the outside surface, metric shafts	2.1	366				

* Starting page of the product table.

Application data sheet

General information

Company name

Contact name

Telephone number

Subject / reference

E-mail address

Date

Type of request

New development Design verification Problem solving

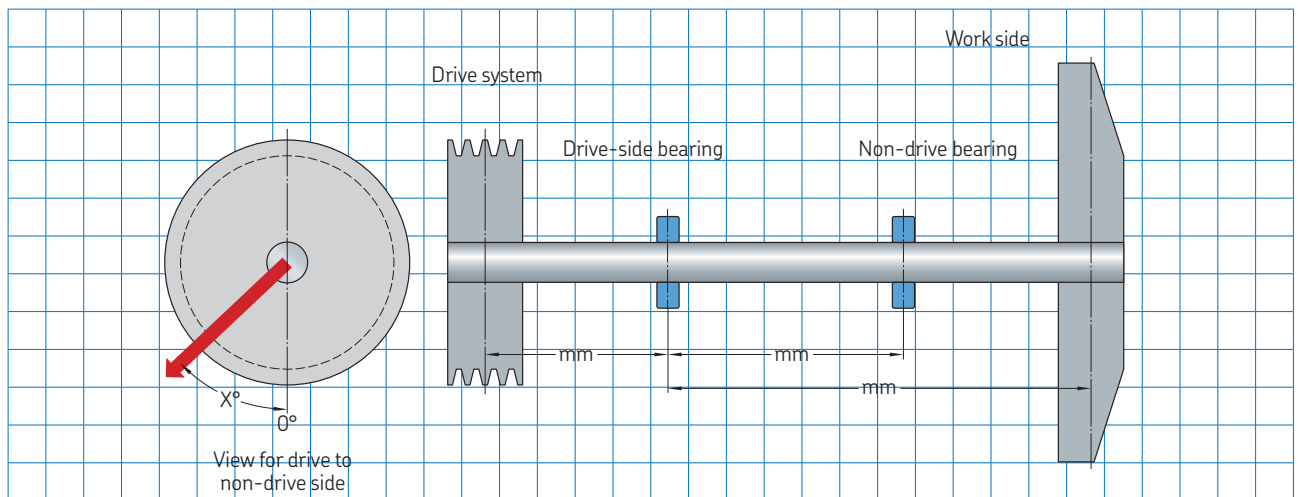
Other

Application

Description

Continuous Not continuous, hours a day h/day

Sketch: For example, of an industrial bearing arrangement



For a different configuration, please add an assembly drawing with corresponding distance of the different components and orientation of the load.

Loads

For a single bearing only:

Radial load kN

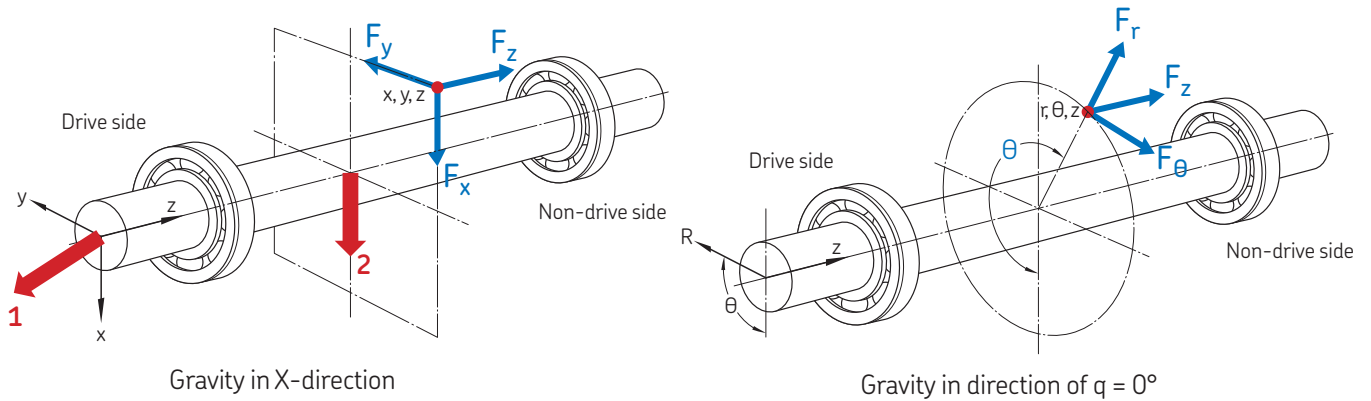
Axial load kN

For a shaft and bearings:

Select one of the coordinates system below the loads on the shaft.

Cartesian coordinates

Polar coordinates



Loads	Position			External loads		
	X/r mm	Y/θ mm/°	Z mm	F _x /F _r kN	F _x /F _r kN	F _x /F _r kN
1						
2						

* Supply information for additional loads in a separate document.

Peak load kN

Alternating load kN

Moment load kN

If load and/or speed change over time, provide details of the load/speed cycle.

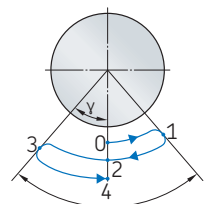
Speed

Drive system

Power	<input type="text"/>	kW	
<input type="checkbox"/> White coupling			
Type of coupling	<input type="text"/>		
Weight of coupling	<input type="text"/>	N	
<input type="checkbox"/> With belt drive			
Type of belt	<input type="text"/>		
Weight of pulley	<input type="text"/>	N	
Pitch diameter of pulley	<input type="text"/>	mm	
Direction of tension θ	<input type="text"/>	°	
<input type="checkbox"/> With gears (spur or helical)			
Nominal pressure angle α_n	<input type="text"/>	°	
Helix angle β	<input type="text"/>	°	
Module m_n	<input type="text"/>	mm	
Number of teeth pinion z_1	<input type="text"/>	°	
Number of teeth wheel z_2	<input type="text"/>		
Centre distance pinion/wheel	<input type="text"/>	mm	
Gear	<input type="radio"/> driving	<input type="radio"/> driven	
Helix hand	<input type="radio"/> none	<input type="radio"/> left-hand	<input type="radio"/> right-hand
Rotation	<input type="radio"/> clockwise	<input type="radio"/> counter-clockwise	

Oscillating application

Oscillating angle β	<input type="text"/>	°
Frequency f	<input type="text"/>	min ⁻¹
Period t	<input type="text"/>	seconds
Alternating load direction	<input type="checkbox"/>	
Alternating load freq	<input type="text"/>	min ⁻¹



If load and/or speed change over time, provide details of the load/speed cycle.

Life requirement	<input type="text"/>	h
------------------	----------------------	---

Bearing

For a single bearing, provide details for the drive side only.

	Drive side			Non-drive side		
Bearing part number						
Locating bearing	<input type="radio"/>			<input type="radio"/>		
Operating temperature		/	°C		/	°C
	<i>Inner ring</i>		<i>Outer ring</i>	<i>Inner ring</i>		<i>Outer ring</i>
Temperature range	min.		°C	max.		°C

Bearing interface

	Drive side	Non-drive side
Shaft material		
Housing material		
Tolerance shaft		
Tolerance housing		

Lubrication

Lubrication system

Grease lubrication

Grease type (part number)

Relubrication interval

 h

Relubrication quantity

 g

Shaft orientation

Horizontal Vertical

Rotating ring

Inner ring Outer ring

Oil lubrication

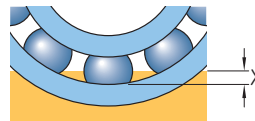
Oil type (part number)

Oil bath

Oil bath temperature

 °C

Oil level at standstill (x)

 mm


Oil circulation

Oil temperature at sump

 °C

Oil flow

 l/mm

Sealing

Grease lubrication

External sealing

Seal bore diameter mm

Seal outer diameter mm

Seal width mm

Medium to be sealed

Internal

External

Pressure bar

Add any other requirements for seals.

Environment

Ambient temperature

Yes No

Comments

Contamination

Humidity/Moisture

External heat source

Cooling

Other

